

95Ti Treadmill - 4HP AC - Lifepulse - Arctric Silver

95T-0101-03

Parts Manual

1/5/2019 10:31:53 AM

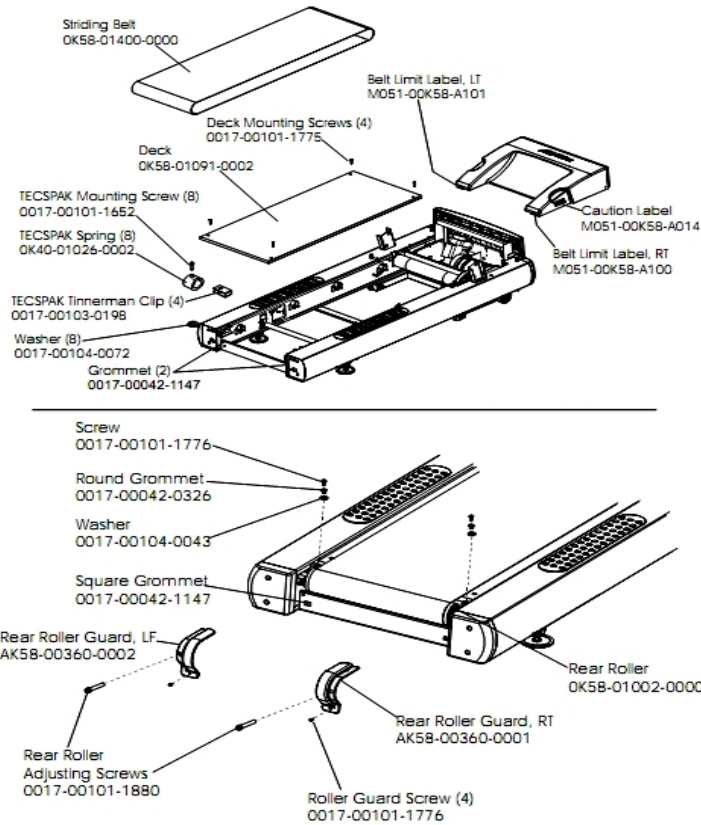


Lifefitness
WHAT WE LIVE FOR

Table of Contents

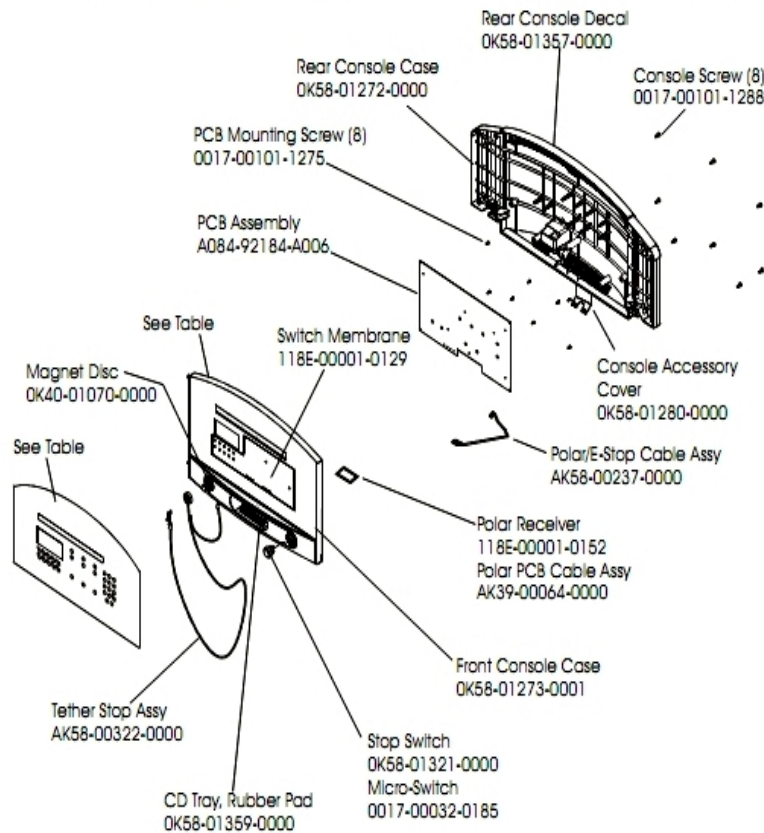
Belt, Deck and Rear Rollers.....	3
Console and Related Components.....	4
Drive Motor Assembly.....	5
Ergo Bar with Lifepulse.....	6
Front Roller Assembly.....	7
Idler Arm and Static Brush.....	8
Lever Assembly.....	9
Lift Frame and Lift Motor.....	10
Motor Controller Assembly.....	11
Motor Cover, Front Cover and Front End Caps.....	12
Power Components Schematic.....	13
Rear End Caps and Cup Holders.....	14
References.....	15
Scuff Pad, Tinsel and Frame Tag Board.....	16
Uprights, Handrails and Ergo Bar.....	17
Wax/Lift Assembly.....	19
Wax/Lift Power Supply.....	20

Belt, Deck and Rear Rollers



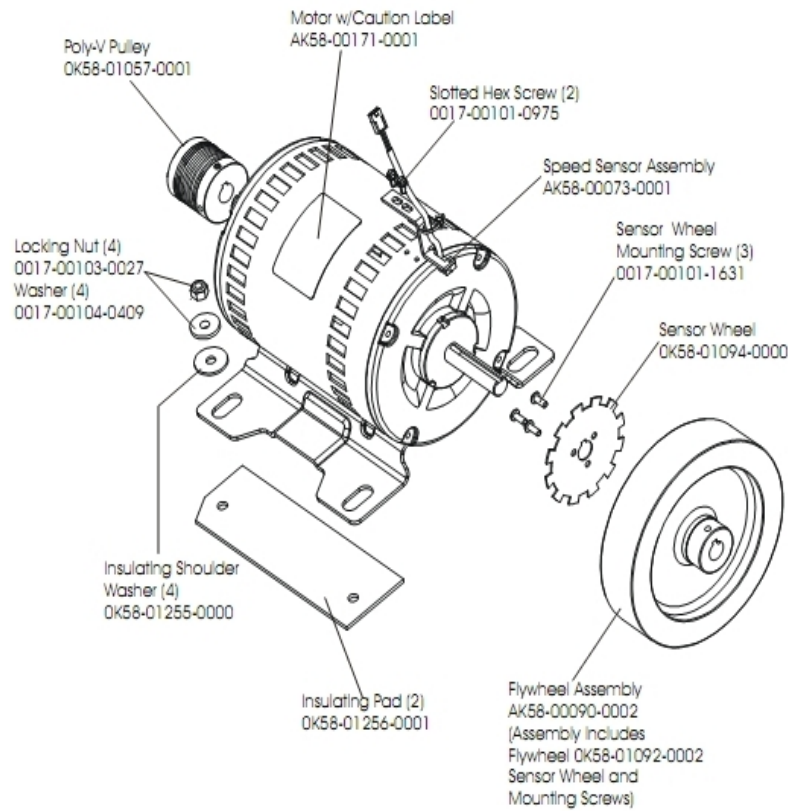
Ref #	Part Number	Qty	Description
-	0017-00103-0198	4	Hardware: Tinnerman Clip 1/4" ID
-	M051-00K58-A101	1	Belt Limit Label. Left
-	0K40-01026-0002	8	Deck Spring
-	0K65-01263-0000	1	Deck
-	M051-00K58-A100	1	Label: Belt Limit: Right
-	0017-00104-0072	8	Hardware: Flat Washer 0.562" OD
-	0K58-01400-0000	1	Striding Belt
-	0017-00104-0043	2	Hardware: Flat Washer 0.734" OD
-	0K58-01002-0000	1	Rear Roller - 3.5"
-	0K58-01390-0002	1	Rear Roller Guard Left
-	M051-00K58-A014	1	Label: Caution
-	0017-00042-0326	2	Hardware: Plastic Grommet
-	0017-00042-1147	4	Hardware: Nylon Grommet
-	0017-00101-1652	8	Hardware: Spring Mounting Screw 1"
-	0017-00101-1880	1	Hardware: Tension Bolts 3"
-	0K58-01390-0001	1	Rear Roller Guard Right
-	0017-00101-1776	6	Hardware: Mounting Screw 0.5"
-	0017-00101-1775	4	Hardware: Deck Screws 1.25"

Console and Related Components



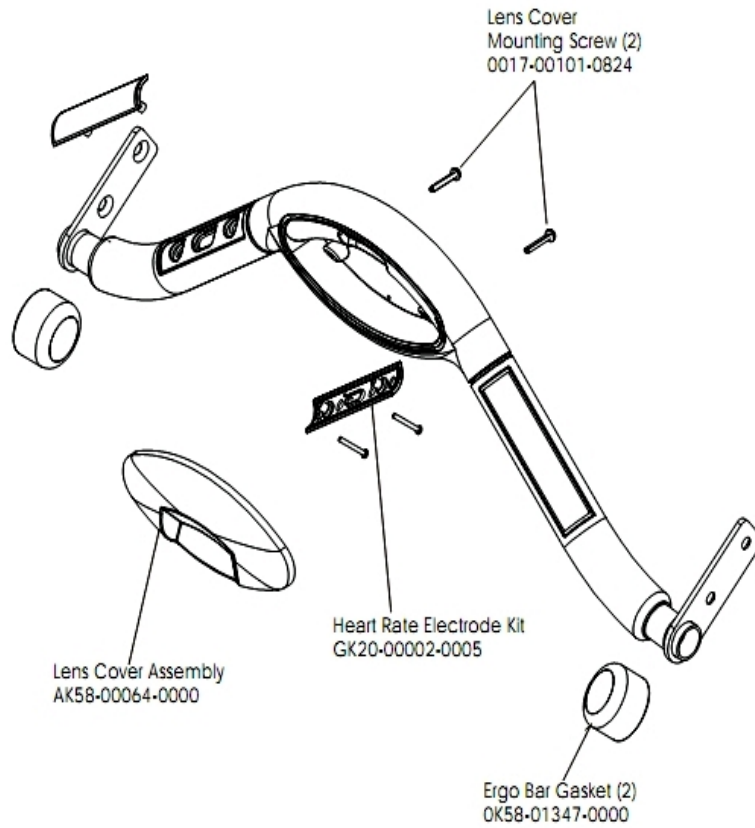
Ref #	Part Number	Qty	Description
-	OK58-01298-0001	1	Console English/Metric
-	OK58-01357-0000	1	Decal
-	118E-00001-0129	1	Switch Membrane
-	A084-92184-A006	1	PCB Assembly
-	OK58-01273-0001	1	Front Console Case
-	118E-00001-0244	1	Heart Rate Receiver
-	AK58-00237-0000	1	Cable-Assembly: Polar/E-Stop
-	AK58-00403-0001	1	Console: English/Metric
-	OK58-01359-0000	1	Rubber Pad
-	OK40-01070-0000	1	Magnetic Disk
-	118E-00001-0259	1	Wireless Receiver Module, Non-Coded
-	0017-00032-0185	1	Micro Switch 150GR
-	OK58-01280-0000	1	Accessory Cover
-	OK58-01272-0000	1	Rear Console Case
-	AK58-00203-0001	1	Overlay/Bezel Assembly English/Imperial
-	AK58-00322-0000	1	Tether Stop Assembly
-	0017-00101-1275	8	Hardware: Phillips Screw 0.375"
-	0017-00101-1288	8	Hardware: Phillips Screw 0.5"
-	OK58-01321-0000	1	Stop Switch

Drive Motor Assembly



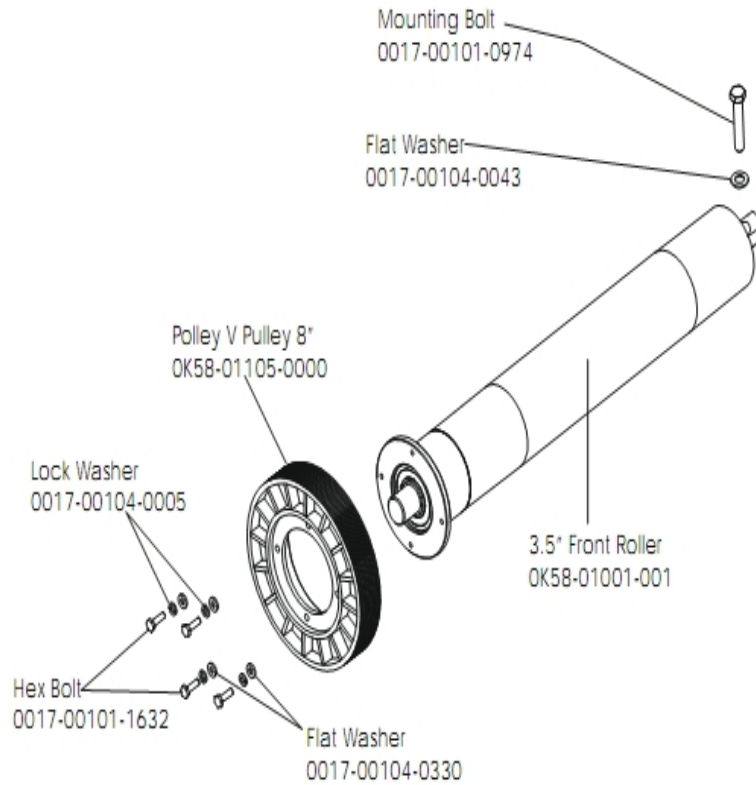
Ref #	Part Number	Qty	Description
-	AK58-00171-0001	1	Drive Motor Assembly
-	0017-00101-0975	2	Hardware: Mounting Bolt 0.375"
-	0017-00103-0027	4	Hardware: Locking Nut. 5/16" ID
-	OK58-01057-0001	1	Drive Pulley - 1.971"
-	OK58-01255-0000	4	Hardware: Insulating Washers
-	OK58-01256-0001	2	Insulating Pad
-	OK58-01094-0000	1	Sensor Wheel
-	AK58-00090-0002	1	Flywheel Assembly
-	0017-00101-1631	3	Hardware: Sensor Wheel Mounting Screw
-	0017-00104-0409	4	Hardware: Washer 1.125" OD
-	AK58-00073-0001	1	Speed Sensor Assembly

Ergo Bar with Lifepulse



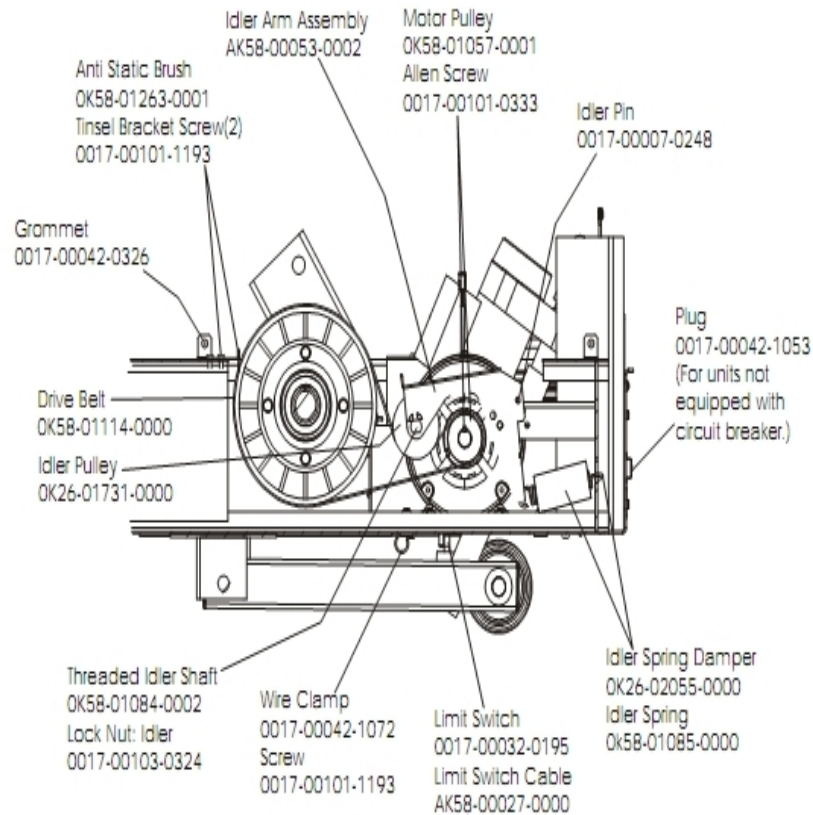
Ref #	Part Number	Qty	Description
-	AK58-00064-0000	1	I/R Lens Cover Assembly
-	0017-00101-0824	2	Hardware: Screw 1.125"
-	OK58-01347-0000	2	ErgoBar Gasket
-	GK20-00002-0005	1	Heart Rate Electrode Kit

Front Roller Assembly



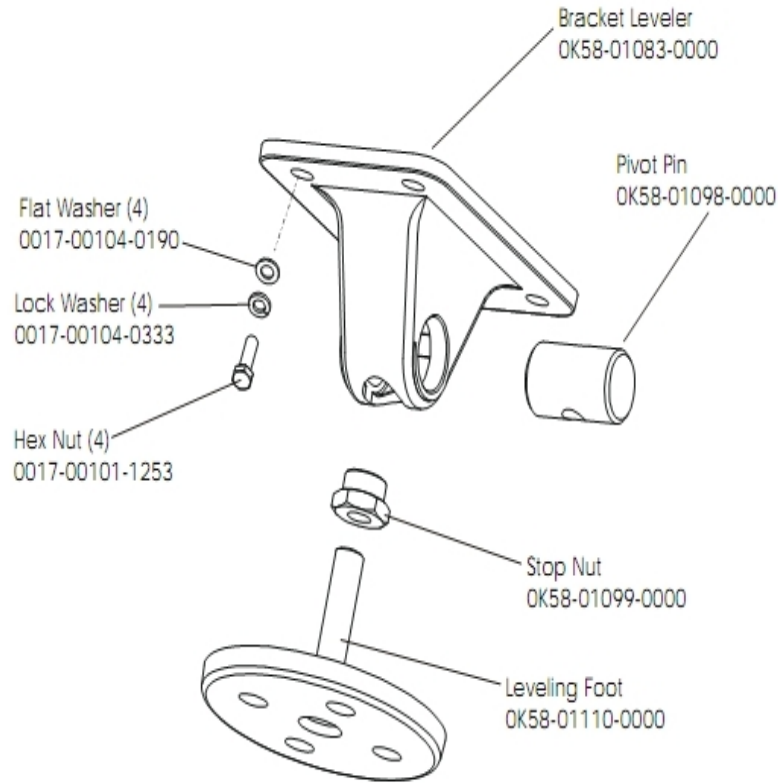
Ref #	Part Number	Qty	Description
-	0017-00101-0974	1	Hardware: Mounting Bolt 2"
-	0017-00104-0043	1	Hardware: Flat Washer 0.734" OD
-	0017-00104-0005	4	Hardware: Lock Washer 0.489" OD
-	OK58-01001-0001	1	Front Roller - 3.5"
-	AK58-00066-0000	1	Front Roller Assembly
-	0017-00101-1632	4	Hardware: Hex Bolt 0.875"
-	OK58-01105-0000	1	Drive Pulley Poly V - 8"
-	0017-00104-0330	4	Hardware: Flat Washers 0.562" OD

Idler Arm and Static Brush



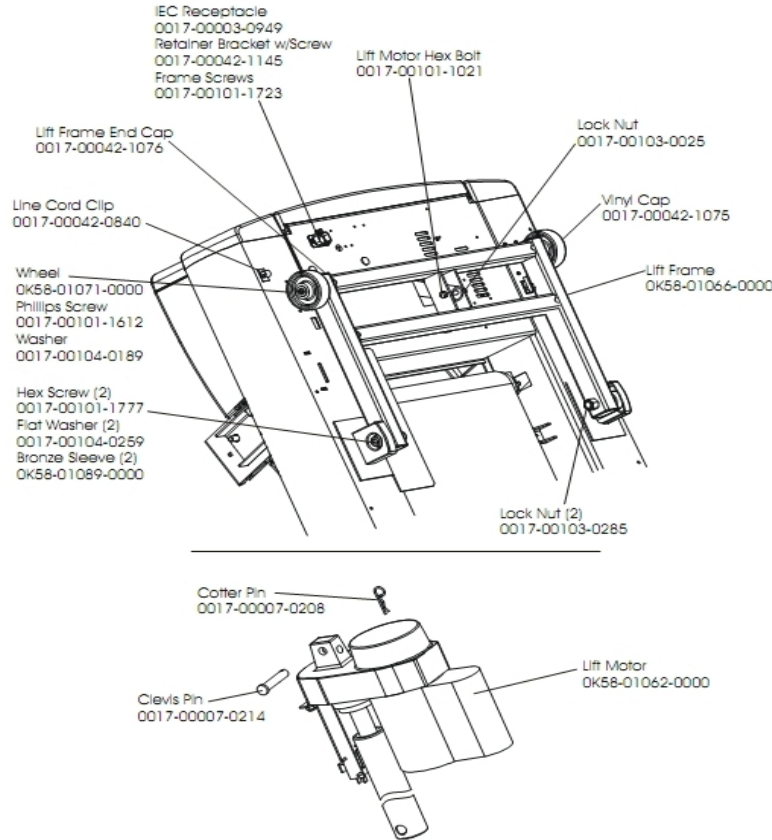
Ref #	Part Number	Qty	Description
-	OK58-01057-0001	1	Drive Pulley - 1.971"
-	0017-00101-0333	1	Hardware: Screw 0.3125"
-	0017-00103-0324	1	Hardware: Thin Lock Nut 3/8" ID
-	AK58-00027-0000	1	Limit Switch Cable
-	OK26-01731-0000	1	Plastic Idler 2 5/8" OD
-	OK26-02055-0000	1	Spring Damper
-	0017-00032-0195	1	Home Switch
-	0017-00042-1072	1	Hardware: Wire Clamp - 5/8"
-	OK58-01084-0002	1	Threaded Shaft
-	OK58-01114-0000	1	Poly-V Drive Belt - 370J12
-	0017-00007-0248	1	Hardware: Locking Pin .31" D 2.125" L
-	0017-00042-0326	1	Hardware: Plastic Grommet
-	0017-00101-1193	3	Hardware: Screw 0.375"
-	OK58-01263-0001	1	Tinsel Bracket
-	OK58-01085-0000	1	Extension Spring
-	AK58-00053-0002	1	Idler Arm Assembly
-	0017-00042-1053	1	Plug (For units not equipped with circuit breaker.)

Lever Assembly



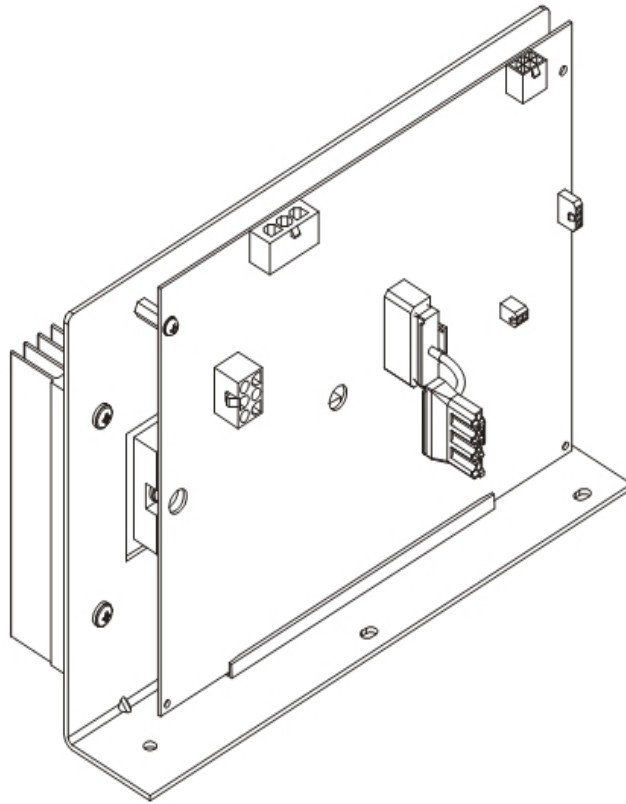
Ref #	Part Number	Qty	Description
-	OK58-01099-0000	1	Hardware: Stop Nut
-	0017-00104-0190	4	Hardware: Flat Washer 0.734" OD
-	AK58-00370-0000	4	Leveler Assembly
-	OK58-01083-0000	1	Leveler Bracket
-	OK58-01110-0000	1	Leveler Foot
-	0017-00104-0333	4	Hardware: Washer 0.683" OD
-	0017-00101-1253	4	Hardware: Screw
-	OK58-01098-0000	1	Hardware: Pivot Pin

Lift Frame and Lift Motor



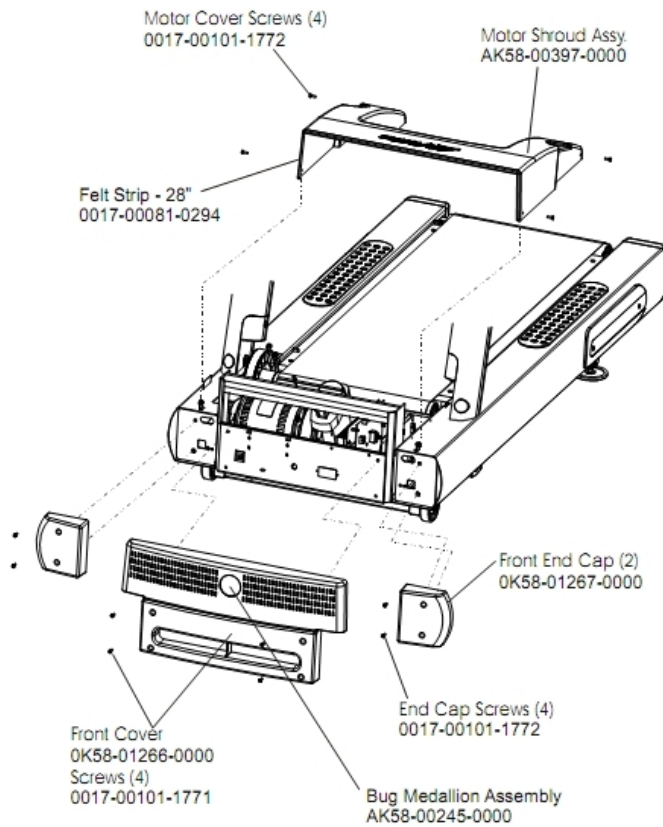
Ref #	Part Number	Qty	Description
-	0017-00042-1076	4	Lift Frame End Cap
-	0017-00103-0285	2	Hardware: Nut 5/8" ID
-	0017-00101-1723	1	Hardware: Phillips Pan Screw 0.375"
-	0017-00007-0208	2	Hardware: Cotter Pin
-	0017-00101-1777	2	Hardware: Lift Frame Mounting Bolt 2.75"
-	0017-00104-0189	2	Hardware: Flat Washer 1" OD
-	0017-00003-0949	1	IEC Receptacle
-	0017-00042-1145	1	Power Cord Retainer
-	0017-00101-1021	1	Hardware: Lift Motor Hex Bolt 2.5"
-	0017-00103-0025	1	Hardware: Locking Nut 3/8" ID
-	AK58-00220-0000	1	LIFT-FRAME ASSY: MFG. C
-	0K58-01062-0000	1	Lift Motor - 120/60
-	0K58-01089-0000	2	Bronze Sleeve Bushings
-	0017-00042-0840	1	Hardware: Push Mount Clip
-	0K58-01071-0000	2	Wheel
-	0017-00101-1612	1	Hardware: Phillips Screw 0.5"
-	0017-00042-1075	1	Vinyl Cap
-	0017-00104-0259	2	Hardware: Washer 1.331" OD
-	0017-00007-0214	2	Hardware: Clevis Pin 3/8" D 1.75" L

Motor Controller Assembly



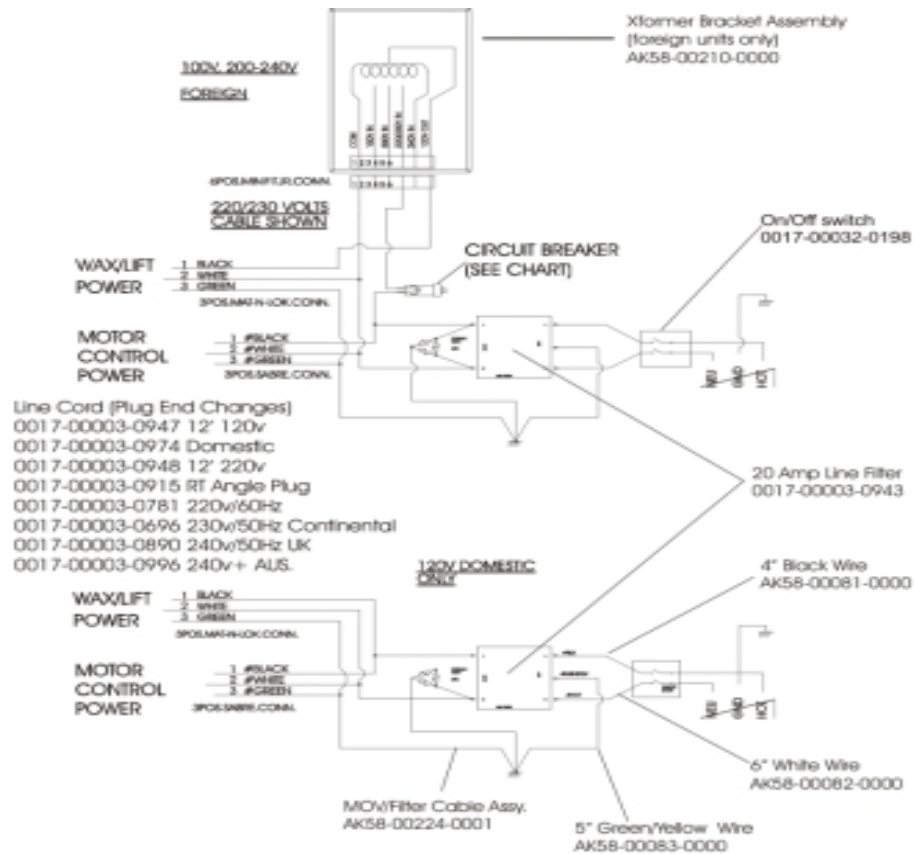
Ref #	Part Number	Qty	Description
-	GK65-00002-0019	1	Motor Controller Assembly (200-240V)

Motor Cover, Front Cover and Front End Caps



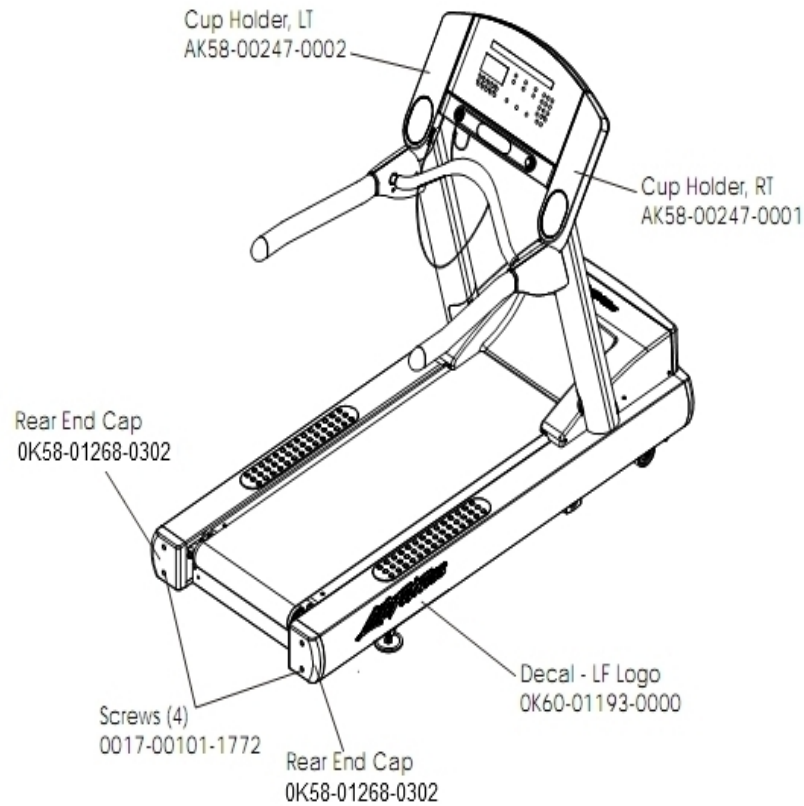
Ref #	Part Number	Qty	Description
-	0017-00101-1772	8	Hardware: Phillips Pan Screw 0.5"
-	AK58-00245-0000	1	Bug Medallion
-	0017-00081-0294	1	Felt Strip - 28"
-	0K58-01266-0000	1	Front Cover
-	0017-00101-1771	4	Hardware: Phillips Pan Screw
-	AK58-00397-0000	1	Motor Shroud
-	0K58-01267-0000	2	End Cap

Power Components Schematic



Ref #	Part Number	Qty	Description
-	0017-00003-0943	1	10 Amp Line Filter 230v or higher
-	0017-00003-0948	1	12' 220v Line Cord
-	AK58-00081-0000	1	Jumper Cable Assembly: Black - 4"
-	AK58-00224-0001	1	Cable: MOV; Fliter
-	0017-00003-0696	1	Line Cord: International High Voltage (Cont.) 103"
-	0017-00032-0198	1	On/Off Switch 22A
-	AK58-00210-0000	1	Transformer-Bracket Assembly
-	AK58-00082-0000	1	Jumper Cable Assembly: White - 6"
-	0017-00003-0915	1	Line Cord RT Angle Plug
-	AK58-00083-0000	1	Cable Assembly

Rear End Caps and Cup Holders

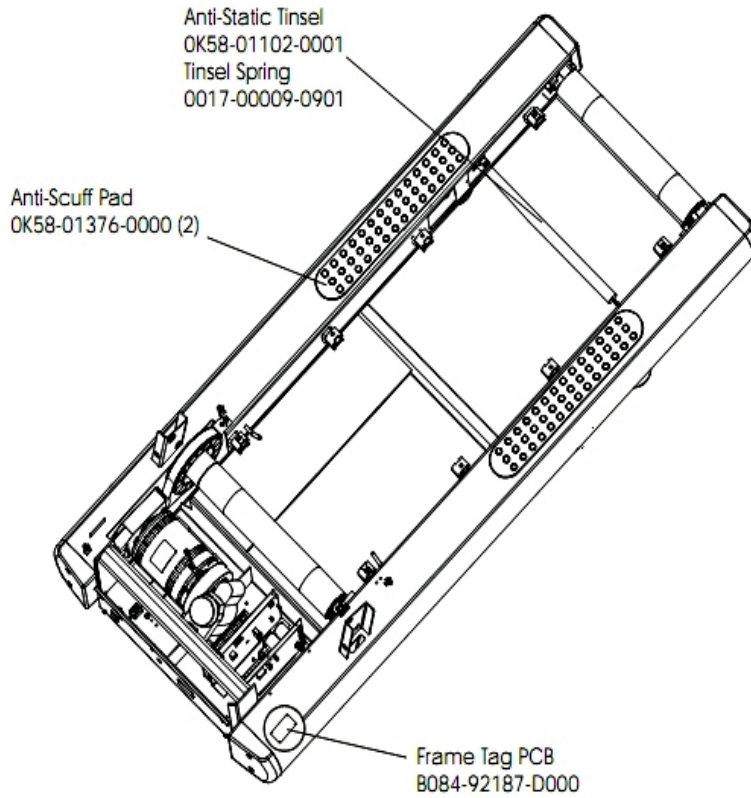


Ref #	Part Number	Qty	Description
-	OK60-01193-0000	1	Decal: LF Logo
-	AK58-00247-0002	1	Cup Holder Left
-	0017-00101-1772	4	Hardware: Phillips Pan Screw 0.5"
-	AK58-00247-0001	1	Cup Holder Right
-	OK58-01268-0302	2	ENDCAP: REAR; STEALTH D

References

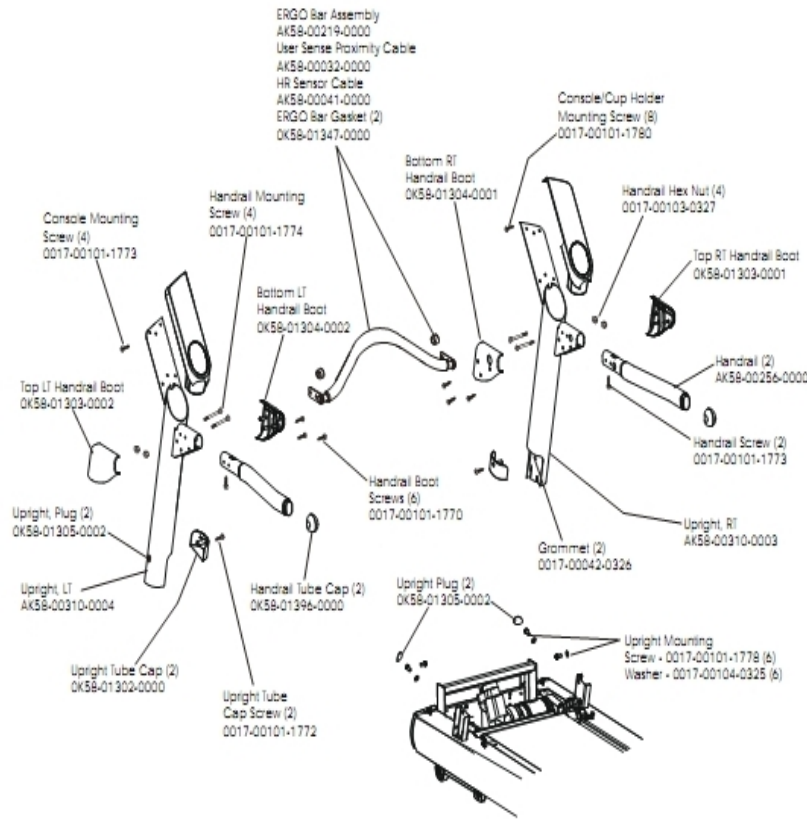
Ref #	Part Number	Qty	Description
-	AK58-00226-0000	1	Hardware Bag
-	0017-00008-0204	1	Paint Spray Can - Arctic Silver
-	0017-00008-0205	1	5 oz Bottle - Arctic Silver
-	0017-00008-0206	1	.33oz Pen - Arctic Silver

Scuff Pad, Tinsel and Frame Tag Board



Ref #	Part Number	Qty	Description
-	B084-92187-D000	1	Frame Tag PCB
-	OK58-01102-0001	1	Anti-Static Tinsel
-	0017-00009-0901	1	Tinsel Extension Spring
-	OK58-01376-0000	2	Anti-Scuff Pad

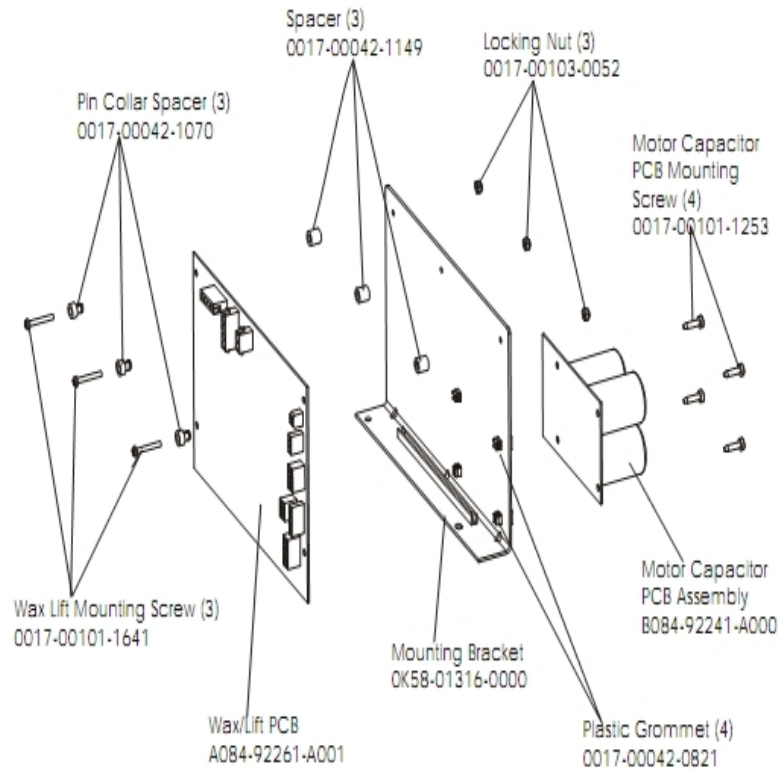
Uprights, Handrails and Ergo Bar



Ref #	Part Number	Qty	Description
-	0017-00101-1772	2	Hardware: Phillips Pan Screw 0.5"
-	AK58-00219-0000	1	Ergo Bar with Heart Rate Sensors
-	OK58-01304-0002	1	Bottom Left Handrail Boot
-	OK58-01304-0001	1	Bottom Right Handrail Boot
-	OK58-01303-0002	1	Top Left Handrail Boot
-	AK58-00041-0001	1	Heart Rate Sensor Cable
-	OK58-01396-0000	2	Endcap
-	0017-00101-1770	6	Hardware: Phillips Pan Screw 0.5"
-	0017-00101-1773	6	Hardware: TORX Screw 0.5"
-	OK58-01303-0001	1	Top Right Handrail Boot
-	0017-00104-0325	6	Hardware: Washer 0.873" OD
-	0017-00101-1780	8	Hardware: Mounting Screws
-	0017-00101-1774	4	Hardware: TORX Screw 2.5"
-	AK58-00311-0004	1	Upright: Left
-	AK58-00256-0001	2	Handrail
-	AK58-00032-0000	1	User Proximity Sensor Cable
-	OK58-01305-0002	4	Upright Plug
-	OK58-01302-0103	2	Cap: Upright Tube; Arctic Silver
-	0017-00103-0327	4	Hardware: Hex Nut 5/16" ID
-	0017-00042-0326	2	Hardware: Plastic Grommet
-	OK58-01347-0000	2	ErgoBar Gasket
-	0017-00101-1778	6	Hardware: Hex Bolt 1"

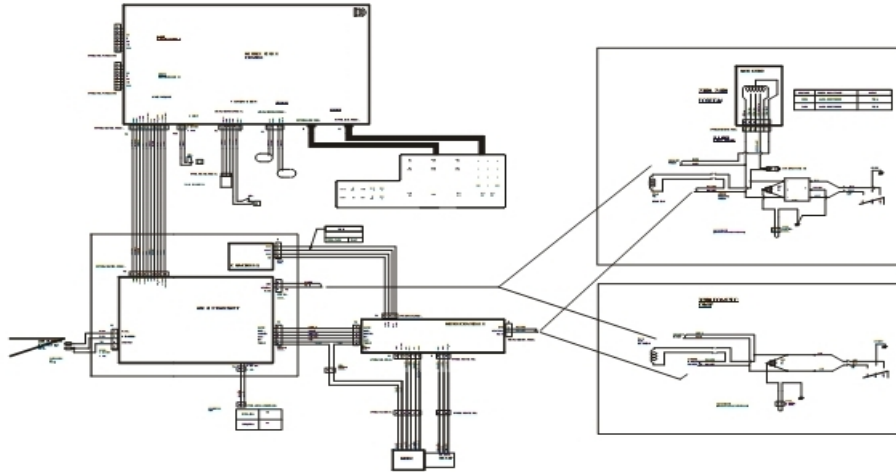
Ref #	Part Number	Qty	Description
-	AK58-00310-0003	1	Upright: Right

Wax/Lift Assembly



Ref #	Part Number	Qty	Description
-	0017-00101-1641	3	Hardware: Phillips Pan Screw
-	A084-92261-A001	1	Wax/Lift PCB
-	0017-00042-0821	4	Hardware: Plastic Grommet
-	B084-92241-A000	1	Motor Capacitor PCB Assembly
-	0017-00101-1253	4	Hardware: Screw
-	0017-00042-1149	3	Spacer
-	AK58-00243-0000	3	Wax/Lift Assembly
-	0017-00103-0052	3	Hardware: Locking Nut ID
-	0017-00042-1070	3	Pin Collar Spacer
-	OK58-01316-0000	1	Mounting Bracket

Wax/Lift Power Supply



Ref #	Part Number	Qty	Description
-	AK58-00379-0000	1	Power Cable: 230V

