

95Ti Treadmill - 4HP AC - Heart Rate

95T-0101-07

Parts Manual

1/5/2019 10:33:17 AM



LifeFitness
WHAT WE LIVE FOR

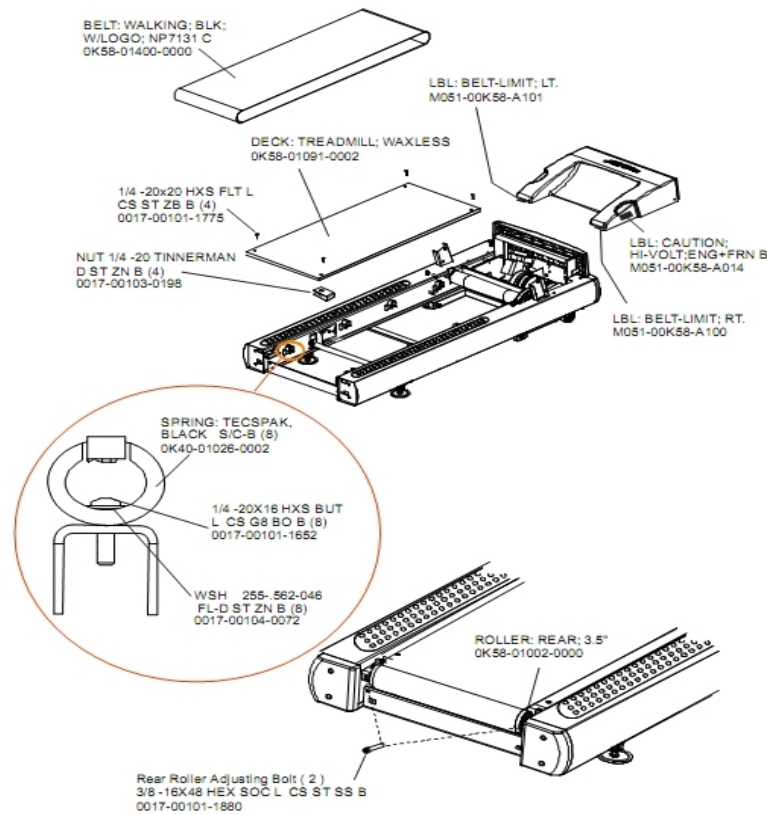
Table of Contents

A-Z Module with Overlay Assembly.....	3
Belt, Deck and Rear Rollers.....	4
Block Diagram - Console View.....	5
Block Diagram - Dsp View.....	6
Block Diagram - Line Filter View.....	7
Circuit Breaker, Line Cords and Line Cord Options.....	8
Console Components.....	9
Console, Overlay Assembly and Overlay.....	10
Contents.....	11
Drive Motor Assembly.....	12
DSP Controller Assembly.....	13
Ergo Bar, Heart Rate Sensors and Activity Zone.....	14
Front Roller Assembly.....	15
Idler Arm Assembly.....	16
Leg Leveler Assembly.....	17
Lift Frame, Lift Motor and IEC Receptacle.....	18
Motor Cover, Front Cover and Front End Caps.....	19
On/Off Switch, Access Plate and Grommets.....	20
Rear End Caps and Cup Holders.....	21
References.....	22
Scuff Pad and Tinsel.....	23
Stride Sensor and Stride Sensor PCB Assembly.....	24
Uprights and Handrails.....	25

A-Z Module with Overlay Assembly

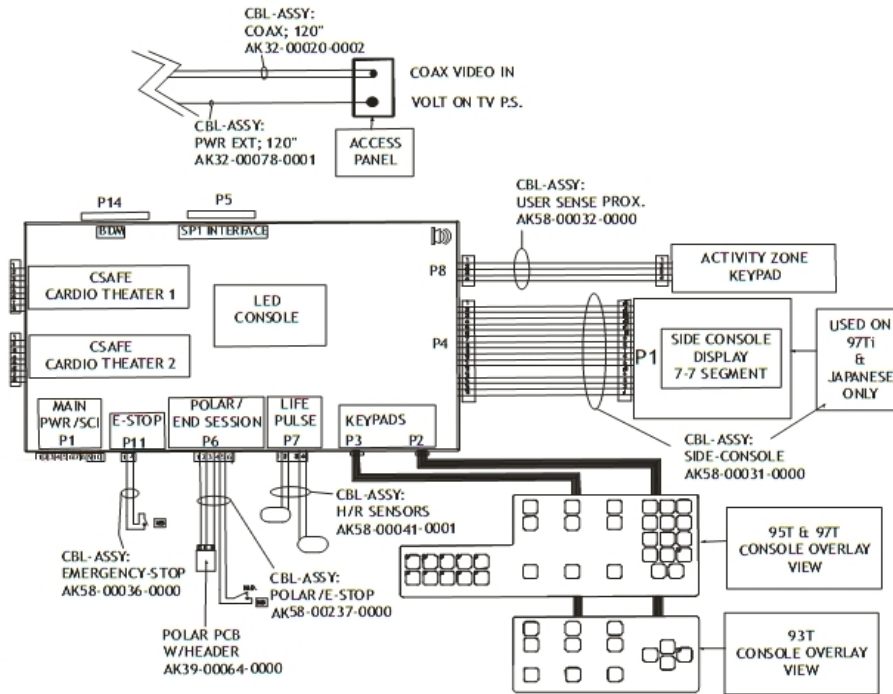
Ref #	Part Number	Qty	Description
-	AK58-00555-0002	1	Activity Zone Assembly: English/Metric
-	0K58-01459-0002	1	Activity Zone Overlay English/Metric

Belt, Deck and Rear Rollers



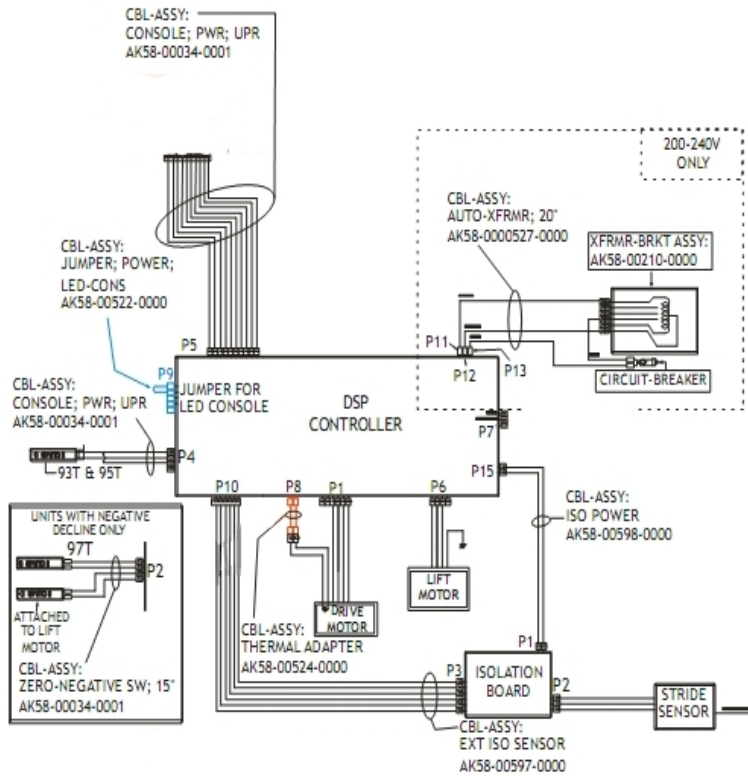
Ref #	Part Number	Qty	Description
-	0K58-01002-0000	1	Rear Roller - 3.5"
-	M051-00K58-A101	1	Belt Limit Label. Left
-	0K58-01400-0000	1	Striding Belt
-	0017-00104-0072	8	Hardware: Flat Washer 0.562" OD
-	0017-00101-1880	2	Hardware: Tension Bolts 3"
-	0K40-01026-0002	8	Deck Spring
-	0K65-01263-0000	1	Deck
-	M051-00K58-A100	1	Label: Belt Limit: Right
-	0017-00101-1652	8	Hardware: Spring Mounting Screw 1"
-	M051-00K58-A014	1	Label: Caution
-	0017-00101-1775	4	Hardware: Deck Screws 1.25"
-	0017-00103-0198	4	Hardware: Tinnerman Clip 1/4" ID

Block Diagram - Console View



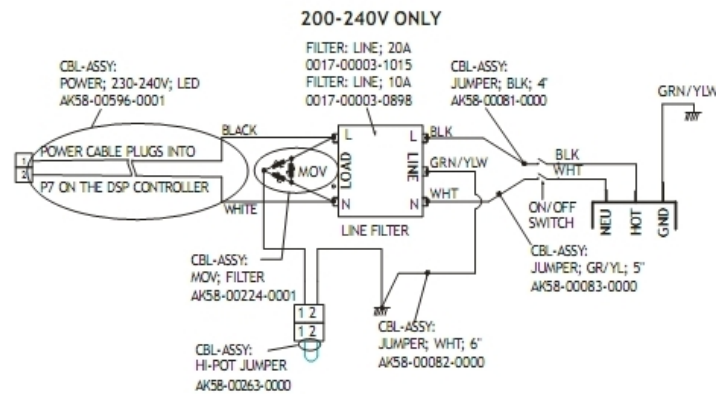
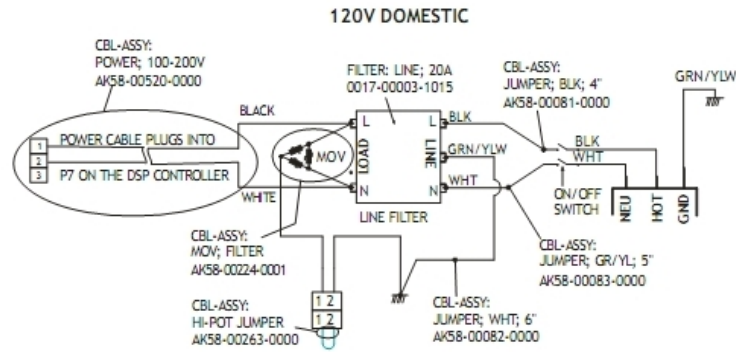
Ref #	Part Number	Qty	Description
-	118E-00001-0259	1	Wireless Receiver Module, Non-Coded
-	AK58-00032-0000	1	User Proximity Sensor Cable
-	AK32-00020-0002	1	Coax Cable: 120"
-	AK58-00237-0000	1	Cable-Assembly: Polar/E-Stop
-	AK58-00041-0001	1	Heart Rate Sensor Cable
-	AK58-00031-0000	1	Side Console Cable Assembly
-	AK32-00078-0001	1	Power Extension Cable: 120"
-	AK58-00036-0000	1	Cable-Assembly: Emergency-Stop Switch

Block Diagram - Dsp View



Ref #	Part Number	Qty	Description
-	AK58-00527-0000	1	Auto-Transformer: Use on High Voltage
-	AK58-00522-0000	1	Cable: Jumper; Power; LED Console
-	AK58-00524-0000	1	Cable: Thermal Adapter
-	AK58-00597-0000	1	Cable Extension ISO Sensor
-	AK58-00034-0001	3	Console Power Cable
-	AK58-00598-0000	1	Cable: ISO Power
-	AK58-00210-0000	1	Transformer-Bracket Assembly

Block Diagram - Line Filter View

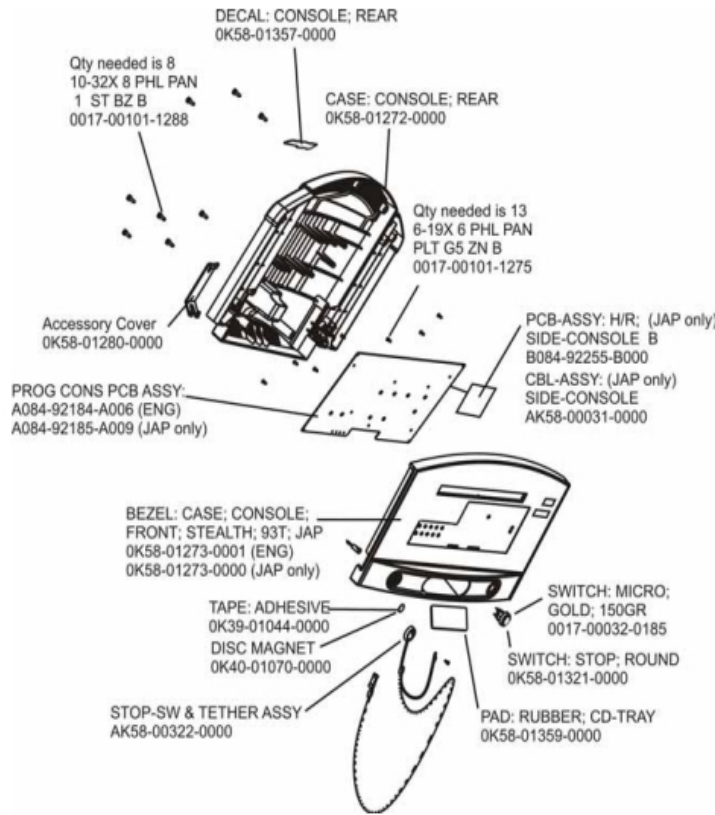


Ref #	Part Number	Qty	Description
-	AK58-00263-0000	1	Hi-Pot Jumper Cable
-	0017-00003-1015	1	20 amp Line Filter (DOM)
-	0017-00003-0898	1	10 amp Line Filter (INT)
-	AK58-00081-0000	1	Jumper Cable Assembly: Black - 4"
-	AK58-00224-0001	1	Cable: MOV; Fliter
-	AK58-00083-0000	1	Cable Assembly
-	AK58-00082-0000	1	Jumper Cable Assembly: White - 6"
-	AK58-00596-0001	1	Power Cable: 230-240V

Circuit Breaker, Line Cords and Line Cord Options

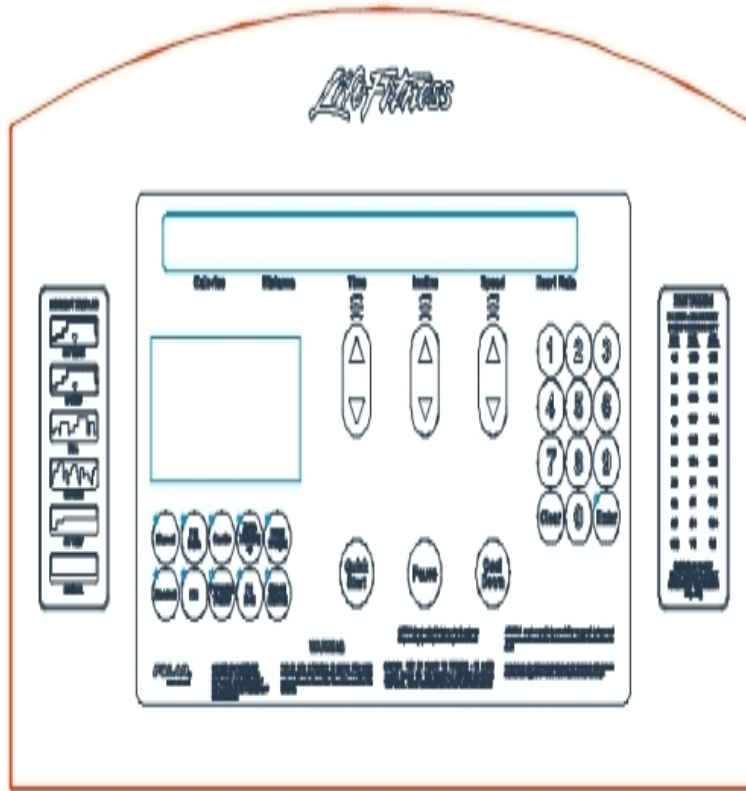
Ref #	Part Number	Qty	Description
-	0017-00003-0948	1	12' 220v Line Cord
-	0017-00003-0980	1	Line Cord: US Low Voltage 144"
-	0017-00003-0974	1	Line Cord: 120V: 8'

Console Components



Ref #	Part Number	Qty	Description
-	0017-00101-1275	13	Hardware: Phillips Screw 0.375"
-	AK58-00031-0000	1	Side Console Cable Assembly
-	0K58-01273-0001	1	Front Console Case
-	B084-92255-B000	1	PCB Assembly
-	AK58-00322-0000	1	Tether Stop Assembly
-	A084-92185-A009	1	PCB Assembly
-	0K58-01272-0000	1	Rear Console Case
-	0K39-01044-0000	1	Tape
-	A084-92184-A006	1	PCB Assembly
-	0K58-01273-0000	1	Front Console Case
-	0K58-01359-0000	1	Rubber Pad
-	0017-00101-1288	8	Hardware: Phillips Screw 0.5"
-	0K58-01357-0000	1	Decal
-	0K58-01321-0000	1	Stop Switch
-	0K58-01280-0000	1	Accessory Cover
-	0017-00032-0185	1	Micro Switch 150GR
-	0K40-01070-0000	1	Magnetic Disk

Console, Overlay Assembly and Overlay

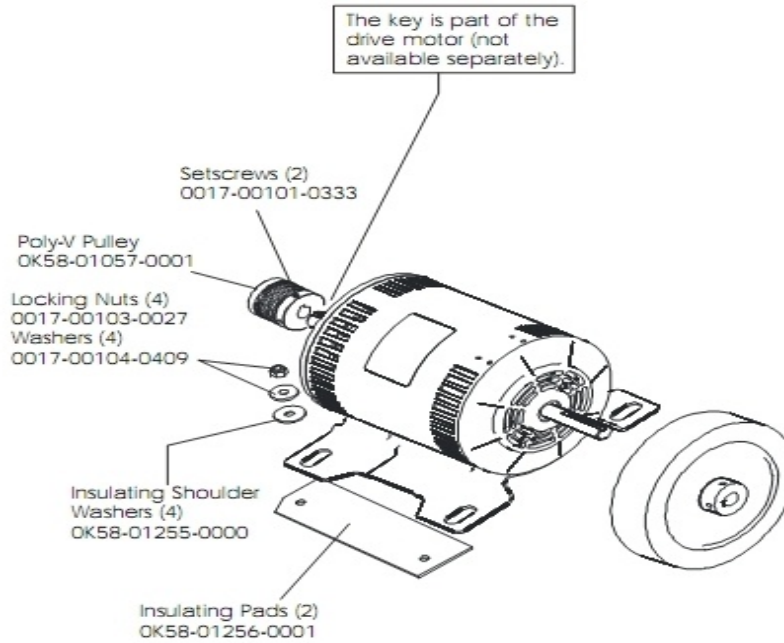


Ref #	Part Number	Qty	Description
-	0K58-01298-0001	1	Console English/Metric
-	AK58-00580-0002	1	Console: English/Metric
-	AK58-00203-0002	1	Overlay/Bezel Assembly Eng/Metric

Contents

Ref #	Part Number	Qty	Description
-	0017-00008-0210	1	Paint: Shadow-Gray Touch Up: .6 OZ Bottle
-	GK58-00002-0071	1	Anti-Slip Rail
-	0017-00008-0211	1	Paint: Shadow-Gray Touch Up: .6 OZ Bottle
-	0017-00042-1147	2	Hardware: Nylon Grommet
-	0017-00042-0326	2	Hardware: Plastic Grommet
-	0017-00008-0206	1	.33oz Pen - Arctic Silver
-	AK58-00360-0002	1	Rear Roller Guard: Left
-	0K58-01376-0000	2	Anti-Scuff Pad
-	0017-00008-0204	1	Paint Spray Can - Arctic Silver
-	GK58-00002-0095	1	Roller Guard kit
-	AK58-00360-0001	1	Rear Roller Guard: Right
-	0017-00101-1776	4	Hardware: Mounting Screw 0.5"
-	0017-00008-0205	1	5 oz Bottle - Arctic Silver
-	M051-00K58-B128	1	Service Instructions - Roller Guards

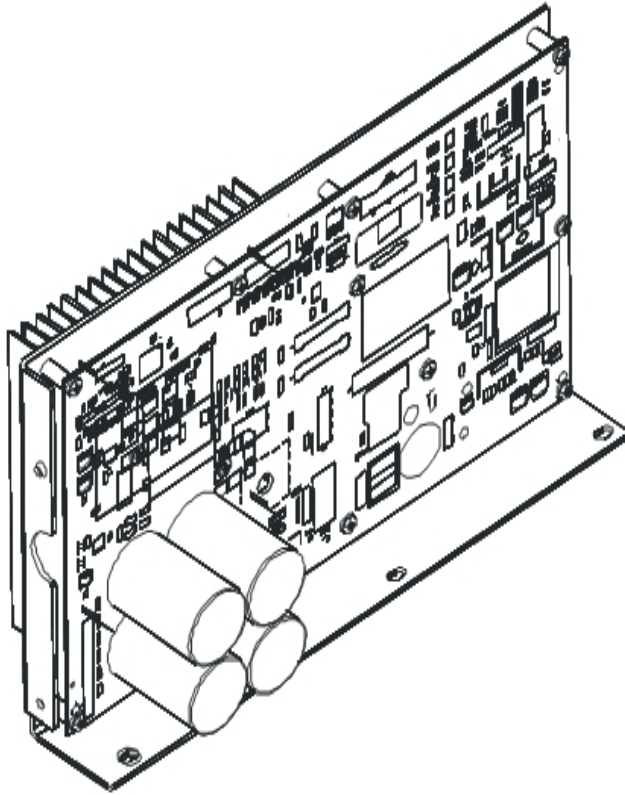
Drive Motor Assembly



Description	Part Nos.	
	S/N TSS100000—TSS102326	S/N TSS102327 and up
Drive Motor Assembly	AK58-00171-0001 (dual cable)	AK58-00171-0002 (tapered shaft)
Cast Iron Flywheel	OK58-01092-0002	OK58-01092-0004
Drive Motor Setscrews/Bolt	0017-00101-0975 (uses setscrews)	0017-00101-1885 (uses bolt)

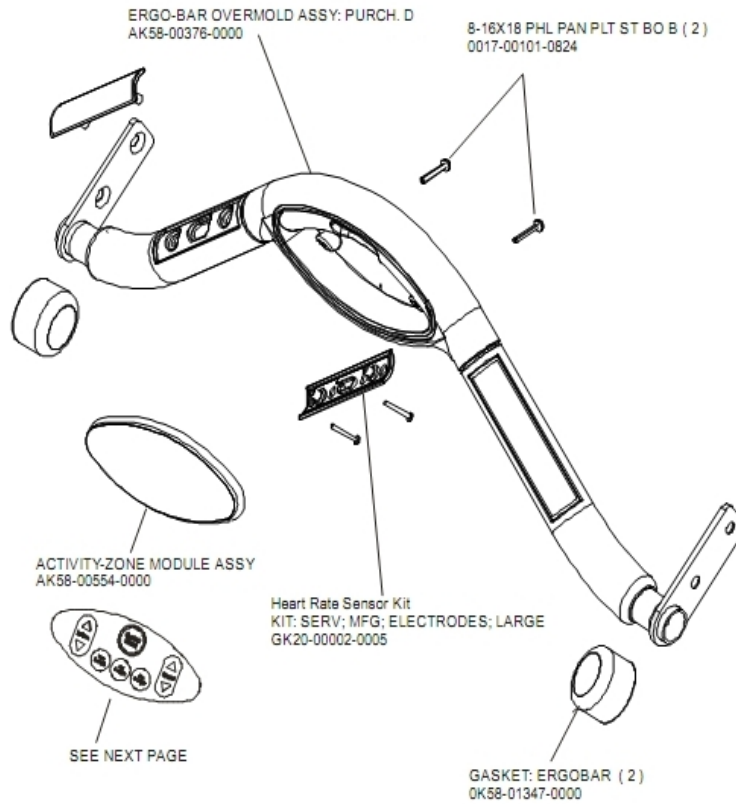
Ref #	Part Number	Qty	Description
-	OK58-01255-0000	4	Hardware: Insulating Washers
-	OK58-01092-0004	1	Cast Iron Flywheel
-	OK58-01386-0004	1	MOTOR: MAIN DRIVE, 230V/50HZ, W/TAPER
-	0017-00104-0409	4	Hardware: Washer 1.125" OD
-	0017-00101-0333	2	Hardware: Screw 0.3125"
-	0017-00101-1885	1	Hardware: Hex Bolt 1"
-	OK58-01092-0002	1	Cast Iron Flywheel
-	OK58-01057-0001	1	Drive Pulley - 1.971"
-	0017-00103-0027	4	Hardware: Locking Nut. 5/16" ID
-	OK58-01256-0001	2	Insulating Pad
-	AK58-00171-0001	1	Drive Motor Assembly
-	0017-00101-0975	1	Hardware: Mounting Bolt 0.375"

DSP Controller Assembly



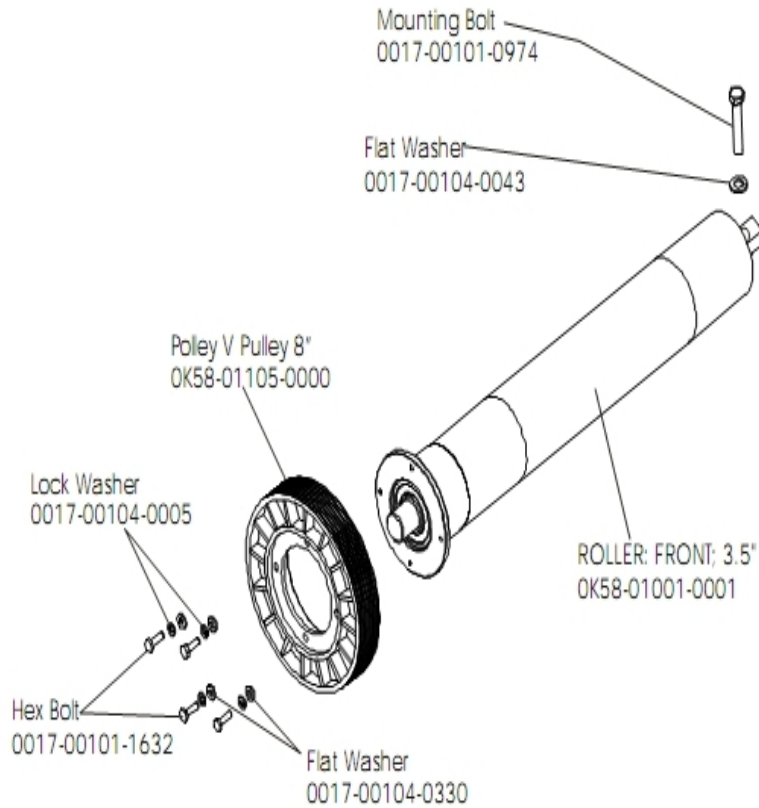
Ref #	Part Number	Qty	Description
-	GK58-00002-0120	1	Display Controller 200-240; LED
-	AK65-00071-0009	1	DSP Controller 200-240
-	GK58-00002-0120	1	Display Controller 200-240; LED
-	AK58-00523-0000	1	Cable: Jumper; Power; LCD Console
-	GK58-00002-0120	1	Display Controller 200-240; LED
-	GK58-00002-0120	1	Display Controller 200-240; LED

Ergo Bar, Heart Rate Sensors and Activity Zone



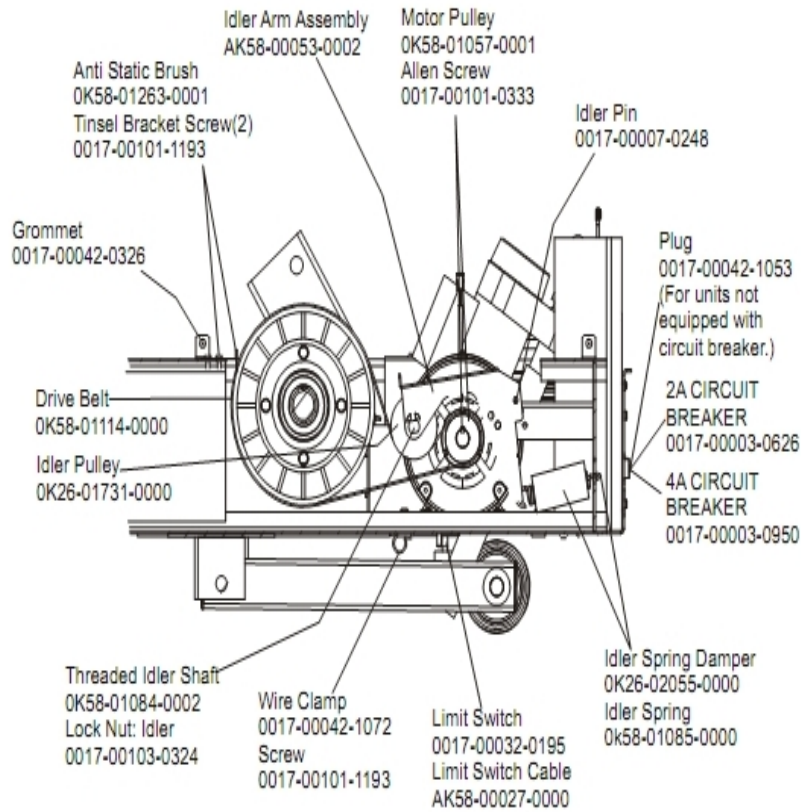
Ref #	Part Number	Qty	Description
-	AK58-00554-0201	1	Activity-Zone Module Assembly: Purchased; Generic Shadow Grey
-	GK20-00002-0005	1	Heart Rate Electrode Kit
-	0017-00101-0824	2	Hardware: Screw 1.125"
-	AK58-00376-0001	1	Ergo-Bar Overmold Assembly
-	0K58-01347-0000	2	ErgoBar Gasket

Front Roller Assembly



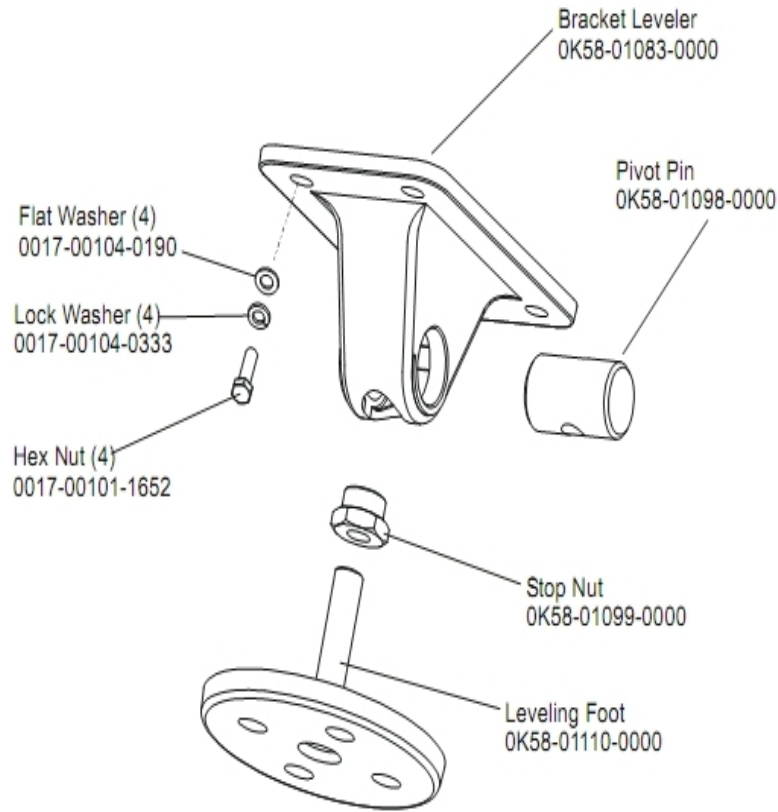
Ref #	Part Number	Qty	Description
-	0017-00101-0974	1	Hardware: Mounting Bolt 2"
-	0017-00104-0043	1	Hardware: Flat Washer 0.734" OD
-	0017-00104-0005	4	Hardware: Lock Washer 0.489" OD
-	OK58-01001-0001	1	Front Roller - 3.5"
-	AK58-00066-0000	1	Front Roller Assembly
-	0017-00101-1632	4	Hardware: Hex Bolt 0.875"
-	OK58-01105-0000	1	Drive Pulley Poly V - 8"
-	0017-00104-0330	4	Hardware: Flat Washers 0.562" OD

Idler Arm Assembly



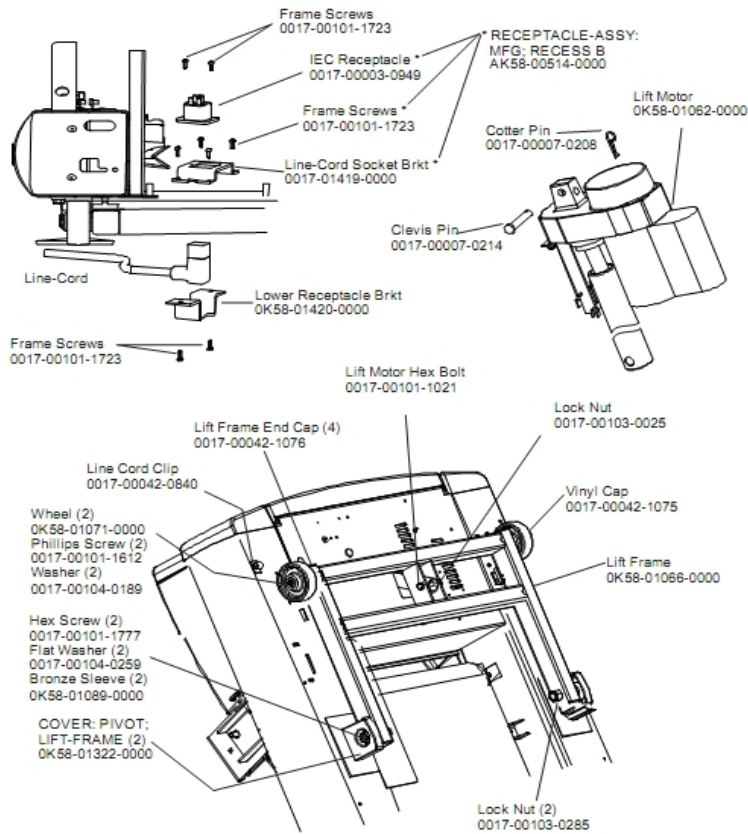
Ref #	Part Number	Qty	Description
-	0K58-01057-0001	1	Drive Pulley - 1.971"
-	AK58-00053-0002	1	Idler Arm Assembly
-	0017-00103-0324	1	Hardware: Thin Lock Nut 3/8" ID
-	AK58-00027-0000	1	Limit Switch Cable
-	0K26-01731-0000	1	Plastic Idler 2 5/8" OD
-	0K26-02055-0000	1	Spring Damper
-	0017-00032-0195	1	Home Switch
-	0017-00042-1072	1	Hardware: Wire Clamp - 5/8"
-	0017-00003-0626	1	CIRCUIT-BREAKER:2A 200-240V
-	0017-00003-0950	1	100v 4 AMP Breaker
-	0K58-01084-0002	1	Threaded Shaft
-	0017-00007-0248	1	Hardware: Locking Pin .31" D 2.125" L
-	0017-00042-0326	1	Hardware: Plastic Grommet
-	0017-00101-1193	3	Hardware: Screw 0.375"
-	0K58-01114-0000	1	Poly-V Drive Belt - 370J12
-	0K58-01085-0000	1	Extension Spring
-	0K58-01263-0001	1	Tinsel Bracket
-	0017-00101-0333	1	Hardware: Screw 0.3125"
-	0017-00042-1053	1	Plug (For units not equipped with circuit breaker.)

Leg Leveler Assembly



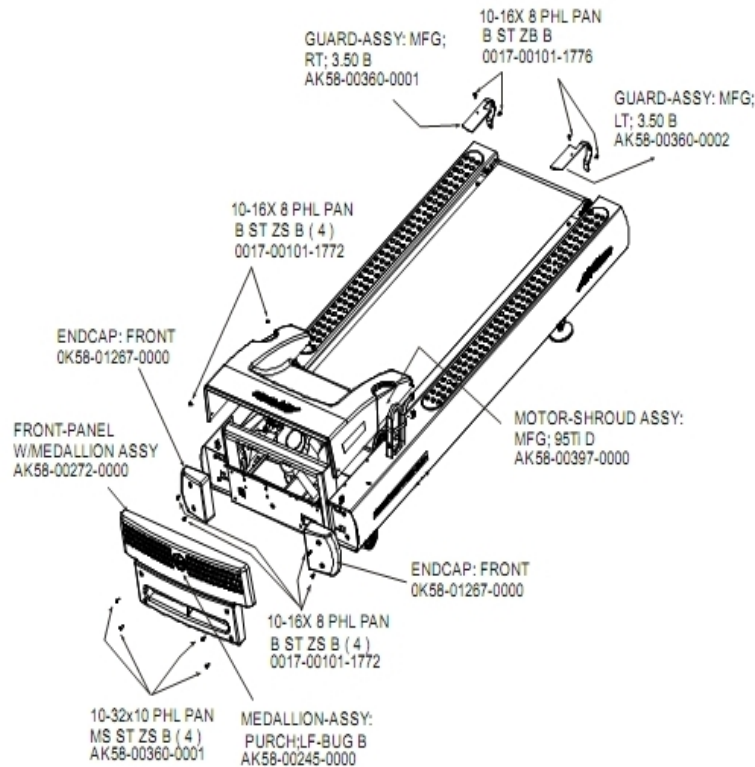
Ref #	Part Number	Qty	Description
-	OK58-01110-0000	1	Leveler Foot
-	AK58-00370-0000	1	Leveler Assembly
-	OK58-01099-0000	1	Hardware: Stop Nut
-	OK58-01083-0000	1	Leveler Bracket
-	0017-00104-0333	4	Hardware: Washer 0.683" OD
-	0017-00104-0190	4	Hardware: Flat Washer 0.734" OD
-	0017-00101-1652	4	Hardware: Spring Mounting Screw 1"
-	OK58-01098-0000	1	Hardware: Pivot Pin

Lift Frame, Lift Motor and IEC Receptacle



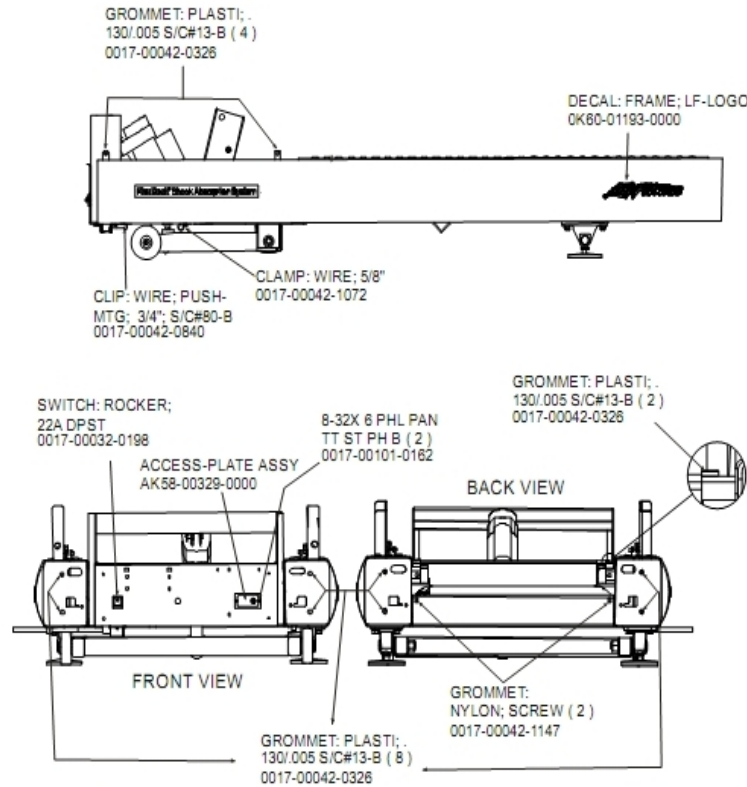
Ref #	Part Number	Qty	Description
-	0017-00007-0214	2	Hardware: Clevis Pin 3/8" D 1.75" L
-	0017-00042-1075	1	Vinyl Cap
-	0017-00101-1612	2	Hardware: Phillips Screw 0.5"
-	OK58-01071-0000	2	Wheel
-	0017-00042-0840	1	Hardware: Push Mount Clip
-	OK58-01089-0000	2	Bronze Sleeve Bushings
-	OK58-01420-0000	1	Lower Receptacle Bracket
-	OK58-01062-0000	1	Lift Motor - 120/60
-	AK58-00220-0000	1	LIFT-FRAME ASSY: MFG. C
-	0017-00042-1076	4	Lift Frame End Cap
-	0017-00103-0285	2	Hardware: Nut 5/8" ID
-	0017-00101-1723	3	Hardware: Phillips Pan Screw 0.375"
-	AK58-00514-0000	1	Receptacle Assembly
-	0017-00007-0208	2	Hardware: Cotter Pin
-	0017-00101-1777	2	Hardware: Lift Frame Mounting Bolt 2.75"
-	0017-00104-0189	2	Hardware: Flat Washer 1" OD
-	OK58-01419-0000	1	Line Cord Socket Bracket
-	OK58-01322-0000	2	Lift Frame Pivot Cover
-	0017-00003-0949	1	IEC Receptacle
-	0017-00101-1021	1	Hardware: Lift Motor Hex Bolt 2.5"
-	0017-00103-0025	1	Hardware: Locking Nut 3/8" ID
-	0017-00104-0259	2	Hardware: Washer 1.331" OD

Motor Cover, Front Cover and Front End Caps



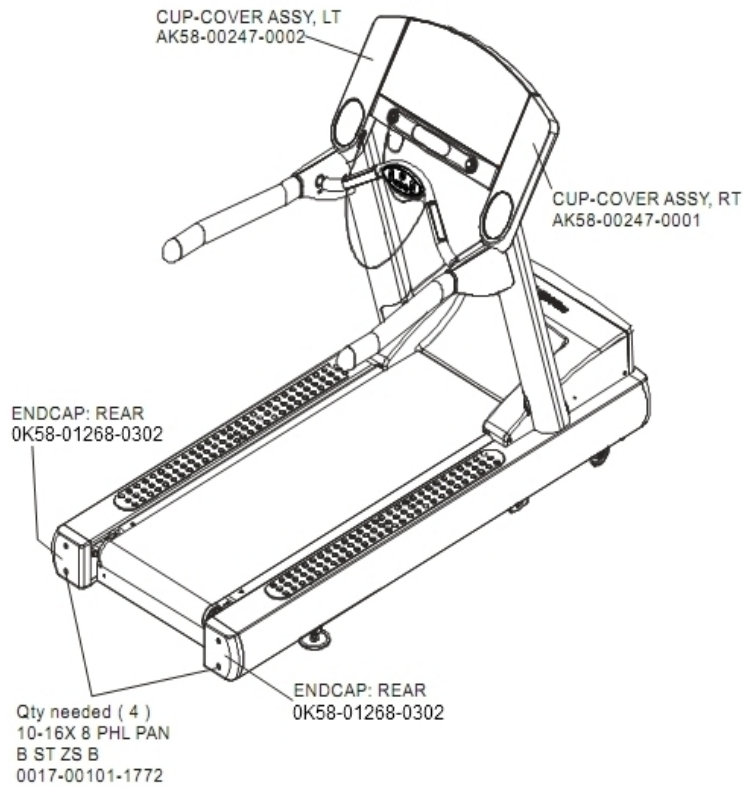
Ref #	Part Number	Qty	Description
-	AK58-00360-0001	5	Rear Roller Guard: Right
-	AK58-00397-0000	1	Motor Shroud
-	0017-00101-1776	1	Hardware: Mounting Screw 0.5"
-	AK58-00272-0000	1	Front Panel with Medallion
-	0K58-01267-0000	2	End Cap
-	AK58-00360-0002	1	Rear Roller Guard: Left
-	AK58-00245-0000	1	Bug Medallion
-	0017-00101-1772	8	Hardware: Phillips Pan Screw 0.5"

On/Off Switch, Access Plate and Grommets



Ref #	Part Number	Qty	Description
-	0017-00042-1147	2	Hardware: Nylon Grommet
-	0K60-01193-0000	1	Decal: LF Logo
-	AK58-00329-0000	1	Access Panel Assembly
-	0017-00042-0840	1	Hardware: Push Mount Clip
-	0017-00042-0326	14	Hardware: Plastic Grommet
-	0017-00032-0198	1	On/Off Switch 22A
-	0017-00101-0162	2	Hardware: Screw 0.375"
-	0017-00042-1072	1	Hardware: Wire Clamp - 5/8"

Rear End Caps and Cup Holders

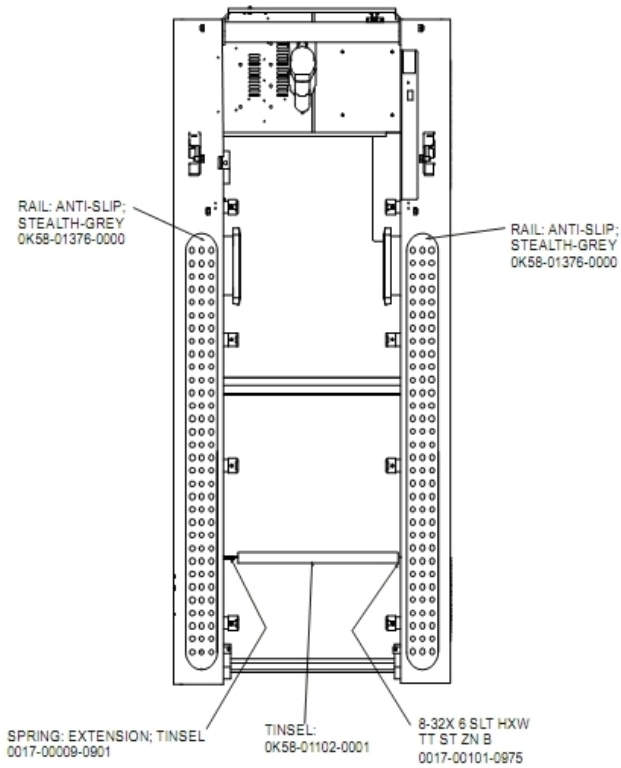


Ref #	Part Number	Qty	Description
-	AK58-00247-0001	1	Cup Holder Right
-	AK58-00247-0002	1	Cup Holder Left
-	0017-00101-1772	4	Hardware: Phillips Pan Screw 0.5"
-	0K58-01268-0302	3	ENDCAP: REAR; STEALTH D

References

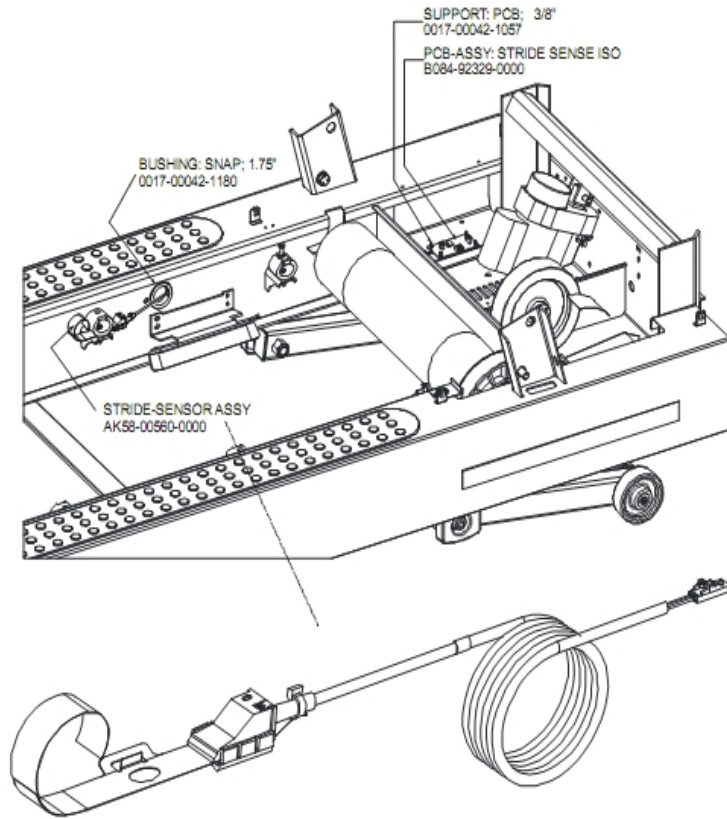
Ref #	Part Number	Qty	Description
-	0017-00101-1780	8	Hardware: Mounting Screws
-	0017-00101-1773	6	Hardware: TORX Screw 0.5"
-	0017-00042-0840	5	Hardware: Push Mount Clip
-	0017-00101-1774	4	Hardware: TORX Screw 2.5"
-	0017-00104-0325	4	Hardware: Washer 0.873" OD
-	0017-00101-1772	6	Hardware: Phillips Pan Screw 0.5"
-	AK58-00226-0000	1	Hardware Bag
-	GK58-00002-0095	1	Roller Guard kit
-	0017-00101-1770	6	Hardware: Phillips Pan Screw 0.5"
-	0K58-01347-0000	2	ErgoBar Gasket
-	0017-00009-1049	1	Torx Wrench
-	0017-00042-0326	2	Hardware: Plastic Grommet
-	0017-00103-0327	4	Hardware: Hex Nut 5/16" ID
-	0017-00101-1778	4	Hardware: Hex Bolt 1"
-	0K58-01305-0002	2	Upright Plug

Scuff Pad and Tinsel



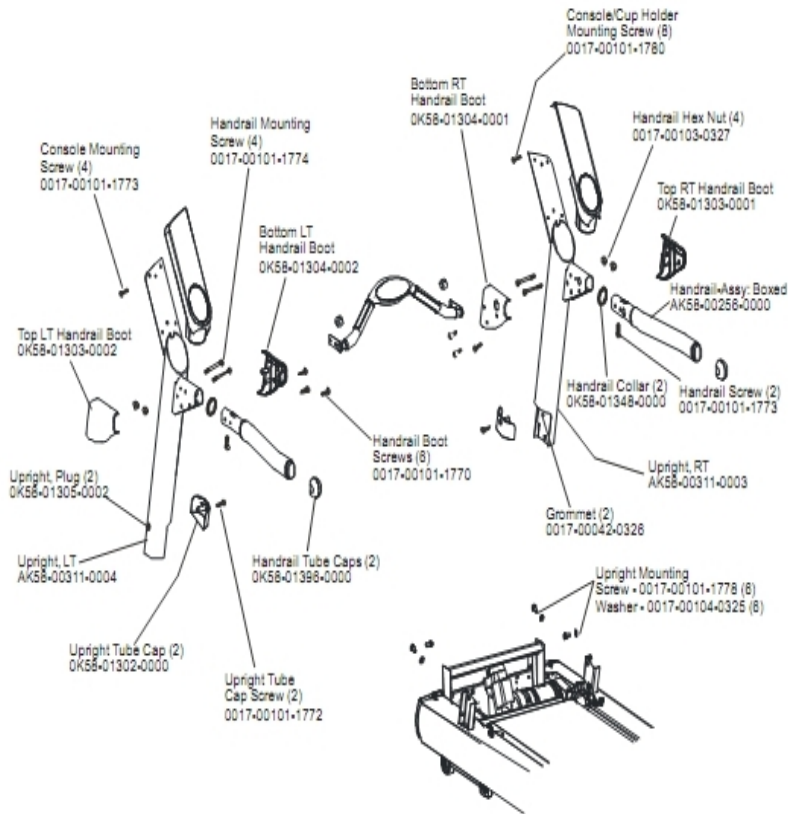
Ref #	Part Number	Qty	Description
-	0017-00009-0901	1	Tinsel Extension Spring
-	0017-00101-0975	1	Hardware: Mounting Bolt 0.375"
-	OK58-01376-0000	2	Anti-Scuff Pad
-	OK58-01102-0001	1	Anti-Static Tinsel

Stride Sensor and Stride Sensor PCB Assembly



Ref #	Part Number	Qty	Description
-	0017-00042-1180	1	Hardware: Snap Bushing - 1.75"
-	0017-00042-1057	1	Support: Printed Circuit Board; 3/8"
-	B084-92329-0000	1	PCB-ASSY: STRIDE SENSE ISO
-	AK58-00560-0000	1	Stride Sensor Assembly

Uprights and Handrails



Ref #	Part Number	Qty	Description
-	0K58-01303-0001	1	Top Right Handrail Boot
-	0017-00101-1778	6	Hardware: Hex Bolt 1"
-	0017-00042-0326	2	Hardware: Plastic Grommet
-	0017-00103-0327	4	Hardware: Hex Nut 5/16" ID
-	0K58-01302-0103	2	Cap: Upright Tube; Arctic Silver
-	0K58-01305-0002	2	Upright Plug
-	AK58-00256-0001	1	Handrail
-	AK58-00311-0004	1	Upright: Left
-	AK58-00311-0003	1	Upright: Right
-	0017-00101-1780	8	Hardware: Mounting Screws
-	0017-00101-1772	2	Hardware: Phillips Pan Screw 0.5"
-	0017-00101-1774	4	Hardware: TORX Screw 2.5"
-	0K58-01304-0001	1	Bottom Right Handrail Boot
-	0K58-01303-0002	1	Top Left Handrail Boot
-	0K58-01396-0000	2	Endcap
-	0017-00101-1770	6	Hardware: Phillips Pan Screw 0.5"
-	0017-00101-1773	6	Hardware: TORX Screw 0.5"
-	0K58-01348-0000	2	Handrail Collar
-	0017-00104-0325	6	Hardware: Washer 0.873" OD

