

# 95Ti Treadmill - 4HP AC - Lifepulse

95T-0102-02

## Parts Manual

1/5/2019 10:33:17 AM



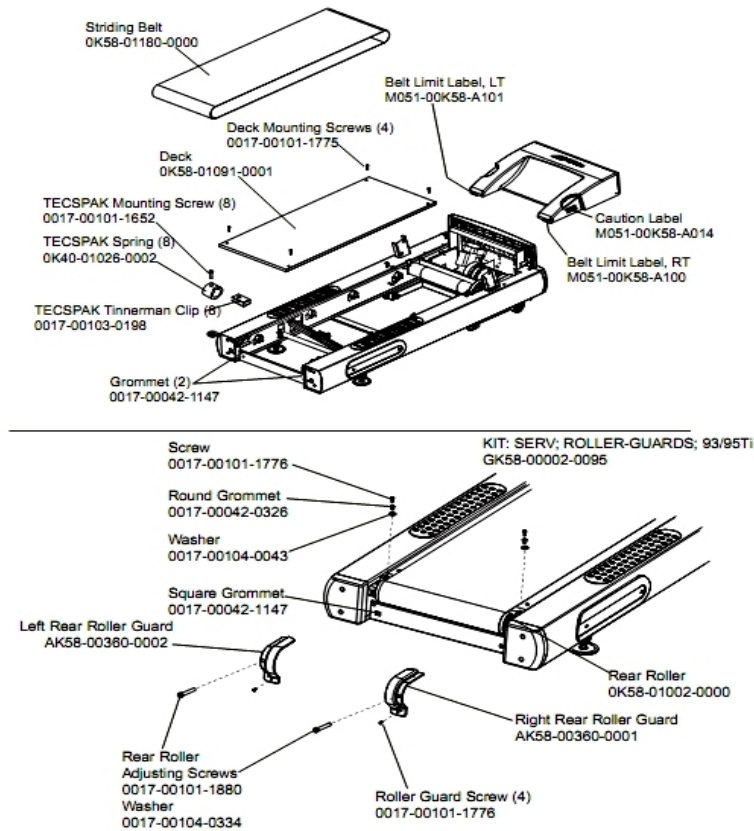
*Lifefitness*  
WHAT WE LIVE FOR

## Table of Contents

---

<a href="#">Belt, Deck, Rear Roller.....</a>	<a href="#">3</a>
<a href="#">Cables.....</a>	<a href="#">4</a>
<a href="#">Console Assembly.....</a>	<a href="#">5</a>
<a href="#">Covers, End Caps, Hardware.....</a>	<a href="#">6</a>
<a href="#">Drive Motor Assembly.....</a>	<a href="#">7</a>
<a href="#">Ergo Bar W/Lifepulse.....</a>	<a href="#">8</a>
<a href="#">Frame Assembly.....</a>	<a href="#">9</a>
<a href="#">Front Roller Assy.....</a>	<a href="#">10</a>
<a href="#">General Assembly.....</a>	<a href="#">11</a>
<a href="#">Handrail Assembly.....</a>	<a href="#">12</a>
<a href="#">Idler Arm Assembly And Static Brush.....</a>	<a href="#">13</a>
<a href="#">Leveler Assembly.....</a>	<a href="#">14</a>
<a href="#">Lift Motor And Frame.....</a>	<a href="#">15</a>
<a href="#">Motor Controller Assembly.....</a>	<a href="#">16</a>
<a href="#">Power Components Schematic.....</a>	<a href="#">17</a>
<a href="#">Wax Components.....</a>	<a href="#">18</a>
<a href="#">Wax/Lift Assembly.....</a>	<a href="#">19</a>

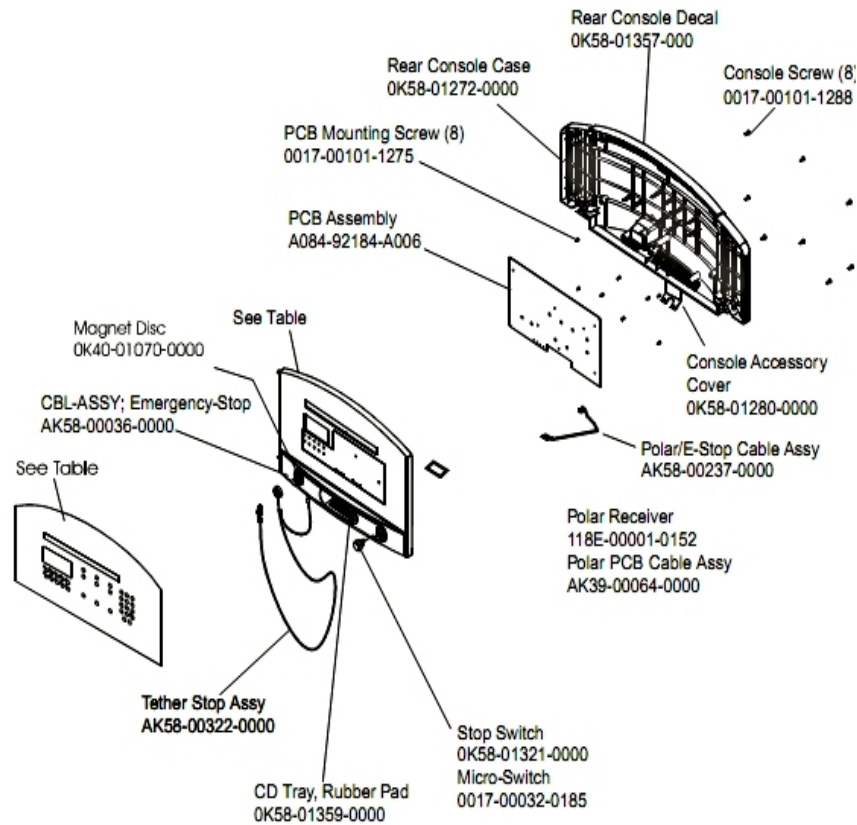
## Belt, Deck, Rear Roller



Ref #	Part Number	Qty	Description
-	0017-00103-0198	8	Hardware: Tinnerman Clip 1/4" ID
-	M051-00K58-A101	1	Belt Limit Label. Left
-	0K40-01026-0002	8	Deck Spring
-	AK58-00360-0001	1	Rear Roller Guard: Right
-	GK58-00002-0095	1	Roller Guard kit
-	0K58-01180-0000	1	Striding Belt
-	M051-00K58-A100	1	Label: Belt Limit: Right
-	AK58-00360-0002	1	Rear Roller Guard: Left
-	0017-00104-0043	1	Hardware: Flat Washer 0.734" OD
-	0K58-01002-0000	1	Rear Roller - 3.5"
-	0K58-01091-0001	1	Deck
-	M051-00K58-A014	1	Label: Caution
-	0017-00042-0326	1	Hardware: Plastic Grommet
-	0017-00042-1147	3	Hardware: Nylon Grommet
-	0017-00101-1652	8	Hardware: Spring Mounting Screw 1"
-	0017-00101-1880	1	Hardware: Tension Bolts 3"
-	0017-00104-0334	1	Hardware: Flat Washers 0.880" OD
-	0017-00101-1776	5	Hardware: Mounting Screw 0.5"
-	0017-00101-1775	4	Hardware: Deck Screws 1.25"

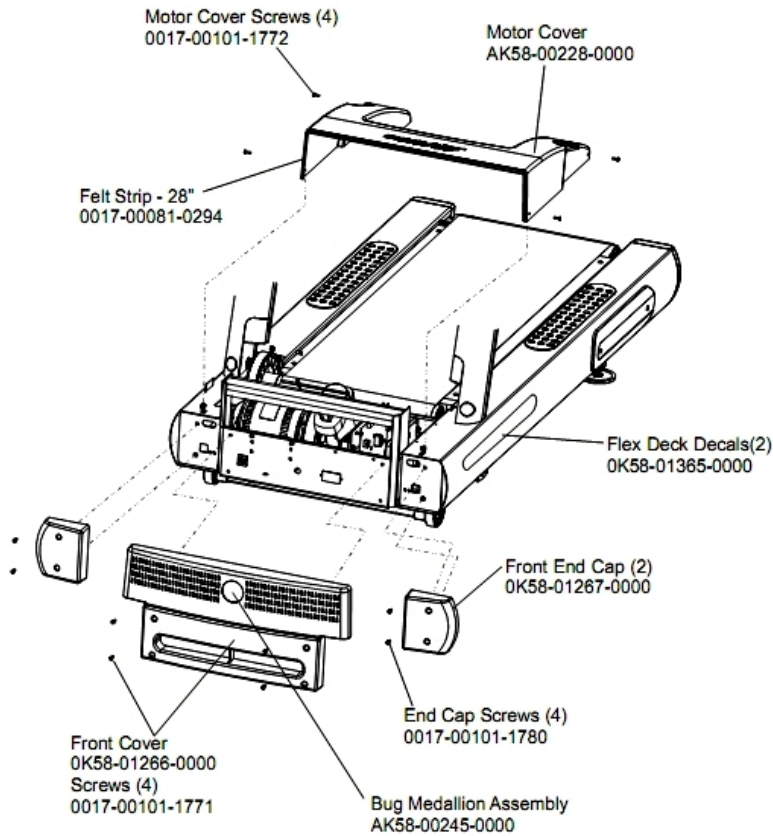


# Console Assembly



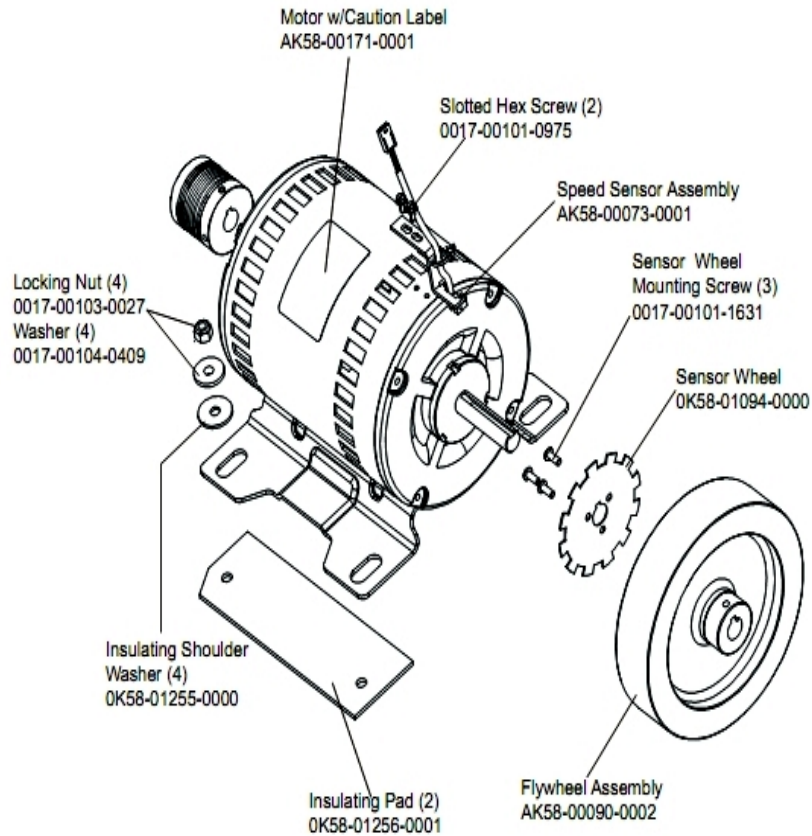
Ref #	Part Number	Qty	Description
-	0K58-01321-0000	1	Stop Switch
-	AK58-00322-0000	1	Tether Stop Assembly
-	0017-00101-1288	8	Hardware: Phillips Screw 0.5"
-	0K58-01272-0000	1	Rear Console Case
-	118E-00001-0244	1	Heart Rate Receiver
-	AK58-00237-0000	1	Cable-Assembly: Polar/E-Stop
-	0K58-01359-0000	1	Rubber Pad
-	AK58-00203-0001	1	Overlay/Bezel Assembly English/Imperial
-	0017-00032-0185	1	Micro Switch 150GR
-	0K58-01280-0000	1	Accessory Cover
-	AK58-00036-0000	1	Cable-Assembly: Emergency-Stop Switch
-	118E-00001-0259	1	Wireless Receiver Module, Non-Coded
-	AK58-00197-0001	1	Console
-	0K40-01070-0000	1	Magnetic Disk
-	0K58-01357-0000	1	Decal
-	0017-00101-1275	8	Hardware: Phillips Screw 0.375"
-	A084-92184-A006	1	PCB Assembly

## Covers, End Caps, Hardware



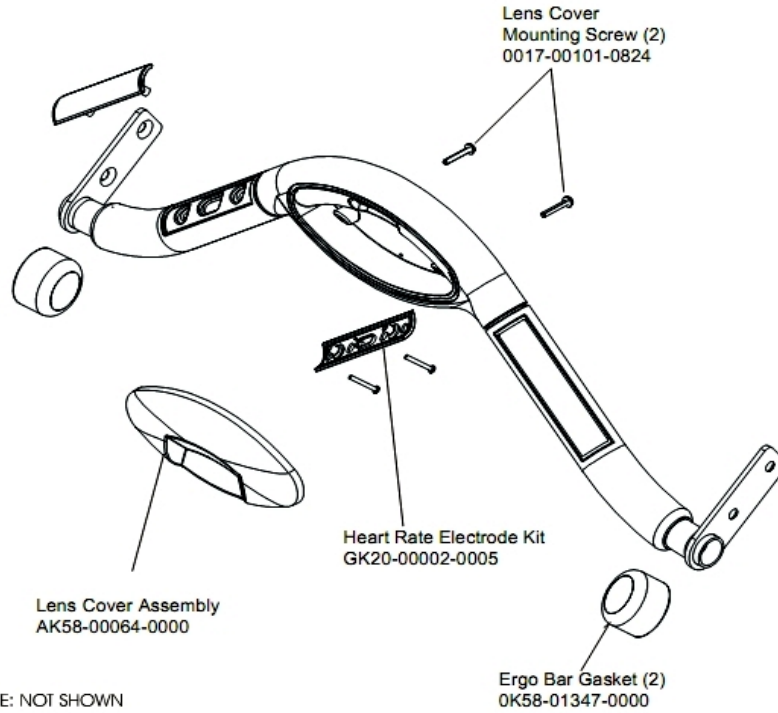
Ref #	Part Number	Qty	Description
-	AK58-00228-0000	1	Motor Cover
-	0017-00081-0294	1	Felt Strip - 28"
-	0017-00101-1780	4	Hardware: Mounting Screws
-	0017-00101-1771	4	Hardware: Phillips Pan Screw
-	0K58-01266-0000	1	Front Cover
-	0K58-01267-0000	2	End Cap
-	AK58-00245-0000	1	Bug Medallion
-	0K58-01365-0000	2	Decal
-	0017-00101-1772	4	Hardware: Phillips Pan Screw 0.5"

# Drive Motor Assembly



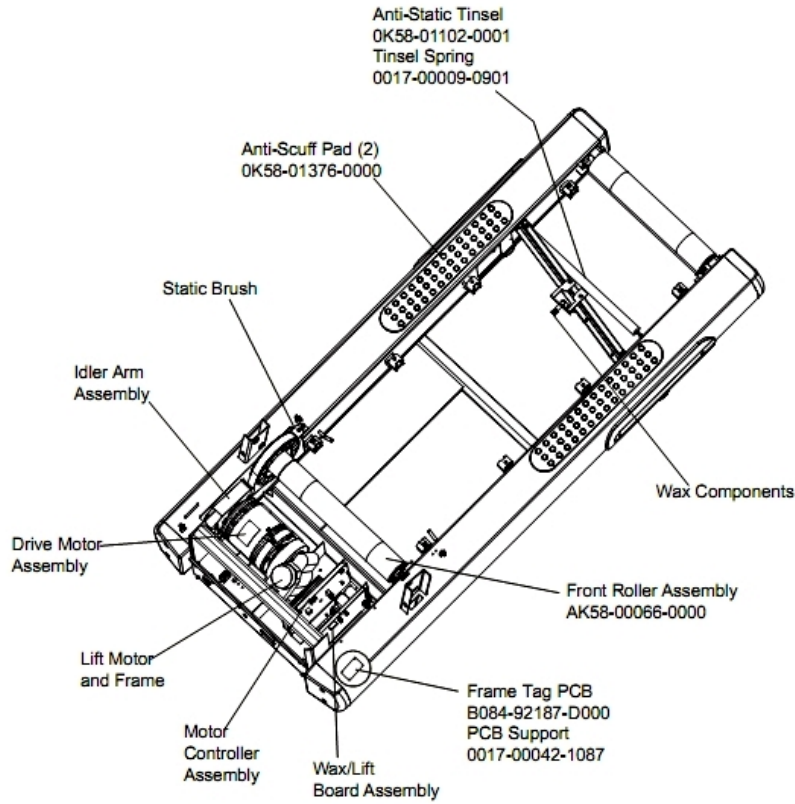
Ref #	Part Number	Qty	Description
-	AK58-00171-0000	1	Motor with Caution Label
-	0017-00101-0975	2	Hardware: Mounting Bolt 0.375"
-	0017-00103-0027	4	Hardware: Locking Nut. 5/16" ID
-	OK58-01255-0000	4	Hardware: Insulating Washers
-	OK58-01256-0001	2	Insulating Pad
-	OK58-01094-0000	1	Sensor Wheel
-	AK58-00090-0002	1	Flywheel Assembly
-	0017-00101-1631	3	Hardware: Sensor Wheel Mounting Screw
-	0017-00104-0409	4	Hardware: Washer 1.125" OD
-	AK58-00073-0001	1	Speed Sensor Assembly

## Ergo Bar W/Lifepulse



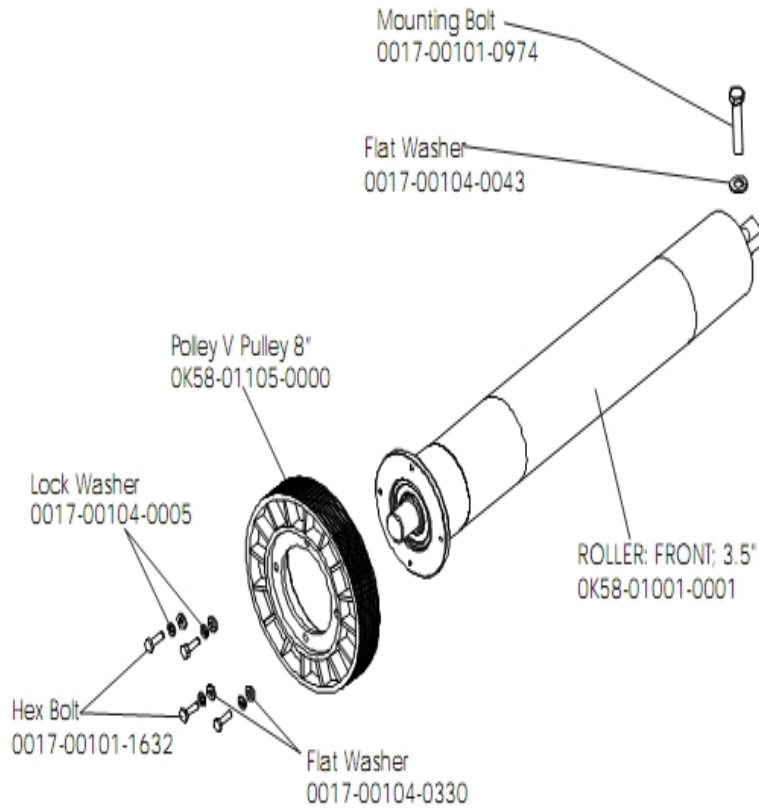
Ref #	Part Number	Qty	Description
-	AK58-00041-0001	1	Heart Rate Sensor Cable
-	AK58-00064-0000	1	I/R Lens Cover Assembly
-	0017-00101-0824	2	Hardware: Screw 1.125"
-	0K58-01347-0000	2	ErgoBar Gasket
-	AK58-00032-0000	1	User Proximity Sensor Cable
-	GK20-00002-0005	2	Heart Rate Electrode Kit

# Frame Assembly



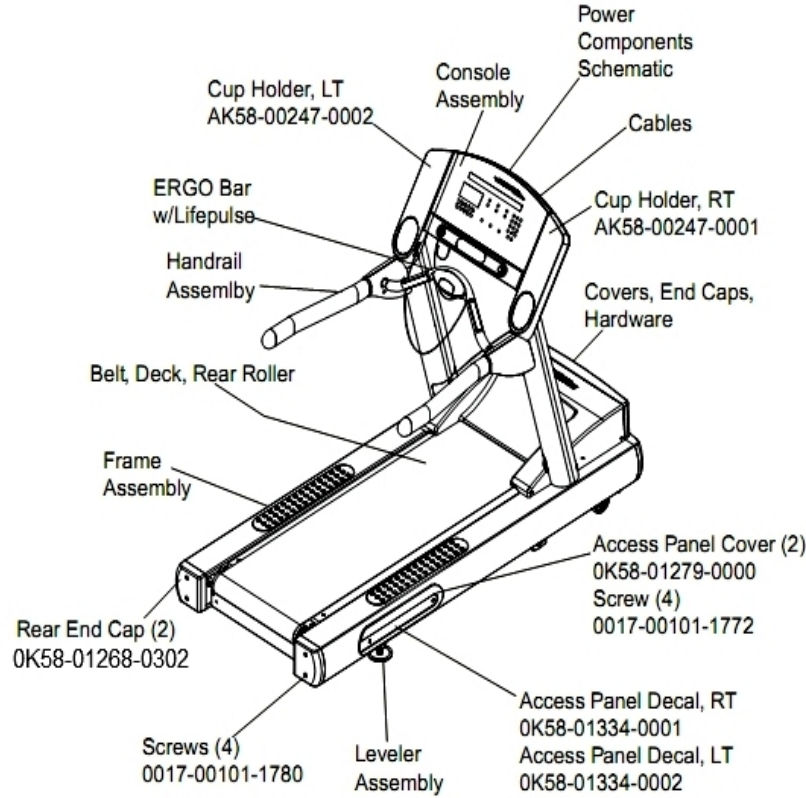
Ref #	Part Number	Qty	Description
-	OK58-01376-0000	2	Anti-Scuff Pad
-	B084-92187-D000	1	Frame Tag PCB
-	OK58-01102-0001	1	Anti-Static Tinsel
-	0017-00042-1087	1	PCB Support
-	AK58-00066-0000	1	Front Roller Assembly
-	0017-00009-0901	1	Tinsel Extension Spring

## Front Roller Assy



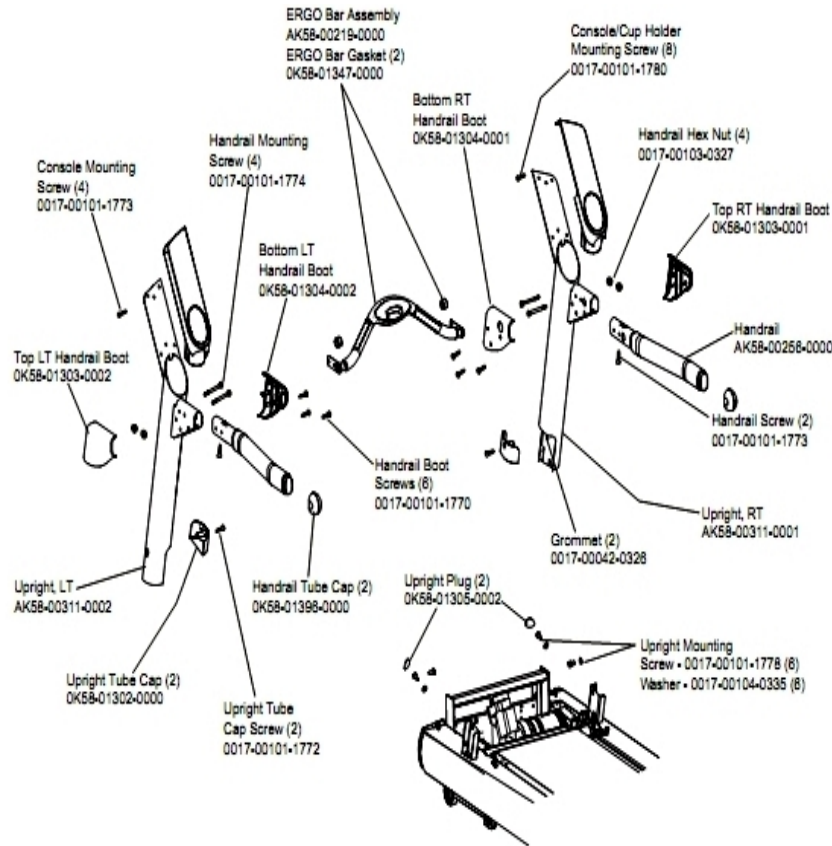
Ref #	Part Number	Qty	Description
-	0K58-01105-0000	1	Drive Pulley Poly V - 8"
-	0017-00101-1632	4	Hardware: Hex Bolt 0.875"
-	0017-00104-0330	4	Hardware: Flat Washers 0.562" OD
-	0017-00104-0043	1	Hardware: Flat Washer 0.734" OD
-	0017-00101-0974	1	Hardware: Mounting Bolt 2"
-	0017-00104-0005	4	Hardware: Lock Washer 0.489" OD

# General Assembly



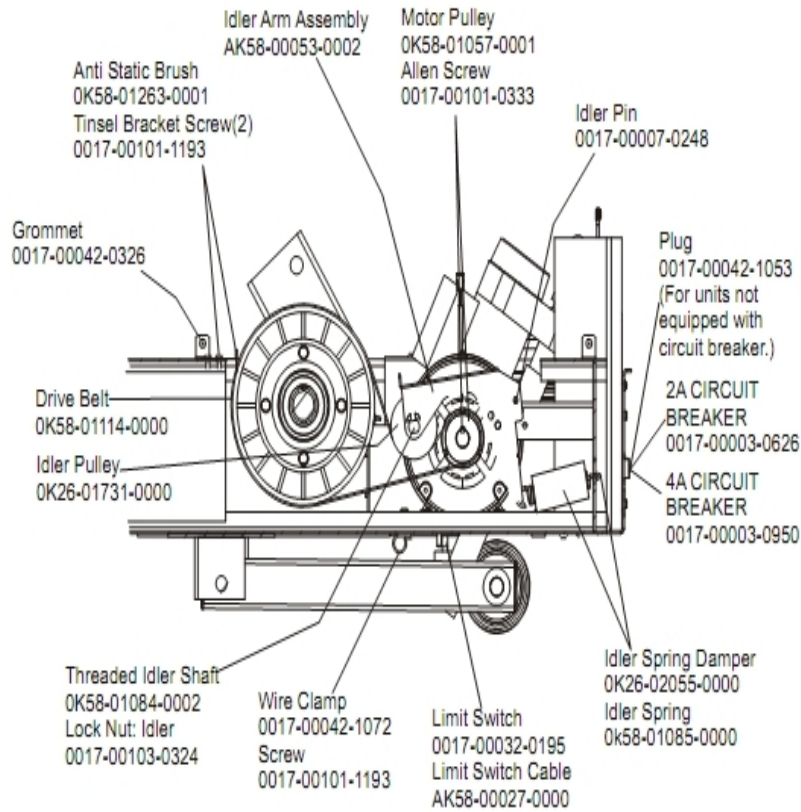
Ref #	Part Number	Qty	Description
-	0K58-01334-0001	1	Access Panel Decal Right
-	0017-00008-0197	1	Paint: Silver Bullet; 4.5OZ. Can
-	0017-00008-0199	1	Paint: Stealth Grey; 4.5OZ. Can
-	0K58-01268-0302	2	ENDCAP: REAR; STEALTH D
-	0017-00101-1772	4	Hardware: Phillips Pan Screw 0.5"
-	0K58-01334-0002	1	Access Panel Decal Left
-	0017-00008-0196	1	Paint: Silver Bullet; .6OZ. Bottle
-	AK58-00247-0001	1	Cup Holder Right
-	0017-00008-0198	1	Paint: Stealth Grey; .6OZ. Bottle B
-	0017-00101-1780	4	Hardware: Mounting Screws
-	0K58-01279-0000	2	Access Panel Cover
-	AK58-00247-0002	1	Cup Holder Left

# Handrail Assembly



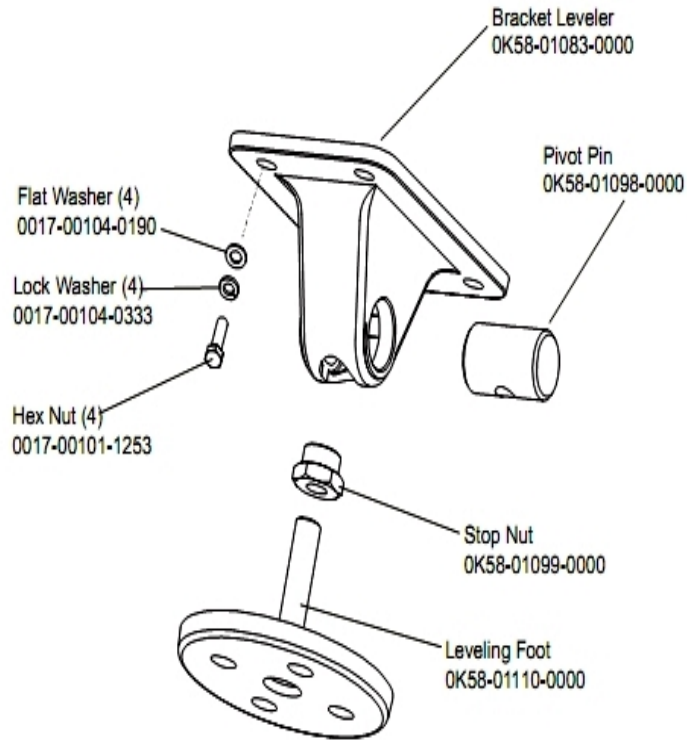
Ref #	Part Number	Qty	Description
-	0017-00101-1773	6	Hardware: TORX Screw 0.5"
-	AK58-00311-0003	1	Upright: Right
-	OK58-01396-0000	4	Endcap
-	OK58-01303-0002	1	Top Left Handrail Boot
-	OK58-01304-0001	1	Bottom Right Handrail Boot
-	OK58-01304-0002	1	Bottom Left Handrail Boot
-	AK58-00219-0000	1	Ergo Bar with Heart Rate Sensors
-	0017-00101-1772	2	Hardware: Phillips Pan Screw 0.5"
-	OK58-01303-0001	1	Top Right Handrail Boot
-	OK58-01347-0000	2	ErgoBar Gasket
-	0017-00101-1778	6	Hardware: Hex Bolt 1"
-	0017-00103-0327	4	Hardware: Hex Nut 5/16" ID
-	OK58-01302-0103	2	Cap: Upright Tube; Arctic Silver
-	OK58-01305-0002	2	Upright Plug
-	AK58-00256-0001	1	Handrail
-	AK58-00311-0004	1	Upright: Left
-	0017-00042-0326	2	Hardware: Plastic Grommet
-	0017-00101-1774	4	Hardware: TORX Screw 2.5"
-	0017-00101-1780	8	Hardware: Mounting Screws
-	0017-00104-0335	6	Hardware: Handrail Washer
-	AK58-00226-0000	1	Hardware Bag

## Idler Arm Assembly And Static Brush



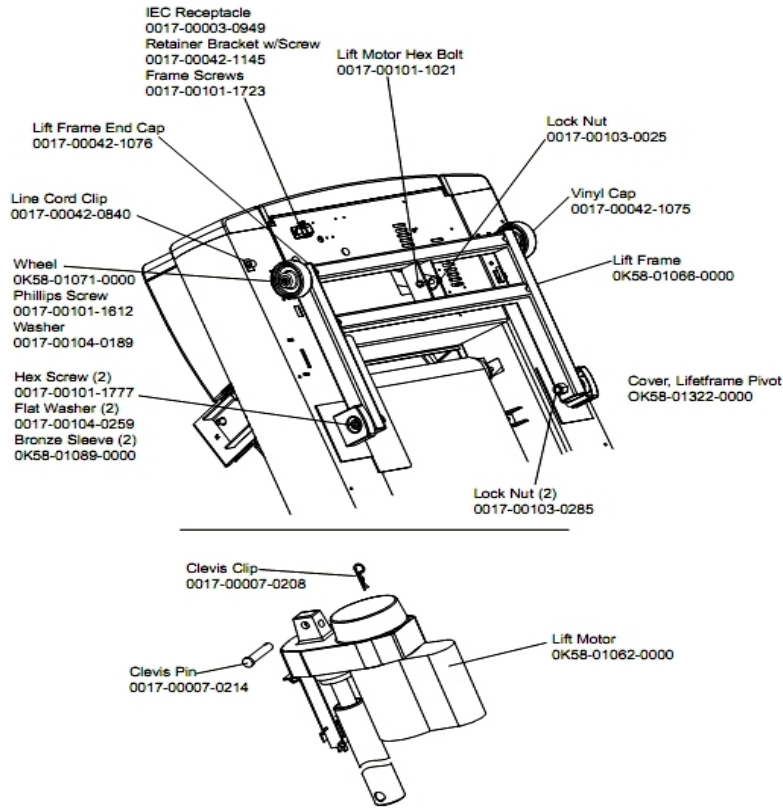
Ref #	Part Number	Qty	Description
-	OK58-01057-0001	1	Drive Pulley - 1.971"
-	AK58-00053-0002	1	Idler Arm Assembly
-	0017-00103-0324	1	Hardware: Thin Lock Nut 3/8" ID
-	AK58-00027-0000	1	Limit Switch Cable
-	OK26-01731-0000	1	Plastic Idler 2 5/8" OD
-	OK26-02055-0000	1	Spring Damper
-	0017-00032-0195	1	Home Switch
-	0017-00042-1072	1	Hardware: Wire Clamp - 5/8"
-	OK58-01084-0002	1	Threaded Shaft
-	0017-00007-0248	1	Hardware: Locking Pin .31" D 2.125" L
-	0017-00042-0326	1	Hardware: Plastic Grommet
-	0017-00101-1193	3	Hardware: Screw 0.375"
-	OK58-01114-0000	1	Poly-V Drive Belt - 370J12
-	OK58-01085-0000	1	Extension Spring
-	OK58-01263-0001	1	Tinsel Bracket
-	0017-00101-0333	1	Hardware: Screw 0.3125"
-	0017-00042-1053	1	Plug (For units not equipped with circuit breaker.)

## Leveler Assembly



Ref #	Part Number	Qty	Description
-	0017-00101-1253	4	Hardware: Screw
-	OK58-01110-0000	1	Leveler Foot
-	OK58-01099-0000	1	Hardware: Stop Nut
-	OK58-01083-0000	1	Leveler Bracket
-	0017-00104-0333	4	Hardware: Washer 0.683" OD
-	0017-00104-0190	4	Hardware: Flat Washer 0.734" OD
-	OK58-01098-0000	1	Hardware: Pivot Pin

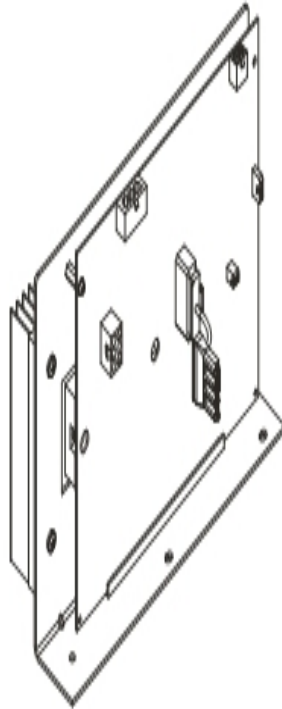
### Lift Motor And Frame



Ref #	Part Number	Qty	Description
-	0017-00007-0214	1	Hardware: Clevis Pin 3/8" D 1.75" L
-	0017-00042-1075	1	Vinyl Cap
-	0017-00101-1612	2	Hardware: Phillips Screw 0.5"
-	0K58-01071-0000	2	Wheel
-	0017-00042-0840	1	Hardware: Push Mount Clip
-	0K58-01089-0000	2	Bronze Sleeve Bushings
-	0K58-01062-0000	1	Lift Motor - 120/60
-	AK58-00220-0000	1	LIFT-FRAME ASSY: MFG. C
-	0017-00042-1076	1	Lift Frame End Cap
-	0017-00103-0285	2	Hardware: Nut 5/8" ID
-	0017-00101-1723	2	Hardware: Phillips Pan Screw 0.375"
-	0017-00007-0208	1	Hardware: Cotter Pin
-	0017-00101-1777	2	Hardware: Lift Frame Mounting Bolt 2.75"
-	0017-00104-0189	2	Hardware: Flat Washer 1" OD
-	0K58-01322-0000	1	Lift Frame Pivot Cover
-	0017-00003-0949	1	IEC Receptacle
-	0017-00042-1145	1	Power Cord Retainer
-	0017-00101-1021	1	Hardware: Lift Motor Hex Bolt 2.5"
-	0017-00103-0025	1	Hardware: Locking Nut 3/8" ID
-	0017-00104-0259	2	Hardware: Washer 1.331" OD

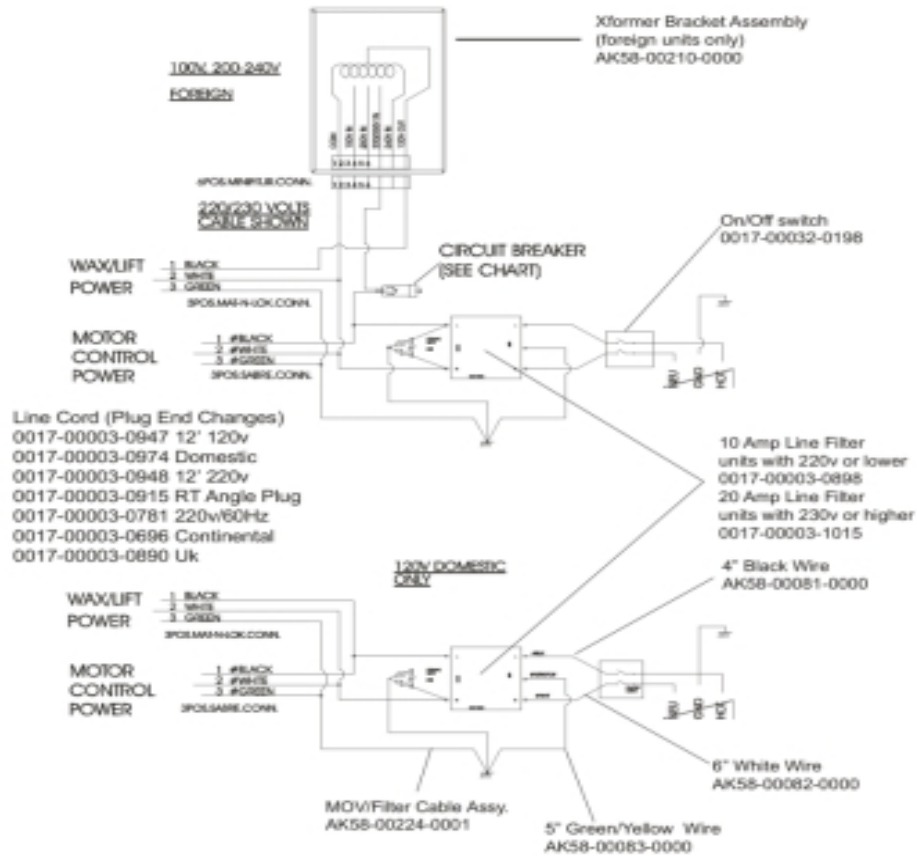
## Motor Controller Assembly

---



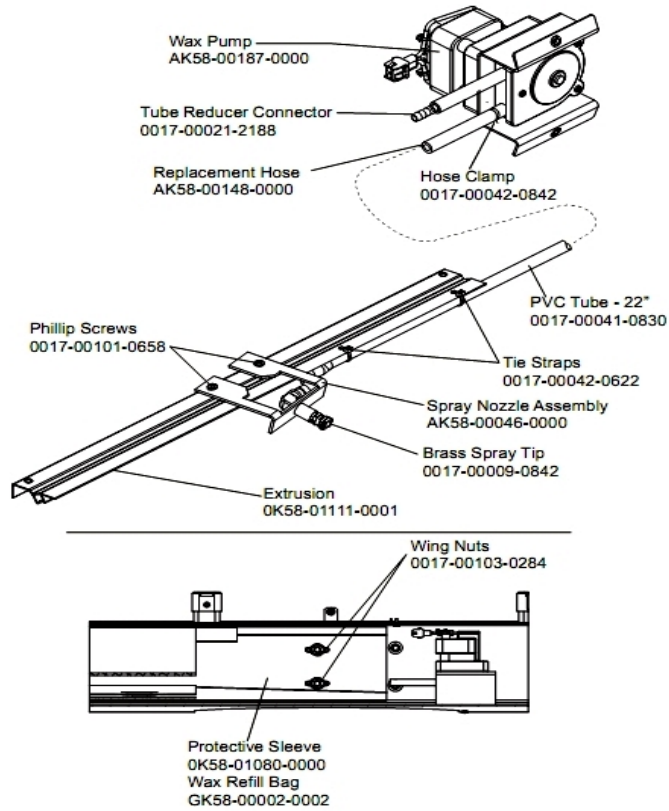
Ref #	Part Number	Qty	Description
-	GK65-00002-0019	1	Motor Controller Assembly (200-240V)

### Power Components Schematic



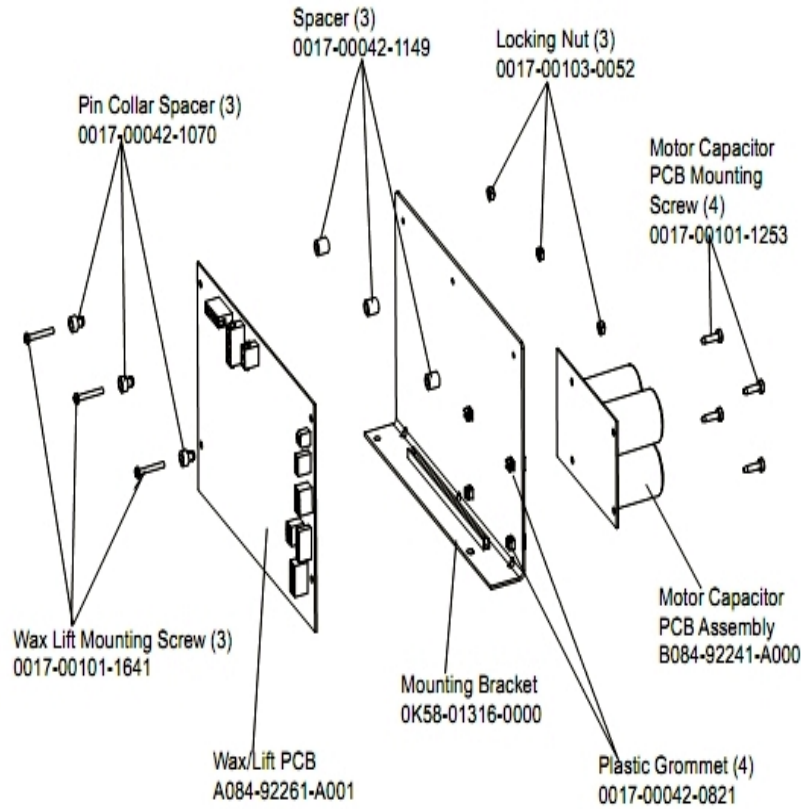
Ref #	Part Number	Qty	Description
-	0017-00003-0890	1	Line Cord: UK
-	AK58-00210-0000	1	Transformer-Bracket Assembly
-	AK58-00082-0000	1	Jumper Cable Assembly: White - 6"
-	AK58-00081-0000	1	Jumper Cable Assembly: Black - 4"
-	AK58-00258-0008	1	Cable-Assembly: Power; 240V S/C#2-D
-	AK58-00083-0000	1	Cable Assembly
-	0017-00003-0915	1	Line Cord RT Angle Plug
-	0017-00032-0198	1	On/Off Switch 22A
-	0017-00003-1015	1	20 amp Line Filter (DOM)
-	AK58-00224-0001	1	Cable: MOV; Fliter
-	0017-00003-0948	1	12' 220v Line Cord

## Wax Components



Ref #	Part Number	Qty	Description
-	0017-00021-2188	1	Tube Reducer Connector
-	AK58-00148-0000	1	Replacement Hose
-	0017-00041-0830	1	TUBING: PVC; REINFORCED B
-	0017-00009-0842	1	Brass Spray Tip
-	OK58-01111-0001	1	Extrusion Assembly
-	AK58-00046-0000	1	Spray Nozzle Assembly
-	AK58-00187-0000	1	Wax Pump
-	OK58-01080-0000	1	Protective Sleeve
-	GK58-00002-0002	1	Wax Refill Bag
-	0017-00103-0284	2	Hardware: Wing Nut
-	0017-00101-0658	1	Hardware: Access Panel Screws
-	0017-00042-0842	1	Hose Clamp
-	0017-00042-0622	1	Cable Tie

## Wax/Lift Assembly



Ref #	Part Number	Qty	Description
-	A084-92261-A001	1	Wax/Lift PCB
-	0017-00042-0821	4	Hardware: Plastic Grommet
-	B084-92241-A000	1	Motor Capacitor PCB Assembly
-	0017-00042-1149	3	Spacer
-	0017-00103-0052	3	Hardware: Locking Nut ID
-	0017-00042-1070	3	Pin Collar Spacer
-	0017-00101-1641	3	Hardware: Phillips Pan Screw
-	0K58-01316-0000	1	Mounting Bracket
-	0017-00101-1253	4	Hardware: Screw

