

95Ti Treadmill - 4HP AC DSP - Heart Rate

95T-0102-05

Parts Manual

1/5/2019 10:33:17 AM

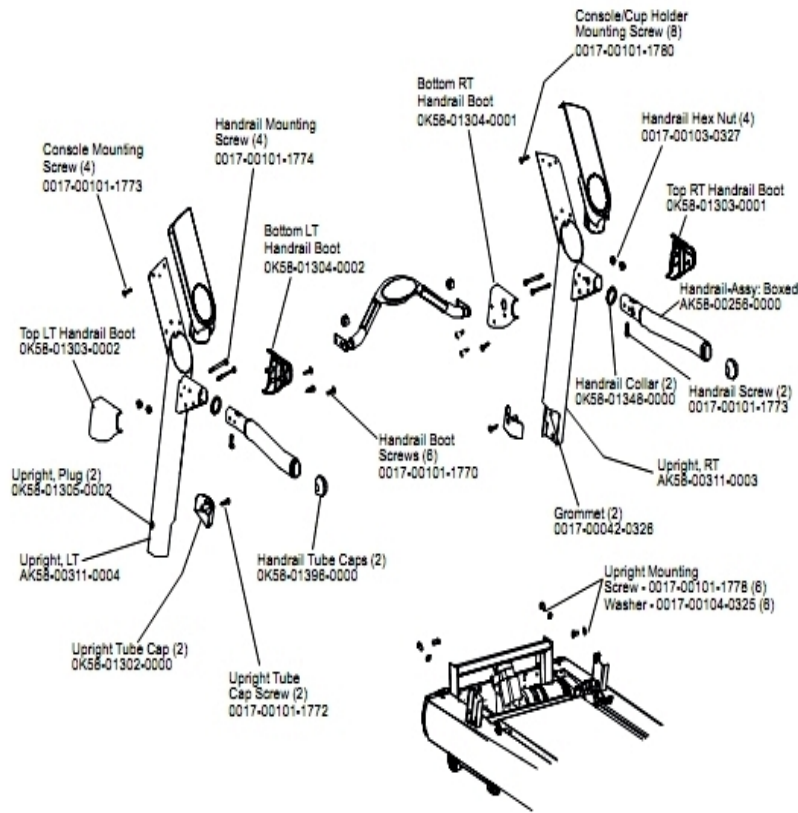


LifeFitness
WHAT WE LIVE FOR

Table of Contents

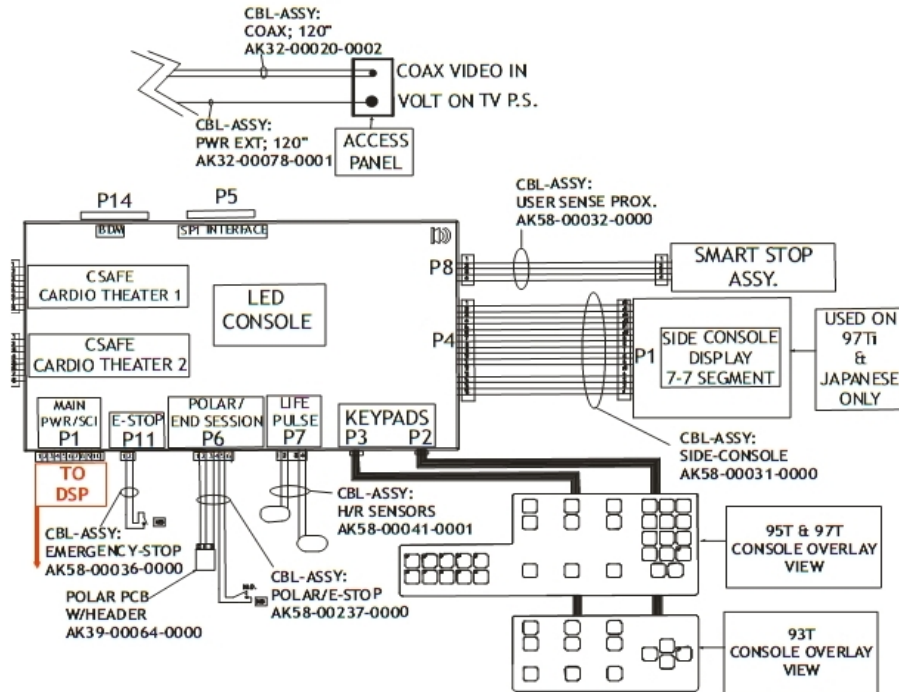
Belt, Deck And Rear Roller.....	3
Block Diagram - Console View.....	4
Block Diagram - DSP View.....	5
Block Diagram - Line Filter View.....	6
Console Components.....	7
Console, Overlay Assembly And Overlay.....	8
Drive Motor Assembly.....	9
DSP Controller Assembly.....	10
Ergo Bar And Heart Rate Sensors.....	11
Front Roller Assembly.....	12
Idler Arm Assembly.....	13
Leg Leveler Assembly.....	14
Lift Frame, Lift Motor And IEC Receptacle.....	15
Line Cords And Line Cord Options.....	16
Motor Cover, Front Cover And Front End Caps.....	17
On-Off Switch, Access Plate And Grommets.....	18
Rear End Caps And Cups Holders.....	19
References.....	20
Scuff Pad And Tinsel.....	22
Uprights And Handrails.....	23

Belt, Deck And Rear Roller



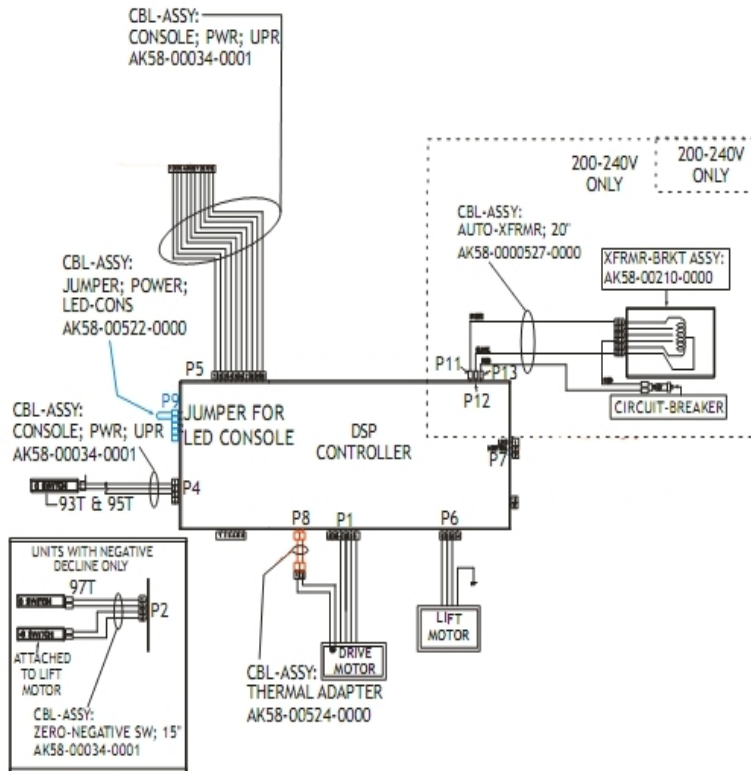
Ref #	Part Number	Qty	Description
-	0017-00101-1775	8	Hardware: Deck Screws 1.25"
-	M051-00K58-A101	2	Belt Limit Label. Left
-	OK58-01400-0000	2	Striding Belt
-	OK58-01002-0000	2	Rear Roller - 3.5"
-	M051-00K58-A014	2	Label: Caution
-	M051-00K58-A100	2	Label: Belt Limit: Right
-	0017-00104-0072	16	Hardware: Flat Washer 0.562" OD
-	0017-00103-0198	8	Hardware: Tinnerman Clip 1/4" ID
-	0017-00101-1652	16	Hardware: Spring Mounting Screw 1"
-	0017-00101-1880	4	Hardware: Tension Bolts 3"
-	OK40-01026-0002	16	Deck Spring
-	OK65-01263-0000	2	Deck

Block Diagram - Console View



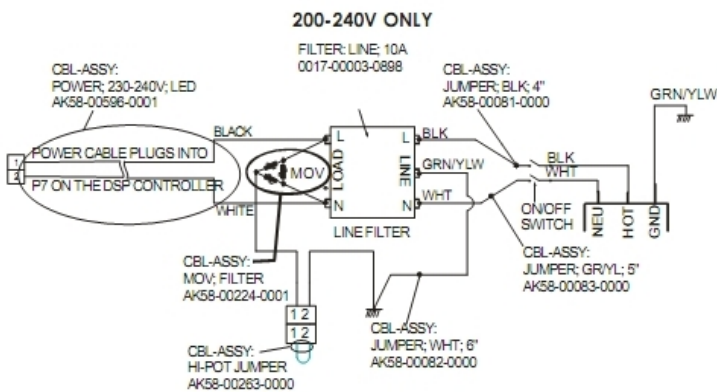
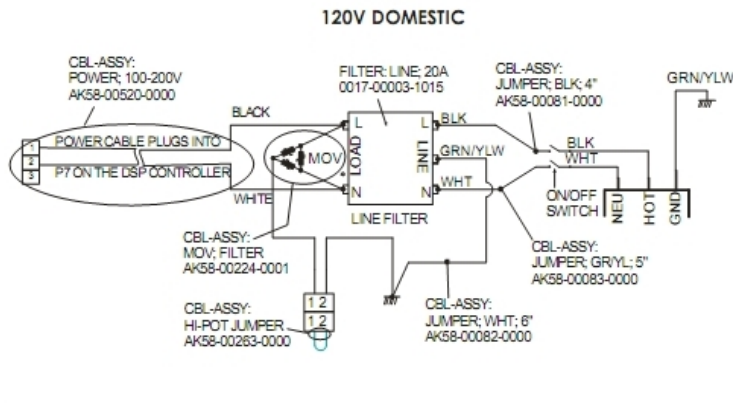
Ref #	Part Number	Qty	Description
-	AK58-00041-0001	2	Heart Rate Sensor Cable
-	AK58-00031-0000	2	Side Console Cable Assembly
-	AK32-00078-0001	2	Power Extension Cable: 120"
-	AK58-00032-0000	2	User Proximity Sensor Cable
-	118E-00001-0259	2	Wireless Receiver Module, Non-Coded
-	AK32-00020-0002	2	Coax Cable: 120"
-	AK58-00237-0000	2	Cable-Assembly: Polar/E-Stop
-	AK58-00036-0000	2	Cable-Assembly: Emergency-Stop Switch

Block Diagram - DSP View



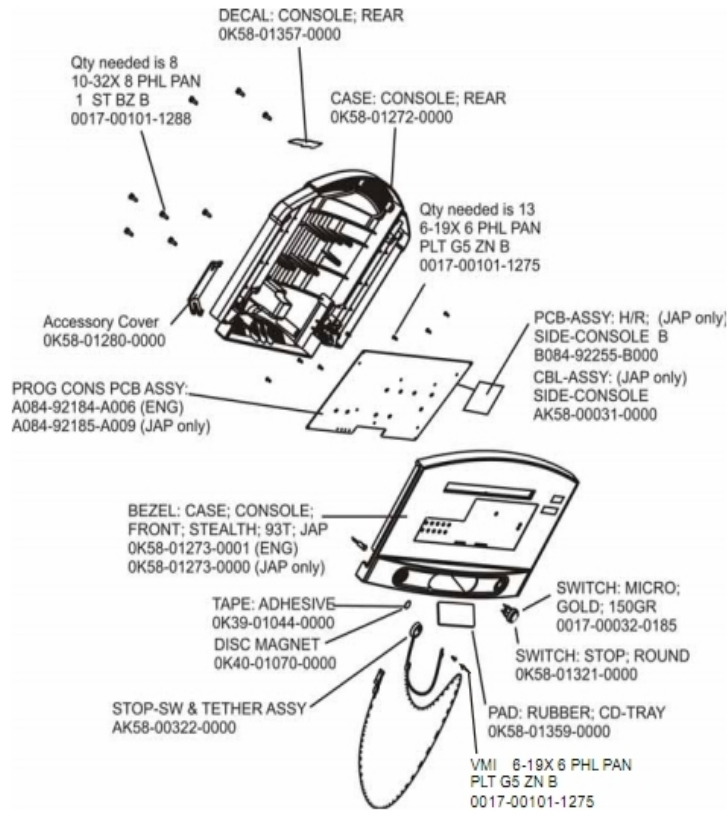
Ref #	Part Number	Qty	Description
-	AK58-00527-0000	2	Auto-Transformer: Use on High Voltage
-	AK58-00210-0000	2	Transformer-Bracket Assembly
-	AK58-00522-0000	2	Cable: Jumper; Power; LED Console
-	AK58-00524-0000	2	Cable: Thermal Adapter
-	AK58-00034-0001	6	Console Power Cable

Block Diagram - Line Filter View



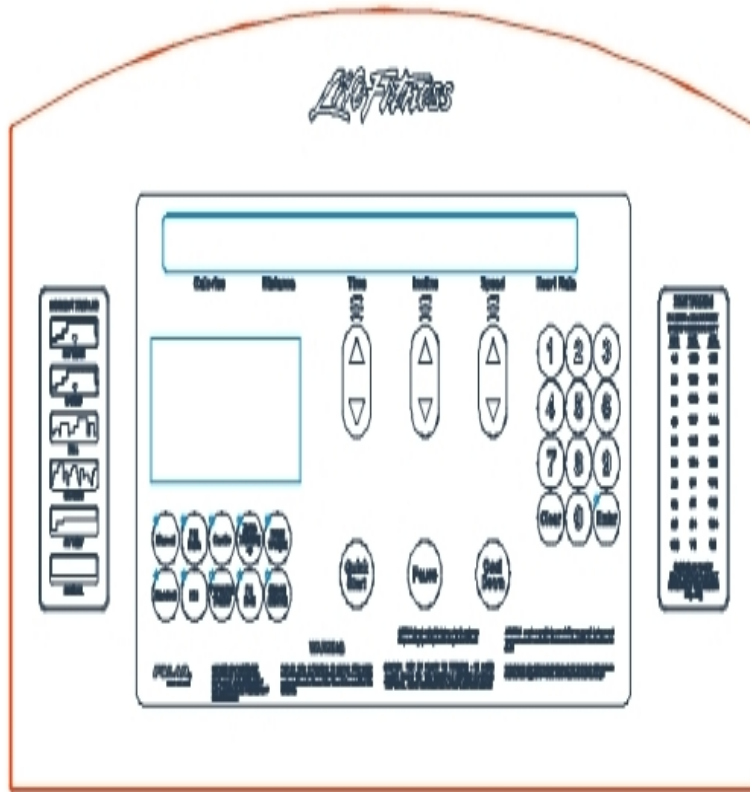
Ref #	Part Number	Qty	Description
-	AK58-00081-0000	2	Jumper Cable Assembly: Black - 4"
-	AK58-00263-0000	2	Hi-Pot Jumper Cable
-	0017-00003-0898	2	10 amp Line Filter (INT)
-	AK58-00082-0000	2	Jumper Cable Assembly: White - 6"
-	AK58-00083-0000	2	Cable Assembly
-	AK58-00596-0001	2	Power Cable: 230-240V
-	AK58-00224-0001	2	Cable: MOV; Fliter

Console Components



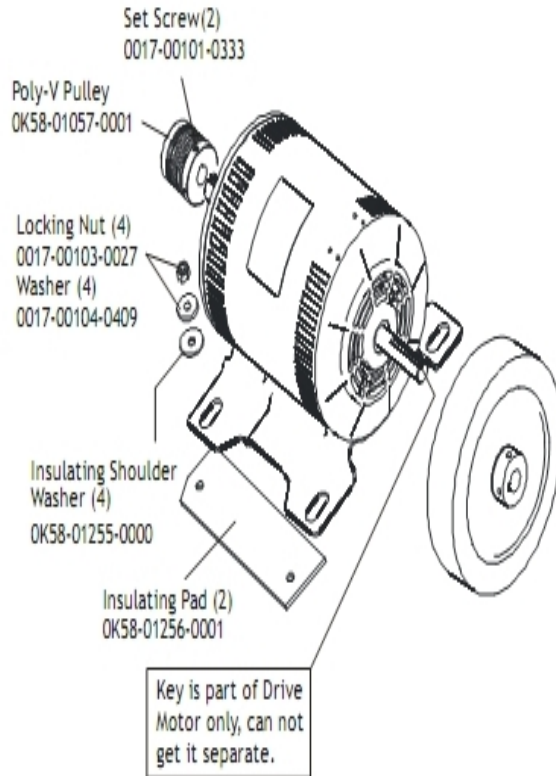
Ref #	Part Number	Qty	Description
-	0K39-01044-0000	2	Tape
-	0K58-01357-0000	2	Decal
-	A084-92184-A006	2	PCB Assembly
-	0K58-01321-0000	2	Stop Switch
-	0017-00101-1288	16	Hardware: Phillips Screw 0.5"
-	0017-00101-1275	28	Hardware: Phillips Screw 0.375"
-	0K58-01273-0001	2	Front Console Case
-	0K58-01359-0000	2	Rubber Pad
-	0K40-01070-0000	2	Magnetic Disk
-	0017-00032-0185	2	Micro Switch 150GR
-	0K58-01280-0000	2	Accessory Cover
-	0K58-01272-0000	2	Rear Console Case
-	AK58-00322-0000	2	Tether Stop Assembly

Console, Overlay Assembly And Overlay



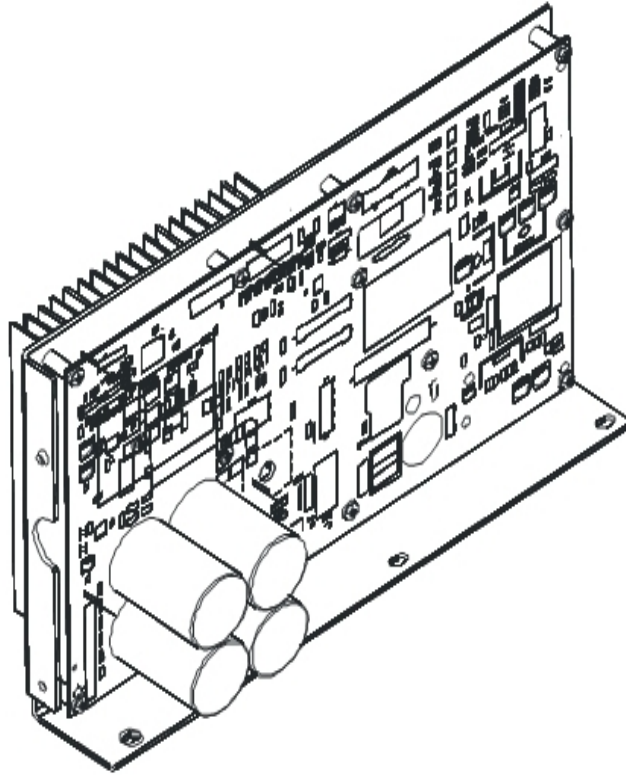
Ref #	Part Number	Qty	Description
-	AK58-00203-0002	2	Overlay/Bezel Assembly Eng/Metric
-	0K58-01298-0001	2	Console English/Metric
-	AK58-00403-0002	2	Console: English/Metric

Drive Motor Assembly



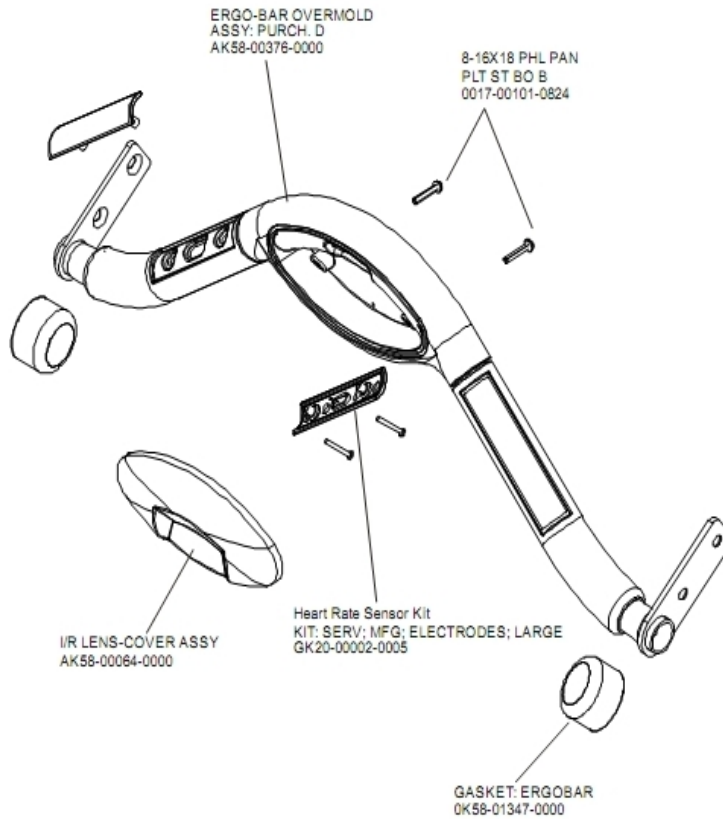
Ref #	Part Number	Qty	Description
-	OK58-01092-0002	2	Cast Iron Flywheel
-	0017-00101-1885	2	Hardware: Hex Bolt 1"
-	OK58-01255-0000	8	Hardware: Insulating Washers
-	OK58-01092-0004	2	Cast Iron Flywheel
-	OK58-01386-0004	2	MOTOR: MAIN DRIVE, 230V/50HZ, W/TAPER
-	0017-00104-0409	8	Hardware: Washer 1.125" OD
-	0017-00101-0333	4	Hardware: Screw 0.3125"
-	OK58-01057-0001	2	Drive Pulley - 1.971"
-	0017-00103-0027	8	Hardware: Locking Nut. 5/16" ID
-	OK58-01256-0001	4	Insulating Pad
-	AK58-00171-0001	2	Drive Motor Assembly
-	0017-00101-0975	2	Hardware: Mounting Bolt 0.375"

DSP Controller Assembly



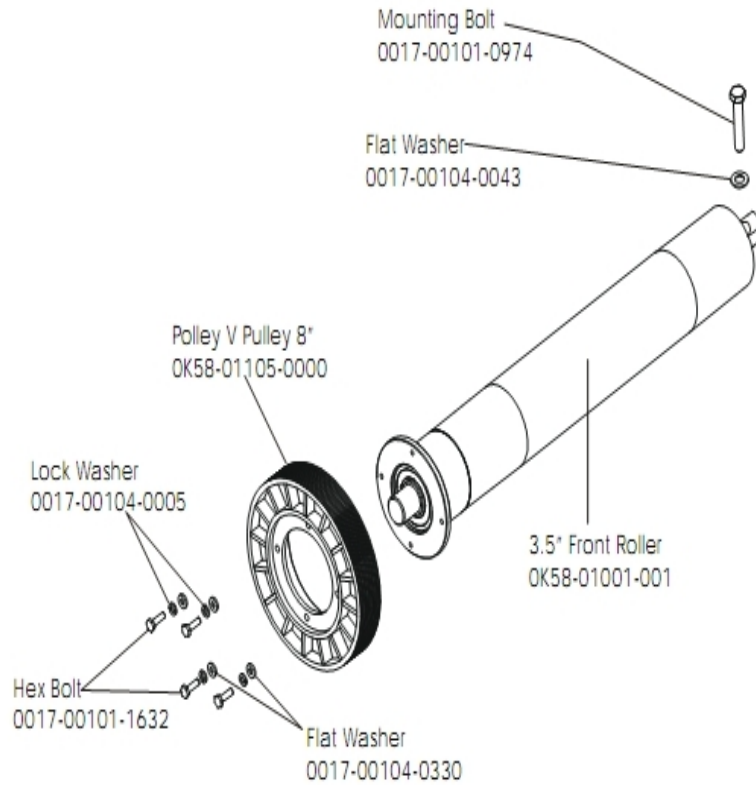
Ref #	Part Number	Qty	Description
-	GK58-00002-0120	2	Display Controller 200-240; LED
-	GK58-00002-0120	2	Display Controller 200-240; LED
-	GK58-00002-0120	2	Display Controller 200-240; LED
-	GK58-00002-0120	2	Display Controller 200-240; LED

Ergo Bar And Heart Rate Sensors



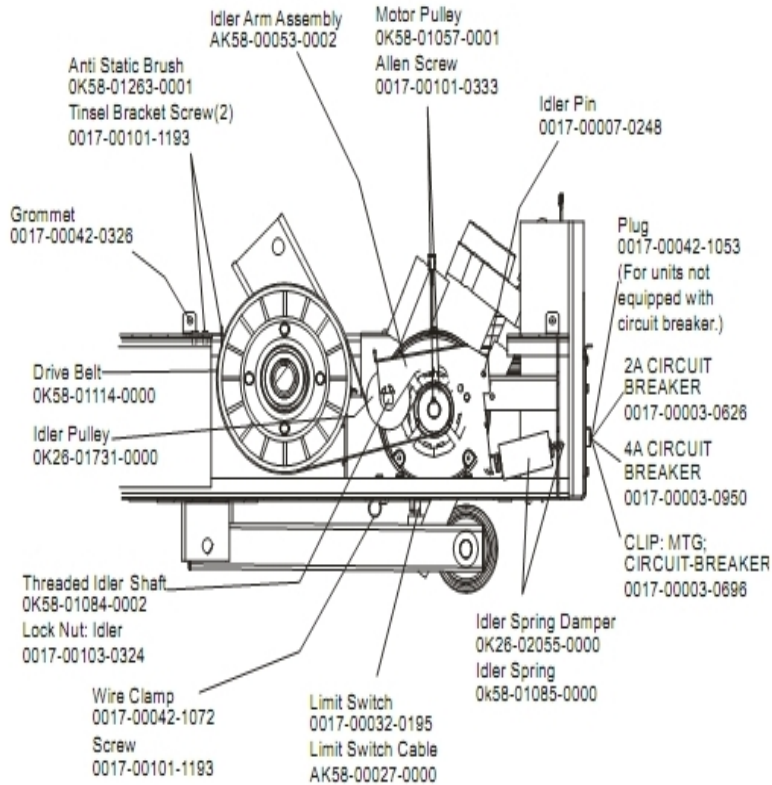
Ref #	Part Number	Qty	Description
-	AK58-00064-0000	2	I/R Lens Cover Assembly
-	AK58-00219-0000	2	Ergo Bar with Heart Rate Sensors
-	0017-00101-0824	4	Hardware: Screw 1.125"
-	OK58-01347-0000	4	ErgoBar Gasket
-	AK58-00376-0001	2	Ergo-Bar Overmold Assembly
-	GK20-00002-0005	4	Heart Rate Electrode Kit

Front Roller Assembly



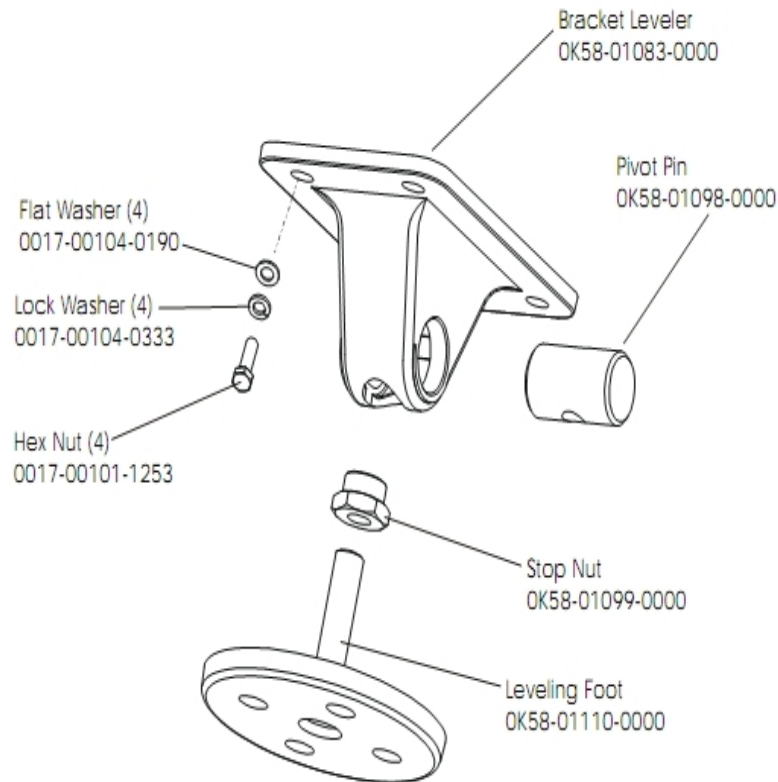
Ref #	Part Number	Qty	Description
-	0017-00101-0974	2	Hardware: Mounting Bolt 2"
-	0017-00104-0043	2	Hardware: Flat Washer 0.734" OD
-	0017-00104-0005	8	Hardware: Lock Washer 0.489" OD
-	OK58-01001-0001	2	Front Roller - 3.5"
-	0017-00101-1632	8	Hardware: Hex Bolt 0.875"
-	AK58-00066-0000	2	Front Roller Assembly
-	0017-00104-0330	8	Hardware: Flat Washers 0.562" OD
-	OK58-01105-0000	2	Drive Pulley Poly V - 8"

Idler Arm Assembly



Ref #	Part Number	Qty	Description
-	OK58-01057-0001	2	Drive Pulley - 1.971"
-	0017-00042-1053	2	Plug (For units not equipped with circuit breaker.)
-	0017-00103-0324	2	Hardware: Thin Lock Nut 3/8" ID
-	AK58-00027-0000	2	Limit Switch Cable
-	OK26-01731-0000	2	Plastic Idler 2 5/8" OD
-	OK26-02055-0000	2	Spring Damper
-	0017-00032-0195	2	Home Switch
-	0017-00042-1072	2	Hardware: Wire Clamp - 5/8"
-	0017-00003-0696	2	Line Cord: International High Voltage (Cont.) 103"
-	0017-00007-0248	2	Hardware: Locking Pin .31" D 2.125" L
-	0017-00042-0326	2	Hardware: Plastic Grommet
-	0017-00101-1193	6	Hardware: Screw 0.375"
-	OK58-01114-0000	2	Poly-V Drive Belt - 370J12
-	0017-00003-0626	2	CIRCUIT-BREAKER:2A 200-240V
-	0017-00003-0950	2	100v 4 AMP Breaker
-	OK58-01084-0002	2	Threaded Shaft
-	OK58-01085-0000	2	Extension Spring
-	OK58-01263-0001	2	Tinsel Bracket
-	0017-00101-0333	2	Hardware: Screw 0.3125"
-	AK58-00053-0002	2	Idler Arm Assembly

Leg Leveler Assembly

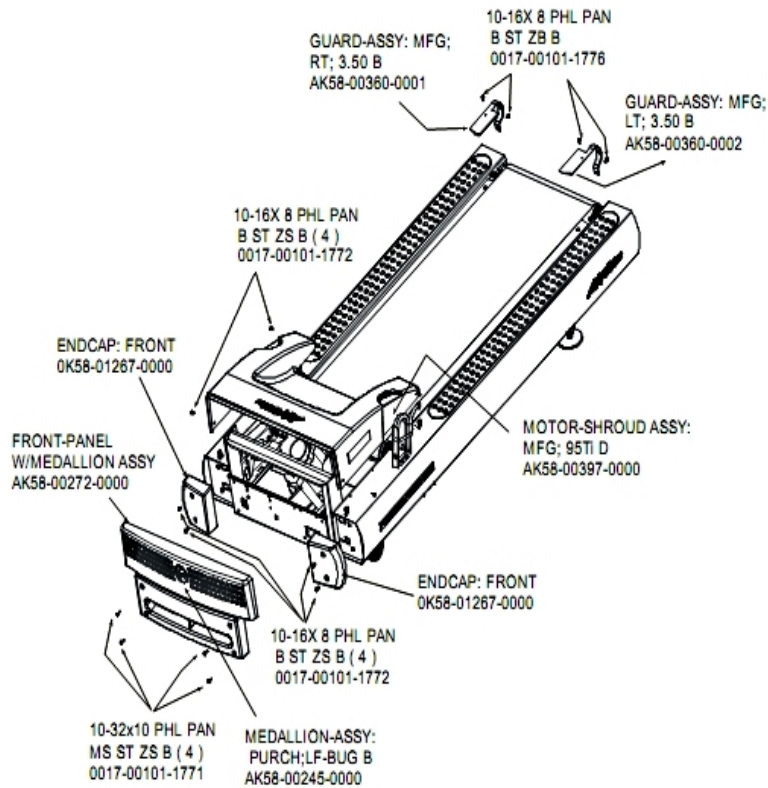


Ref #	Part Number	Qty	Description
-	AK58-00370-0000	8	Leveler Assembly
-	0017-00101-1652	8	Hardware: Spring Mounting Screw 1"
-	0017-00104-0333	8	Hardware: Washer 0.683" OD
-	0017-00104-0190	8	Hardware: Flat Washer 0.734" OD
-	OK58-01110-0000	2	Leveler Foot
-	OK58-01098-0000	2	Hardware: Pivot Pin
-	OK58-01099-0000	2	Hardware: Stop Nut
-	OK58-01083-0000	2	Leveler Bracket

Line Cords And Line Cord Options

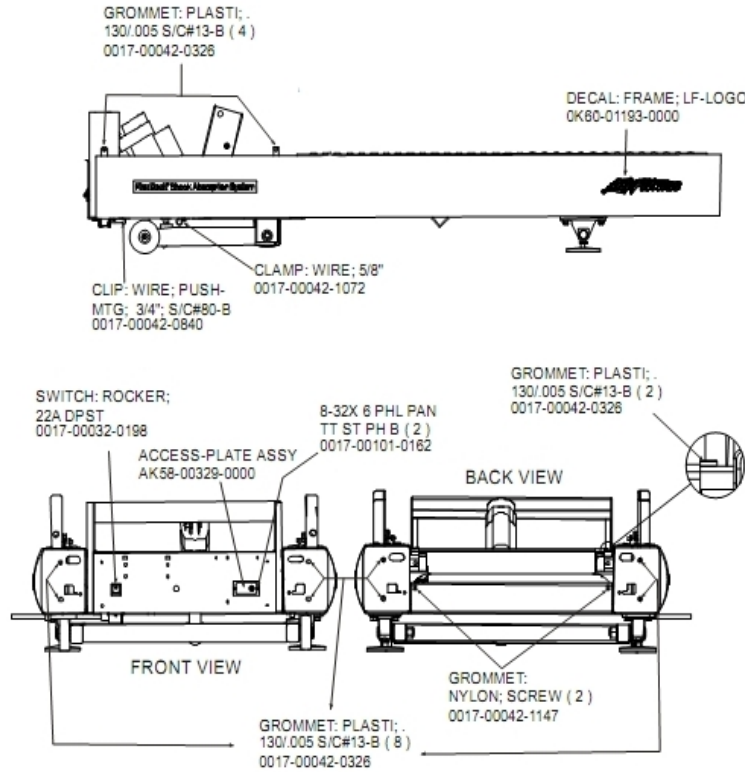
Ref #	Part Number	Qty	Description
-	0017-00003-0981	2	LINE-CORD: R/A; with PLUG 220/60 7.5'
-	0017-00003-0696	1	Line Cord: International High Voltage (Cont.) 103"
-	0017-00003-0996	1	Line Cord: Australia 230/50
-	0017-00003-0948	2	12' 220v Line Cord
-	0017-00003-0890	1	Line Cord: UK

Motor Cover, Front Cover And Front End Caps



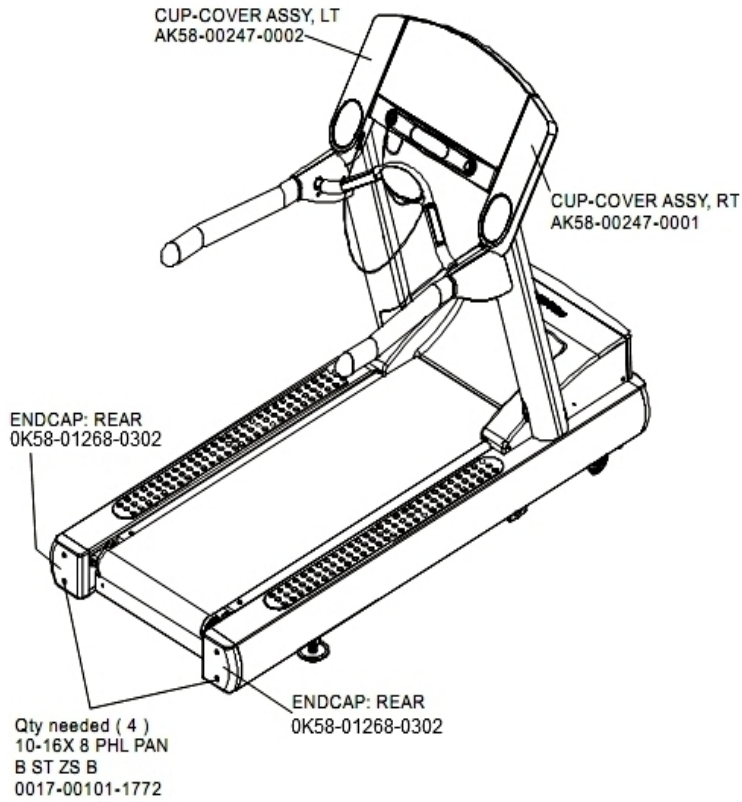
Ref #	Part Number	Qty	Description
-	AK58-00360-0001	2	Rear Roller Guard: Right
-	AK58-00397-0000	2	Motor Shroud
-	0017-00101-1772	16	Hardware: Phillips Pan Screw 0.5"
-	AK58-00245-0000	2	Bug Medallion
-	0017-00101-1776	2	Hardware: Mounting Screw 0.5"
-	0017-00101-1771	8	Hardware: Phillips Pan Screw
-	OK58-01267-0000	4	End Cap
-	AK58-00272-0000	2	Front Panel with Medallion
-	AK58-00360-0002	2	Rear Roller Guard: Left

On-Off Switch, Access Plate And Grommets



Ref #	Part Number	Qty	Description
-	0017-00101-0162	4	Hardware: Screw 0.375"
-	AK58-00329-0000	2	Access Panel Assembly
-	0017-00042-0840	2	Hardware: Push Mount Clip
-	OK60-01193-0000	4	Decal: LF Logo
-	0017-00032-0198	2	On/Off Switch 22A
-	0017-00042-0326	28	Hardware: Plastic Grommet
-	0017-00042-1147	4	Hardware: Nylon Grommet
-	0017-00042-1072	2	Hardware: Wire Clamp - 5/8"

Rear End Caps And Cups Holders



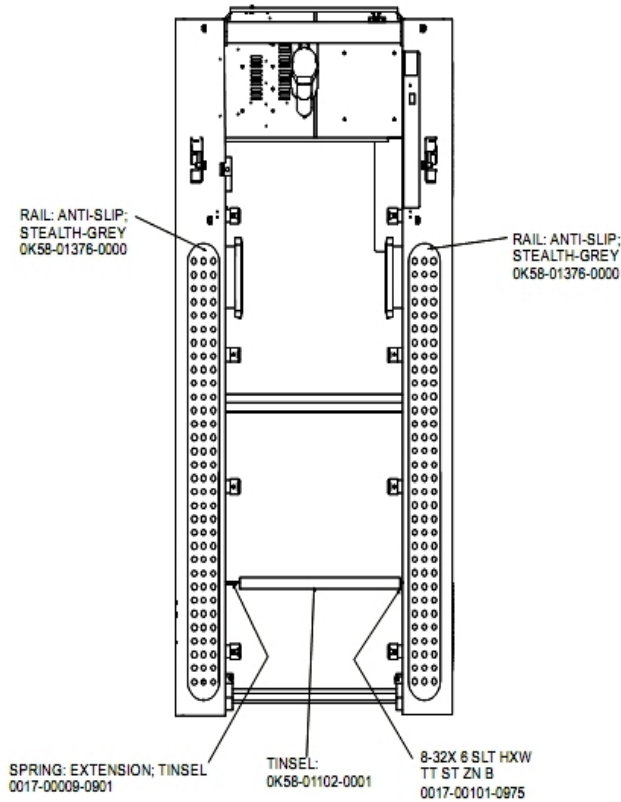
Ref #	Part Number	Qty	Description
-	0017-00101-1772	8	Hardware: Phillips Pan Screw 0.5"
-	OK58-01268-0302	4	ENDCAP: REAR; STEALTH D
-	AK58-00247-0001	2	Cup Holder Right
-	AK58-00247-0002	2	Cup Holder Left

References

Ref #	Part Number	Qty	Description
-	AK58-00226-0000	2	Hardware Bag
-	AK58-00360-0001	2	Rear Roller Guard: Right
-	GK58-00002-0095	2	Roller Guard kit
-	0017-00008-0204	2	Paint Spray Can - Arctic Silver
-	0017-00042-0840	10	Hardware: Push Mount Clip
-	0017-00101-1770	12	Hardware: Phillips Pan Screw 0.5"
-	0K58-01376-0000	4	Anti-Scuff Pad
-	0017-00101-1772	12	Hardware: Phillips Pan Screw 0.5"
-	0K58-01347-0000	4	ErgoBar Gasket
-	AK58-00360-0002	2	Rear Roller Guard: Left
-	0017-00008-0206	2	.33oz Pen - Arctic Silver
-	0017-00042-0326	8	Hardware: Plastic Grommet
-	0017-00042-1147	4	Hardware: Nylon Grommet
-	0017-00103-0327	8	Hardware: Hex Nut 5/16" ID
-	0K58-01305-0002	4	Upright Plug
-	0017-00101-1778	8	Hardware: Hex Bolt 1"
-	0017-00008-0211	2	Paint: Shadow-Gray Touch Up: .6 OZ Bottle
-	0017-00101-1774	8	Hardware: TORX Screw 2.5"
-	0017-00101-1780	16	Hardware: Mounting Screws
-	GK58-00002-0071	8	Anti-Slip Rail
-	0017-00008-0210	2	Paint: Shadow-Gray Touch Up: .6 OZ Bottle
-	0017-00101-1776	8	Hardware: Mounting Screw 0.5"

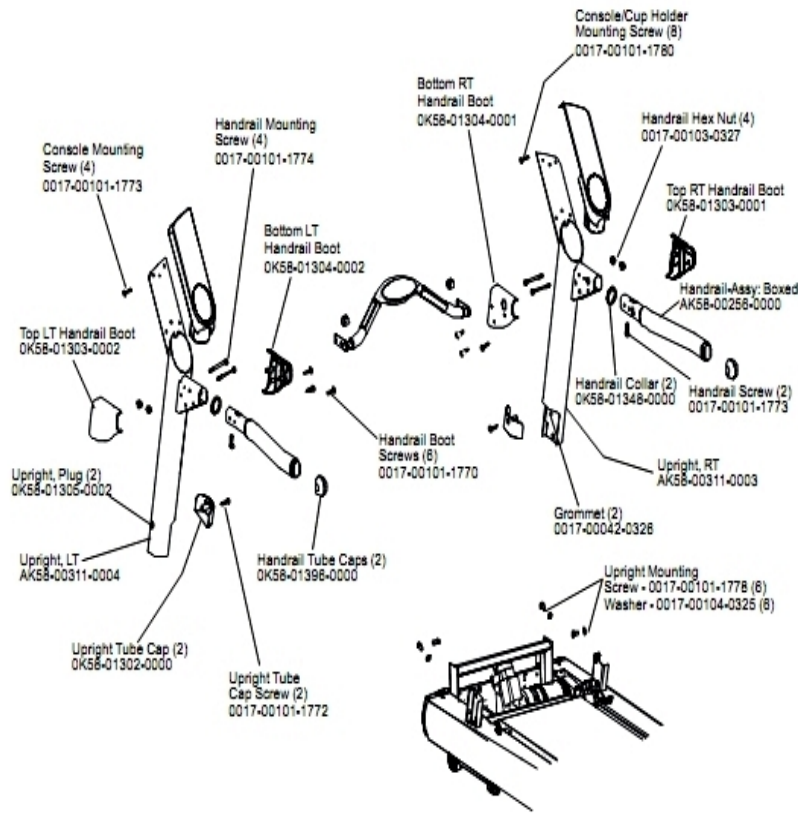
Ref #	Part Number	Qty	Description
-	0017-00101-1773	12	Hardware: TORX Screw 0.5"
-	0017-00009-1049	2	Torx Wrench
-	0017-00104-0325	8	Hardware: Washer 0.873" OD
-	0017-00008-0205	2	5 oz Bottle - Arctic Silver
-	M051-00K58-B128	2	Service Instructions - Roller Guards

Scuff Pad And Tinsel



Ref #	Part Number	Qty	Description
-	0017-00101-0975	2	Hardware: Mounting Bolt 0.375"
-	0017-00009-0901	2	Tinsel Extension Spring
-	OK58-01102-0001	2	Anti-Static Tinsel
-	OK58-01376-0000	4	Anti-Scuff Pad

Uprights And Handrails



Ref #	Part Number	Qty	Description
-	0017-00101-1773	12	Hardware: TORX Screw 0.5"
-	0017-00104-0325	12	Hardware: Washer 0.873" OD
-	OK58-01396-0000	4	Endcap
-	OK58-01303-0002	2	Top Left Handrail Boot
-	OK58-01304-0001	2	Bottom Right Handrail Boot
-	OK58-01304-0002	2	Bottom Left Handrail Boot
-	0017-00101-1772	4	Hardware: Phillips Pan Screw 0.5"
-	OK58-01303-0001	2	Top Right Handrail Boot
-	0017-00042-0326	4	Hardware: Plastic Grommet
-	0017-00103-0327	8	Hardware: Hex Nut 5/16" ID
-	OK58-01302-0103	4	Cap: Upright Tube; Arctic Silver
-	OK58-01305-0002	4	Upright Plug
-	AK58-00256-0001	2	Handrail
-	AK58-00311-0004	2	Upright: Left
-	0017-00101-1778	12	Hardware: Hex Bolt 1"
-	0017-00101-1774	8	Hardware: TORX Screw 2.5"
-	0017-00101-1780	16	Hardware: Mounting Screws
-	AK58-00311-0003	2	Upright: Right
-	OK58-01348-0000	4	Handrail Collar
-	0017-00101-1770	12	Hardware: Phillips Pan Screw 0.5"

