

95Ti Treadmill - 4HP AC - Heart Rate

95T-0102-07

Parts Manual

1/5/2019 10:33:18 AM



LifeFitness
WHAT WE LIVE FOR

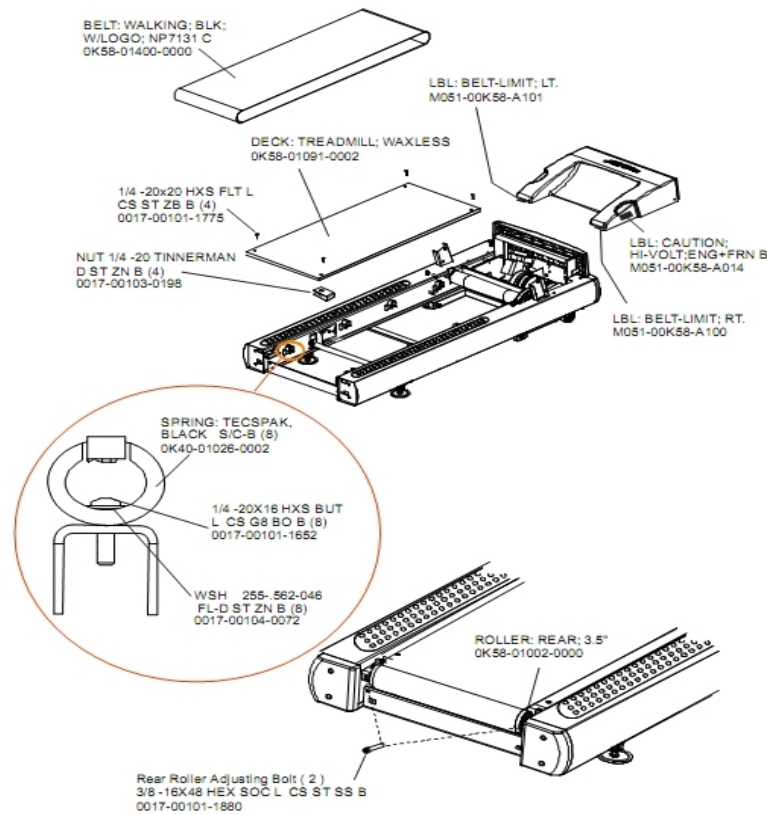
Table of Contents

A-Z Module With Overlay Assembly.....	3
Belt, Deck And Rear Roller.....	4
Block Diagram - Console View.....	5
Block Diagram - DSP View.....	6
Block Diagram - Line Filter View.....	7
Circuit Breaker, Line Cords And Line Cord Options.....	8
Console Components.....	9
Console, Overlay Assembly And Overlay.....	10
Contents.....	11
Drive Motor Assembly.....	12
DSP Controller Assembly.....	13
Ergo Bar, Heart Rate Sensors And Activity Zone.....	14
Front Roller Assembly.....	15
Idler Arm Assembly.....	16
Leg Leveler Assembly.....	17
Lift Frame, Lift Motor And IEC Receptacle.....	18
Motor Cover, Front Cover And Front End Caps.....	19
On-Off Switch, Access Plate And Grommets.....	20
Rear End Caps And Cup Holders.....	21
References.....	22
Scuff Pad And Tinsel.....	23
Stride Sensor Assembly And Stride Sensor Pcb Assembly.....	24
Uprights And Handrails.....	25

A-Z Module With Overlay Assembly

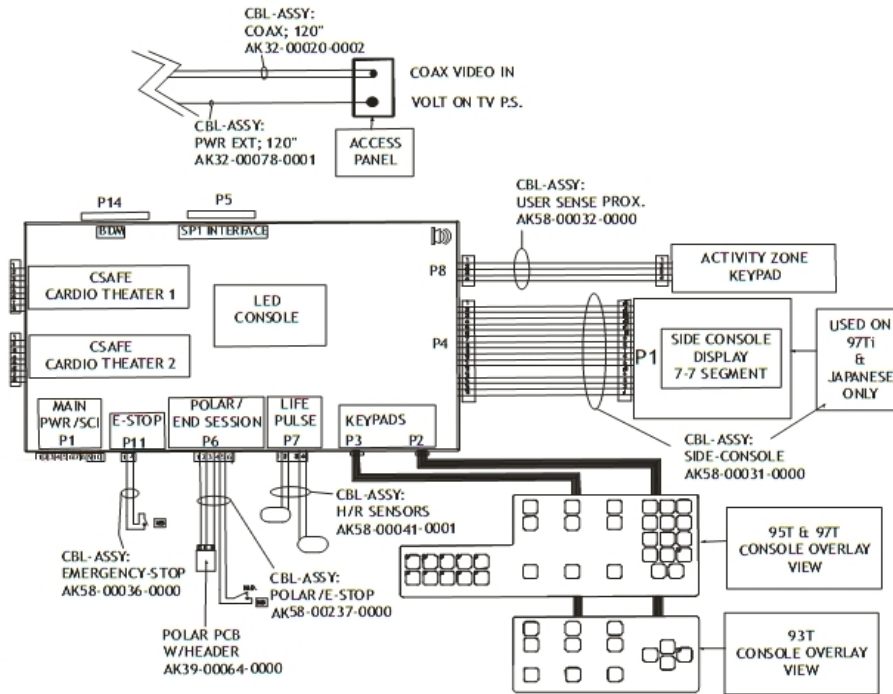
Ref #	Part Number	Qty	Description
-	AK58-00555-0002	1	Activity Zone Assembly: English/Metric
-	0K58-01459-0002	1	Activity Zone Overlay English/Metric

Belt, Deck And Rear Roller



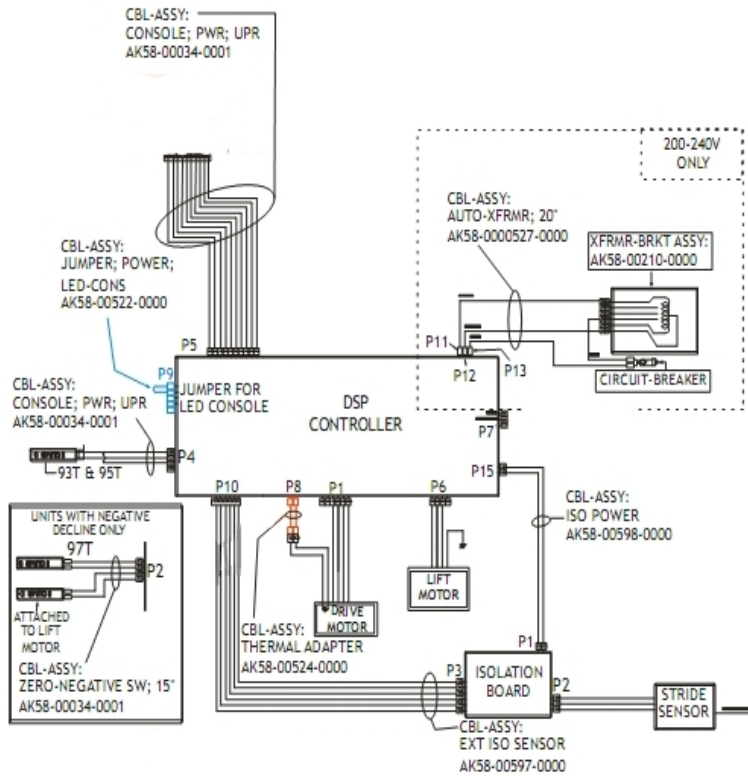
Ref #	Part Number	Qty	Description
-	0017-00103-0198	4	Hardware: Tinnerman Clip 1/4" ID
-	0017-00101-1775	4	Hardware: Deck Screws 1.25"
-	M051-00K58-A101	1	Belt Limit Label. Left
-	M051-00K58-A014	1	Label: Caution
-	0K58-01002-0000	1	Rear Roller - 3.5"
-	0017-00101-1880	2	Hardware: Tension Bolts 3"
-	0017-00101-1652	8	Hardware: Spring Mounting Screw 1"
-	0K58-01400-0000	1	Striding Belt
-	M051-00K58-A100	1	Label: Belt Limit: Right
-	0017-00104-0072	8	Hardware: Flat Washer 0.562" OD
-	0K65-01263-0000	1	Deck
-	0K40-01026-0002	8	Deck Spring

Block Diagram - Console View



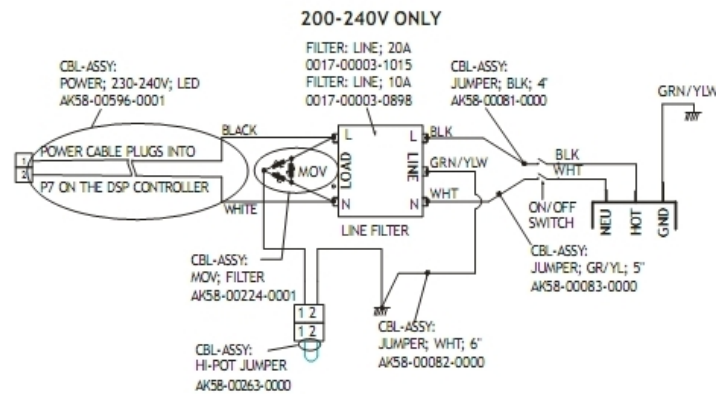
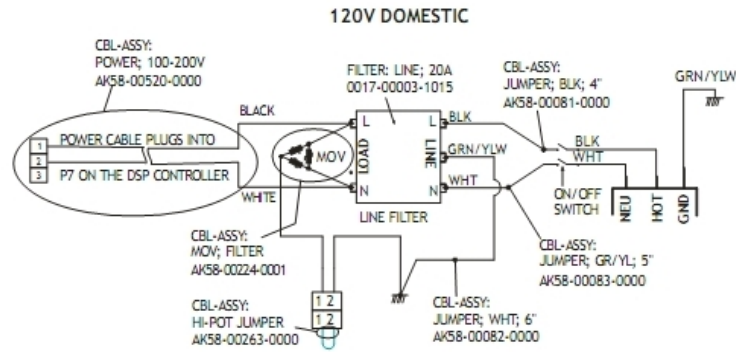
Ref #	Part Number	Qty	Description
-	AK58-00237-0000	1	Cable-Assembly: Polar/E-Stop
-	AK32-00078-0001	1	Power Extension Cable: 120"
-	AK58-00036-0000	1	Cable-Assembly: Emergency-Stop Switch
-	118E-00001-0259	1	Wireless Receiver Module, Non-Coded
-	AK32-00020-0002	1	Coax Cable: 120"
-	AK58-00031-0000	1	Side Console Cable Assembly
-	AK58-00041-0001	1	Heart Rate Sensor Cable
-	AK58-00032-0000	1	User Proximity Sensor Cable

Block Diagram - DSP View



Ref #	Part Number	Qty	Description
-	AK58-00598-0000	1	Cable: ISO Power
-	AK58-00210-0000	1	Transformer-Bracket Assembly
-	AK58-00527-0000	1	Auto-Transformer: Use on High Voltage
-	AK58-00597-0000	1	Cable Extension ISO Sensor
-	AK58-00034-0001	3	Console Power Cable
-	AK58-00524-0000	1	Cable: Thermal Adapter
-	AK58-00522-0000	1	Cable: Jumper; Power; LED Console

Block Diagram - Line Filter View

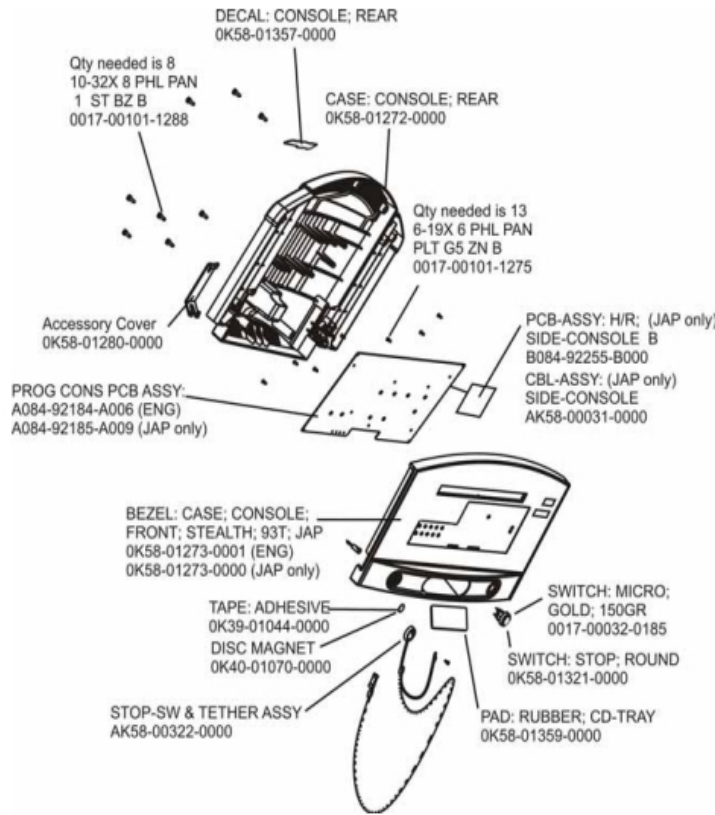


Ref #	Part Number	Qty	Description
-	0017-00003-0898	1	10 amp Line Filter (INT)
-	AK58-00081-0000	1	Jumper Cable Assembly: Black - 4"
-	AK58-00596-0001	1	Power Cable: 230-240V
-	AK58-00224-0001	1	Cable: MOV; Fliter
-	AK58-00082-0000	1	Jumper Cable Assembly: White - 6"
-	0017-00003-1015	1	20 amp Line Filter (DOM)
-	AK58-00263-0000	1	Hi-Pot Jumper Cable
-	AK58-00083-0000	1	Cable Assembly

Circuit Breaker, Line Cords And Line Cord Options

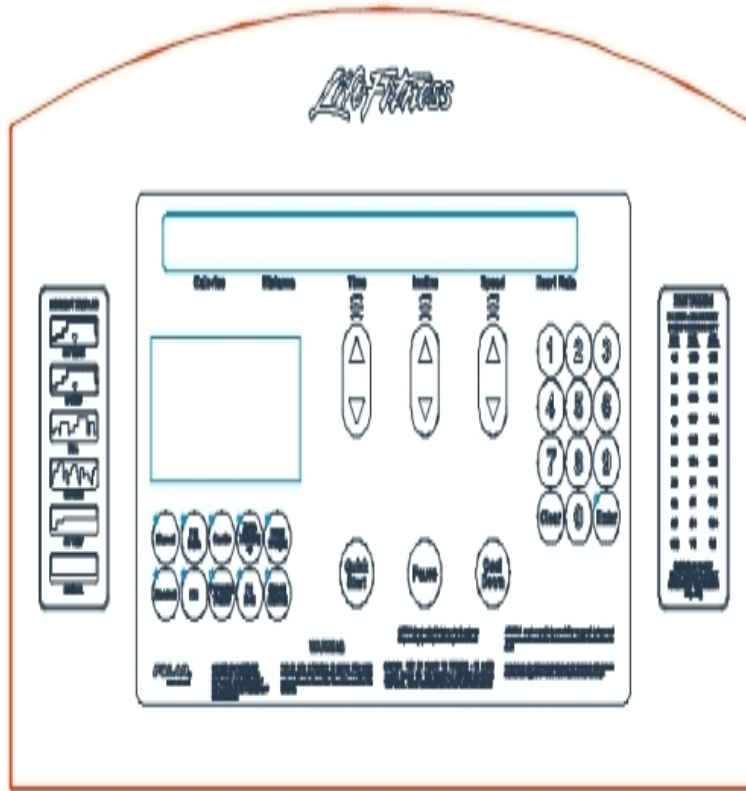
Ref #	Part Number	Qty	Description
-	0017-00003-0948	1	12' 220v Line Cord
-	0017-00003-0980	1	Line Cord: US Low Voltage 144"
-	0017-00003-0974	1	Line Cord: 120V: 8'

Console Components



Ref #	Part Number	Qty	Description
-	0017-00101-1275	13	Hardware: Phillips Screw 0.375"
-	AK58-00031-0000	1	Side Console Cable Assembly
-	0K58-01273-0001	1	Front Console Case
-	B084-92255-B000	1	PCB Assembly
-	AK58-00322-0000	1	Tether Stop Assembly
-	A084-92185-A009	1	PCB Assembly
-	0K58-01272-0000	1	Rear Console Case
-	0017-00032-0185	1	Micro Switch 150GR
-	A084-92184-A006	1	PCB Assembly
-	0K58-01273-0000	1	Front Console Case
-	0K58-01359-0000	1	Rubber Pad
-	0017-00101-1288	8	Hardware: Phillips Screw 0.5"
-	0K58-01357-0000	1	Decal
-	0K58-01321-0000	1	Stop Switch
-	0K58-01280-0000	1	Accessory Cover
-	0K39-01044-0000	1	Tape
-	0K40-01070-0000	1	Magnetic Disk

Console, Overlay Assembly And Overlay

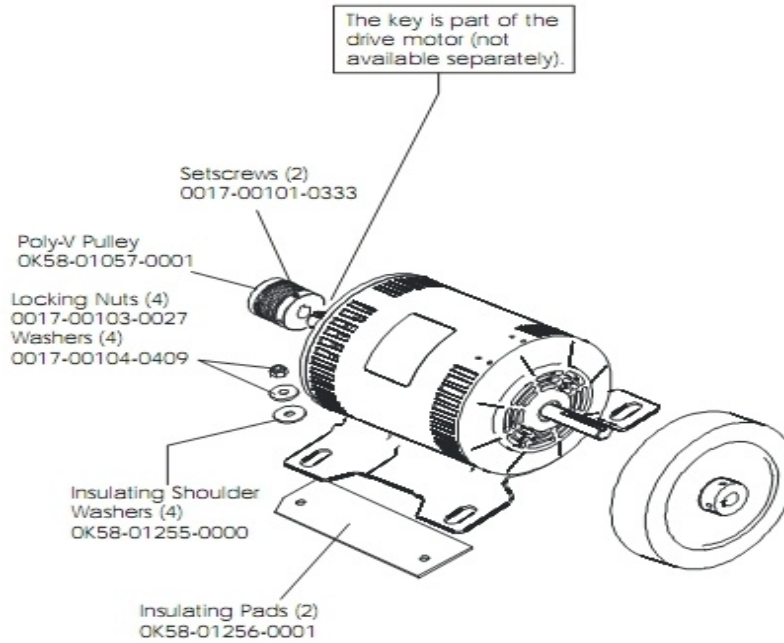


Ref #	Part Number	Qty	Description
-	0K58-01298-0001	1	Console English/Metric
-	AK58-00580-0002	1	Console: English/Metric
-	AK58-00203-0002	1	Overlay/Bezel Assembly Eng/Metric

Contents

Ref #	Part Number	Qty	Description
-	0017-00008-0210	1	Paint: Shadow-Gray Touch Up: .6 OZ Bottle
-	GK58-00002-0071	1	Anti-Slip Rail
-	0017-00008-0211	1	Paint: Shadow-Gray Touch Up: .6 OZ Bottle
-	0017-00042-1147	2	Hardware: Nylon Grommet
-	0017-00042-0326	2	Hardware: Plastic Grommet
-	0017-00008-0206	1	.33oz Pen - Arctic Silver
-	AK58-00360-0002	1	Rear Roller Guard: Left
-	0K58-01376-0000	2	Anti-Scuff Pad
-	0017-00008-0204	1	Paint Spray Can - Arctic Silver
-	GK58-00002-0095	1	Roller Guard kit
-	AK58-00360-0001	1	Rear Roller Guard: Right
-	0017-00101-1776	4	Hardware: Mounting Screw 0.5"
-	0017-00008-0205	1	5 oz Bottle - Arctic Silver
-	M051-00K58-B128	1	Service Instructions - Roller Guards

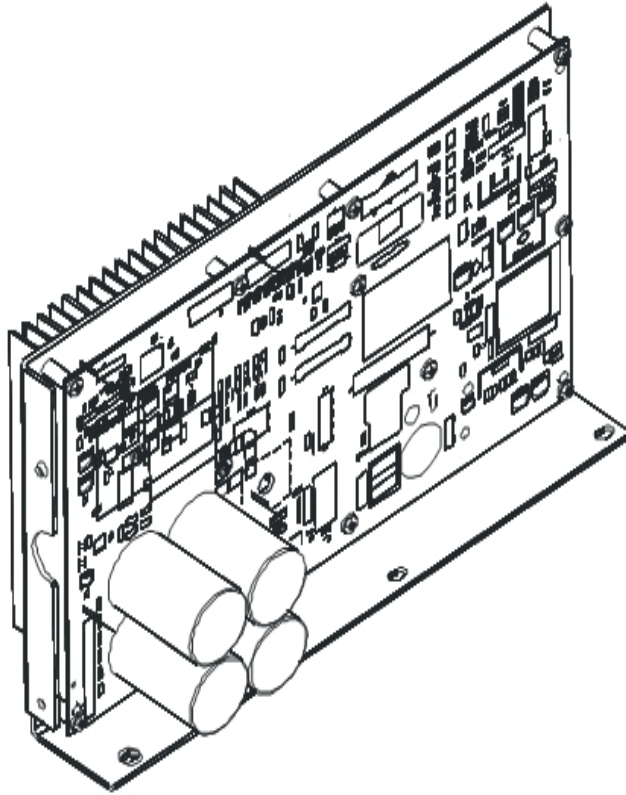
Drive Motor Assembly



Description	Part Nos.	
	S/N TSS100000—TSS102326	S/N TSS102327 and up
Drive Motor Assembly	AK58-00171-0001 (dual cable)	AK58-00171-0002 (tapered shaft)
Cast Iron Flywheel	OK58-01092-0002	OK58-01092-0004
Drive Motor Setscrews/Bolt	0017-00101-0975 (uses setscrews)	0017-00101-1885 (uses bolt)

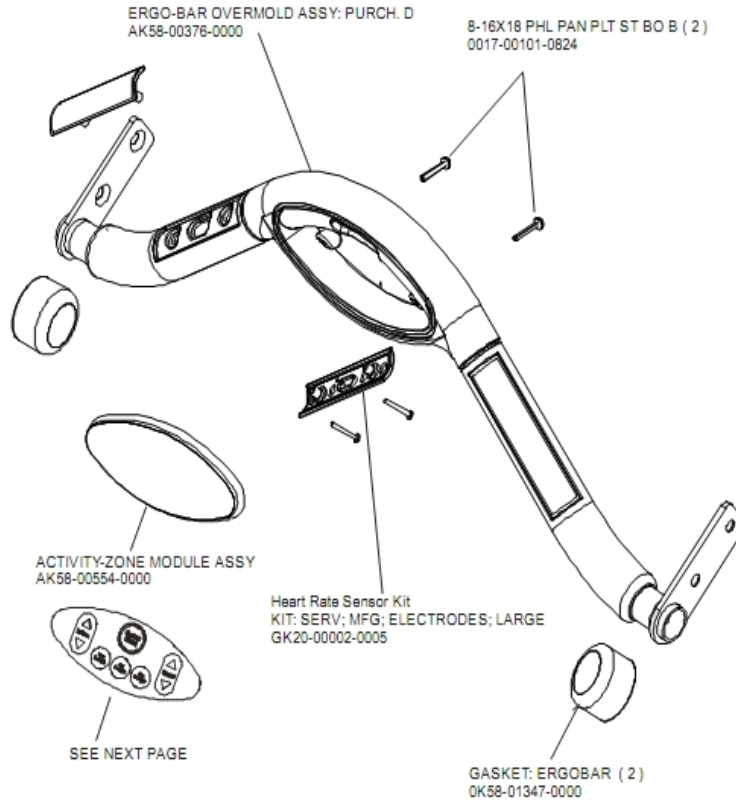
Ref #	Part Number	Qty	Description
-	OK58-01092-0002	1	Cast Iron Flywheel
-	0017-00101-1885	1	Hardware: Hex Bolt 1"
-	OK58-01255-0000	4	Hardware: Insulating Washers
-	OK58-01092-0004	1	Cast Iron Flywheel
-	OK58-01386-0004	1	MOTOR: MAIN DRIVE, 230V/50HZ, W/TAPER
-	0017-00104-0409	4	Hardware: Washer 1.125" OD
-	0017-00101-0333	2	Hardware: Screw 0.3125"
-	OK58-01057-0001	1	Drive Pulley - 1.971"
-	0017-00103-0027	4	Hardware: Locking Nut. 5/16" ID
-	OK58-01256-0001	2	Insulating Pad
-	AK58-00171-0001	1	Drive Motor Assembly
-	0017-00101-0975	1	Hardware: Mounting Bolt 0.375"

DSP Controller Assembly



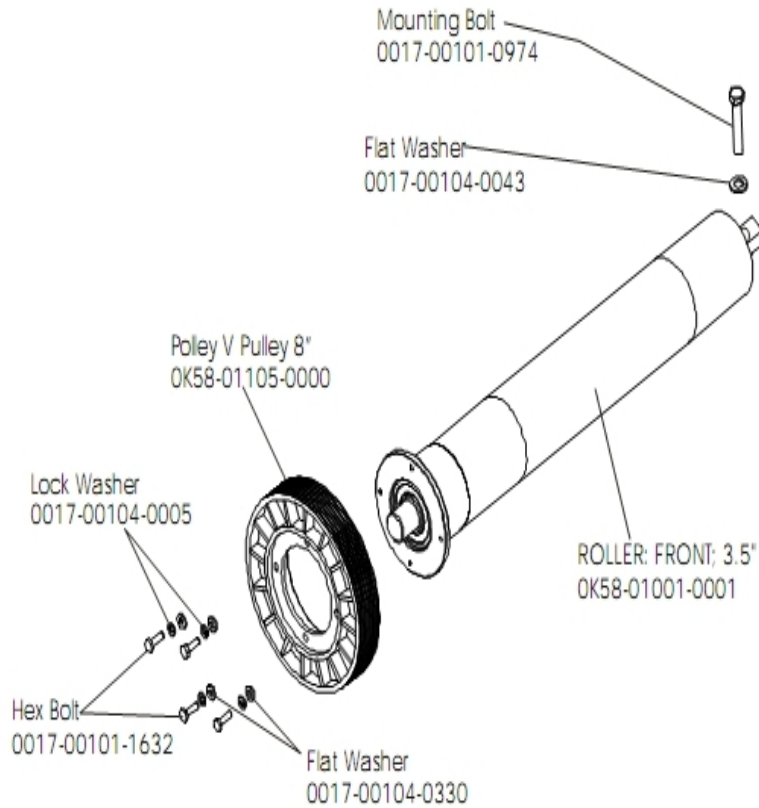
Ref #	Part Number	Qty	Description
-	GK58-00002-0120	1	Display Controller 200-240; LED
-	GK58-00002-0120	1	Display Controller 200-240; LED
-	GK58-00002-0120	1	Display Controller 200-240; LED
-	GK58-00002-0120	1	Display Controller 200-240; LED

Ergo Bar, Heart Rate Sensors And Activity Zone



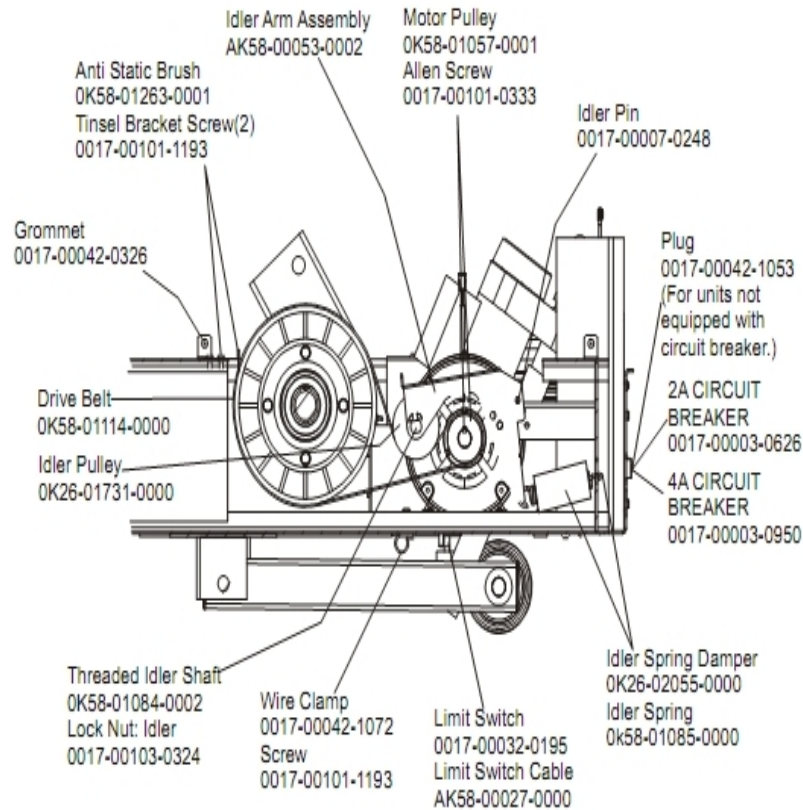
Ref #	Part Number	Qty	Description
-	AK58-00554-0201	1	Activity-Zone Module Assembly: Purchased; Generic Shadow Grey
-	GK20-00002-0005	2	Heart Rate Electrode Kit
-	0017-00101-0824	2	Hardware: Screw 1.125"
-	AK58-00376-0001	1	Ergo-Bar Overmold Assembly
-	0K58-01347-0000	2	ErgoBar Gasket

Front Roller Assembly



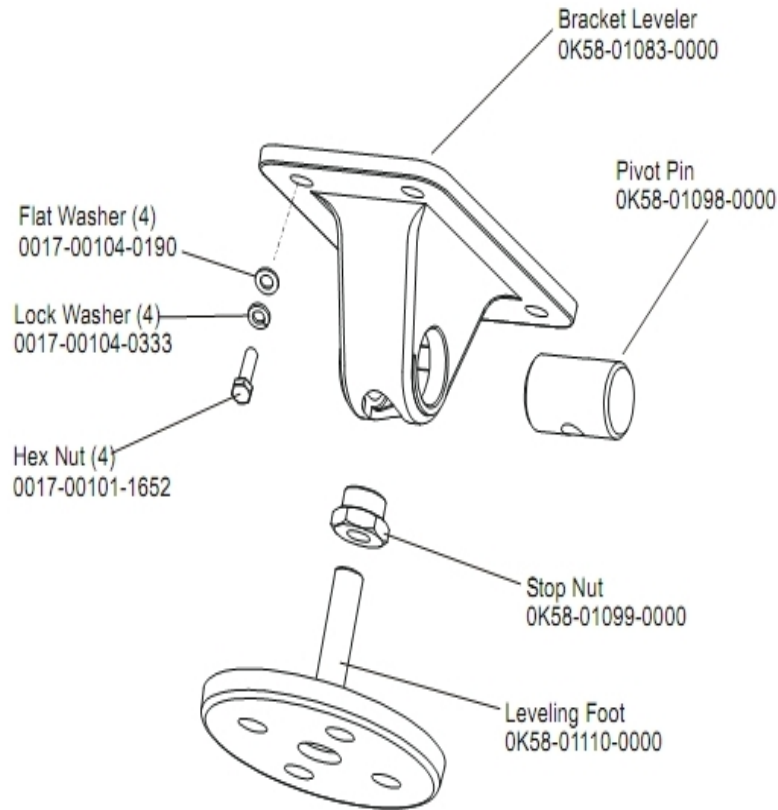
Ref #	Part Number	Qty	Description
-	0017-00101-0974	1	Hardware: Mounting Bolt 2"
-	0017-00104-0043	1	Hardware: Flat Washer 0.734" OD
-	0017-00104-0005	4	Hardware: Lock Washer 0.489" OD
-	OK58-01001-0001	1	Front Roller - 3.5"
-	OK58-01105-0000	1	Drive Pulley Poly V - 8"
-	0017-00104-0330	4	Hardware: Flat Washers 0.562" OD
-	AK58-00066-0000	1	Front Roller Assembly
-	0017-00101-1632	4	Hardware: Hex Bolt 0.875"

Idler Arm Assembly



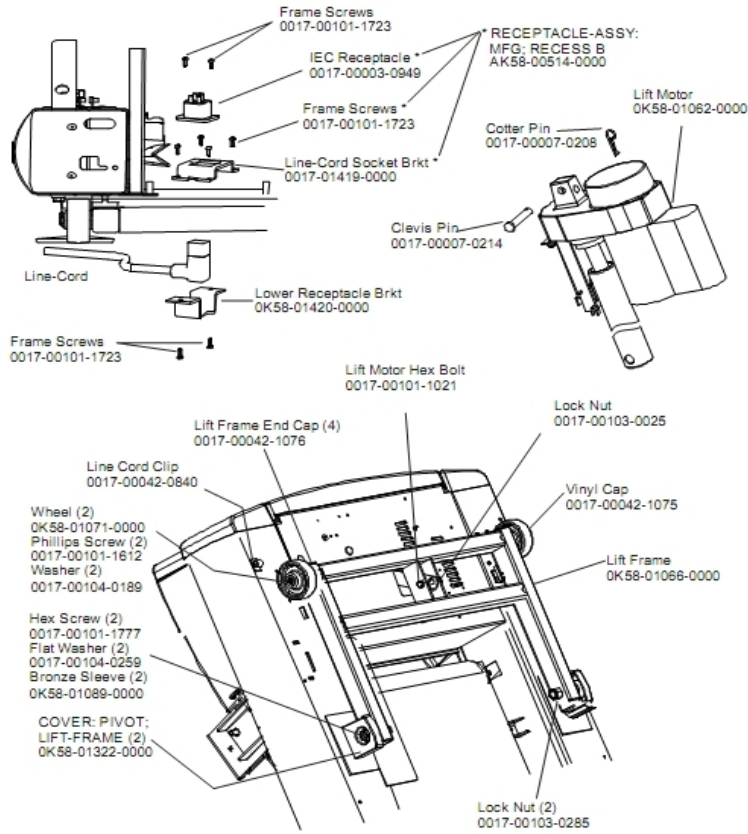
Ref #	Part Number	Qty	Description
-	OK58-01057-0001	1	Drive Pulley - 1.971"
-	0017-00101-0333	1	Hardware: Screw 0.3125"
-	0017-00042-1053	1	Plug (For units not equipped with circuit breaker.)
-	AK58-00027-0000	1	Limit Switch Cable
-	OK26-01731-0000	1	Plastic Idler 2 5/8" OD
-	OK26-02055-0000	1	Spring Damper
-	0017-00032-0195	1	Home Switch
-	0017-00042-1072	1	Hardware: Wire Clamp - 5/8"
-	0017-00101-1193	3	Hardware: Screw 0.375"
-	OK58-01114-0000	1	Poly-V Drive Belt - 370J12
-	0017-00007-0248	1	Hardware: Locking Pin .31" D 2.125" L
-	0017-00042-0326	1	Hardware: Plastic Grommet
-	OK58-01084-0002	1	Threaded Shaft
-	0017-00003-0626	1	CIRCUIT-BREAKER:2A 200-240V
-	0017-00003-0950	1	100v 4 AMP Breaker
-	OK58-01085-0000	1	Extension Spring
-	OK58-01263-0001	1	Tinsel Bracket
-	AK58-00053-0002	1	Idler Arm Assembly
-	0017-00103-0324	1	Hardware: Thin Lock Nut 3/8" ID

Leg Leveler Assembly



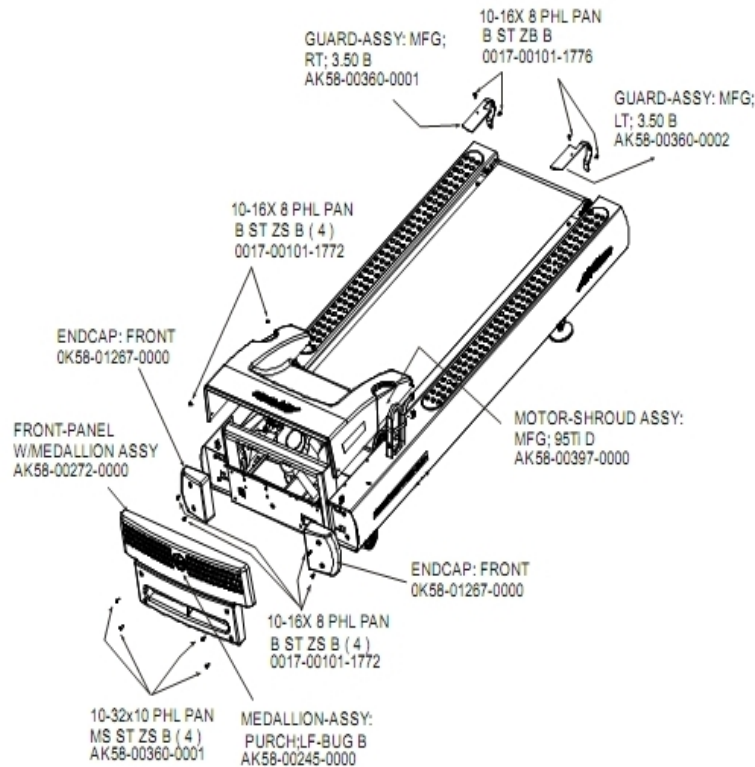
Ref #	Part Number	Qty	Description
-	OK58-01110-0000	1	Leveler Foot
-	AK58-00370-0000	1	Leveler Assembly
-	OK58-01099-0000	1	Hardware: Stop Nut
-	OK58-01098-0000	1	Hardware: Pivot Pin
-	0017-00104-0333	4	Hardware: Washer 0.683" OD
-	0017-00104-0190	4	Hardware: Flat Washer 0.734" OD
-	0017-00101-1652	4	Hardware: Spring Mounting Screw 1"
-	OK58-01083-0000	1	Leveler Bracket

Lift Frame, Lift Motor And IEC Receptacle



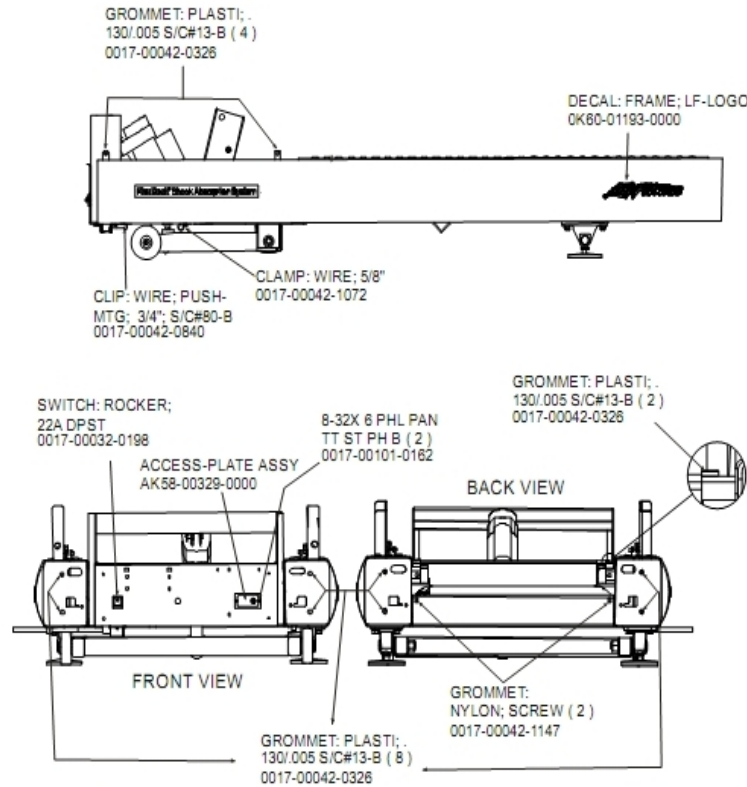
Ref #	Part Number	Qty	Description
-	0017-00007-0214	1	Hardware: Clevis Pin 3/8" D 1.75" L
-	0017-00104-0259	2	Hardware: Washer 1.331" OD
-	0017-00101-1612	2	Hardware: Phillips Screw 0.5"
-	0K58-01071-0000	2	Wheel
-	0017-00042-0840	1	Hardware: Push Mount Clip
-	0K58-01089-0000	2	Bronze Sleeve Bushings
-	0K58-01420-0000	1	Lower Receptacle Bracket
-	0K58-01062-0000	1	Lift Motor - 120/60
-	AK58-00220-0000	1	LIFT-FRAME ASSY: MFG. C
-	0017-00042-1076	4	Lift Frame End Cap
-	0017-00103-0285	2	Hardware: Nut 5/8" ID
-	0K58-01322-0000	2	Lift Frame Pivot Cover
-	0017-00007-0208	1	Hardware: Cotter Pin
-	0017-00101-1777	2	Hardware: Lift Frame Mounting Bolt 2.75"
-	0017-00104-0189	2	Hardware: Flat Washer 1" OD
-	0017-00101-1723	8	Hardware: Phillips Pan Screw 0.375"
-	AK58-00514-0000	1	Receptacle Assembly
-	0017-00003-0949	1	IEC Receptacle
-	0017-00101-1021	1	Hardware: Lift Motor Hex Bolt 2.5"
-	0017-00103-0025	1	Hardware: Locking Nut 3/8" ID
-	0017-00042-1075	1	Vinyl Cap

Motor Cover, Front Cover And Front End Caps



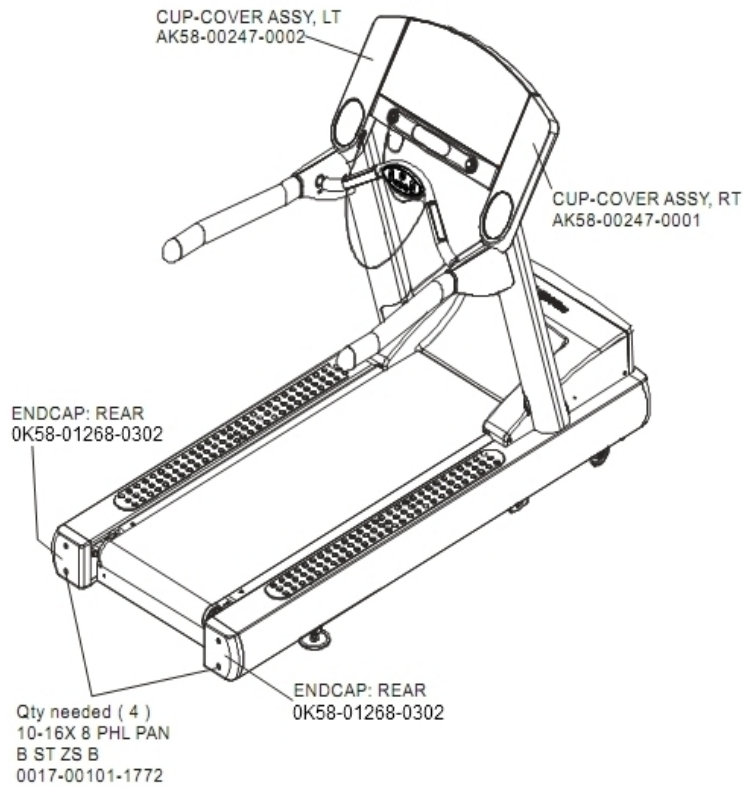
Ref #	Part Number	Qty	Description
-	AK58-00360-0001	5	Rear Roller Guard: Right
-	AK58-00397-0000	1	Motor Shroud
-	0017-00101-1772	8	Hardware: Phillips Pan Screw 0.5"
-	0017-00101-1776	1	Hardware: Mounting Screw 0.5"
-	AK58-00360-0002	1	Rear Roller Guard: Left
-	0K58-01267-0000	2	End Cap
-	AK58-00272-0000	1	Front Panel with Medallion
-	AK58-00245-0000	1	Bug Medallion

On-Off Switch, Access Plate And Grommets



Ref #	Part Number	Qty	Description
-	0017-00101-0162	2	Hardware: Screw 0.375"
-	AK58-00329-0000	1	Access Panel Assembly
-	0017-00042-0840	1	Hardware: Push Mount Clip
-	0K60-01193-0000	2	Decal: LF Logo
-	0017-00032-0198	1	On/Off Switch 22A
-	0017-00042-0326	14	Hardware: Plastic Grommet
-	0017-00042-1147	2	Hardware: Nylon Grommet
-	0017-00042-1072	1	Hardware: Wire Clamp - 5/8"

Rear End Caps And Cup Holders

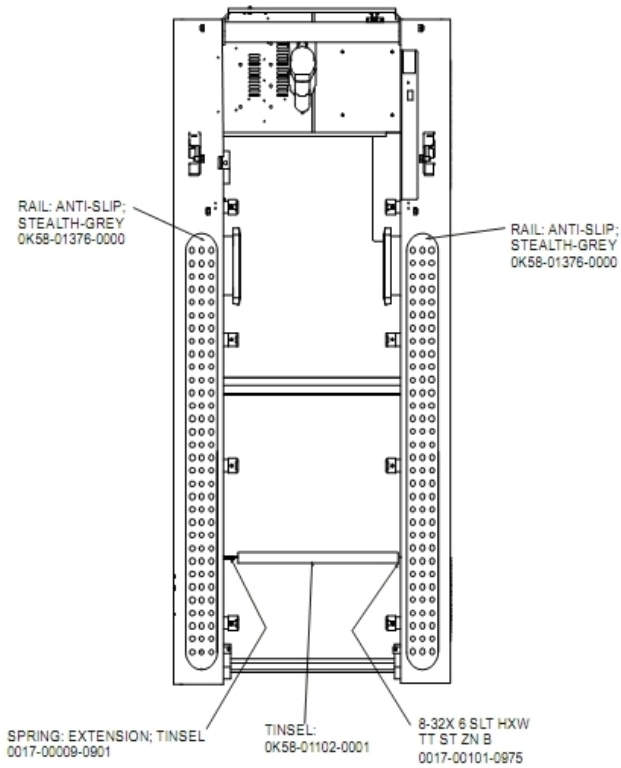


Ref #	Part Number	Qty	Description
-	AK58-00247-0001	1	Cup Holder Right
-	0K58-01268-0302	3	ENDCAP: REAR; STEALTH D
-	0017-00101-1772	4	Hardware: Phillips Pan Screw 0.5"
-	AK58-00247-0002	1	Cup Holder Left

References

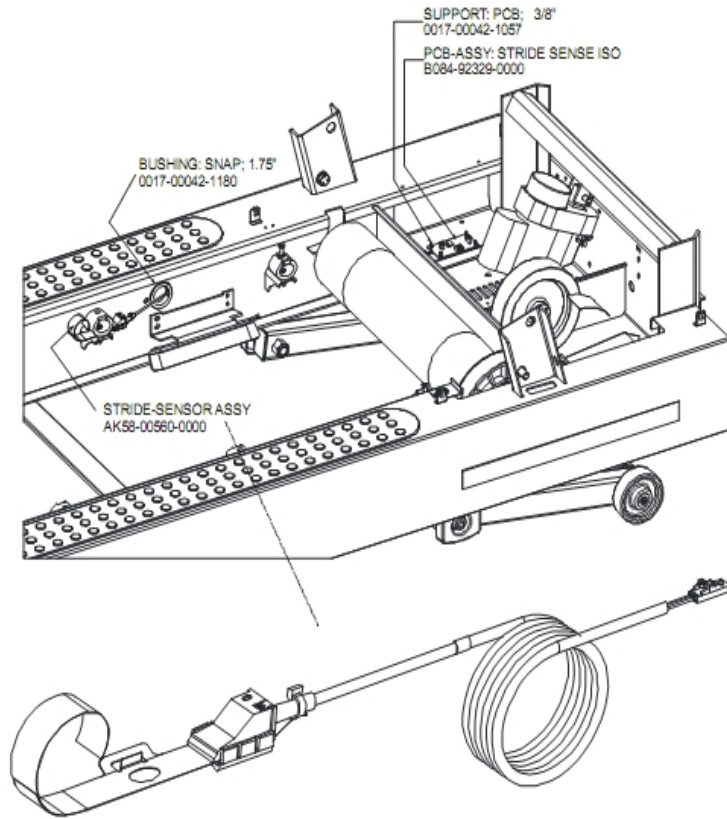
Ref #	Part Number	Qty	Description
-	0017-00042-0840	5	Hardware: Push Mount Clip
-	0017-00101-1770	6	Hardware: Phillips Pan Screw 0.5"
-	0017-00101-1772	6	Hardware: Phillips Pan Screw 0.5"
-	0K58-01347-0000	2	ErgoBar Gasket
-	0017-00042-0326	2	Hardware: Plastic Grommet
-	0017-00103-0327	4	Hardware: Hex Nut 5/16" ID
-	0K58-01305-0002	2	Upright Plug
-	0017-00101-1778	4	Hardware: Hex Bolt 1"
-	0017-00101-1774	4	Hardware: TORX Screw 2.5"
-	0017-00101-1780	8	Hardware: Mounting Screws
-	GK58-00002-0095	1	Roller Guard kit
-	AK58-00226-0000	1	Hardware Bag
-	0017-00104-0325	4	Hardware: Washer 0.873" OD
-	0017-00009-1049	1	Torx Wrench
-	0017-00101-1773	6	Hardware: TORX Screw 0.5"

Scuff Pad And Tinsel



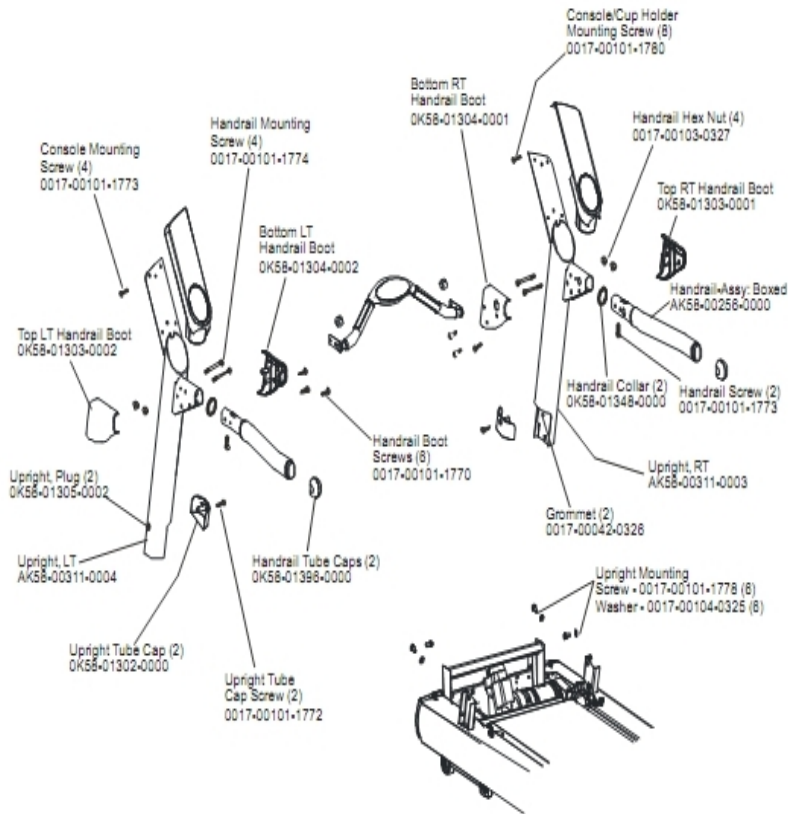
Ref #	Part Number	Qty	Description
-	OK58-01376-0000	2	Anti-Scuff Pad
-	0017-00101-0975	1	Hardware: Mounting Bolt 0.375"
-	OK58-01102-0001	1	Anti-Static Tinsel
-	0017-00009-0901	1	Tinsel Extension Spring

Stride Sensor Assembly And Stride Sensor Pcb Assembly



Ref #	Part Number	Qty	Description
-	0017-00042-1180	1	Hardware: Snap Bushing - 1.75"
-	AK58-00560-0000	1	Stride Sensor Assembly
-	B084-92329-0000	1	PCB-ASSY: STRIDE SENSE ISO
-	0017-00042-1057	1	Support: Printed Circuit Board; 3/8"

Uprights And Handrails



Ref #	Part Number	Qty	Description
-	0017-00101-1773	6	Hardware: TORX Screw 0.5"
-	0017-00104-0325	6	Hardware: Washer 0.873" OD
-	0K58-01396-0000	2	Endcap
-	0K58-01303-0002	1	Top Left Handrail Boot
-	0K58-01304-0001	1	Bottom Right Handrail Boot
-	0017-00101-1772	2	Hardware: Phillips Pan Screw 0.5"
-	0K58-01303-0001	1	Top Right Handrail Boot
-	0017-00042-0326	2	Hardware: Plastic Grommet
-	0017-00103-0327	4	Hardware: Hex Nut 5/16" ID
-	0K58-01302-0103	2	Cap: Upright Tube; Arctic Silver
-	0K58-01305-0002	2	Upright Plug
-	AK58-00256-0001	1	Handrail
-	AK58-00311-0004	1	Upright: Left
-	0017-00101-1778	6	Hardware: Hex Bolt 1"
-	0017-00101-1774	4	Hardware: TORX Screw 2.5"
-	0017-00101-1780	8	Hardware: Mounting Screws
-	AK58-00311-0003	1	Upright: Right
-	0K58-01348-0000	2	Handrail Collar
-	0017-00101-1770	6	Hardware: Phillips Pan Screw 0.5"

