

95Ti Treadmill - 4HP AC DSP - Heart Rate

95T-0103-05

Parts Manual

1/5/2019 10:34:43 AM

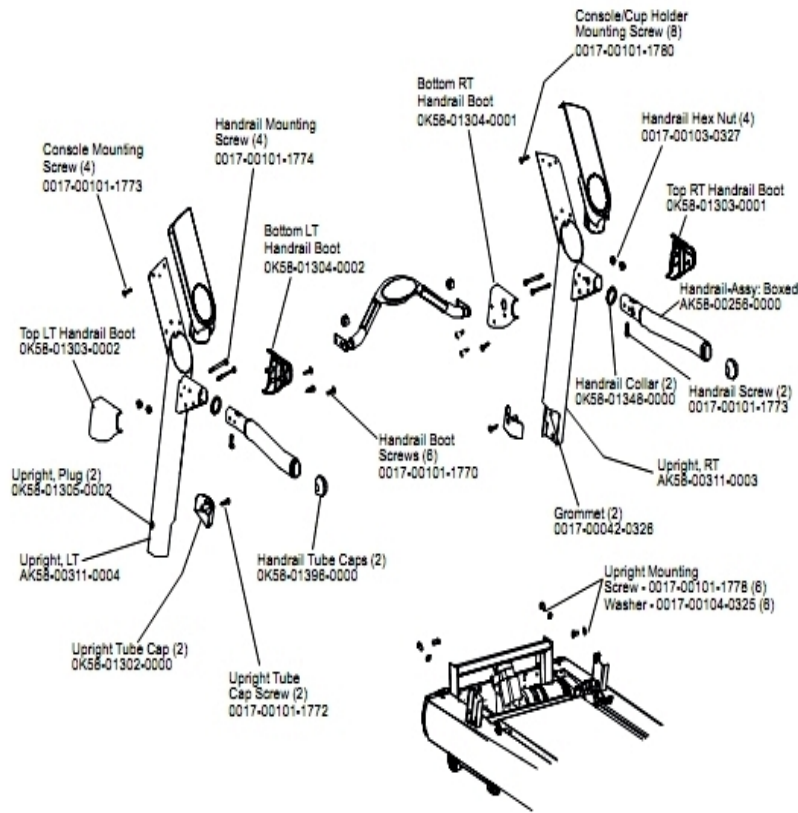


LifeFitness
WHAT WE LIVE FOR

Table of Contents

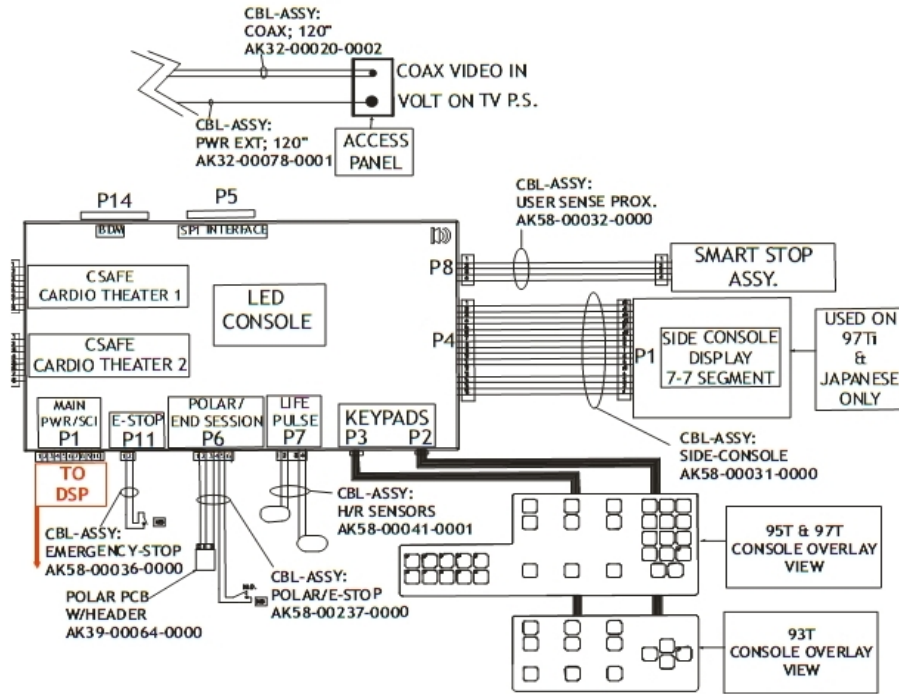
Belt, Deck And Rear Roller.....	3
Block Diagram - Console View.....	4
Block Diagram - DSP View.....	5
Block Diagram - Line Filter View.....	6
Console Components.....	7
Console, Overlay Assembly And Overlay.....	8
Drive Motor Assembly.....	9
DSP Controller Assembly.....	10
Ergo Bar And Heart Rate Sensors.....	11
Front Roller Assembly.....	12
Idler Arm Assembly.....	13
Leg Leveler Assembly.....	14
Lift Frame, Lift Motor And IEC Receptacle.....	15
Line Cords And Line Cord Options.....	16
Motor Cover, Front Cover And Front End Caps.....	17
On-Off Switch, Access Plate And Grommets.....	18
Rear End Caps And Cups Holders.....	19
References.....	20
Scuff Pad And Tinsel.....	22
Uprights And Handrails.....	23

Belt, Deck And Rear Roller



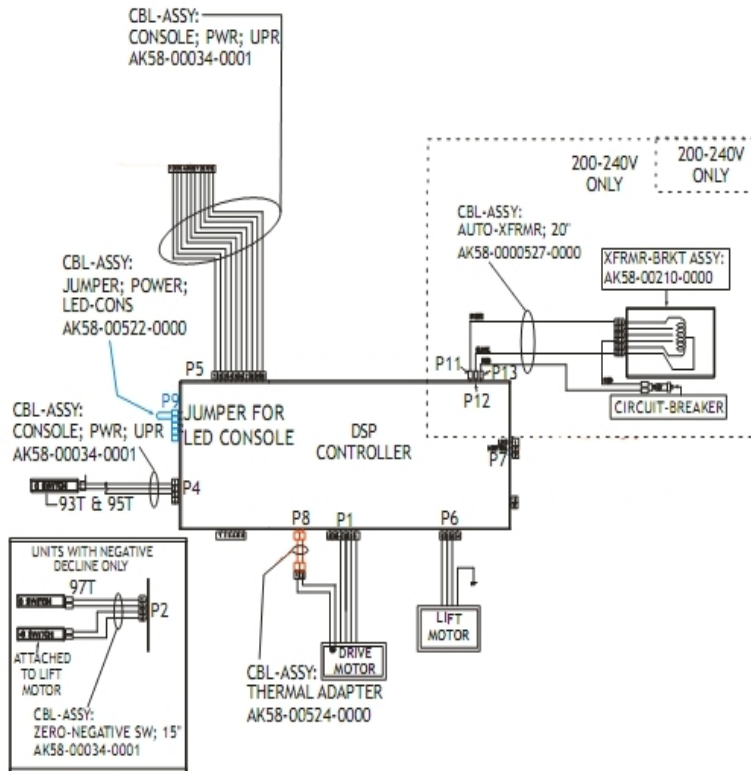
Ref #	Part Number	Qty	Description
-	OK58-01400-0000	1	Striding Belt
-	0017-00101-1652	8	Hardware: Spring Mounting Screw 1"
-	0017-00101-1880	2	Hardware: Tension Bolts 3"
-	OK58-01002-0000	1	Rear Roller - 3.5"
-	M051-00K58-A101	1	Belt Limit Label. Left
-	M051-00K58-A014	1	Label: Caution
-	M051-00K58-A100	1	Label: Belt Limit: Right
-	0017-00103-0198	4	Hardware: Tinnerman Clip 1/4" ID
-	0017-00101-1775	4	Hardware: Deck Screws 1.25"
-	OK40-01026-0002	8	Deck Spring
-	OK65-01263-0000	1	Deck
-	0017-00104-0072	8	Hardware: Flat Washer 0.562" OD

Block Diagram - Console View



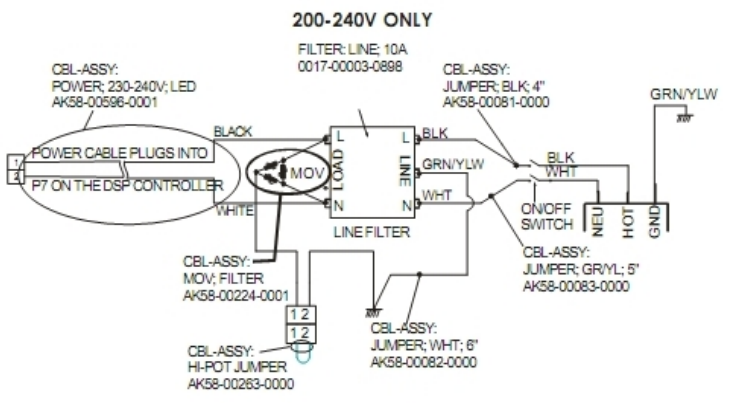
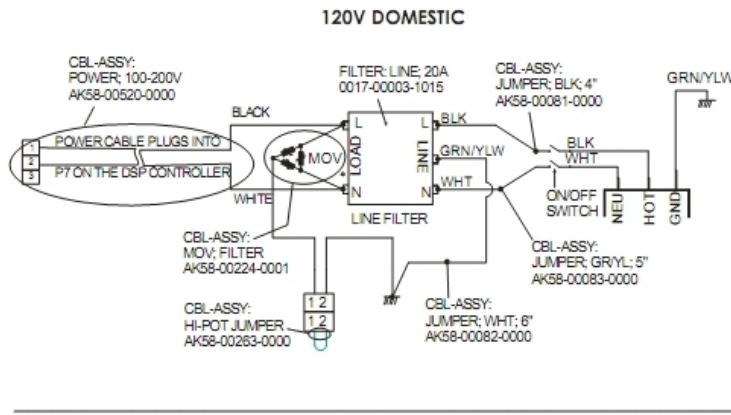
Ref #	Part Number	Qty	Description
-	AK32-00020-0002	1	Coax Cable: 120"
-	AK58-00237-0000	1	Cable-Assembly: Polar/E-Stop
-	AK58-00041-0001	1	Heart Rate Sensor Cable
-	AK58-00031-0000	1	Side Console Cable Assembly
-	AK32-00078-0001	1	Power Extension Cable: 120"
-	118E-00001-0259	1	Wireless Receiver Module, Non-Coded
-	AK58-00036-0000	1	Cable-Assembly: Emergency-Stop Switch
-	AK58-00032-0000	1	User Proximity Sensor Cable

Block Diagram - DSP View



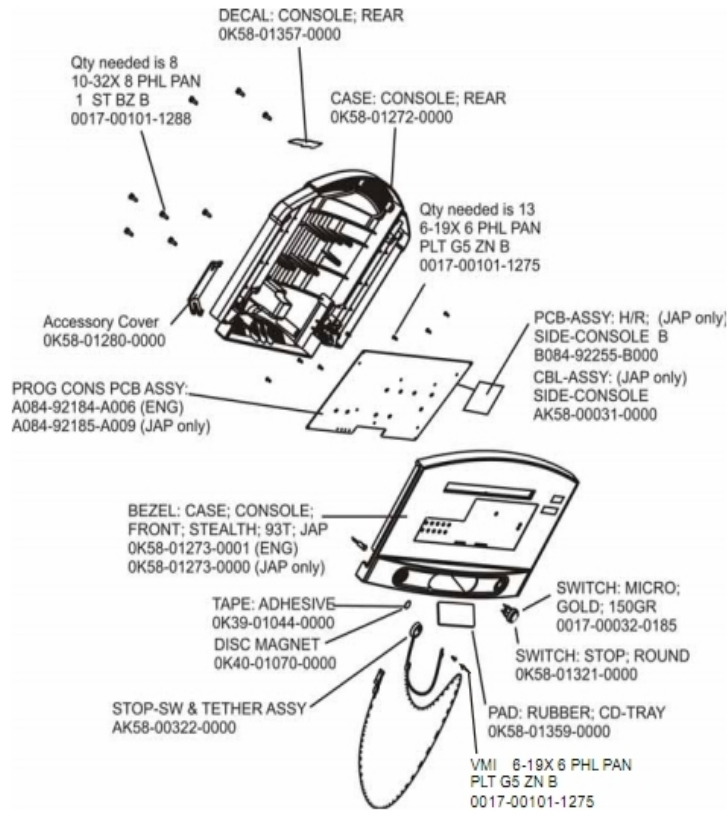
Ref #	Part Number	Qty	Description
-	AK58-00522-0000	1	Cable: Jumper; Power; LED Console
-	AK58-00524-0000	1	Cable: Thermal Adapter
-	AK58-00210-0000	1	Transformer-Bracket Assembly
-	AK58-00034-0001	3	Console Power Cable
-	AK58-00527-0000	1	Auto-Transformer: Use on High Voltage

Block Diagram - Line Filter View



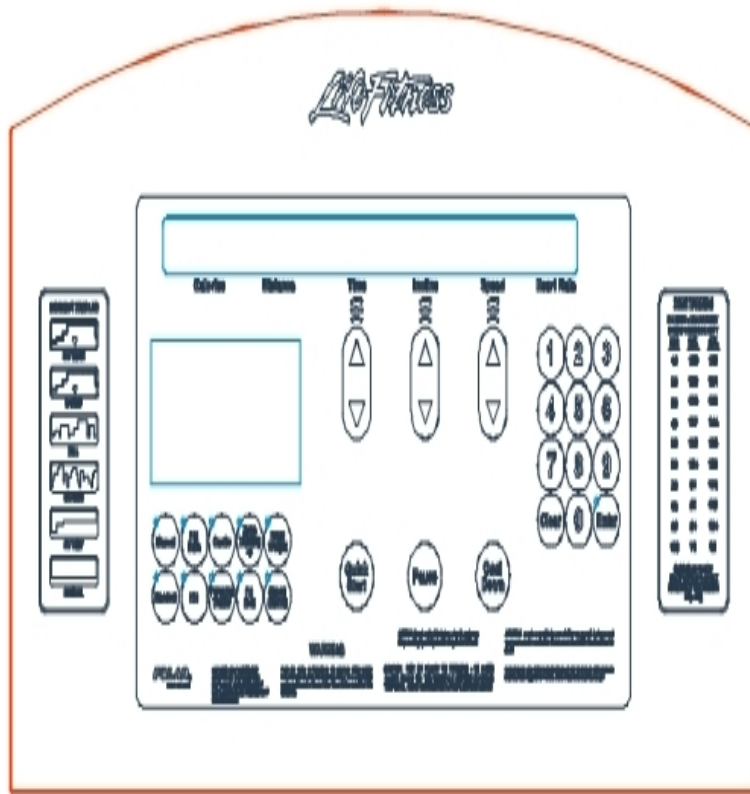
Ref #	Part Number	Qty	Description
-	AK58-00081-0000	1	Jumper Cable Assembly: Black - 4"
-	AK58-00082-0000	1	Jumper Cable Assembly: White - 6"
-	0017-00003-0898	1	10 amp Line Filter (INT)
-	AK58-00083-0000	1	Cable Assembly
-	AK58-00224-0001	1	Cable: MOV; Fliter
-	AK58-00263-0000	1	Hi-Pot Jumper Cable
-	AK58-00596-0001	1	Power Cable: 230-240V

Console Components



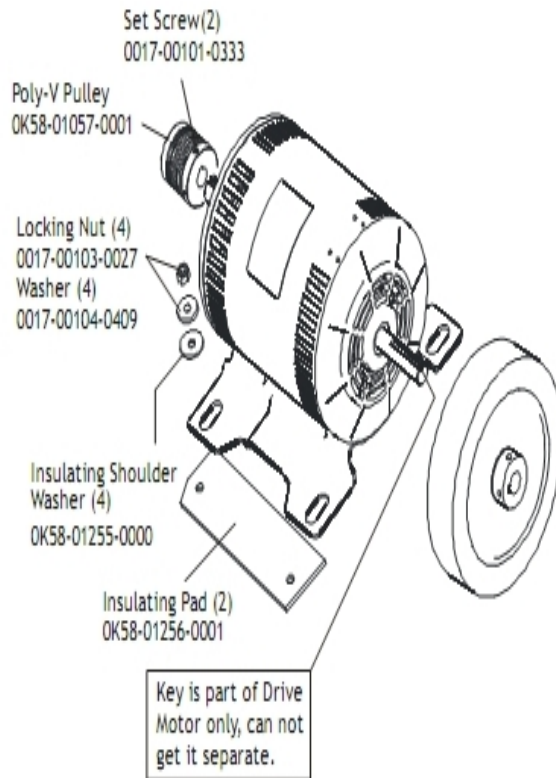
Ref #	Part Number	Qty	Description
-	A084-92184-A006	1	PCB Assembly
-	0K58-01357-0000	1	Decal
-	0K58-01321-0000	1	Stop Switch
-	0K39-01044-0000	1	Tape
-	0017-00101-1288	8	Hardware: Phillips Screw 0.5"
-	0017-00101-1275	14	Hardware: Phillips Screw 0.375"
-	0K58-01273-0001	1	Front Console Case
-	AK58-00031-0000	1	Side Console Cable Assembly
-	0K58-01273-0000	1	Front Console Case
-	0K58-01359-0000	1	Rubber Pad
-	0K40-01070-0000	1	Magnetic Disk
-	0017-00032-0185	1	Micro Switch 150GR
-	0K58-01280-0000	1	Accessory Cover
-	0K58-01272-0000	1	Rear Console Case
-	A084-92185-A009	1	PCB Assembly
-	AK58-00322-0000	1	Tether Stop Assembly
-	B084-92255-B000	1	PCB Assembly

Console, Overlay Assembly And Overlay



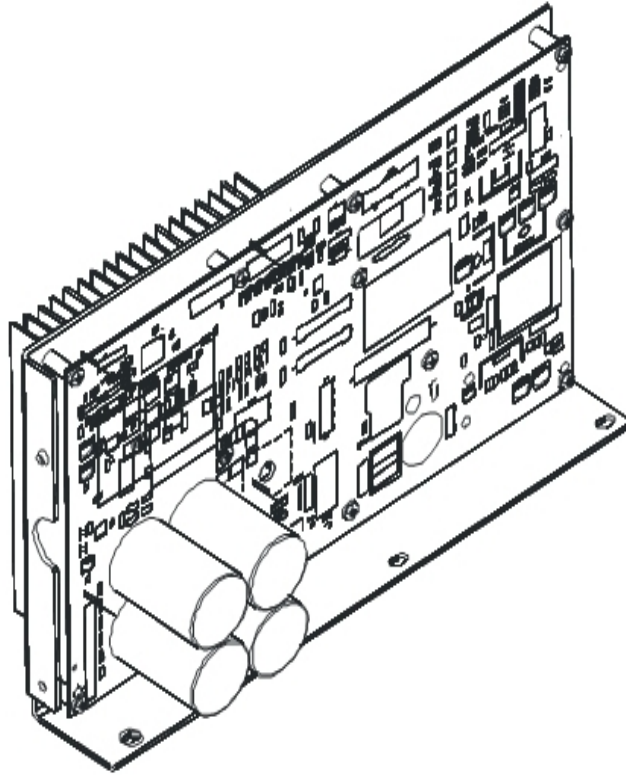
Ref #	Part Number	Qty	Description
-	AK58-00203-0002	1	Overlay/Bezel Assembly Eng/Metric
-	AK58-00403-0002	1	Console: English/Metric
-	0K58-01298-0001	1	Console English/Metric

Drive Motor Assembly



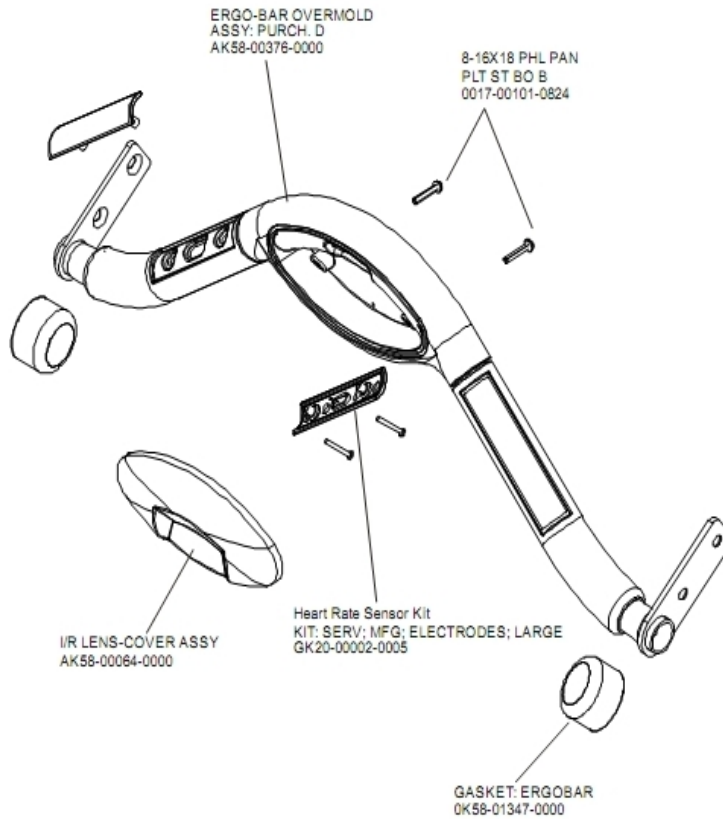
Ref #	Part Number	Qty	Description
-	OK58-01092-0002	1	Cast Iron Flywheel
-	0017-00101-1885	1	Hardware: Hex Bolt 1"
-	OK58-01255-0000	4	Hardware: Insulating Washers
-	OK58-01092-0004	1	Cast Iron Flywheel
-	OK58-01386-0004	1	MOTOR: MAIN DRIVE, 230V/50HZ, W/TAPER
-	0017-00104-0409	4	Hardware: Washer 1.125" OD
-	0017-00101-0333	2	Hardware: Screw 0.3125"
-	OK58-01057-0001	1	Drive Pulley - 1.971"
-	0017-00103-0027	4	Hardware: Locking Nut. 5/16" ID
-	OK58-01256-0001	2	Insulating Pad
-	AK58-00171-0001	1	Drive Motor Assembly
-	0017-00101-0975	1	Hardware: Mounting Bolt 0.375"

DSP Controller Assembly



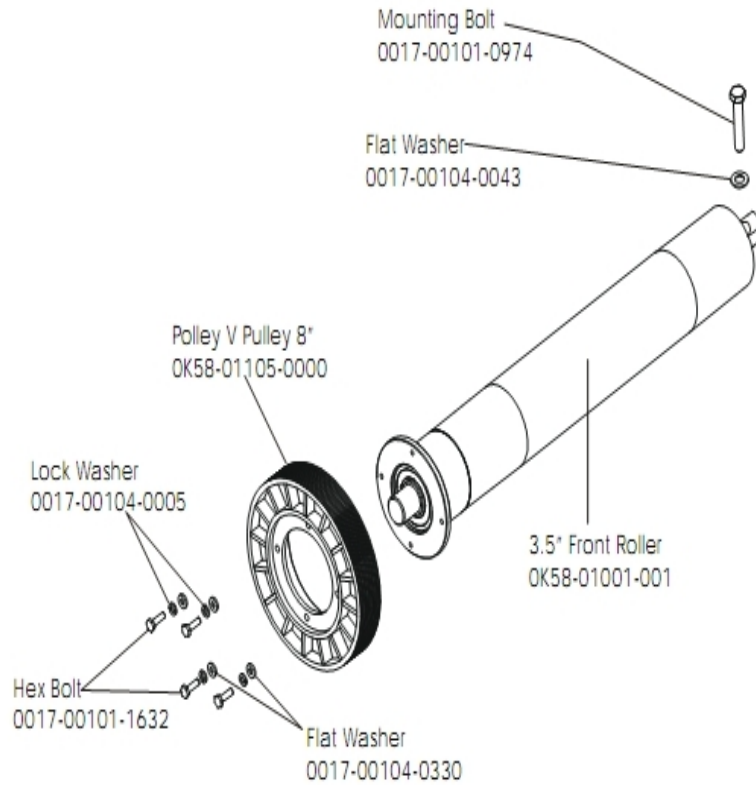
Ref #	Part Number	Qty	Description
-	GK58-00002-0120	1	Display Controller 200-240; LED
-	GK58-00002-0120	1	Display Controller 200-240; LED
-	GK58-00002-0120	1	Display Controller 200-240; LED
-	GK58-00002-0120	1	Display Controller 200-240; LED

Ergo Bar And Heart Rate Sensors



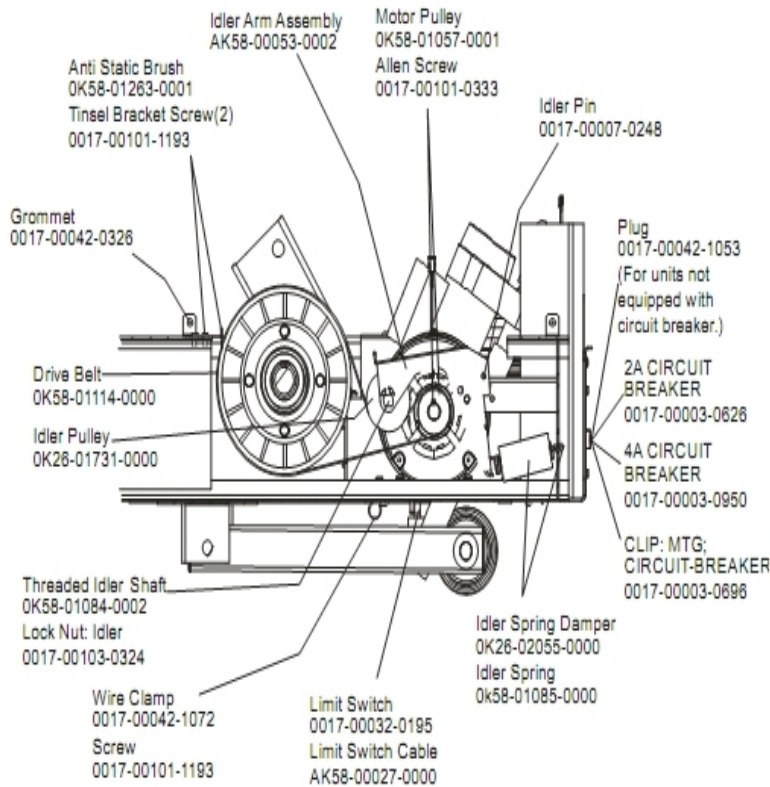
Ref #	Part Number	Qty	Description
-	AK58-00064-0000	1	I/R Lens Cover Assembly
-	AK58-00219-0000	1	Ergo Bar with Heart Rate Sensors
-	0017-00101-0824	2	Hardware: Screw 1.125"
-	OK58-01347-0000	2	ErgoBar Gasket
-	AK58-00376-0001	1	Ergo-Bar Overmold Assembly
-	GK20-00002-0005	2	Heart Rate Electrode Kit

Front Roller Assembly



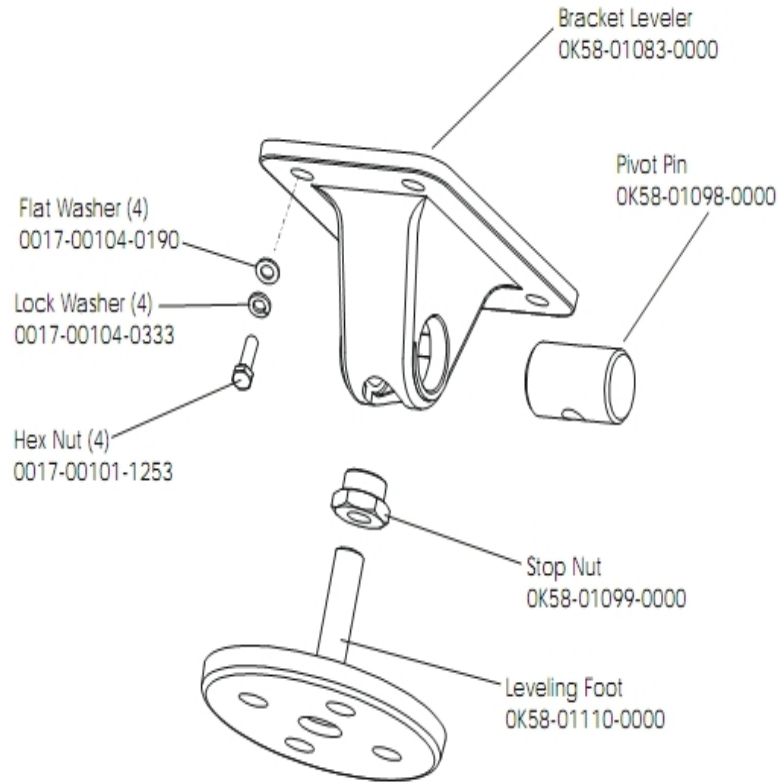
Ref #	Part Number	Qty	Description
-	0017-00101-0974	1	Hardware: Mounting Bolt 2"
-	0017-00104-0043	1	Hardware: Flat Washer 0.734" OD
-	0017-00104-0005	4	Hardware: Lock Washer 0.489" OD
-	OK58-01001-0001	1	Front Roller - 3.5"
-	OK58-01105-0000	1	Drive Pulley Poly V - 8"
-	0017-00104-0330	4	Hardware: Flat Washers 0.562" OD
-	AK58-00066-0000	1	Front Roller Assembly
-	0017-00101-1632	4	Hardware: Hex Bolt 0.875"

Idler Arm Assembly



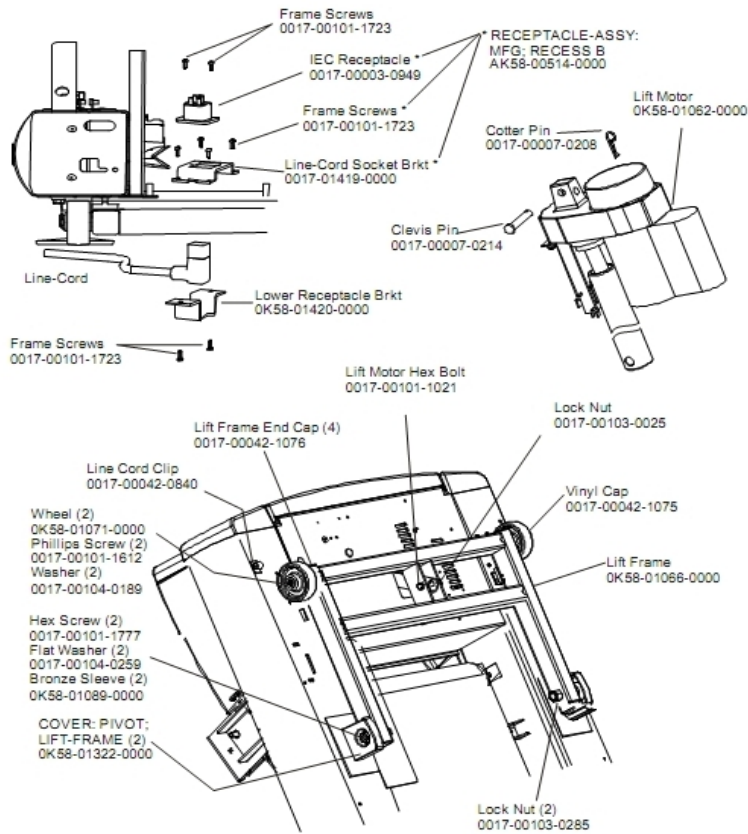
Ref #	Part Number	Qty	Description
-	OK58-01057-0001	1	Drive Pulley - 1.971"
-	0017-00042-1053	1	Plug (For units not equipped with circuit breaker.)
-	0017-00103-0324	1	Hardware: Thin Lock Nut 3/8" ID
-	AK58-00027-0000	1	Limit Switch Cable
-	OK26-01731-0000	1	Plastic Idler 2 5/8" OD
-	OK26-02055-0000	1	Spring Damper
-	0017-00032-0195	1	Home Switch
-	0017-00042-1072	1	Hardware: Wire Clamp - 5/8"
-	0017-00003-0696	1	Line Cord: International High Voltage (Cont.) 103"
-	0017-00007-0248	1	Hardware: Locking Pin .31" D 2.125" L
-	0017-00042-0326	1	Hardware: Plastic Grommet
-	0017-00101-1193	3	Hardware: Screw 0.375"
-	OK58-01114-0000	1	Poly-V Drive Belt - 370J12
-	0017-00003-0626	1	CIRCUIT-BREAKER:2A 200-240V
-	0017-00003-0950	1	100v 4 AMP Breaker
-	OK58-01084-0002	1	Threaded Shaft
-	OK58-01085-0000	1	Extension Spring
-	OK58-01263-0001	1	Tinsel Bracket
-	0017-00101-0333	1	Hardware: Screw 0.3125"
-	AK58-00053-0002	1	Idler Arm Assembly

Leg Leveler Assembly



Ref #	Part Number	Qty	Description
-	0017-00104-0190	4	Hardware: Flat Washer 0.734" OD
-	AK58-00370-0000	4	Leveler Assembly
-	0017-00101-1652	4	Hardware: Spring Mounting Screw 1"
-	0017-00104-0333	4	Hardware: Washer 0.683" OD
-	OK58-01110-0000	1	Leveler Foot
-	OK58-01098-0000	1	Hardware: Pivot Pin
-	OK58-01099-0000	1	Hardware: Stop Nut
-	OK58-01083-0000	1	Leveler Bracket

Lift Frame, Lift Motor And IEC Receptacle

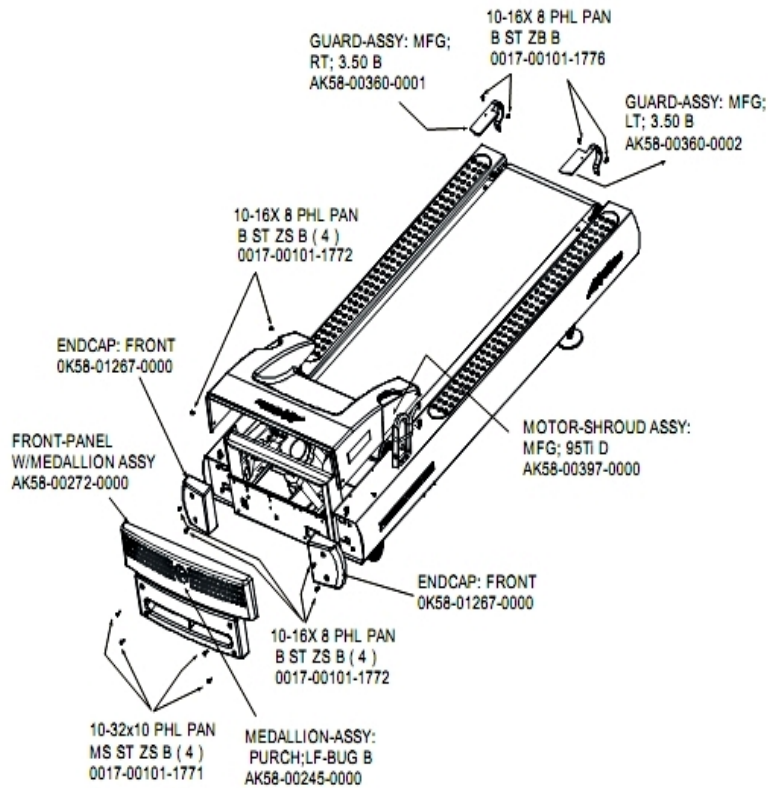


Ref #	Part Number	Qty	Description
-	AK58-00220-0000	1	LIFT-FRAME ASSY: MFG. C
-	0017-00042-1076	4	Lift Frame End Cap
-	0017-00103-0285	2	Hardware: Nut 5/8" ID
-	0K58-01062-0000	1	Lift Motor - 120/60
-	0K58-01420-0000	1	Lower Receptacle Bracket
-	0K58-01089-0000	2	Bronze Sleeve Bushings
-	0017-00042-0840	1	Hardware: Push Mount Clip
-	0K58-01071-0000	2	Wheel
-	0017-00101-1612	2	Hardware: Phillips Screw 0.5"
-	0017-00104-0259	2	Hardware: Washer 1.331" OD
-	0017-00007-0214	1	Hardware: Clevis Pin 3/8" D 1.75" L
-	0017-00042-1075	1	Vinyl Cap
-	0017-00103-0025	1	Hardware: Locking Nut 3/8" ID
-	0K58-01322-0000	2	Lift Frame Pivot Cover
-	0017-00007-0208	1	Hardware: Cotter Pin
-	0017-00101-1777	2	Hardware: Lift Frame Mounting Bolt 2.75"
-	0017-00104-0189	2	Hardware: Flat Washer 1" OD
-	0017-00101-1723	8	Hardware: Phillips Pan Screw 0.375"
-	AK58-00514-0000	1	Receptacle Assembly
-	0017-00003-0949	1	IEC Receptacle
-	0017-00101-1021	1	Hardware: Lift Motor Hex Bolt 2.5"

Line Cords And Line Cord Options

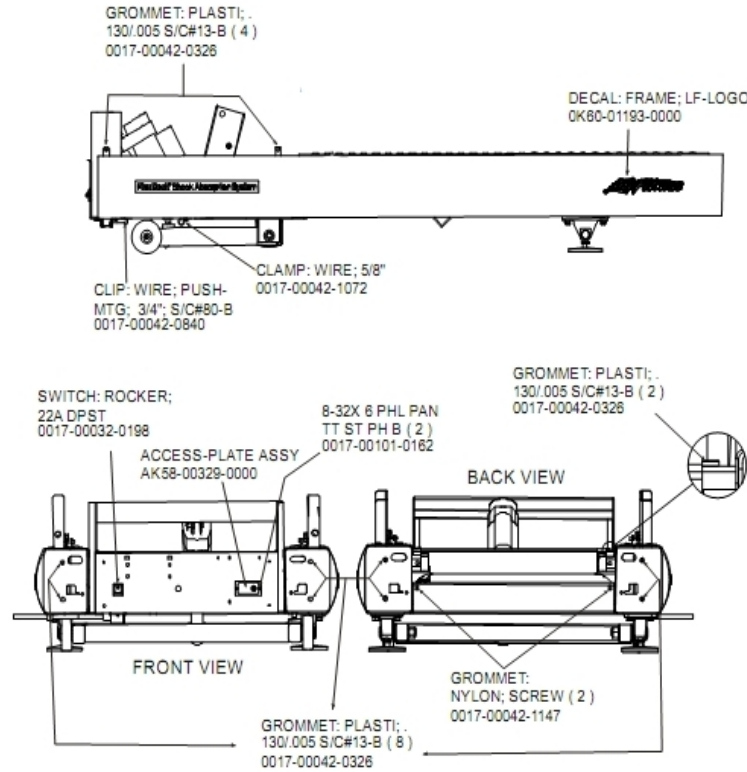
Ref #	Part Number	Qty	Description
-	0017-00003-0980	1	Line Cord: US Low Voltage 144"
-	0017-00003-0948	1	12' 220v Line Cord

Motor Cover, Front Cover And Front End Caps



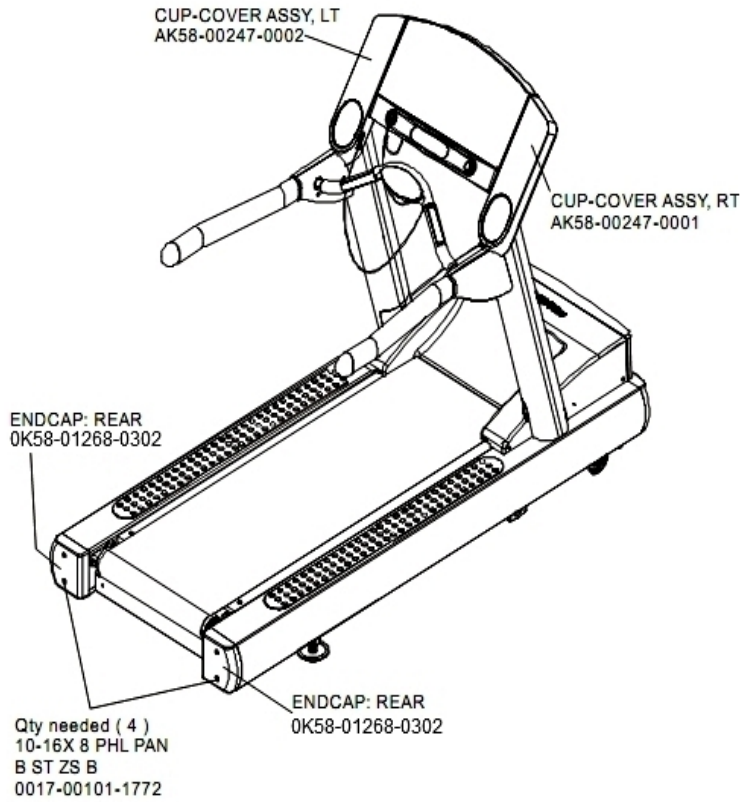
Ref #	Part Number	Qty	Description
-	AK58-00360-0001	1	Rear Roller Guard: Right
-	AK58-00397-0000	1	Motor Shroud
-	0017-00101-1772	8	Hardware: Phillips Pan Screw 0.5"
-	AK58-00245-0000	1	Bug Medallion
-	0017-00101-1776	1	Hardware: Mounting Screw 0.5"
-	0017-00101-1771	4	Hardware: Phillips Pan Screw
-	OK58-01267-0000	2	End Cap
-	AK58-00272-0000	1	Front Panel with Medallion
-	AK58-00360-0002	1	Rear Roller Guard: Left

On-Off Switch, Access Plate And Grommets



Ref #	Part Number	Qty	Description
-	0017-00101-0162	2	Hardware: Screw 0.375"
-	AK58-00329-0000	1	Access Panel Assembly
-	0017-00042-0840	1	Hardware: Push Mount Clip
-	OK60-01193-0000	2	Decal: LF Logo
-	0017-00032-0198	1	On/Off Switch 22A
-	0017-00042-0326	14	Hardware: Plastic Grommet
-	0017-00042-1147	2	Hardware: Nylon Grommet
-	0017-00042-1072	1	Hardware: Wire Clamp - 5/8"

Rear End Caps And Cups Holders



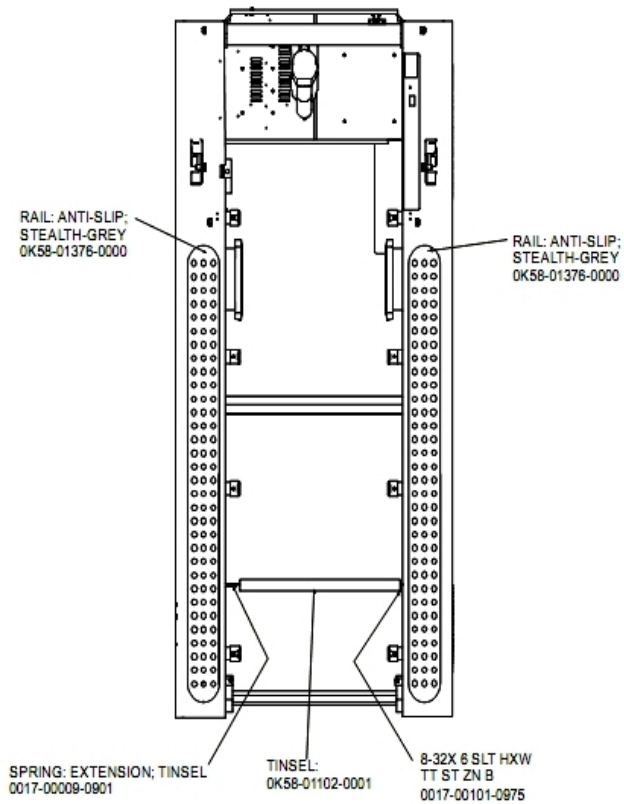
Ref #	Part Number	Qty	Description
-	0017-00101-1772	4	Hardware: Phillips Pan Screw 0.5"
-	OK58-01268-0302	2	ENDCAP: REAR; STEALTH D
-	AK58-00247-0001	1	Cup Holder Right
-	AK58-00247-0002	1	Cup Holder Left

References

Ref #	Part Number	Qty	Description
-	AK58-00226-0000	1	Hardware Bag
-	AK58-00360-0001	1	Rear Roller Guard: Right
-	GK58-00002-0095	1	Roller Guard kit
-	0017-00008-0204	1	Paint Spray Can - Arctic Silver
-	0017-00042-0840	5	Hardware: Push Mount Clip
-	0017-00101-1770	6	Hardware: Phillips Pan Screw 0.5"
-	0K58-01376-0000	2	Anti-Scuff Pad
-	0017-00101-1772	6	Hardware: Phillips Pan Screw 0.5"
-	0K58-01347-0000	2	ErgoBar Gasket
-	AK58-00360-0002	1	Rear Roller Guard: Left
-	0017-00008-0206	1	.33oz Pen - Arctic Silver
-	0017-00042-0326	4	Hardware: Plastic Grommet
-	0017-00042-1147	2	Hardware: Nylon Grommet
-	0017-00103-0327	4	Hardware: Hex Nut 5/16" ID
-	0K58-01305-0002	2	Upright Plug
-	0017-00101-1778	4	Hardware: Hex Bolt 1"
-	0017-00008-0211	1	Paint: Shadow-Gray Touch Up: .6 OZ Bottle
-	0017-00101-1774	4	Hardware: TORX Screw 2.5"
-	0017-00101-1780	8	Hardware: Mounting Screws
-	GK58-00002-0071	4	Anti-Slip Rail
-	0017-00008-0210	1	Paint: Shadow-Gray Touch Up: .6 OZ Bottle
-	0017-00101-1776	4	Hardware: Mounting Screw 0.5"

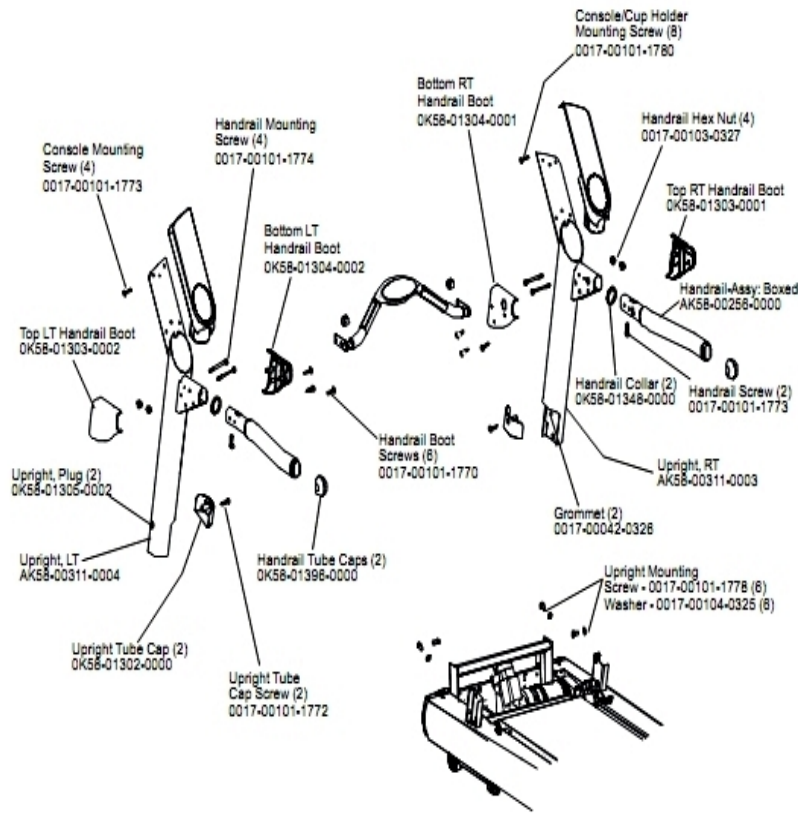
Ref #	Part Number	Qty	Description
-	0017-00101-1773	6	Hardware: TORX Screw 0.5"
-	0017-00009-1049	1	Torx Wrench
-	0017-00104-0325	4	Hardware: Washer 0.873" OD
-	0017-00008-0205	1	5 oz Bottle - Arctic Silver
-	M051-00K58-B128	1	Service Instructions - Roller Guards

Scuff Pad And Tinsel



Ref #	Part Number	Qty	Description
-	0017-00101-0975	1	Hardware: Mounting Bolt 0.375"
-	0017-00009-0901	1	Tinsel Extension Spring
-	OK58-01102-0001	1	Anti-Static Tinsel
-	OK58-01376-0000	2	Anti-Scuff Pad

Uprights And Handrails



Ref #	Part Number	Qty	Description
-	0017-00101-1773	6	Hardware: TORX Screw 0.5"
-	0017-00104-0325	6	Hardware: Washer 0.873" OD
-	0017-00101-1770	6	Hardware: Phillips Pan Screw 0.5"
-	OK58-01303-0002	1	Top Left Handrail Boot
-	OK58-01304-0001	1	Bottom Right Handrail Boot
-	OK58-01304-0002	1	Bottom Left Handrail Boot
-	0017-00101-1772	2	Hardware: Phillips Pan Screw 0.5"
-	OK58-01303-0001	1	Top Right Handrail Boot
-	AK58-00256-0001	1	Handrail
-	AK58-00311-0004	1	Upright: Left
-	0017-00042-0326	2	Hardware: Plastic Grommet
-	0017-00103-0327	4	Hardware: Hex Nut 5/16" ID
-	OK58-01302-0103	2	Cap: Upright Tube; Arctic Silver
-	OK58-01305-0002	2	Upright Plug
-	0017-00101-1778	6	Hardware: Hex Bolt 1"
-	AK58-00311-0003	1	Upright: Right
-	0017-00101-1774	4	Hardware: TORX Screw 2.5"
-	0017-00101-1780	8	Hardware: Mounting Screws
-	OK58-01348-0000	2	Handrail Collar
-	OK58-01396-0000	2	Endcap

