

95Ti Treadmill - 4HP AC - Lifepulse

95T-0104-02

Parts Manual

1/5/2019 10:34:43 AM

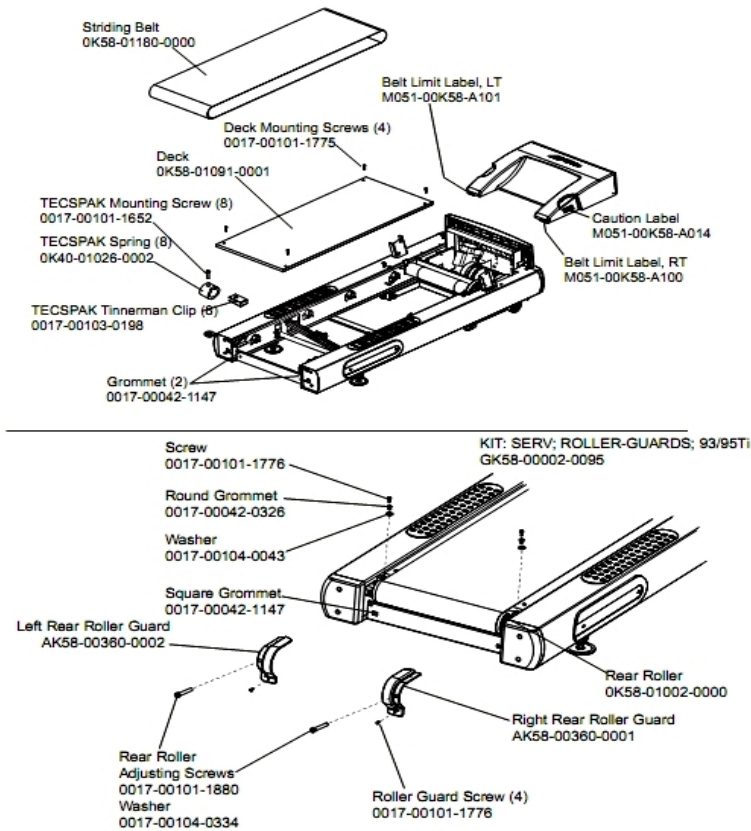


Lifefitness
WHAT WE LIVE FOR

Table of Contents

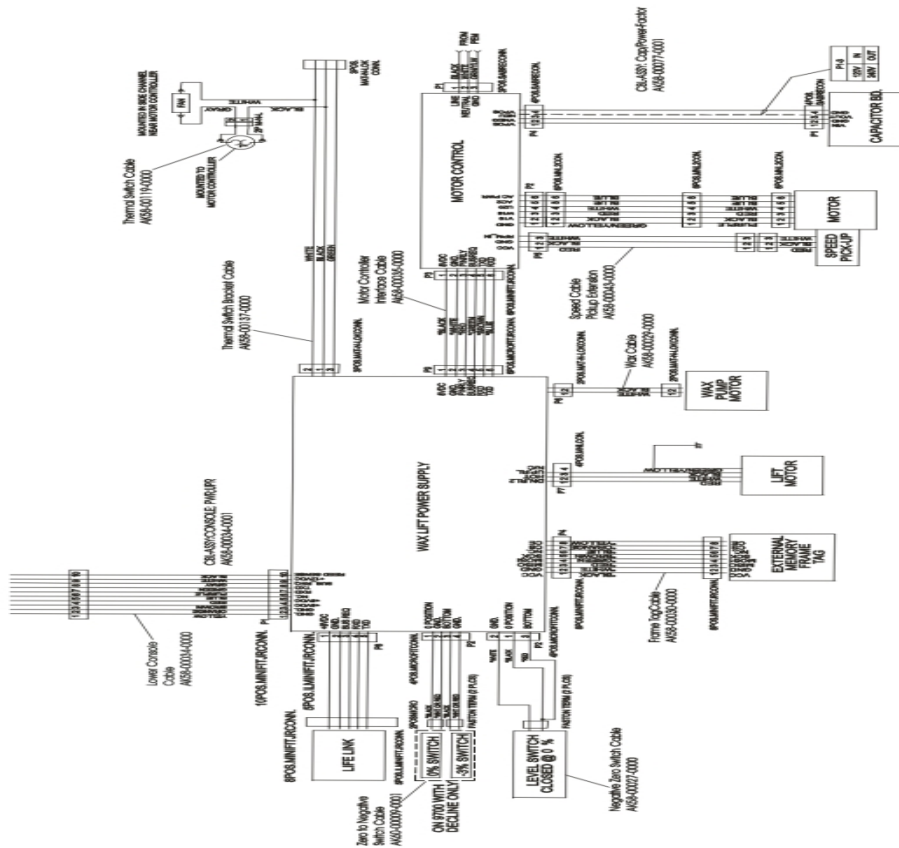
Belt, Deck, Rear Roller.....	3
Cables.....	4
Console Assembly.....	5
Covers, End Caps, Hardware.....	6
Drive Motor Assembly.....	7
Ergo Bar W/Lifepulse.....	8
Frame Assembly.....	9
Front Roller Assy.....	10
General Assembly.....	11
Handrail Assembly.....	12
Idler Arm Assembly And Static Brush.....	13
Leveler Assembly.....	14
Lift Motor And Frame.....	15
Motor Controller Assembly.....	16
Power Components Schematic.....	17
Wax Components.....	18
Wax/Lift Assembly.....	19

Belt, Deck, Rear Roller



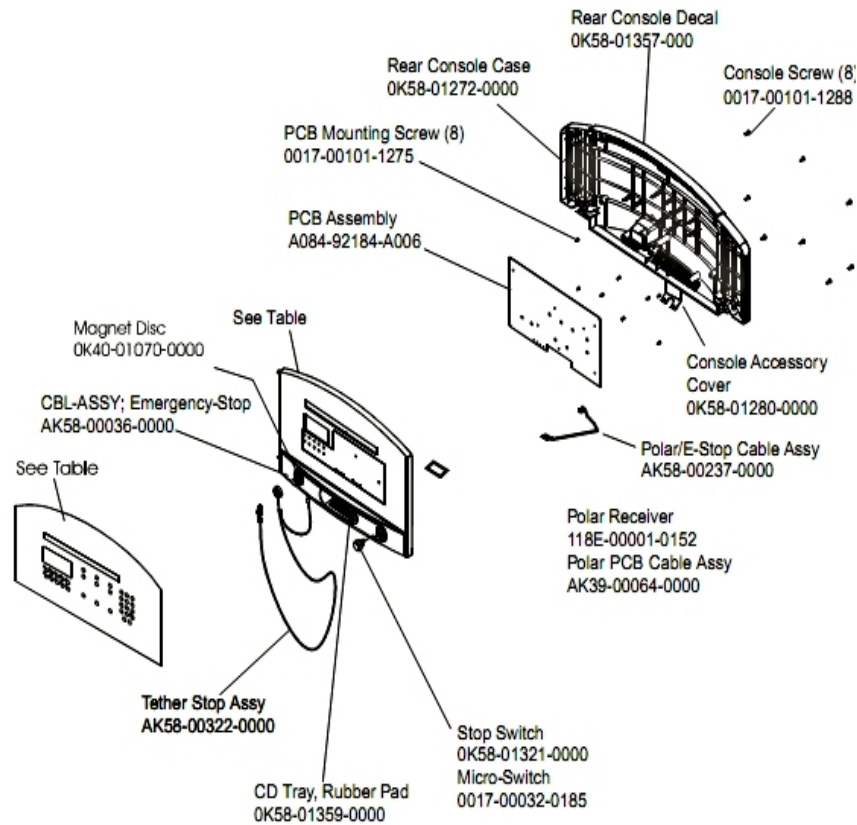
Ref #	Part Number	Qty	Description
-	0017-00103-0198	8	Hardware: Tinnerman Clip 1/4" ID
-	0017-00101-1775	4	Hardware: Deck Screws 1.25"
-	M051-00K58-A101	1	Belt Limit Label. Left
-	0017-00101-1776	5	Hardware: Mounting Screw 0.5"
-	M051-00K58-A014	1	Label: Caution
-	0K58-01091-0001	1	Deck
-	0K58-01002-0000	1	Rear Roller - 3.5"
-	0017-00104-0334	1	Hardware: Flat Washers 0.880" OD
-	0017-00101-1880	1	Hardware: Tension Bolts 3"
-	0017-00101-1652	8	Hardware: Spring Mounting Screw 1"
-	0017-00042-1147	3	Hardware: Nylon Grommet
-	0017-00042-0326	1	Hardware: Plastic Grommet
-	0017-00104-0043	1	Hardware: Flat Washer 0.734" OD
-	AK58-00360-0002	1	Rear Roller Guard: Left
-	M051-00K58-A100	1	Label: Belt Limit: Right
-	0K58-01180-0000	1	Striding Belt
-	GK58-00002-0095	1	Roller Guard kit
-	AK58-00360-0001	1	Rear Roller Guard: Right
-	0K40-01026-0002	8	Deck Spring

Cables



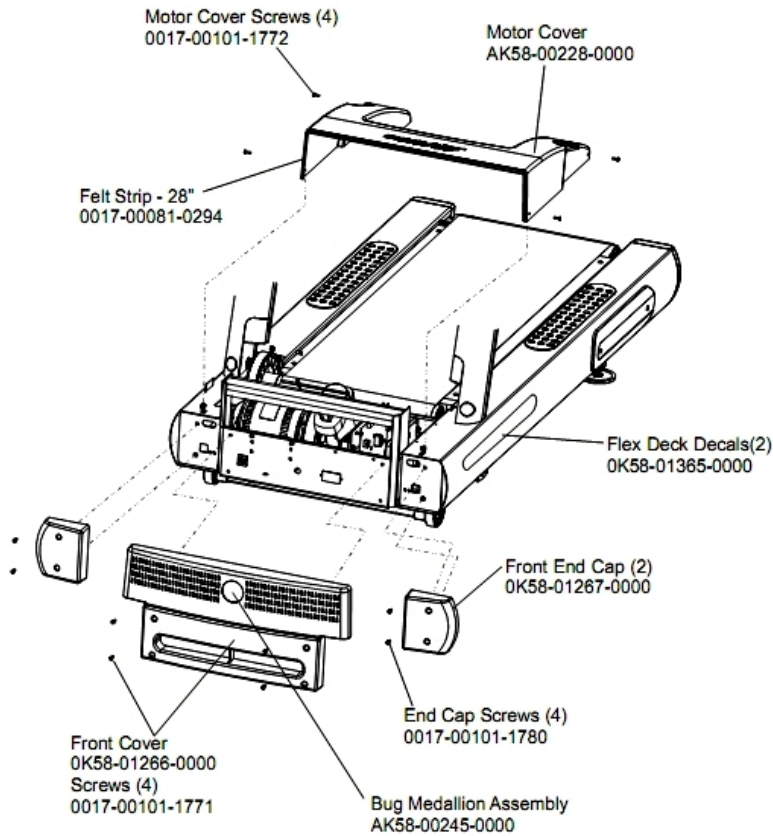
Ref #	Part Number	Qty	Description
-	AK58-00034-0000	1	Console Cable
-	AK58-00029-0000	1	Wax Pump Cable
-	AK60-00009-0001	1	Negative Switch Cable Assembly
-	AK58-00140-0000	1	Thermal Switch Assembly
-	AK58-00077-0001	1	Cap Board Cable - Domestic
-	AK58-00119-0000	1	Thermal Switch
-	AK58-00035-0000	1	Motor Controller Interface Cable
-	AK58-00027-0000	1	Limit Switch Cable
-	AK58-00030-0000	1	Frame Tag Cable
-	AK58-00034-0001	1	Console Power Cable
-	AK58-00043-0000	1	Speed Sensor Cable

Console Assembly



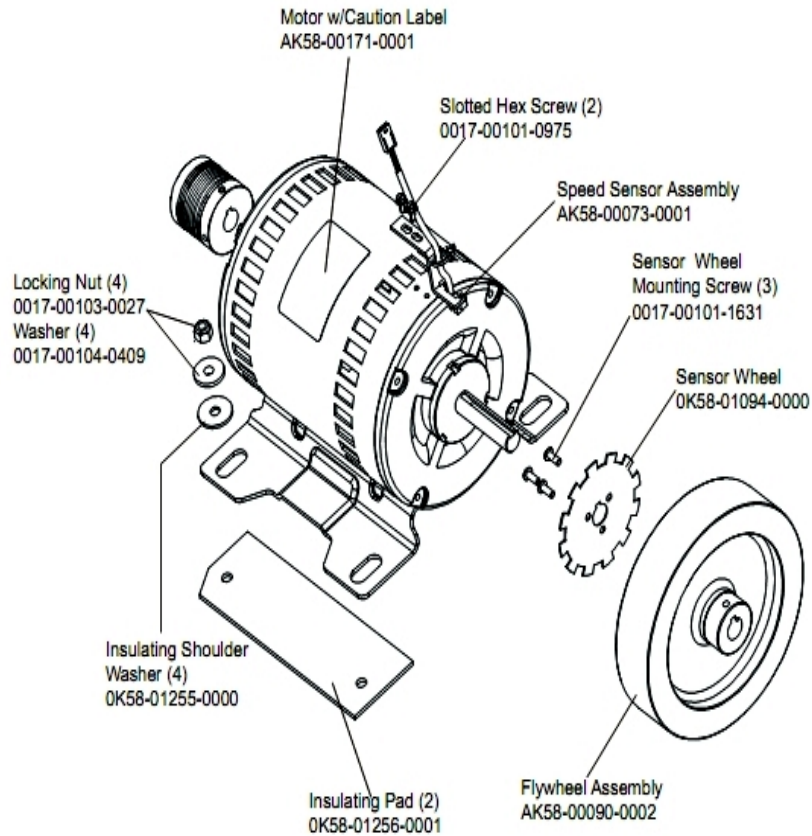
Ref #	Part Number	Qty	Description
-	AK58-00036-0000	1	Cable-Assembly: Emergency-Stop Switch
-	0K58-01359-0000	1	Rubber Pad
-	AK58-00322-0000	1	Tether Stop Assembly
-	AK58-00237-0000	1	Cable-Assembly: Polar/E-Stop
-	118E-00001-0244	1	Heart Rate Receiver
-	0K58-01280-0000	1	Accessory Cover
-	0017-00032-0185	1	Micro Switch 150GR
-	0017-00101-1288	8	Hardware: Phillips Screw 0.5"
-	0017-00101-1275	8	Hardware: Phillips Screw 0.375"
-	AK58-00203-0001	1	Overlay/Bezel Assembly English/Imperial
-	AK58-00197-0001	1	Console
-	0K58-01357-0000	1	Decal
-	A084-92184-A006	1	PCB Assembly
-	0K58-01321-0000	1	Stop Switch
-	0K58-01272-0000	1	Rear Console Case
-	118E-00001-0259	1	Wireless Receiver Module, Non-Coded
-	0K40-01070-0000	1	Magnetic Disk

Covers, End Caps, Hardware



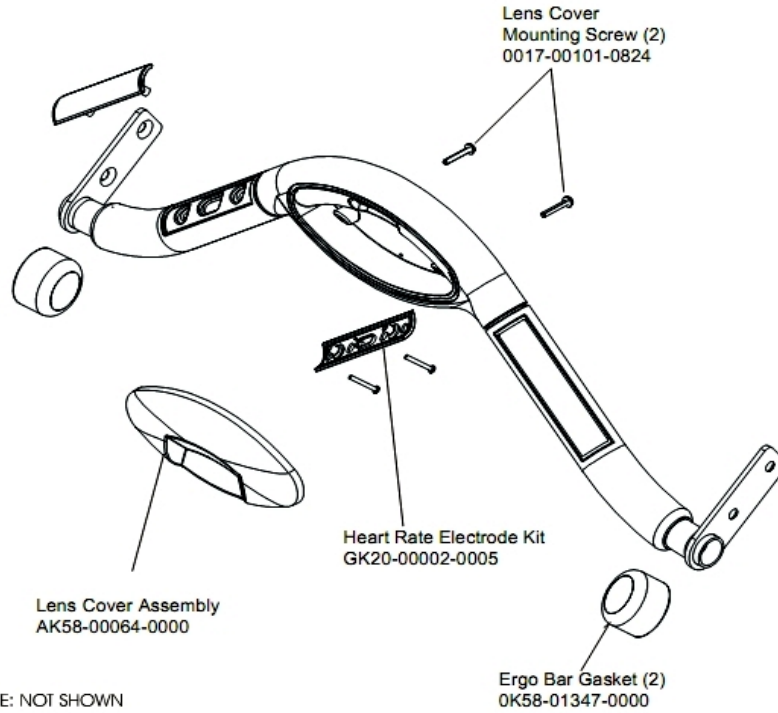
Ref #	Part Number	Qty	Description
-	0K58-01266-0000	1	Front Cover
-	0K58-01267-0000	2	End Cap
-	AK58-00228-0000	1	Motor Cover
-	0017-00101-1771	4	Hardware: Phillips Pan Screw
-	0017-00101-1780	4	Hardware: Mounting Screws
-	0017-00081-0294	1	Felt Strip - 28"
-	0K58-01365-0000	2	Decal
-	0017-00101-1772	4	Hardware: Phillips Pan Screw 0.5"
-	AK58-00245-0000	1	Bug Medallion

Drive Motor Assembly



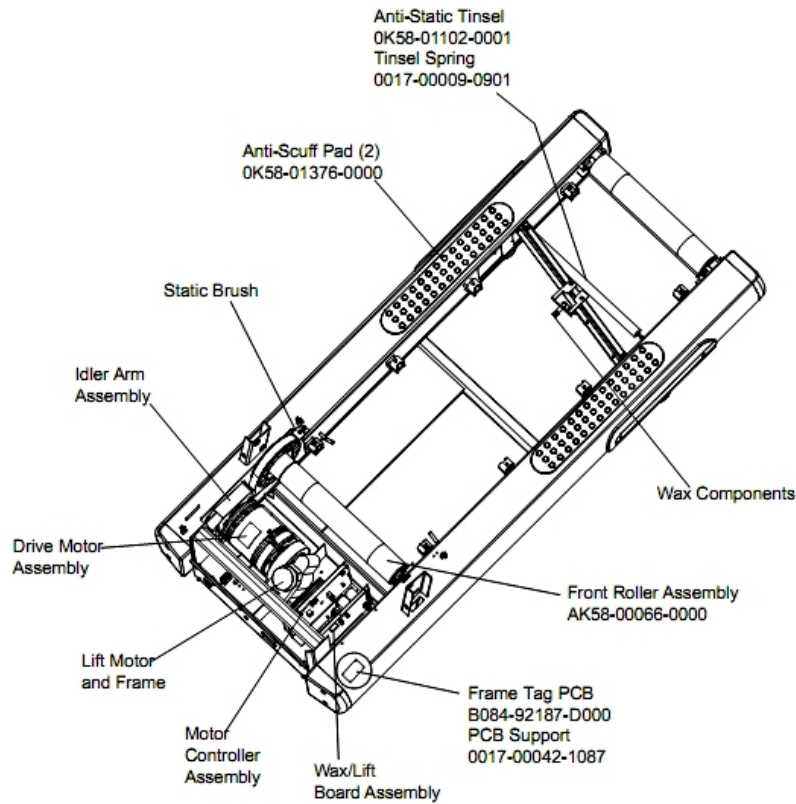
Ref #	Part Number	Qty	Description
-	AK58-00171-0000	1	Motor with Caution Label
-	0017-00101-0975	2	Hardware: Mounting Bolt 0.375"
-	0017-00103-0027	4	Hardware: Locking Nut. 5/16" ID
-	0K58-01255-0000	4	Hardware: Insulating Washers
-	AK58-00073-0001	1	Speed Sensor Assembly
-	0K58-01094-0000	1	Sensor Wheel
-	AK58-00090-0002	1	Flywheel Assembly
-	0017-00101-1631	3	Hardware: Sensor Wheel Mounting Screw
-	0017-00104-0409	4	Hardware: Washer 1.125" OD
-	0K58-01256-0001	2	Insulating Pad

Ergo Bar W/Lifepulse



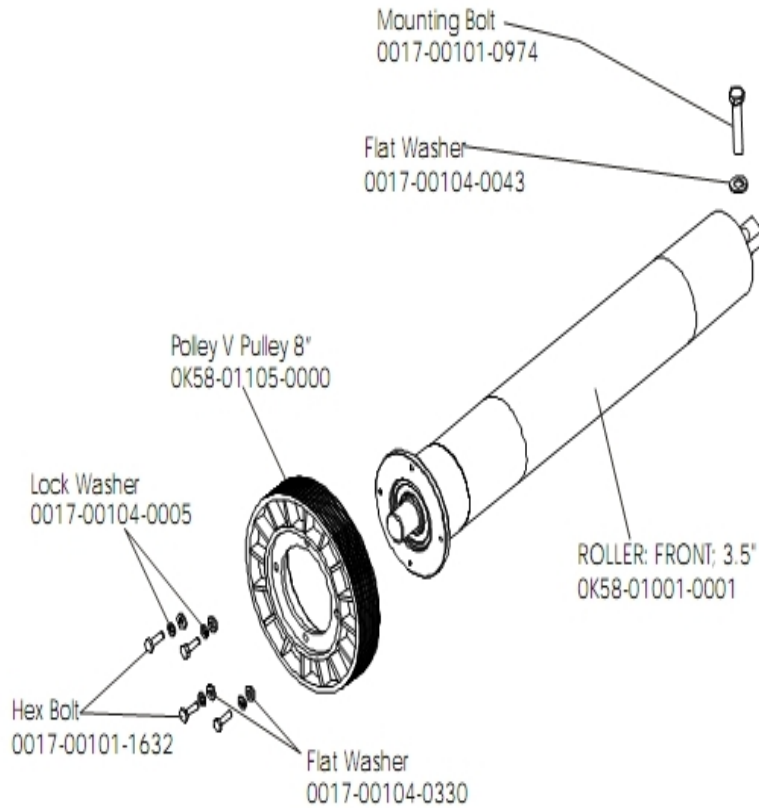
Ref #	Part Number	Qty	Description
-	AK58-00041-0001	1	Heart Rate Sensor Cable
-	AK58-00064-0000	1	I/R Lens Cover Assembly
-	0017-00101-0824	2	Hardware: Screw 1.125"
-	0K58-01347-0000	2	ErgoBar Gasket
-	AK58-00032-0000	1	User Proximity Sensor Cable
-	GK20-00002-0005	2	Heart Rate Electrode Kit

Frame Assembly



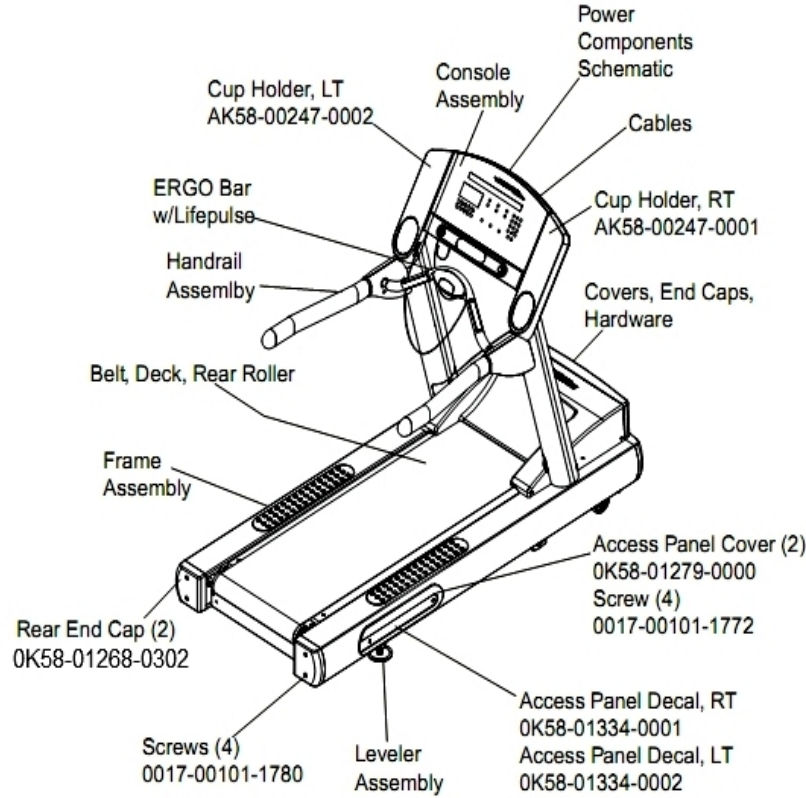
Ref #	Part Number	Qty	Description
-	OK58-01376-0000	2	Anti-Scuff Pad
-	AK58-00066-0000	1	Front Roller Assembly
-	B084-92187-D000	1	Frame Tag PCB
-	0017-00042-1087	1	PCB Support
-	OK58-01102-0001	1	Anti-Static Tinsel
-	0017-00009-0901	1	Tinsel Extension Spring

Front Roller Assy



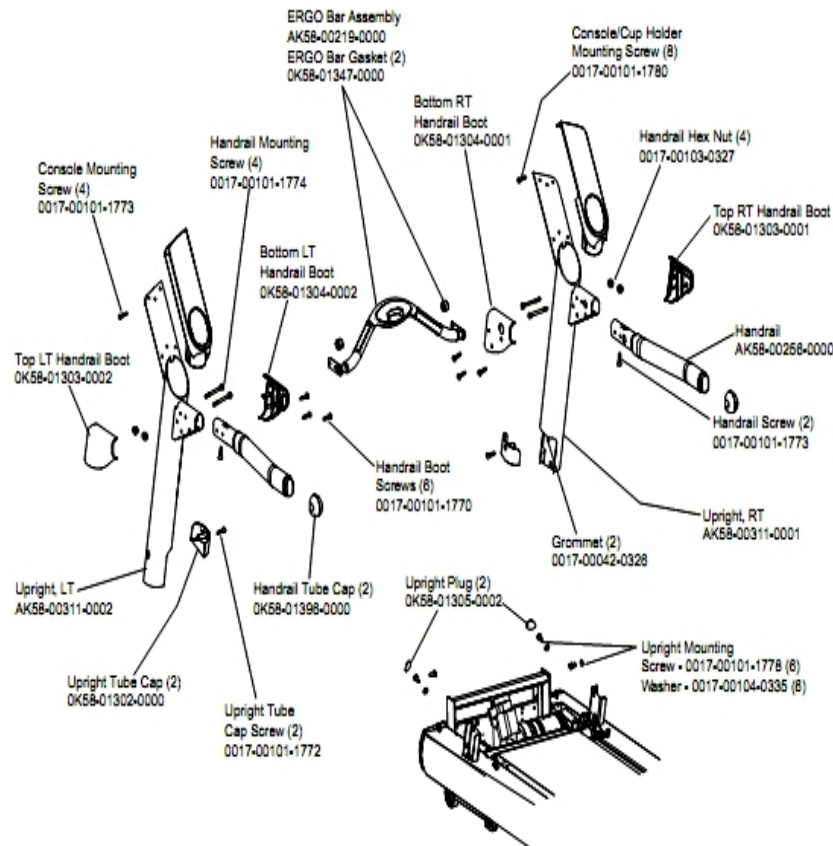
Ref #	Part Number	Qty	Description
-	0017-00104-0330	4	Hardware: Flat Washers 0.562" OD
-	OK58-01105-0000	1	Drive Pulley Poly V - 8"
-	0017-00101-1632	4	Hardware: Hex Bolt 0.875"
-	0017-00104-0043	1	Hardware: Flat Washer 0.734" OD
-	0017-00101-0974	1	Hardware: Mounting Bolt 2"
-	0017-00104-0005	4	Hardware: Lock Washer 0.489" OD

General Assembly



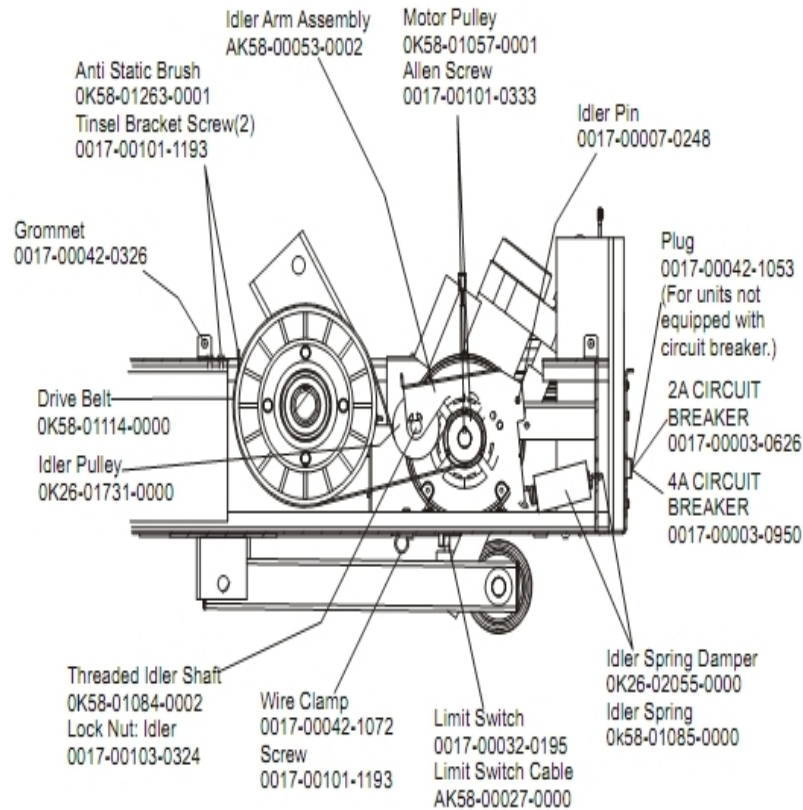
Ref #	Part Number	Qty	Description
-	0K58-01334-0001	1	Access Panel Decal Right
-	0017-00008-0197	1	Paint: Silver Bullet; 4.5OZ. Can
-	0017-00008-0199	1	Paint: Stealth Grey; 4.5OZ. Can
-	0K58-01268-0302	2	ENDCAP: REAR; STEALTH D
-	0017-00101-1772	4	Hardware: Phillips Pan Screw 0.5"
-	0K58-01334-0002	1	Access Panel Decal Left
-	AK58-00247-0001	1	Cup Holder Right
-	0017-00008-0196	1	Paint: Silver Bullet; .6OZ. Bottle
-	AK58-00247-0002	1	Cup Holder Left
-	0017-00101-1780	4	Hardware: Mounting Screws
-	0K58-01279-0000	2	Access Panel Cover
-	0017-00008-0198	1	Paint: Stealth Grey; .6OZ. Bottle B

Handrail Assembly



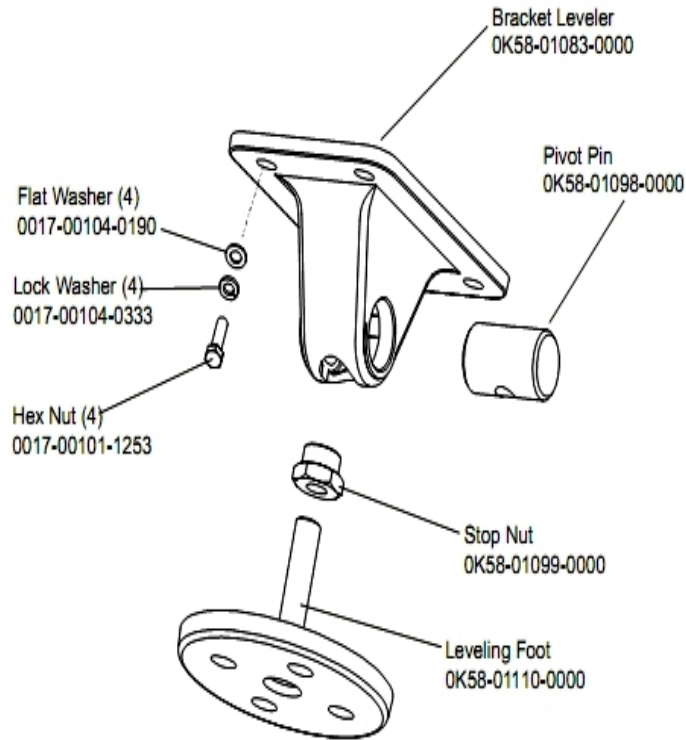
Ref #	Part Number	Qty	Description
-	0017-00101-1773	6	Hardware: TORX Screw 0.5"
-	0017-00101-1774	4	Hardware: TORX Screw 2.5"
-	0K58-01396-0000	4	Endcap
-	0K58-01303-0002	1	Top Left Handrail Boot
-	0K58-01304-0001	1	Bottom Right Handrail Boot
-	0K58-01304-0002	1	Bottom Left Handrail Boot
-	AK58-00219-0000	1	Ergo Bar with Heart Rate Sensors
-	0017-00101-1772	2	Hardware: Phillips Pan Screw 0.5"
-	0K58-01303-0001	1	Top Right Handrail Boot
-	0K58-01347-0000	2	ErgoBar Gasket
-	0017-00042-0326	2	Hardware: Plastic Grommet
-	0017-00103-0327	4	Hardware: Hex Nut 5/16" ID
-	0K58-01302-0103	2	Cap: Upright Tube; Arctic Silver
-	0K58-01305-0002	2	Upright Plug
-	AK58-00256-0001	1	Handrail
-	AK58-00311-0004	1	Upright: Left
-	0017-00101-1778	6	Hardware: Hex Bolt 1"
-	0017-00101-1780	8	Hardware: Mounting Screws
-	0017-00104-0335	6	Hardware: Handrail Washer
-	AK58-00311-0003	1	Upright: Right
-	AK58-00226-0000	1	Hardware Bag

Idler Arm Assembly And Static Brush



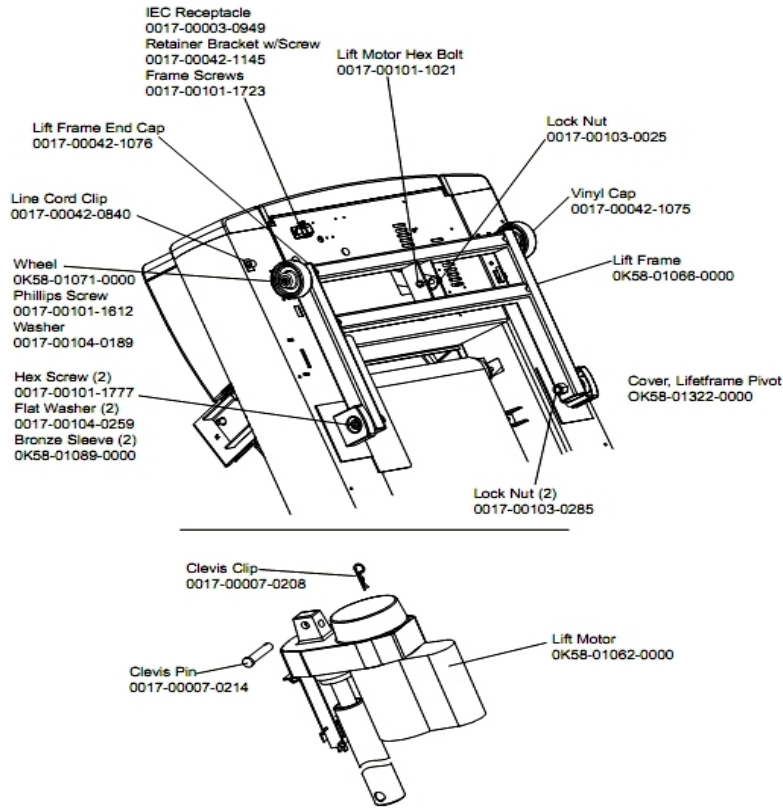
Ref #	Part Number	Qty	Description
-	OK58-01057-0001	1	Drive Pulley - 1.971"
-	AK58-00053-0002	1	Idler Arm Assembly
-	0017-00103-0324	1	Hardware: Thin Lock Nut 3/8" ID
-	AK58-00027-0000	1	Limit Switch Cable
-	OK26-01731-0000	1	Plastic Idler 2 5/8" OD
-	OK26-02055-0000	1	Spring Damper
-	0017-00032-0195	1	Home Switch
-	0017-00042-1072	1	Hardware: Wire Clamp - 5/8"
-	0017-00007-0248	1	Hardware: Locking Pin .31" D 2.125" L
-	0017-00042-0326	1	Hardware: Plastic Grommet
-	0017-00101-1193	3	Hardware: Screw 0.375"
-	OK58-01114-0000	1	Poly-V Drive Belt - 370J12
-	OK58-01084-0002	1	Threaded Shaft
-	OK58-01085-0000	1	Extension Spring
-	OK58-01263-0001	1	Tinsel Bracket
-	0017-00101-0333	1	Hardware: Screw 0.3125"
-	0017-00042-1053	1	Plug (For units not equipped with circuit breaker.)

Leveler Assembly



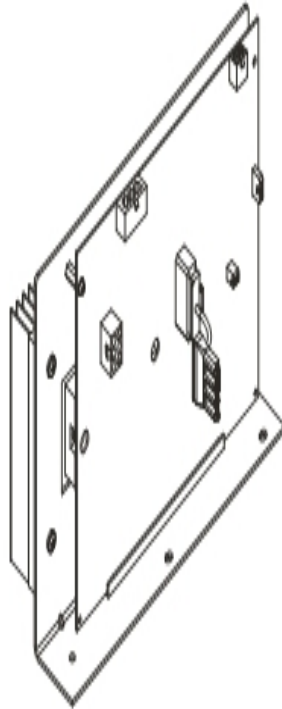
Ref #	Part Number	Qty	Description
-	0017-00104-0333	4	Hardware: Washer 0.683" OD
-	OK58-01110-0000	1	Leveler Foot
-	OK58-01098-0000	1	Hardware: Pivot Pin
-	OK58-01083-0000	1	Leveler Bracket
-	0017-00104-0190	4	Hardware: Flat Washer 0.734" OD
-	OK58-01099-0000	1	Hardware: Stop Nut
-	0017-00101-1253	4	Hardware: Screw

Lift Motor And Frame



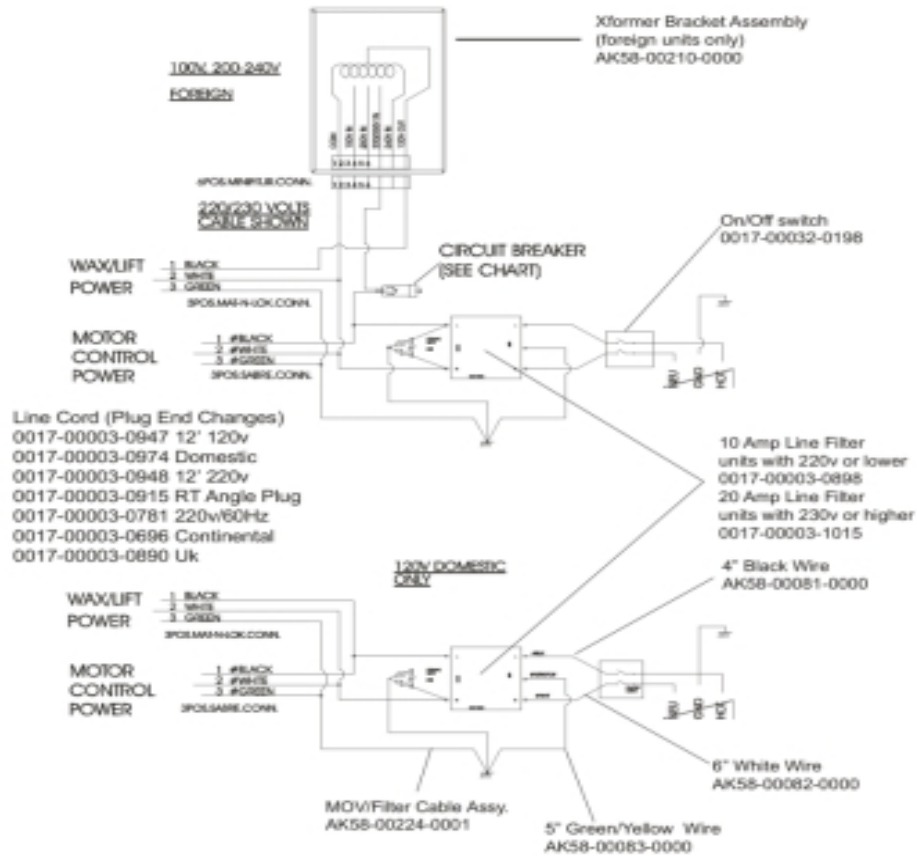
Ref #	Part Number	Qty	Description
-	AK58-00220-0000	1	LIFT-FRAME ASSY: MFG. C
-	0017-00042-1076	1	Lift Frame End Cap
-	0017-00103-0285	2	Hardware: Nut 5/8" ID
-	0K58-01322-0000	1	Lift Frame Pivot Cover
-	0017-00007-0208	1	Hardware: Cotter Pin
-	0017-00101-1777	2	Hardware: Lift Frame Mounting Bolt 2.75"
-	0017-00104-0189	2	Hardware: Flat Washer 1" OD
-	0017-00101-1723	2	Hardware: Phillips Pan Screw 0.375"
-	0017-00003-0949	1	IEC Receptacle
-	0017-00042-1145	1	Power Cord Retainer
-	0017-00101-1021	1	Hardware: Lift Motor Hex Bolt 2.5"
-	0017-00103-0025	1	Hardware: Locking Nut 3/8" ID
-	0K58-01062-0000	1	Lift Motor - 120/60
-	0K58-01089-0000	2	Bronze Sleeve Bushings
-	0017-00042-0840	1	Hardware: Push Mount Clip
-	0K58-01071-0000	2	Wheel
-	0017-00101-1612	2	Hardware: Phillips Screw 0.5"
-	0017-00042-1075	1	Vinyl Cap
-	0017-00104-0259	2	Hardware: Washer 1.331" OD
-	0017-00007-0214	1	Hardware: Clevis Pin 3/8" D 1.75" L

Motor Controller Assembly



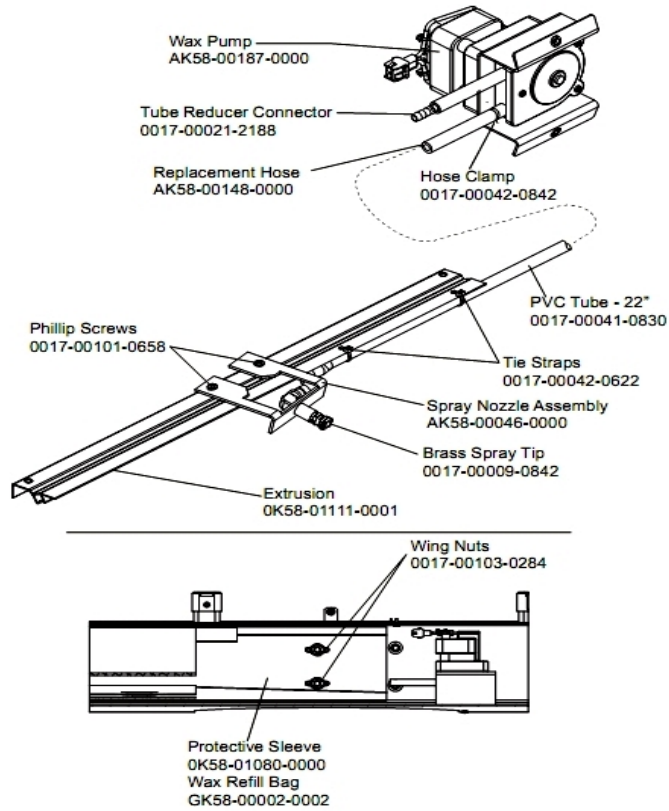
Ref #	Part Number	Qty	Description
-	AK60-00171-0001	1	
-	AK60-00171-0001	1	
-	AK60-00171-0001	1	
-	AK60-00171-0001	1	

Power Components Schematic



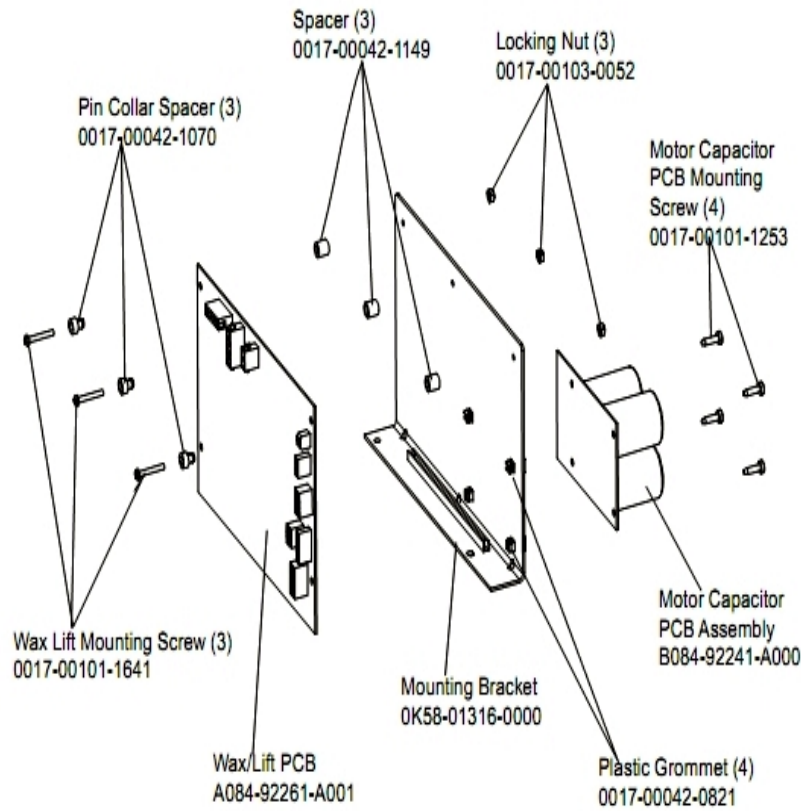
Ref #	Part Number	Qty	Description
-	0017-00003-0948	1	12' 220v Line Cord
-	AK58-00258-0008	1	Cable-Assembly: Power; 240V S/C#2-D
-	AK58-00081-0000	1	Jumper Cable Assembly: Black - 4"
-	0017-00003-1015	1	20 amp Line Filter (DOM)
-	AK58-00083-0000	1	Cable Assembly
-	AK58-00210-0000	1	Transformer-Bracket Assembly
-	AK58-00224-0001	1	Cable: MOV; Fliter
-	AK58-00082-0000	1	Jumper Cable Assembly: White - 6"
-	0017-00003-0915	1	Line Cord RT Angle Plug
-	0017-00032-0198	1	On/Off Switch 22A

Wax Components



Ref #	Part Number	Qty	Description
-	OK58-01111-0001	1	Extrusion Assembly
-	AK58-00046-0000	1	Spray Nozzle Assembly
-	AK58-00187-0000	1	Wax Pump
-	OK58-01080-0000	1	Protective Sleeve
-	GK58-00002-0002	1	Wax Refill Bag
-	0017-00103-0284	2	Hardware: Wing Nut
-	0017-00101-0658	1	Hardware: Access Panel Screws
-	0017-00042-0842	1	Hose Clamp
-	0017-00042-0622	1	Cable Tie
-	0017-00021-2188	1	Tube Reducer Connector
-	0017-00009-0842	1	Brass Spray Tip
-	0017-00041-0830	1	TUBING: PVC; REINFORCED B
-	AK58-00148-0000	1	Replacement Hose

Wax/Lift Assembly



Ref #	Part Number	Qty	Description
-	0K58-01316-0000	1	Mounting Bracket
-	B084-92241-A000	1	Motor Capacitor PCB Assembly
-	0017-00042-0821	4	Hardware: Plastic Grommet
-	0017-00103-0052	3	Hardware: Locking Nut ID
-	0017-00042-1070	3	Pin Collar Spacer
-	A084-92261-A001	1	Wax/Lift PCB
-	0017-00101-1641	3	Hardware: Phillips Pan Screw
-	0017-00101-1253	4	Hardware: Screw
-	0017-00042-1149	3	Spacer

