

95Ti Treadmill - 4HP AC - Lifepulse

95T-0106-02

Parts Manual

1/5/2019 10:36:10 AM

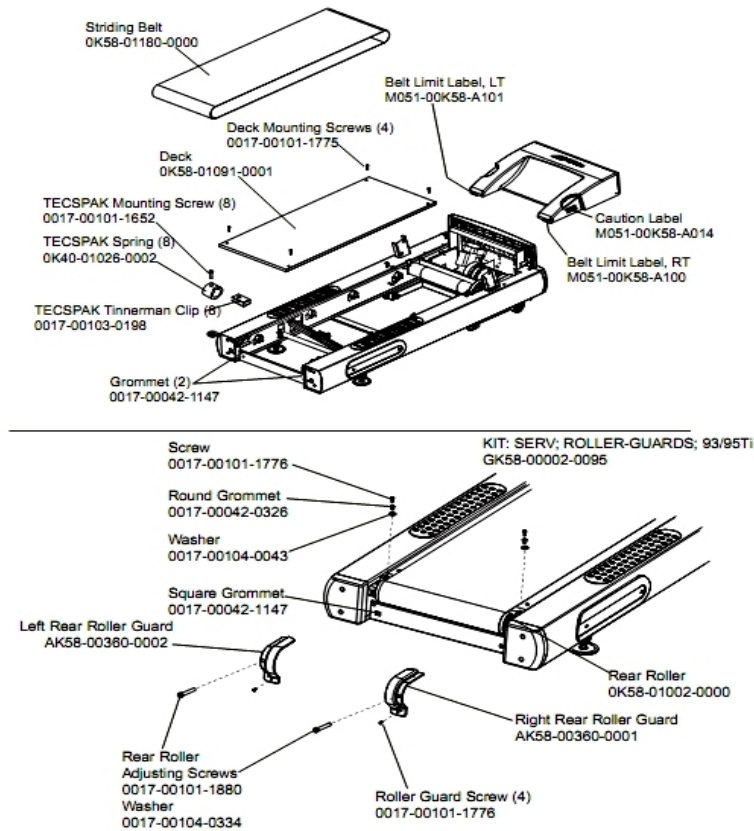


Lifefitness
WHAT WE LIVE FOR

Table of Contents

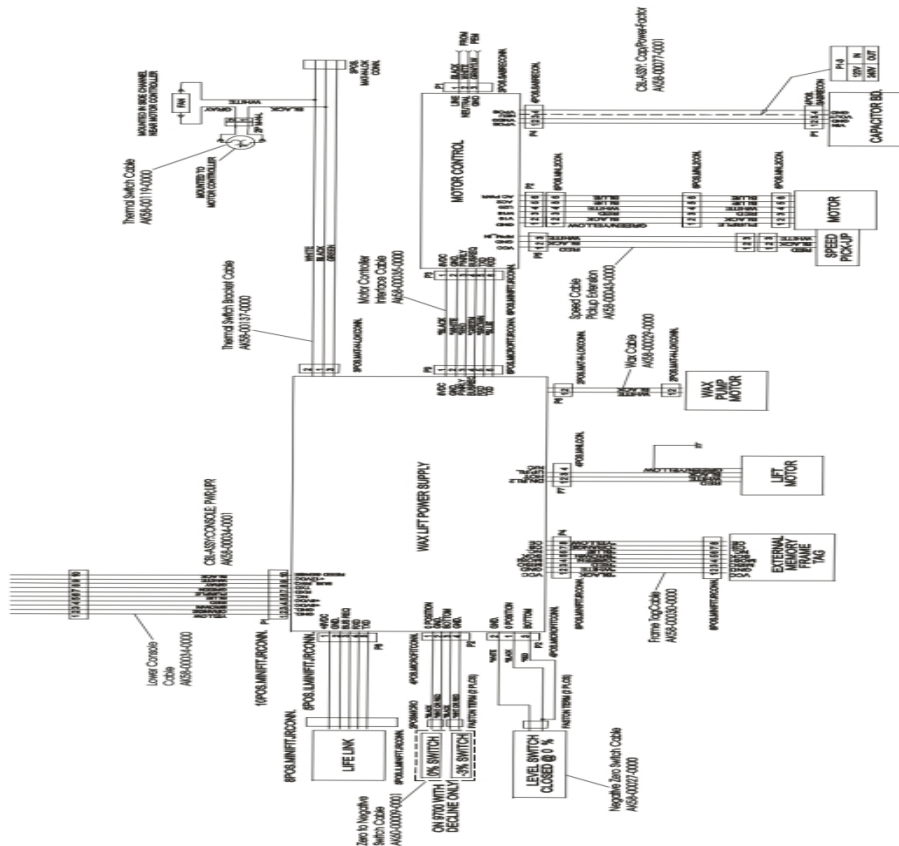
Belt, Deck, Rear Roller.....	3
Cables.....	4
Console Assembly.....	5
Covers, End Caps, Hardware.....	6
Drive Motor Assembly.....	7
Ergo Bar W/Lifepulse.....	8
Frame Assembly.....	9
Front Roller Assy.....	10
General Assembly.....	11
Handrail Assembly.....	12
Idler Arm Assembly And Static Brush.....	13
Leveler Assembly.....	14
Lift Motor And Frame.....	15
Motor Controller Assembly.....	16
Power Components Schematic.....	17
Wax Components.....	18
Wax/Lift Assembly.....	19

Belt, Deck, Rear Roller



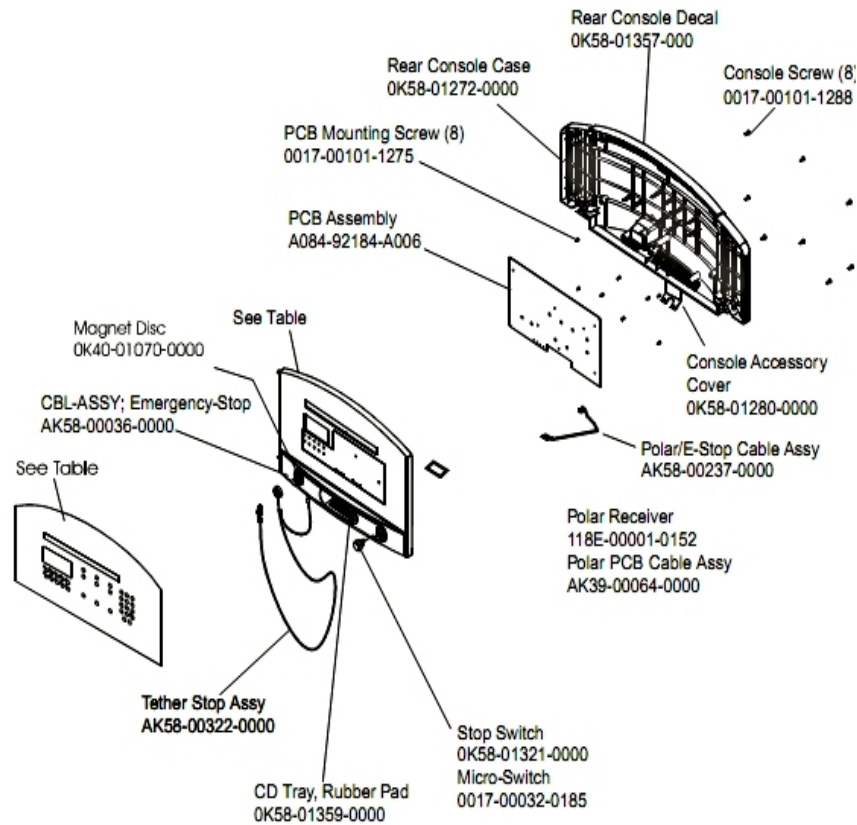
Ref #	Part Number	Qty	Description
-	0017-00103-0198	8	Hardware: Tinnerman Clip 1/4" ID
-	M051-00K58-A101	1	Belt Limit Label. Left
-	0K40-01026-0002	8	Deck Spring
-	AK58-00360-0001	1	Rear Roller Guard: Right
-	GK58-00002-0095	1	Roller Guard kit
-	0K58-01180-0000	1	Striding Belt
-	M051-00K58-A100	1	Label: Belt Limit: Right
-	AK58-00360-0002	1	Rear Roller Guard: Left
-	0017-00104-0043	1	Hardware: Flat Washer 0.734" OD
-	0017-00042-0326	1	Hardware: Plastic Grommet
-	0017-00042-1147	3	Hardware: Nylon Grommet
-	0017-00101-1652	8	Hardware: Spring Mounting Screw 1"
-	0017-00101-1880	1	Hardware: Tension Bolts 3"
-	0017-00104-0334	1	Hardware: Flat Washers 0.880" OD
-	0K58-01002-0000	1	Rear Roller - 3.5"
-	0K58-01091-0001	1	Deck
-	M051-00K58-A014	1	Label: Caution
-	0017-00101-1776	5	Hardware: Mounting Screw 0.5"
-	0017-00101-1775	4	Hardware: Deck Screws 1.25"

Cables



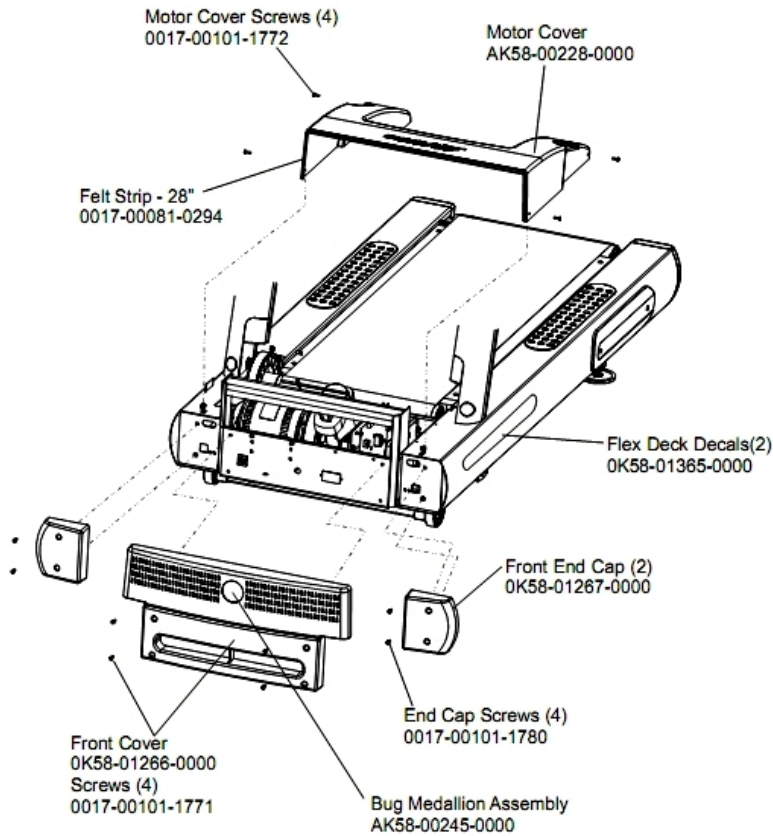
Ref #	Part Number	Qty	Description
-	AK58-00029-0000	1	Wax Pump Cable
-	AK58-00119-0000	1	Thermal Switch
-	AK60-00009-0001	1	Negative Switch Cable Assembly
-	AK58-00030-0000	1	Frame Tag Cable
-	AK58-00140-0000	1	Thermal Switch Assembly
-	AK58-00035-0000	1	Motor Controller Interface Cable
-	AK58-00027-0000	1	Limit Switch Cable
-	AK58-00077-0001	1	Cap Board Cable - Domestic
-	AK58-00034-0000	1	Console Cable
-	AK58-00043-0000	1	Speed Sensor Cable
-	AK58-00034-0001	1	Console Power Cable

Console Assembly



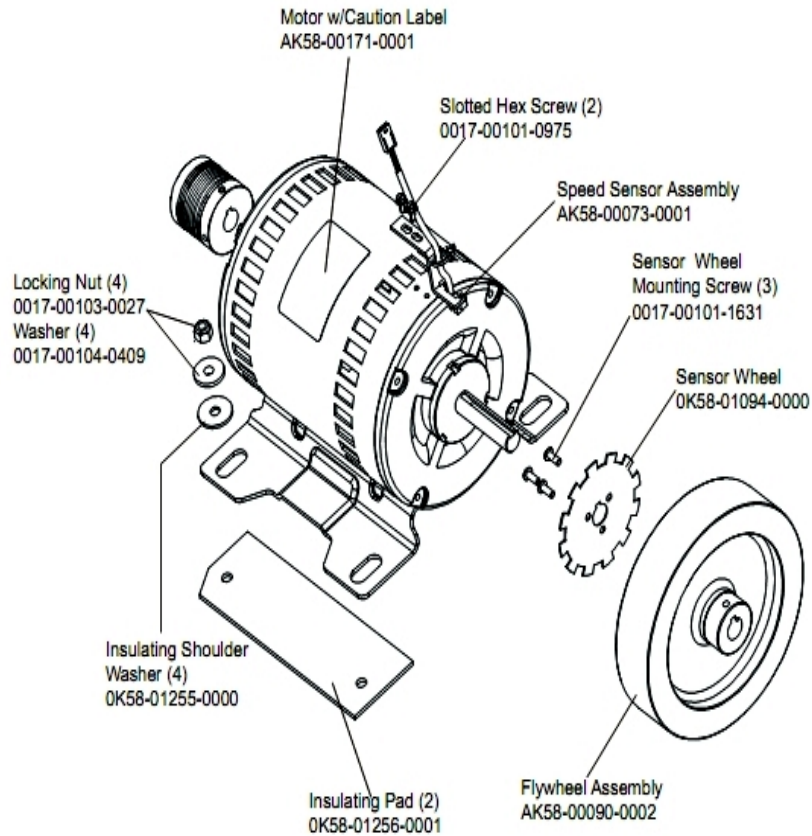
Ref #	Part Number	Qty	Description
-	118E-00001-0259	1	Wireless Receiver Module, Non-Coded
-	0K40-01070-0000	1	Magnetic Disk
-	0K58-01359-0000	1	Rubber Pad
-	AK58-00237-0000	1	Cable-Assembly: Polar/E-Stop
-	118E-00001-0244	1	Heart Rate Receiver
-	A084-92184-A006	1	PCB Assembly
-	0K58-01321-0000	1	Stop Switch
-	0017-00032-0185	1	Micro Switch 150GR
-	AK58-00197-0001	1	Console
-	0K58-01357-0000	1	Decal
-	0017-00101-1288	8	Hardware: Phillips Screw 0.5"
-	0017-00101-1275	8	Hardware: Phillips Screw 0.375"
-	AK58-00203-0001	1	Overlay/Bezel Assembly English/Imperial
-	AK58-00322-0000	1	Tether Stop Assembly
-	0K58-01272-0000	1	Rear Console Case
-	AK58-00036-0000	1	Cable-Assembly: Emergency-Stop Switch
-	0K58-01280-0000	1	Accessory Cover

Covers, End Caps, Hardware



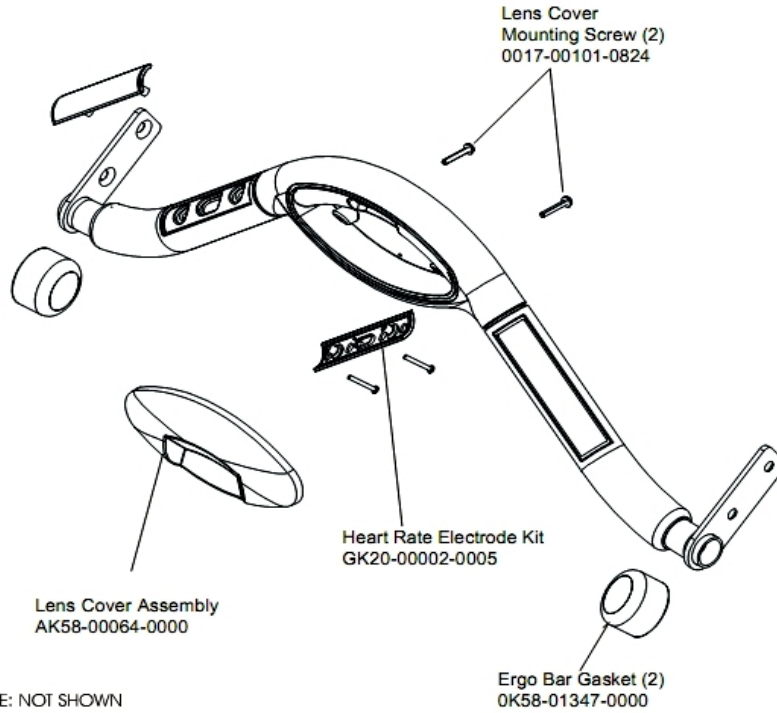
Ref #	Part Number	Qty	Description
-	0017-00101-1772	4	Hardware: Phillips Pan Screw 0.5"
-	0017-00101-1780	4	Hardware: Mounting Screws
-	AK58-00245-0000	1	Bug Medallion
-	0017-00101-1771	4	Hardware: Phillips Pan Screw
-	OK58-01365-0000	2	Decal
-	OK58-01266-0000	1	Front Cover
-	0017-00081-0294	1	Felt Strip - 28"
-	AK58-00228-0000	1	Motor Cover
-	OK58-01267-0000	2	End Cap

Drive Motor Assembly



Ref #	Part Number	Qty	Description
-	AK58-00171-0000	1	Motor with Caution Label
-	0017-00101-0975	2	Hardware: Mounting Bolt 0.375"
-	0017-00103-0027	4	Hardware: Locking Nut. 5/16" ID
-	OK58-01255-0000	4	Hardware: Insulating Washers
-	OK58-01256-0001	2	Insulating Pad
-	OK58-01094-0000	1	Sensor Wheel
-	AK58-00090-0002	1	Flywheel Assembly
-	0017-00101-1631	3	Hardware: Sensor Wheel Mounting Screw
-	0017-00104-0409	4	Hardware: Washer 1.125" OD
-	AK58-00073-0001	1	Speed Sensor Assembly

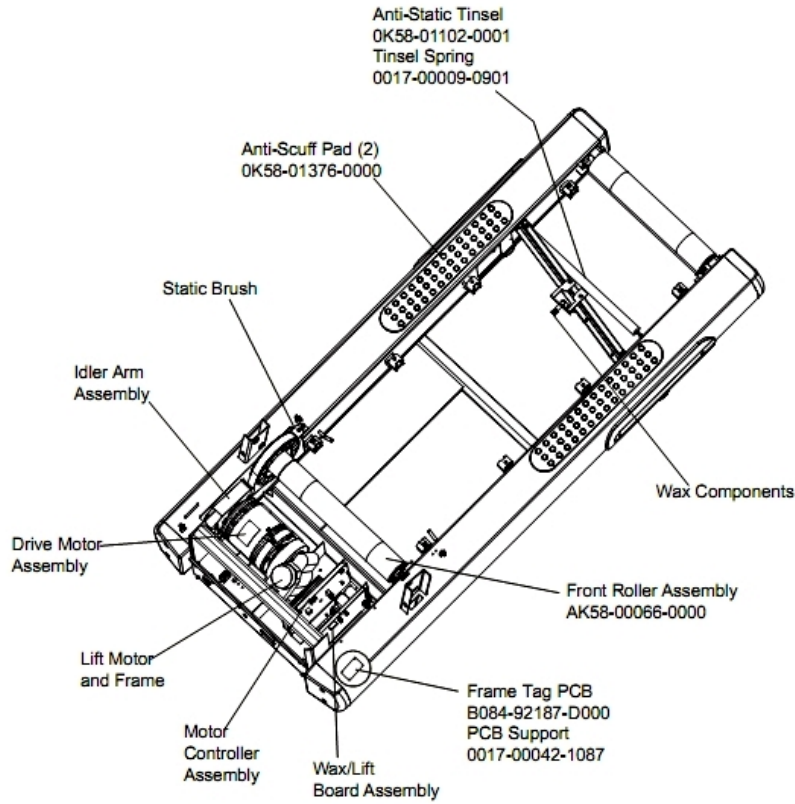
Ergo Bar W/Lifepulse



*NOTE: NOT SHOWN
 CBL-ASSY: H/R Sensors
 AK58-00041-0001
 CBL-ASSY: User Sense Prox.
 AK58-00032-0000

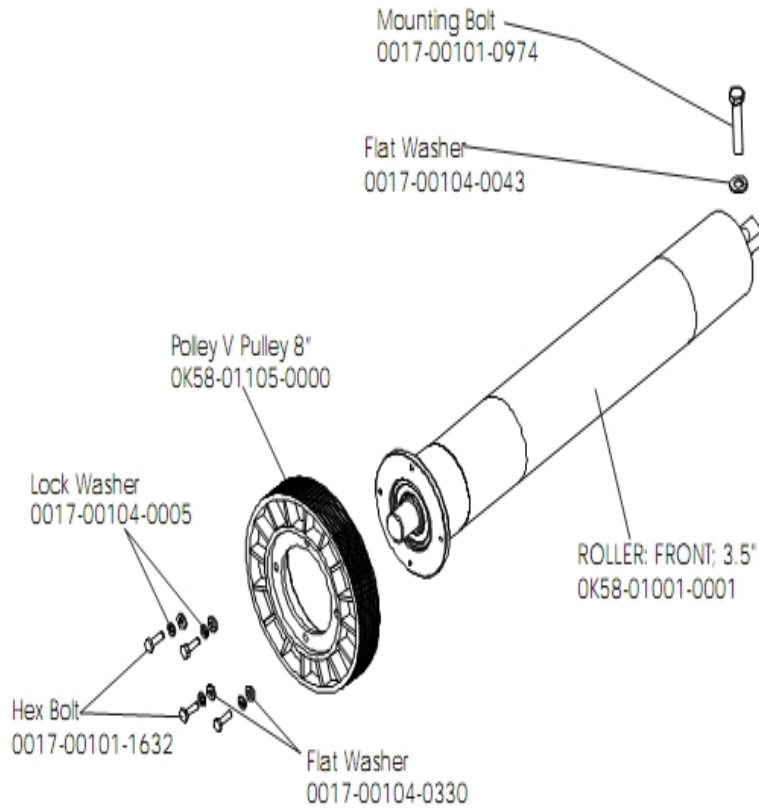
Ref #	Part Number	Qty	Description
-	AK58-00041-0001	1	Heart Rate Sensor Cable
-	AK58-00064-0000	1	I/R Lens Cover Assembly
-	0017-00101-0824	2	Hardware: Screw 1.125"
-	0K58-01347-0000	2	ErgoBar Gasket
-	AK58-00032-0000	1	User Proximity Sensor Cable
-	GK20-00002-0005	2	Heart Rate Electrode Kit

Frame Assembly



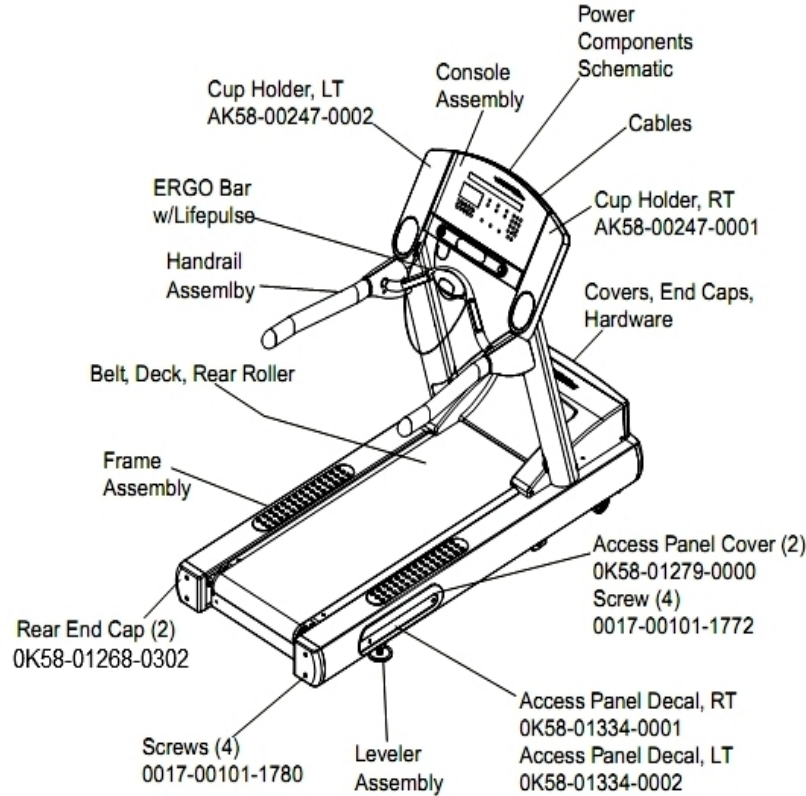
Ref #	Part Number	Qty	Description
-	0K58-01376-0000	2	Anti-Scuff Pad
-	AK58-00066-0000	1	Front Roller Assembly
-	B084-92187-D000	1	Frame Tag PCB
-	0017-00042-1087	1	PCB Support
-	0K58-01102-0001	1	Anti-Static Tinsel
-	0017-00009-0901	1	Tinsel Extension Spring

Front Roller Assy



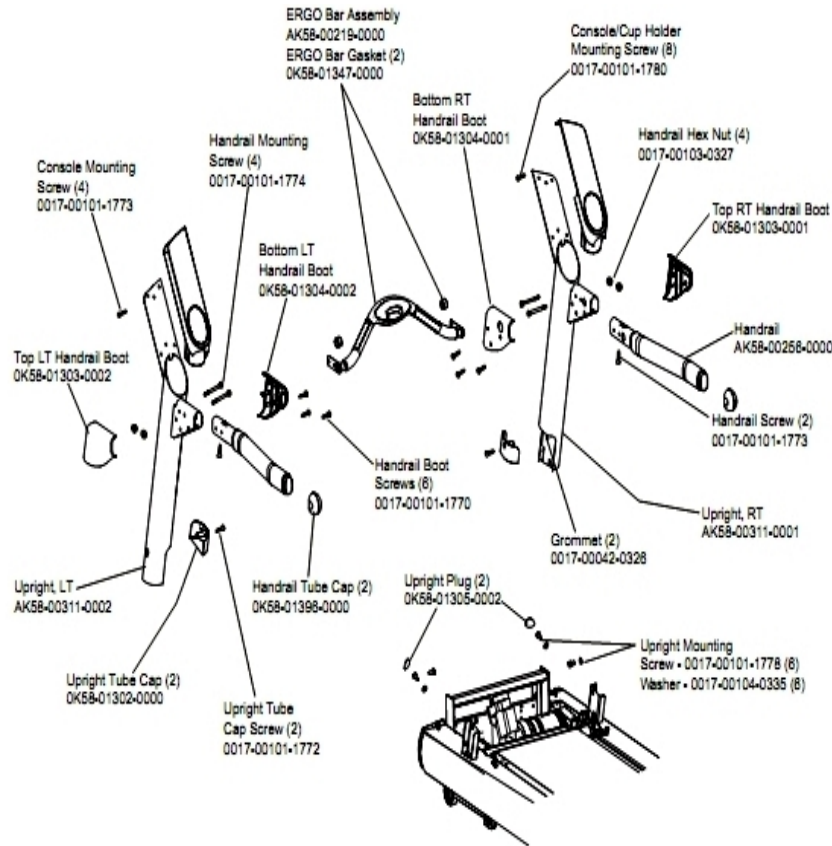
Ref #	Part Number	Qty	Description
-	0017-00104-0330	4	Hardware: Flat Washers 0.562" OD
-	OK58-01105-0000	1	Drive Pulley Poly V - 8"
-	0017-00101-1632	4	Hardware: Hex Bolt 0.875"
-	0017-00104-0043	1	Hardware: Flat Washer 0.734" OD
-	0017-00101-0974	1	Hardware: Mounting Bolt 2"
-	0017-00104-0005	4	Hardware: Lock Washer 0.489" OD

General Assembly



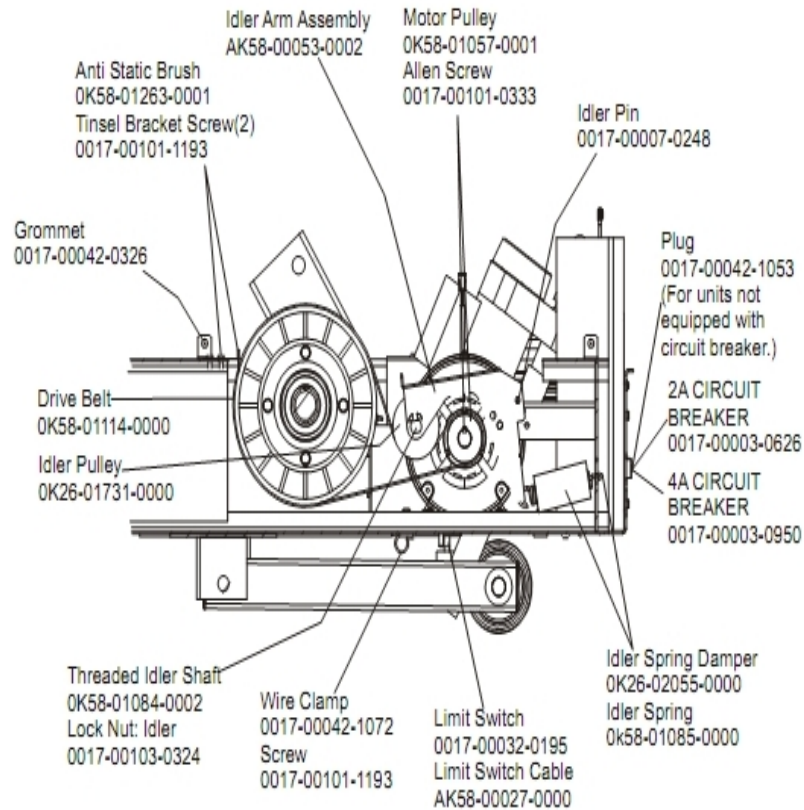
Ref #	Part Number	Qty	Description
-	0K58-01334-0001	1	Access Panel Decal Right
-	0017-00008-0197	1	Paint: Silver Bullet; 4.5OZ. Can
-	0017-00008-0199	1	Paint: Stealth Grey; 4.5OZ. Can
-	0K58-01268-0302	2	ENDCAP: REAR; STEALTH D
-	0017-00101-1772	4	Hardware: Phillips Pan Screw 0.5"
-	0K58-01334-0002	1	Access Panel Decal Left
-	AK58-00247-0001	1	Cup Holder Right
-	0017-00008-0196	1	Paint: Silver Bullet; .6OZ. Bottle
-	AK58-00247-0002	1	Cup Holder Left
-	0017-00101-1780	4	Hardware: Mounting Screws
-	0K58-01279-0000	2	Access Panel Cover
-	0017-00008-0198	1	Paint: Stealth Grey; .6OZ. Bottle B

Handrail Assembly



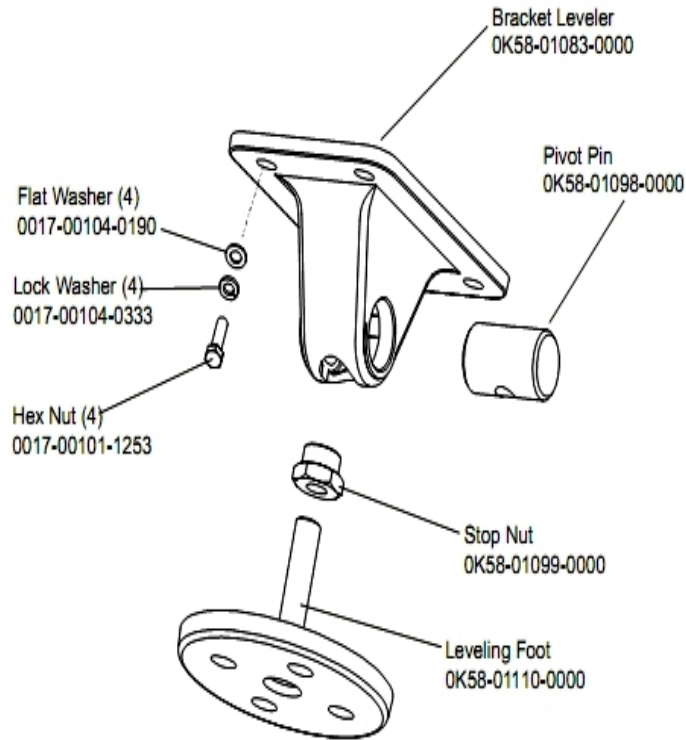
Ref #	Part Number	Qty	Description
-	0017-00101-1773	6	Hardware: TORX Screw 0.5"
-	AK58-00311-0003	1	Upright: Right
-	OK58-01396-0000	4	Endcap
-	OK58-01303-0002	1	Top Left Handrail Boot
-	OK58-01304-0001	1	Bottom Right Handrail Boot
-	OK58-01304-0002	1	Bottom Left Handrail Boot
-	AK58-00219-0000	1	Ergo Bar with Heart Rate Sensors
-	0017-00101-1772	2	Hardware: Phillips Pan Screw 0.5"
-	OK58-01303-0001	1	Top Right Handrail Boot
-	OK58-01347-0000	2	ErgoBar Gasket
-	0017-00042-0326	2	Hardware: Plastic Grommet
-	0017-00103-0327	4	Hardware: Hex Nut 5/16" ID
-	OK58-01302-0103	2	Cap: Upright Tube; Arctic Silver
-	OK58-01305-0002	2	Upright Plug
-	AK58-00256-0001	1	Handrail
-	AK58-00311-0004	1	Upright: Left
-	0017-00101-1778	6	Hardware: Hex Bolt 1"
-	0017-00101-1774	4	Hardware: TORX Screw 2.5"
-	0017-00101-1780	8	Hardware: Mounting Screws
-	0017-00104-0335	6	Hardware: Handrail Washer
-	AK58-00226-0000	1	Hardware Bag

Idler Arm Assembly And Static Brush



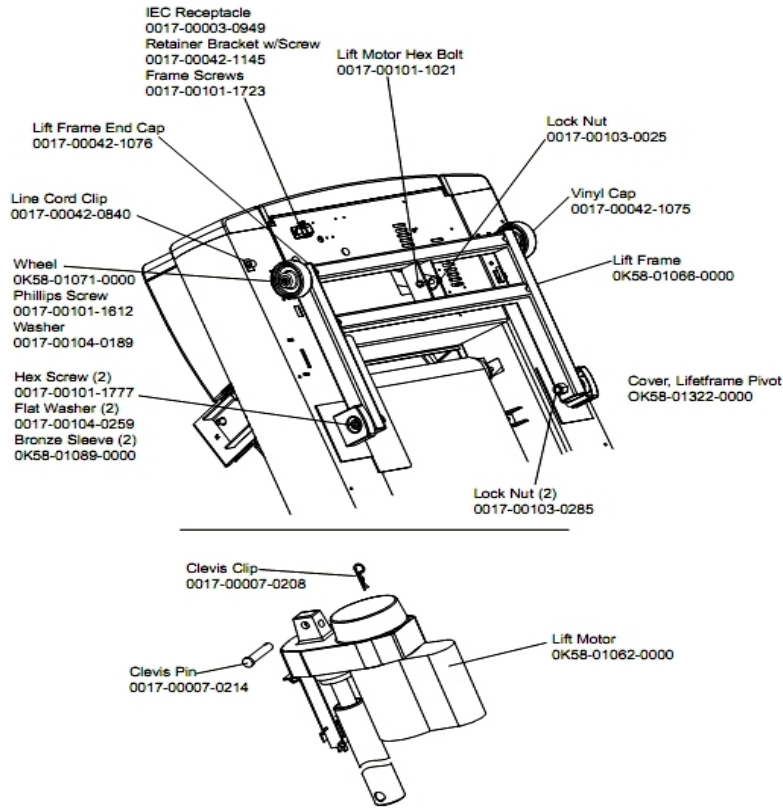
Ref #	Part Number	Qty	Description
-	OK58-01057-0001	1	Drive Pulley - 1.971"
-	AK58-00053-0002	1	Idler Arm Assembly
-	0017-00103-0324	1	Hardware: Thin Lock Nut 3/8" ID
-	AK58-00027-0000	1	Limit Switch Cable
-	OK26-01731-0000	1	Plastic Idler 2 5/8" OD
-	OK26-02055-0000	1	Spring Damper
-	0017-00032-0195	1	Home Switch
-	0017-00042-1072	1	Hardware: Wire Clamp - 5/8"
-	0017-00007-0248	1	Hardware: Locking Pin .31" D 2.125" L
-	0017-00042-0326	1	Hardware: Plastic Grommet
-	0017-00101-1193	3	Hardware: Screw 0.375"
-	OK58-01114-0000	1	Poly-V Drive Belt - 370J12
-	OK58-01084-0002	1	Threaded Shaft
-	OK58-01085-0000	1	Extension Spring
-	OK58-01263-0001	1	Tinsel Bracket
-	0017-00101-0333	1	Hardware: Screw 0.3125"
-	0017-00042-1053	1	Plug (For units not equipped with circuit breaker.)

Leveler Assembly



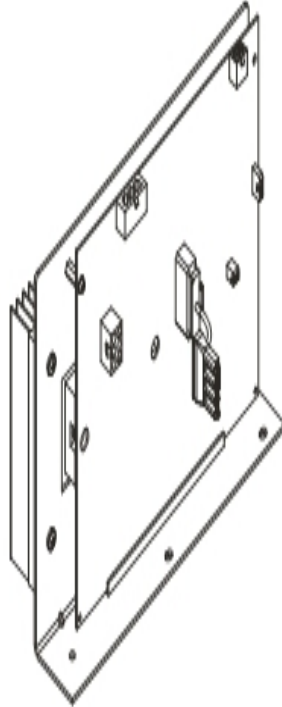
Ref #	Part Number	Qty	Description
-	0017-00104-0333	4	Hardware: Washer 0.683" OD
-	OK58-01110-0000	1	Leveler Foot
-	OK58-01098-0000	1	Hardware: Pivot Pin
-	OK58-01083-0000	1	Leveler Bracket
-	0017-00104-0190	4	Hardware: Flat Washer 0.734" OD
-	OK58-01099-0000	1	Hardware: Stop Nut
-	0017-00101-1253	4	Hardware: Screw

Lift Motor And Frame



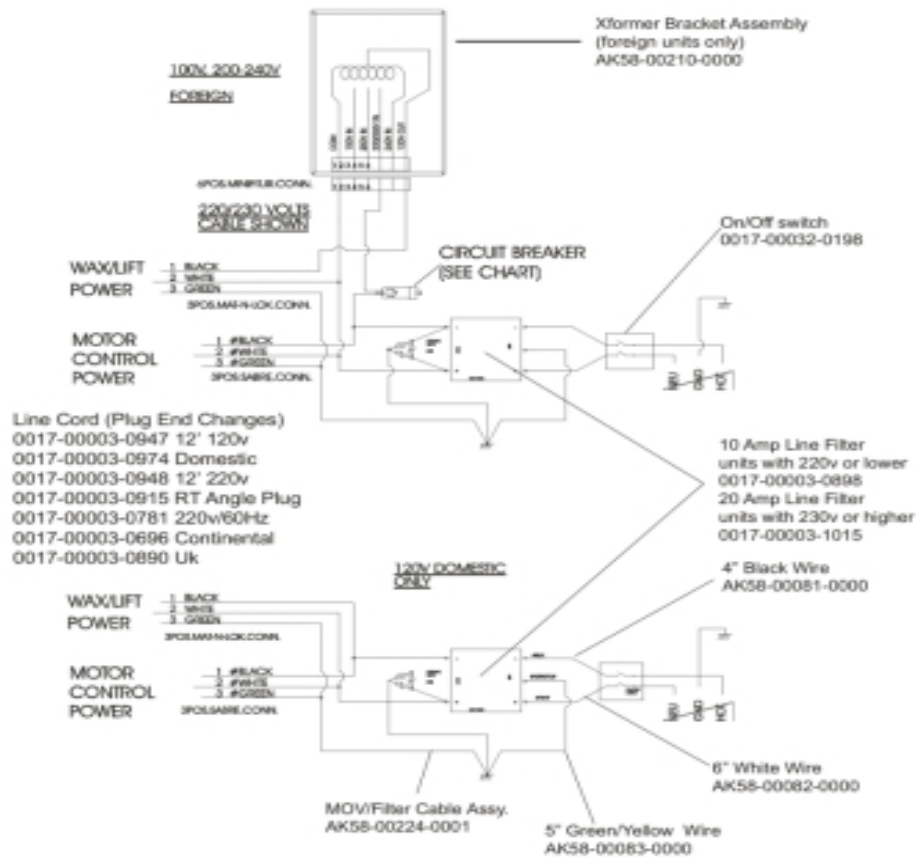
Ref #	Part Number	Qty	Description
-	AK58-00220-0000	1	LIFT-FRAME ASSY: MFG. C
-	0017-00042-1076	1	Lift Frame End Cap
-	0017-00103-0285	2	Hardware: Nut 5/8" ID
-	0K58-01322-0000	1	Lift Frame Pivot Cover
-	0017-00007-0208	1	Hardware: Cotter Pin
-	0017-00101-1777	2	Hardware: Lift Frame Mounting Bolt 2.75"
-	0017-00104-0189	2	Hardware: Flat Washer 1" OD
-	0017-00101-1723	2	Hardware: Phillips Pan Screw 0.375"
-	0017-00003-0949	1	IEC Receptacle
-	0017-00042-1145	1	Power Cord Retainer
-	0017-00101-1021	1	Hardware: Lift Motor Hex Bolt 2.5"
-	0017-00103-0025	1	Hardware: Locking Nut 3/8" ID
-	0K58-01062-0000	1	Lift Motor - 120/60
-	0K58-01089-0000	2	Bronze Sleeve Bushings
-	0017-00042-0840	1	Hardware: Push Mount Clip
-	0K58-01071-0000	2	Wheel
-	0017-00101-1612	2	Hardware: Phillips Screw 0.5"
-	0017-00042-1075	1	Vinyl Cap
-	0017-00104-0259	2	Hardware: Washer 1.331" OD
-	0017-00007-0214	1	Hardware: Clevis Pin 3/8" D 1.75" L

Motor Controller Assembly



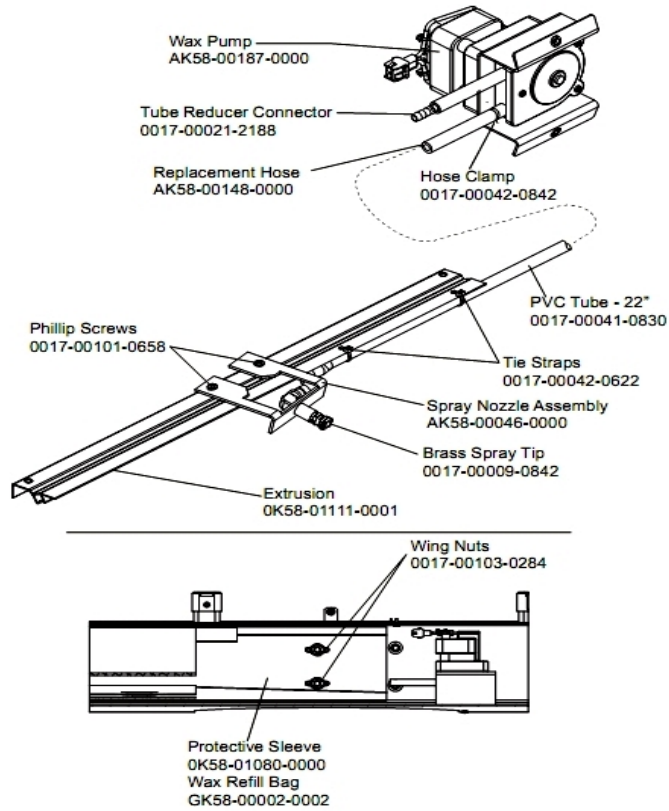
Ref #	Part Number	Qty	Description
-	GK65-00002-0019	1	Motor Controller Assembly (200-240V)

Power Components Schematic



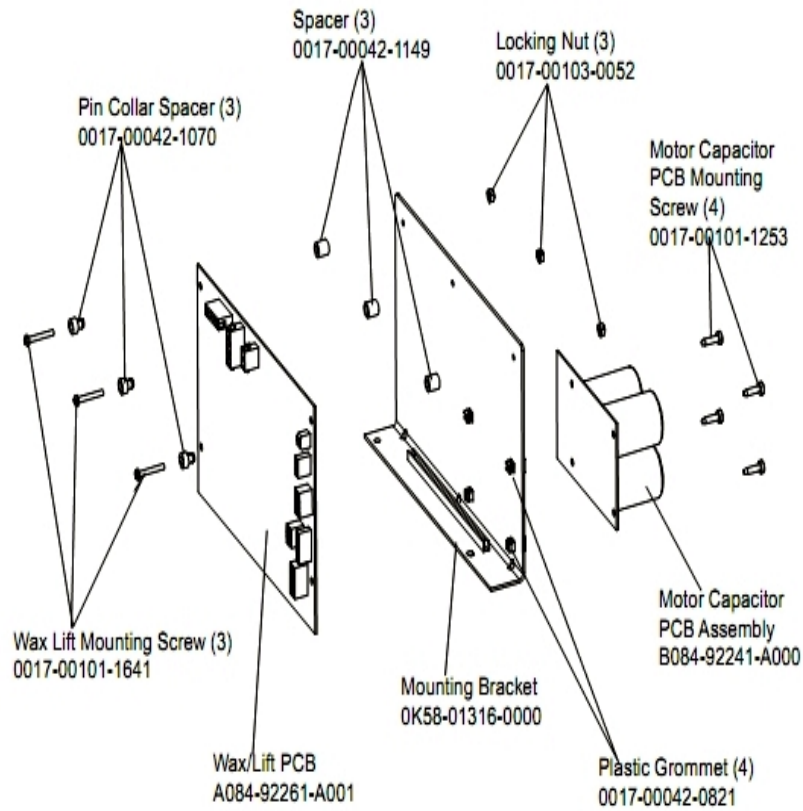
Ref #	Part Number	Qty	Description
-	AK58-00258-0007	1	Cable-Assembly: Power; 220-230V S/C#2-D
-	0017-00003-0948	1	12' 220v Line Cord
-	0017-00003-0974	1	Line Cord: 120V: 8'
-	AK58-00081-0000	1	Jumper Cable Assembly: Black - 4"
-	0017-00032-0198	1	On/Off Switch 22A
-	AK58-00083-0000	1	Cable Assembly
-	AK58-00224-0001	1	Cable: MOV; Fliter
-	0017-00003-0898	1	10 amp Line Filter (INT)
-	AK58-00082-0000	1	Jumper Cable Assembly: White - 6"
-	AK58-00258-0003	1	Power Cable 220/230v
-	0017-00003-0915	1	Line Cord RT Angle Plug
-	AK58-00210-0000	1	Transformer-Bracket Assembly

Wax Components



Ref #	Part Number	Qty	Description
-	OK58-01111-0001	1	Extrusion Assembly
-	AK58-00046-0000	1	Spray Nozzle Assembly
-	0017-00009-0842	1	Brass Spray Tip
-	0017-00041-0830	1	TUBING: PVC; REINFORCED B
-	AK58-00148-0000	1	Replacement Hose
-	0017-00021-2188	1	Tube Reducer Connector
-	AK58-00187-0000	1	Wax Pump
-	0017-00042-0842	1	Hose Clamp
-	0017-00101-0658	1	Hardware: Access Panel Screws
-	0017-00103-0284	2	Hardware: Wing Nut
-	GK58-00002-0002	1	Wax Refill Bag
-	OK58-01080-0000	1	Protective Sleeve
-	0017-00042-0622	1	Cable Tie

Wax/Lift Assembly



Ref #	Part Number	Qty	Description
-	0017-00101-1253	4	Hardware: Screw
-	0017-00101-1641	3	Hardware: Phillips Pan Screw
-	A084-92261-A001	1	Wax/Lift PCB
-	0017-00042-0821	4	Hardware: Plastic Grommet
-	B084-92241-A000	1	Motor Capacitor PCB Assembly
-	0017-00042-1149	3	Spacer
-	0K58-01316-0000	1	Mounting Bracket
-	0017-00103-0052	3	Hardware: Locking Nut ID
-	0017-00042-1070	3	Pin Collar Spacer

