

# 95T Treadmill Base DOM - 4HP AC - Heart Rate - Brazil

95T-DOMHX-06BR

## Parts Manual

1/5/2019 10:47:35 AM



*LifeFitness*  
WHAT WE LIVE FOR

## Table of Contents

---

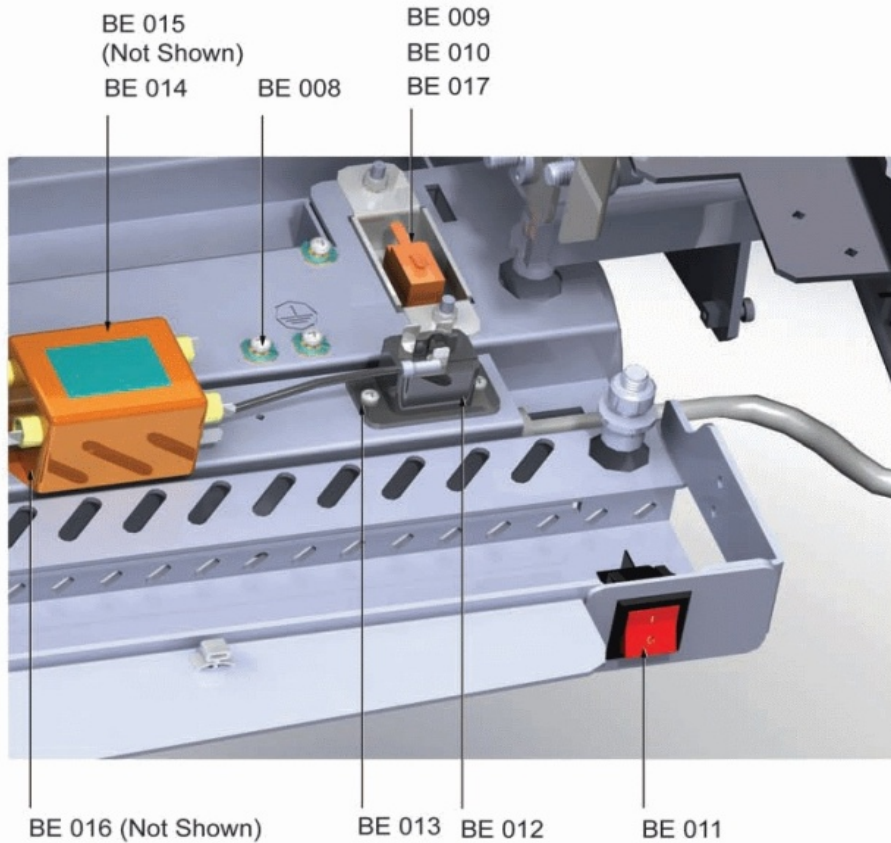
<a href="#">Base Frame Electronics - Motor Controller.....</a>	<a href="#">3</a>
<a href="#">Base Frame Electronics - On-off Switch, Home Switch and Line Filter.....</a>	<a href="#">4</a>
<a href="#">Cables.....</a>	<a href="#">5</a>
<a href="#">Console Assembly - Console Brackets and Covers.....</a>	<a href="#">6</a>
<a href="#">Drive Motor - Drive Motor Assembly.....</a>	<a href="#">7</a>
<a href="#">Drive Motor - Idler Assembly and Drive Belt.....</a>	<a href="#">8</a>
<a href="#">Drive Motor - Motor Pan Brackets.....</a>	<a href="#">9</a>
<a href="#">Heart Rate System - Ergo Bar Components.....</a>	<a href="#">10</a>
<a href="#">Lift System - Lift Frame and Wheels.....</a>	<a href="#">11</a>
<a href="#">Lift System - Lift Motor and Hardware.....</a>	<a href="#">12</a>
<a href="#">Lower Frame - Anti-slip Pad and Extrusions.....</a>	<a href="#">13</a>
<a href="#">Lower Frame - Motor Pan Covers.....</a>	<a href="#">14</a>
<a href="#">Lower Frame - Rear End Caps.....</a>	<a href="#">15</a>
<a href="#">Lower Frame - Uprights and Covers.....</a>	<a href="#">16</a>
<a href="#">Miscellaneous.....</a>	<a href="#">17</a>
<a href="#">Stride (Walking) System - Belt, Deck and Rollers.....</a>	<a href="#">18</a>
<a href="#">Stride (Walking) System - Deck Springs, Stride Sensor and Roller Guards.....</a>	<a href="#">19</a>
<a href="#">Stride (Walking) System - Leg Leveler Assembly.....</a>	<a href="#">20</a>
<a href="#">Upper Frame - Bridge Cover and Activity Zone.....</a>	<a href="#">21</a>
<a href="#">Upper Frame - Handrail and Covers.....</a>	<a href="#">22</a>

## Base Frame Electronics - Motor Controller

---

Ref #	Part Number	Qty	Description
BE-002	AK75-00005-0000	2	Motor Controller: 120V
BE-003	0017-00103-0350	6	Hardware: Hex Nut 5 MM
BE-004	AK65-00082-0000	2	Comm Port Plate Assembly
BE-006	0017-00021-2846	2	F-Type Panel Connector
BE-007	0017-00021-3195	2	COUPLER: CAT5E, SHIELDED, RJ45

## Base Frame Electronics - On-off Switch, Home Switch and Line Filter



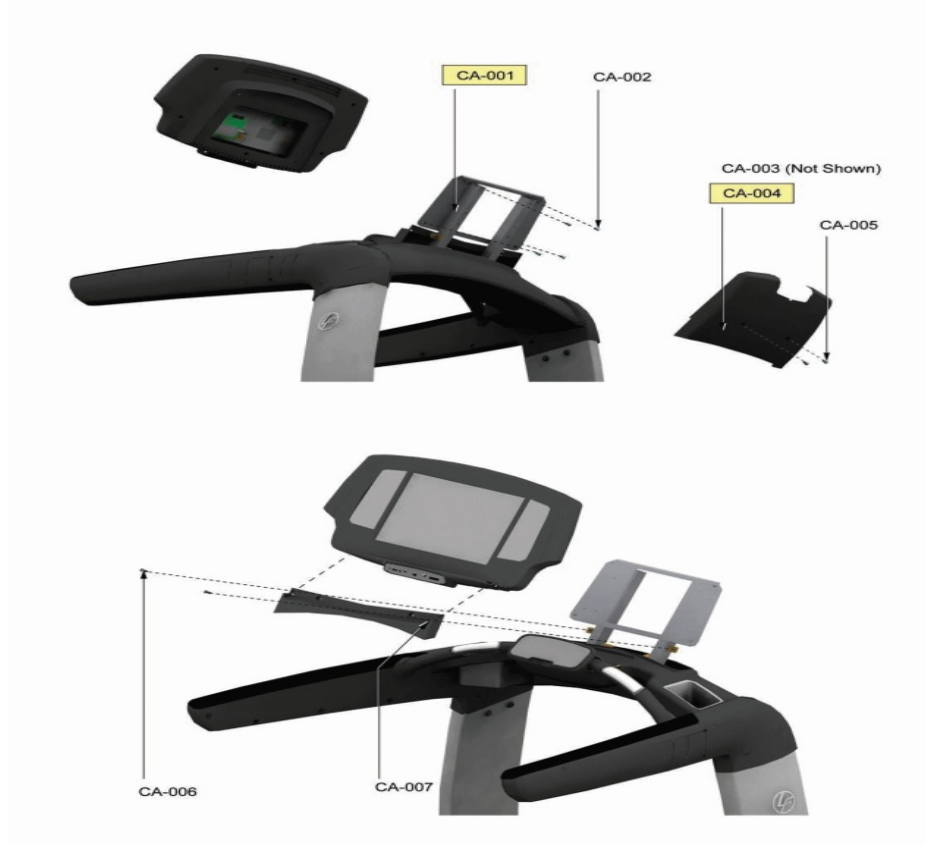
Ref #	Part Number	Qty	Description
BE-008	0017-00101-0883	24	Hardware: Screw 0.375"
BE-008, BE-016	0017-00101-1968	16	Hardware: Ground Screws 10MM
BE-009	0017-00032-0195	2	Home Switch
BE-011	0017-00032-0198	2	On/Off Switch 22A
BE-012	0017-00003-0949	2	IEC Receptacle
BE-013	0017-00101-1969	4	Hardware: IEC Receptacle Mounting Screw 10MM
BE-014	0017-00003-1015	2	20 amp Line Filter (DOM)
BE-017	0017-00104-0460	6	Hardware: Lockwasher 0.562" OD

## Cables

---

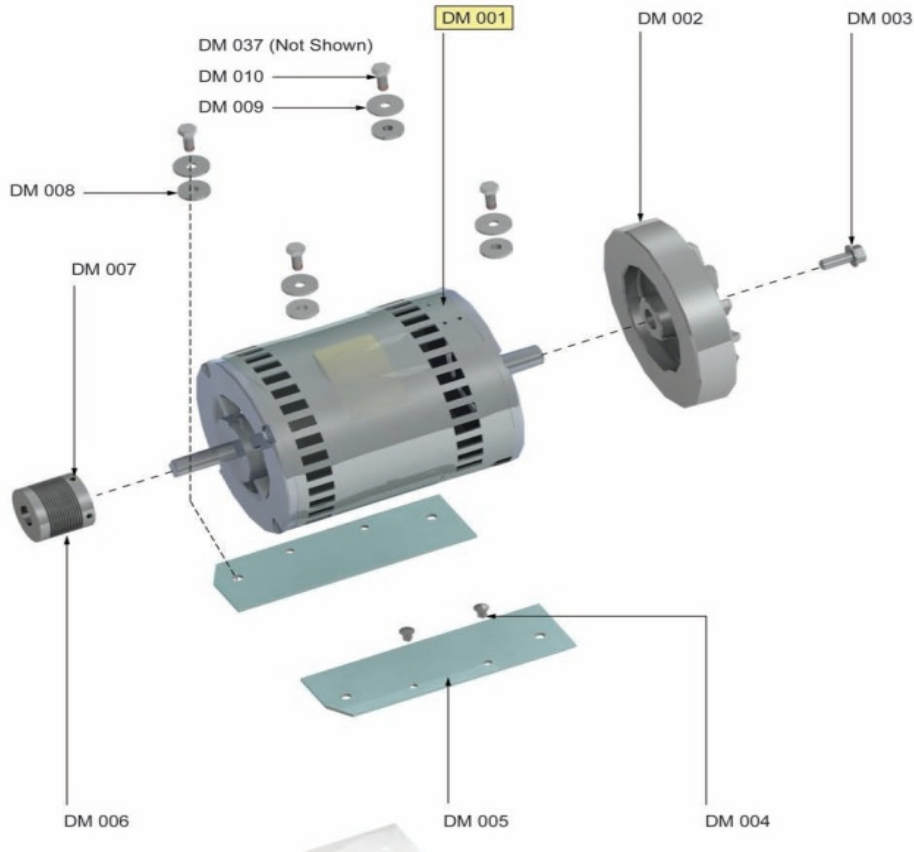
Ref #	Part Number	Qty	Description
CBL-001	AK70-00092-0000	2	CABLE ASSY: CAT5E, V2, 84 INCH
CBL-002	AK65-00062-0000	2	Cable: Coax RG6 Base
CBL-003	AK92-00031-0000	2	CONSOLE TO PCB CABLE ASSEMBLY
CBL-004	AK65-00047-0000	2	Cable: Lifepulse Ergobar
CBL-005	AK58-00036-0000	2	Cable-Assembly: Emergency-Stop Switch
CBL-007	AK58-00034-0001	2	Console Power Cable
CBL-008	AK58-00560-0000	2	Stride Sensor Assembly
CBL-009	AK65-00074-0000	2	Cable: Home Switch
CBL-010	AK58-00521-0000	2	Power Cable: 200-240V
CBL-012	AK92-00060-0000	2	CBL ASSY: AC POWER FOR 24V BRICK EXTERNAL
CBL-013	0017-00003-1091	2	POWER SUPPLY: 24VDC, 5A
CBL-014	AK65-00095-0001	2	Cable: Filter to Switch
CBL-015	AK92-00066-0000	2	CABLE ASSEMBLY: EXTERNAL POWER; TREADMILL
CBL-015	AK65-00117-0000	2	Cable: Coded Polar To Tread MIB Extension
CBL-016	AK92-00040-0000	2	CABLE ASSY: AC POWER INPUT
CBL-017	AK26-00348-0000	2	Cable: Jumper; Ground
CBL-018	AK58-00224-0001	2	Cable: MOV; Fliter
CBL-019	AK58-00263-0000	2	Hi-Pot Jumper Cable
CBL-021	AK65-00103-0002	2	CBL ASSY: GROUND, ESD

## Console Assembly - Console Brackets and Covers



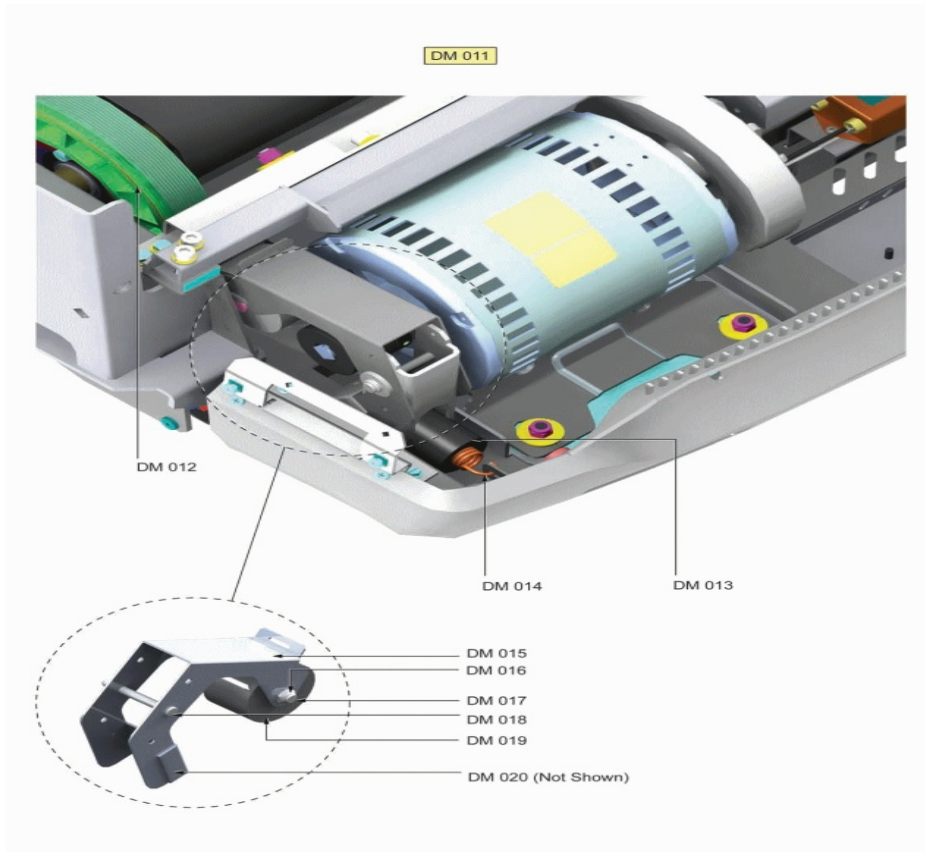
Ref #	Part Number	Qty	Description
CA-001	AK65-00130-0000	2	Console Bridge Weldment with AVK
CA-002	0017-00101-1995	8	Hardware: Console Mounting Screw 10MM
CA-003	0K65-01189-0000	2	LCD Access Cover
CA-004	AK65-00090-0000	2	Rear Console Cover w/Decal
CA-005,CA-006	0017-00101-1953	8	Hardware: Mounting Screw 14MM
CA-007	0K65-01188-0000	2	Console Neck Spacer
CA-008	0017-00101-2108	4	SCR: M5X0.80X14MM SEMS PHL PHMS ST BZ

## Drive Motor - Drive Motor Assembly



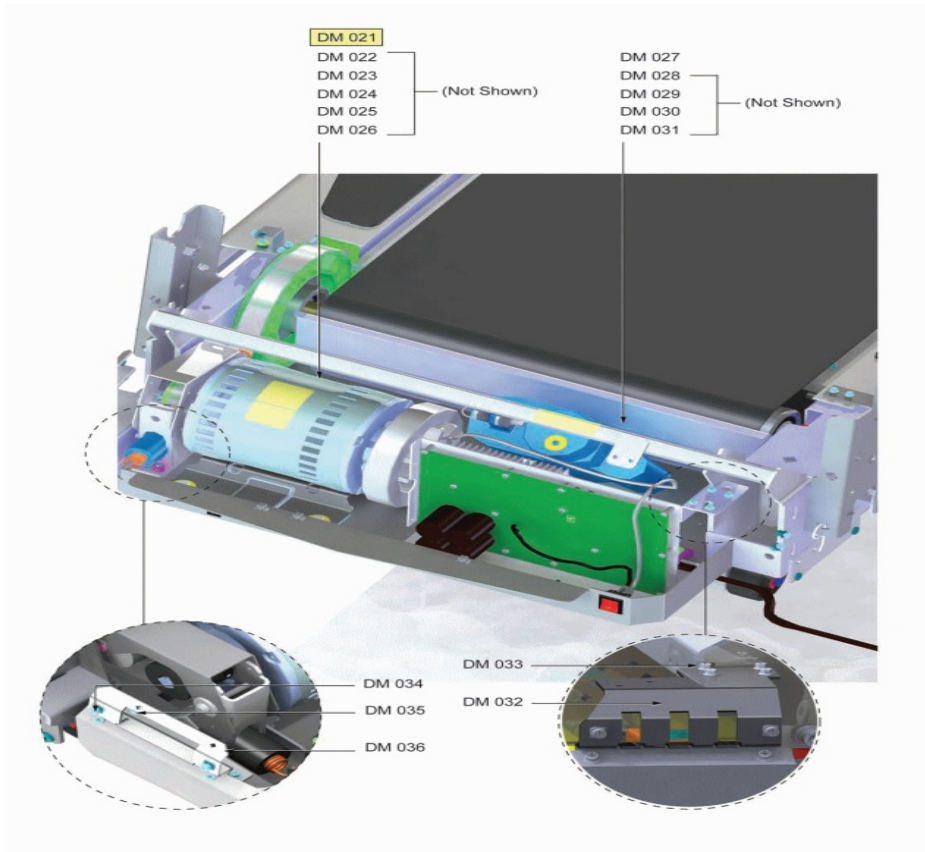
Ref #	Part Number	Qty	Description
DM-001	0K58-01386-0004	2	MOTOR: MAIN DRIVE, 230V/50HZ, W/TAPER
DM-002	0K65-01221-0000	2	Flywheel with Fan
DM-003	0017-00101-1885	2	Hardware: Hex Bolt 1"
DM-004	0017-00042-1212	8	Clip
DM-005	0K58-01256-0001	2	Insulating Pad
DM-006	0K58-01057-0001	2	Drive Pulley - 1.971"
DM-007	0017-00101-0333	4	Hardware: Screw 0.3125"
DM-008	0K58-01255-0000	8	Hardware: Insulating Washers
DM-009	0017-00104-0409	8	Hardware: Washer 1.125" OD
DM-010	0017-00101-1945	8	Hardware: Bolt 20 MM

## Drive Motor - Idler Assembly and Drive Belt



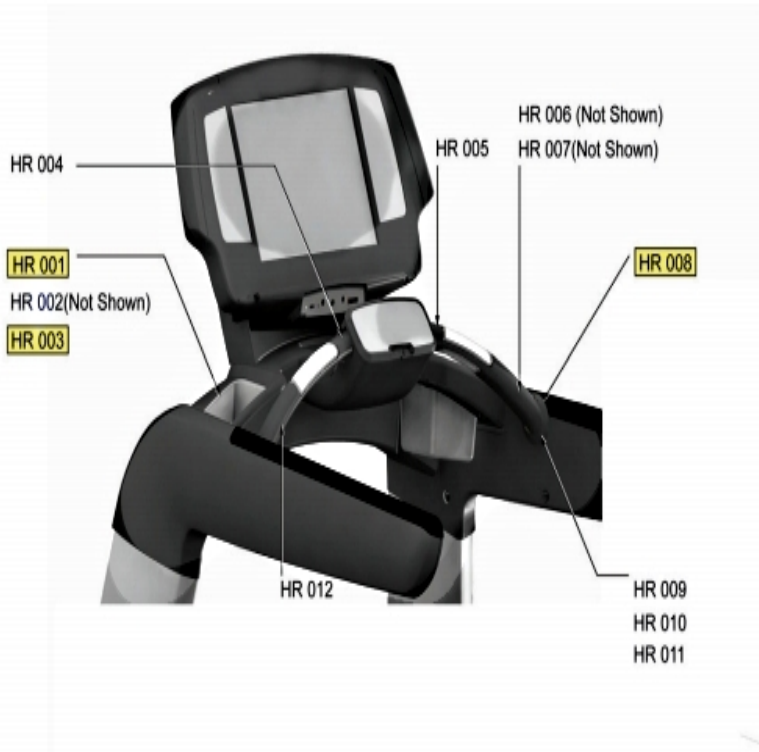
Ref #	Part Number	Qty	Description
DM-011	AK65-00029-0000	2	Idler Assembly
DM-012	0K58-01114-0000	2	Poly-V Drive Belt - 370J12
DM-013	0K26-02055-0000	2	Spring Damper
DM-014	0K58-01085-0000	2	Extension Spring
DM-015	0K65-01113-0000	2	Idler Bracket
DM-016	0017-00103-0324	2	Hardware: Thin Lock Nut 3/8" ID
DM-017	0K58-01084-0002	2	Threaded Shaft
DM-018	0017-00007-0248	2	Hardware: Locking Pin .31" D 2.125" L
DM-019	0K26-01731-0000	2	Plastic Idler 2 5/8" OD
DM-020	0017-00103-0333	8	Hardware: Hex Nut

## Drive Motor - Motor Pan Brackets



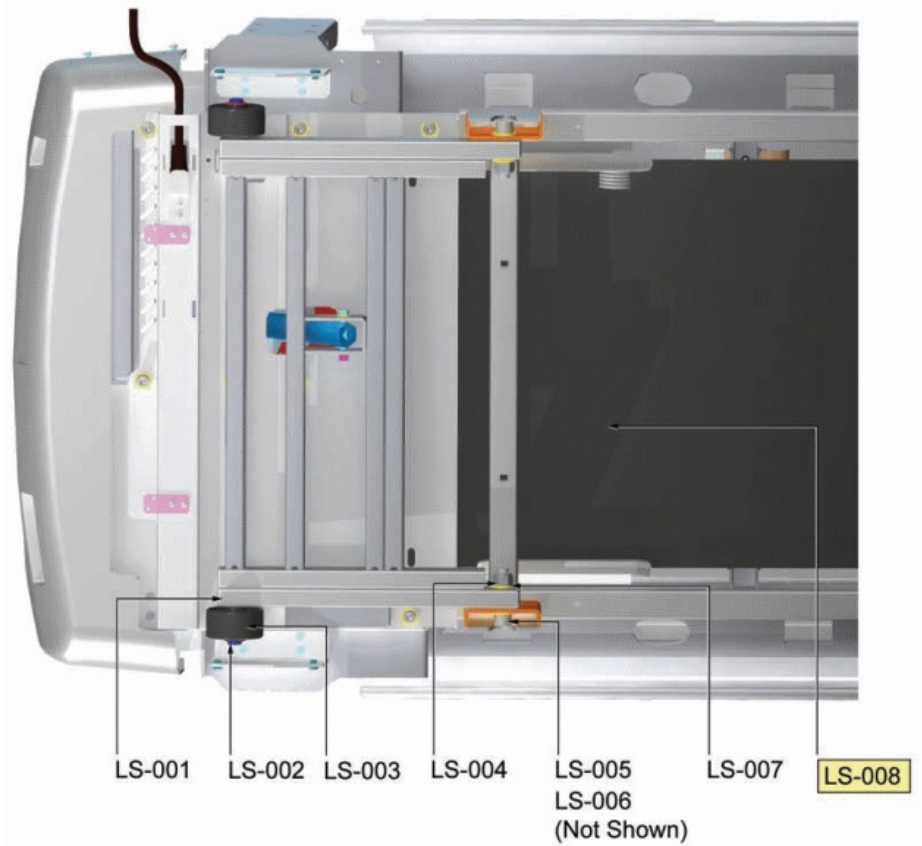
Ref #	Part Number	Qty	Description
DM-032	0K65-01134-0002	2	Left Front Motor Cover Bracket
DM-033,D			
M-035	0017-00101-1961	14	Hardware: Mounting Screw 16MM
DM-034	0K92-01077-0000	2	BRACKET; POWER BRICK
DM-034	0K65-01134-0001	2	Motor Cover Bracket
DM-036	0017-00042-1147	2	Hardware: Nylon Grommet

## Heart Rate System - Ergo Bar Components



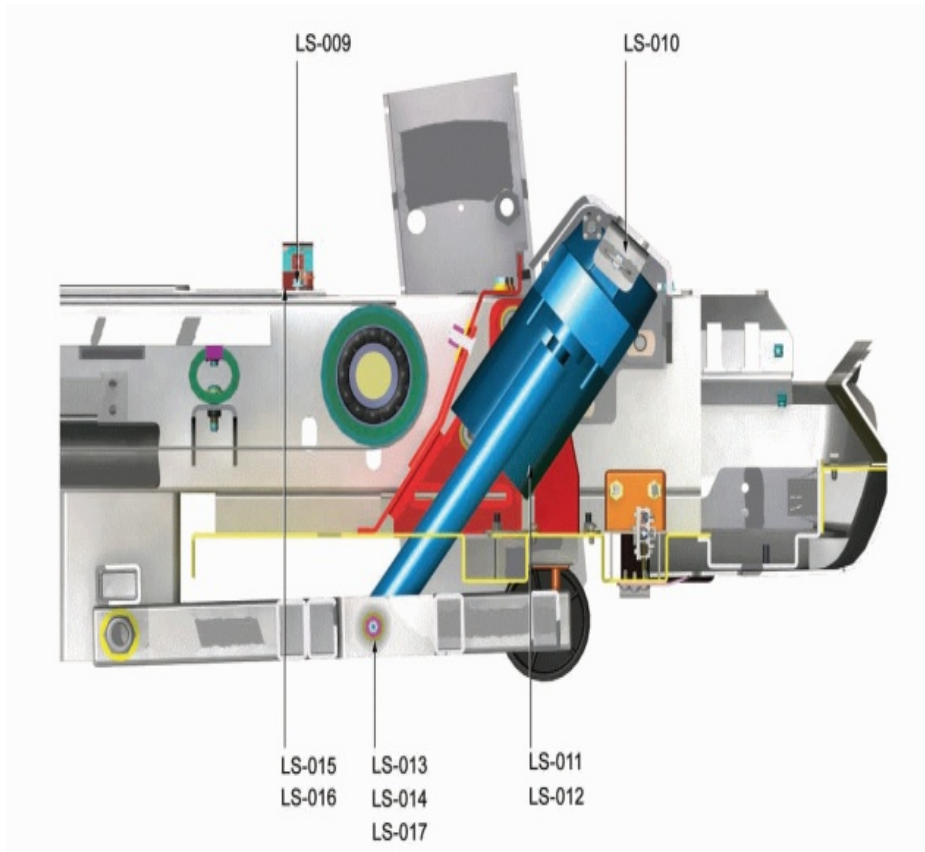
Ref #	Part Number	Qty	Description
HR-001	GK65-00002-0002	2	HR Sensor Kit
HR-002	0017-00101-1984	2	Hardware: Bridge Weldment Mounting Screw 30MM
HR-003	AK65-00129-0000	2	Bridge Weldment with AVK
HR-004	0K65-01204-0002	2	Inner Ergo Bar Gasket (Left)
HR-005	0K65-01204-0001	2	Inner Ergo Bar Gasket (Right)
HR-006	0017-00101-1954	8	Hardware: Mounting Screw 35MM
HR-007	0017-00104-0488	8	Hardware: Flat Washers 11.5 MM OD
HR-008	AK65-00014-0000	2	Ergo Bar Assembly
HR-009	0K65-01203-0001	2	Outer Ergo Bar Gasket (Right)
HR-010	0K65-01270-0000	4	GASKET: TOP SENSOR; PURCH
HR-011	0K65-01269-0000	4	GASKET: BOTTOM SENSOR; PURCH
HR-012	0K65-01203-0002	2	Outer Ergo Bar Gasket (Left)

## Lift System - Lift Frame and Wheels



Ref #	Part Number	Qty	Description
LS-002	0017-00100-0249	4	Snap Ring
LS-003	0K65-01245-0000	4	Lift Wheels
LS-004	0017-00103-0285	4	Hardware: Nut 5/8" ID
LS-005	0017-00101-1777	4	Hardware: Lift Frame Mounting Bolt 2.75"
LS-006	0K58-01089-0000	4	Bronze Sleeve Bushings
LS-007	0017-00104-0259	8	Hardware: Washer 1.331" OD
LS-008	AK65-00137-0000	2	Painted Lift Frame Weldment

## Lift System - Lift Motor and Hardware



Ref #	Part Number	Qty	Description
LS-009	0017-00042-1147	2	Hardware: Nylon Grommet
LS-010	0017-00007-0275	2	Hardware: Ring Grip Pin
LS-012	0K65-01192-0002	2	Actuator: Linear 230 VAC NOM.
LS-013	0017-00101-2038	2	Hardware: Bolt 2"
LS-014	0017-00103-0027	2	Hardware: Locking Nut. 5/16" ID
LS-015	0K65-01135-0001	2	Rear Motor Cover Bracket Right
LS-016	0K65-01135-0002	2	Rear Motor Cover Bracket Left
LS-017	0017-00104-0043	4	Hardware: Flat Washer 0.734" OD

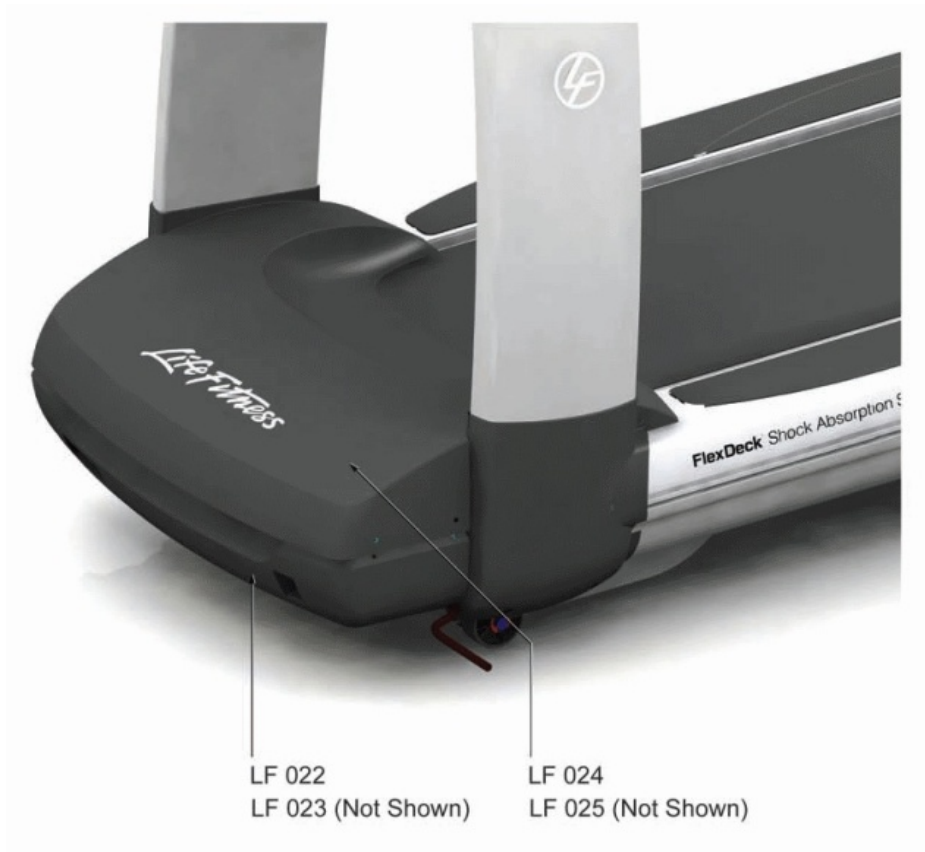
## Lower Frame - Anti-slip Pad and Extrusions



Ref #	Part Number	Qty	Description
LF-012	0K65-01190-0001	2	Right Anti-slip Pad
LF-013	0K65-01190-0002	2	Left Anti slip Pad
LF-014	GK65-00002-0003	2	Right Upper Extrusion/Anti-slip Pad Kit
LF-015	GK65-00002-0004	2	Left Upper Extrusion/Anti-slip Pad Kit
LF-016	AK65-00093-0003	2	RH Lower Frame Extrusion Assembly
LF-017	AK65-00093-0004	2	LH Lower Frame Extrusion Assembly
LF-018	0K65-01354-0000	2	SPACER: LOWER EXTRUSION

## Lower Frame - Motor Pan Covers

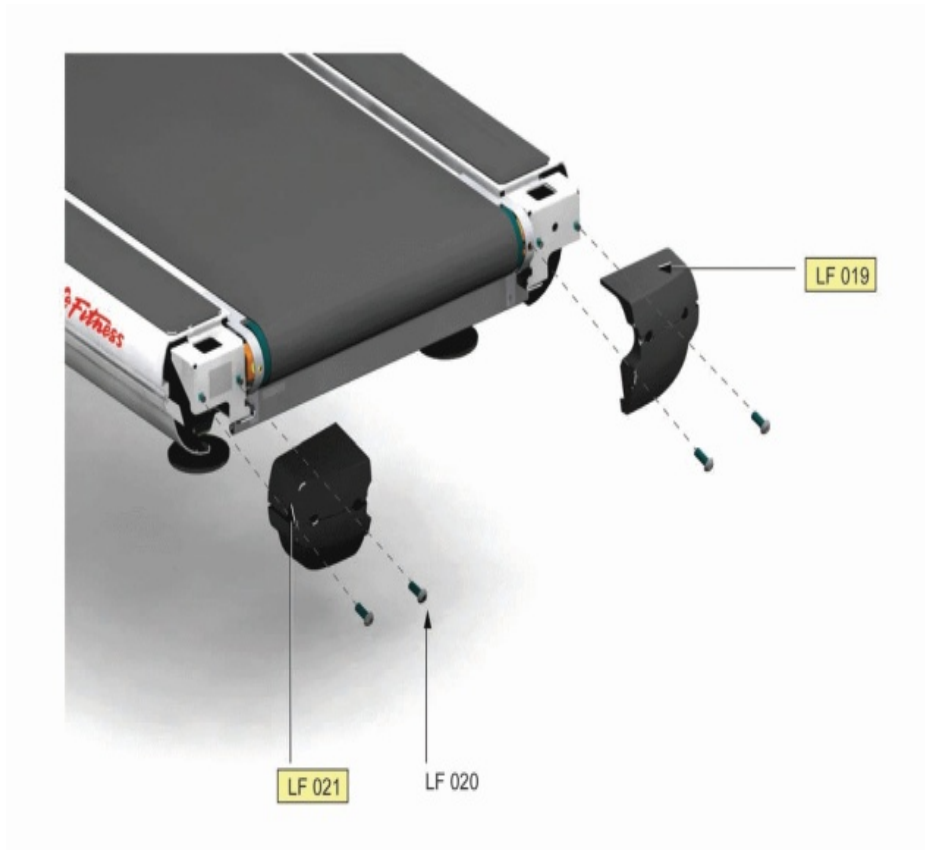
---



Ref #	Part Number	Qty	Description
LF-022	0K65-01126-0001	2	Bottom Motor Cover
LF-023,LF-025	0017-00101-1776	20	Hardware: Mounting Screw 0.5"
LF-024	0K65-01125-0000	2	Top Motor Cover

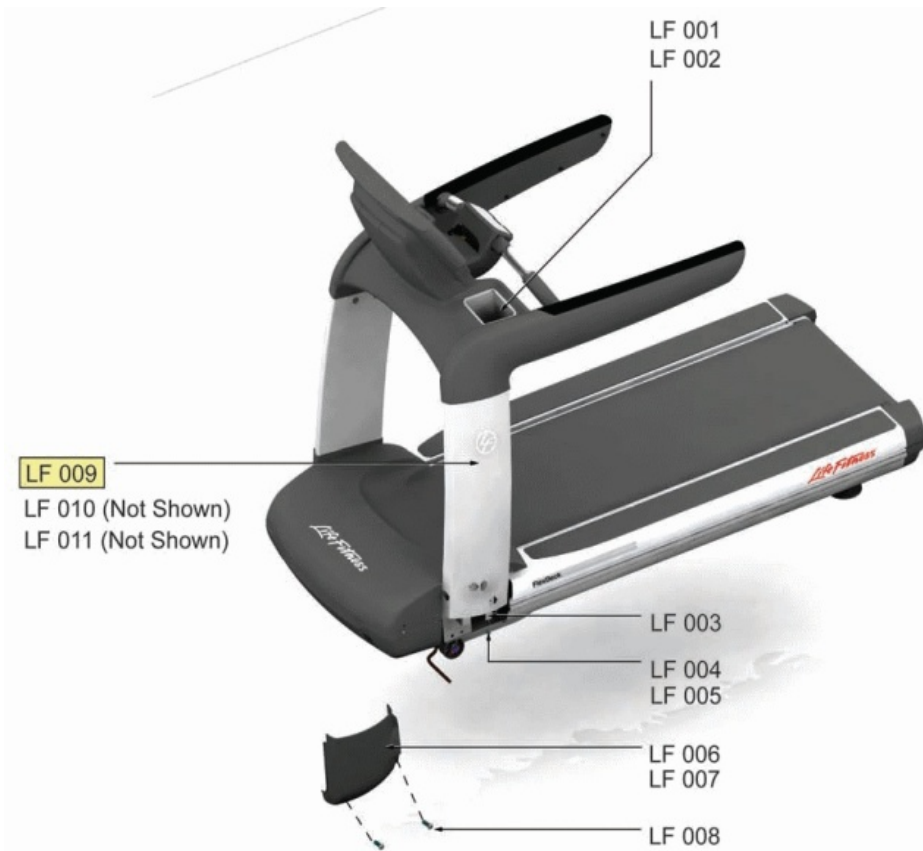
## Lower Frame - Rear End Caps

---



Ref #	Part Number	Qty	Description
LF-019	GK65-00002-0023	2	Right Rear End Cap Kit
LF-020	0017-00101-1776	8	Hardware: Mounting Screw 0.5"
LF-021	GK65-00002-0022	2	Left Rear End Cap Kit

## Lower Frame - Uprights and Covers



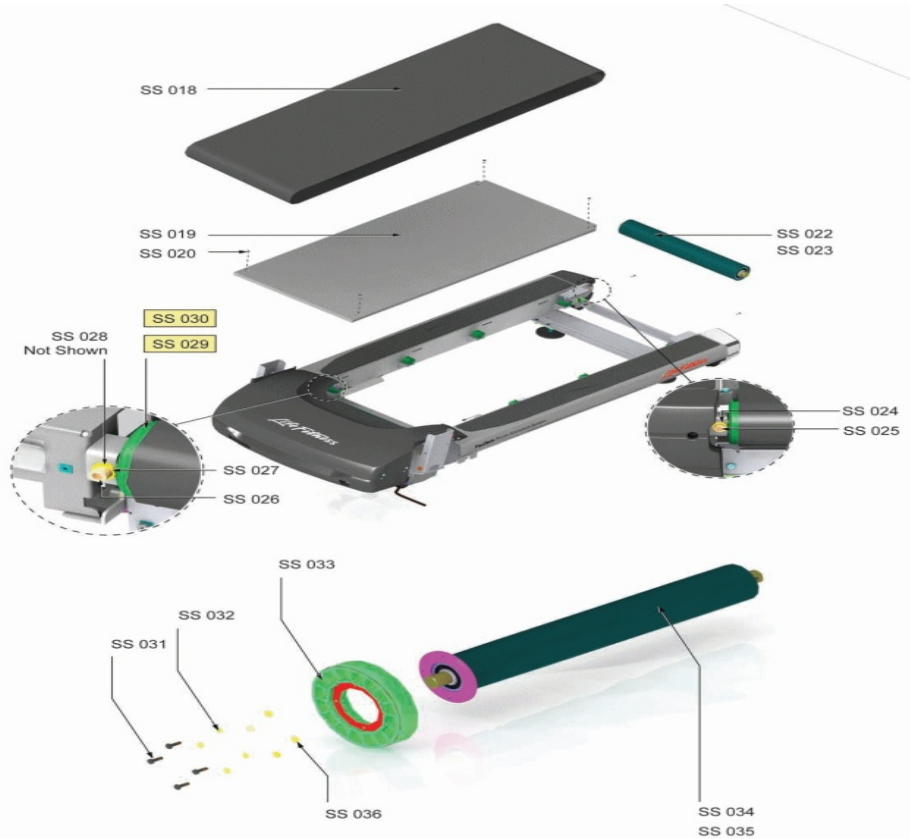
Ref #	Part Number	Qty	Description
LF-001	0K65-01174-0101	2	CUPHOLDER: RT ARC
LF-002	0K65-01174-0102	2	CUPHOLDER: LT ARC
LF-003	0017-00042-0326	8	Hardware: Plastic Grommet
LF-006	0K65-01127-0001	2	Right Upright Cover
LF-007	0K65-01127-0002	2	Left Upright Cover
LF-008	0017-00101-1776	8	Hardware: Mounting Screw 0.5"
LF-009	GK65-00002-0010	2	Right or Left Upright Assembly
LF-010	0017-00101-1984	12	Hardware: Bridge Weldment Mounting Screw 30MM
LF-011	0017-00104-0489	12	Hardware: Washer 20.75 MM OD

## Miscellaneous

---

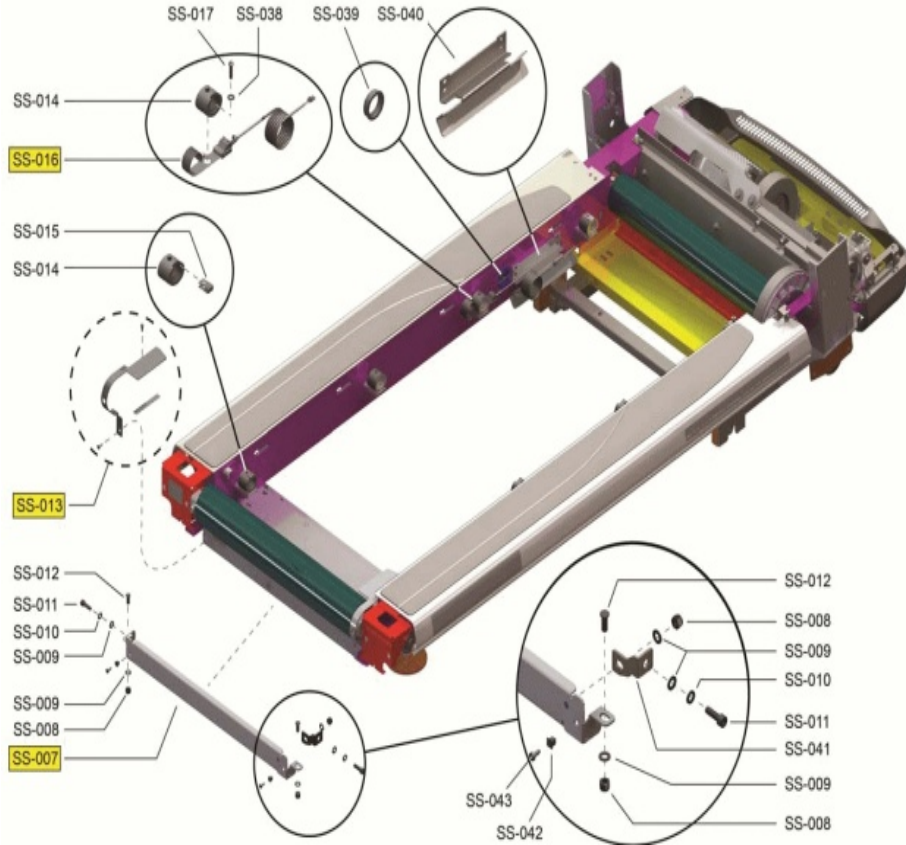
Ref #	Part Number	Qty	Description
-	0017-00008-0204	2	Paint Spray Can - Arctic Silver
-	0017-00104-0489	32	Hardware: Washer 20.75 MM OD
-	0017-00101-1776	16	Hardware: Mounting Screw 0.5"
-	0017-00101-2108	4	SCR: M5X0.80X14MM SEMS PHL PHMS ST BZ
-	0K65-01297-0000	2	Line Cord Bracket
-	0017-00104-0488	38	Hardware: Flat Washers 11.5 MM OD
-	0017-00003-1054	2	Line Cord: Brazil IEC-C19
-	0017-00101-1902	14	Hardware: Screw 20 MM
-	0017-00101-1995	16	Hardware: Console Mounting Screw 10MM
-	0017-00008-0206	2	.33oz Pen - Arctic Silver
-	0017-00101-1769	4	Hardware: Phillips Pan Screw 0.75"
-	0017-00101-1953	136	Hardware: Mounting Screw 14MM
-	0017-00101-1984	32	Hardware: Bridge Weldment Mounting Screw 30MM
-	0017-00101-1954	12	Hardware: Mounting Screw 35MM
-	0017-00008-0205	2	5 oz Bottle - Arctic Silver

## Stride (Walking) System - Belt, Deck and Rollers



Ref #	Part Number	Qty	Description
SS-018	0K65-01002-0000	2	Striding Belt - 95T
SS-019	0K65-01263-0000	2	Deck
SS-020	0017-00101-1775	8	Hardware: Deck Screws 1.25"
SS-022	0K65-01199-0000	2	Rear Roller Domestic - 3.5" Diameter
SS-024	0017-00104-0492	4	Hardware: Flat Washer 750" OD
SS-025	0017-00101-1880	2	Hardware: Tension Bolts 3"
SS-026	0017-00101-0974	2	Hardware: Mounting Bolt 2"
SS-027	0017-00104-0043	2	Hardware: Flat Washer 0.734" OD
SS-028	0017-00104-0006	2	Hardware: Lock Washer 0.683" OD
SS-029	AK65-00067-0000	2	Front Roller Assembly Domestic
SS-031	0017-00101-1632	8	Hardware: Hex Bolt 0.875"
SS-032	0017-00104-0330	8	Hardware: Flat Washers 0.562" OD
SS-033	0K58-01105-0000	2	Drive Pulley Poly V - 8"
SS-034	0K65-01195-0000	2	Front Roller Domestic - 3.5" Diameter
SS-036	0017-00104-0005	8	Hardware: Lock Washer 0.489" OD

## Stride (Walking) System - Deck Springs, Stride Sensor and Roller Guards



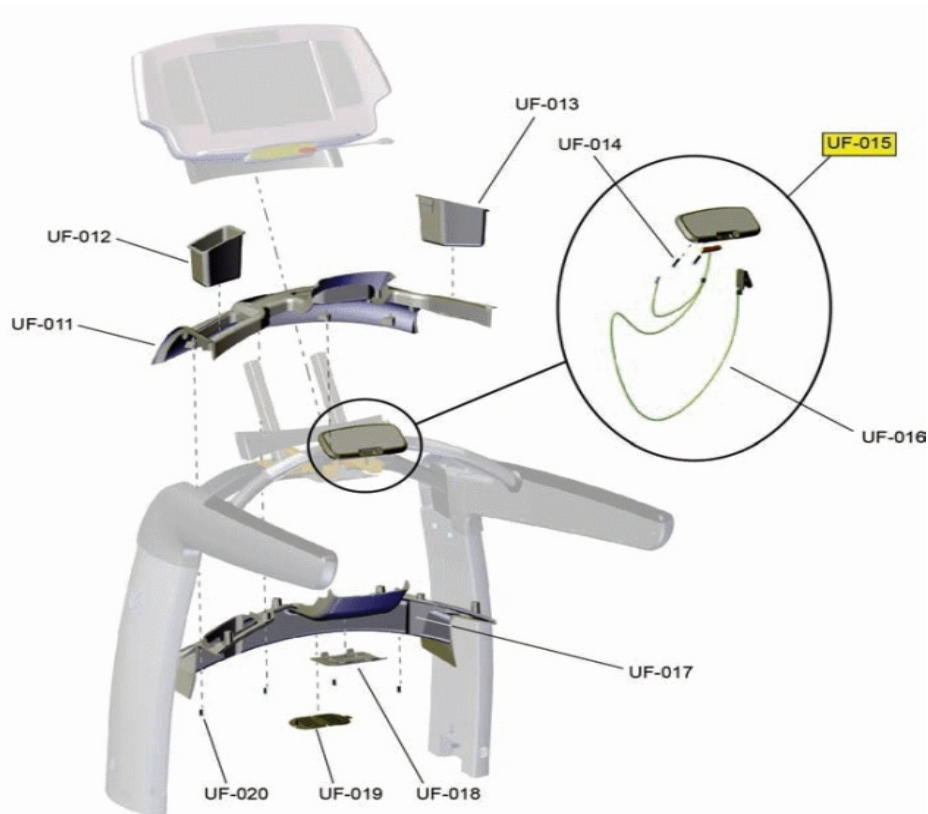
Ref #	Part Number	Qty	Description
SS-008	0017-00103-0333	6	Hardware: Hex Nut
SS-013	GK65-00002-0001	2	Roller Guard Kit
SS-014	0K40-01026-0002	16	Deck Spring
SS-015	0017-00103-0198	8	Hardware: Tinnerman Clip 1/4" ID
SS-016	AK58-00560-0000	2	Stride Sensor Assembly
SS-017	0017-00101-1652	16	Hardware: Spring Mounting Screw 1"
SS-038	0017-00104-0072	16	Hardware: Flat Washer 0.562" OD
SS-039	0017-00042-1180	2	Hardware: Snap Bushing - 1.75"

## Stride (Walking) System - Leg Leveler Assembly



Ref #	Part Number	Qty	Description
SS-002	0017-00103-0333	8	Hardware: Hex Nut
SS-002	0017-00101-1945	8	Hardware: Bolt 20 MM
SS-003	0K58-01083-0000	2	Leveler Bracket
SS-004	0K58-01099-0000	2	Hardware: Stop Nut
SS-005	0K58-01110-0000	2	Leveler Foot
SS-006	0K58-01098-0000	2	Hardware: Pivot Pin

## Upper Frame - Bridge Cover and Activity Zone



Ref #	Part Number	Qty	Description
UF-011	0K65-01051-0000	2	Top Bridge Cover
UF-014	0017-00101-1954	4	Hardware: Mounting Screw 35MM
UF-015	AK65-00015-0002	2	ASSEMBLY: ACTIVITY; APOLLO; MFG
UF-016	AK65-00037-0002	2	TETHER: STOP SWITCH & CLIP
UF-017	AK65-00086-0000	2	Assembly: Bridge Cover; Bottom; Mfg
UF-018	0K65-01053-0000	2	Bezel Access Door
UF-019	0K65-01208-0000	2	Bridge Access Door
UF-020	0017-00101-1953	20	Hardware: Mounting Screw 14MM

## Upper Frame - Handrail and Covers



Ref #	Part Number	Qty	Description
UF-001	0K65-01167-0001	2	Right Outer Handrail Cover
UF-002,UF-008	0017-00101-1953	4	Hardware: Mounting Screw 14MM
UF-003	AK65-00077-0001	2	Right Handrail Assembly
UF-004	0K65-01225-0000	20	Inner Handrail Plug
UF-006	0K65-01168-0001	2	Right Inner Handrail Cover
UF-007	0K65-01168-0002	2	Left Inner Handrail Cover
UF-009	AK65-00077-0002	2	Left Handrail Assembly
UF-010	0K65-01167-0002	2	Left Outer Handrail Cover

