

95T Treadmill Base DOM - 4HP AC - Heart Rate

95T-DOMLX-06

Parts Manual

1/5/2019 10:47:37 AM



LifeFitness
WHAT WE LIVE FOR

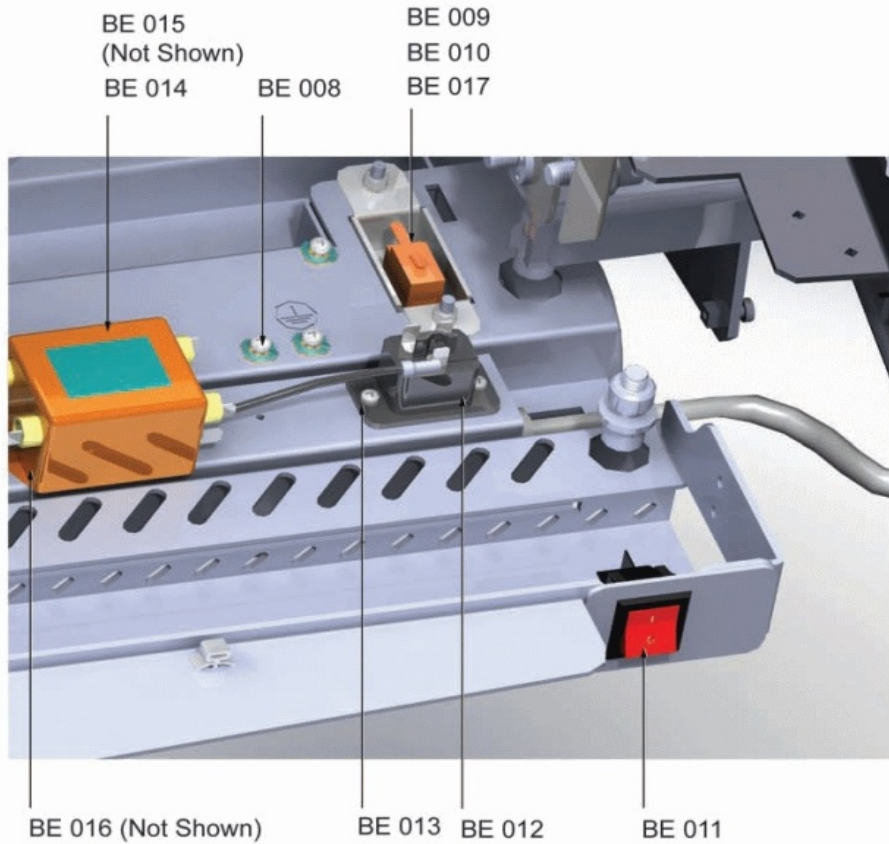
Table of Contents

Base Frame Electronics - Motor Controller.....	3
Base Frame Electronics - On-off Switch, Home Switch and Line Filter.....	4
Cables.....	5
Console Assembly - Console Brackets and Covers.....	6
Drive Motor - Drive Motor Assembly.....	7
Drive Motor - Idler Assembly and Drive Belt.....	8
Drive Motor - Motor Pan Brackets.....	9
Heart Rate System - Ergo Bar Components.....	10
Lift System - Lift Frame and Wheels.....	11
Lift System - Lift Motor and Hardware.....	12
Lower Frame - Anti-slip Pad and Extrusions.....	13
Lower Frame - Motor Pan Covers.....	14
Lower Frame - Rear End Caps.....	15
Lower Frame - Uprights and Covers.....	16
Miscellaneous.....	17
Stride (Walking) System - Belt, Deck and Rollers.....	18
Stride (Walking) System - Deck Springs, Stride Sensor and Roller Guards.....	19
Stride (Walking) System - Leg Leveler Assembly.....	20
Upper Frame - Bridge Cover and Activity Zone.....	21
Upper Frame - Handrail and Covers.....	22

Base Frame Electronics - Motor Controller

Ref #	Part Number	Qty	Description
BE-001	0017-00021-2846	1	F-Type Panel Connector
BE-002	0017-00021-3195	1	COUPLER: CAT5E, SHIELDED, RJ45
BE-003	0017-00103-0350	3	Hardware: Hex Nut 5 MM
BE-004	AK75-00005-0000	1	Motor Controller: 120V
BE-005	AK65-00082-0000	1	Comm Port Plate Assembly

Base Frame Electronics - On-off Switch, Home Switch and Line Filter

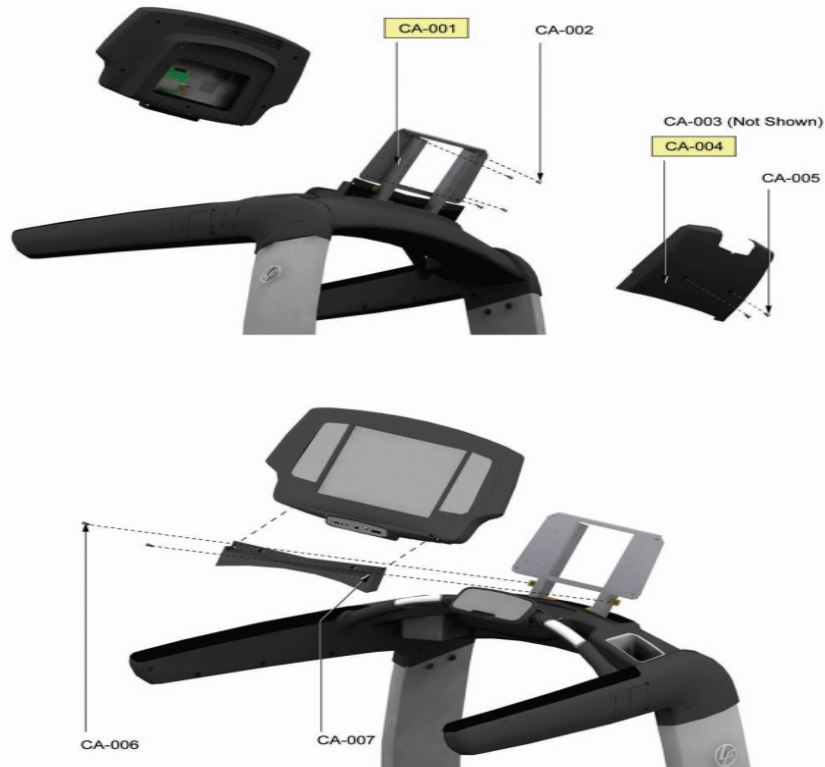


Ref #	Part Number	Qty	Description
BE-006	0017-00003-0949	1	IEC Receptacle
BE-007	0017-00003-1015	1	20 amp Line Filter (DOM)
BE-008	0017-00032-0195	1	Home Switch
BE-009	0017-00032-0198	1	On/Off Switch 22A
BE-010	0017-00101-0883	12	Hardware: Screw 0.375"
BE-011	0017-00101-1968	8	Hardware: Ground Screws 10MM
BE-012	0017-00101-1969	2	Hardware: IEC Receptacle Mounting Screw 10MM
BE-013	0017-00104-0460	3	Hardware: Lockwasher 0.562" OD

Cables

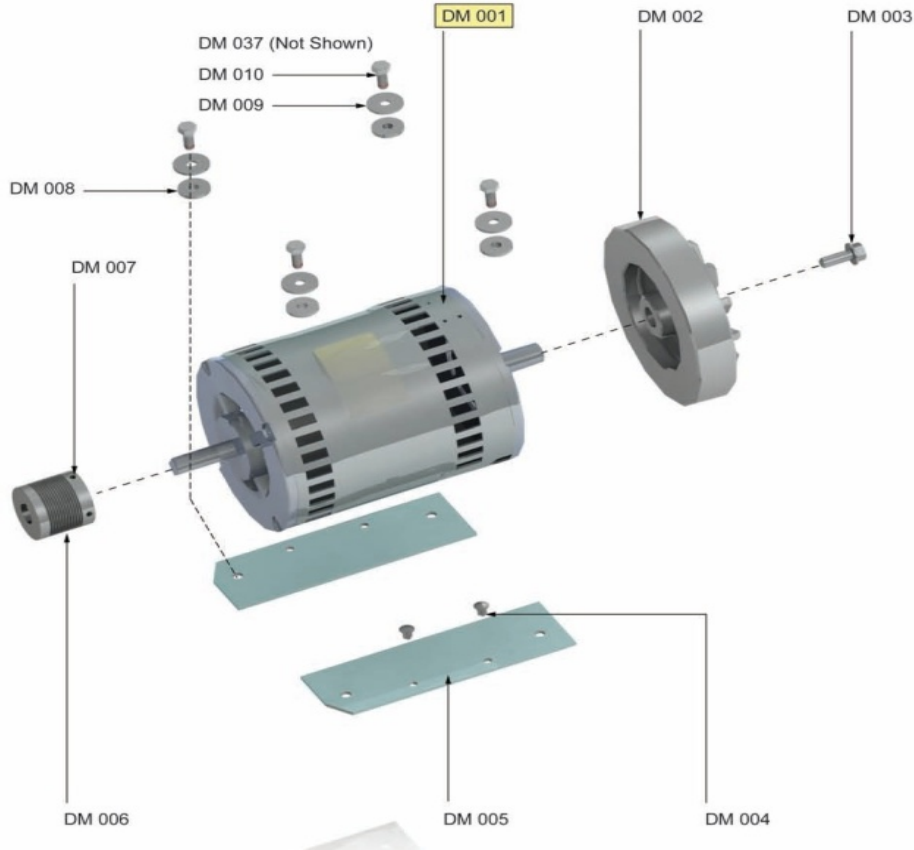
Ref #	Part Number	Qty	Description
CBL-001	AK26-00348-0001	1	Jumper Ground Cable
CBL-002	AK92-00031-0000	1	CONSOLE TO PCB CABLE ASSEMBLY
CBL-003	AK58-00034-0001	1	Console Power Cable
CBL-004	AK58-00224-0001	1	Cable: MOV; Fliter
CBL-005	AK58-00263-0000	1	Hi-Pot Jumper Cable
CBL-006	AK58-00520-0000	1	Power Cable Assembly: 100-120V
CBL-007	AK58-00560-0000	1	Stride Sensor Assembly
CBL-008	AK65-00047-0000	1	Cable: Lifepulse Ergobar
CBL-009	AK65-00062-0000	1	Cable: Coax RG6 Base
CBL-010	AK70-00092-0000	1	CABLE ASSY: CAT5E, V2, 84 INCH
CBL-011	AK65-00074-0000	1	Cable: Home Switch
CBL-012	AK92-00040-0000	1	CABLE ASSY: AC POWER INPUT
CBL-013	AK92-00066-0000	1	CABLE ASSEMBLY: EXTERNAL POWER; TREADMILL
CBL-014	AK65-00095-0001	1	Cable: Filter to Switch
CBL-015	AK65-00117-0000	1	Cable: Coded Polar To Tread MIB Extension
CBL-016	AK58-00036-0000	1	Cable-Assembly: Emergency-Stop Switch
CBL-017	AK92-00056-0000	1	CABLE ASSY: POWER, 120V, PCST
CBL-018	0017-00003-1091	1	POWER SUPPLY: 24VDC, 5A
CBL-019	AK70-00039-0000	1	Cable Assembly: Polar Extension
CBL-020	AK92-00060-0000	1	CBL ASSY: AC POWER FOR 24V BRICK EXTERNAL
CBL-021	AK65-00103-0002	1	CBL ASSY: GROUND, ESD

Console Assembly - Console Brackets and Covers



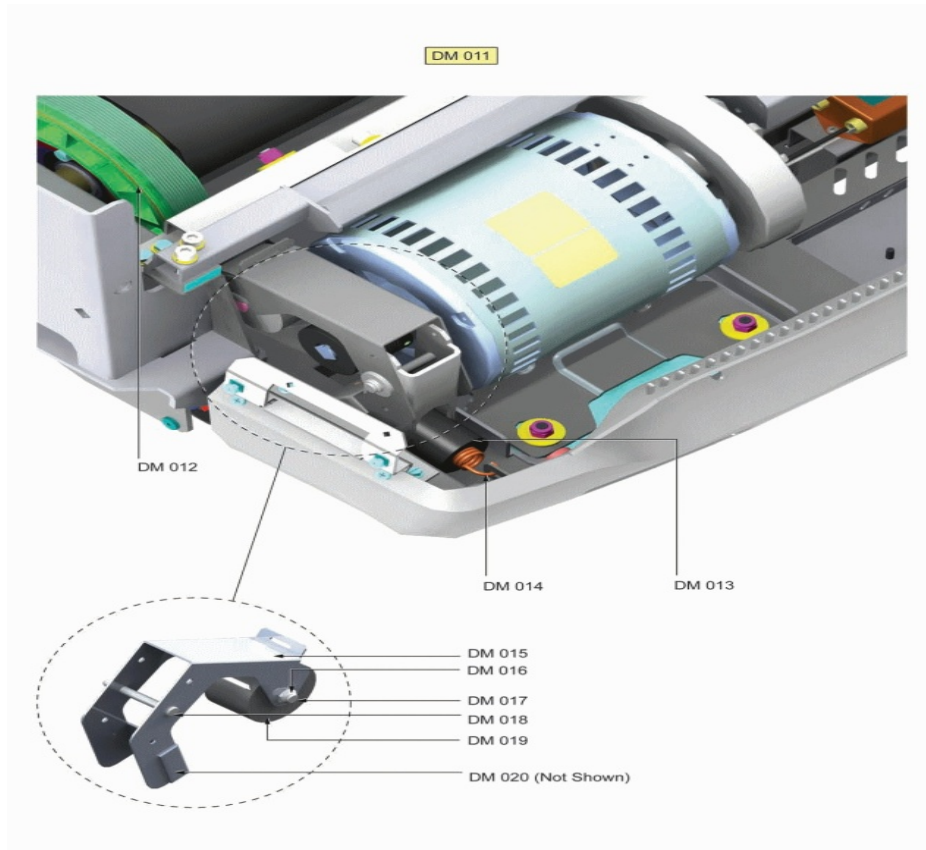
Ref #	Part Number	Qty	Description
CA-001	AK65-00130-0000	1	Console Bridge Weldment with AVK
CA-002	0017-00101-1995	4	Hardware: Console Mounting Screw 10MM
CA-003	0K65-01189-0000	1	LCD Access Cover
CA-004	AK65-00090-0000	1	Rear Console Cover w/Decal
CA-005,CA-006	0017-00101-1953	4	Hardware: Mounting Screw 14MM
CA-007	0K65-01188-0000	1	Console Neck Spacer
CA-008	0017-00101-2108	2	SCR: M5X0.80X14MM SEMS PHL PHMS ST BZ

Drive Motor - Drive Motor Assembly



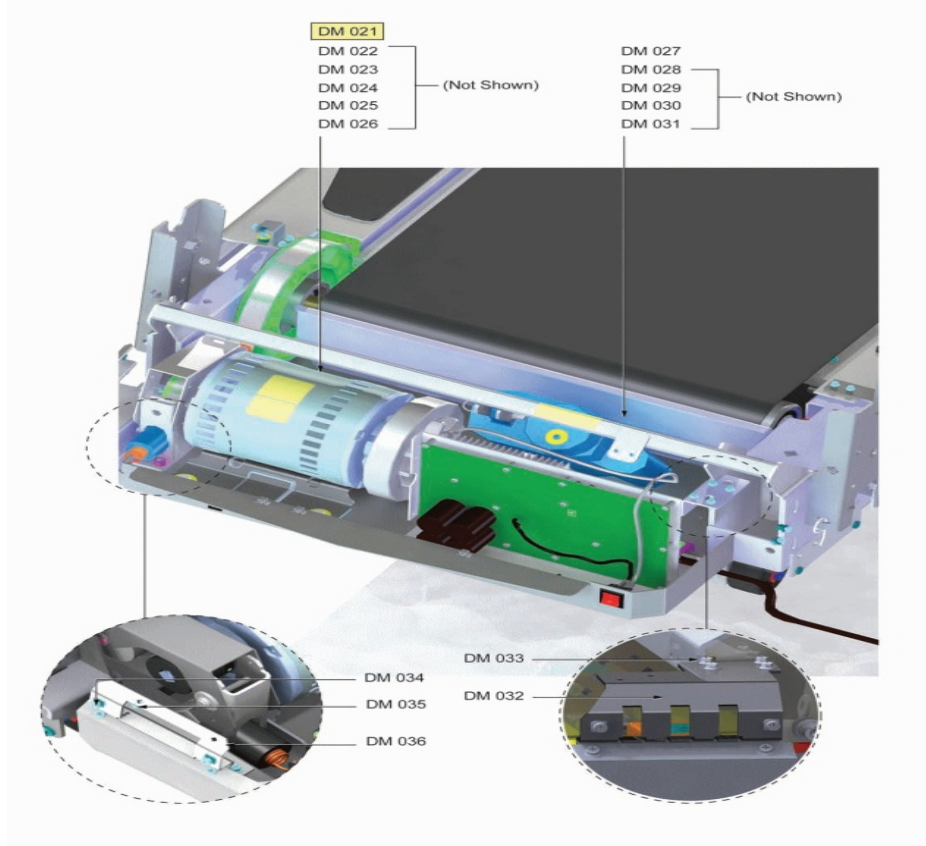
Ref #	Part Number	Qty	Description
DM-001	0K58-01386-0004	1	MOTOR: MAIN DRIVE, 230V/50HZ, W/TAPER
DM-002	0K65-01221-0000	1	Flywheel with Fan
DM-003	0017-00101-1885	1	Hardware: Hex Bolt 1"
DM-004	0017-00042-1212	4	Clip
DM-005	0K58-01256-0001	1	Insulating Pad
DM-006	0K58-01057-0001	1	Drive Pulley - 1.971"
DM-007	0017-00101-0333	2	Hardware: Screw 0.3125"
DM-008	0K58-01255-0000	4	Hardware: Insulating Washers
DM-009	0017-00104-0409	4	Hardware: Washer 1.125" OD
DM-010	0017-00101-1945	4	Hardware: Bolt 20 MM

Drive Motor - Idler Assembly and Drive Belt



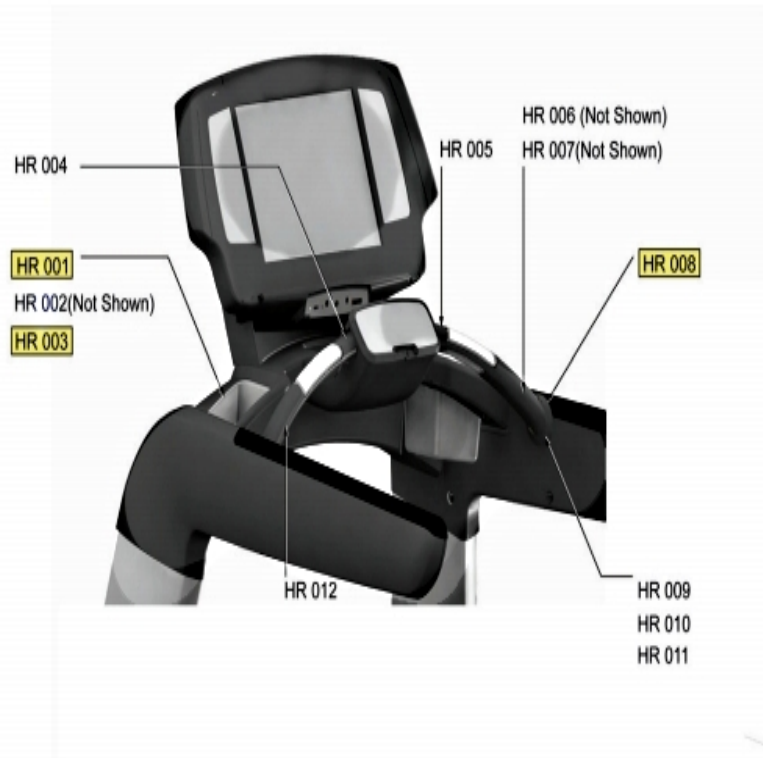
Ref #	Part Number	Qty	Description
DM-011	AK65-00029-0000	1	Idler Assembly
DM-012	0K58-01114-0000	1	Poly-V Drive Belt - 370J12
DM-013	0K26-02055-0000	1	Spring Damper
DM-014	0K58-01085-0000	1	Extension Spring
DM-015	0K65-01113-0000	1	Idler Bracket
DM-016	0017-00103-0324	1	Hardware: Thin Lock Nut 3/8" ID
DM-017	0K58-01084-0002	1	Threaded Shaft
DM-018	0017-00007-0248	1	Hardware: Locking Pin .31" D 2.125" L
DM-019	0K26-01731-0000	1	Plastic Idler 2 5/8" OD
DM-020	0017-00103-0333	4	Hardware: Hex Nut

Drive Motor - Motor Pan Brackets



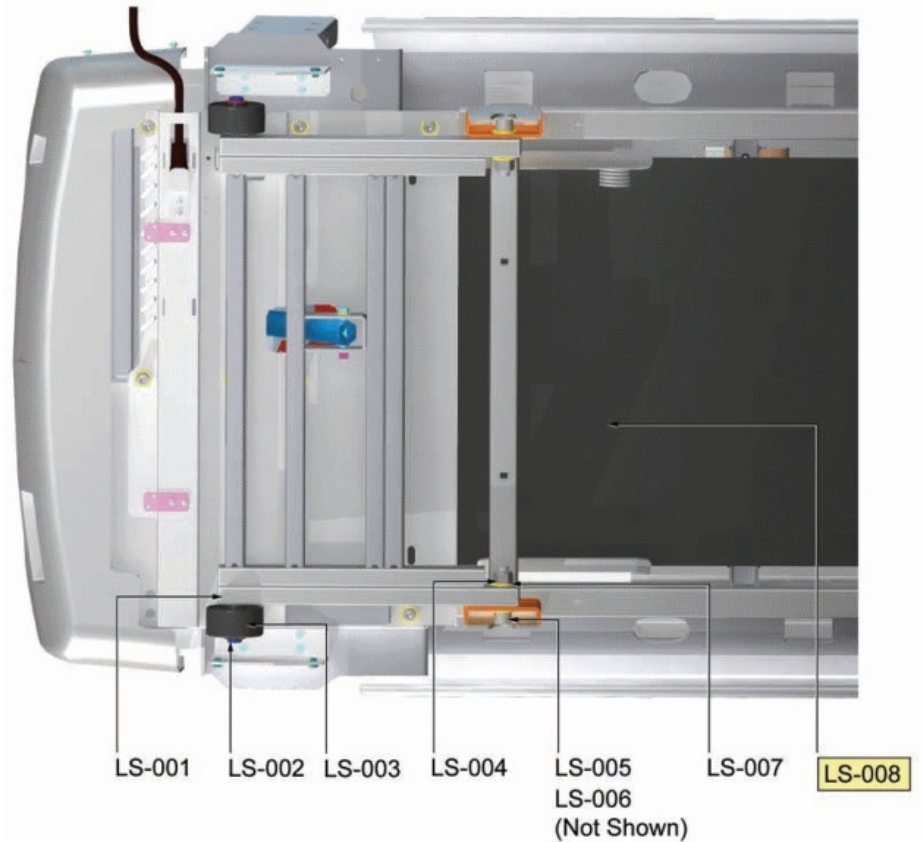
Ref #	Part Number	Qty	Description
DM-032	0K65-01134-0002	1	Left Front Motor Cover Bracket
DM-033,D			
M-035	0017-00101-1961	7	Hardware: Mounting Screw 16MM
DM-034	0K92-01077-0000	1	BRACKET; POWER BRICK
DM-034	0K65-01134-0001	1	Motor Cover Bracket
DM-036	0017-00042-1147	1	Hardware: Nylon Grommet

Heart Rate System - Ergo Bar Components



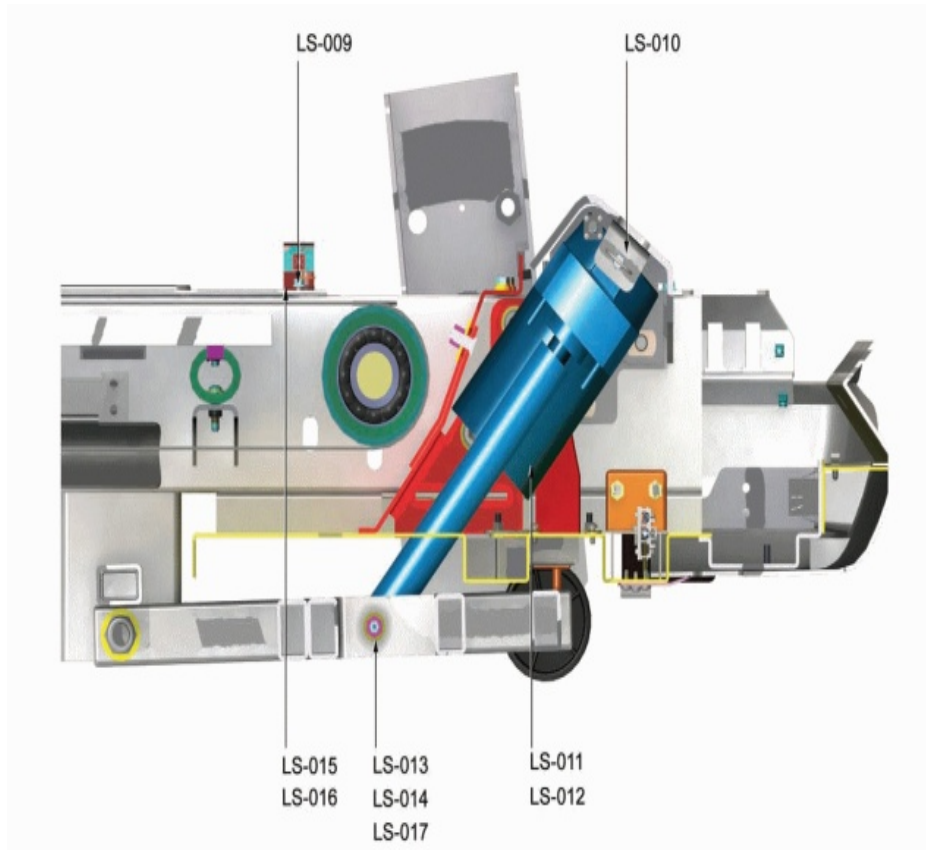
Ref #	Part Number	Qty	Description
HR-001	GK65-00002-0002	1	HR Sensor Kit
HR-002	0017-00101-1984	1	Hardware: Bridge Weldment Mounting Screw 30MM
HR-003	AK65-00129-0000	1	Bridge Weldment with AVK
HR-004	0K65-01204-0002	1	Inner Ergo Bar Gasket (Left)
HR-005	0K65-01204-0001	1	Inner Ergo Bar Gasket (Right)
HR-006	0017-00101-1954	4	Hardware: Mounting Screw 35MM
HR-007	0017-00104-0488	4	Hardware: Flat Washers 11.5 MM OD
HR-008	AK65-00014-0000	1	Ergo Bar Assembly
HR-009	0K65-01203-0001	1	Outer Ergo Bar Gasket (Right)
HR-010	0K65-01270-0000	2	GASKET: TOP SENSOR; PURCH
HR-011	0K65-01269-0000	2	GASKET: BOTTOM SENSOR; PURCH
HR-012	0K65-01203-0002	1	Outer Ergo Bar Gasket (Left)

Lift System - Lift Frame and Wheels



Ref #	Part Number	Qty	Description
LS-002	0017-00100-0249	2	Snap Ring
LS-003	0K65-01245-0000	2	Lift Wheels
LS-004	0017-00103-0285	2	Hardware: Nut 5/8" ID
LS-005	0017-00101-1777	2	Hardware: Lift Frame Mounting Bolt 2.75"
LS-006	0K58-01089-0000	2	Bronze Sleeve Bushings
LS-007	0017-00104-0259	4	Hardware: Washer 1.331" OD
LS-008	AK65-00137-0000	1	Painted Lift Frame Weldment

Lift System - Lift Motor and Hardware



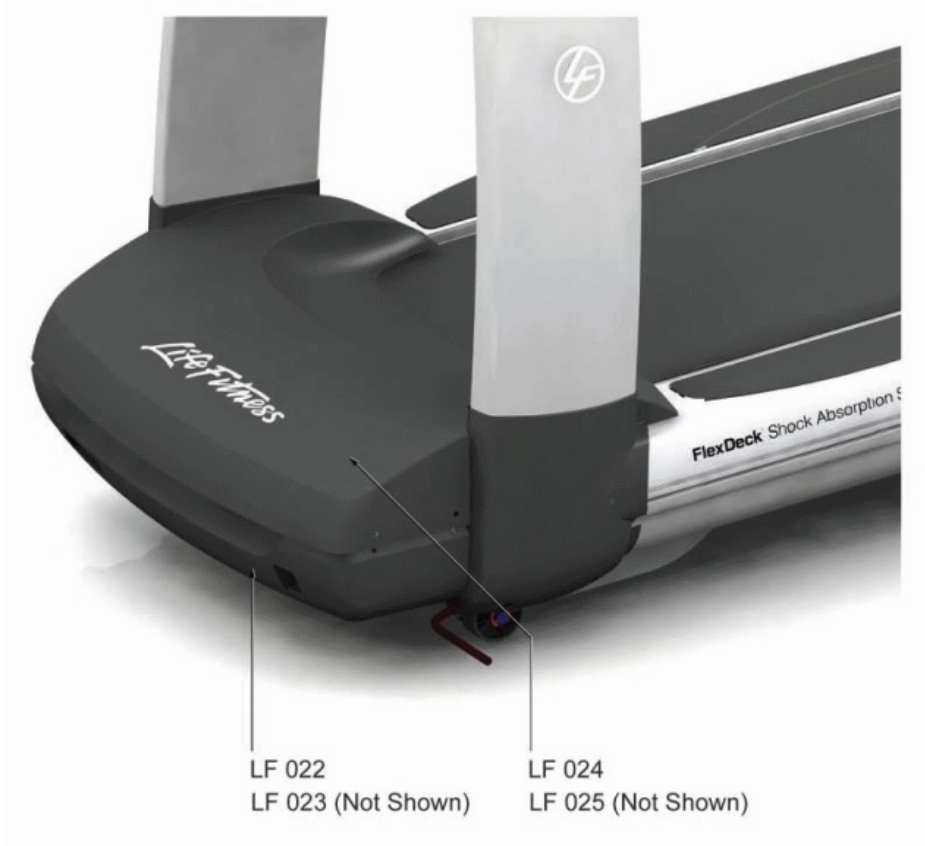
Ref #	Part Number	Qty	Description
LS-009	0017-00042-1147	1	Hardware: Nylon Grommet
LS-010	0017-00007-0275	1	Hardware: Ring Grip Pin
LS-012	0K65-01192-0001	1	Lift Actuator 115V
LS-013	0017-00101-2038	1	Hardware: Bolt 2"
LS-014	0017-00103-0027	1	Hardware: Locking Nut. 5/16" ID
LS-015	0K65-01135-0001	1	Rear Motor Cover Bracket Right
LS-016	0K65-01135-0002	1	Rear Motor Cover Bracket Left
LS-017	0017-00104-0043	2	Hardware: Flat Washer 0.734" OD

Lower Frame - Anti-slip Pad and Extrusions



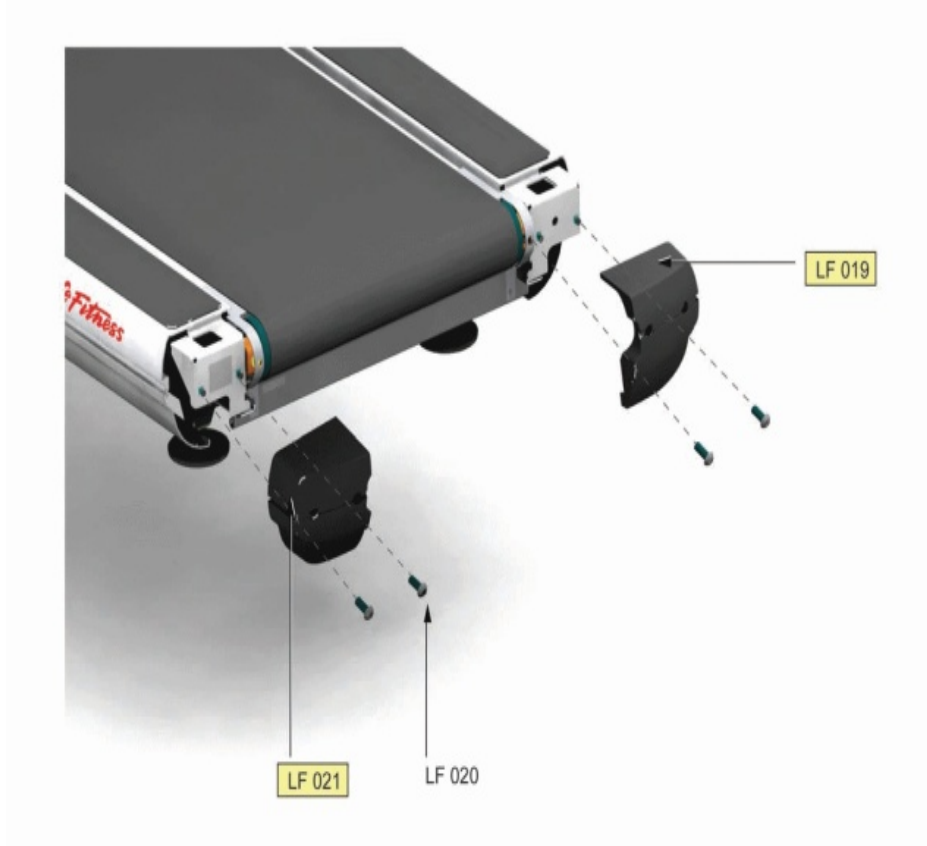
Ref #	Part Number	Qty	Description
LF-012	0K65-01190-0001	1	Right Anti-slip Pad
LF-013	0K65-01190-0002	1	Left Anti slip Pad
LF-014	GK65-00002-0003	1	Right Upper Extrusion/Anti-slip Pad Kit
LF-015	GK65-00002-0004	1	Left Upper Extrusion/Anti-slip Pad Kit
LF-016	AK65-00093-0003	1	RH Lower Frame Extrusion Assembly
LF-017	AK65-00093-0004	1	LH Lower Frame Extrusion Assembly
LF-018	0K65-01354-0000	1	SPACER: LOWER EXTRUSION

Lower Frame - Motor Pan Covers



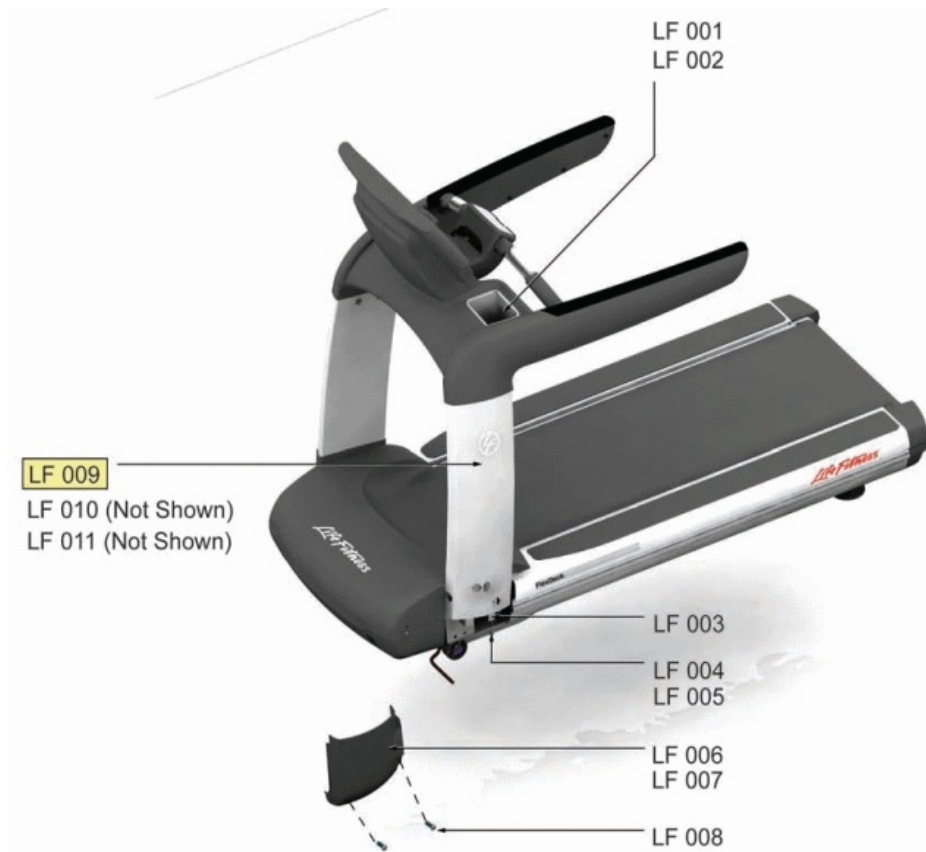
Ref #	Part Number	Qty	Description
LF-022	0K65-01126-0001	1	Bottom Motor Cover
LF-023,LF-025	0017-00101-1776	10	Hardware: Mounting Screw 0.5"
LF-024	0K65-01125-0000	1	Top Motor Cover

Lower Frame - Rear End Caps



Ref #	Part Number	Qty	Description
LF-019	GK65-00002-0023	1	Right Rear End Cap Kit
LF-020	0017-00101-1776	4	Hardware: Mounting Screw 0.5"
LF-021	GK65-00002-0022	1	Left Rear End Cap Kit

Lower Frame - Uprights and Covers

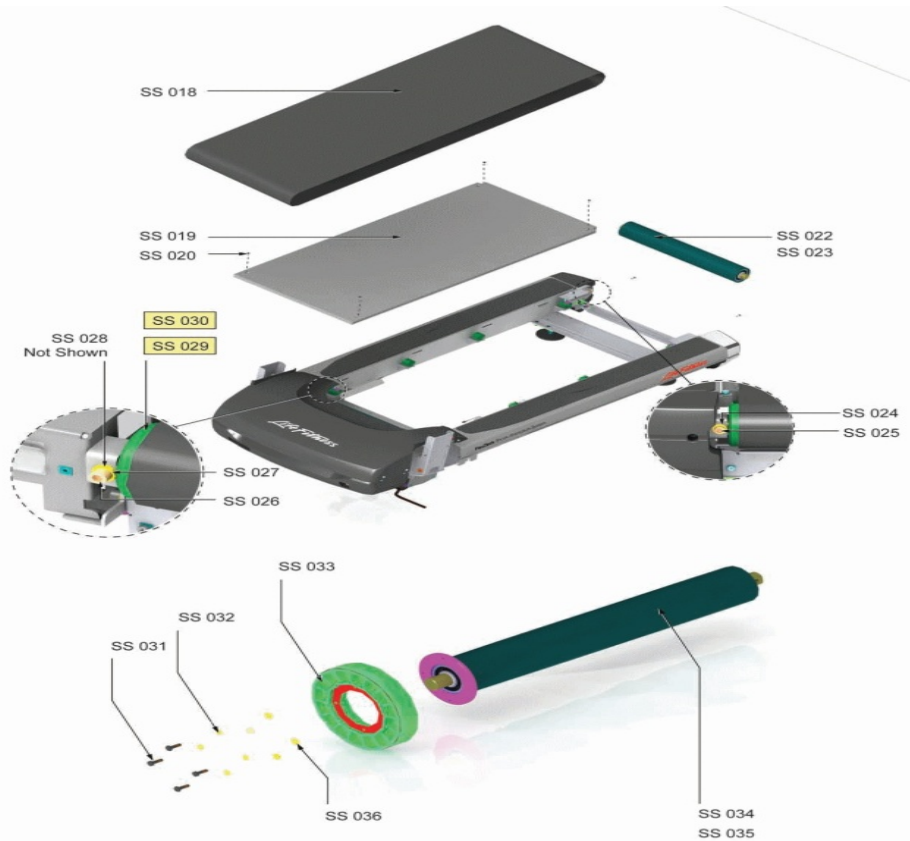


Ref #	Part Number	Qty	Description
LF-001	0K65-01174-0101	1	CUPHOLDER: RT ARC
LF-002	0K65-01174-0102	1	CUPHOLDER: LT ARC
LF-003	0017-00042-0326	4	Hardware: Plastic Grommet
LF-006	0K65-01127-0001	1	Right Upright Cover
LF-007	0K65-01127-0002	1	Left Upright Cover
LF-008	0017-00101-1776	4	Hardware: Mounting Screw 0.5"
LF-009	GK65-00002-0010	1	Right or Left Upright Assembly
LF-010	0017-00101-1984	6	Hardware: Bridge Weldment Mounting Screw 30MM
LF-011	0017-00104-0489	6	Hardware: Washer 20.75 MM OD

Miscellaneous

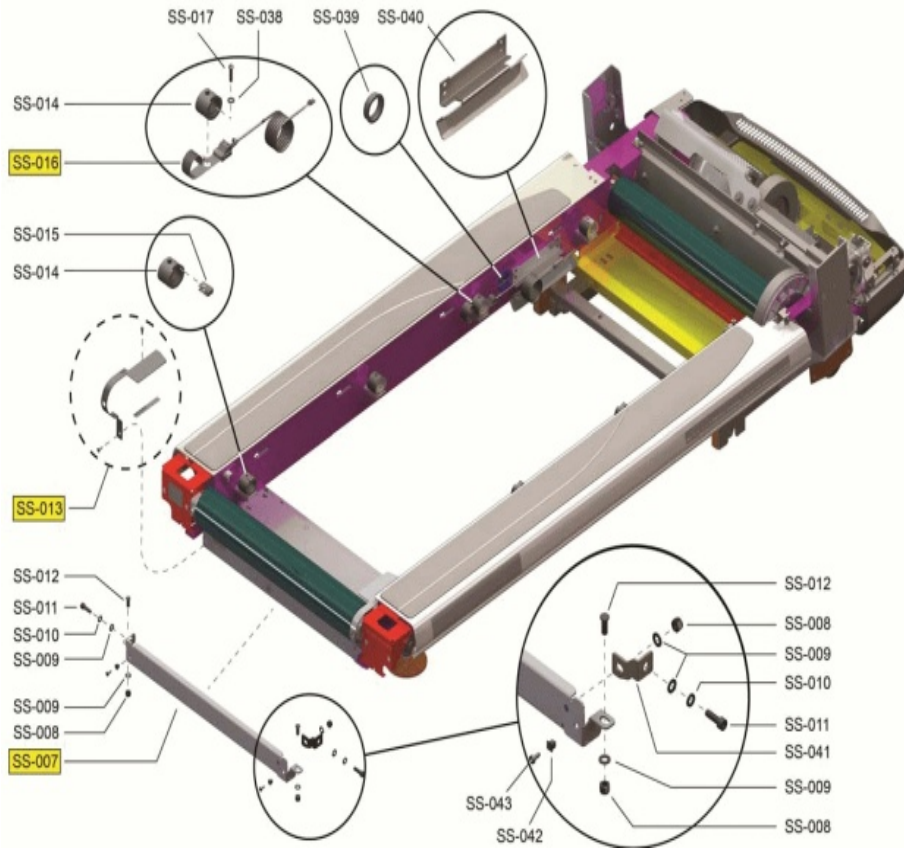
Ref #	Part Number	Qty	Description
-	0017-00008-0204	1	Paint Spray Can - Arctic Silver
-	0017-00104-0489	16	Hardware: Washer 20.75 MM OD
-	0017-00104-0488	19	Hardware: Flat Washers 11.5 MM OD
-	0017-00101-1776	8	Hardware: Mounting Screw 0.5"
-	0017-00101-2108	2	SCR: M5X0.80X14MM SEMS PHL PHMS ST BZ
-	0K65-01297-0000	1	Line Cord Bracket
-	0017-00003-0980	1	Line Cord: US Low Voltage 144"
-	0017-00101-1902	7	Hardware: Screw 20 MM
-	0017-00101-1995	4	Hardware: Console Mounting Screw 10MM
-	0017-00008-0206	1	.33oz Pen - Arctic Silver
-	0017-00101-1769	2	Hardware: Phillips Pan Screw 0.75"
-	0017-00101-1953	68	Hardware: Mounting Screw 14MM
-	0017-00101-1984	16	Hardware: Bridge Weldment Mounting Screw 30MM
-	0017-00101-1954	6	Hardware: Mounting Screw 35MM
-	0017-00008-0205	1	5 oz Bottle - Arctic Silver

Stride (Walking) System - Belt, Deck and Rollers



Ref #	Part Number	Qty	Description
SS-018	0K65-01002-0000	1	Striding Belt - 95T
SS-019	0K65-01263-0000	1	Deck
SS-020	0017-00101-1775	4	Hardware: Deck Screws 1.25"
SS-022	0K65-01199-0000	1	Rear Roller Domestic - 3.5" Diameter
SS-024	0017-00104-0492	2	Hardware: Flat Washer 750" OD
SS-025	0017-00101-1880	1	Hardware: Tension Bolts 3"
SS-026	0017-00101-0974	1	Hardware: Mounting Bolt 2"
SS-027	0017-00104-0043	1	Hardware: Flat Washer 0.734" OD
SS-028	0017-00104-0006	1	Hardware: Lock Washer 0.683" OD
SS-029	AK65-00067-0000	1	Front Roller Assembly Domestic
SS-031	0017-00101-1632	4	Hardware: Hex Bolt 0.875"
SS-032	0017-00104-0330	4	Hardware: Flat Washers 0.562" OD
SS-033	0K58-01105-0000	1	Drive Pulley Poly V - 8"
SS-034	0K65-01195-0000	1	Front Roller Domestic - 3.5" Diameter
SS-036	0017-00104-0005	4	Hardware: Lock Washer 0.489" OD

Stride (Walking) System - Deck Springs, Stride Sensor and Roller Guards



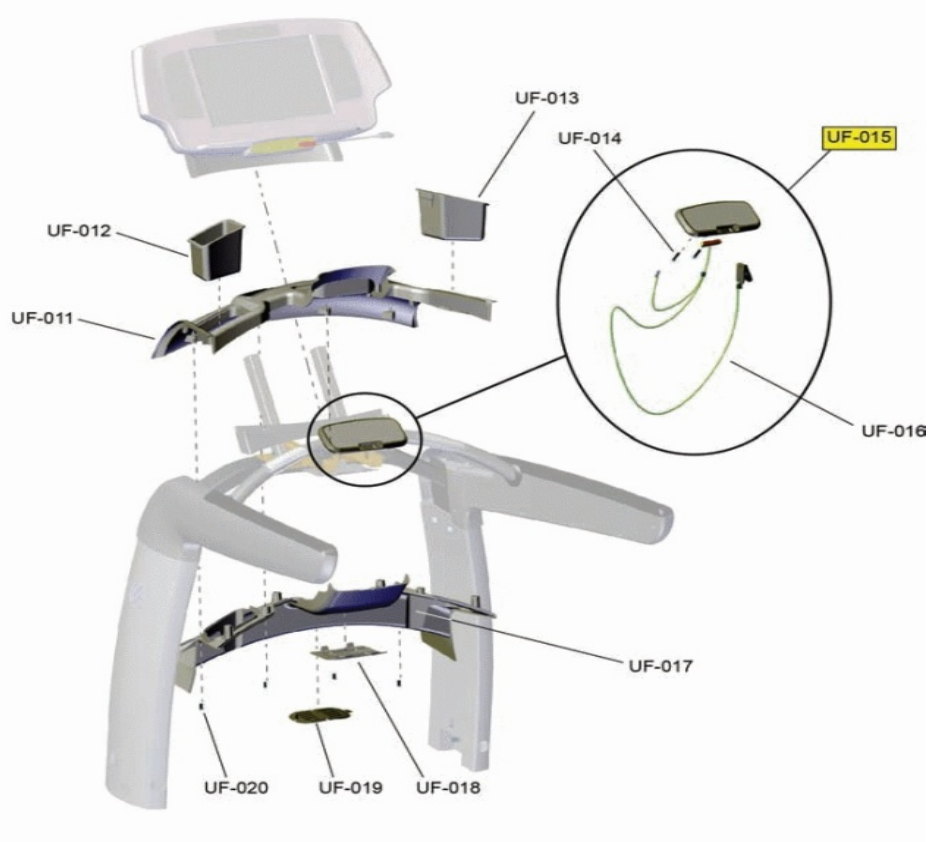
Ref #	Part Number	Qty	Description
SS-008	0017-00103-0333	3	Hardware: Hex Nut
SS-013	GK65-00002-0001	1	Roller Guard Kit
SS-014	0K40-01026-0002	8	Deck Spring
SS-015	0017-00103-0198	4	Hardware: Tinnerman Clip 1/4" ID
SS-016	AK58-00560-0000	1	Stride Sensor Assembly
SS-017	0017-00101-1652	8	Hardware: Spring Mounting Screw 1"
SS-038	0017-00104-0072	8	Hardware: Flat Washer 0.562" OD
SS-039	0017-00042-1180	1	Hardware: Snap Bushing - 1.75"

Stride (Walking) System - Leg Leveler Assembly



Ref #	Part Number	Qty	Description
SS-002	0017-00103-0333	4	Hardware: Hex Nut
SS-002	0017-00101-1945	4	Hardware: Bolt 20 MM
SS-003	0K58-01083-0000	1	Leveler Bracket
SS-004	0K58-01099-0000	1	Hardware: Stop Nut
SS-005	0K58-01110-0000	1	Leveler Foot
SS-006	0K58-01098-0000	1	Hardware: Pivot Pin

Upper Frame - Bridge Cover and Activity Zone



Ref #	Part Number	Qty	Description
UF-011	0K65-01051-0000	1	Top Bridge Cover
UF-014	0017-00101-1954	2	Hardware: Mounting Screw 35MM
UF-015	AK65-00015-0002	1	ASSEMBLY: ACTIVITY; APOLLO; MFG
UF-016	AK65-00037-0002	1	TETHER: STOP SWITCH & CLIP
UF-017	0K65-01052-0000	1	Bottom Bridge Cover
UF-018	0K65-01053-0000	1	Bezel Access Door
UF-019	0K65-01208-0000	1	Bridge Access Door
UF-020	0017-00101-1953	10	Hardware: Mounting Screw 14MM

Upper Frame - Handrail and Covers



Ref #	Part Number	Qty	Description
UF-001	0K65-01167-0001	1	Right Outer Handrail Cover
UF-002,UF-008	0017-00101-1953	2	Hardware: Mounting Screw 14MM
UF-003	AK65-00077-0001	1	Right Handrail Assembly
UF-004	0K65-01225-0000	1	Inner Handrail Plug
UF-006	0K65-01168-0001	1	Right Inner Handrail Cover
UF-007	0K65-01168-0002	1	Left Inner Handrail Cover
UF-009	AK65-00077-0002	1	Left Handrail Assembly
UF-010	0K65-01167-0002	1	Left Outer Handrail Cover

