

# Elevation Series - 95T Treadmill

95T-INTHX-03

## Parts Manual

1/5/2019 10:49:04 AM



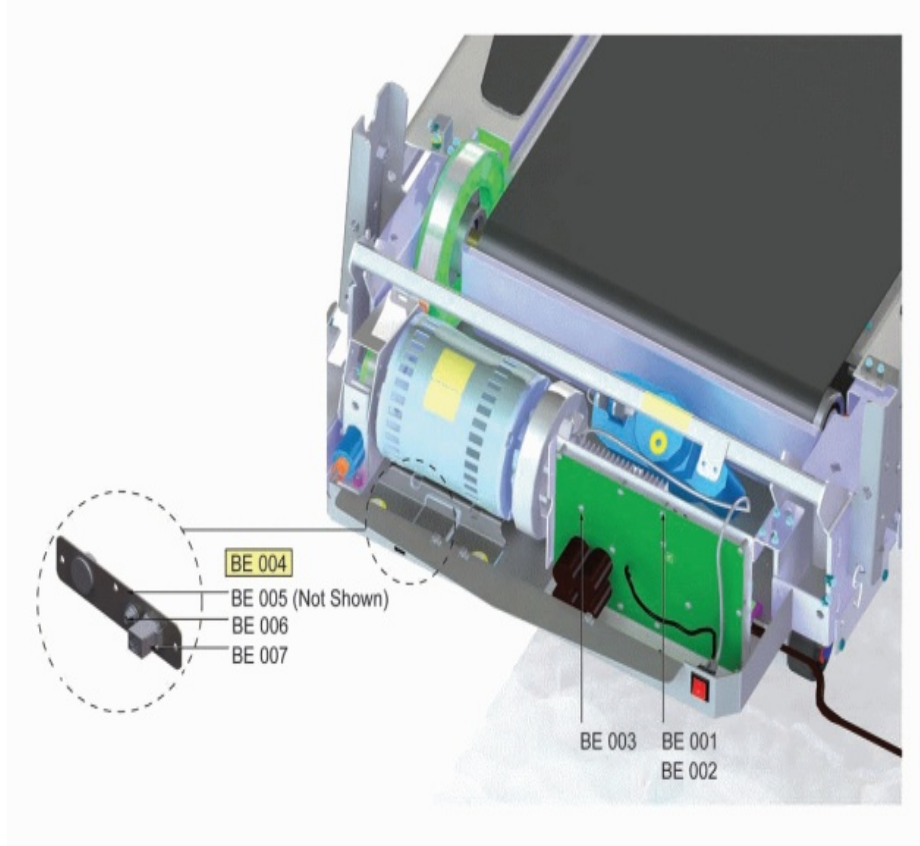
**LifeFitness**  
WHAT WE LIVE FOR

## Table of Contents

---

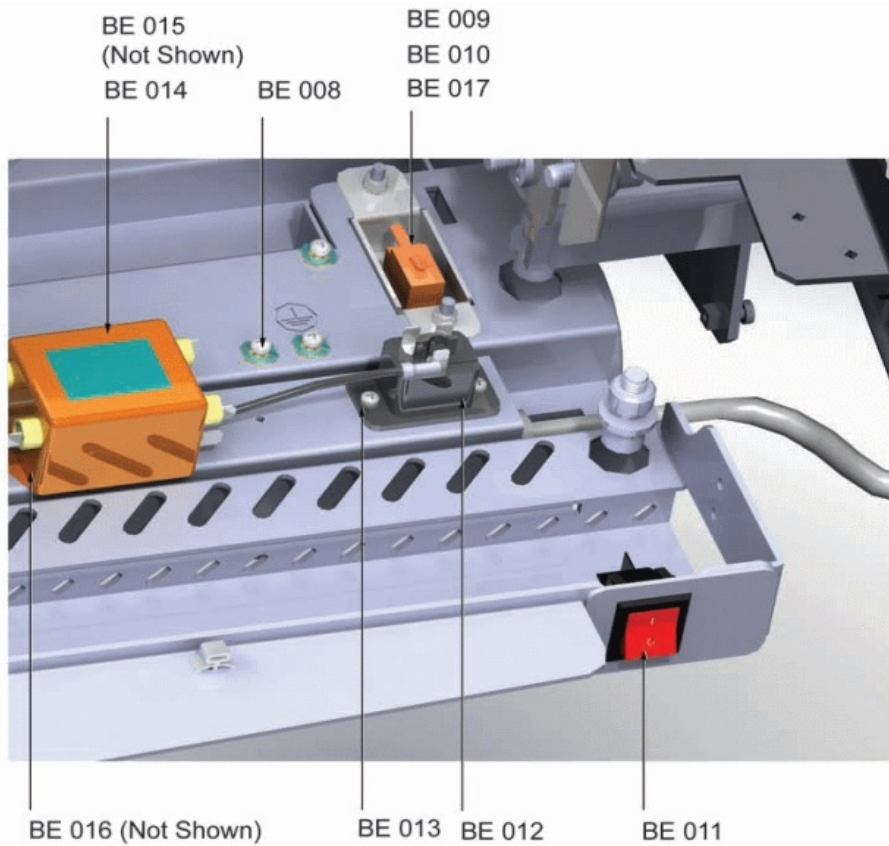
<a href="#">Base Frame Electronics - DSP Motor Controller.....</a>	<a href="#">3</a>
<a href="#">Base Frame Electronics - On-Off Switch, Home Switch, and Line Filter.....</a>	<a href="#">4</a>
<a href="#">Cables.....</a>	<a href="#">5</a>
<a href="#">Console Assembly - Console Brackets and Covers.....</a>	<a href="#">6</a>
<a href="#">Drive Motor - Drive Motor Assembly.....</a>	<a href="#">7</a>
<a href="#">Drive Motor - Idler Assembly and Drive Belt.....</a>	<a href="#">8</a>
<a href="#">Drive Motor - Motor Pan Brackets.....</a>	<a href="#">9</a>
<a href="#">Heart Rate System - Ergo Bar Components.....</a>	<a href="#">10</a>
<a href="#">Lift System - Lift Frame and Wheels.....</a>	<a href="#">11</a>
<a href="#">Lift System - Lift Motor and Hardware.....</a>	<a href="#">12</a>
<a href="#">Lower Frame - Anti-Slip Pad and Extrusions.....</a>	<a href="#">13</a>
<a href="#">Lower Frame - Motor Pan Covers.....</a>	<a href="#">14</a>
<a href="#">Lower Frame - Rear End Caps.....</a>	<a href="#">15</a>
<a href="#">Lower Frame - Uprights and Covers.....</a>	<a href="#">16</a>
<a href="#">Miscellaneous.....</a>	<a href="#">17</a>
<a href="#">Stride (Walking) System - Belt, Deck, and Rollers.....</a>	<a href="#">18</a>
<a href="#">Stride (Walking) System - Deck Springs, Stride Sensor and Roller Guards.....</a>	<a href="#">19</a>
<a href="#">Stride (Walking) System - Leg Leveler Assembly.....</a>	<a href="#">20</a>
<a href="#">Upper Frame - Bridge Cover and Activity Zone.....</a>	<a href="#">21</a>
<a href="#">Upper Frame - Handrail and Covers.....</a>	<a href="#">22</a>

## Base Frame Electronics - DSP Motor Controller



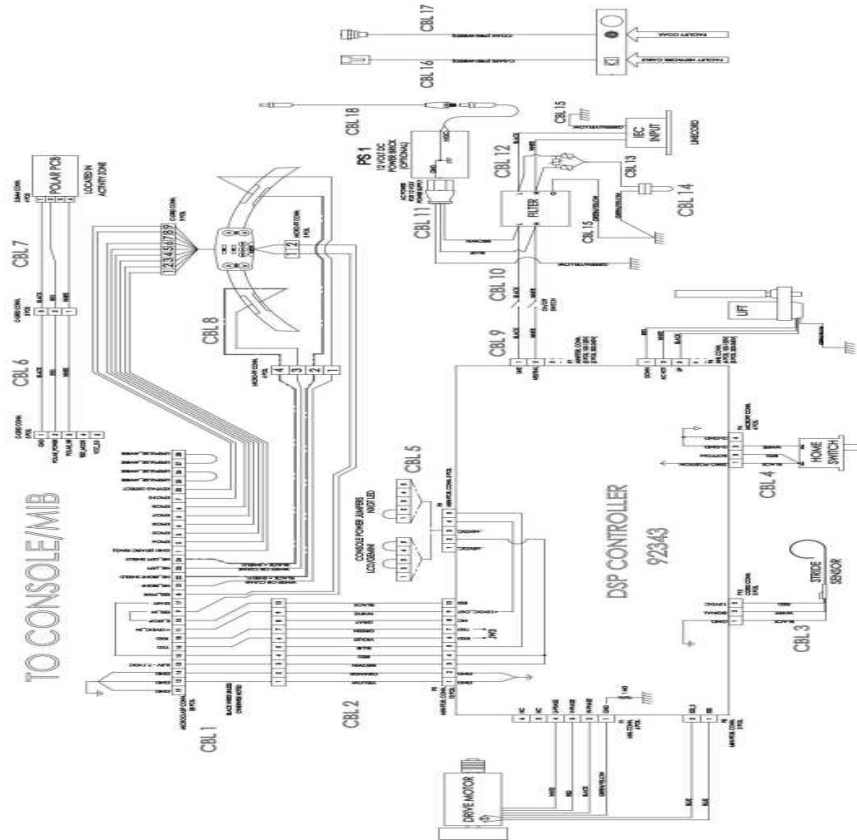
Ref #	Part Number	Qty	Description
BE-001	AK65-00071-0007	1	DSP Motor Controller with Cable(100-120V)
BE-002	AK75-00005-0001	1	Motor Controller: 230V
BE-003	0017-00103-0350	3	Hardware: Hex Nut 5 MM
BE-004	AK65-00082-0000	1	Comm Port Plate Assembly
BE-005	0017-00021-2810	1	F-Type Right Angle Adaptor
BE-006	0017-00021-2846	1	F-Type Panel Connector
BE-007	0017-00021-3195	1	COUPLER: CAT5E, SHIELDED, RJ45
BE-008	AK58-00523-0000	1	Cable: Jumper; Power; LCD Console

## Base Frame Electronics - On-Off Switch, Home Switch, and Line Filter



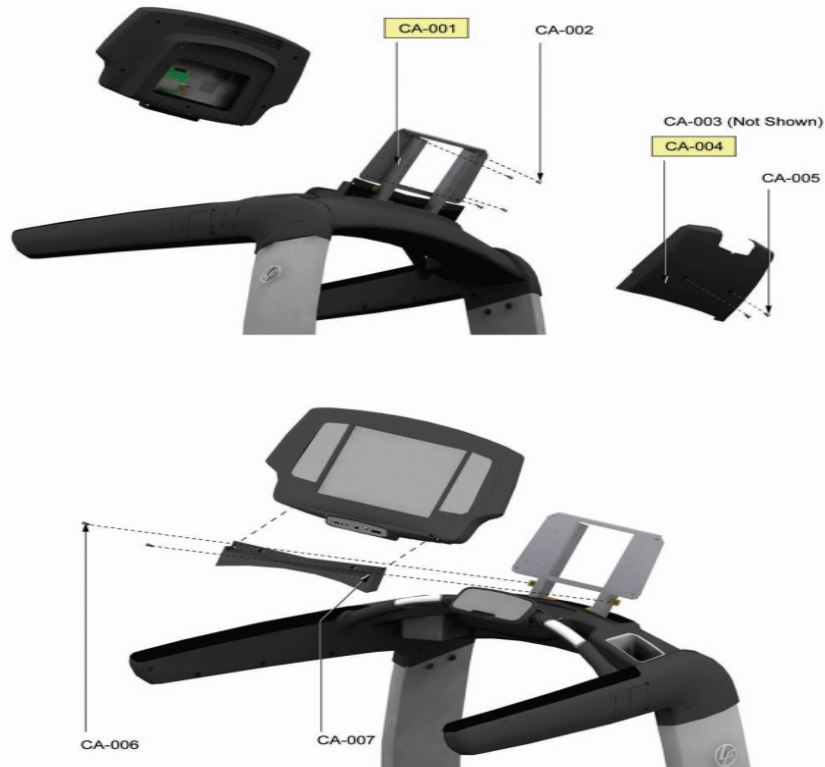
Ref #	Part Number	Qty	Description
BE-008, BE-016	0017-00101-1968	3	Hardware: Ground Screws 10MM
BE-008	0017-00101-0883	3	Hardware: Screw 0.375"
BE-009	0017-00032-0195	1	Home Switch
BE-011	0017-00032-0198	1	On/Off Switch 22A
BE-012	0017-00003-0949	1	IEC Receptacle
BE-013	0017-00101-1969	1	Hardware: IEC Receptacle Mounting Screw 10MM
BE-015	0017-00003-0898	1	10 amp Line Filter (INT)

# Cables



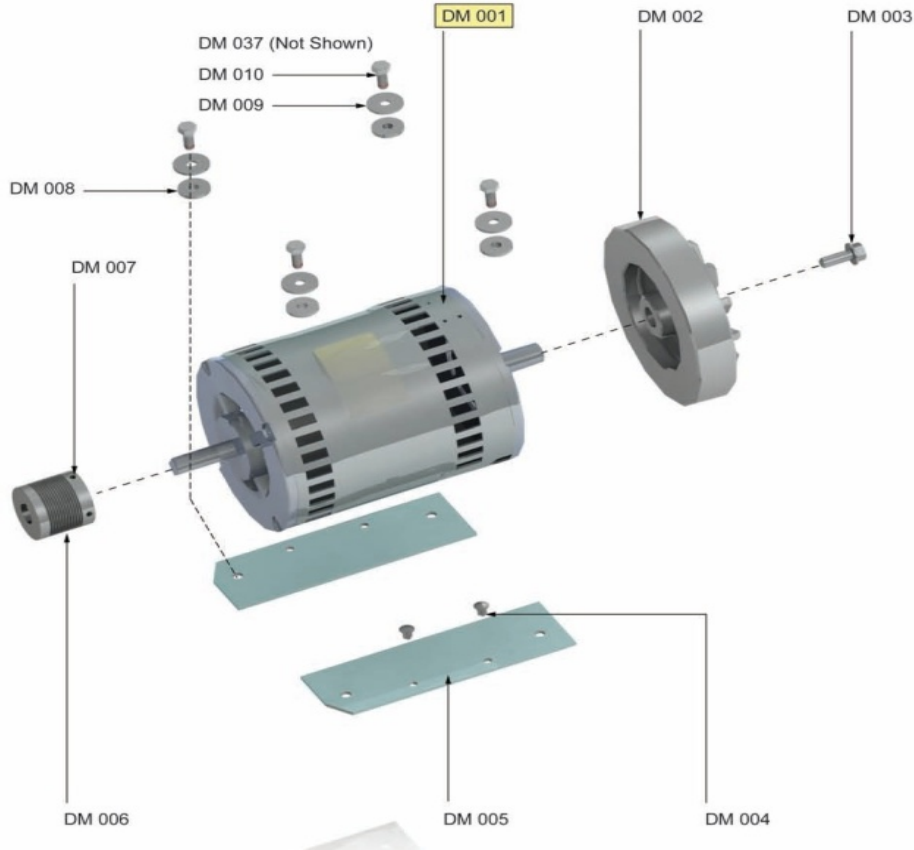
Ref #	Part Number	Qty	Description
PS 1	AK71-00020-0003	1	POWER SUPPLY (6.25A) W/LINE CORD 120VAC
CBL 1	AK65-00043-0001	1	Cable: Activity zone to MIB W/ Ferrite
CBL 2	AK58-00034-0001	1	Console Power Cable
CBL 3	AK58-00560-0000	1	Stride Sensor Assembly
CBL 4	AK65-00074-0000	1	Cable: Home Switch
CBL 5	AK58-00523-0000	1	Cable: Jumper; Power; LCD Console
CBL 5	AK58-00522-0000	1	Cable: Jumper; Power; LED Console
CBL 6	AK70-00037-0000	1	Cable: Uncoded Polar
CBL 7	AK65-00117-0000	1	Cable: Coded Polar To Tread MIB Extension
CBL 8	AK65-00047-0000	1	Cable: Lifepulse Ergobar
CBL 9	AK65-00073-0001	1	Cable: Power 230V DSP
CBL 10	AK65-00095-0001	1	Cable: Filter to Switch
CBL 11	AK65-00081-0000	1	Cable: AC Power for TV Brick
CBL 12	AK65-00094-0000	1	Cable: IEC To Filter
CBL 13	AK58-00224-0001	1	Cable: MOV; Fliter
CBL 14	AK58-00263-0000	1	Hi-Pot Jumper Cable
CBL 15	AK26-00348-0000	1	Cable: Jumper; Ground
CBL 16	AK65-00051-0001	1	C-safe Network Cable 65"
CBL 17	AK65-00062-0000	1	Cable: Coax RG6 Base
CBL 18	AK32-00160-0000	1	Ext Power Cable with Ferrite

## Console Assembly - Console Brackets and Covers



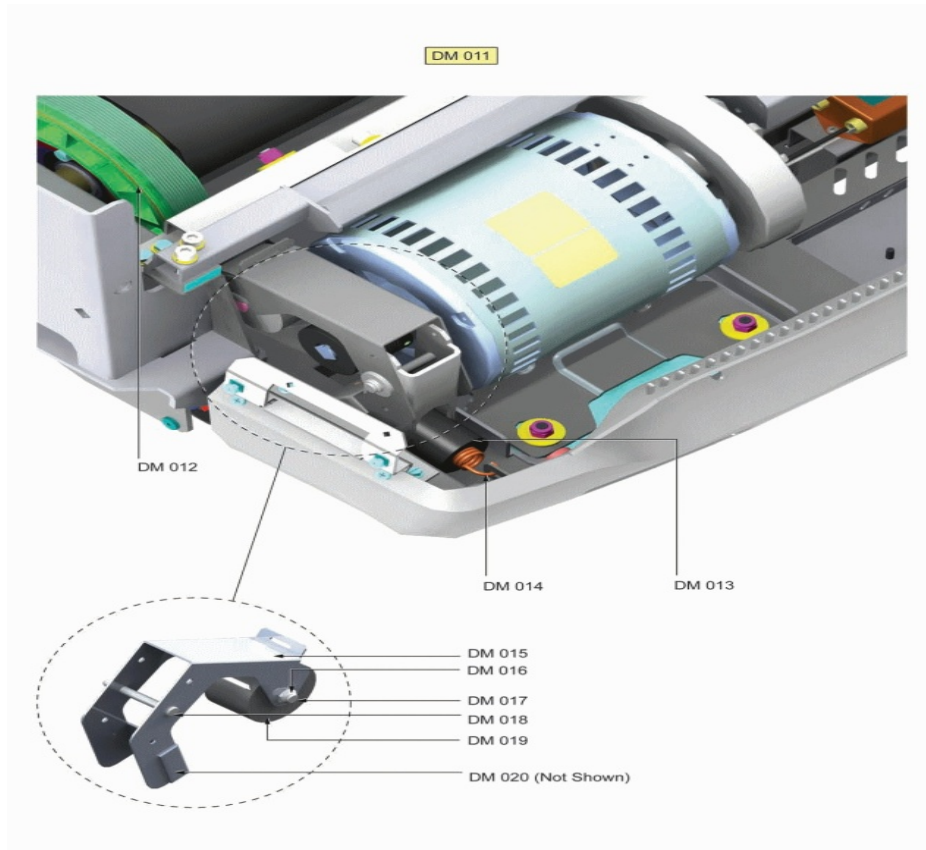
Ref #	Part Number	Qty	Description
CA-001	AK65-00130-0000	1	Console Bridge Weldment with AVK
CA-002	0017-00101-1995	4	Hardware: Console Mounting Screw 10MM
CA-003	0K65-01189-0000	1	LCD Access Cover
CA-004	AK65-00090-0000	1	Rear Console Cover w/Decal
CA-005,CA-006	0017-00101-1953	3	Hardware: Mounting Screw 14MM
CA-007	0K65-01188-0000	1	Console Neck Spacer

## Drive Motor - Drive Motor Assembly



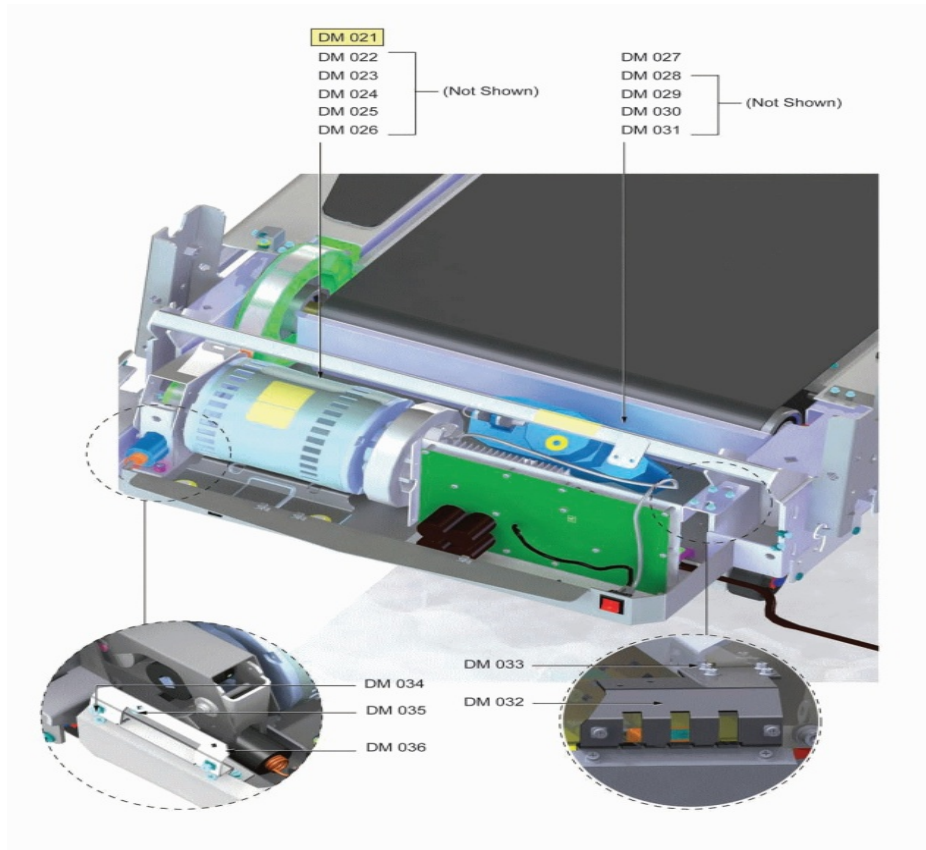
Ref #	Part Number	Qty	Description
DM-001	0K58-01386-0004	1	MOTOR: MAIN DRIVE, 230V/50HZ, W/TAPER
DM-002	0K65-01221-0000	1	Flywheel with Fan
DM-003	0017-00101-1885	1	Hardware: Hex Bolt 1"
DM-004	0017-00042-1212	4	Clip
DM-005	0K58-01256-0001	1	Insulating Pad
DM-006	0K58-01057-0001	1	Drive Pulley - 1.971"
DM-007	0017-00101-0333	1	Hardware: Screw 0.3125"
DM-008	0K58-01255-0000	4	Hardware: Insulating Washers
DM-009	0017-00104-0409	4	Hardware: Washer 1.125" OD
DM-010	0017-00101-1945	4	Hardware: Bolt 20 MM

## Drive Motor - Idler Assembly and Drive Belt



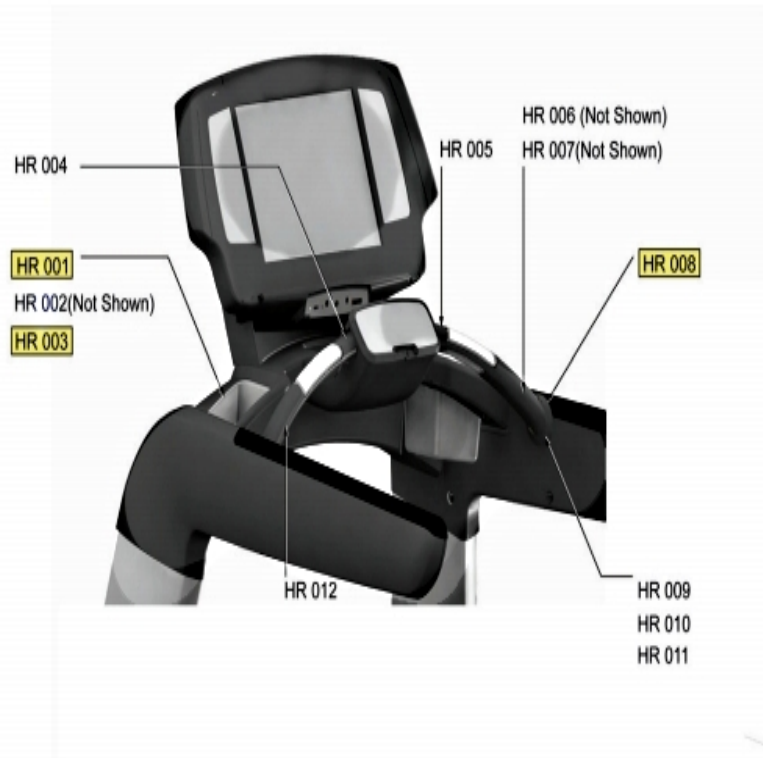
Ref #	Part Number	Qty	Description
DM-011	AK65-00029-0000	1	Idler Assembly
DM-012	0K58-01114-0000	1	Poly-V Drive Belt - 370J12
DM-013	0K26-02055-0000	1	Spring Damper
DM-014	0K58-01085-0000	1	Extension Spring
DM-015	0K65-01113-0000	1	Idler Bracket
DM-016	0017-00103-0324	1	Hardware: Thin Lock Nut 3/8" ID
DM-017	0K58-01084-0002	1	Threaded Shaft
DM-018	0017-00007-0248	1	Hardware: Locking Pin .31" D 2.125" L
DM-019	0K26-01731-0000	1	Plastic Idler 2 5/8" OD
DM-020	0017-00103-0333	4	Hardware: Hex Nut

## Drive Motor - Motor Pan Brackets



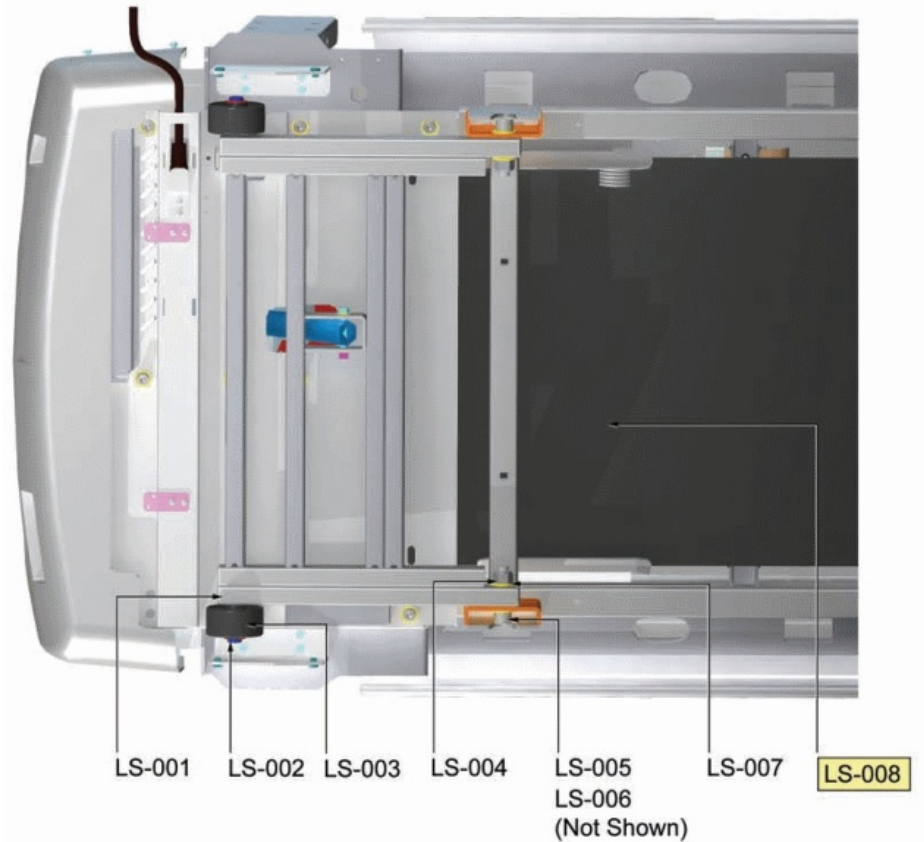
Ref #	Part Number	Qty	Description
DM-033,D M-035	0017-00101-1961	7	Hardware: Mounting Screw 16MM
DM-034	0K65-01134-0001	1	Motor Cover Bracket
DM-036	0017-00042-1147	1	Hardware: Nylon Grommet

## Heart Rate System - Ergo Bar Components



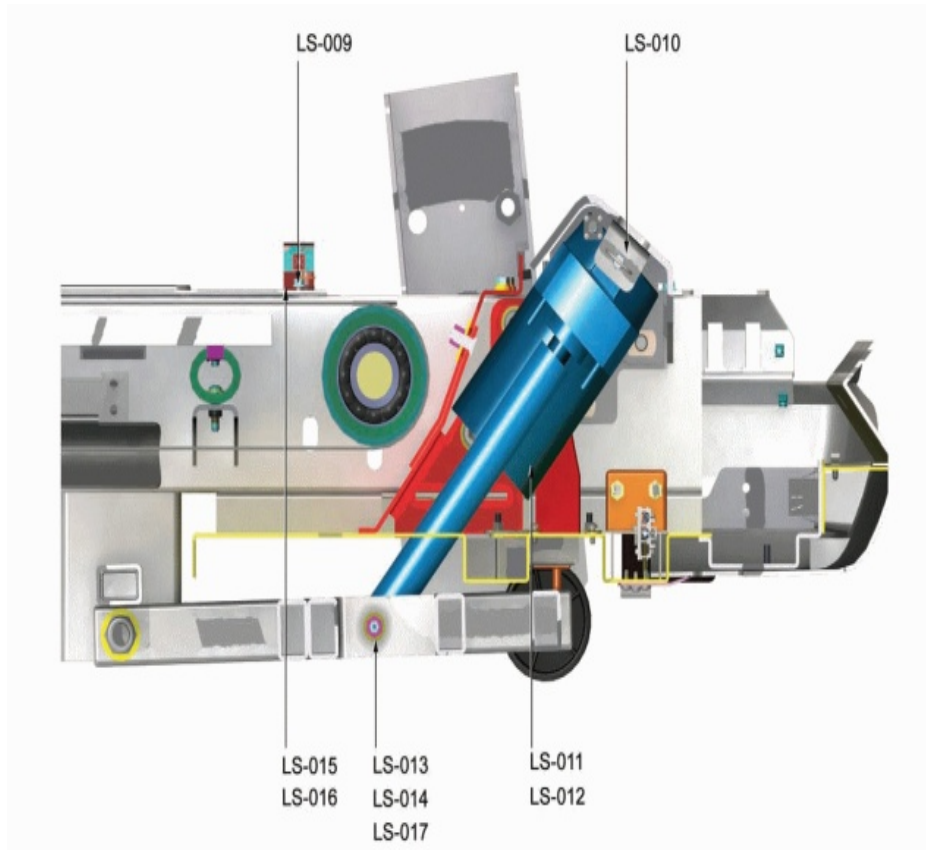
Ref #	Part Number	Qty	Description
HR-001	GK65-00002-0002	1	HR Sensor Kit
HR-002	0017-00101-1984	1	Hardware: Bridge Weldment Mounting Screw 30MM
HR-003	AK65-00129-0000	1	Bridge Weldment with AVK
HR-004	0K65-01204-0002	1	Inner Ergo Bar Gasket (Left)
HR-005	0K65-01204-0001	1	Inner Ergo Bar Gasket (Right)
HR-006	0017-00101-1954	4	Hardware: Mounting Screw 35MM
HR-007	0017-00104-0488	4	Hardware: Flat Washers 11.5 MM OD
HR-008	AK65-00014-0000	1	Ergo Bar Assembly
HR-009	0K65-01203-0001	1	Outer Ergo Bar Gasket (Right)
HR-010	0K65-01133-0001	1	Heart Rate Electrodes Gasket (Front)
HR-011	0K65-01133-0002	1	Heart Rate Electrodes Gasket (Back)
HR-012	0K65-01203-0002	1	Outer Ergo Bar Gasket (Left)

## Lift System - Lift Frame and Wheels



Ref #	Part Number	Qty	Description
LS-002	0017-00100-0249	1	Snap Ring
LS-003	0K65-01245-0000	2	Lift Wheels
LS-004	0017-00103-0285	2	Hardware: Nut 5/8" ID
LS-005	0017-00101-1777	2	Hardware: Lift Frame Mounting Bolt 2.75"
LS-006	0K58-01089-0000	2	Bronze Sleeve Bushings
LS-007	0017-00104-0259	4	Hardware: Washer 1.331" OD
LS-008	AK65-00137-0000	1	Painted Lift Frame Weldment

## Lift System - Lift Motor and Hardware



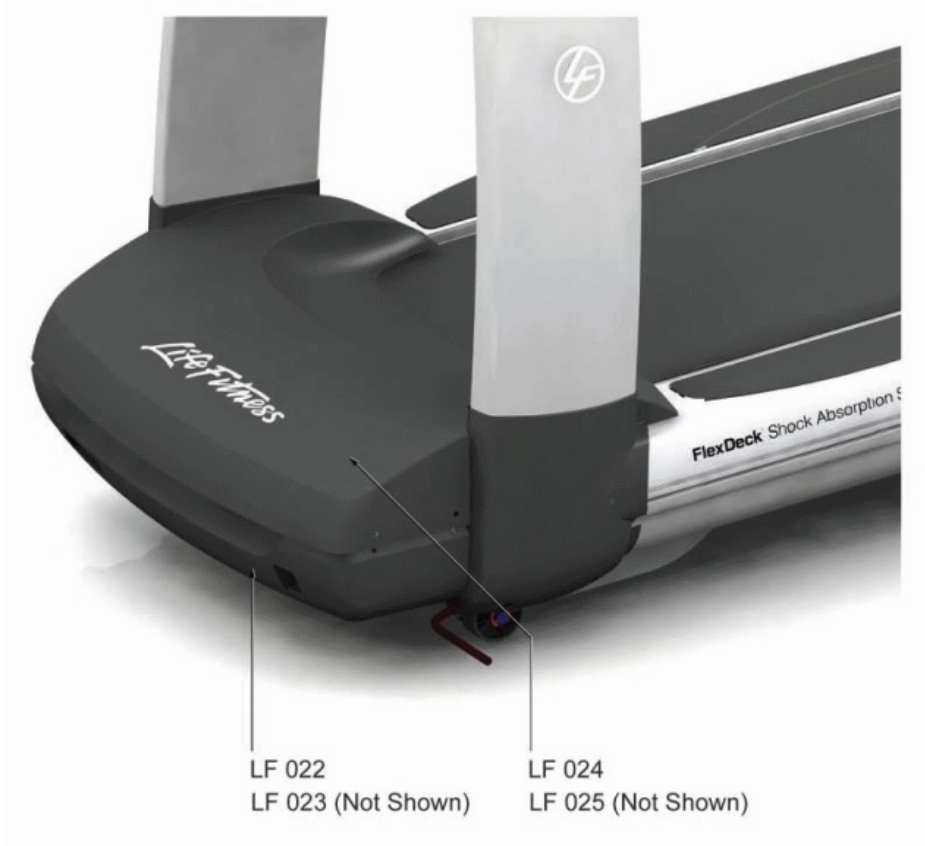
Ref #	Part Number	Qty	Description
LS-009	0017-00042-1147	1	Hardware: Nylon Grommet
LS-010	0017-00007-0275	1	Hardware: Ring Grip Pin
LS-012	0K65-01192-0002	1	Actuator: Linear 230 VAC NOM.
LS-013	0017-00101-2038	1	Hardware: Bolt 2"
LS-014	0017-00103-0027	1	Hardware: Locking Nut. 5/16" ID
LS-015	0K65-01135-0001	1	Rear Motor Cover Bracket Right
LS-016	0K65-01135-0002	1	Rear Motor Cover Bracket Left
LS-017	0017-00104-0043	2	Hardware: Flat Washer 0.734" OD

## Lower Frame - Anti-Slip Pad and Extrusions



Ref #	Part Number	Qty	Description
LF-012	0K65-01190-0001	1	Right Anti-slip Pad
LF-013	0K65-01190-0002	1	Left Anti slip Pad
LF-014	GK65-00002-0003	1	Right Upper Extrusion/Anti-slip Pad Kit
LF-015	GK65-00002-0004	1	Left Upper Extrusion/Anti-slip Pad Kit
LF-016	AK65-00093-0003	1	RH Lower Frame Extrusion Assembly
LF-017	AK65-00093-0004	1	LH Lower Frame Extrusion Assembly
LF-018	0K65-01354-0000	1	SPACER: LOWER EXTRUSION

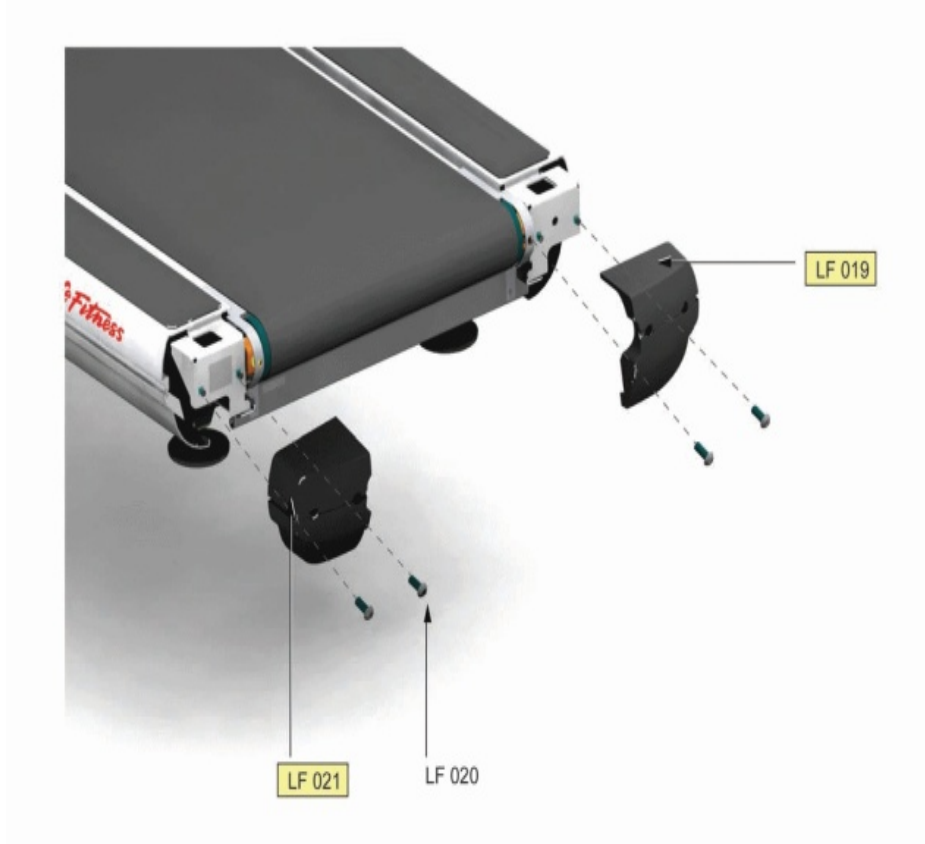
## Lower Frame - Motor Pan Covers



Ref #	Part Number	Qty	Description
LF-022	0K65-01126-0001	1	Bottom Motor Cover
LF-023,LF-025	0017-00101-1776	10	Hardware: Mounting Screw 0.5"
LF-024	0K65-01125-0000	1	Top Motor Cover

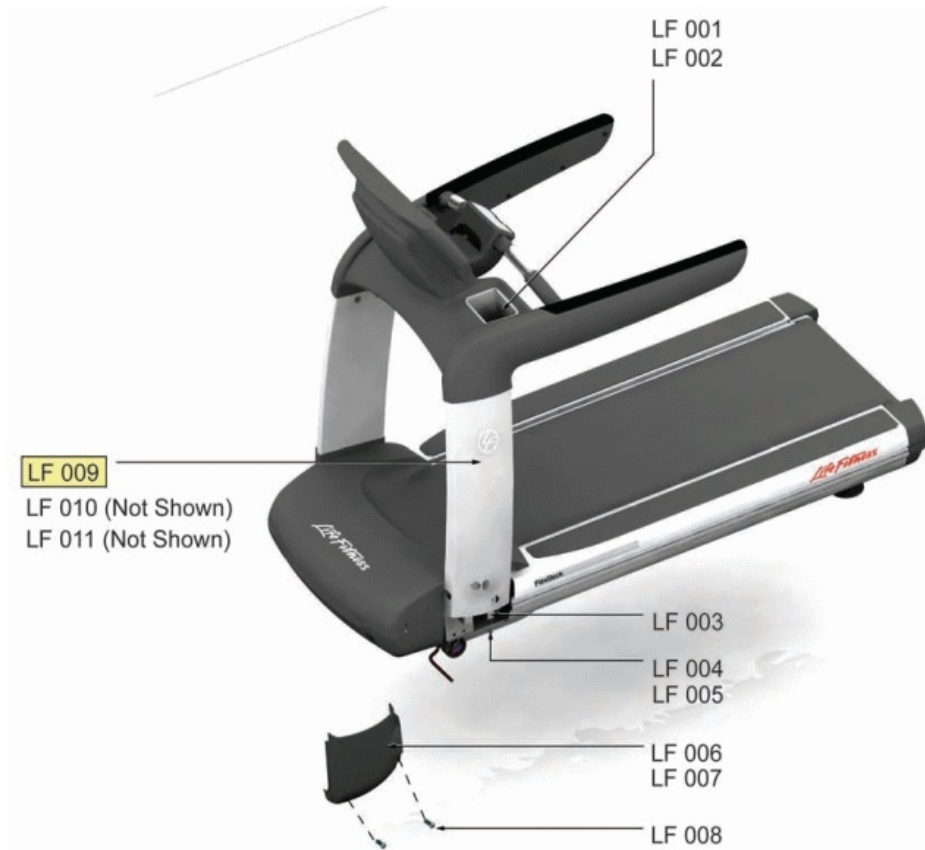
## Lower Frame - Rear End Caps

---



Ref #	Part Number	Qty	Description
LF-019	GK65-00002-0023	1	Right Rear End Cap Kit
LF-020	0017-00101-1776	4	Hardware: Mounting Screw 0.5"
LF-021	GK65-00002-0022	1	Left Rear End Cap Kit

## Lower Frame - Uprights and Covers



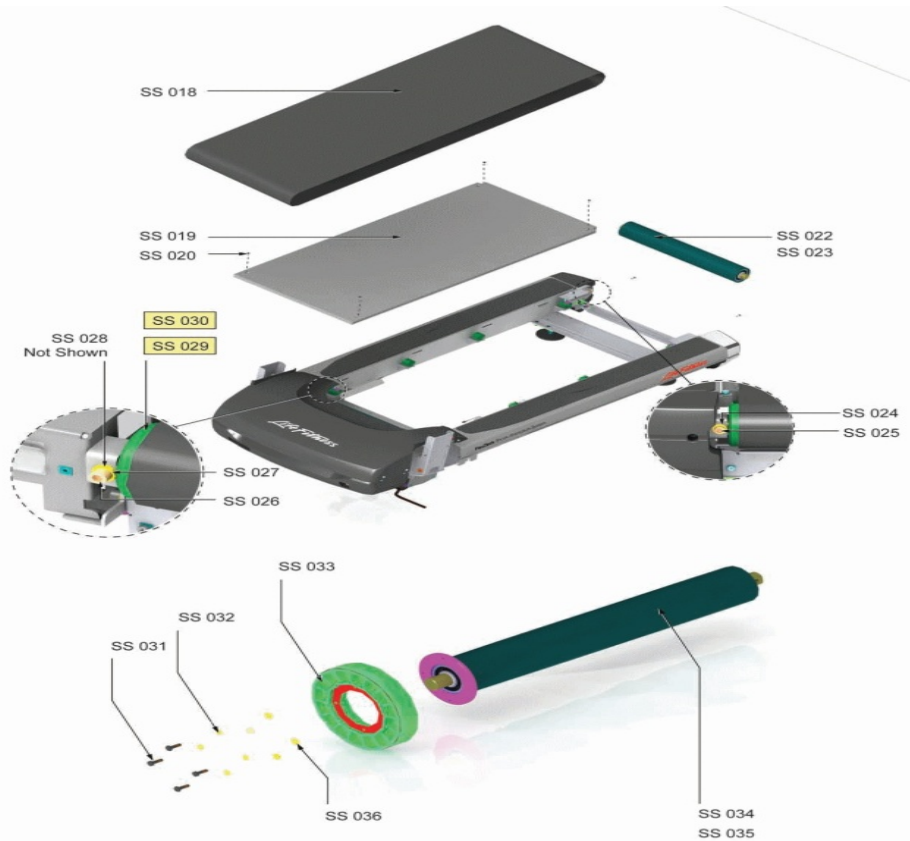
Ref #	Part Number	Qty	Description
LF-001	0K65-01174-0101	1	CUPHOLDER: RT ARC
LF-002	0K65-01174-0102	1	CUPHOLDER: LT ARC
LF-003	0017-00042-0326	1	Hardware: Plastic Grommet
LF-006	0K65-01127-0001	1	Right Upright Cover
LF-007	0K65-01127-0002	1	Left Upright Cover
LF-008	0017-00101-1776	4	Hardware: Mounting Screw 0.5"
LF-009	GK65-00002-0010	1	Right or Left Upright Assembly
LF-010	0017-00101-1984	6	Hardware: Bridge Weldment Mounting Screw 30MM
LF-011	0017-00104-0489	6	Hardware: Washer 20.75 MM OD

**Miscellaneous**

---

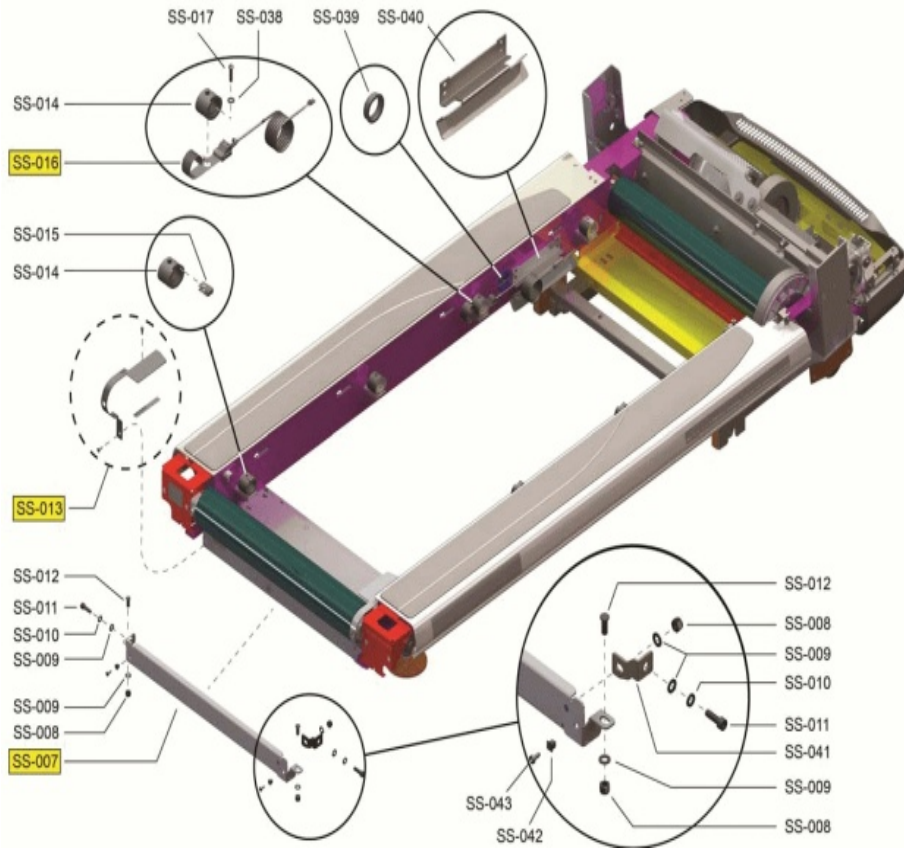
Ref #	Part Number	Qty	Description
MISC-001	M051-00K65-A001	1	Operation Manual
MISC-002	AK65-00120-0002	1	Hardware: 95T; New Bridge Assembly
MISC-004	0017-00021-2740	1	CSAFE Splitter
MISC-005	0017-00101-1769	2	Hardware: Phillips Pan Screw 0.75"
MISC-006	0017-00101-1902	7	Hardware: Screw 20 MM
MISC-007	0017-00101-1954	6	Hardware: Mounting Screw 35MM
MISC-008	0017-00101-1984	16	Hardware: Bridge Weldment Mounting Screw 30MM
MISC-009	0017-00101-1953	68	Hardware: Mounting Screw 14MM
MISC-010	0017-00101-1776	8	Hardware: Mounting Screw 0.5"
MISC-011	0017-00101-1995	4	Hardware: Console Mounting Screw 10MM
MISC-012	0017-00104-0488	19	Hardware: Flat Washers 11.5 MM OD
MISC-013	0017-00104-0489	16	Hardware: Washer 20.75 MM OD
MISC-014	0017-00008-0204	1	Paint Spray Can - Arctic Silver
MISC-015	0017-00008-0205	1	5 oz Bottle - Arctic Silver
MISC-016	0017-00008-0206	1	.33oz Pen - Arctic Silver
MISC-019	0017-00003-0696	1	Line Cord: International High Voltage (Cont.) 103"
MISC-020	0017-00003-0890	1	Line Cord: UK
MISC-021	0017-00003-0996	1	Line Cord: Australia 230/50
MISC-022	0017-00003-1014	1	Line Cord China 10A 250 V
MISC-024	0K65-01297-0000	1	Line Cord Bracket
MISC-025	0017-00101-1968	1	Hardware: Ground Screws 10MM

## Stride (Walking) System - Belt, Deck, and Rollers



Ref #	Part Number	Qty	Description
SS-018	0K65-01002-0000	1	Striding Belt - 95T
SS-018	0K65-01267-0000	1	Striding Belt - 95T IFI
SS-019	0K65-01263-0000	1	Deck
SS-020	0017-00101-1775	1	Hardware: Deck Screws 1.25"
SS-022	0K65-01199-0000	1	Rear Roller Domestic - 3.5" Diameter
SS-023	0K65-01199-0001	1	Rear Roller International - 3.5" Diameter
SS-024	0017-00104-0492	2	Hardware: Flat Washer 750" OD
SS-025	0017-00101-1880	1	Hardware: Tension Bolts 3"
SS-026	0017-00101-0974	1	Hardware: Mounting Bolt 2"
SS-027	0017-00104-0043	1	Hardware: Flat Washer 0.734" OD
SS-028	0017-00104-0006	1	Hardware: Lock Washer 0.683" OD
SS-029	AK65-00067-0000	1	Front Roller Assembly Domestic
SS-030	AK65-00067-0001	1	Front Roller Assembly International
SS-031	0017-00101-1632	4	Hardware: Hex Bolt 0.875"
SS-032	0017-00104-0330	4	Hardware: Flat Washers 0.562" OD
SS-033	0K58-01105-0000	1	Drive Pulley Poly V - 8"
SS-034	0K65-01195-0000	1	Front Roller Domestic - 3.5" Diameter
SS-035	0K65-01195-0001	1	Front Roller International - 3.5" Diameter
SS-036	0017-00104-0005	4	Hardware: Lock Washer 0.489" OD

## Stride (Walking) System - Deck Springs, Stride Sensor and Roller Guards



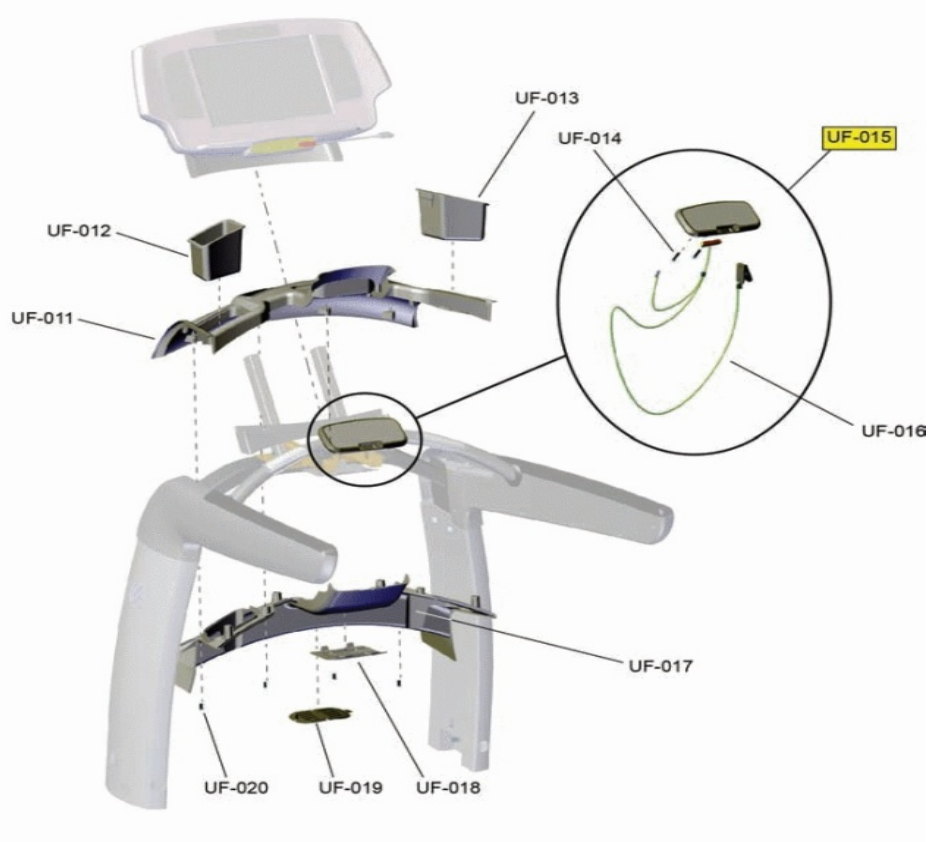
Ref #	Part Number	Qty	Description
SS-008	0017-00103-0333	3	Hardware: Hex Nut
SS-009	0017-00104-0469	5	Hardware: Flat Washer 16MM OD
SS-014	0K40-01026-0002	8	Deck Spring
SS-016	AK58-00560-0000	1	Stride Sensor Assembly
SS-017	0017-00101-1652	8	Hardware: Spring Mounting Screw 1"
SS-038	0017-00104-0072	8	Hardware: Flat Washer 0.562" OD
SS-039	0017-00042-1180	1	Hardware: Snap Bushing - 1.75"

## Stride (Walking) System - Leg Leveler Assembly



Ref #	Part Number	Qty	Description
SS-002	0017-00101-1945	4	Hardware: Bolt 20 MM
SS-002	0017-00103-0333	4	Hardware: Hex Nut
SS-003	0K58-01083-0000	1	Leveler Bracket
SS-004	0K58-01099-0000	1	Hardware: Stop Nut
SS-005	0K58-01110-0000	1	Leveler Foot
SS-006	0K58-01098-0000	1	Hardware: Pivot Pin
SS-037	0017-00104-0469	4	Hardware: Flat Washer 16MM OD

## Upper Frame - Bridge Cover and Activity Zone



Ref #	Part Number	Qty	Description
UF-011	0K65-01051-0000	1	Top Bridge Cover
UF-012	0K65-01174-0102	1	CUPHOLDER: LT ARC
UF-013	0K65-01174-0101	1	CUPHOLDER: RT ARC
UF-014	0017-00101-1954	2	Hardware: Mounting Screw 35MM
UF-015	AK65-00015-0000	1	Activity Zone Assembly
UF-016	AK65-00037-0002	1	TETHER: STOP SWITCH & CLIP
UF-017	0K65-01052-0000	1	Bottom Bridge Cover
UF-018	0K65-01053-0000	1	Bezel Access Door
UF-019	0K65-01208-0000	1	Bridge Access Door
UF-020	0017-00101-1953	10	Hardware: Mounting Screw 14MM

## Upper Frame - Handrail and Covers



Ref #	Part Number	Qty	Description
UF-001	0K65-01167-0001	1	Right Outer Handrail Cover
UF-002,UF-008	0017-00101-1953	2	Hardware: Mounting Screw 14MM
UF-003	AK65-00077-0001	1	Right Handrail Assembly
UF-004,UF-005	0K65-01225-0000	2	Inner Handrail Plug
UF-006	0K65-01168-0001	1	Right Inner Handrail Cover
UF-007	0K65-01168-0002	1	Left Inner Handrail Cover
UF-009	AK65-00077-0002	1	Left Handrail Assembly
UF-010	0K65-01167-0002	1	Left Outer Handrail Cover

