

95Te Treadmill w/Integrated LCD- 4HP AC - Heart Rate

95TE-0100-07

Parts Manual

1/5/2019 10:50:29 AM

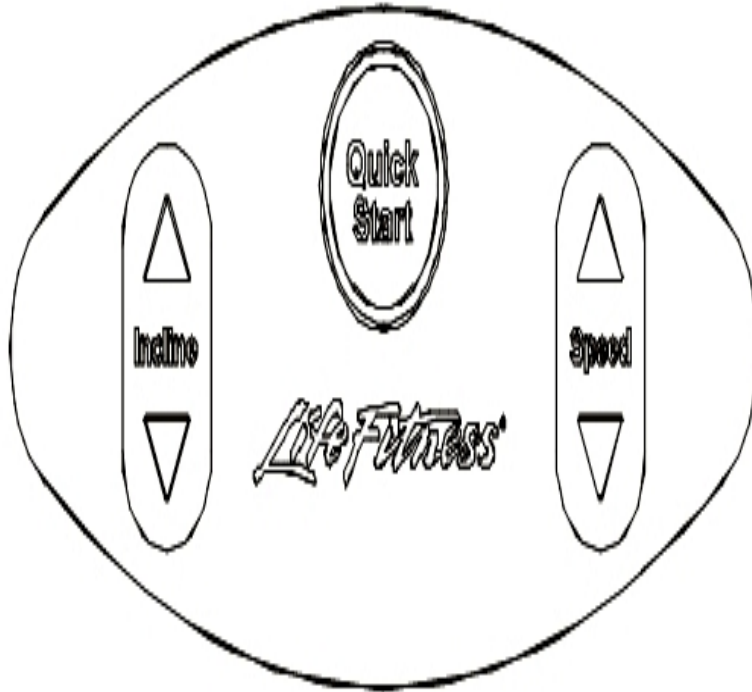


LifeFitness
WHAT WE LIVE FOR

Table of Contents

A-Z Module with Overlay Assembly	3
Belt, Deck and Rear Rollers	4
Cables	5
Console Components 1	7
Console Components 2	8
Console, Overlay Assembly and Overlay	9
Drive Motor Assembly	10
DSP Controller Assembly	11
Ergo Bar, Heart Rate Sensors and Activity Zone	12
Front Roller Assembly	13
Idler Arm Assembly	14
Leg Leveler Assembly	15
Lift Frame, Lift Motor and IEC Receptacle	16
Line Cords and Line Cord Options	18
Motor Cover, Front Cover and Front End Caps	19
On/Off Switch, Access Plate and Grommets	20
Rear End Caps and Cup Holders	21
References	22
Scuff Pad and Tinsel	24
Stride Sensor and Stride Sensor PCB Assembly	25
Uprights and Handrails	26

A-Z Module with Overlay Assembly



Ref #	Part Number	Qty	Description
-	0K58-01461-0001	1	Activity Zone Overlay English/Metric
-	AK58-00556-0001	1	Activity Zone Assembly: English/English

Belt, Deck and Rear Rollers

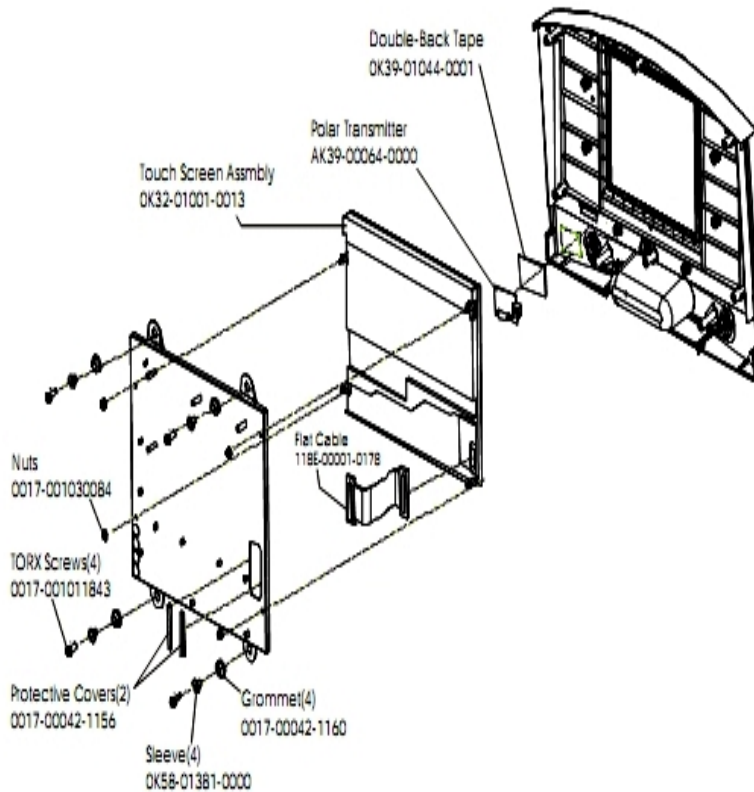
Ref #	Part Number	Qty	Description
-	0017-00103-0198	4	Hardware: Tinnerman Clip 1/4" ID
-	0017-00101-1775	4	Hardware: Deck Screws 1.25"
-	0K40-01026-0002	8	Deck Spring
-	0K65-01263-0000	1	Deck
-	0017-00104-0072	8	Hardware: Flat Washer 0.562" OD
-	M051-00K58-A101	1	Belt Limit Label. Left
-	0K58-01400-0000	1	Striding Belt
-	0K58-01002-0000	1	Rear Roller - 3.5"
-	M051-00K58-A014	1	Label: Caution
-	0017-00101-1652	8	Hardware: Spring Mounting Screw 1"
-	0017-00101-1880	2	Hardware: Tension Bolts 3"
-	M051-00K58-A100	1	Label: Belt Limit: Right

Cables

Ref #	Part Number	Qty	Description
-	AK58-00083-0000	2	Cable Assembly
-	AK32-00009-0000	2	Headphone Jack Cable
-	AK58-00082-0000	2	Jumper Cable Assembly: White - 6"
-	AK58-00597-0000	2	Cable Extension ISO Sensor
-	118E-00001-0178	2	Flat Flex Cable
-	0017-00003-1015	2	20 amp Line Filter (DOM)
-	AK58-00041-0001	2	Heart Rate Sensor Cable
-	AK58-00273-0001	2	Power Cable
-	AK58-00224-0001	2	Cable: MOV; Fliter
-	AK58-00083-0001	2	Jumper Cable Assembly: Green/Yellow - 7"
-	AK58-00036-0000	2	Cable-Assembly: Emergency-Stop Switch
-	0017-00003-0950	1	100v 4 AMP Breaker
-	AK58-00027-0000	1	Limit Switch Cable
-	AK58-00081-0000	2	Jumper Cable Assembly: Black - 4"
-	AK58-00263-0000	2	Hi-Pot Jumper Cable
-	AK58-00523-0000	2	Cable: Jumper; Power; LCD Console
-	AK58-00520-0000	2	Power Cable Assembly: 100-120V
-	AK58-00598-0000	2	Cable: ISO Power
-	AK58-00210-0000	1	Transformer-Bracket Assembly
-	AK58-00032-0000	2	User Proximity Sensor Cable
-	AK32-00019-0001	2	Ethernet Cable

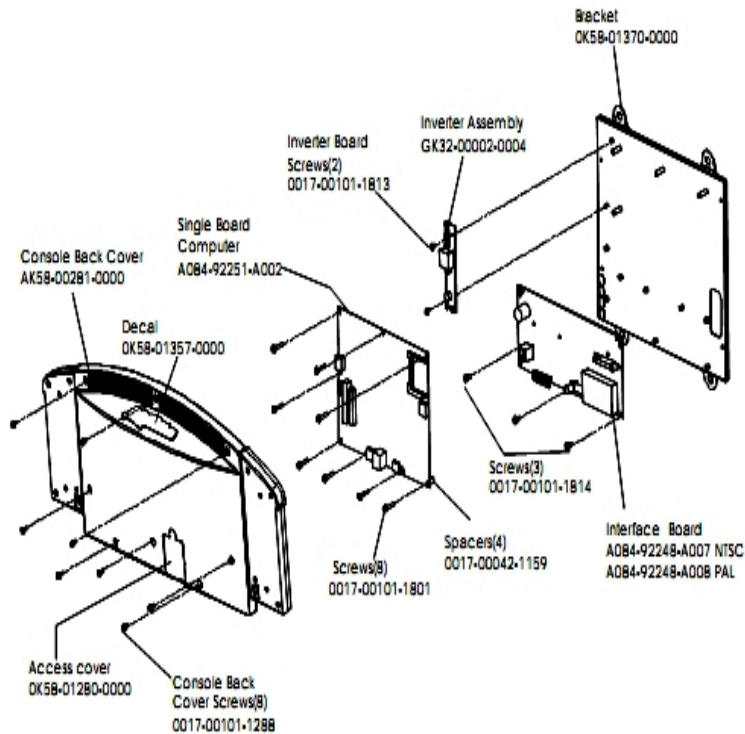
Ref #	Part Number	Qty	Description
-	AK58-00274-0001	2	Polar and Stop Switches: 19.5"
-	AK32-00020-0001	2	Coax Cable: 90"
-	AK58-00232-0000	2	Cable-Assembly: Console; Middle
-	AK58-00524-0000	2	Cable: Thermal Adapter

Console Components 1



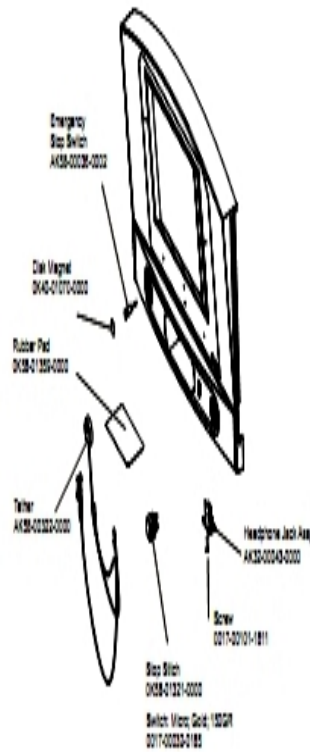
Ref #	Part Number	Qty	Description
-	OK32-01001-0013	1	LCD Touchscreen Assembly
-	OK32-01001-0013	1	LCD Touchscreen Assembly
-	118E-00001-0178	1	Flat Flex Cable
-	0017-00103-0084	1	Hardware: Nut
-	0017-00042-1160	4	Grommet
-	OK58-01381-0000	4	Shoulder Bushing
-	OK32-01001-0013	1	LCD Touchscreen Assembly
-	OK39-01044-0001	1	Double-sided Tape
-	0017-00101-1843	4	Hardware: Screw
-	0017-00042-1156	2	Edge Trim
-	OK32-01001-0013	1	LCD Touchscreen Assembly
-	118E-00001-0259	1	Wireless Receiver Module, Non-Coded

Console Components 2



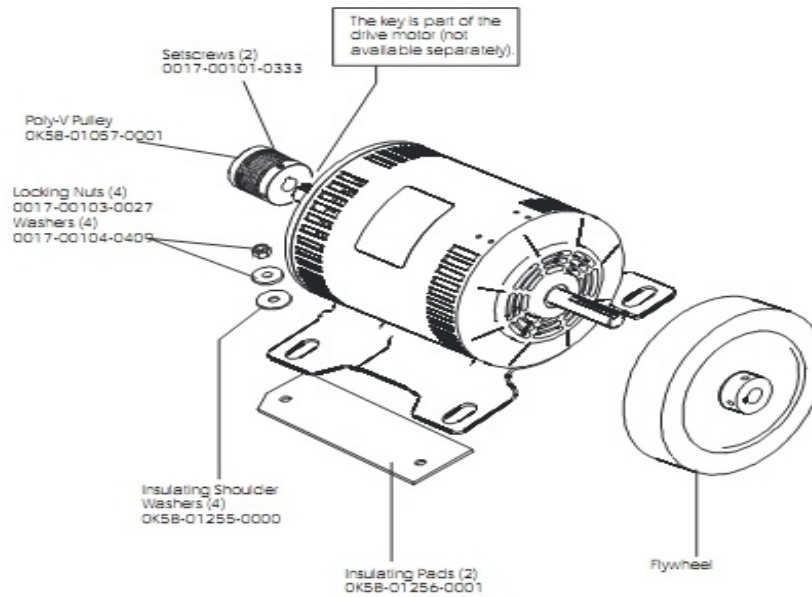
Ref #	Part Number	Qty	Description
-	A084-92248-A008	1	Interface Board PAL
-	AK58-00281-0000	1	Console Back Cover
-	OK58-01280-0000	1	Accessory Cover
-	0017-00101-1813	2	Hardware: Inverter Board Screw
-	A084-92248-A007	1	Interface Boards NTSC
-	A084-92248-A007	1	Interface Boards NTSC
-	A084-92248-A007	1	Interface Boards NTSC
-	A084-92248-A007	1	Interface Boards NTSC
-	0017-00042-1159	4	Spacers
-	GK32-00002-0004	1	Inverter Board
-	OK58-01370-0000	1	Bracket
-	A084-92251-A002	1	Single Board Computer
-	OK58-01357-0000	1	Decal
-	0017-00101-1814	3	Hardware: Screw
-	0017-00101-1288	8	Hardware: Phillips Screw 0.5"
-	0017-00101-1801	8	Hardware: Screw

Console, Overlay Assembly and Overlay



Ref #	Part Number	Qty	Description
-	AK58-00516-0001	1	Bezel Switch with Overlay: English
-	OK58-01377-0001	1	Overlay English NTSC
-	GK58-00002-0099	1	Console with FM English/ NTSC

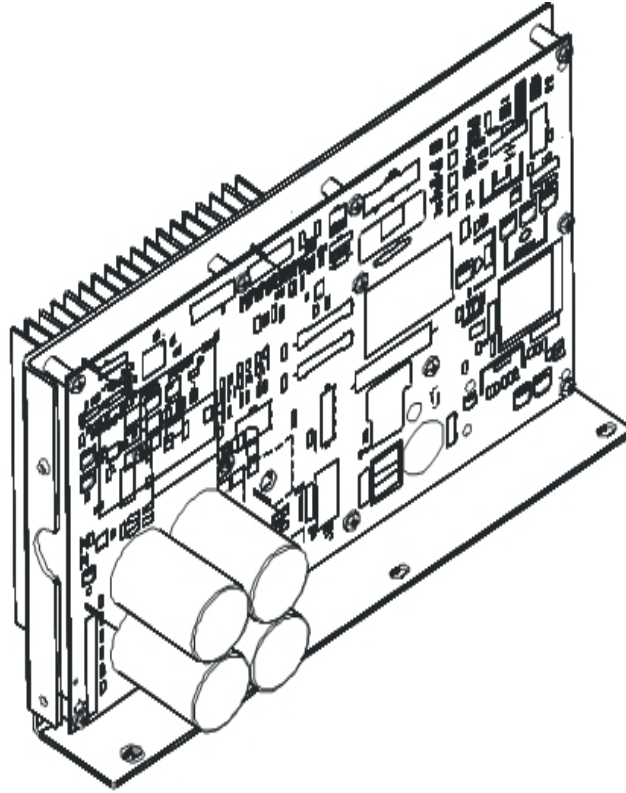
Drive Motor Assembly



Description	Part Nos.	
	S/N TSE100000—TSE100568	S/N TSE100569 and up
Drive Motor Assembly	AK58-00171-0001 (dual cable)	AK58-00171-0002 (tapered shaft)
Cast Iron Flywheel	OK58-01092-0002	OK58-01092-0004
Flywheel Setscrews/Bolt	0017-00101-0975 (uses setscrews)	0017-00101-1885 (uses bolt)

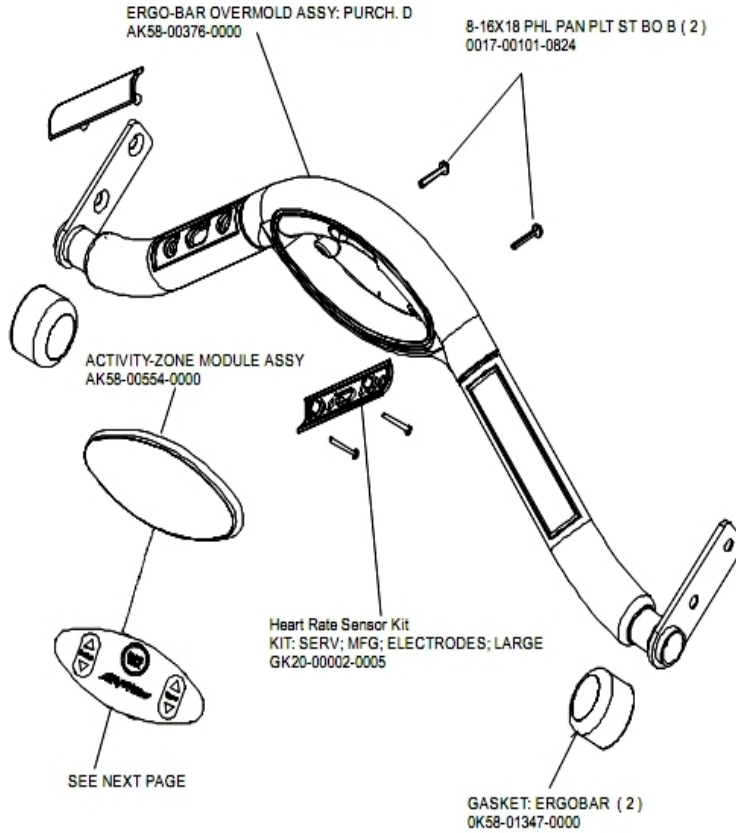
Ref #	Part Number	Qty	Description
-	0017-00101-1885	1	Hardware: Hex Bolt 1"
-	OK58-01255-0000	4	Hardware: Insulating Washers
-	OK58-01092-0004	1	Cast Iron Flywheel
-	OK58-01386-0004	1	MOTOR: MAIN DRIVE, 230V/50HZ, W/TAPER
-	0017-00104-0409	4	Hardware: Washer 1.125" OD
-	OK58-01092-0002	1	Cast Iron Flywheel
-	OK58-01057-0001	1	Drive Pulley - 1.971"
-	0017-00101-0333	2	Hardware: Screw 0.3125"
-	0017-00101-0975	1	Hardware: Mounting Bolt 0.375"
-	AK58-00171-0001	1	Drive Motor Assembly
-	0017-00103-0027	4	Hardware: Locking Nut. 5/16" ID

DSP Controller Assembly



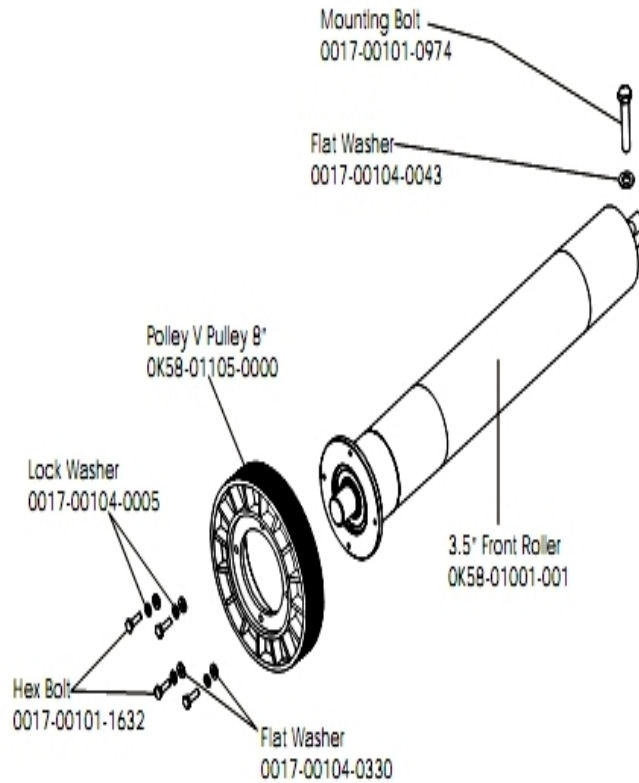
Ref #	Part Number	Qty	Description
-	GK58-00002-0119	1	Display Control- 100-120; LCD
-	GK58-00002-0119	1	Display Control- 100-120; LCD
-	GK58-00002-0119	1	Display Control- 100-120; LCD
-	AK65-00071-0000R	1	Display: Wolverine/Nextgen; Tread; Iso; 100-120
-	GK58-00002-0119	1	Display Control- 100-120; LCD

Ergo Bar, Heart Rate Sensors and Activity Zone



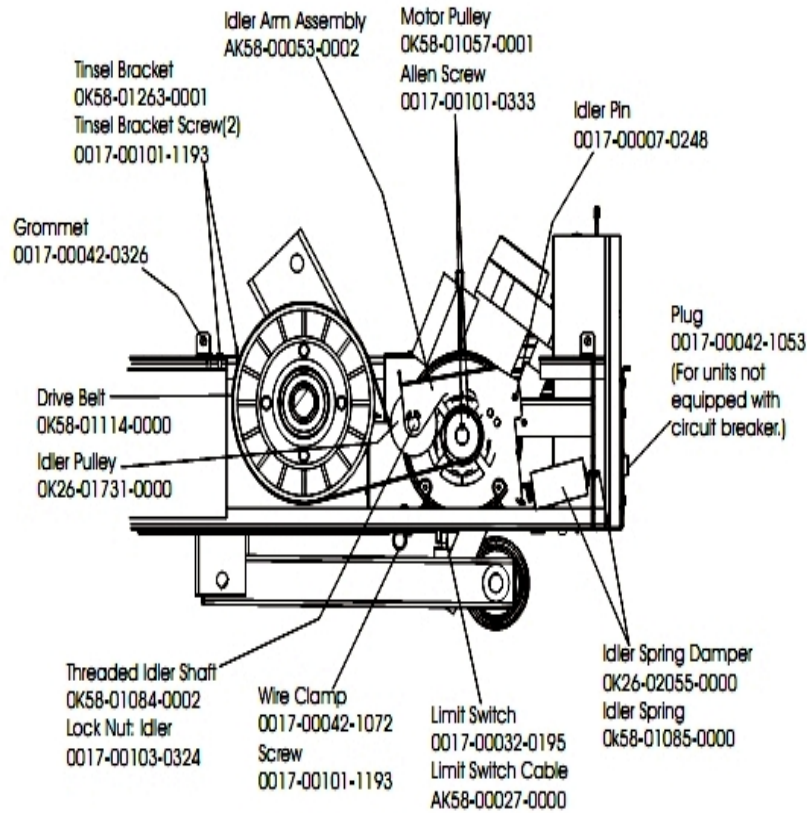
Ref #	Part Number	Qty	Description
-	AK58-00554-0201	1	Activity-Zone Module Assembly: Purchased; Generic Shadow Grey
-	GK20-00002-0005	1	Heart Rate Electrode Kit
-	0017-00101-0824	2	Hardware: Screw 1.125"
-	AK58-00376-0001	1	Ergo-Bar Overmold Assembly
-	AK58-01347-0000	2	ErgoBar Gasket

Front Roller Assembly



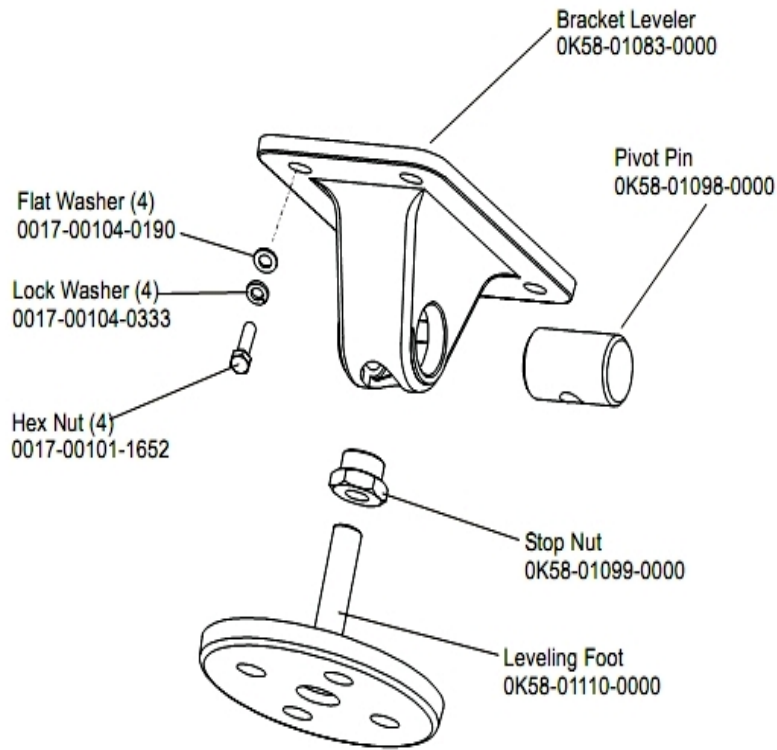
Ref #	Part Number	Qty	Description
-	0017-00101-0974	1	Hardware: Mounting Bolt 2"
-	0017-00104-0043	1	Hardware: Flat Washer 0.734" OD
-	0017-00104-0005	4	Hardware: Lock Washer 0.489" OD
-	OK58-01001-0001	1	Front Roller - 3.5"
-	AK58-00066-0000	1	Front Roller Assembly
-	0017-00101-1632	4	Hardware: Hex Bolt 0.875"
-	OK58-01105-0000	1	Drive Pulley Poly V - 8"
-	0017-00104-0330	4	Hardware: Flat Washers 0.562" OD

Idler Arm Assembly



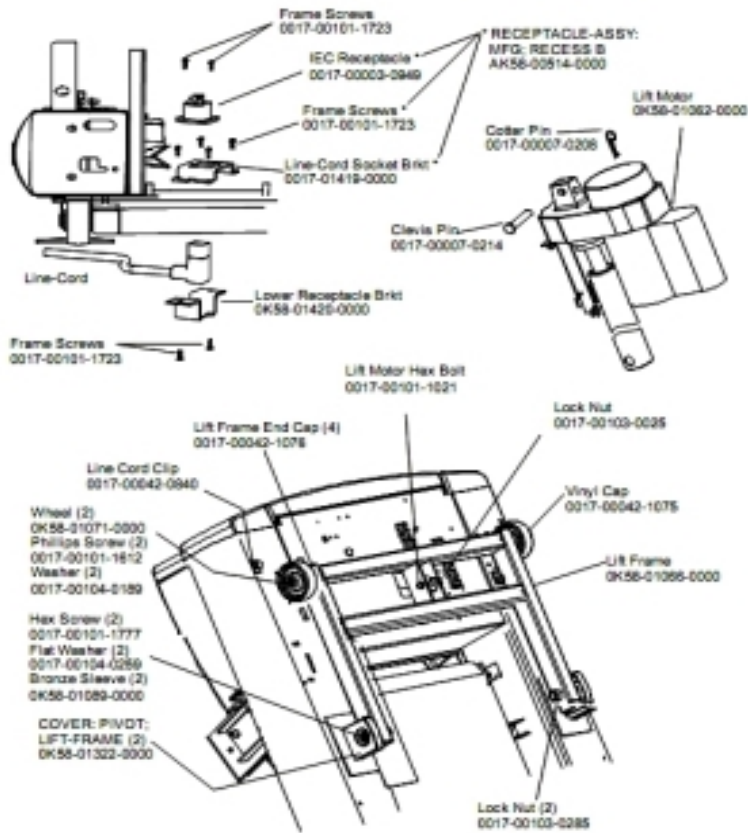
Ref #	Part Number	Qty	Description
-	OK58-01057-0001	1	Drive Pulley - 1.971"
-	AK58-00053-0002	1	Idler Arm Assembly
-	0017-00103-0324	1	Hardware: Thin Lock Nut 3/8" ID
-	AK58-00027-0000	1	Limit Switch Cable
-	OK26-01731-0000	1	Plastic Idler 2 5/8" OD
-	OK26-02055-0000	1	Spring Damper
-	0017-00032-0195	1	Home Switch
-	0017-00042-1072	1	Hardware: Wire Clamp - 5/8"
-	OK58-01084-0002	1	Threaded Shaft
-	0017-00007-0248	1	Hardware: Locking Pin .31" D 2.125" L
-	0017-00042-0326	1	Hardware: Plastic Grommet
-	0017-00101-1193	3	Hardware: Screw 0.375"
-	OK58-01114-0000	1	Poly-V Drive Belt - 370J12
-	OK58-01085-0000	1	Extension Spring
-	OK58-01263-0001	1	Tinsel Bracket
-	0017-00101-0333	1	Hardware: Screw 0.3125"
-	0017-00042-1053	1	Plug (For units not equipped with circuit breaker.)

Leg Leveler Assembly



Ref #	Part Number	Qty	Description
-	0K58-01110-0000	1	Leveler Foot
-	AK58-00370-0000	1	Leveler Assembly
-	0K58-01099-0000	1	Hardware: Stop Nut
-	0K58-01083-0000	1	Leveler Bracket
-	0017-00104-0333	4	Hardware: Washer 0.683" OD
-	0017-00104-0190	4	Hardware: Flat Washer 0.734" OD
-	0017-00101-1652	4	Hardware: Spring Mounting Screw 1"
-	0K58-01098-0000	1	Hardware: Pivot Pin

Lift Frame, Lift Motor and IEC Receptacle



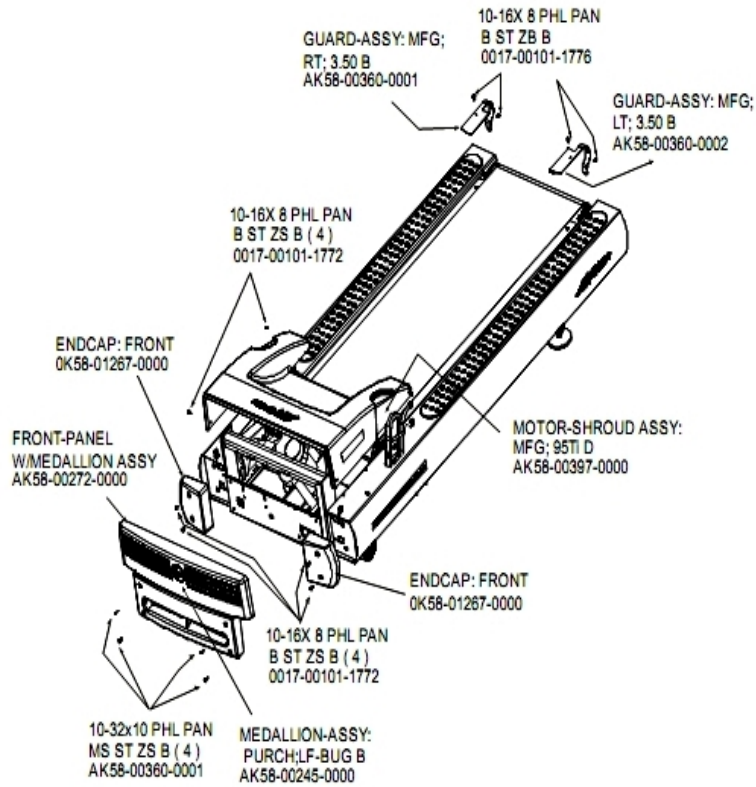
Ref #	Part Number	Qty	Description
-	0017-00007-0214	2	Hardware: Clevis Pin 3/8" D 1.75" L
-	0017-00101-1612	2	Hardware: Phillips Screw 0.5"
-	0017-00042-1075	1	Vinyl Cap
-	0K58-01071-0000	2	Wheel
-	0017-00042-0840	1	Hardware: Push Mount Clip
-	0K58-01089-0000	2	Bronze Sleeve Bushings
-	0K58-01420-0000	1	Lower Receptacle Bracket
-	0K58-01062-0000	1	Lift Motor - 120/60
-	AK58-00220-0000	1	LIFT-FRAME ASSY: MFG. C
-	0017-00042-1076	4	Lift Frame End Cap
-	0017-00103-0285	2	Hardware: Nut 5/8" ID
-	0017-00101-1723	3	Hardware: Phillips Pan Screw 0.375"
-	AK58-00514-0000	1	Receptacle Assembly
-	0017-00007-0208	2	Hardware: Cotter Pin
-	0017-00101-1777	2	Hardware: Lift Frame Mounting Bolt 2.75"
-	0017-00104-0189	2	Hardware: Flat Washer 1" OD
-	0K58-01419-0000	1	Line Cord Socket Bracket
-	0K58-01322-0000	2	Lift Frame Pivot Cover
-	0017-00003-0949	1	IEC Receptacle
-	0017-00101-1021	1	Hardware: Lift Motor Hex Bolt 2.5"
-	0017-00103-0285	1	Hardware: Locking Nut 3/8" ID

Ref #	Part Number	Qty	Description
-	0017-00104-0259	2	Hardware: Washer 1.331" OD

Line Cords and Line Cord Options

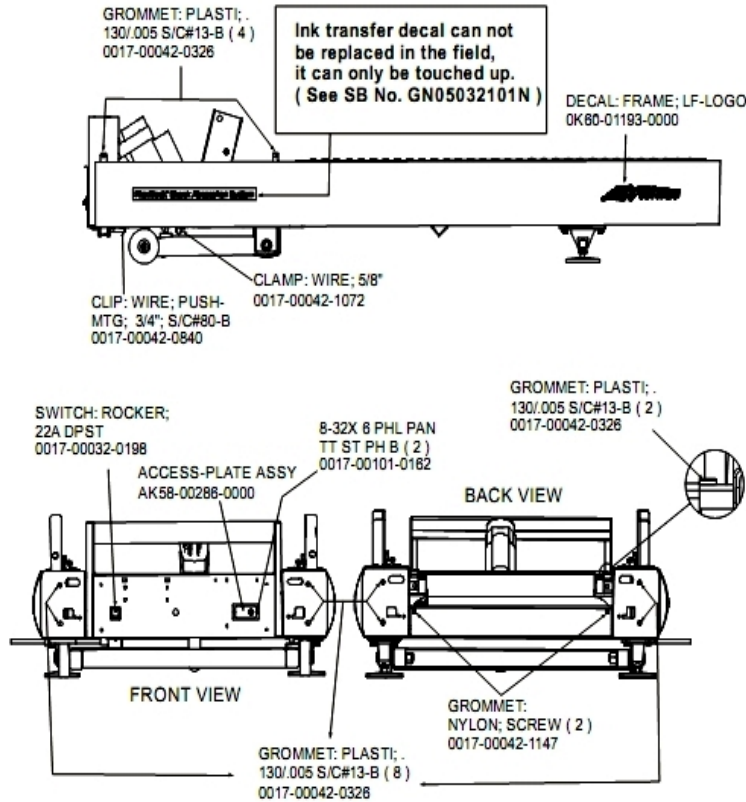
Ref #	Part Number	Qty	Description
-	0017-00003-0980	1	Line Cord: US Low Voltage 144"
-	0017-00003-0915	1	Line Cord RT Angle Plug
-	0017-00003-0947	1	Line Cord: 120V; 20A; 12'
-	0017-00003-0974	1	Line Cord: 120V: 8'

Motor Cover, Front Cover and Front End Caps



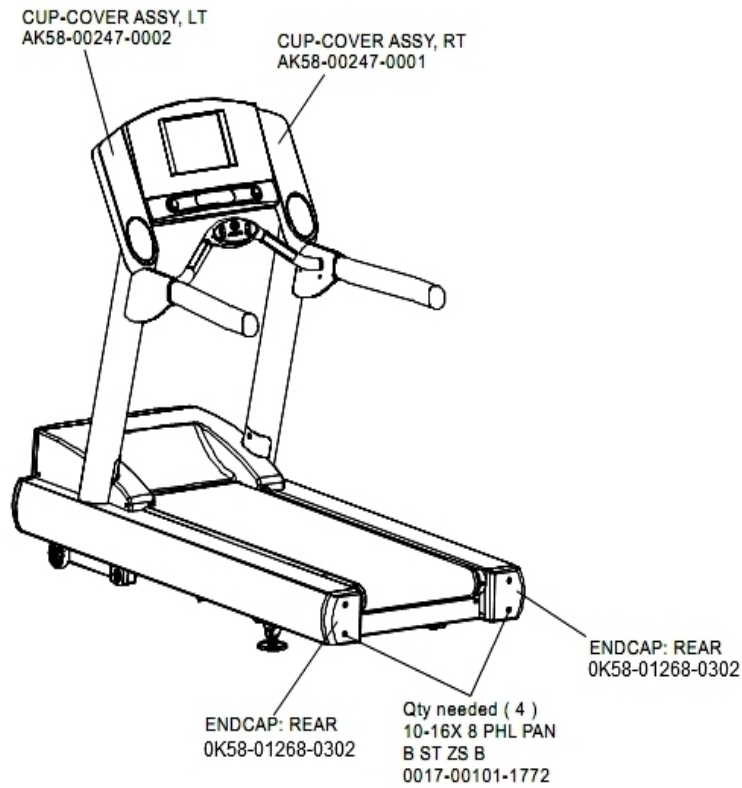
Ref #	Part Number	Qty	Description
-	AK58-00360-0001	5	Rear Roller Guard: Right
-	AK58-00397-0000	1	Motor Shroud
-	0017-00101-1772	8	Hardware: Phillips Pan Screw 0.5"
-	0017-00101-1776	1	Hardware: Mounting Screw 0.5"
-	AK58-00360-0002	1	Rear Roller Guard: Left
-	OK58-01267-0000	2	End Cap
-	AK58-00272-0000	1	Front Panel with Medallion
-	AK58-00245-0000	1	Bug Medallion

On/Off Switch, Access Plate and Grommets



Ref #	Part Number	Qty	Description
-	0017-00101-0162	2	Hardware: Screw 0.375"
-	AK58-00286-0000	1	Access Plate
-	0017-00042-0840	1	Hardware: Push Mount Clip
-	0K60-01193-0000	1	Decal: LF Logo
-	0017-00032-0198	1	On/Off Switch 22A
-	0017-00042-0326	14	Hardware: Plastic Grommet
-	0017-00042-1147	2	Hardware: Nylon Grommet
-	0017-00042-1072	1	Hardware: Wire Clamp - 5/8"

Rear End Caps and Cup Holders



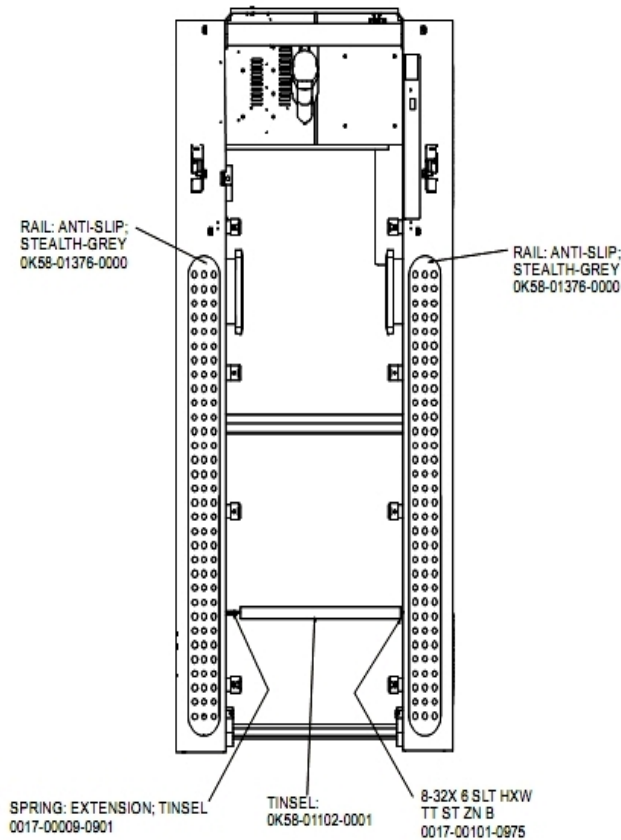
Ref #	Part Number	Qty	Description
-	OK58-01268-0302	2	ENDCAP: REAR; STEALTH D
-	AK58-00247-0002	1	Cup Holder Left
-	0017-00101-1772	4	Hardware: Phillips Pan Screw 0.5"
-	AK58-00247-0001	1	Cup Holder Right

References

Ref #	Part Number	Qty	Description
-	AK58-00226-0000	1	Hardware Bag
-	AK58-00360-0001	1	Rear Roller Guard: Right
-	0017-00008-0204	1	Paint Spray Can - Arctic Silver
-	0017-00042-0840	5	Hardware: Push Mount Clip
-	0017-00101-1770	6	Hardware: Phillips Pan Screw 0.5"
-	0K58-01376-0000	2	Anti-Scuff Pad
-	0017-00101-1772	6	Hardware: Phillips Pan Screw 0.5"
-	0K58-01347-0000	2	ErgoBar Gasket
-	AK58-00360-0002	1	Rear Roller Guard: Left
-	0017-00101-1778	4	Hardware: Hex Bolt 1"
-	0017-00008-0206	1	.33oz Pen - Arctic Silver
-	0017-00042-0326	4	Hardware: Plastic Grommet
-	0017-00042-1147	2	Hardware: Nylon Grommet
-	0017-00103-0327	4	Hardware: Hex Nut 5/16" ID
-	0K58-01305-0002	2	Upright Plug
-	0017-00008-0211	1	Paint: Shadow-Gray Touch Up: .6 OZ Bottle
-	0017-00101-1774	4	Hardware: TORX Screw 2.5"
-	0017-00101-1780	8	Hardware: Mounting Screws
-	GK58-00002-0071	1	Anti-Slip Rail
-	0017-00008-0210	1	Paint: Shadow-Gray Touch Up: .6 OZ Bottle
-	0017-00101-1776	4	Hardware: Mounting Screw 0.5"

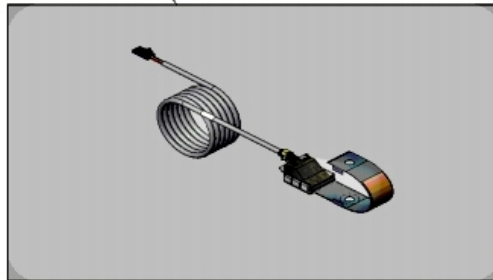
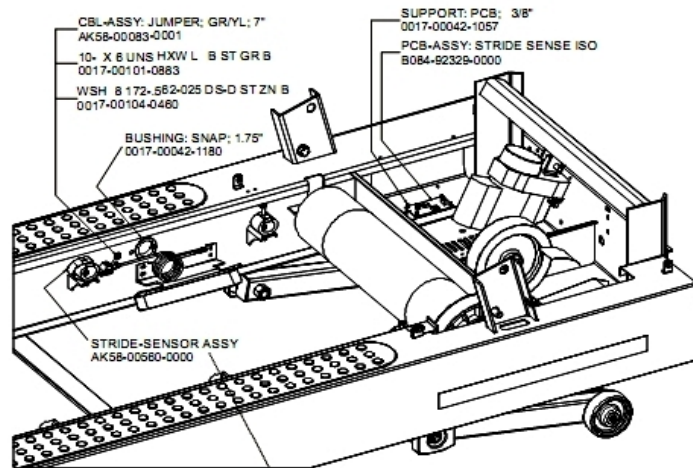
Ref #	Part Number	Qty	Description
-	0017-00101-1773	6	Hardware: TORX Screw 0.5"
-	0017-00009-1049	1	Torx Wrench
-	0017-00104-0325	4	Hardware: Washer 0.873" OD
-	0017-00008-0205	1	5 oz Bottle - Arctic Silver
-	M051-00K58-B128	1	Service Instructions - Roller Guards

Scuff Pad and Tinsel



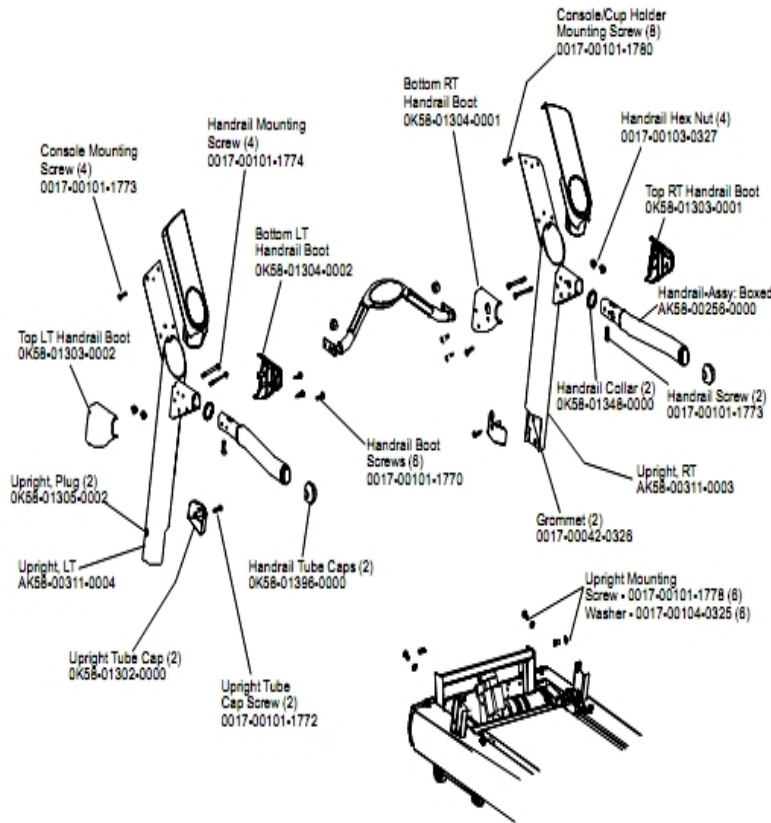
Ref #	Part Number	Qty	Description
-	0017-00009-0901	1	Tinsel Extension Spring
-	OK58-01376-0000	3	Anti-Scuff Pad
-	0017-00101-0975	1	Hardware: Mounting Bolt 0.375"
-	OK58-01102-0001	1	Anti-Static Tinsel

Stride Sensor and Stride Sensor PCB Assembly



Ref #	Part Number	Qty	Description
-	AK58-00083-0001	1	Jumper Cable Assembly: Green/Yellow - 7"
-	0017-00101-0883	1	Hardware: Screw 0.375"
-	AK58-00560-0000	1	Stride Sensor Assembly
-	0K58-01256-0001	2	Insulating Pad
-	0017-00042-1057	1	Support: Printed Circuit Board; 3/8"
-	0017-00104-0460	1	Hardware: Lockwasher 0.562" OD
-	B084-92329-0000	1	PCB-ASSY: STRIDE SENSE ISO
-	0017-00042-1180	1	Hardware: Snap Bushing - 1.75"

Uprights and Handrails



Ref #	Part Number	Qty	Description
-	0017-00101-1773	6	Hardware: TORX Screw 0.5"
-	0017-00104-0325	6	Hardware: Washer 0.873" OD
-	0K58-01396-0000	2	Endcap
-	0K58-01303-0002	1	Top Left Handrail Boot
-	0K58-01304-0001	1	Bottom Right Handrail Boot
-	0K58-01304-0002	1	Bottom Left Handrail Boot
-	0017-00101-1772	2	Hardware: Phillips Pan Screw 0.5"
-	0K58-01303-0001	1	Top Right Handrail Boot
-	0017-00101-1778	6	Hardware: Hex Bolt 1"
-	0017-00042-0326	2	Hardware: Plastic Grommet
-	0017-00103-0327	4	Hardware: Hex Nut 5/16" ID
-	0K58-01302-0103	2	Cap: Upright Tube; Arctic Silver
-	0K58-01305-0002	2	Upright Plug
-	AK58-00256-0001	1	Handrail
-	AK58-00311-0004	1	Upright: Left
-	0017-00101-1774	4	Hardware: TORX Screw 2.5"
-	0017-00101-1780	8	Hardware: Mounting Screws
-	AK58-00311-0003	1	Upright: Right
-	0K58-01348-0000	2	Handrail Collar
-	0017-00101-1770	6	Hardware: Phillips Pan Screw 0.5"

