

95Te Treadmill w/Integrated LCD- 4HP AC - Heart Rate

95TE-0102-07

Parts Manual

1/5/2019 10:51:57 AM

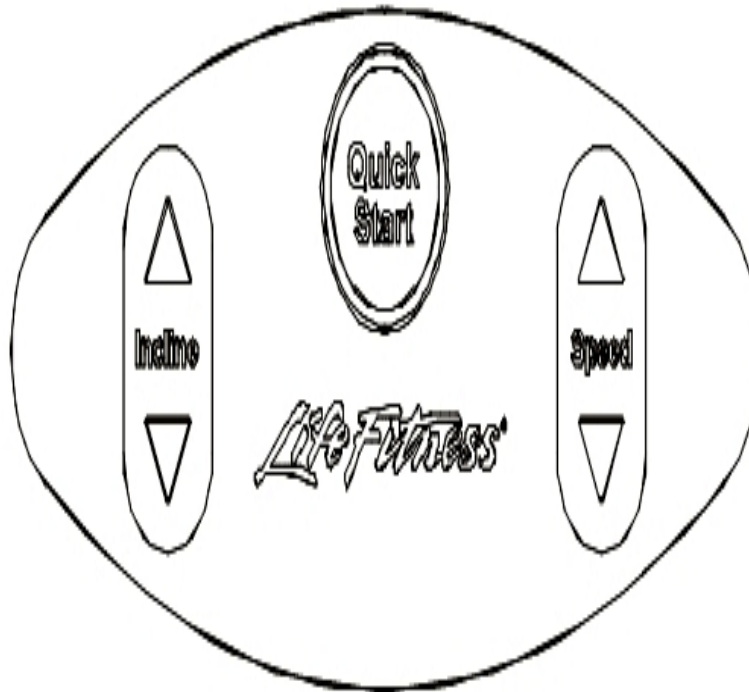


LifeFitness
WHAT WE LIVE FOR

Table of Contents

| | |
|--|----|
| A-Z Module With Overlay | 3 |
| Belt, Deck, And Rear Roller | 4 |
| Cables | 5 |
| Console And Overlay | 7 |
| Console Components 1 | 8 |
| Console Components 2 | 9 |
| Drive Motor Assembly | 10 |
| DSP - Controller | 11 |
| Ergo Bar, Heart Rate Sensors And Activity Zone | 12 |
| Front Roller Assembly | 13 |
| Idler Arm | 14 |
| Leg Leveler Assembly | 15 |
| Lift Frame, Lift Motor, And IEC Receptacle | 16 |
| Line Cords And Line Cord Options | 18 |
| Motor Cover, Front Cover And Front End Caps | 19 |
| On-Off Switch, Access Plate And Grommets | 20 |
| Rear End Caps And Cup Holders | 21 |
| References | 22 |
| Scuff Pad And Tinsel | 24 |
| Stride Sensor And Stride Sensor PCB | 25 |
| Uprights And Handrails | 26 |

A-Z Module With Overlay



| Ref # | Part Number | Qty | Description |
|-------|-----------------|-----|---|
| - | 0K58-01461-0001 | 1 | Activity Zone Overlay English/Metric |
| - | AK58-00556-0001 | 1 | Activity Zone Assembly: English/English |

Belt, Deck, And Rear Roller

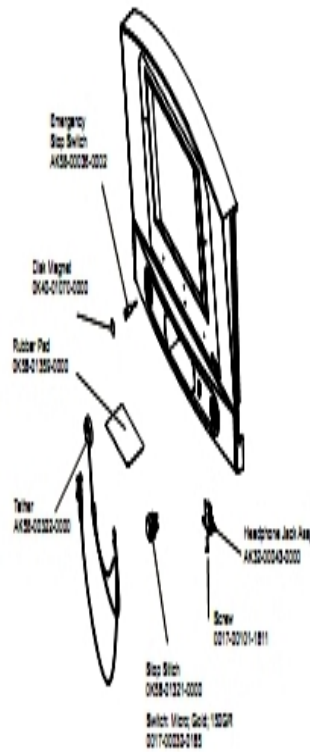
| Ref # | Part Number | Qty | Description |
|-------|-----------------|-----|------------------------------------|
| - | 0017-00103-0198 | 4 | Hardware: Tinnerman Clip 1/4" ID |
| - | 0017-00101-1775 | 4 | Hardware: Deck Screws 1.25" |
| - | 0K40-01026-0002 | 8 | Deck Spring |
| - | 0K65-01263-0000 | 1 | Deck |
| - | 0017-00104-0072 | 8 | Hardware: Flat Washer 0.562" OD |
| - | M051-00K58-A101 | 1 | Belt Limit Label. Left |
| - | 0K58-01400-0000 | 1 | Striding Belt |
| - | 0K58-01002-0000 | 1 | Rear Roller - 3.5" |
| - | M051-00K58-A014 | 1 | Label: Caution |
| - | 0017-00101-1652 | 8 | Hardware: Spring Mounting Screw 1" |
| - | 0017-00101-1880 | 2 | Hardware: Tension Bolts 3" |
| - | M051-00K58-A100 | 1 | Label: Belt Limit: Right |

Cables

| Ref # | Part Number | Qty | Description |
|-------|-----------------|-----|--|
| - | AK58-00232-0000 | 1 | Cable-Assembly: Console; Middle |
| - | AK58-00032-0000 | 1 | User Proximity Sensor Cable |
| - | AK58-00274-0001 | 1 | Polar and Stop Switches: 19.5" |
| - | AK32-00020-0001 | 1 | Coax Cable: 90" |
| - | AK32-00019-0001 | 1 | Ethernet Cable |
| - | AK32-00009-0000 | 1 | Headphone Jack Cable |
| - | AK58-00596-0001 | 1 | Power Cable: 230-240V |
| - | AK58-00273-0001 | 1 | Power Cable |
| - | AK58-00224-0001 | 1 | Cable: MOV; Fliter |
| - | AK58-00083-0001 | 1 | Jumper Cable Assembly: Green/Yellow - 7" |
| - | AK58-00036-0000 | 1 | Cable-Assembly: Emergency-Stop Switch |
| - | 0017-00003-0626 | 1 | CIRCUIT-BREAKER:2A 200-240V |
| - | AK58-00027-0000 | 1 | Limit Switch Cable |
| - | AK58-00081-0000 | 1 | Jumper Cable Assembly: Black - 4" |
| - | AK58-00263-0000 | 1 | Hi-Pot Jumper Cable |
| - | AK58-00523-0000 | 1 | Cable: Jumper; Power; LCD Console |
| - | AK58-00524-0000 | 1 | Cable: Thermal Adapter |
| - | AK58-00210-0000 | 1 | Transformer-Bracket Assembly |
| - | AK58-00597-0000 | 1 | Cable Extension ISO Sensor |
| - | AK58-00083-0000 | 1 | Cable Assembly |
| - | 118E-00001-0178 | 1 | Flat Flex Cable |

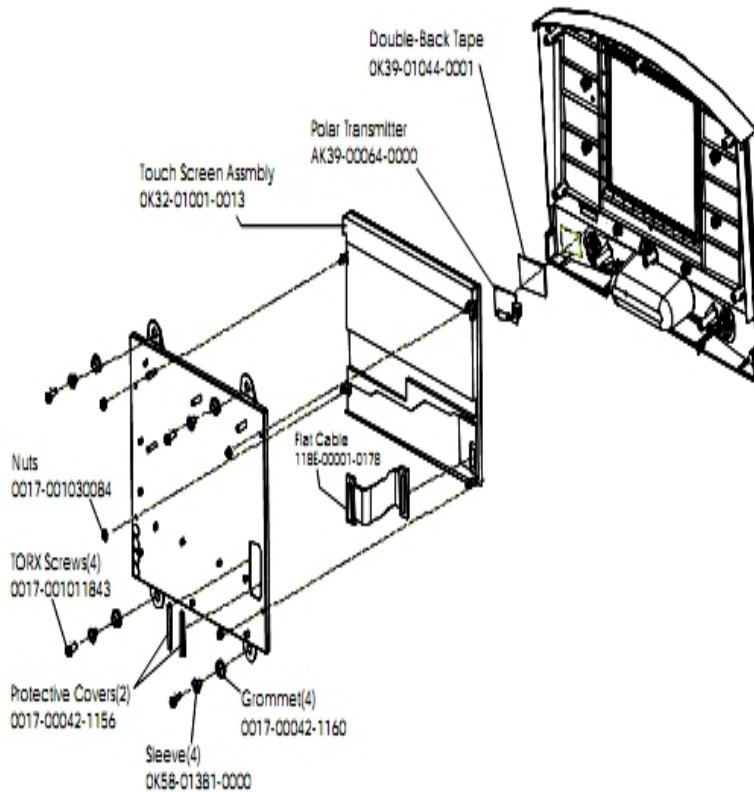
| Ref # | Part Number | Qty | Description |
|--------------|--------------------|------------|-----------------------------------|
| - | AK58-00082-0000 | 1 | Jumper Cable Assembly: White - 6" |
| - | 0017-00003-0898 | 1 | 10 amp Line Filter (INT) |
| - | AK58-00041-0001 | 1 | Heart Rate Sensor Cable |
| - | AK58-00598-0000 | 1 | Cable: ISO Power |

Console And Overlay



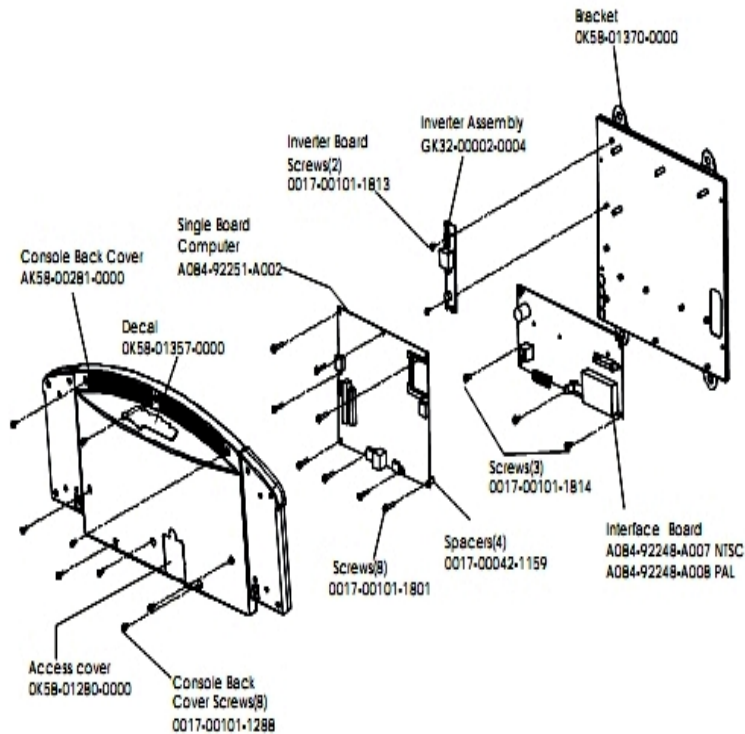
| Ref # | Part Number | Qty | Description |
|-------|-----------------|-----|------------------------------------|
| - | 0K58-01377-0001 | 1 | Overlay English NTSC |
| - | GK58-00002-0104 | 1 | Console with FM English/ PAL |
| - | AK58-00517-0001 | 1 | Bezel Switch with Overlay: English |

Console Components 1



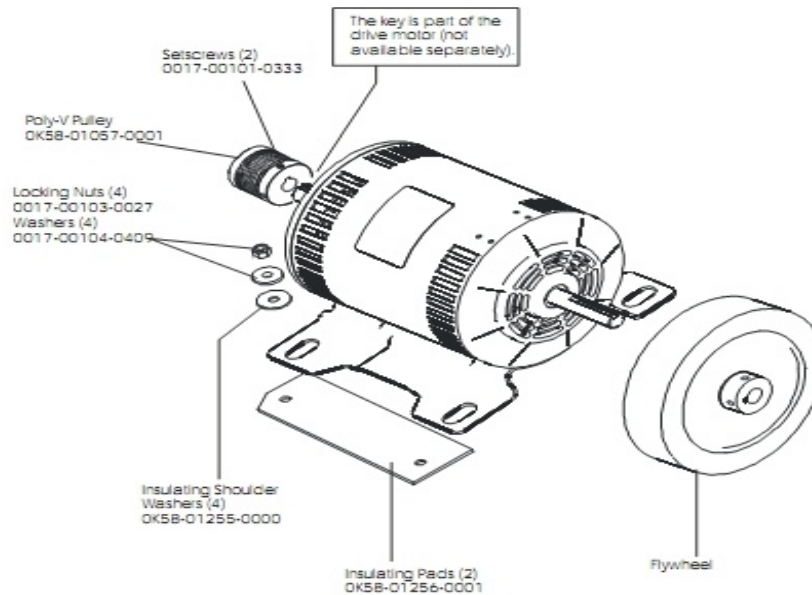
| Ref # | Part Number | Qty | Description |
|-------|-----------------|-----|-------------------------------------|
| - | OK39-01044-0001 | 1 | Double-sided Tape |
| - | OK32-01001-0013 | 1 | LCD Touchscreen Assembly |
| - | 0017-00042-1156 | 2 | Edge Trim |
| - | OK32-01001-0013 | 1 | LCD Touchscreen Assembly |
| - | 118E-00001-0178 | 1 | Flat Flex Cable |
| - | 0017-00042-1160 | 4 | Grommet |
| - | 118E-00001-0259 | 1 | Wireless Receiver Module, Non-Coded |
| - | OK32-01001-0013 | 1 | LCD Touchscreen Assembly |
| - | OK32-01001-0013 | 1 | LCD Touchscreen Assembly |
| - | OK58-01381-0000 | 4 | Shoulder Bushing |
| - | 0017-00101-1843 | 4 | Hardware: Screw |
| - | 0017-00103-0084 | 4 | Hardware: Nut |

Console Components 2



| Ref # | Part Number | Qty | Description |
|-------|-----------------|-----|--------------------------------|
| - | OK58-01357-0000 | 1 | Decal |
| - | 0017-00101-1814 | 3 | Hardware: Screw |
| - | 0017-00101-1801 | 8 | Hardware: Screw |
| - | 0017-00101-1288 | 8 | Hardware: Phillips Screw 0.5" |
| - | A084-92248-A008 | 1 | Interface Board PAL |
| - | AK58-00281-0000 | 1 | Console Back Cover |
| - | OK58-01280-0000 | 1 | Accessory Cover |
| - | 0017-00101-1813 | 2 | Hardware: Inverter Board Screw |
| - | A084-92248-A007 | 1 | Interface Boards NTSC |
| - | A084-92248-A007 | 1 | Interface Boards NTSC |
| - | A084-92248-A007 | 1 | Interface Boards NTSC |
| - | A084-92248-A007 | 1 | Interface Boards NTSC |
| - | 0017-00042-1159 | 4 | Spacers |
| - | GK32-00002-0004 | 1 | Inverter Board |
| - | OK58-01370-0000 | 1 | Bracket |
| - | A084-92251-A002 | 1 | Single Board Computer |

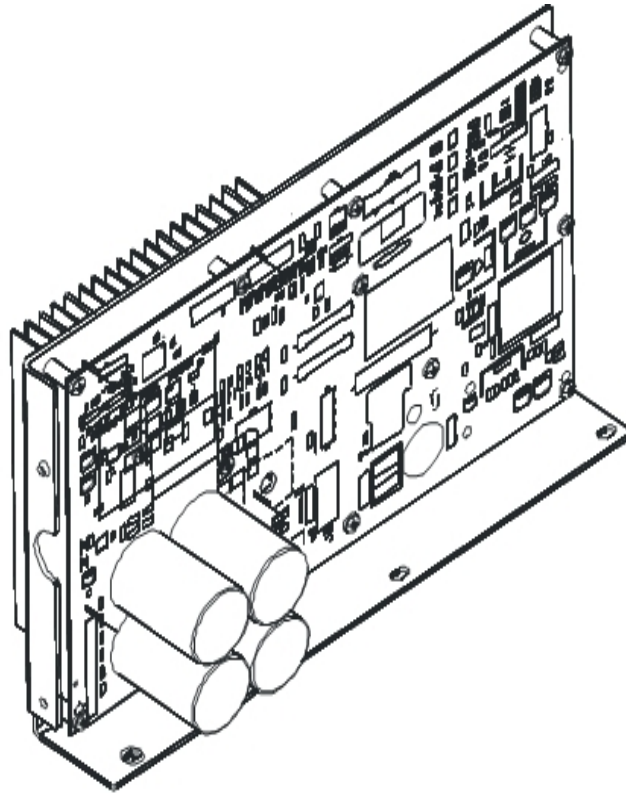
Drive Motor Assembly



| Description | Part Nos. | |
|----------------------------|-------------------------------------|------------------------------------|
| | S/N TSE100000—TSE100568 | S/N TSE100569 and up |
| Drive Motor Assembly | AK58-00171-0001 (dual cable) | AK58-00171-0002 (tapered shaft) |
| Cast Iron Flywheel | 0K58-01092-0002 | 0K58-01092-0004 |
| Flywheel Setscrews/Bolt | 0017-00101-0975 (uses setscrews) | 0017-00101-1885 (uses bolt) |

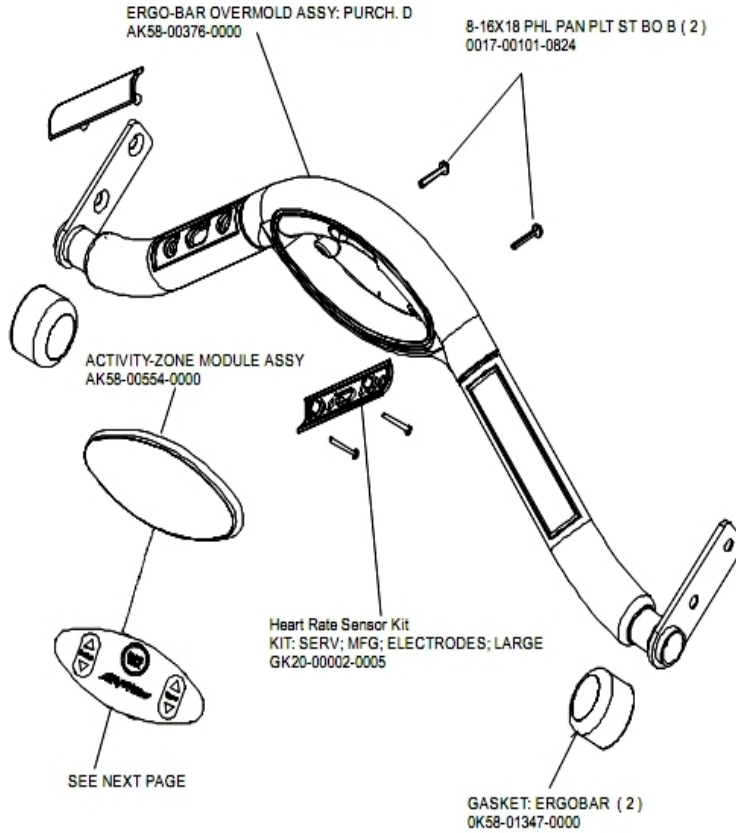
| Ref # | Part Number | Qty | Description |
|-------|-----------------|-----|---------------------------------------|
| - | 0K58-01092-0002 | 1 | Cast Iron Flywheel |
| - | 0017-00101-1885 | 1 | Hardware: Hex Bolt 1" |
| - | 0K58-01255-0000 | 4 | Hardware: Insulating Washers |
| - | 0K58-01092-0004 | 1 | Cast Iron Flywheel |
| - | 0K58-01386-0004 | 1 | MOTOR: MAIN DRIVE, 230V/50HZ, W/TAPER |
| - | 0017-00104-0409 | 4 | Hardware: Washer 1.125" OD |
| - | 0K58-01057-0001 | 1 | Drive Pulley - 1.971" |
| - | 0017-00103-0027 | 4 | Hardware: Locking Nut. 5/16" ID |
| - | 0017-00101-0333 | 2 | Hardware: Screw 0.3125" |
| - | AK58-00171-0001 | 1 | Drive Motor Assembly |
| - | 0017-00101-0975 | 1 | Hardware: Mounting Bolt 0.375" |

DSP - Controller



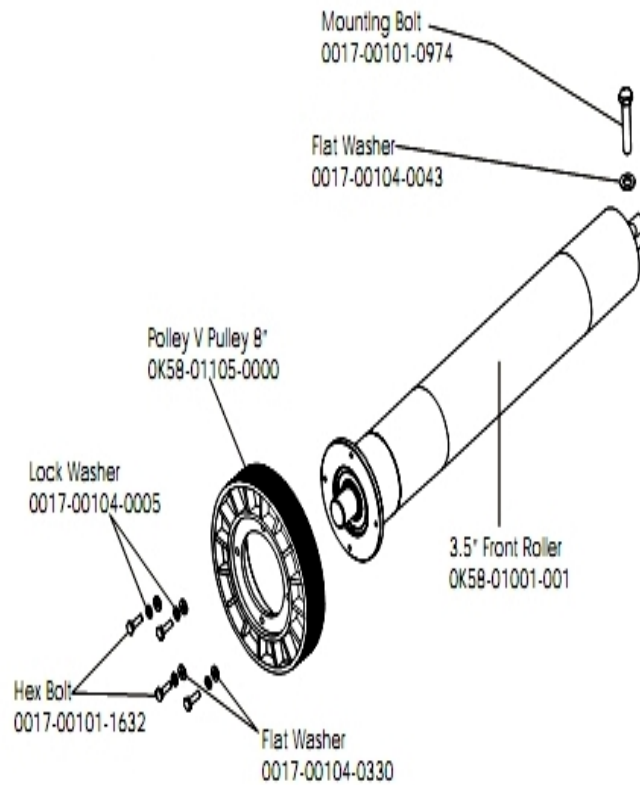
| Ref # | Part Number | Qty | Description |
|-------|-----------------|-----|---------------------------------|
| - | GK58-00002-0121 | 1 | Display Controller 200-240; LCD |
| - | GK58-00002-0121 | 1 | Display Controller 200-240; LCD |
| - | GK58-00002-0121 | 1 | Display Controller 200-240; LCD |
| - | GK58-00002-0121 | 1 | Display Controller 200-240; LCD |

Ergo Bar, Heart Rate Sensors And Activity Zone



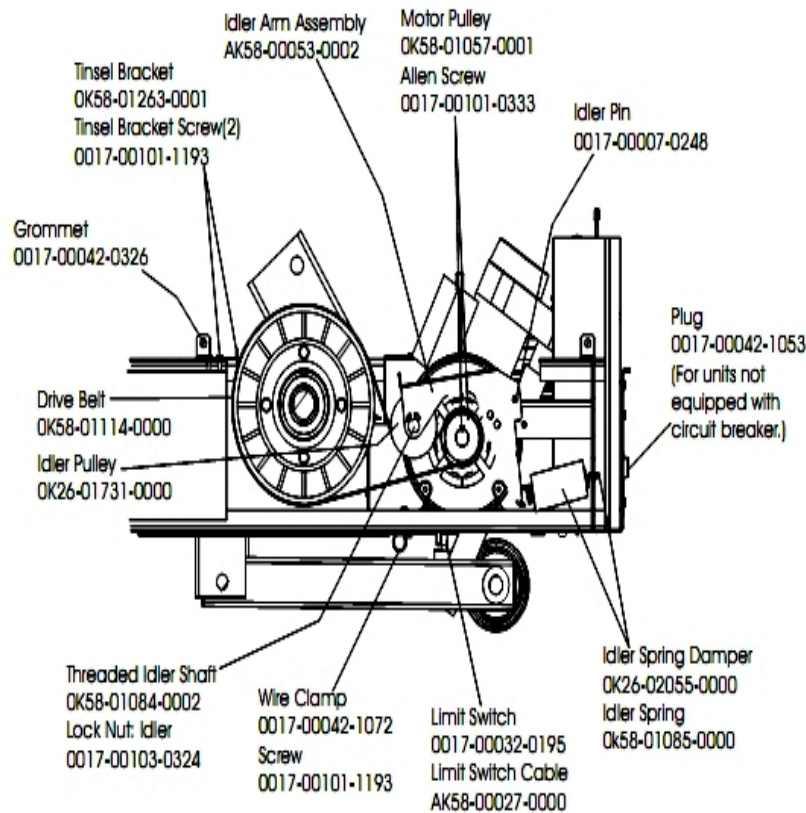
| Ref # | Part Number | Qty | Description |
|-------|-----------------|-----|---|
| - | AK58-00554-0201 | 1 | Activity-Zone Module Assembly: Purchased; Generic Shadow Grey |
| - | GK20-00002-0005 | 2 | Heart Rate Electrode Kit |
| - | 0017-00101-0824 | 2 | Hardware: Screw 1.125" |
| - | AK58-00376-0001 | 1 | Ergo-Bar Overmold Assembly |
| - | 0K58-01347-0000 | 2 | ErgoBar Gasket |

Front Roller Assembly



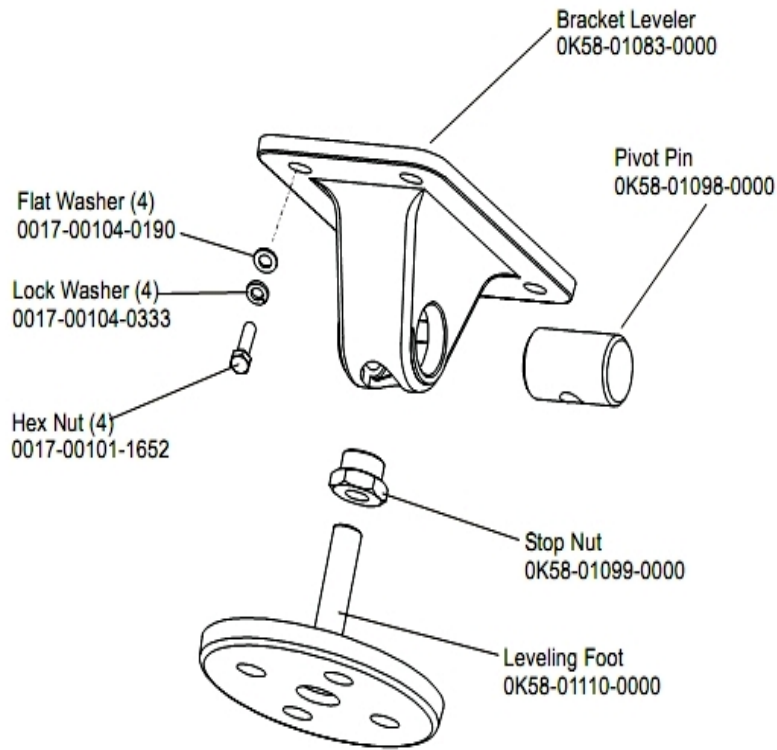
| Ref # | Part Number | Qty | Description |
|-------|-----------------|-----|----------------------------------|
| - | 0017-00101-0974 | 1 | Hardware: Mounting Bolt 2" |
| - | 0017-00104-0043 | 1 | Hardware: Flat Washer 0.734" OD |
| - | 0017-00104-0005 | 2 | Hardware: Lock Washer 0.489" OD |
| - | OK58-01001-0001 | 1 | Front Roller - 3.5" |
| - | AK58-00066-0000 | 1 | Front Roller Assembly |
| - | 0017-00101-1632 | 2 | Hardware: Hex Bolt 0.875" |
| - | OK58-01105-0000 | 1 | Drive Pulley Poly V - 8" |
| - | 0017-00104-0330 | 2 | Hardware: Flat Washers 0.562" OD |

Idler Arm



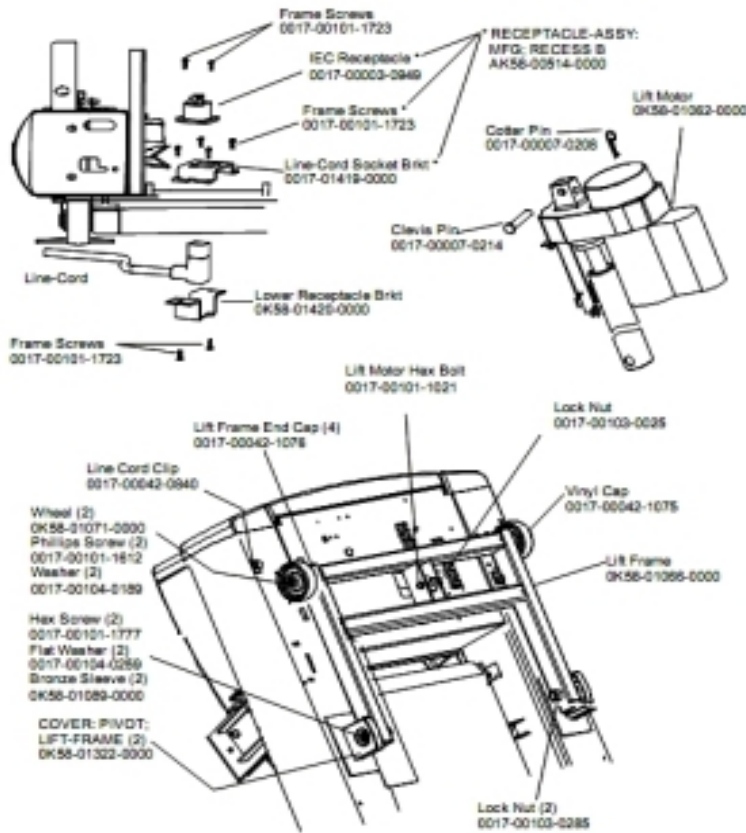
| Ref # | Part Number | Qty | Description |
|-------|-----------------|-----|---|
| - | OK58-01057-0001 | 1 | Drive Pulley - 1.971" |
| - | AK58-00053-0002 | 1 | Idler Arm Assembly |
| - | 0017-00103-0324 | 1 | Hardware: Thin Lock Nut 3/8" ID |
| - | AK58-00027-0000 | 1 | Limit Switch Cable |
| - | OK26-01731-0000 | 1 | Plastic Idler 2 5/8" OD |
| - | OK26-02055-0000 | 1 | Spring Damper |
| - | 0017-00032-0195 | 1 | Home Switch |
| - | 0017-00042-1072 | 1 | Hardware: Wire Clamp - 5/8" |
| - | OK58-01084-0002 | 1 | Threaded Shaft |
| - | 0017-00007-0248 | 1 | Hardware: Locking Pin .31" D 2.125" L |
| - | 0017-00042-0326 | 1 | Hardware: Plastic Grommet |
| - | 0017-00101-1193 | 3 | Hardware: Screw 0.375" |
| - | OK58-01114-0000 | 1 | Poly-V Drive Belt - 370J12 |
| - | OK58-01085-0000 | 1 | Extension Spring |
| - | OK58-01263-0001 | 1 | Tinsel Bracket |
| - | 0017-00101-0333 | 1 | Hardware: Screw 0.3125" |
| - | 0017-00042-1053 | 1 | Plug (For units not equipped with circuit breaker.) |

Leg Leveler Assembly



| Ref # | Part Number | Qty | Description |
|-------|-----------------|-----|------------------------------------|
| - | 0017-00104-0333 | 4 | Hardware: Washer 0.683" OD |
| - | 0K58-01083-0000 | 1 | Leveler Bracket |
| - | 0K58-01098-0000 | 1 | Hardware: Pivot Pin |
| - | 0K58-01099-0000 | 1 | Hardware: Stop Nut |
| - | AK58-00370-0000 | 1 | Leveler Assembly |
| - | 0K58-01110-0000 | 1 | Leveler Foot |
| - | 0017-00104-0190 | 4 | Hardware: Flat Washer 0.734" OD |
| - | 0017-00101-1652 | 4 | Hardware: Spring Mounting Screw 1" |

Lift Frame, Lift Motor, And IEC Receptacle



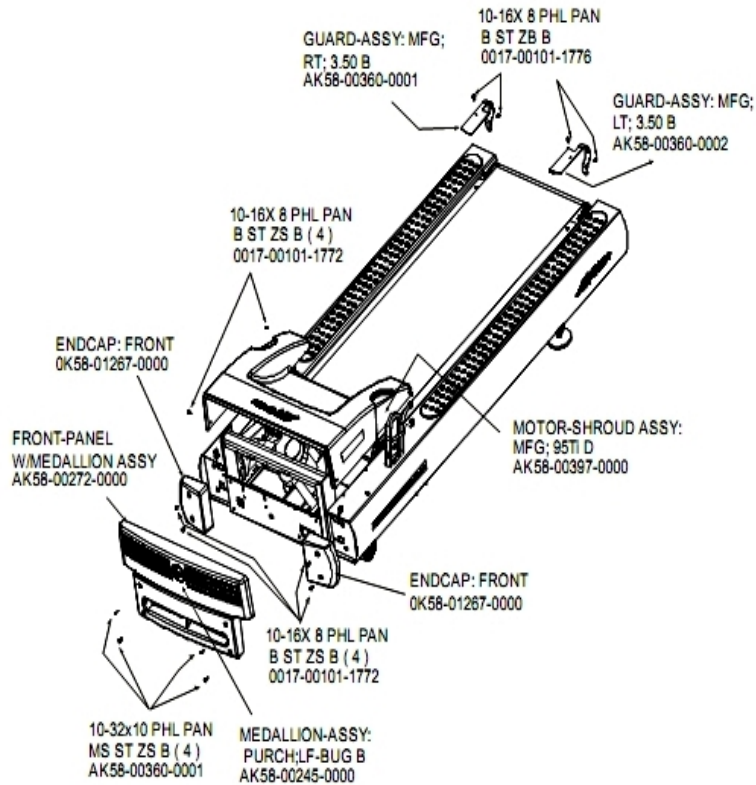
| Ref # | Part Number | Qty | Description |
|-------|-----------------|-----|--|
| - | AK58-00220-0000 | 1 | LIFT-FRAME ASSY: MFG. C |
| - | 0K58-01062-0000 | 1 | Lift Motor - 120/60 |
| - | 0K58-01420-0000 | 1 | Lower Receptacle Bracket |
| - | 0K58-01089-0000 | 2 | Bronze Sleeve Bushings |
| - | 0017-00042-0840 | 1 | Hardware: Push Mount Clip |
| - | 0K58-01071-0000 | 2 | Wheel |
| - | 0017-00101-1612 | 2 | Hardware: Phillips Screw 0.5" |
| - | 0017-00007-0214 | 1 | Hardware: Clevis Pin 3/8" D 1.75" L |
| - | 0017-00042-1075 | 1 | Vinyl Cap |
| - | 0017-00104-0259 | 2 | Hardware: Washer 1.331" OD |
| - | 0017-00103-0025 | 1 | Hardware: Locking Nut 3/8" ID |
| - | 0017-00101-1021 | 1 | Hardware: Lift Motor Hex Bolt 2.5" |
| - | 0017-00042-1076 | 4 | Lift Frame End Cap |
| - | 0017-00103-0285 | 2 | Hardware: Nut 5/8" ID |
| - | 0017-00101-1723 | 8 | Hardware: Phillips Pan Screw 0.375" |
| - | AK58-00514-0000 | 1 | Receptacle Assembly |
| - | 0017-00007-0208 | 1 | Hardware: Cotter Pin |
| - | 0017-00101-1777 | 2 | Hardware: Lift Frame Mounting Bolt 2.75" |
| - | 0017-00104-0189 | 2 | Hardware: Flat Washer 1" OD |
| - | 0K58-01419-0000 | 1 | Line Cord Socket Bracket |
| - | 0K58-01322-0000 | 2 | Lift Frame Pivot Cover |

| Ref # | Part Number | Qty | Description |
|--------------|--------------------|------------|--------------------|
| - | 0017-00003-0949 | 1 | IEC Receptacle |

Line Cords And Line Cord Options

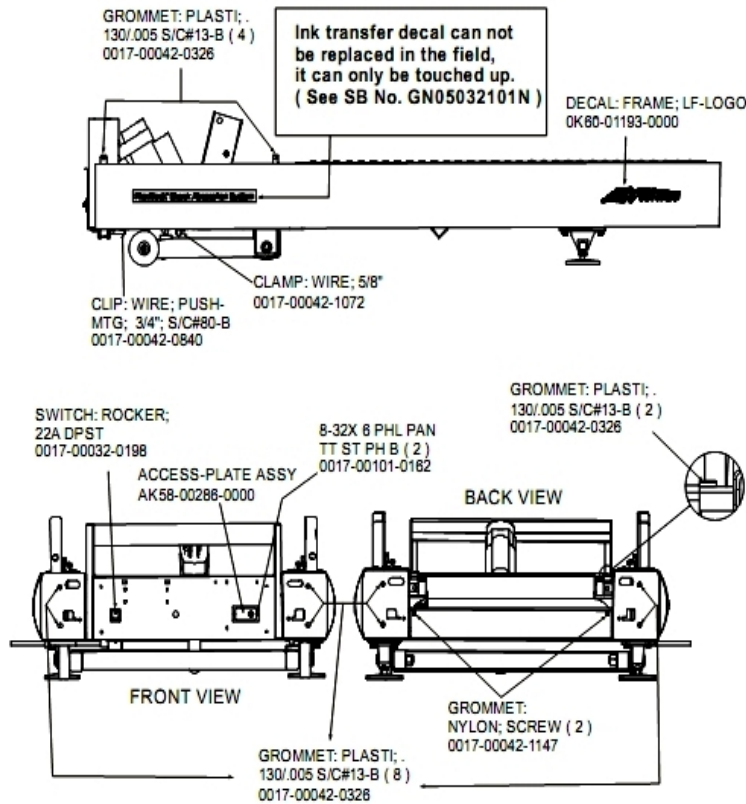
| Ref # | Part Number | Qty | Description |
|-------|-----------------|-----|---------------------------------------|
| - | 0017-00003-0948 | 1 | 12' 220v Line Cord |
| - | 0017-00003-0981 | 1 | LINE-CORD: R/A; with PLUG 220/60 7.5' |
| - | 0017-00003-0980 | 1 | Line Cord: US Low Voltage 144" |
| - | 0017-00003-0890 | 1 | Line Cord: UK |

Motor Cover, Front Cover And Front End Caps



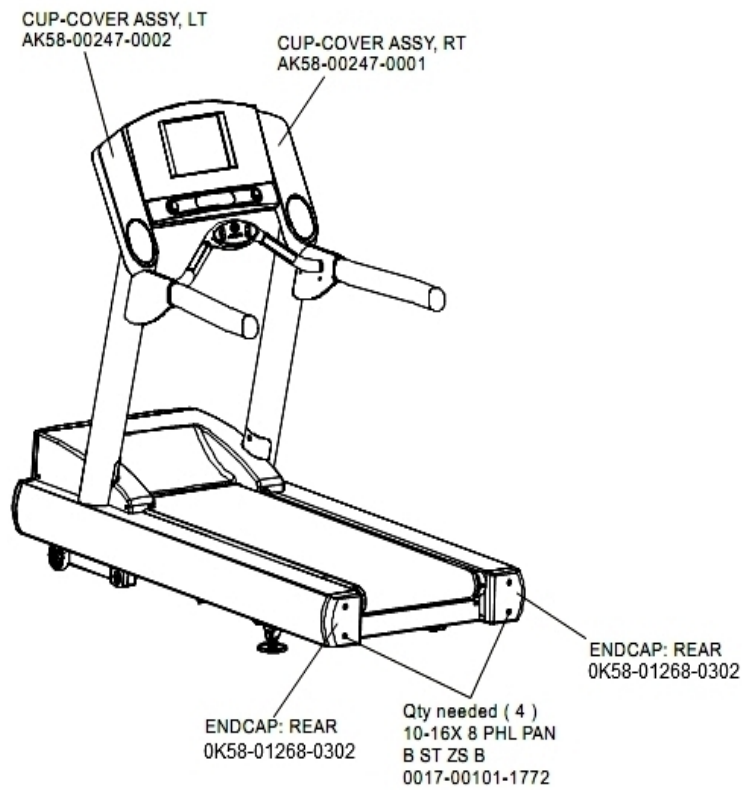
| Ref # | Part Number | Qty | Description |
|-------|-----------------|-----|-----------------------------------|
| - | AK58-00360-0001 | 5 | Rear Roller Guard: Right |
| - | AK58-00397-0000 | 1 | Motor Shroud |
| - | 0017-00101-1772 | 8 | Hardware: Phillips Pan Screw 0.5" |
| - | AK58-00245-0000 | 1 | Bug Medallion |
| - | AK58-00360-0002 | 1 | Rear Roller Guard: Left |
| - | OK58-01267-0000 | 2 | End Cap |
| - | AK58-00272-0000 | 1 | Front Panel with Medallion |
| - | 0017-00101-1776 | 1 | Hardware: Mounting Screw 0.5" |

On-Off Switch, Access Plate And Grommets



| Ref # | Part Number | Qty | Description |
|-------|-----------------|-----|-----------------------------|
| - | 0017-00101-0162 | 2 | Hardware: Screw 0.375" |
| - | AK58-00286-0000 | 1 | Access Plate |
| - | 0017-00042-0840 | 1 | Hardware: Push Mount Clip |
| - | OK60-01193-0000 | 2 | Decal: LF Logo |
| - | 0017-00032-0198 | 1 | On/Off Switch 22A |
| - | 0017-00042-0326 | 14 | Hardware: Plastic Grommet |
| - | 0017-00042-1147 | 2 | Hardware: Nylon Grommet |
| - | 0017-00042-1072 | 1 | Hardware: Wire Clamp - 5/8" |

Rear End Caps And Cup Holders



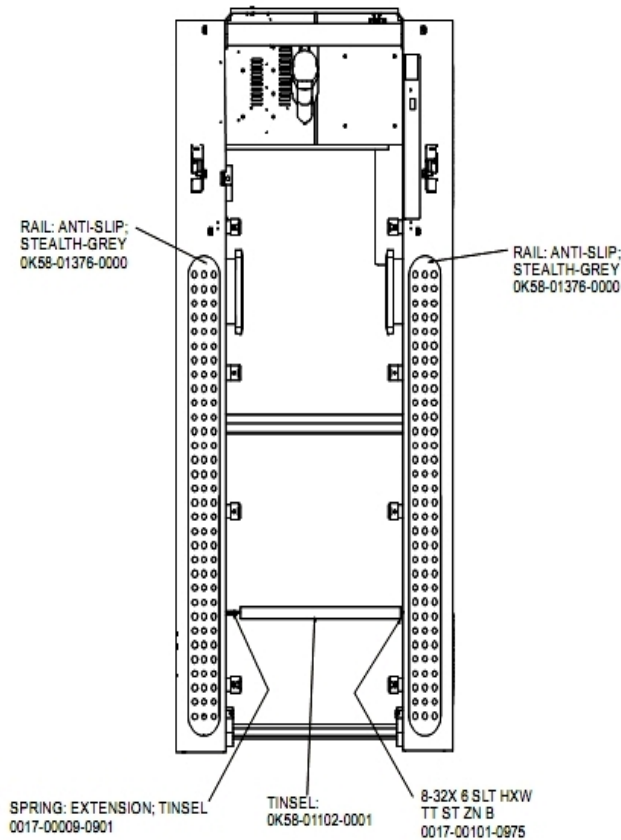
| Ref # | Part Number | Qty | Description |
|-------|-----------------|-----|-----------------------------------|
| - | OK58-01268-0302 | 2 | ENDCAP: REAR; STEALTH D |
| - | AK58-00247-0002 | 1 | Cup Holder Left |
| - | 0017-00101-1772 | 4 | Hardware: Phillips Pan Screw 0.5" |
| - | AK58-00247-0001 | 1 | Cup Holder Right |

References

| Ref # | Part Number | Qty | Description |
|-------|-----------------|-----|---|
| - | AK58-00226-0000 | 1 | Hardware Bag |
| - | AK58-00360-0001 | 1 | Rear Roller Guard: Right |
| - | 0017-00008-0204 | 1 | Paint Spray Can - Arctic Silver |
| - | 0017-00042-0840 | 5 | Hardware: Push Mount Clip |
| - | 0017-00101-1770 | 6 | Hardware: Phillips Pan Screw 0.5" |
| - | 0K58-01376-0000 | 2 | Anti-Scuff Pad |
| - | 0017-00101-1772 | 6 | Hardware: Phillips Pan Screw 0.5" |
| - | 0K58-01347-0000 | 2 | ErgoBar Gasket |
| - | AK58-00360-0002 | 1 | Rear Roller Guard: Left |
| - | 0017-00101-1778 | 4 | Hardware: Hex Bolt 1" |
| - | 0017-00008-0206 | 1 | .33oz Pen - Arctic Silver |
| - | 0017-00042-0326 | 4 | Hardware: Plastic Grommet |
| - | 0017-00042-1147 | 2 | Hardware: Nylon Grommet |
| - | 0017-00103-0327 | 4 | Hardware: Hex Nut 5/16" ID |
| - | 0K58-01305-0002 | 2 | Upright Plug |
| - | 0017-00008-0211 | 1 | Paint: Shadow-Gray Touch Up: .6 OZ Bottle |
| - | 0017-00101-1774 | 4 | Hardware: TORX Screw 2.5" |
| - | 0017-00101-1780 | 8 | Hardware: Mounting Screws |
| - | GK58-00002-0071 | 1 | Anti-Slip Rail |
| - | 0017-00008-0210 | 1 | Paint: Shadow-Gray Touch Up: .6 OZ Bottle |
| - | 0017-00101-1776 | 4 | Hardware: Mounting Screw 0.5" |

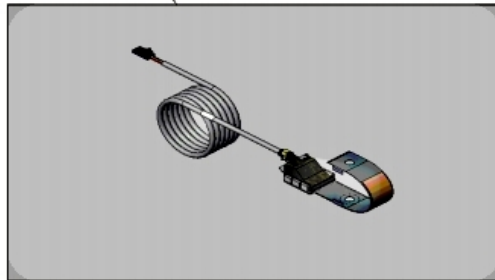
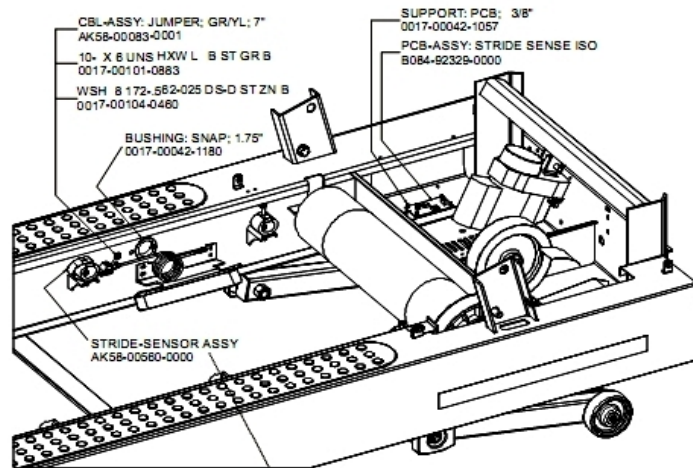
| Ref # | Part Number | Qty | Description |
|-------|-----------------|-----|--------------------------------------|
| - | 0017-00101-1773 | 6 | Hardware: TORX Screw 0.5" |
| - | 0017-00009-1049 | 1 | Torx Wrench |
| - | 0017-00104-0325 | 4 | Hardware: Washer 0.873" OD |
| - | 0017-00008-0205 | 1 | 5 oz Bottle - Arctic Silver |
| - | M051-00K58-B128 | 1 | Service Instructions - Roller Guards |

Scuff Pad And Tinsel



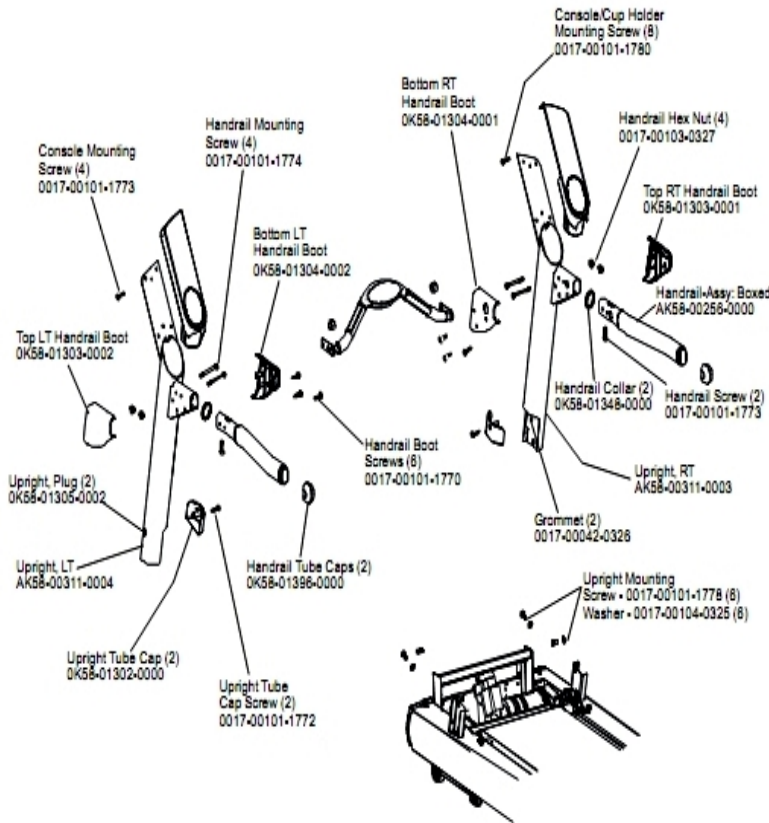
| Ref # | Part Number | Qty | Description |
|-------|-----------------|-----|--------------------------------|
| - | 0017-00009-0901 | 1 | Tinsel Extension Spring |
| - | OK58-01376-0000 | 3 | Anti-Scuff Pad |
| - | 0017-00101-0975 | 1 | Hardware: Mounting Bolt 0.375" |
| - | OK58-01102-0001 | 1 | Anti-Static Tinsel |

Stride Sensor And Stride Sensor PCB



| Ref # | Part Number | Qty | Description |
|-------|-----------------|-----|--|
| - | AK58-00083-0001 | 1 | Jumper Cable Assembly: Green/Yellow - 7" |
| - | 0017-00101-0883 | 1 | Hardware: Screw 0.375" |
| - | AK58-00560-0000 | 1 | Stride Sensor Assembly |
| - | 0K58-01256-0001 | 2 | Insulating Pad |
| - | 0017-00042-1057 | 1 | Support: Printed Circuit Board; 3/8" |
| - | 0017-00104-0460 | 1 | Hardware: Lockwasher 0.562" OD |
| - | B084-92329-0000 | 1 | PCB-ASSY: STRIDE SENSE ISO |
| - | 0017-00042-1180 | 1 | Hardware: Snap Bushing - 1.75" |

Uprights And Handrails



| Ref # | Part Number | Qty | Description |
|-------|-----------------|-----|-----------------------------------|
| - | 0017-00101-1773 | 6 | Hardware: TORX Screw 0.5" |
| - | 0017-00104-0325 | 6 | Hardware: Washer 0.873" OD |
| - | OK58-01396-0000 | 2 | Endcap |
| - | OK58-01303-0002 | 1 | Top Left Handrail Boot |
| - | OK58-01304-0001 | 1 | Bottom Right Handrail Boot |
| - | OK58-01304-0002 | 1 | Bottom Left Handrail Boot |
| - | 0017-00101-1772 | 2 | Hardware: Phillips Pan Screw 0.5" |
| - | OK58-01303-0001 | 1 | Top Right Handrail Boot |
| - | 0017-00101-1778 | 6 | Hardware: Hex Bolt 1" |
| - | 0017-00042-0326 | 2 | Hardware: Plastic Grommet |
| - | 0017-00103-0327 | 4 | Hardware: Hex Nut 5/16" ID |
| - | OK58-01302-0103 | 2 | Cap: Upright Tube; Arctic Silver |
| - | OK58-01305-0002 | 2 | Upright Plug |
| - | AK58-00256-0001 | 1 | Handrail |
| - | AK58-00311-0004 | 1 | Upright: Left |
| - | 0017-00101-1774 | 4 | Hardware: TORX Screw 2.5" |
| - | 0017-00101-1780 | 8 | Hardware: Mounting Screws |
| - | AK58-00311-0003 | 1 | Upright: Right |
| - | OK58-01348-0000 | 2 | Handrail Collar |
| - | 0017-00101-1770 | 6 | Hardware: Phillips Pan Screw 0.5" |

