

95Te Treadmill w/Integrated LCD screen

95TE-0120-01

Parts Manual

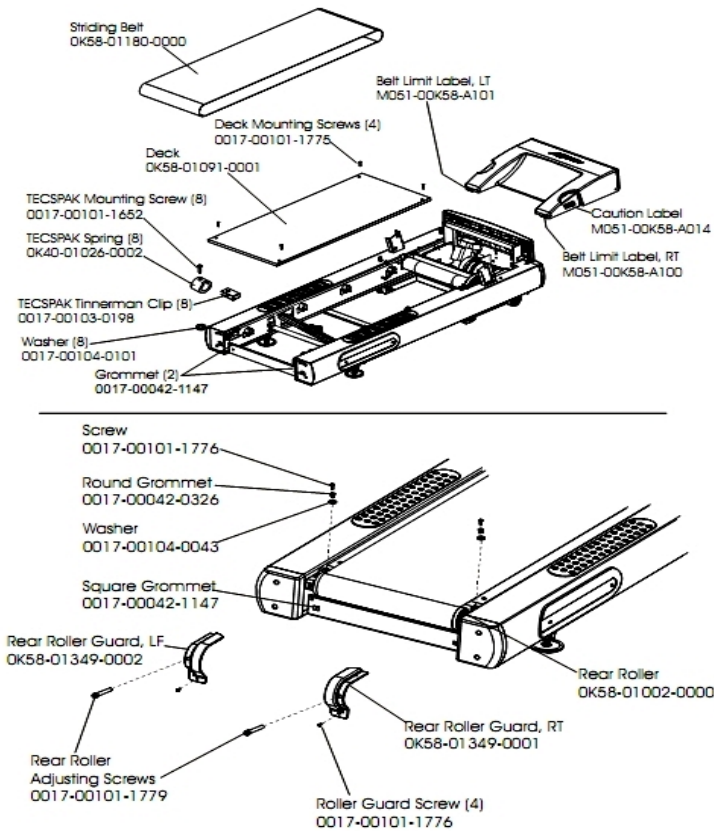
1/5/2019 10:56:13 AM



Table of Contents

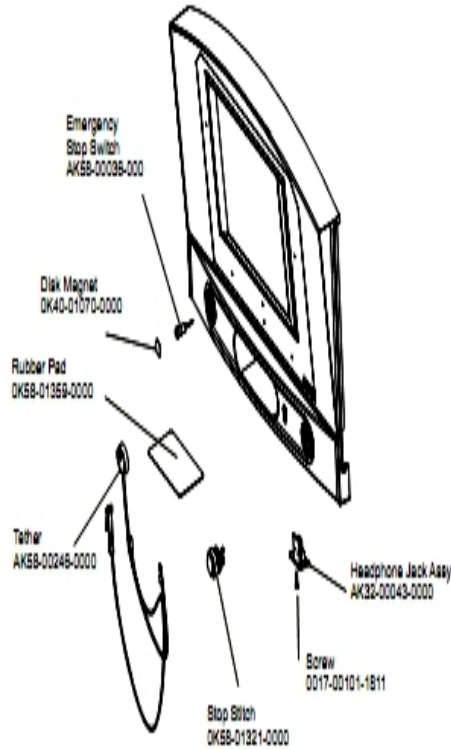
Belt, Deck, And Rear Roller.....	3
Cables.....	4
Console Assembly.....	5
Console Components.....	6
Covers, End Caps, And Hardware.....	8
Drive Motor Assembly.....	9
Ergo Bar WithLifepulse.....	10
Frame Assembly.....	11
Front Roller Assembly.....	12
Handrail Assembly.....	13
Idler Arm Assembly And Static Brush.....	14
Leveler Assembly.....	15
Lift Motor And Frame.....	16
Miscellaneous.....	17
Motor Controller Assembly.....	18
Power Components.....	19
Wax Components.....	20
Wax/Lift Assembly.....	21

Belt, Deck, And Rear Roller



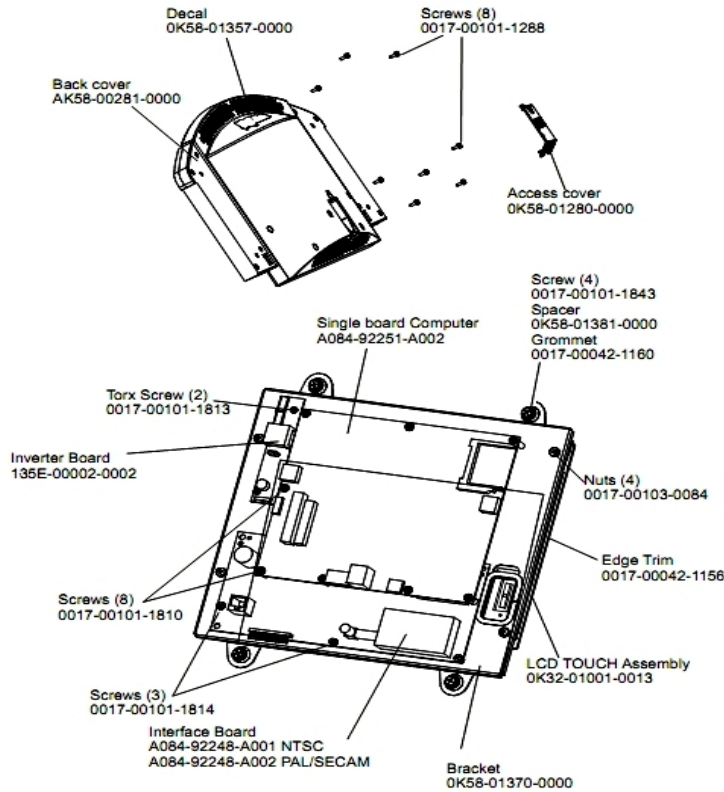
Ref #	Part Number	Qty	Description
-	0017-00101-1775	4	Hardware: Deck Screws 1.25"
-	M051-00K58-A101	1	Belt Limit Label. Left
-	0K58-01349-0001	1	Rear Roller Guard Right
-	0017-00103-0198	8	Hardware: Tinnerman Clip 1/4" ID
-	0K58-01180-0000	1	Striding Belt
-	M051-00K58-A100	1	Label: Belt Limit: Right
-	0017-00101-1779	1	Hardware: Rear Roller Adjusting Bolt
-	0K58-01349-0002	1	Rear Roller Guard Left
-	0017-00101-1652	8	Hardware: Spring Mounting Screw 1"
-	0017-00042-0326	2	Hardware: Plastic Grommet
-	0017-00042-1147	4	Hardware: Nylon Grommet
-	0017-00104-0043	2	Hardware: Flat Washer 0.734" OD
-	0017-00104-0101	8	Hardware: Flat Washer 0.437" OD
-	0K58-01002-0000	1	Rear Roller - 3.5"
-	0K58-01091-0001	1	Deck
-	M051-00K58-A014	1	Label: Caution
-	0017-00101-1776	6	Hardware: Mounting Screw 0.5"
-	0K40-01026-0002	8	Deck Spring

Console Assembly



Ref #	Part Number	Qty	Description
-	OK58-01359-0000	1	Rubber Pad
-	OK58-01321-0000	1	Stop Switch
-	0017-00101-1811	1	Hardware: Phillips Pan Screw 0.625"
-	GK58-00002-0077	1	Service Kit: LCD Console NTSC English
-	GK58-00002-0077	1	Service Kit: LCD Console NTSC English
-	GK58-00002-0077	1	Service Kit: LCD Console NTSC English
-	GK58-00002-0077	1	Service Kit: LCD Console NTSC English
-	GK58-00002-0077	1	Service Kit: LCD Console NTSC English
-	GK58-00002-0077	1	Service Kit: LCD Console NTSC English
-	GK58-00002-0077	1	Service Kit: LCD Console NTSC English
-	GK58-00002-0077	1	Service Kit: LCD Console NTSC English
-	GK58-00002-0077	1	Service Kit: LCD Console NTSC English
-	OK40-01070-0000	1	Magnetic Disk
-	AK58-00322-0000	1	Tether Stop Assembly
-	AK58-00516-0001	1	Bezel Switch with Overlay: English
-	AK58-00036-0000	1	Cable-Assembly: Emergency-Stop Switch
-	AK32-00043-0000	1	Headphone Jack

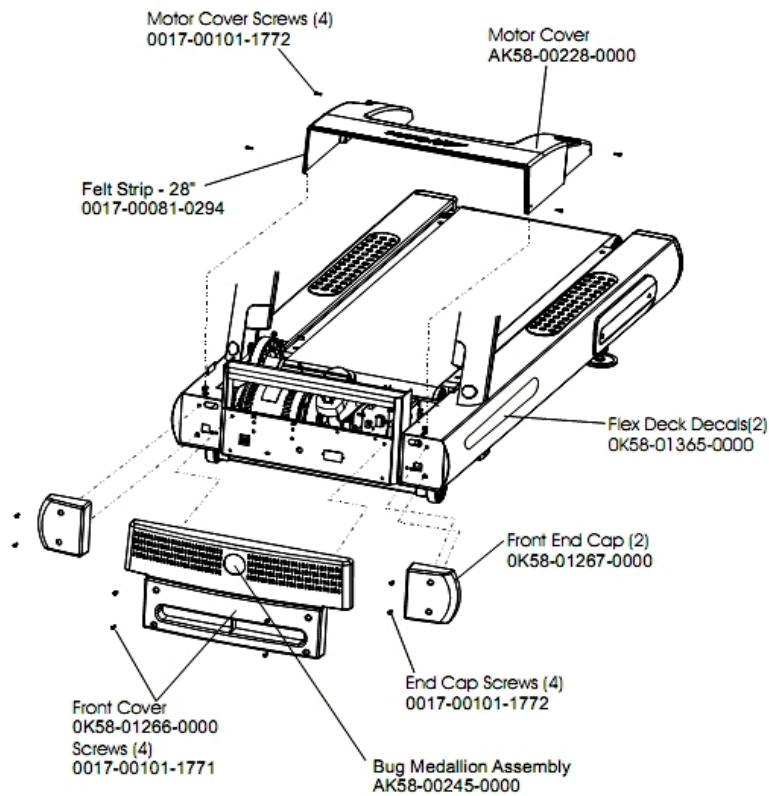
Console Components



Ref #	Part Number	Qty	Description
-	0K32-01001-0013	1	LCD Touchscreen Assembly
-	0K58-01357-0000	1	Decal
-	0017-00101-1813	2	Hardware: Inverter Board Screw
-	0017-00042-1156	1	Edge Trim
-	A084-92251-A002	1	Single Board Computer
-	GK32-00002-0004	1	Inverter Board
-	0K58-01381-0000	1	Shoulder Bushing
-	0K32-01001-0013	1	LCD Touchscreen Assembly
-	0K32-01001-0013	1	LCD Touchscreen Assembly
-	0K58-01280-0000	1	Accessory Cover
-	AK58-00281-0000	1	Console Back Cover
-	A084-92248-A007	1	Interface Boards NTSC
-	A084-92248-A007	1	Interface Boards NTSC
-	0017-00101-1843	4	Hardware: Screw
-	0017-00042-1160	1	Grommet
-	A084-92248-A007	1	Interface Boards NTSC
-	0K58-01370-0000	1	Bracket
-	0017-00103-0084	4	Hardware: Nut
-	0017-00101-1810	8	Hardware: Screw
-	A084-92248-A007	1	Interface Boards NTSC
-	0017-00101-1814	3	Hardware: Screw
-	0017-00101-1288	8	Hardware: Phillips Screw 0.5"

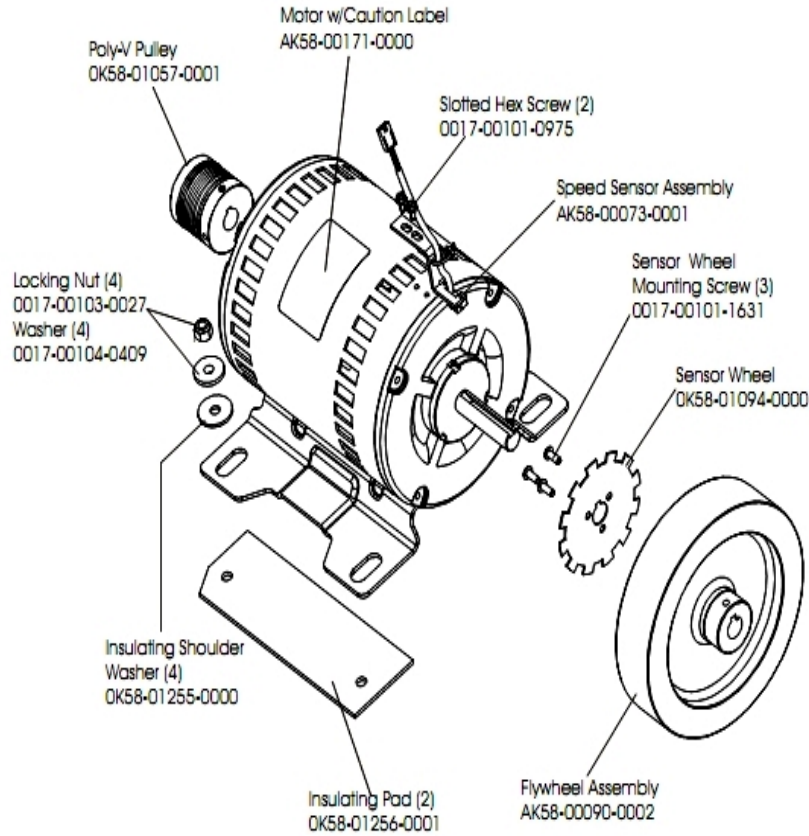
Ref #	Part Number	Qty	Description
-	0K32-01001-0013	1	LCD Touchscreen Assembly

Covers, End Caps, And Hardware



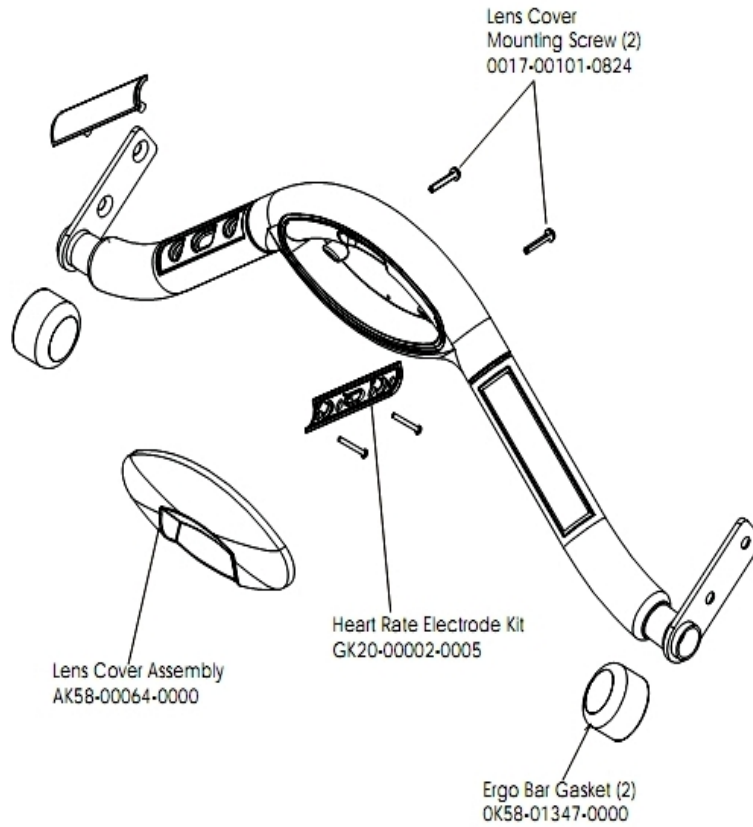
Ref #	Part Number	Qty	Description
-	0017-00101-1772	8	Hardware: Phillips Pan Screw 0.5"
-	AK58-00245-0000	1	Bug Medallion
-	0017-00081-0294	1	Felt Strip - 28"
-	OK58-01267-0000	2	End Cap
-	OK58-01266-0000	1	Front Cover
-	AK58-00228-0000	1	Motor Cover
-	0017-00101-1771	4	Hardware: Phillips Pan Screw
-	OK58-01365-0000	2	Decal

Drive Motor Assembly



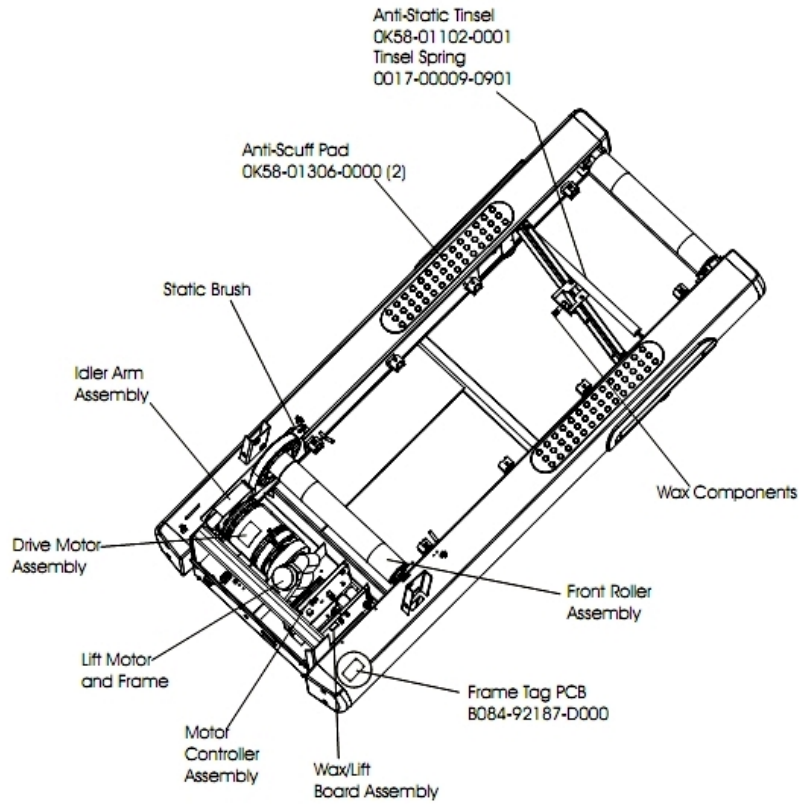
Ref #	Part Number	Qty	Description
-	0017-00101-0975	2	Hardware: Mounting Bolt 0.375"
-	0017-00103-0027	4	Hardware: Locking Nut. 5/16" ID
-	OK58-01057-0001	1	Drive Pulley - 1.971"
-	AK58-00171-0000	1	Motor with Caution Label
-	OK58-01255-0000	4	Hardware: Insulating Washers
-	0017-00104-0409	4	Hardware: Washer 1.125" OD
-	OK58-01094-0000	1	Sensor Wheel
-	AK58-00090-0002	1	Flywheel Assembly
-	OK58-01256-0001	2	Insulating Pad
-	0017-00101-1631	3	Hardware: Sensor Wheel Mounting Screw
-	AK58-00073-0001	1	Speed Sensor Assembly

Ergo Bar WithLifepulse



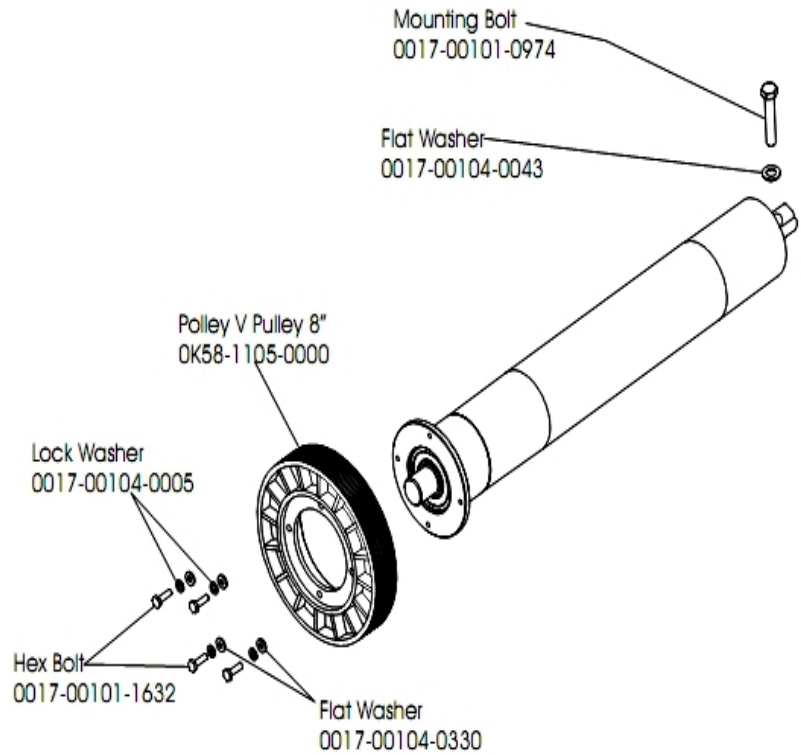
Ref #	Part Number	Qty	Description
-	AK58-00064-0000	1	I/R Lens Cover Assembly
-	0017-00101-0824	2	Hardware: Screw 1.125"
-	0K58-01347-0000	2	ErgoBar Gasket
-	GK20-00002-0005	2	Heart Rate Electrode Kit

Frame Assembly



Ref #	Part Number	Qty	Description
-	0017-00009-0901	1	Tinsel Extension Spring
-	OK58-01376-0000	2	Anti-Scuff Pad
-	OK58-01102-0001	1	Anti-Static Tinsel
-	B084-92187-D000	1	Frame Tag PCB

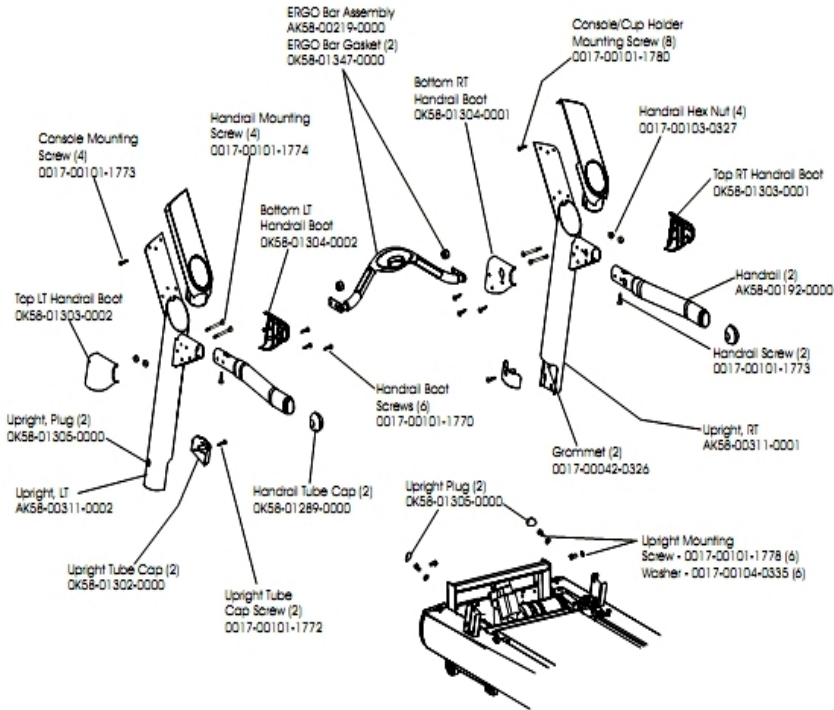
Front Roller Assembly



Ref #	Part Number	Qty	Description
-	0017-00104-0330	2	Hardware: Flat Washers 0.562" OD
-	AK58-00066-0000	1	Front Roller Assembly
-	0017-00104-0005	2	Hardware: Lock Washer 0.489" OD
-	0017-00104-0043	1	Hardware: Flat Washer 0.734" OD
-	0017-00101-1632	2	Hardware: Hex Bolt 0.875"
-	0017-00101-0974	1	Hardware: Mounting Bolt 2"
-	OK58-01105-0000	1	Drive Pulley Poly V - 8"

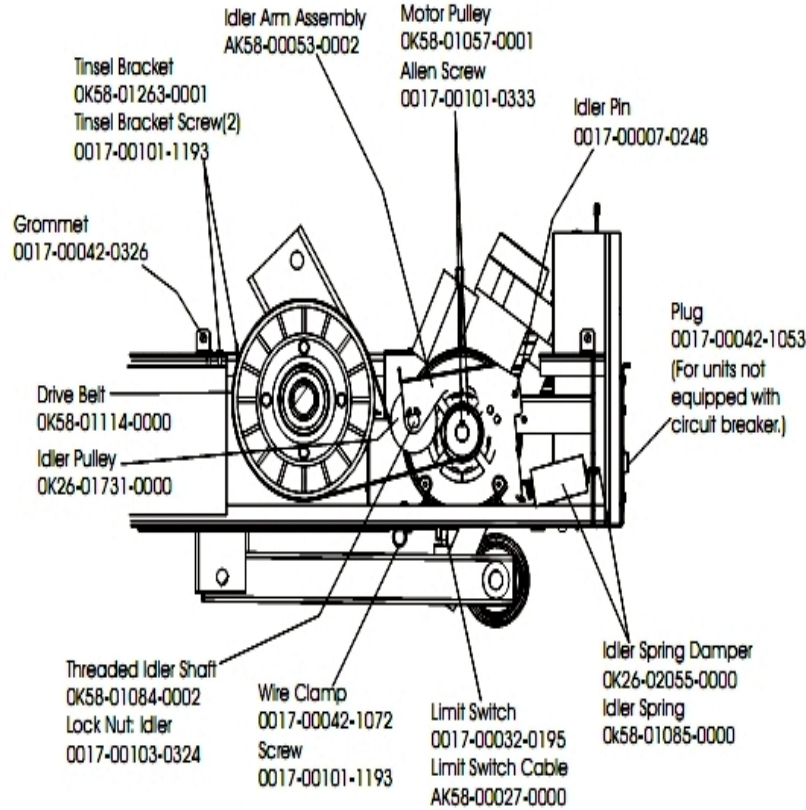
Handrail Assembly

**Hardware Bag Assembly
AK58-00226-0000**



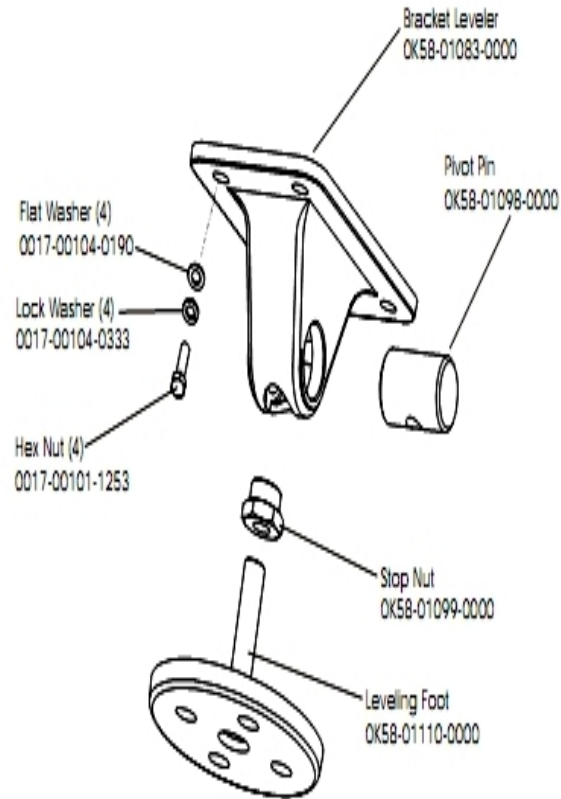
Ref #	Part Number	Qty	Description
-	0017-00101-1773	6	Hardware: TORX Screw 0.5"
-	AK58-00311-0003	1	Upright: Right
-	0017-00101-1770	6	Hardware: Phillips Pan Screw 0.5"
-	0K58-01396-0000	2	Endcap
-	0K58-01303-0002	1	Top Left Handrail Boot
-	0K58-01304-0001	1	Bottom Right Handrail Boot
-	0K58-01304-0002	1	Bottom Left Handrail Boot
-	AK58-00219-0000	1	Ergo Bar with Heart Rate Sensors
-	0017-00101-1772	2	Hardware: Phillips Pan Screw 0.5"
-	0K58-01303-0001	1	Top Right Handrail Boot
-	0K58-01347-0000	2	ErgoBar Gasket
-	0017-00042-0326	2	Hardware: Plastic Grommet
-	0017-00103-0327	4	Hardware: Hex Nut 5/16" ID
-	0K58-01302-0103	2	Cap: Upright Tube; Arctic Silver
-	0K58-01305-0002	4	Upright Plug
-	AK58-00256-0001	2	Handrail
-	AK58-00311-0004	1	Upright: Left
-	0017-00101-1778	6	Hardware: Hex Bolt 1"
-	0017-00101-1774	4	Hardware: TORX Screw 2.5"
-	0017-00101-1780	8	Hardware: Mounting Screws
-	0017-00104-0335	6	Hardware: Handrail Washer
-	AK58-00226-0000	1	Hardware Bag

Idler Arm Assembly And Static Brush



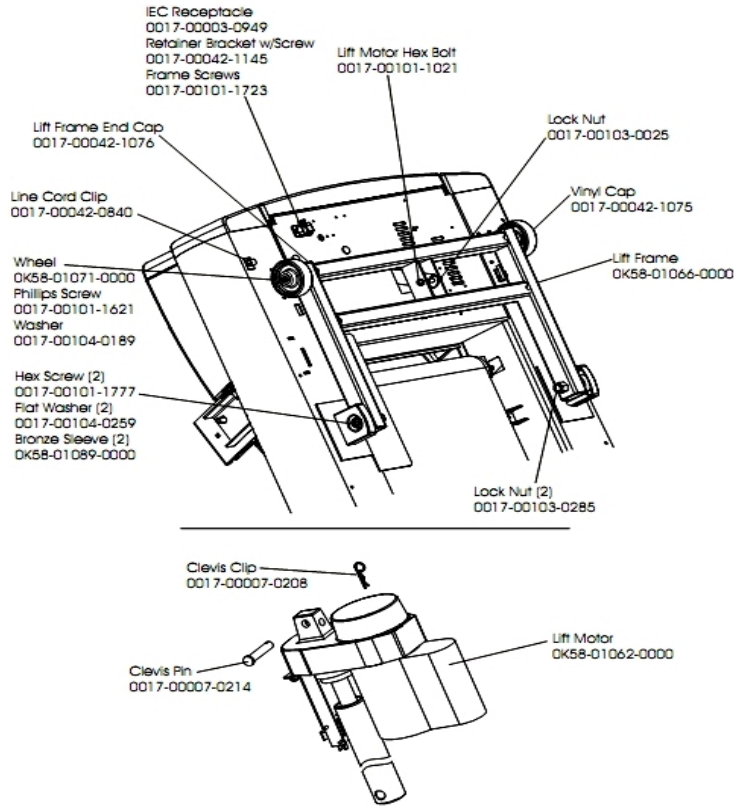
Ref #	Part Number	Qty	Description
-	OK58-01057-0001	1	Drive Pulley - 1.971"
-	0017-00042-1053	1	Plug (For units not equipped with circuit breaker.)
-	0017-00103-0324	1	Hardware: Thin Lock Nut 3/8" ID
-	AK58-00027-0000	1	Limit Switch Cable
-	OK26-01731-0000	1	Plastic Idler 2 5/8" OD
-	OK26-02055-0000	1	Spring Damper
-	0017-00032-0195	1	Home Switch
-	0017-00042-1072	1	Hardware: Wire Clamp - 5/8"
-	0017-00007-0248	1	Hardware: Locking Pin .31" D 2.125" L
-	0017-00042-0326	1	Hardware: Plastic Grommet
-	0017-00101-1193	3	Hardware: Screw 0.375"
-	OK58-01114-0000	1	Poly-V Drive Belt - 370J12
-	OK58-01084-0002	1	Threaded Shaft
-	0017-00101-0333	1	Hardware: Screw 0.3125"
-	AK58-00053-0002	1	Idler Arm Assembly
-	OK58-01085-0000	1	Extension Spring
-	OK58-01263-0001	1	Tinsel Bracket

Leveler Assembly



Ref #	Part Number	Qty	Description
-	OK58-01098-0000	1	Hardware: Pivot Pin
-	OK58-01099-0000	1	Hardware: Stop Nut
-	0017-00104-0190	4	Hardware: Flat Washer 0.734" OD
-	AK58-00370-0000	1	Leveler Assembly
-	OK58-01083-0000	1	Leveler Bracket
-	OK58-01110-0000	1	Leveler Foot
-	0017-00104-0333	4	Hardware: Washer 0.683" OD
-	0017-00101-1253	4	Hardware: Screw

Lift Motor And Frame

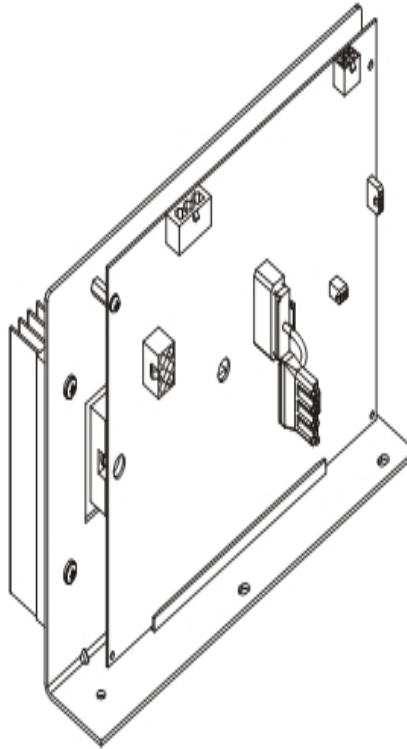


Ref #	Part Number	Qty	Description
-	0017-00103-0285	2	Hardware: Nut 5/8" ID
-	0017-00007-0208	1	Hardware: Cotter Pin
-	0017-00101-1621	2	Hardware: Phillips Screw 0.5"
-	0017-00101-1777	2	Hardware: Lift Frame Mounting Bolt 2.75"
-	0017-00104-0189	2	Hardware: Flat Washer 1" OD
-	0017-00101-1723	2	Hardware: Phillips Pan Screw 0.375"
-	0017-00042-1145	1	Power Cord Retainer
-	0017-00101-1021	1	Hardware: Lift Motor Hex Bolt 2.5"
-	0017-00103-0025	1	Hardware: Locking Nut 3/8" ID
-	0017-00104-0259	2	Hardware: Washer 1.331" OD
-	0017-00042-1076	1	Lift Frame End Cap
-	AK58-00220-0000	1	LIFT-FRAME ASSY: MFG. C
-	0K58-01062-0000	1	Lift Motor - 120/60
-	0K58-01089-0000	2	Bronze Sleeve Bushings
-	0017-00042-0840	1	Hardware: Push Mount Clip
-	0K58-01071-0000	2	Wheel
-	0017-00042-1075	1	Vinyl Cap
-	0017-00003-0949	1	IEC Receptacle
-	0017-00007-0214	1	Hardware: Clevis Pin 3/8" D 1.75" L

Miscellaneous

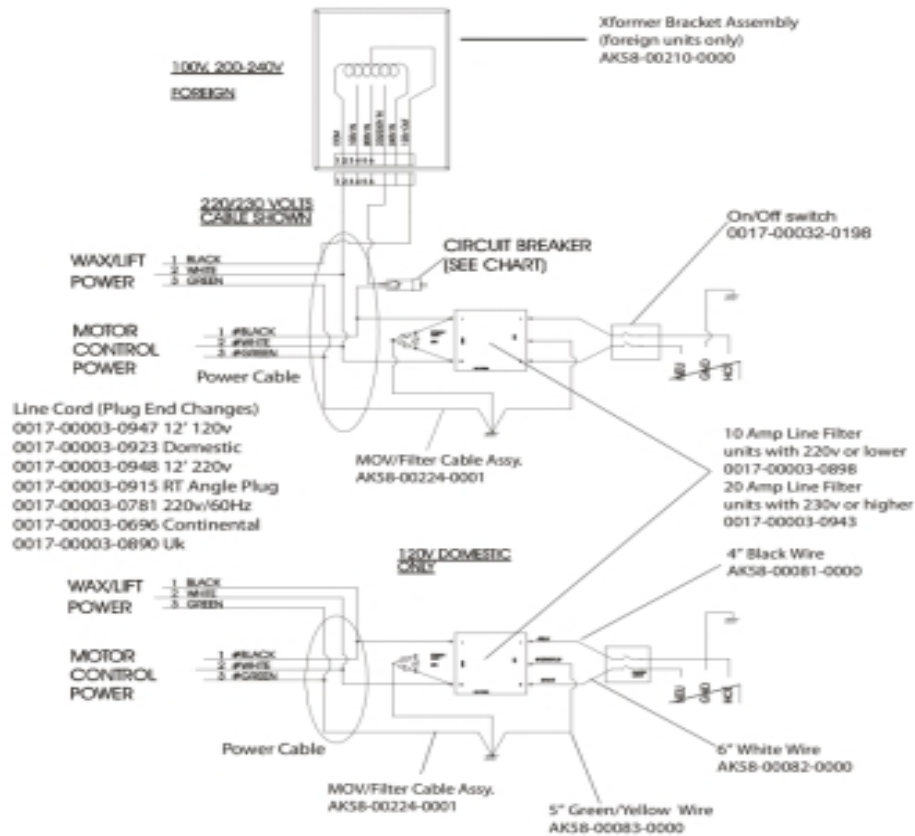
Ref #	Part Number	Qty	Description
-	0017-00008-0197	1	Paint: Silver Bullet; 4.5OZ. Can
-	0017-00008-0199	1	Paint: Stealth Grey; 4.5OZ. Can
-	0017-00008-0196	1	Paint: Silver Bullet; .6OZ. Bottle
-	0017-00008-0198	1	Paint: Stealth Grey; .6OZ. Bottle B

Motor Controller Assembly



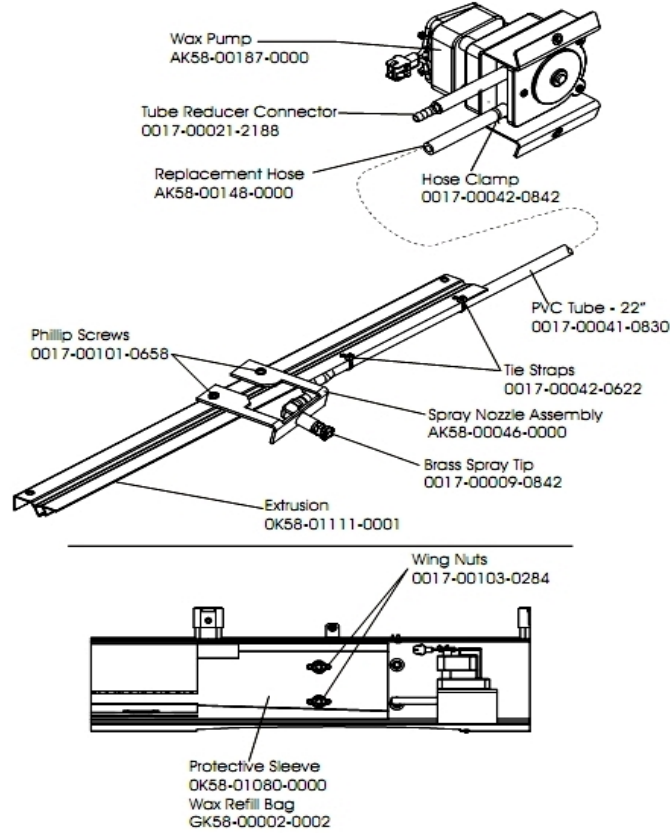
Ref #	Part Number	Qty	Description
-	GK65-00002-0018	2	Kit: Service; Motor Controller; 100-120VA; Display

Power Components



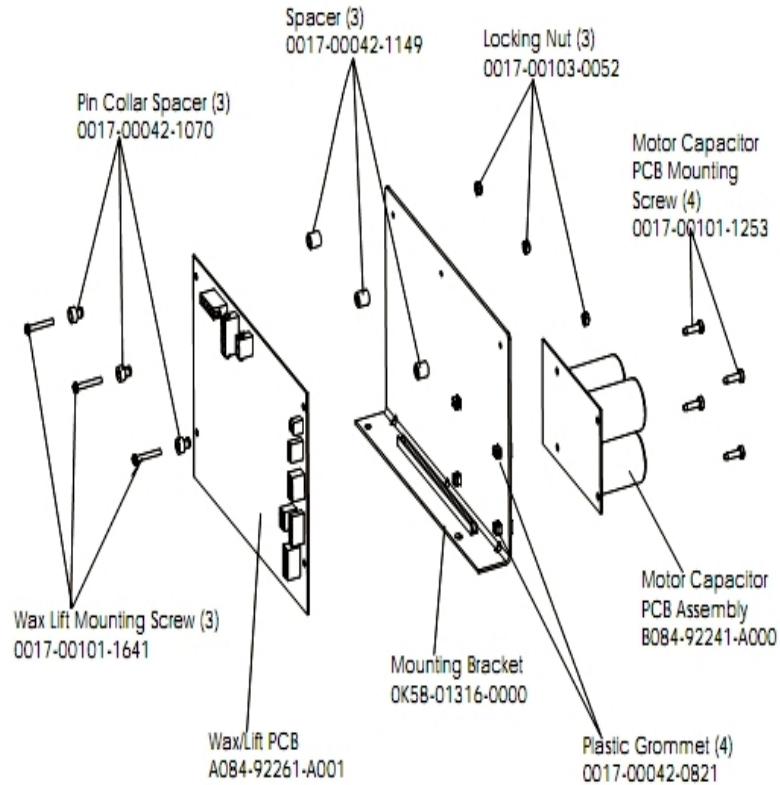
Ref #	Part Number	Qty	Description
-	0017-00003-0943	1	10 Amp Line Filter 230v or higher
-	0017-00003-0974	1	Line Cord: 120V: 8'
-	AK58-00222-0000	1	Power Cable Assembly 120V
-	AK58-00081-0000	1	Jumper Cable Assembly: Black - 4"
-	0017-00032-0198	1	On/Off Switch 22A
-	AK58-00210-0000	1	Transformer-Bracket Assembly
-	AK58-00082-0000	1	Jumper Cable Assembly: White - 6"
-	AK58-00224-0001	2	Cable: MOV; Fliter
-	0017-00003-0915	1	Line Cord RT Angle Plug
-	AK58-00083-0000	1	Cable Assembly
-	0017-00003-0898	1	10 amp Line Filter (INT)
-	0017-00003-0947	1	Line Cord: 120V; 20A; 12'
-	0017-00003-0950	1	100v 4 AMP Breaker

Wax Components



Ref #	Part Number	Qty	Description
-	0K58-01111-0001	1	Extrusion Assembly
-	GK58-00002-0002	1	Wax Refill Bag
-	AK58-00046-0000	1	Spray Nozzle Assembly
-	AK58-00187-0000	1	Wax Pump
-	0K58-01080-0000	1	Protective Sleeve
-	0017-00103-0284	1	Hardware: Wing Nut
-	0017-00101-0658	1	Hardware: Access Panel Screws
-	0017-00042-0842	1	Hose Clamp
-	0017-00042-0622	1	Cable Tie
-	0017-00021-2188	1	Tube Reducer Connector
-	AK58-00148-0000	1	Replacement Hose
-	0017-00009-0842	1	Brass Spray Tip
-	0017-00041-0830	1	TUBING: PVC; REINFORCED B

Wax/Lift Assembly



Ref #	Part Number	Qty	Description
-	0017-00042-1070	3	Pin Collar Spacer
-	0017-00042-1149	3	Spacer
-	0017-00103-0052	3	Hardware: Locking Nut ID
-	B084-92241-A000	1	Motor Capacitor PCB Assembly
-	0017-00101-1253	4	Hardware: Screw
-	A084-92253-A002	1	Wax/Lift PCB
-	OK58-01316-0000	1	Mounting Bracket
-	0017-00101-1641	3	Hardware: Phillips Pan Screw
-	0017-00042-0821	4	Hardware: Plastic Grommet

