

95TE Treadmill - English/Metric 120/60 DOM LCD Class A

95TE-0120-08

Parts Manual

1/5/2019 10:56:14 AM

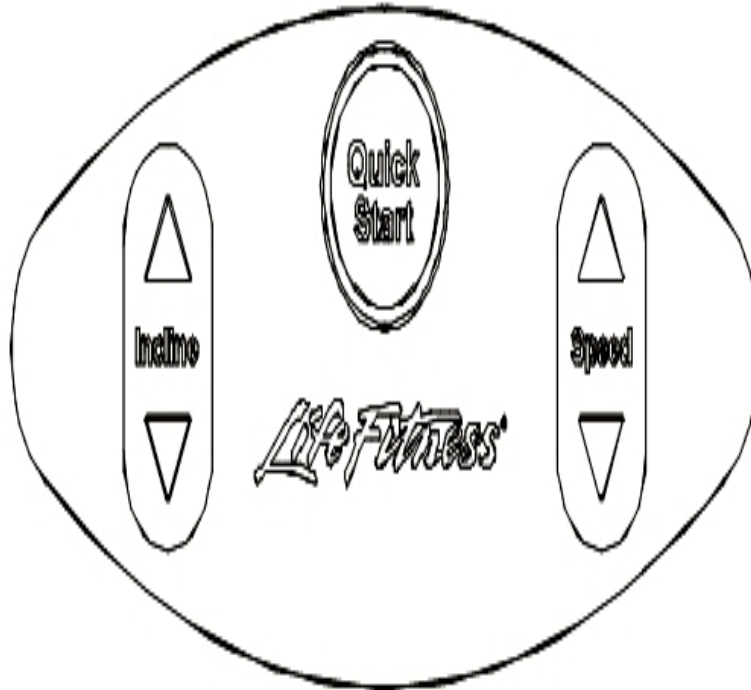


LifeFitness
WHAT WE LIVE FOR

Table of Contents

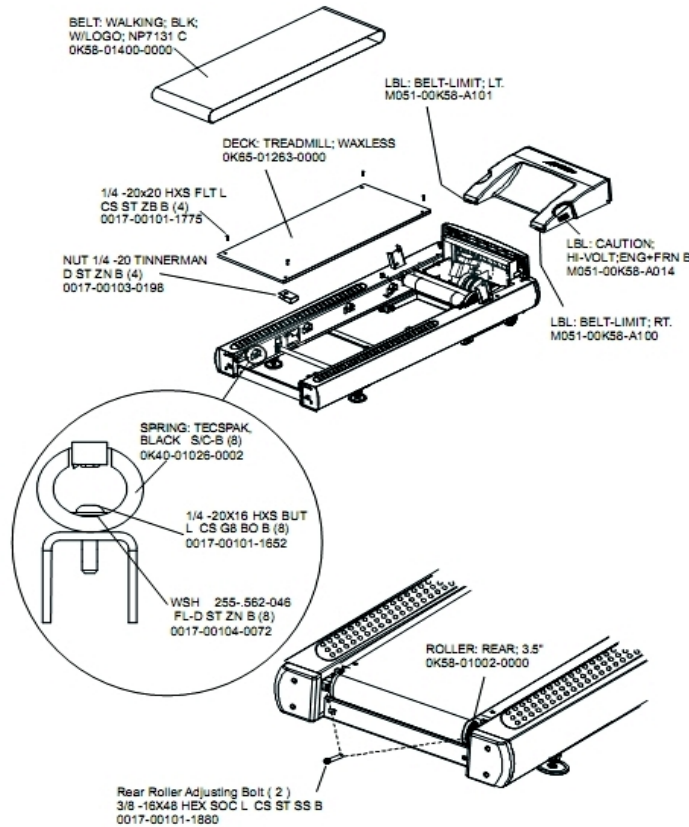
Activity Zone Module With Overlay Assembly	3
Belt, Deck, And Rear Roller	4
Block Diagram 1	5
Block Diagram 2	6
Block Diagram 3	7
Console And Overlay	8
Console Components 1	9
Console Components 2	10
Drive Motor Assembly	11
DSP - Controller	12
Ergo Bar, Heart Rate Sensors And Activity Zone	13
Front Roller Assembly	14
Idler Arm	15
Leg Leveler Assembly	16
Lift Frame, Lift Motor, And IEC Receptacle	17
Line Cords	19
Miscellaneous	20
Motor Cover, Front Cover And Front End Caps	22
On/Off Switch, Access Plate And Grommets	23
Rear End Caps And Cup Holders	24
Scuff Pad And Tinsel	25
Stride Sensor And Stride Sensor Pcb Assemblies	26
Uprights And Handrails	27

Activity Zone Module With Overlay Assembly



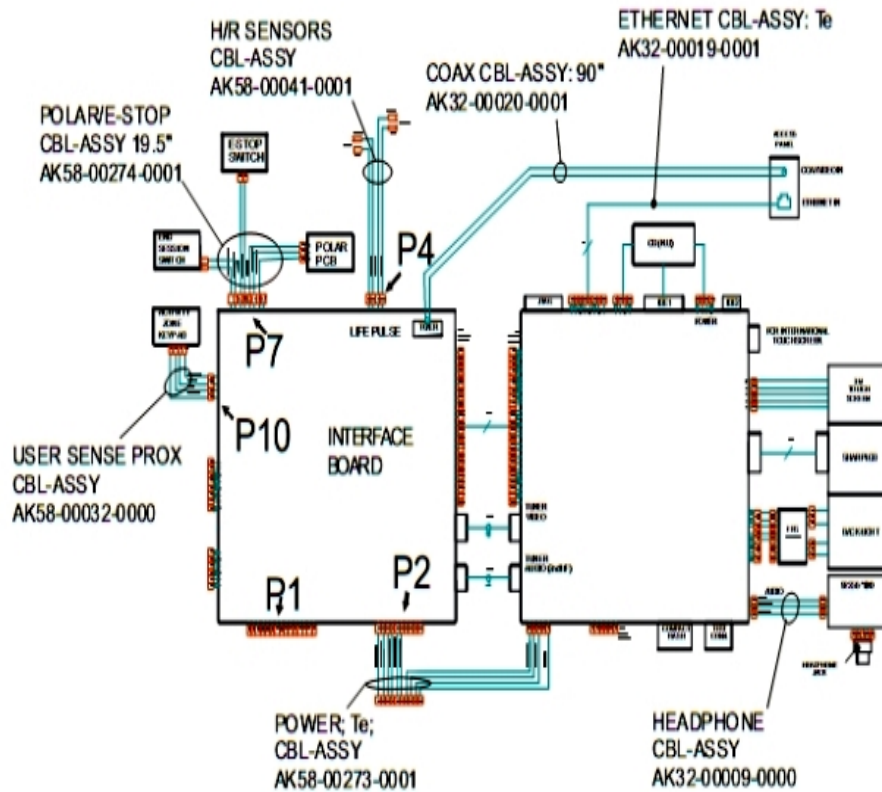
Ref #	Part Number	Qty	Description
-	0K58-01461-0001	1	Activity Zone Overlay English/Metric
-	AK58-00556-0002	1	Activity Zone Assembly: English/Metric

Belt, Deck, And Rear Roller



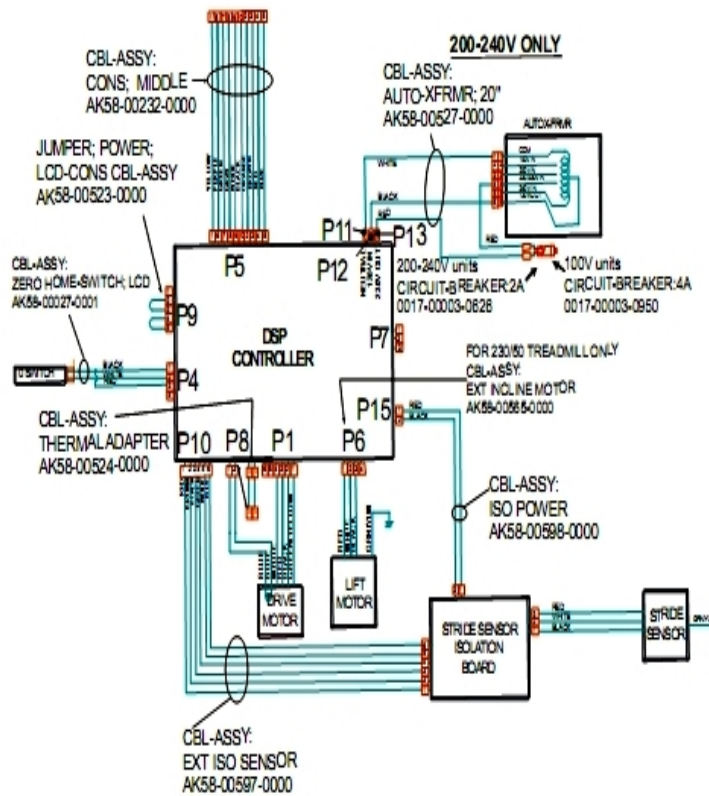
Ref #	Part Number	Qty	Description
-	M051-00K58-A100	1	Label: Belt Limit: Right
-	0K58-01400-0000	1	Striding Belt
-	0K58-01002-0000	1	Rear Roller - 3.5"
-	0K65-01263-0000	1	Deck
-	M051-00K58-A014	1	Label: Caution
-	0K40-01026-0002	8	Deck Spring
-	M051-00K58-A101	1	Belt Limit Label. Left
-	0017-00101-1880	2	Hardware: Tension Bolts 3"
-	0017-00101-1775	4	Hardware: Deck Screws 1.25"
-	0017-00103-0198	4	Hardware: Tinnerman Clip 1/4" ID
-	0017-00104-0072	8	Hardware: Flat Washer 0.562" OD
-	0017-00101-1652	8	Hardware: Spring Mounting Screw 1"

Block Diagram 1



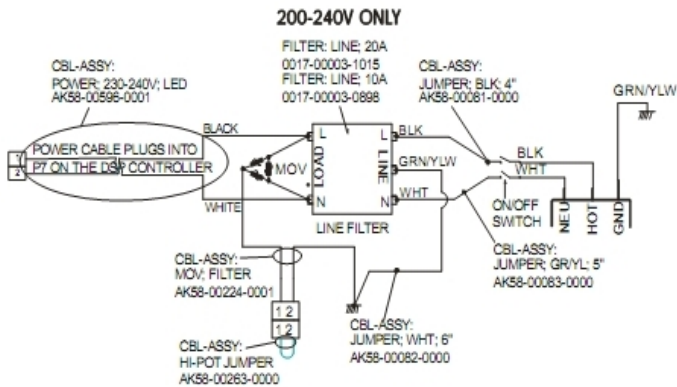
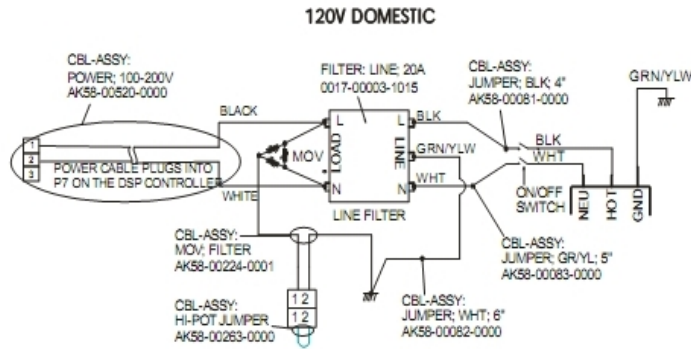
Ref #	Part Number	Qty	Description
-	AK58-00041-0001	1	Heart Rate Sensor Cable
-	AK58-00274-0001	1	Polar and Stop Switches: 19.5"
-	AK58-00273-0001	1	Power Cable
-	AK32-00009-0000	1	Headphone Jack Cable
-	AK32-00019-0001	1	Ethernet Cable
-	AK58-00032-0000	1	User Proximity Sensor Cable
-	AK32-00020-0001	1	Coax Cable: 90"

Block Diagram 2



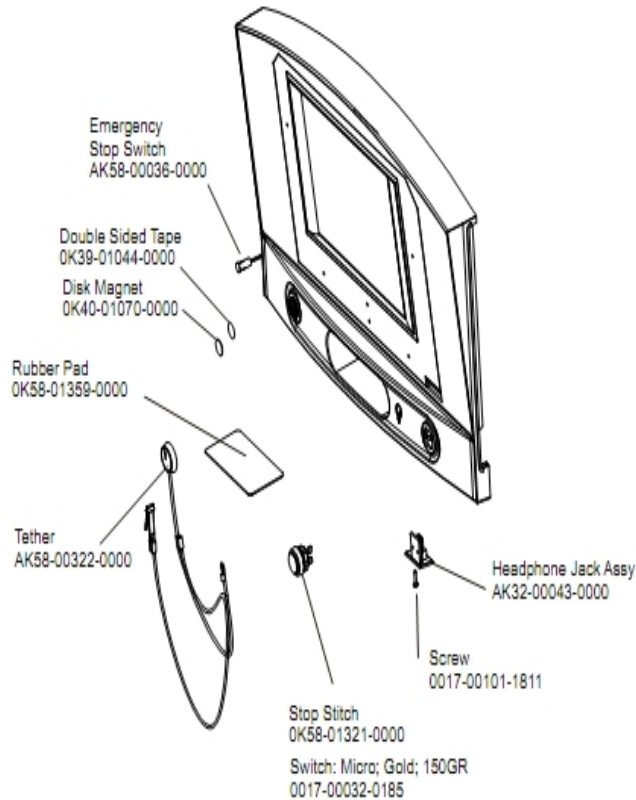
Ref #	Part Number	Qty	Description
-	AK58-00598-0000	1	Cable: ISO Power
-	AK58-00027-0001	1	Cable Assy: 230V
-	AK58-00523-0000	1	Cable: Jumper; Power; LCD Console
-	AK58-00524-0000	1	Cable: Thermal Adapter
-	AK58-00232-0000	1	Cable-Assembly: Console; Middle
-	AK58-00565-0000	1	Cable Extension: 230/50V
-	AK58-00597-0000	1	Cable Extension ISO Sensor
-	0017-00003-0950	1	100v 4 AMP Breaker

Block Diagram 3



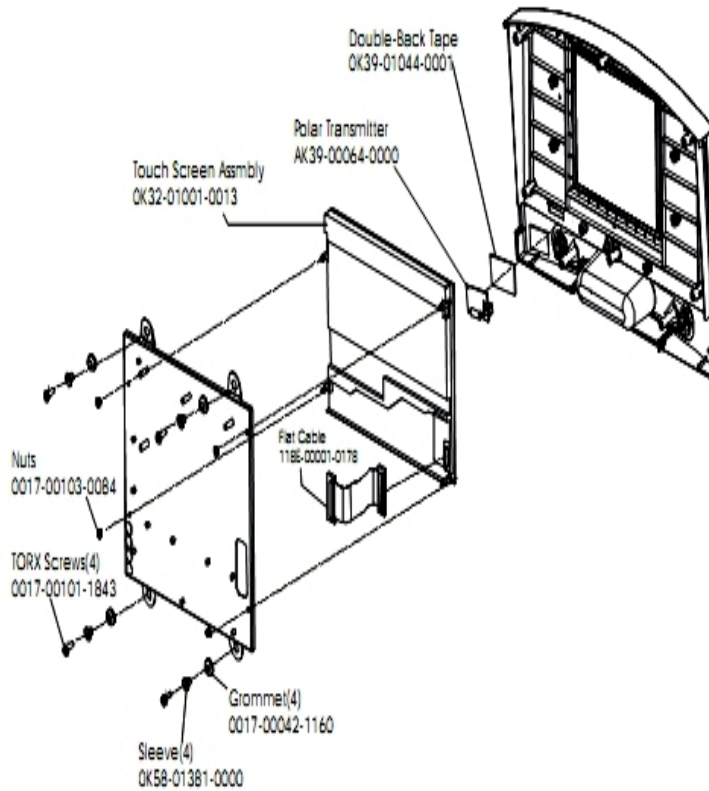
Ref #	Part Number	Qty	Description
-	AK58-00263-0000	1	Hi-Pot Jumper Cable
-	AK58-00083-0000	1	Cable Assembly
-	AK58-00224-0001	1	Cable: MOV; Fliter
-	AK58-00520-0000	1	Power Cable Assembly: 100-120V
-	AK58-00081-0000	1	Jumper Cable Assembly: Black - 4"
-	AK58-00082-0000	1	Jumper Cable Assembly: White - 6"
-	0017-00003-1015	1	20 amp Line Filter (DOM)

Console And Overlay



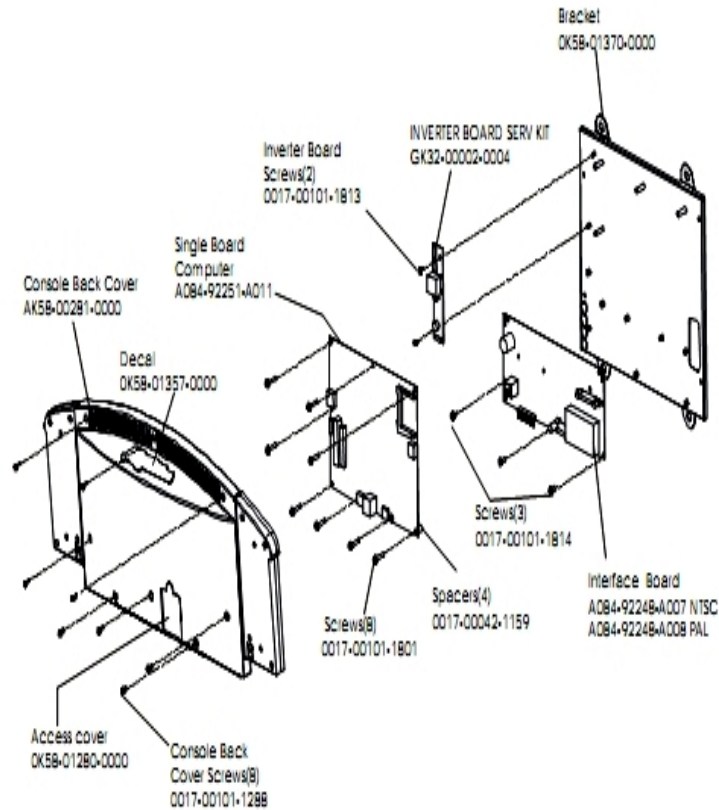
Ref #	Part Number	Qty	Description
-	OK40-01070-0000	1	Magnetic Disk
-	OK58-01359-0000	1	Rubber Pad
-	AK58-00036-0000	1	Cable-Assembly: Emergency-Stop Switch
-	0017-00032-0185	1	Micro Switch 150GR
-	AK58-00322-0000	1	Tether Stop Assembly
-	GK58-00002-0099	1	Console with FM English/ NTSC
-	AK32-00043-0000	1	Headphone Jack
-	0017-00101-1811	1	Hardware: Phillips Pan Screw 0.625"
-	OK39-01044-0000	1	Tape
-	AK58-00516-0001	1	Bezel Switch with Overlay: English
-	OK58-01321-0000	1	Stop Switch

Console Components 1



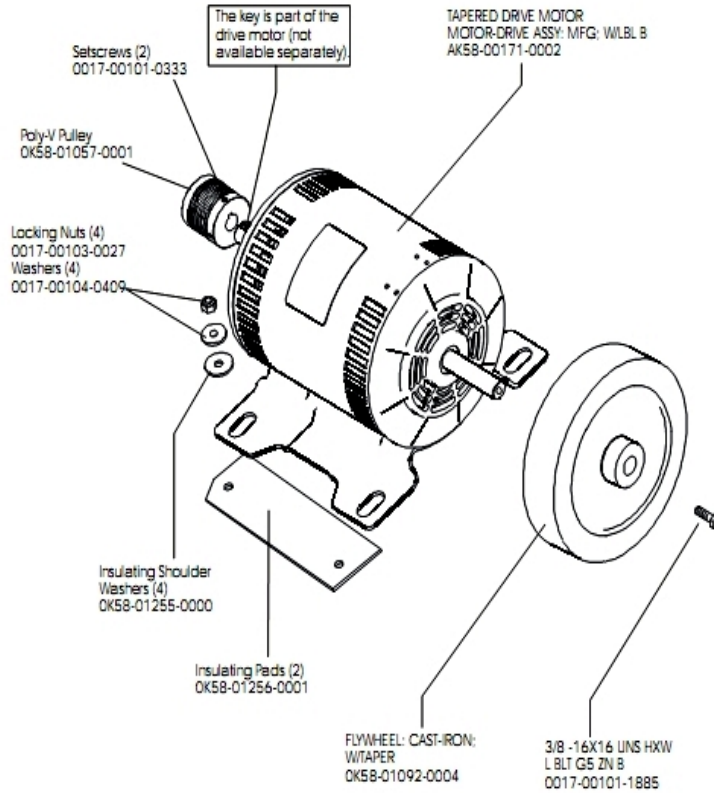
Ref #	Part Number	Qty	Description
-	0017-00042-1160	4	Grommet
-	118E-00001-0259	1	Wireless Receiver Module, Non-Coded
-	OK32-01001-0013	1	LCD Touchscreen Assembly
-	0017-00103-0084	4	Hardware: Nut
-	OK32-01001-0013	1	LCD Touchscreen Assembly
-	OK32-01001-0013	1	LCD Touchscreen Assembly
-	118E-00001-0178	1	Flat Flex Cable
-	OK32-01001-0013	1	LCD Touchscreen Assembly
-	0017-00101-1843	4	Hardware: Screw
-	OK39-01044-0001	1	Double-sided Tape
-	OK58-01381-0000	4	Shoulder Bushing

Console Components 2



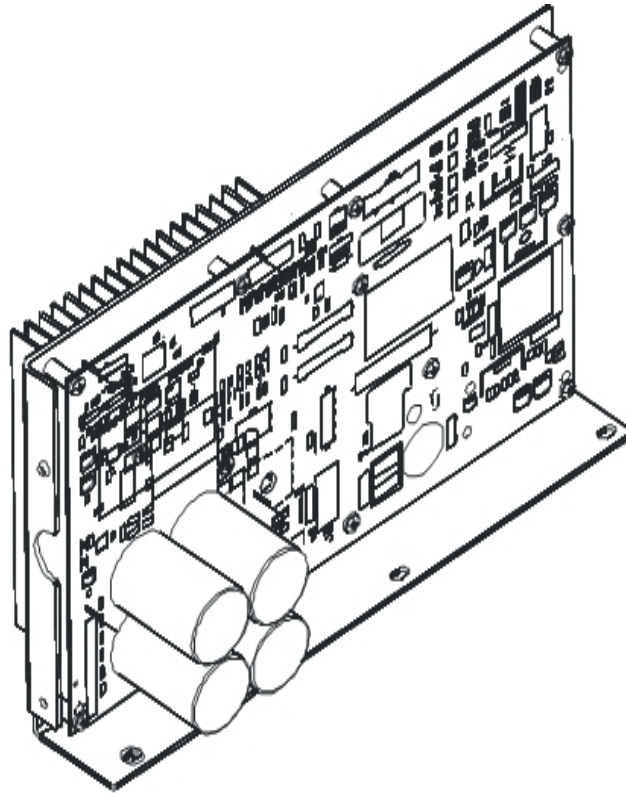
Ref #	Part Number	Qty	Description
-	GK32-00002-0004	1	Inverter Board
-	OK58-01357-0000	1	Decal
-	0017-00101-1814	3	Hardware: Screw
-	0017-00101-1801	8	Hardware: Screw
-	0017-00101-1288	8	Hardware: Phillips Screw 0.5"
-	AK58-00281-0000	1	Console Back Cover
-	OK58-01280-0000	1	Accessory Cover
-	0017-00101-1813	2	Hardware: Inverter Board Screw
-	A084-92251-A011	1	Single Board Computer
-	A084-92248-A007	1	Interface Boards NTSC
-	A084-92248-A007	1	Interface Boards NTSC
-	A084-92248-A007	1	Interface Boards NTSC
-	A084-92248-A007	1	Interface Boards NTSC
-	0017-00042-1159	4	Spacers
-	OK58-01370-0000	1	Bracket
-	A084-92248-A008	1	Interface Board PAL

Drive Motor Assembly



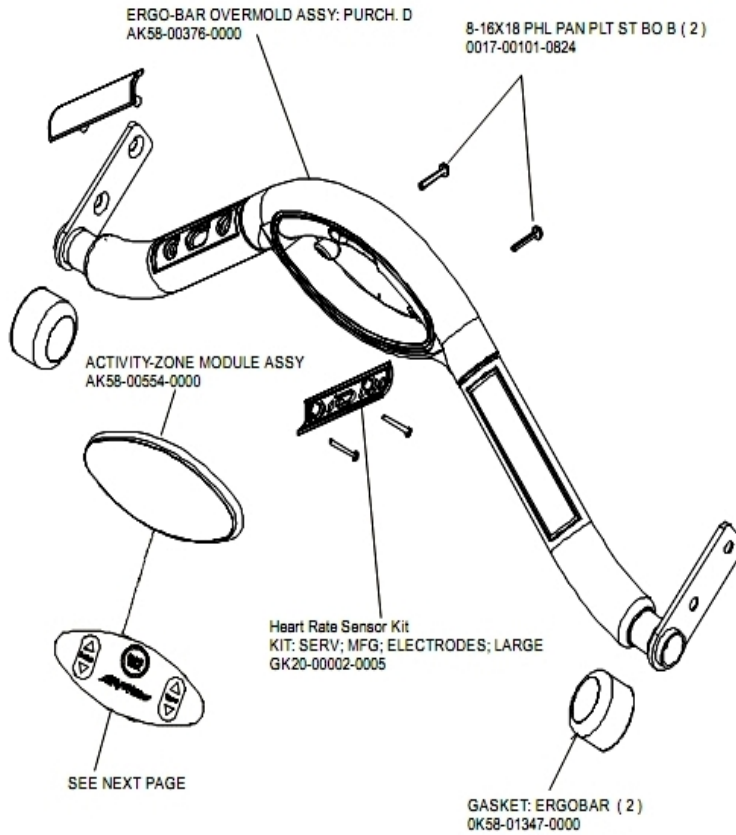
Ref #	Part Number	Qty	Description
-	0K58-01092-0004	1	Cast Iron Flywheel
-	0K58-01386-0004	1	MOTOR: MAIN DRIVE, 230V/50HZ, W/TAPER
-	0017-00101-0333	2	Hardware: Screw 0.3125"
-	0K58-01256-0001	2	Insulating Pad
-	0K58-01255-0000	4	Hardware: Insulating Washers
-	0017-00104-0409	4	Hardware: Washer 1.125" OD
-	0K58-01057-0001	1	Drive Pulley - 1.971"
-	0017-00103-0027	4	Hardware: Locking Nut. 5/16" ID
-	0017-00101-1885	1	Hardware: Hex Bolt 1"

DSP - Controller



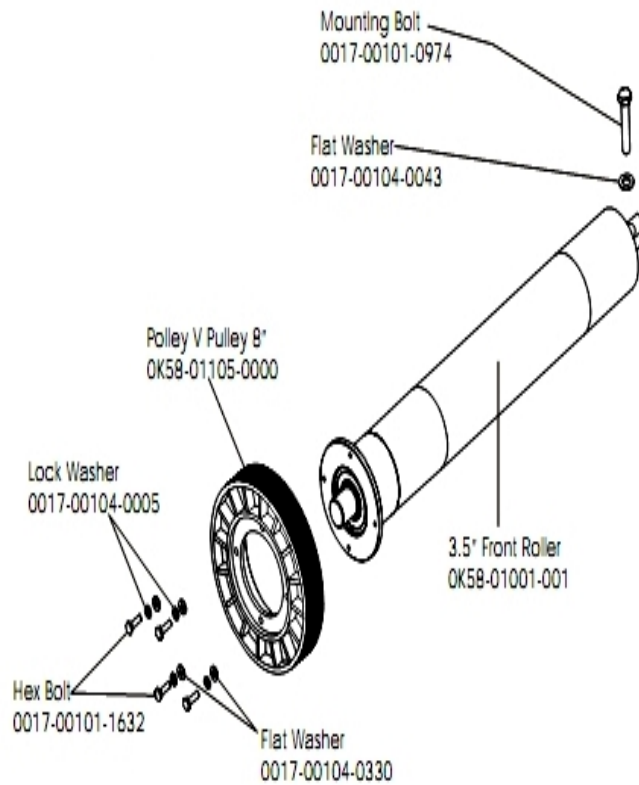
Ref #	Part Number	Qty	Description
-	GK58-00002-0119	1	Display Control- 100-120; LCD
-	GK58-00002-0119	1	Display Control- 100-120; LCD
-	GK58-00002-0119	1	Display Control- 100-120; LCD
-	GK58-00002-0119	1	Display Control- 100-120; LCD

Ergo Bar, Heart Rate Sensors And Activity Zone



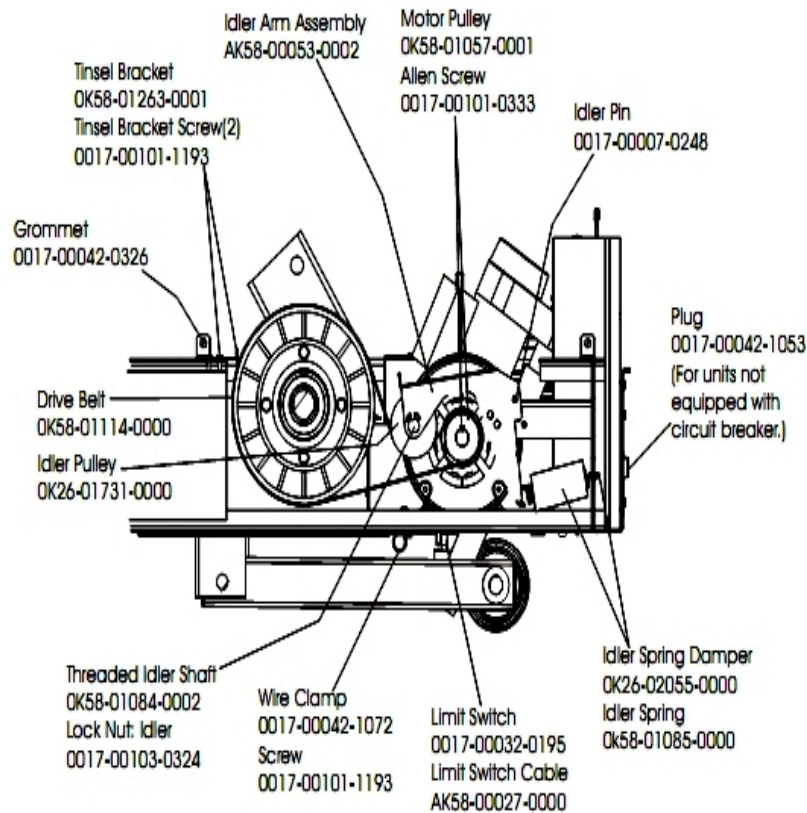
Ref #	Part Number	Qty	Description
-	AK58-00554-0201	1	Activity-Zone Module Assembly: Purchased; Generic Shadow Grey
-	GK20-00002-0005	2	Heart Rate Electrode Kit
-	0017-00101-0824	2	Hardware: Screw 1.125"
-	AK58-01347-0000	2	ErgoBar Gasket
-	AK58-00376-0001	1	Ergo-Bar Overmold Assembly

Front Roller Assembly



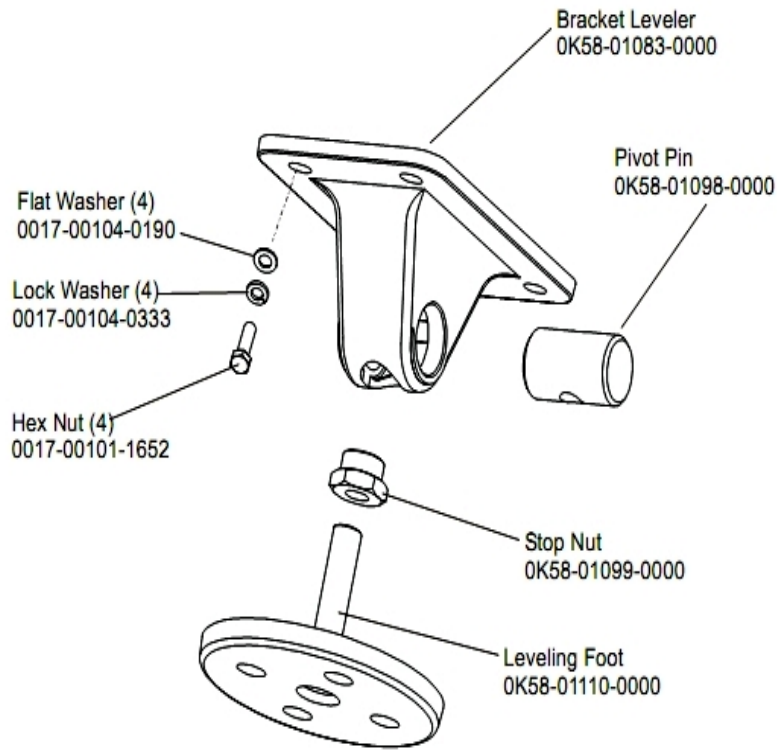
Ref #	Part Number	Qty	Description
-	0017-00101-0974	1	Hardware: Mounting Bolt 2"
-	0017-00101-1632	2	Hardware: Hex Bolt 0.875"
-	OK58-01105-0000	1	Drive Pulley Poly V - 8"
-	OK58-01001-0001	1	Front Roller - 3.5"
-	0017-00104-0005	2	Hardware: Lock Washer 0.489" OD
-	0017-00104-0330	2	Hardware: Flat Washers 0.562" OD
-	AK58-00066-0000	1	Front Roller Assembly
-	0017-00104-0043	1	Hardware: Flat Washer 0.734" OD

Idler Arm



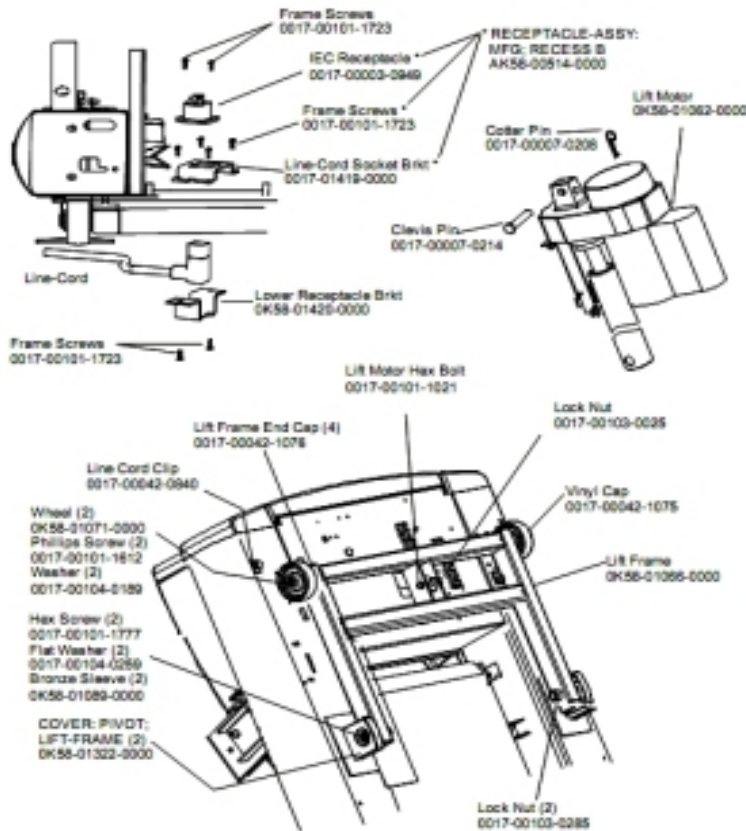
Ref #	Part Number	Qty	Description
-	OK58-01057-0001	1	Drive Pulley - 1.971"
-	OK58-01263-0001	1	Tinsel Bracket
-	0017-00103-0324	1	Hardware: Thin Lock Nut 3/8" ID
-	AK58-00027-0000	1	Limit Switch Cable
-	OK26-01731-0000	1	Plastic Idler 2 5/8" OD
-	OK26-02055-0000	1	Spring Damper
-	0017-00032-0195	1	Home Switch
-	0017-00042-1072	1	Hardware: Wire Clamp - 5/8"
-	0017-00007-0248	1	Hardware: Locking Pin .31" D 2.125" L
-	0017-00042-0326	1	Hardware: Plastic Grommet
-	0017-00101-1193	3	Hardware: Screw 0.375"
-	OK58-01114-0000	1	Poly-V Drive Belt - 370J12
-	OK58-01084-0002	1	Threaded Shaft
-	0017-00101-0333	1	Hardware: Screw 0.3125"
-	AK58-00053-0002	1	Idler Arm Assembly
-	OK58-01085-0000	1	Extension Spring
-	0017-00042-1053	1	Plug (For units not equipped with circuit breaker.)

Leg Leveler Assembly



Ref #	Part Number	Qty	Description
-	0K58-01110-0000	1	Leveler Foot
-	AK58-00370-0000	1	Leveler Assembly
-	0K58-01099-0000	1	Hardware: Stop Nut
-	0K58-01083-0000	1	Leveler Bracket
-	0017-00104-0333	4	Hardware: Washer 0.683" OD
-	0017-00101-1652	4	Hardware: Spring Mounting Screw 1"
-	0017-00104-0190	4	Hardware: Flat Washer 0.734" OD
-	0K58-01098-0000	1	Hardware: Pivot Pin

Lift Frame, Lift Motor, And IEC Receptacle



Ref #	Part Number	Qty	Description
-	0017-00007-0214	1	Hardware: Clevis Pin 3/8" D 1.75" L
-	0017-00042-1075	1	Vinyl Cap
-	0017-00101-1612	2	Hardware: Phillips Screw 0.5"
-	OK58-01071-0000	2	Wheel
-	0017-00042-0840	1	Hardware: Push Mount Clip
-	OK58-01089-0000	2	Bronze Sleeve Bushings
-	OK58-01420-0000	1	Lower Receptacle Bracket
-	OK58-01062-0000	1	Lift Motor - 120/60
-	AK58-00220-0000	1	LIFT-FRAME ASSY: MFG. C
-	0017-00042-1076	4	Lift Frame End Cap
-	OK58-01322-0000	2	Lift Frame Pivot Cover
-	0017-00103-0285	4	Hardware: Nut 5/8" ID
-	0017-00007-0208	1	Hardware: Cotter Pin
-	0017-00104-0189	2	Hardware: Flat Washer 1" OD
-	0017-00101-1777	2	Hardware: Lift Frame Mounting Bolt 2.75"
-	OK58-01419-0000	1	Line Cord Socket Bracket
-	0017-00101-1723	8	Hardware: Phillips Pan Screw 0.375"
-	AK58-00514-0000	1	Receptacle Assembly
-	0017-00101-1021	1	Hardware: Lift Motor Hex Bolt 2.5"
-	0017-00103-0025	1	Hardware: Locking Nut 3/8" ID
-	0017-00104-0259	2	Hardware: Washer 1.331" OD

Ref #	Part Number	Qty	Description
-	0017-00003-0949	1	IEC Receptacle

Line Cords

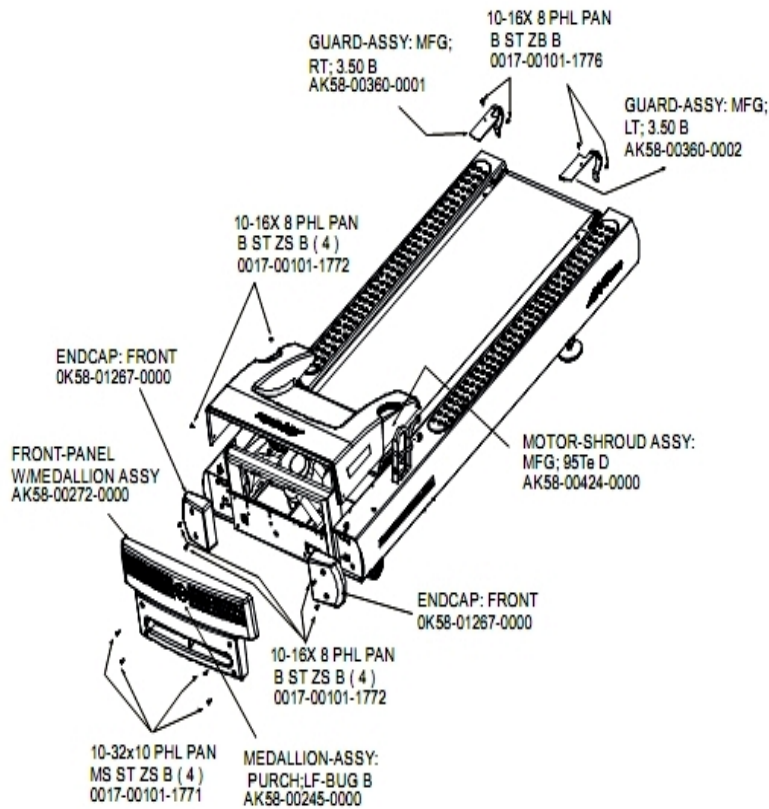
Ref #	Part Number	Qty	Description
-	0017-00003-0980	1	Line Cord: US Low Voltage 144"
-	0017-00003-0947	1	Line Cord: 120V; 20A; 12'
-	0017-00003-0915	1	Line Cord RT Angle Plug
-	0017-00003-0974	1	Line Cord: 120V: 8'

Miscellaneous

Ref #	Part Number	Qty	Description
-	0017-00009-1049	1	Torx Wrench
-	0017-00101-1773	6	Hardware: TORX Screw 0.5"
-	GK58-00002-0071	4	Anti-Slip Rail
-	0017-00101-1780	8	Hardware: Mounting Screws
-	0017-00101-1774	4	Hardware: TORX Screw 2.5"
-	0017-00008-0211	1	Paint: Shadow-Gray Touch Up: .6 OZ Bottle
-	0017-00104-0325	4	Hardware: Washer 0.873" OD
-	0017-00101-1776	4	Hardware: Mounting Screw 0.5"
-	0017-00008-0210	1	Paint: Shadow-Gray Touch Up: .6 OZ Bottle
-	0017-00101-1778	4	Hardware: Hex Bolt 1"
-	AK58-00226-0000	1	Hardware Bag
-	AK58-00360-0001	1	Rear Roller Guard: Right
-	GK58-00002-0095	1	Roller Guard kit
-	0017-00008-0205	1	5 oz Bottle - Arctic Silver
-	0017-00008-0204	1	Paint Spray Can - Arctic Silver
-	0017-00042-0840	5	Hardware: Push Mount Clip
-	0017-00101-1770	6	Hardware: Phillips Pan Screw 0.5"
-	0K58-01376-0000	2	Anti-Scuff Pad
-	0017-00101-1772	6	Hardware: Phillips Pan Screw 0.5"
-	AK58-00360-0002	1	Rear Roller Guard: Left
-	0017-00008-0206	1	.33oz Pen - Arctic Silver

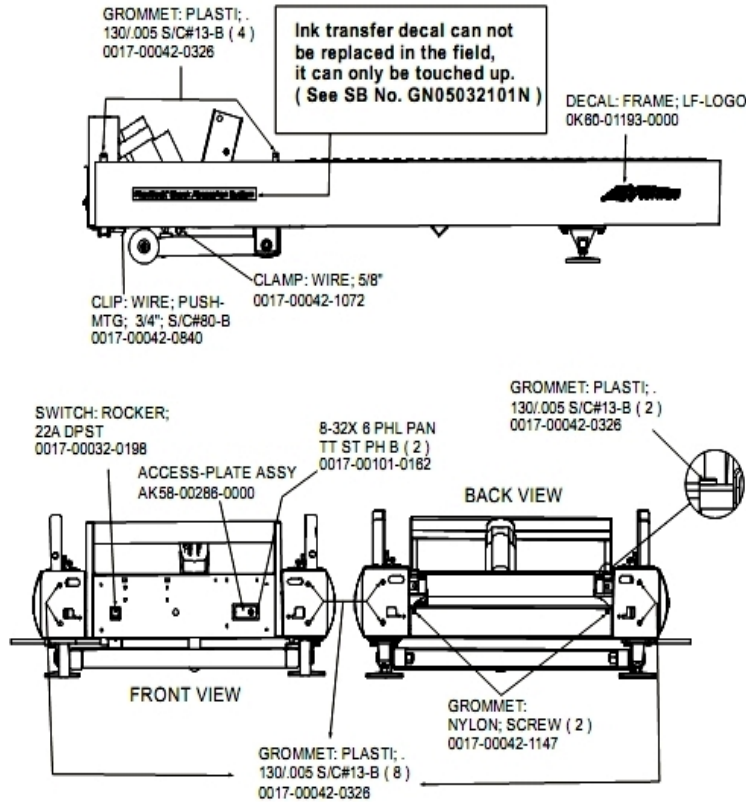
Ref #	Part Number	Qty	Description
-	0017-00042-0326	4	Hardware: Plastic Grommet
-	0017-00042-1147	2	Hardware: Nylon Grommet
-	0017-00103-0327	4	Hardware: Hex Nut 5/16" ID
-	0K58-01305-0002	2	Upright Plug
-	0K58-01347-0000	2	ErgoBar Gasket

Motor Cover, Front Cover And Front End Caps



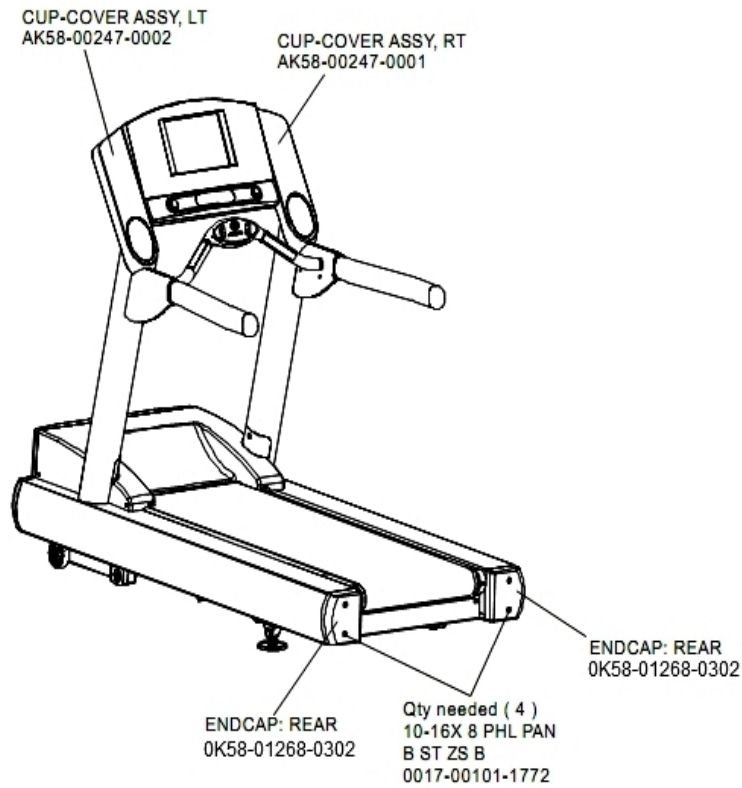
Ref #	Part Number	Qty	Description
-	OK58-01267-0000	2	End Cap
-	0017-00101-1776	1	Hardware: Mounting Screw 0.5"
-	AK58-00360-0002	1	Rear Roller Guard: Left
-	AK58-00245-0000	1	Bug Medallion
-	AK58-00272-0000	1	Front Panel with Medallion
-	AK58-00424-0000	1	Motor Shroud
-	0017-00101-1772	8	Hardware: Phillips Pan Screw 0.5"
-	0017-00101-1771	4	Hardware: Phillips Pan Screw
-	AK58-00360-0001	1	Rear Roller Guard: Right

On/Off Switch, Access Plate And Grommets



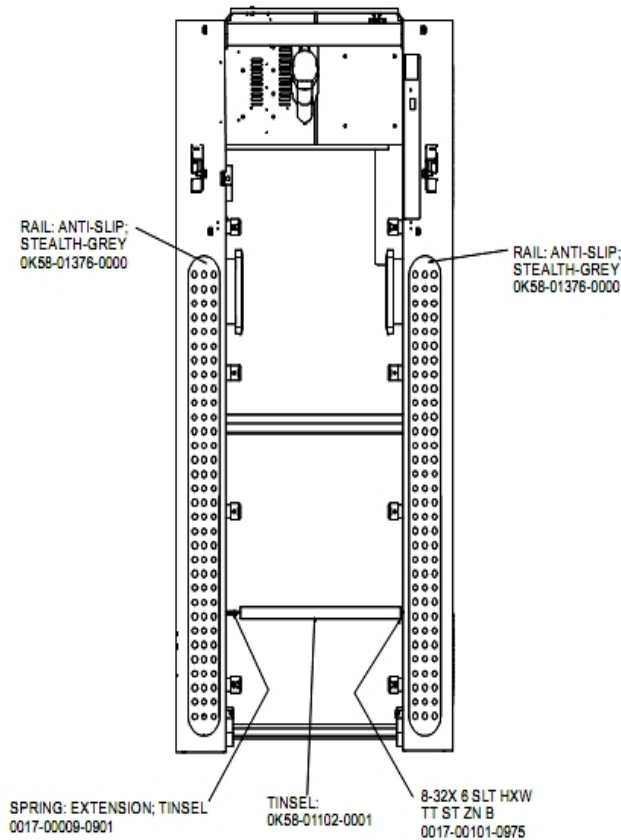
Ref #	Part Number	Qty	Description
-	0017-00101-0162	2	Hardware: Screw 0.375"
-	AK58-00286-0000	1	Access Plate
-	0017-00042-0840	1	Hardware: Push Mount Clip
-	0K60-01193-0000	2	Decal: LF Logo
-	0017-00032-0198	1	On/Off Switch 22A
-	0017-00042-0326	14	Hardware: Plastic Grommet
-	0017-00042-1147	2	Hardware: Nylon Grommet
-	0017-00042-1072	1	Hardware: Wire Clamp - 5/8"

Rear End Caps And Cup Holders



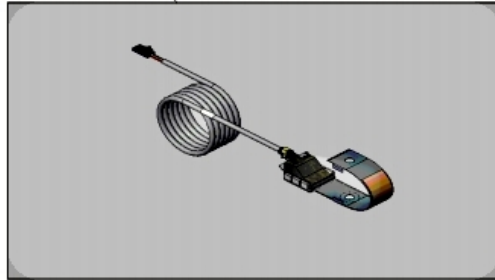
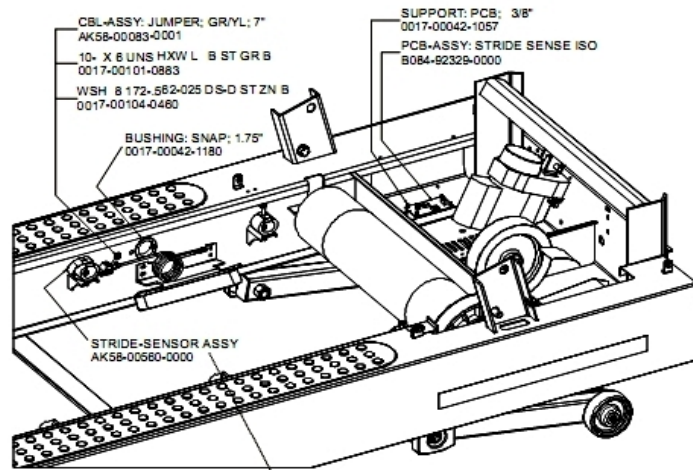
Ref #	Part Number	Qty	Description
-	OK58-01268-0302	3	ENDCAP: REAR; STEALTH D
-	AK58-00247-0002	1	Cup Holder Left
-	AK58-00247-0001	1	Cup Holder Right
-	0017-00101-1772	4	Hardware: Phillips Pan Screw 0.5"

Scuff Pad And Tinsel



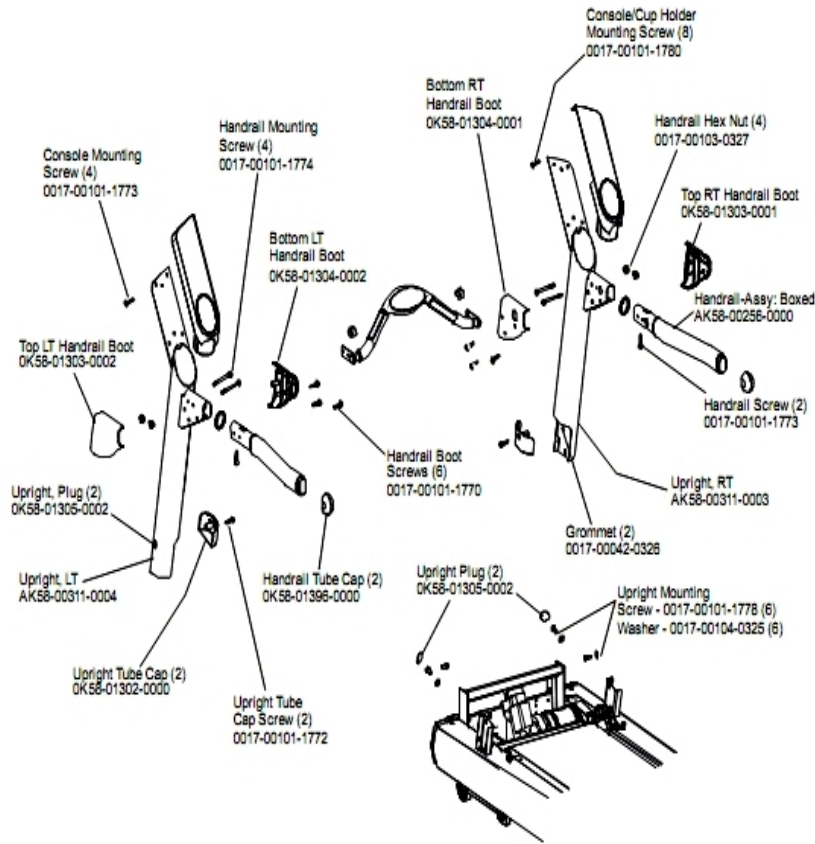
Ref #	Part Number	Qty	Description
-	0017-00101-0975	1	Hardware: Mounting Bolt 0.375"
-	OK58-01102-0001	1	Anti-Static Tinsel
-	0017-00009-0901	1	Tinsel Extension Spring
-	OK58-01376-0000	3	Anti-Scuff Pad

Stride Sensor And Stride Sensor Pcb Assemblies



Ref #	Part Number	Qty	Description
-	0017-00042-1057	1	Support: Printed Circuit Board; 3/8"
-	0017-00042-1180	1	Hardware: Snap Bushing - 1.75"
-	0017-00101-0883	1	Hardware: Screw 0.375"
-	AK58-00560-0000	1	Stride Sensor Assembly
-	0017-00104-0460	1	Hardware: Lockwasher 0.562" OD
-	AK58-00083-0001	1	Jumper Cable Assembly: Green/Yellow - 7"
-	B084-92329-0000	1	PCB-ASSY: STRIDE SENSE ISO

Uprights And Handrails



Ref #	Part Number	Qty	Description
-	0017-00101-1773	6	Hardware: TORX Screw 0.5"
-	AK58-00311-0003	1	Upright: Right
-	OK58-01396-0000	2	Endcap
-	OK58-01303-0002	1	Top Left Handrail Boot
-	OK58-01304-0001	1	Bottom Right Handrail Boot
-	OK58-01304-0002	1	Bottom Left Handrail Boot
-	0017-00101-1772	2	Hardware: Phillips Pan Screw 0.5"
-	OK58-01303-0001	1	Top Right Handrail Boot
-	0017-00042-0326	2	Hardware: Plastic Grommet
-	0017-00103-0327	4	Hardware: Hex Nut 5/16" ID
-	OK58-01302-0103	2	Cap: Upright Tube; Arctic Silver
-	OK58-01305-0002	4	Upright Plug
-	AK58-00256-0001	1	Handrail
-	AK58-00311-0004	1	Upright: Left
-	0017-00101-1778	6	Hardware: Hex Bolt 1"
-	0017-00104-0325	6	Hardware: Washer 0.873" OD
-	0017-00101-1774	4	Hardware: TORX Screw 2.5"
-	0017-00101-1780	8	Hardware: Mounting Screws
-	0017-00101-1770	6	Hardware: Phillips Pan Screw 0.5"

