

95Te Treadmill w/Integrated LCD screen

95TE-0201-01

Parts Manual

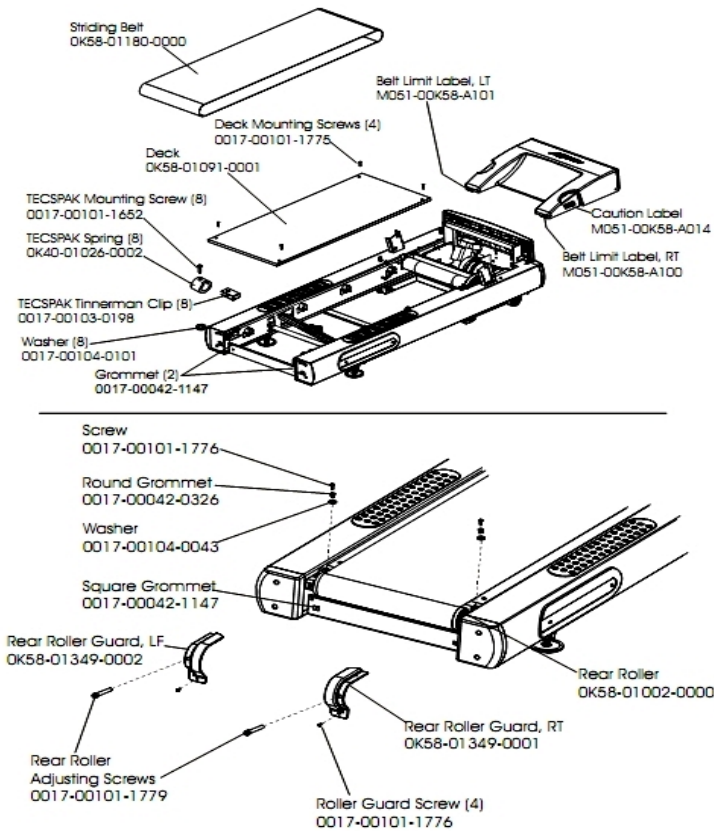
1/5/2019 10:57:39 AM



Table of Contents

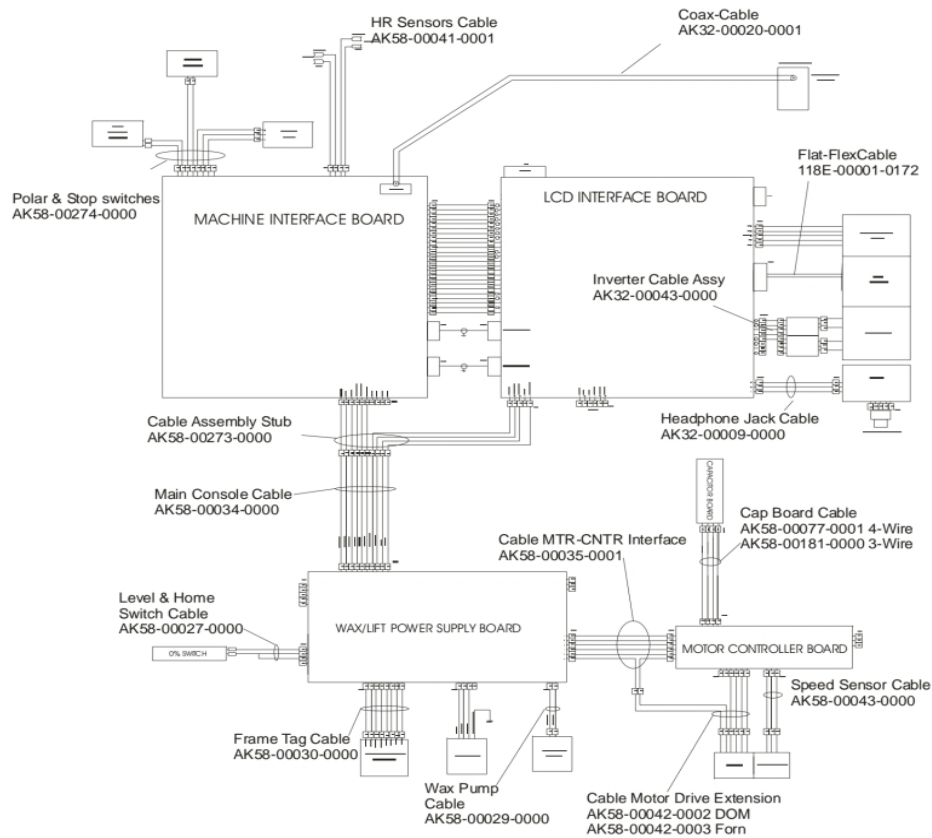
Belt, Deck, And Rear Roller.....	3
Cables.....	4
Console Assembly.....	5
Console Components.....	6
Covers, End Caps, And Hardware.....	7
Drive Motor Assembly.....	8
Ergo Bar WithLifepulse.....	9
Frame Assembly.....	10
Front Roller Assembly.....	11
Handrail Assembly.....	12
Idler Arm Assembly And Static Brush.....	13
Leveler Assembly.....	14
Lift Motor And Frame.....	15
Miscellaneous.....	16
Motor Controller Assembly.....	17
Power Components.....	18
Wax Components.....	19
Wax/Lift Assembly.....	20

Belt, Deck, And Rear Roller



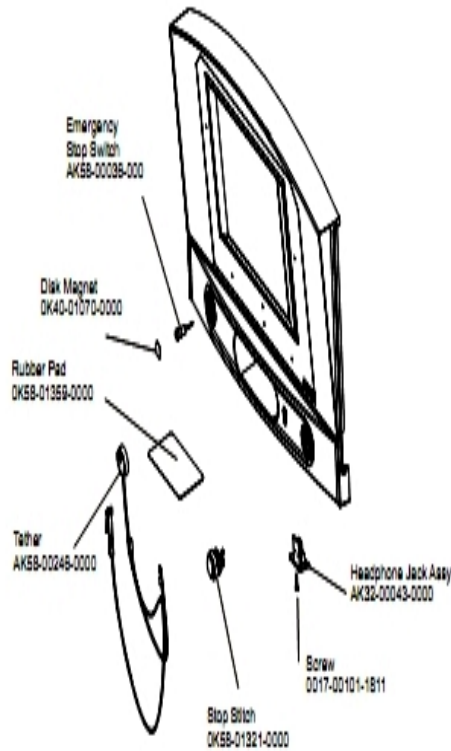
Ref #	Part Number	Qty	Description
-	0017-00101-1775	4	Hardware: Deck Screws 1.25"
-	M051-00K58-A101	1	Belt Limit Label. Left
-	0K58-01349-0001	1	Rear Roller Guard Right
-	0017-00103-0198	8	Hardware: Tinnerman Clip 1/4" ID
-	0K58-01180-0000	1	Striding Belt
-	M051-00K58-A100	1	Label: Belt Limit: Right
-	0017-00101-1779	1	Hardware: Rear Roller Adjusting Bolt
-	0017-00042-0326	2	Hardware: Plastic Grommet
-	0017-00042-1147	4	Hardware: Nylon Grommet
-	0017-00101-1652	8	Hardware: Spring Mounting Screw 1"
-	0K58-01349-0002	1	Rear Roller Guard Left
-	0017-00104-0043	2	Hardware: Flat Washer 0.734" OD
-	0017-00104-0101	8	Hardware: Flat Washer 0.437" OD
-	0K58-01002-0000	1	Rear Roller - 3.5"
-	0K58-01091-0001	1	Deck
-	M051-00K58-A014	1	Label: Caution
-	0017-00101-1776	6	Hardware: Mounting Screw 0.5"
-	0K40-01026-0002	8	Deck Spring

Cables



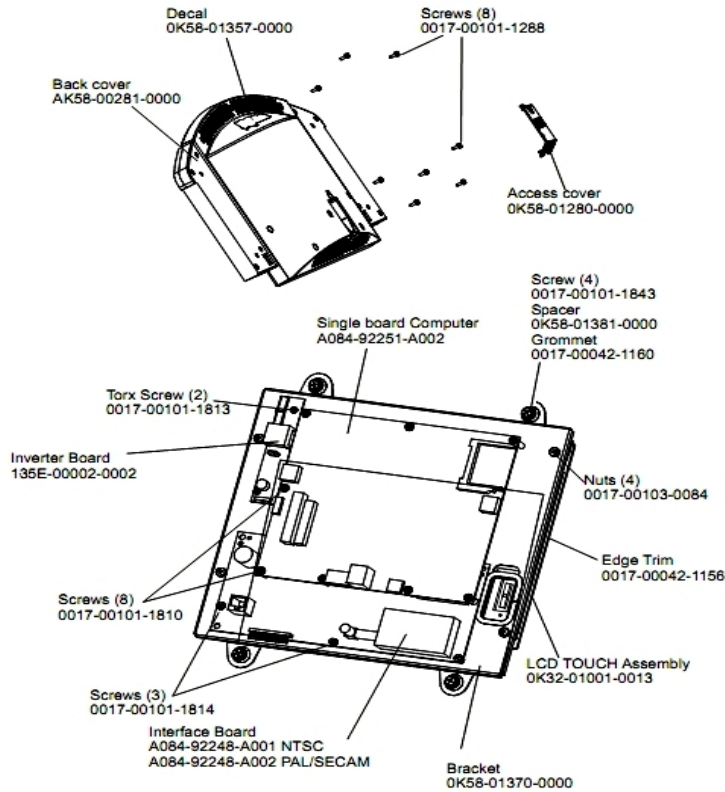
Ref #	Part Number	Qty	Description
-	AK58-00181-0000	1	Cap Board Cable 3-Wire
-	AK58-00035-0001	1	Motor Controller Interface Cable
-	AK32-00043-0000	1	Headphone Jack
-	AK32-00009-0000	1	Headphone Jack Cable
-	118E-00001-0178	1	Flat Flex Cable
-	AK58-00077-0001	1	Cap Board Cable - Domestic
-	AK58-00027-0000	1	Limit Switch Cable
-	AK58-00043-0000	1	Speed Sensor Cable
-	AK58-00042-0003	1	Cable Motor Drive Extension INT
-	AK58-00274-0000	1	Polar and Stop Switches
-	AK58-00029-0000	1	Wax Pump Cable
-	AK58-00273-0001	1	Power Cable
-	AK58-00030-0000	1	Frame Tag Cable
-	AK32-00020-0001	1	Coax Cable: 90"
-	AK58-00034-0000	1	Console Cable
-	AK58-00041-0001	1	Heart Rate Sensor Cable

Console Assembly



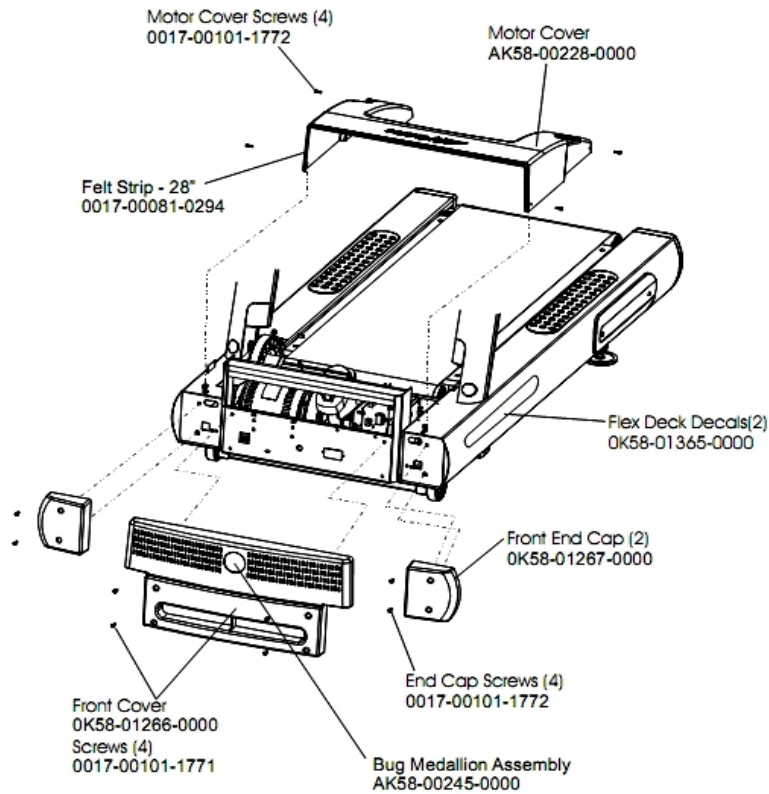
Ref #	Part Number	Qty	Description
-	AK58-00322-0000	1	Tether Stop Assembly
-	OK40-01070-0000	1	Magnetic Disk
-	AK58-00517-0003	1	Bezel Switch with Overlay: German/PAL
-	OK58-01321-0000	1	Stop Switch
-	AK32-00043-0000	1	Headphone Jack
-	0017-00101-1811	1	Hardware: Phillips Pan Screw 0.625"
-	AK58-00036-0000	1	Cable-Assembly: Emergency-Stop Switch
-	OK58-01359-0000	1	Rubber Pad
-	GK58-00002-0105	1	Console with FM German/ PAL

Console Components



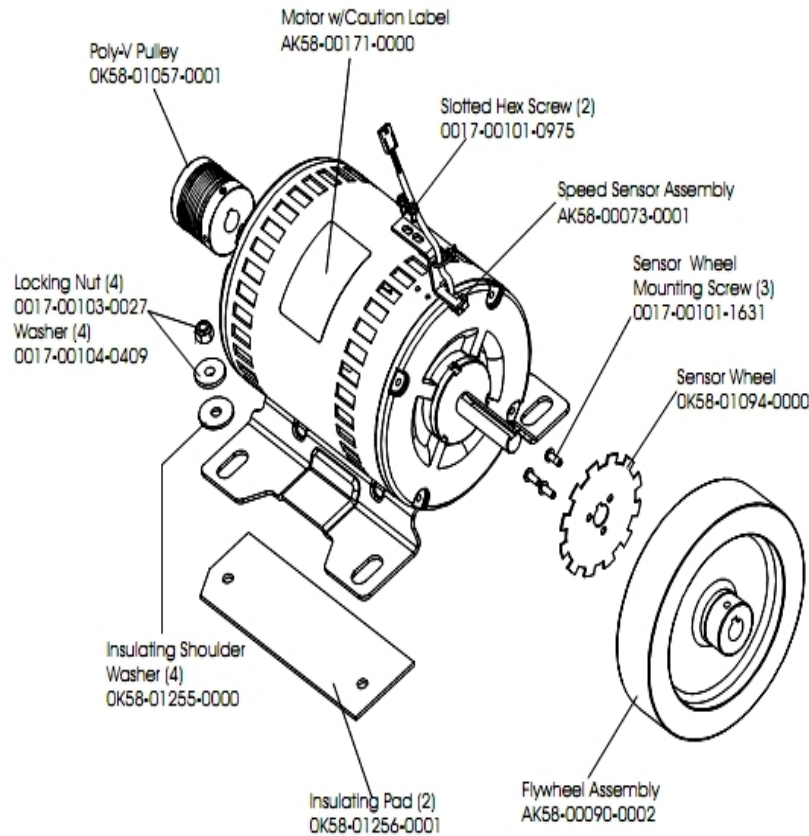
Ref #	Part Number	Qty	Description
-	A084-92248-A002	1	Interface Board PAL/SECAM
-	0017-00042-1156	1	Edge Trim
-	0017-00101-1843	4	Hardware: Screw
-	0017-00042-1160	1	Grommet
-	0017-00101-1810	8	Hardware: Screw
-	0K58-01370-0000	1	Bracket
-	A084-92251-A002	1	Single Board Computer
-	GK32-00002-0004	1	Inverter Board
-	0K58-01381-0000	1	Shoulder Bushing
-	0K58-01357-0000	1	Decal
-	0017-00101-1814	3	Hardware: Screw
-	0017-00101-1288	8	Hardware: Phillips Screw 0.5"
-	0017-00103-0084	4	Hardware: Nut
-	AK58-00281-0000	1	Console Back Cover
-	0017-00101-1813	2	Hardware: Inverter Board Screw
-	0K32-01001-0013	1	LCD Touchscreen Assembly
-	0K32-01001-0013	1	LCD Touchscreen Assembly
-	0K32-01001-0013	1	LCD Touchscreen Assembly
-	0K32-01001-0013	1	LCD Touchscreen Assembly
-	0K58-01280-0000	1	Accessory Cover

Covers, End Caps, And Hardware



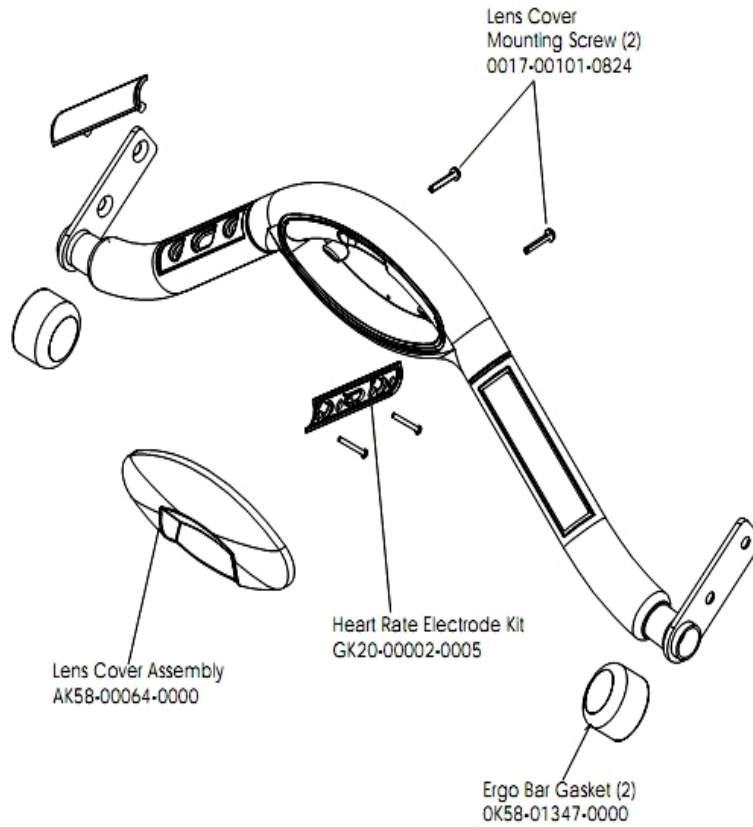
Ref #	Part Number	Qty	Description
-	0017-00101-1772	8	Hardware: Phillips Pan Screw 0.5"
-	AK58-00245-0000	1	Bug Medallion
-	OK58-01365-0000	2	Decal
-	OK58-01267-0000	2	End Cap
-	0017-00081-0294	1	Felt Strip - 28"
-	AK58-00228-0000	1	Motor Cover
-	0017-00101-1771	4	Hardware: Phillips Pan Screw
-	OK58-01266-0000	1	Front Cover

Drive Motor Assembly



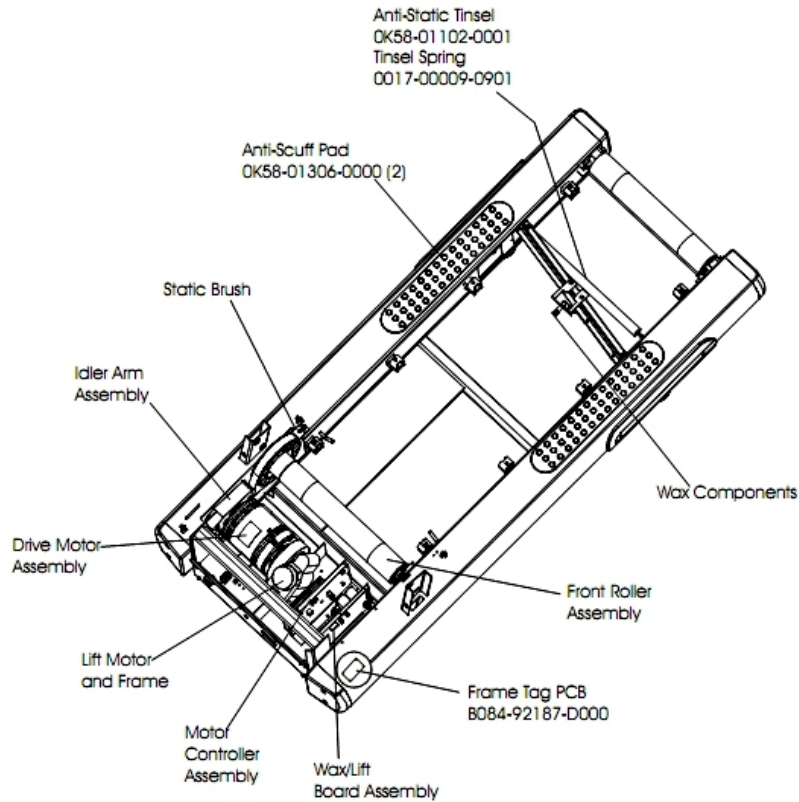
Ref #	Part Number	Qty	Description
-	0017-00101-0975	2	Hardware: Mounting Bolt 0.375"
-	0017-00103-0027	4	Hardware: Locking Nut. 5/16" ID
-	OK58-01057-0001	1	Drive Pulley - 1.971"
-	AK58-00171-0000	1	Motor with Caution Label
-	OK58-01255-0000	4	Hardware: Insulating Washers
-	0017-00104-0409	4	Hardware: Washer 1.125" OD
-	OK58-01094-0000	1	Sensor Wheel
-	AK58-00090-0002	1	Flywheel Assembly
-	OK58-01256-0001	2	Insulating Pad
-	0017-00101-1631	3	Hardware: Sensor Wheel Mounting Screw
-	AK58-00073-0001	1	Speed Sensor Assembly

Ergo Bar WithLifepulse



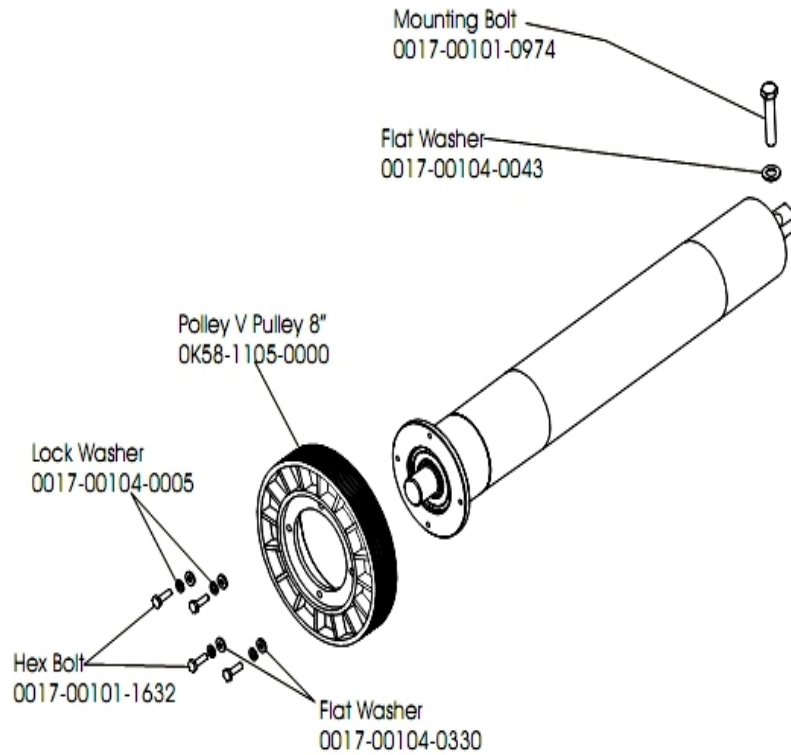
Ref #	Part Number	Qty	Description
-	AK58-00064-0000	1	I/R Lens Cover Assembly
-	0017-00101-0824	2	Hardware: Screw 1.125"
-	OK58-01347-0000	2	ErgoBar Gasket
-	GK20-00002-0005	2	Heart Rate Electrode Kit

Frame Assembly



Ref #	Part Number	Qty	Description
-	0017-00009-0901	1	Tinsel Extension Spring
-	OK58-01376-0000	2	Anti-Scuff Pad
-	OK58-01102-0001	1	Anti-Static Tinsel
-	B084-92187-D000	1	Frame Tag PCB

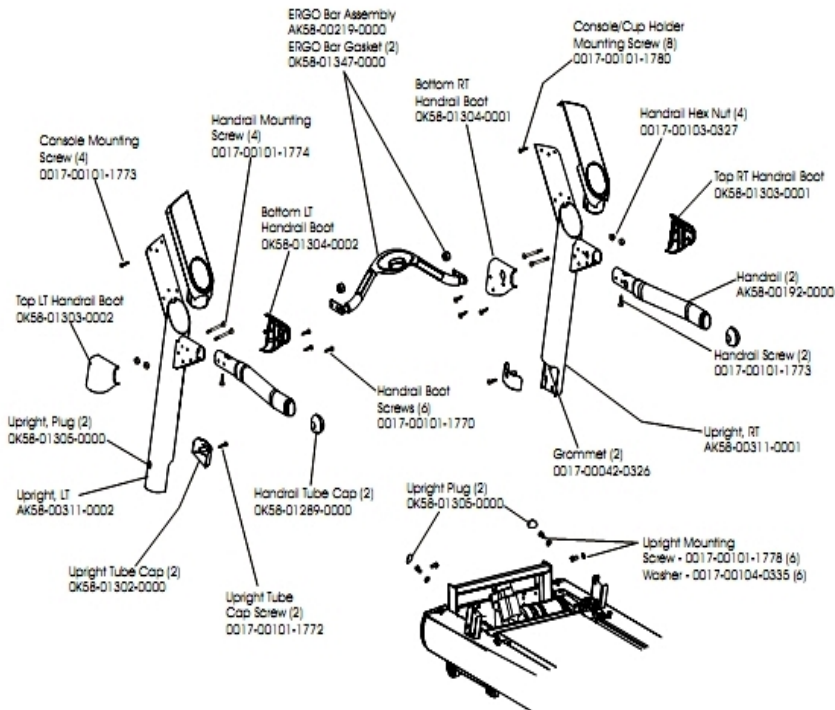
Front Roller Assembly



Ref #	Part Number	Qty	Description
-	0017-00104-0330	2	Hardware: Flat Washers 0.562" OD
-	AK58-00066-0000	1	Front Roller Assembly
-	0017-00104-0005	2	Hardware: Lock Washer 0.489" OD
-	0017-00104-0043	1	Hardware: Flat Washer 0.734" OD
-	0017-00101-1632	2	Hardware: Hex Bolt 0.875"
-	0017-00101-0974	1	Hardware: Mounting Bolt 2"
-	OK58-01105-0000	1	Drive Pulley Poly V - 8"

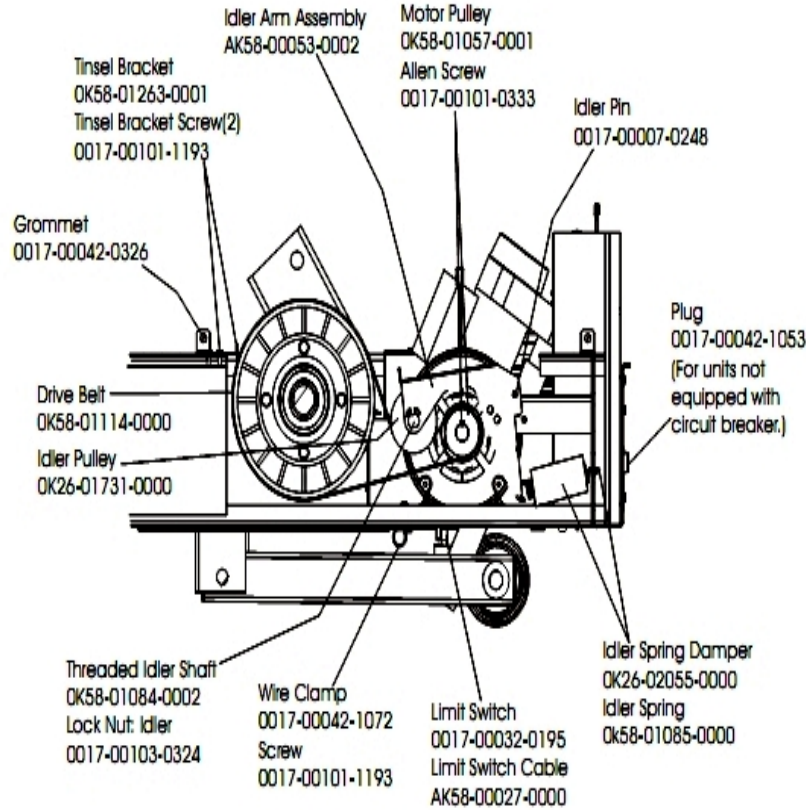
Handrail Assembly

**Hardware Bag Assembly
AK58-00226-0000**



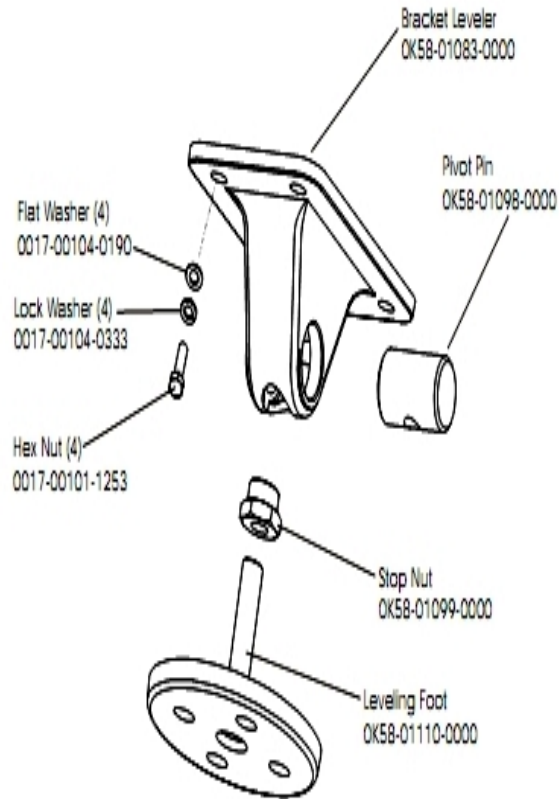
Ref #	Part Number	Qty	Description
-	0017-00101-1773	6	Hardware: TORX Screw 0.5"
-	AK58-00311-0003	1	Upright: Right
-	0017-00101-1770	6	Hardware: Phillips Pan Screw 0.5"
-	OK58-01396-0000	2	Endcap
-	OK58-01303-0002	1	Top Left Handrail Boot
-	OK58-01304-0001	1	Bottom Right Handrail Boot
-	OK58-01304-0002	1	Bottom Left Handrail Boot
-	AK58-00219-0000	1	Ergo Bar with Heart Rate Sensors
-	0017-00101-1772	2	Hardware: Phillips Pan Screw 0.5"
-	OK58-01303-0001	1	Top Right Handrail Boot
-	OK58-01347-0000	2	ErgoBar Gasket
-	0017-00042-0326	2	Hardware: Plastic Grommet
-	0017-00103-0327	4	Hardware: Hex Nut 5/16" ID
-	OK58-01302-0103	2	Cap: Upright Tube; Arctic Silver
-	OK58-01305-0002	4	Upright Plug
-	AK58-00256-0001	2	Handrail
-	AK58-00311-0004	1	Upright: Left
-	0017-00101-1778	6	Hardware: Hex Bolt 1"
-	0017-00101-1774	4	Hardware: TORX Screw 2.5"
-	0017-00101-1780	8	Hardware: Mounting Screws
-	0017-00104-0335	6	Hardware: Handrail Washer
-	AK58-00226-0000	1	Hardware Bag

Idler Arm Assembly And Static Brush



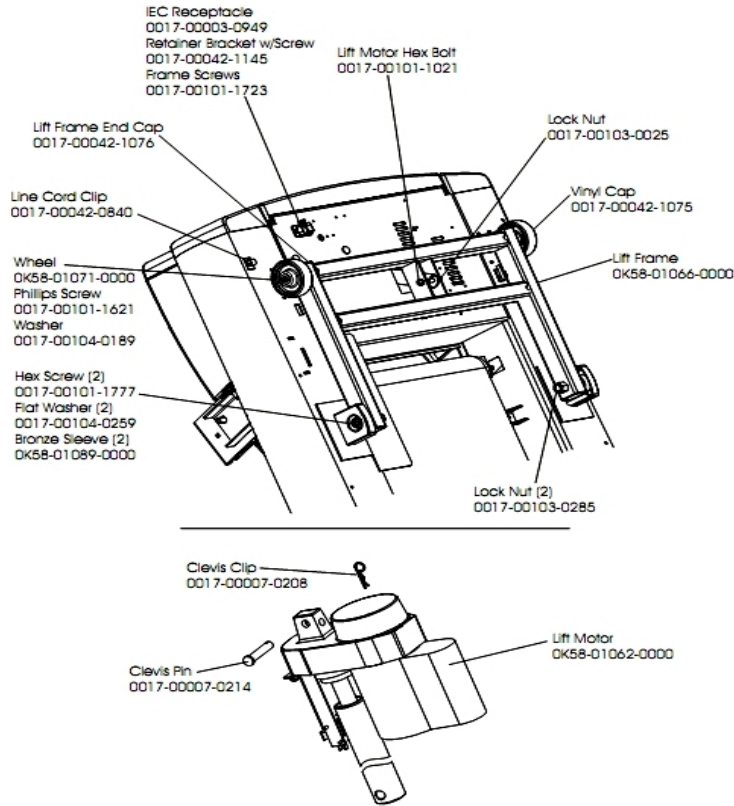
Ref #	Part Number	Qty	Description
-	OK58-01057-0001	1	Drive Pulley - 1.971"
-	0017-00042-1053	1	Plug (For units not equipped with circuit breaker.)
-	0017-00103-0324	1	Hardware: Thin Lock Nut 3/8" ID
-	AK58-00027-0000	1	Limit Switch Cable
-	OK26-01731-0000	1	Plastic Idler 2 5/8" OD
-	OK26-02055-0000	1	Spring Damper
-	0017-00032-0195	1	Home Switch
-	0017-00042-1072	1	Hardware: Wire Clamp - 5/8"
-	0017-00007-0248	1	Hardware: Locking Pin .31" D 2.125" L
-	0017-00042-0326	1	Hardware: Plastic Grommet
-	0017-00101-1193	3	Hardware: Screw 0.375"
-	OK58-01114-0000	1	Poly-V Drive Belt - 370J12
-	OK58-01084-0002	1	Threaded Shaft
-	0017-00101-0333	1	Hardware: Screw 0.3125"
-	AK58-00053-0002	1	Idler Arm Assembly
-	OK58-01085-0000	1	Extension Spring
-	OK58-01263-0001	1	Tinsel Bracket

Leveler Assembly



Ref #	Part Number	Qty	Description
-	OK58-01098-0000	1	Hardware: Pivot Pin
-	OK58-01099-0000	1	Hardware: Stop Nut
-	0017-00104-0190	4	Hardware: Flat Washer 0.734" OD
-	OK58-01110-0000	1	Leveler Foot
-	OK58-01083-0000	1	Leveler Bracket
-	AK58-00370-0000	1	Leveler Assembly
-	0017-00104-0333	4	Hardware: Washer 0.683" OD
-	0017-00101-1253	4	Hardware: Screw

Lift Motor And Frame

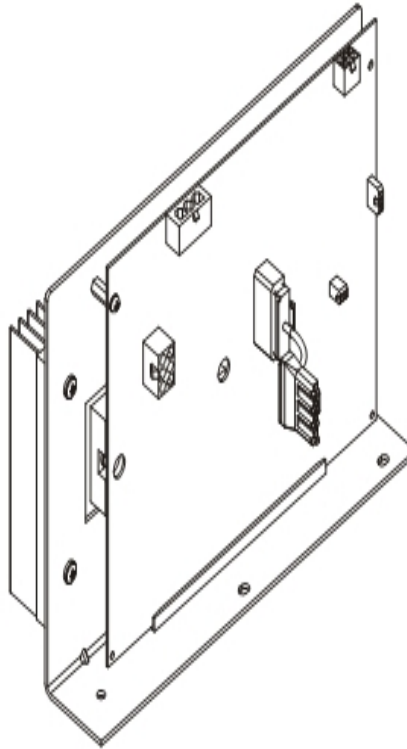


Ref #	Part Number	Qty	Description
-	0017-00103-0285	2	Hardware: Nut 5/8" ID
-	0017-00007-0208	1	Hardware: Cotter Pin
-	0017-00101-1621	2	Hardware: Phillips Screw 0.5"
-	0017-00101-1777	2	Hardware: Lift Frame Mounting Bolt 2.75"
-	0017-00104-0189	2	Hardware: Flat Washer 1" OD
-	0017-00101-1723	2	Hardware: Phillips Pan Screw 0.375"
-	0017-00042-1145	1	Power Cord Retainer
-	0017-00101-1021	1	Hardware: Lift Motor Hex Bolt 2.5"
-	0017-00103-0025	1	Hardware: Locking Nut 3/8" ID
-	0017-00104-0259	2	Hardware: Washer 1.331" OD
-	0017-00042-1076	1	Lift Frame End Cap
-	AK58-00220-0000	1	LIFT-FRAME ASSY: MFG. C
-	0K58-01062-0000	1	Lift Motor - 120/60
-	0K58-01089-0000	2	Bronze Sleeve Bushings
-	0017-00042-0840	1	Hardware: Push Mount Clip
-	0K58-01071-0000	2	Wheel
-	0017-00042-1075	1	Vinyl Cap
-	0017-00003-0949	1	IEC Receptacle
-	0017-00007-0214	1	Hardware: Clevis Pin 3/8" D 1.75" L

Miscellaneous

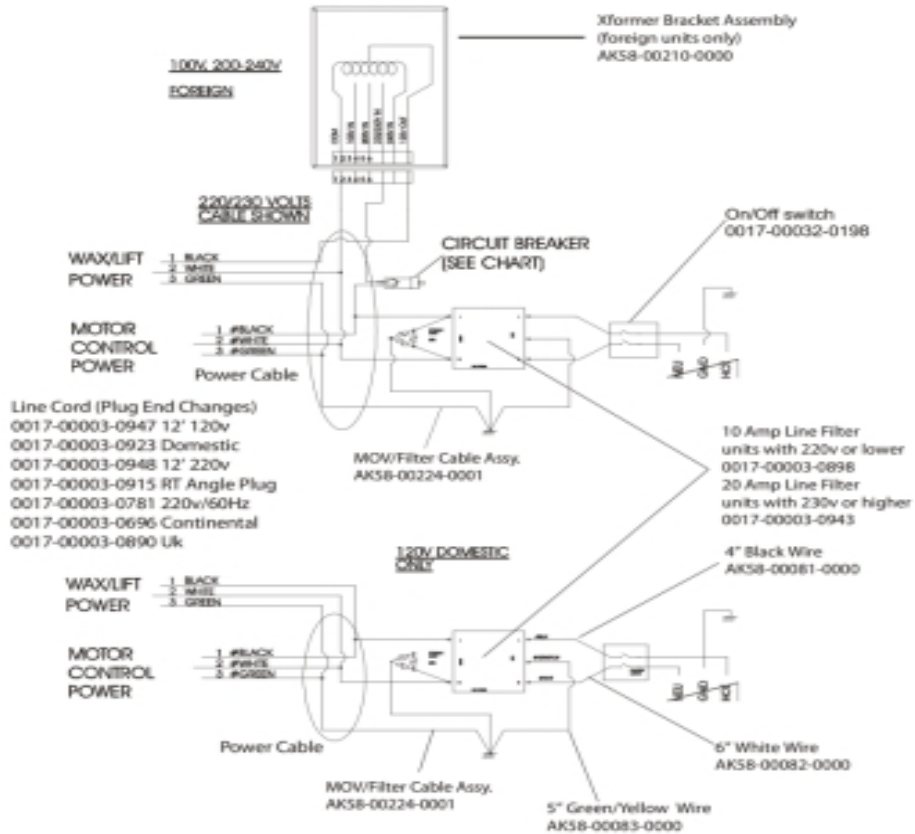
Ref #	Part Number	Qty	Description
-	0017-00008-0197	1	Paint: Silver Bullet; 4.5OZ. Can
-	0017-00008-0199	1	Paint: Stealth Grey; 4.5OZ. Can
-	0017-00008-0196	1	Paint: Silver Bullet; .6OZ. Bottle
-	0017-00008-0198	1	Paint: Stealth Grey; .6OZ. Bottle B

Motor Controller Assembly



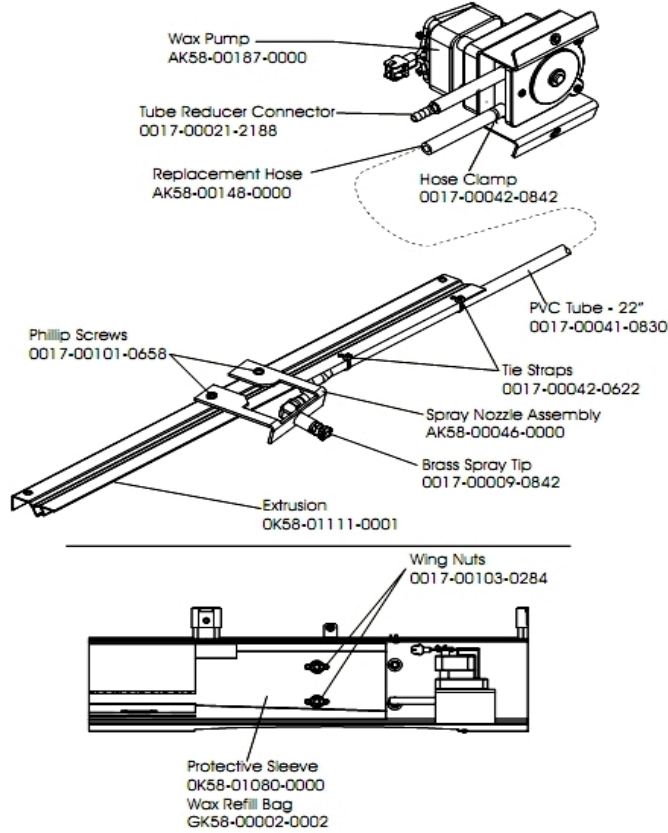
Ref #	Part Number	Qty	Description
-	GK65-00002-0019	2	Motor Controller Assembly (200-240V)

Power Components



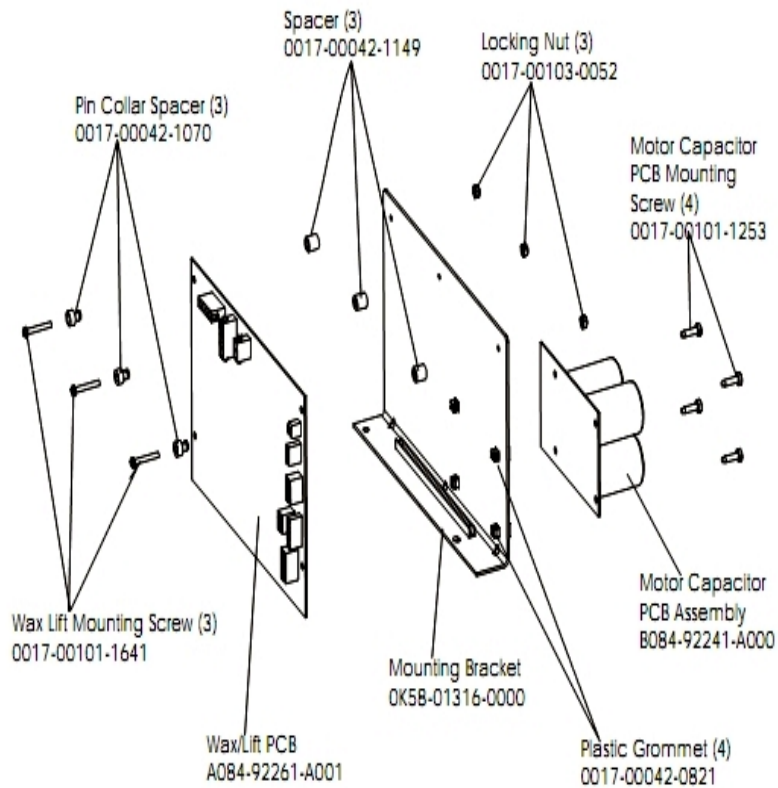
Ref #	Part Number	Qty	Description
-	0017-00003-0943	1	10 Amp Line Filter 230v or higher
-	0017-00003-0948	1	12' 220v Line Cord
-	AK58-00302-0003	1	Power Cable: 220/230V
-	AK58-00081-0000	1	Jumper Cable Assembly: Black - 4"
-	0017-00003-0696	1	Line Cord: International High Voltage (Cont.) 103"
-	0017-00032-0198	1	On/Off Switch 22A
-	AK58-00082-0000	1	Jumper Cable Assembly: White - 6"
-	0017-00003-0626	1	CIRCUIT-BREAKER:2A 200-240V
-	AK58-00224-0001	2	Cable: MOV; Fliter
-	0017-00003-0915	1	Line Cord RT Angle Plug
-	AK58-00083-0000	1	Cable Assembly
-	0017-00003-0898	1	10 amp Line Filter (INT)
-	AK58-00210-0000	1	Transformer-Bracket Assembly

Wax Components



Ref #	Part Number	Qty	Description
-	0K58-01111-0001	1	Extrusion Assembly
-	GK58-00002-0002	1	Wax Refill Bag
-	AK58-00046-0000	1	Spray Nozzle Assembly
-	AK58-00187-0000	1	Wax Pump
-	0K58-01080-0000	1	Protective Sleeve
-	0017-00103-0284	1	Hardware: Wing Nut
-	0017-00101-0658	1	Hardware: Access Panel Screws
-	0017-00042-0842	1	Hose Clamp
-	0017-00042-0622	1	Cable Tie
-	0017-00021-2188	1	Tube Reducer Connector
-	AK58-00148-0000	1	Replacement Hose
-	0017-00009-0842	1	Brass Spray Tip
-	0017-00041-0830	1	TUBING: PVC; REINFORCED B

Wax/Lift Assembly



Ref #	Part Number	Qty	Description
-	0017-00042-1070	3	Pin Collar Spacer
-	0017-00042-1149	3	Spacer
-	0017-00103-0052	3	Hardware: Locking Nut ID
-	B084-92241-A000	1	Motor Capacitor PCB Assembly
-	0017-00101-1253	4	Hardware: Screw
-	A084-92253-A002	1	Wax/Lift PCB
-	OK58-01316-0000	1	Mounting Bracket
-	0017-00101-1641	3	Hardware: Phillips Pan Screw
-	0017-00042-0821	4	Hardware: Plastic Grommet

