

95Te Treadmill w/Integrated LCD screen

95TE-0201-08

Parts Manual

1/5/2019 10:57:39 AM

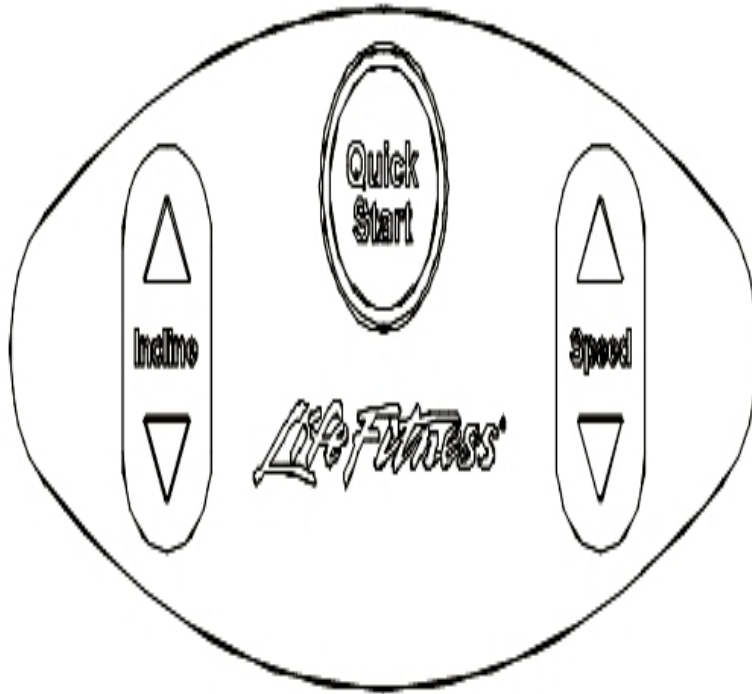


LifeFitness
WHAT WE LIVE FOR

Table of Contents

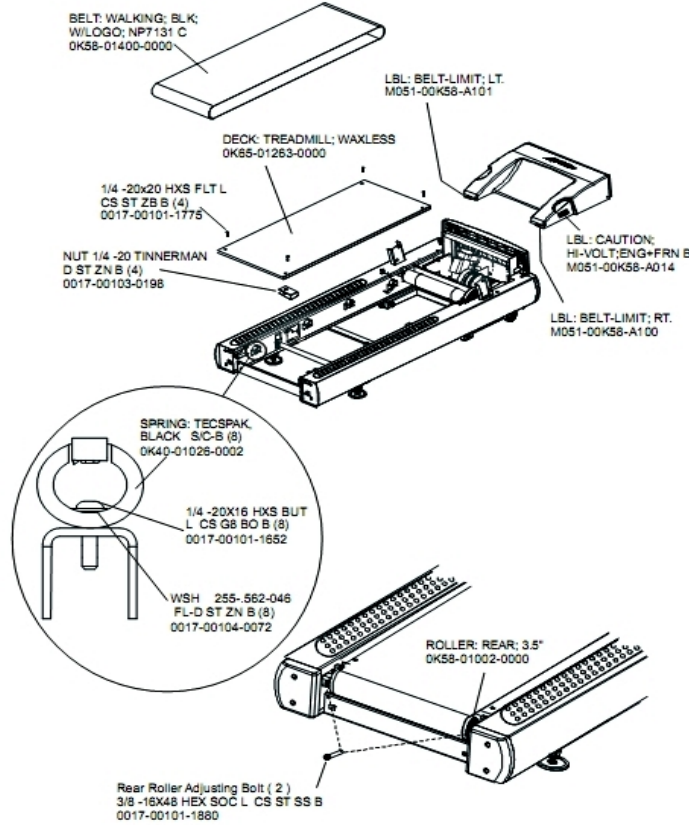
Activity Zone Module With Overlay Assembly	3
Belt, Deck, And Rear Roller	4
Block Diagram 1	5
Block Diagram 2	6
Block Diagram 3	7
Console And Overlay	8
Console Components 1	9
Console Components 2	10
Drive Motor Assembly	11
DSP - Controller	12
Ergo Bar, Heart Rate Sensors And Activity Zone	13
Front Roller Assembly	14
Idler Arm	15
Leg Leveler Assembly	16
Lift Frame, Lift Motor, And IEC Receptacle	17
Line Cords	18
Miscellaneous	19
Motor Cover, Front Cover And Front End Caps	21
On/Off Switch, Access Plate And Grommets	22
Rear End Caps And Cup Holders	23
Scuff Pad And Tinsel	24
Stride Sensor And Stride Sensor Pcb Assemblies	25
Uprights And Handrails	26

Activity Zone Module With Overlay Assembly



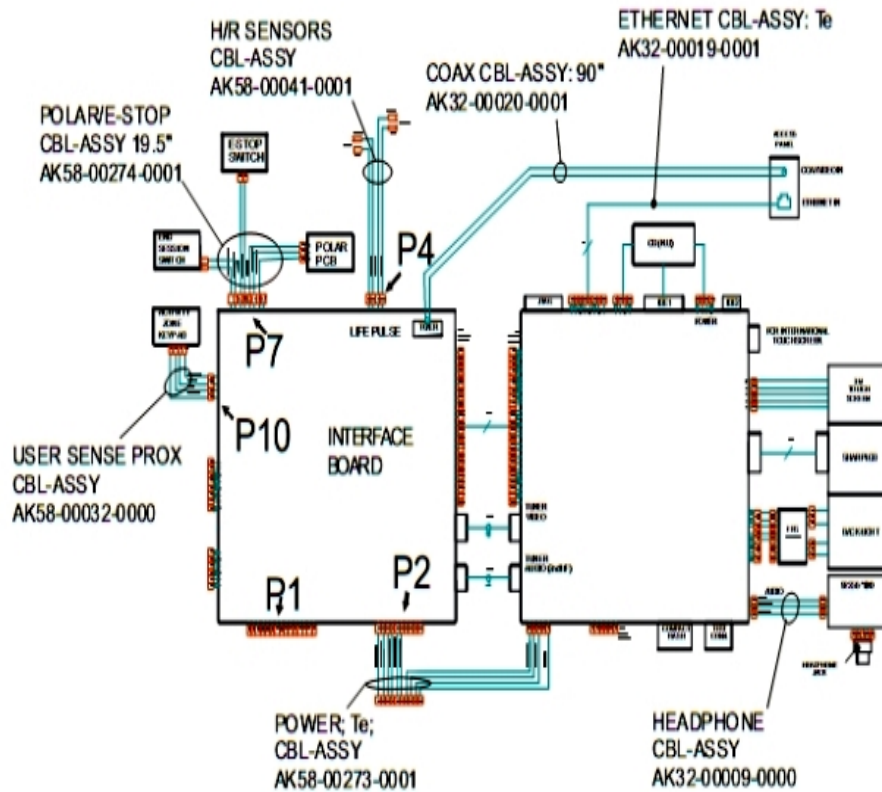
Ref #	Part Number	Qty	Description
-	AK58-00556-0003	1	Activity Zone Assembly: German/Metric
-	0K58-01461-0003	1	Activity Zone Overlay German/Metric

Belt, Deck, And Rear Roller



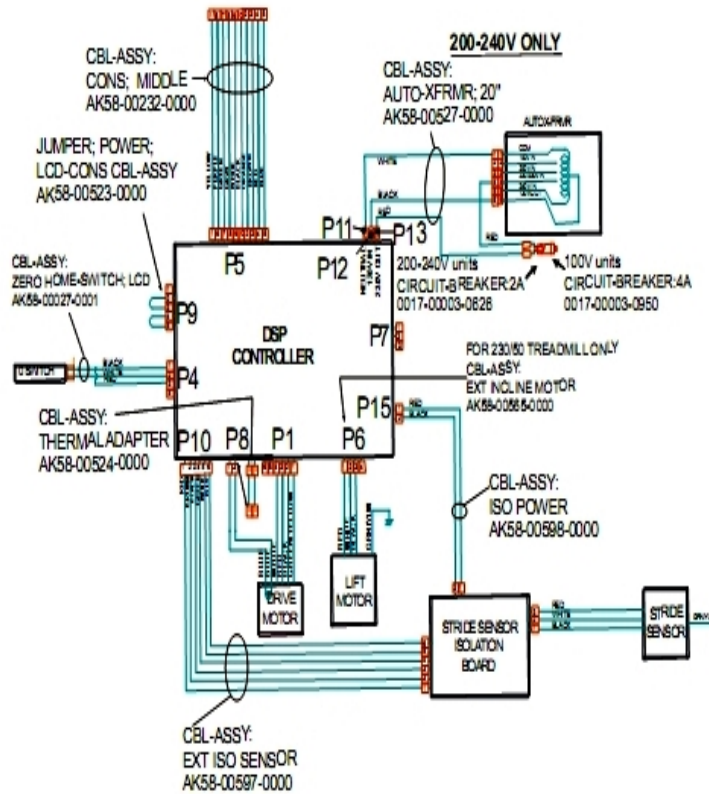
Ref #	Part Number	Qty	Description
-	0017-00101-1775	4	Hardware: Deck Screws 1.25"
-	M051-00K58-A101	1	Belt Limit Label. Left
-	M051-00K58-A014	1	Label: Caution
-	0K58-01002-0000	1	Rear Roller - 3.5"
-	0017-00101-1880	2	Hardware: Tension Bolts 3"
-	0017-00101-1652	8	Hardware: Spring Mounting Screw 1"
-	0K58-01400-0000	1	Striding Belt
-	M051-00K58-A100	1	Label: Belt Limit: Right
-	0017-00104-0072	8	Hardware: Flat Washer 0.562" OD
-	0017-00103-0198	4	Hardware: Tinnerman Clip 1/4" ID
-	0K65-01263-0000	1	Deck
-	0K40-01026-0002	8	Deck Spring

Block Diagram 1



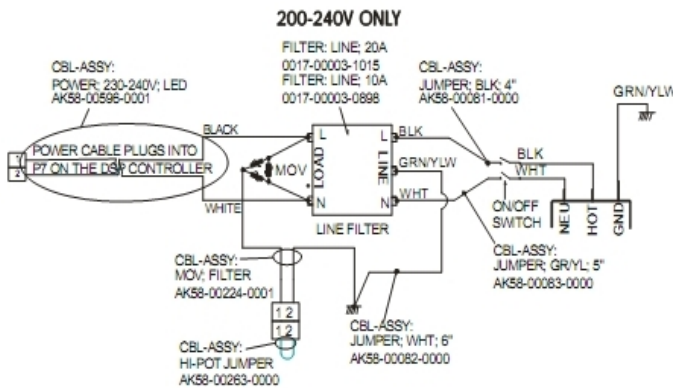
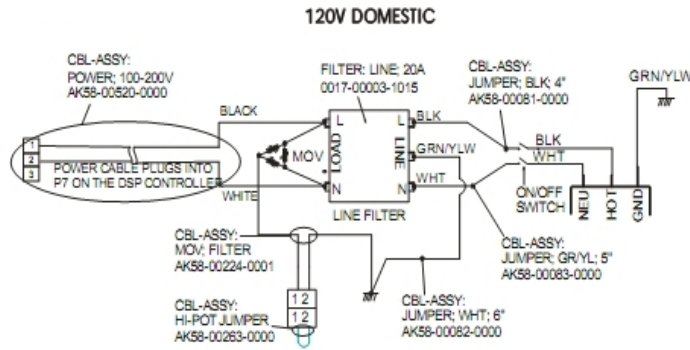
Ref #	Part Number	Qty	Description
-	AK32-00009-0000	1	Headphone Jack Cable
-	AK58-00274-0001	1	Polar and Stop Switches: 19.5"
-	AK58-00041-0001	1	Heart Rate Sensor Cable
-	AK58-00032-0000	1	User Proximity Sensor Cable
-	AK32-00019-0001	1	Ethernet Cable
-	AK58-00273-0001	1	Power Cable
-	AK32-00020-0001	1	Coax Cable: 90"

Block Diagram 2



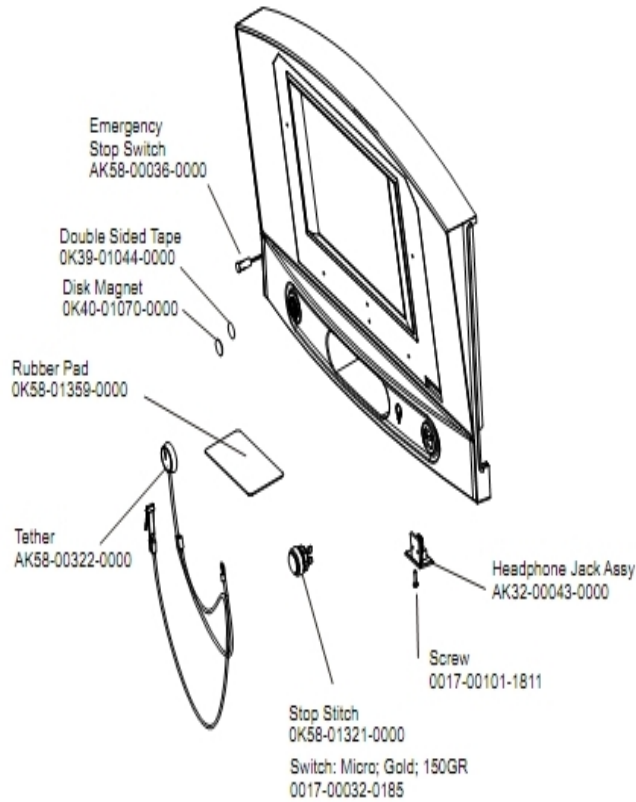
Ref #	Part Number	Qty	Description
-	0017-00003-0626	1	CIRCUIT-BREAKER:2A 200-240V
-	AK58-00565-0000	1	Cable Extension: 230/50V
-	AK58-00598-0000	1	Cable: ISO Power
-	AK58-00524-0000	1	Cable: Thermal Adapter
-	AK58-00027-0001	1	Cable Assy: 230V
-	AK58-00523-0000	1	Cable: Jumper; Power; LCD Console
-	AK58-00527-0000	1	Auto-Transformer: Use on High Voltage
-	AK58-00597-0000	1	Cable Extension ISO Sensor
-	AK58-00232-0000	1	Cable-Assembly: Console; Middle

Block Diagram 3



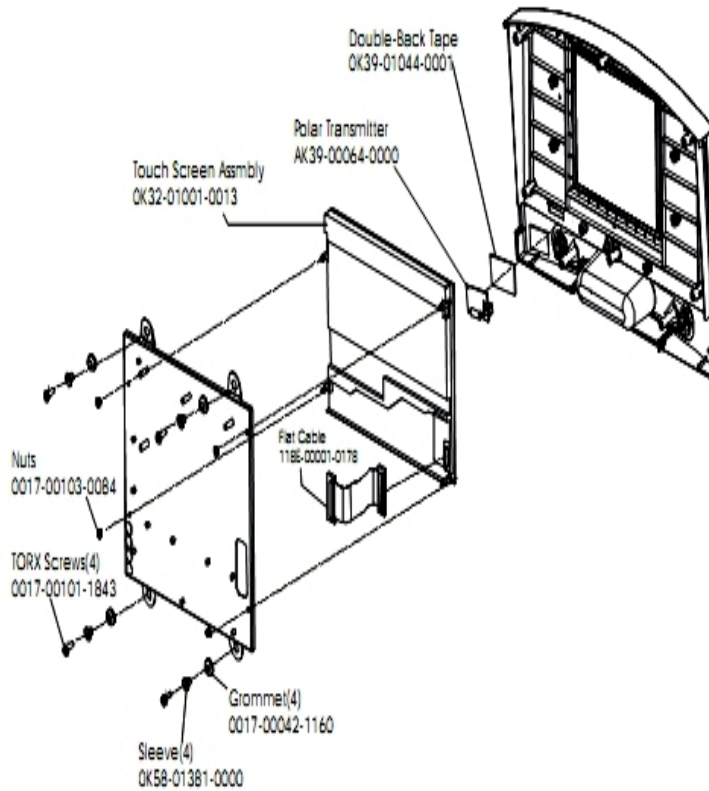
Ref #	Part Number	Qty	Description
-	AK58-00082-0000	1	Jumper Cable Assembly: White - 6"
-	AK58-00083-0000	1	Cable Assembly
-	AK58-00224-0001	1	Cable: MOV; Fliter
-	0017-00003-1015	1	20 amp Line Filter (DOM)
-	0017-00003-0898	1	10 amp Line Filter (INT)
-	AK58-00596-0001	1	Power Cable: 230-240V
-	AK58-00263-0000	1	Hi-Pot Jumper Cable
-	AK58-00081-0000	1	Jumper Cable Assembly: Black - 4"

Console And Overlay



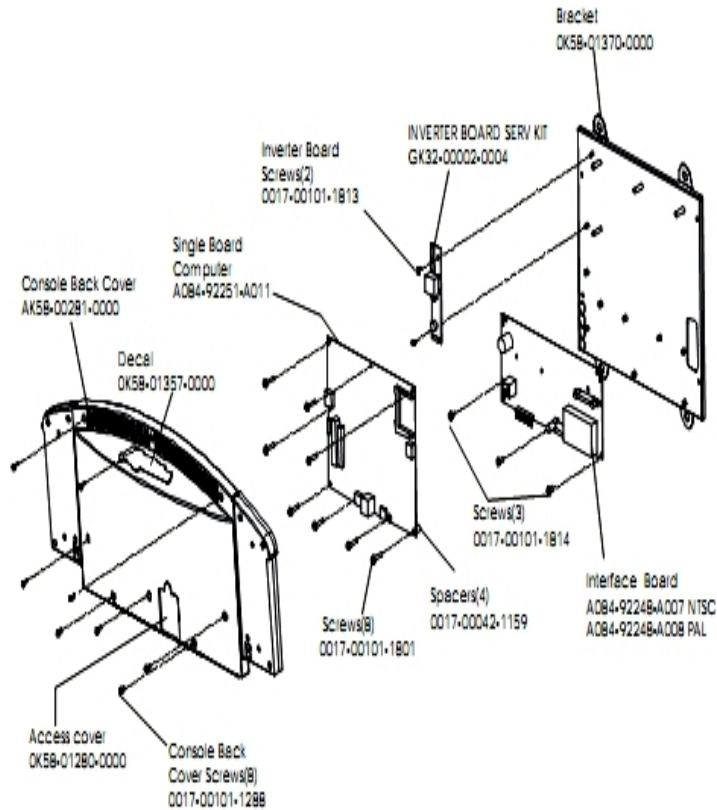
Ref #	Part Number	Qty	Description
-	OK58-01359-0000	1	Rubber Pad
-	GK58-00002-0105	1	Console with FM German/ PAL
-	0017-00101-1811	1	Hardware: Phillips Pan Screw 0.625"
-	OK39-01044-0000	1	Tape
-	OK58-01321-0000	1	Stop Switch
-	OK40-01070-0000	1	Magnetic Disk
-	AK58-00036-0000	1	Cable-Assembly: Emergency-Stop Switch
-	AK58-00322-0000	1	Tether Stop Assembly
-	0017-00032-0185	1	Micro Switch 150GR
-	AK32-00043-0000	1	Headphone Jack
-	AK58-00517-0003	1	Bezel Switch with Overlay: German/PAL

Console Components 1



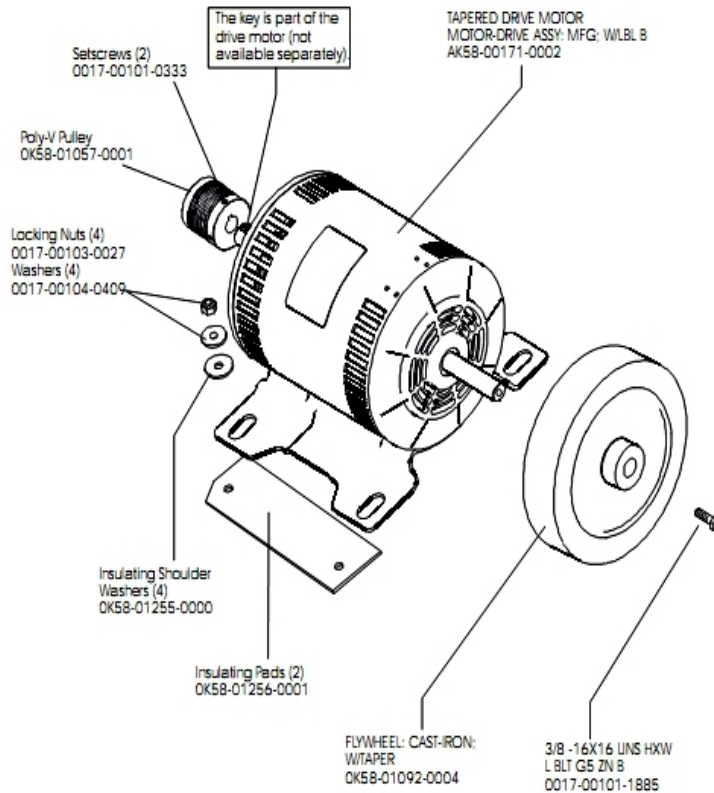
Ref #	Part Number	Qty	Description
-	OK39-01044-0001	1	Double-sided Tape
-	0017-00101-1843	4	Hardware: Screw
-	0017-00042-1160	4	Grommet
-	OK58-01381-0000	4	Shoulder Bushing
-	118E-00001-0178	1	Flat Flex Cable
-	0017-00103-0084	4	Hardware: Nut
-	OK32-01001-0013	1	LCD Touchscreen Assembly
-	OK32-01001-0013	1	LCD Touchscreen Assembly
-	OK32-01001-0013	1	LCD Touchscreen Assembly
-	OK32-01001-0013	1	LCD Touchscreen Assembly
-	118E-00001-0259	1	Wireless Receiver Module, Non-Coded

Console Components 2



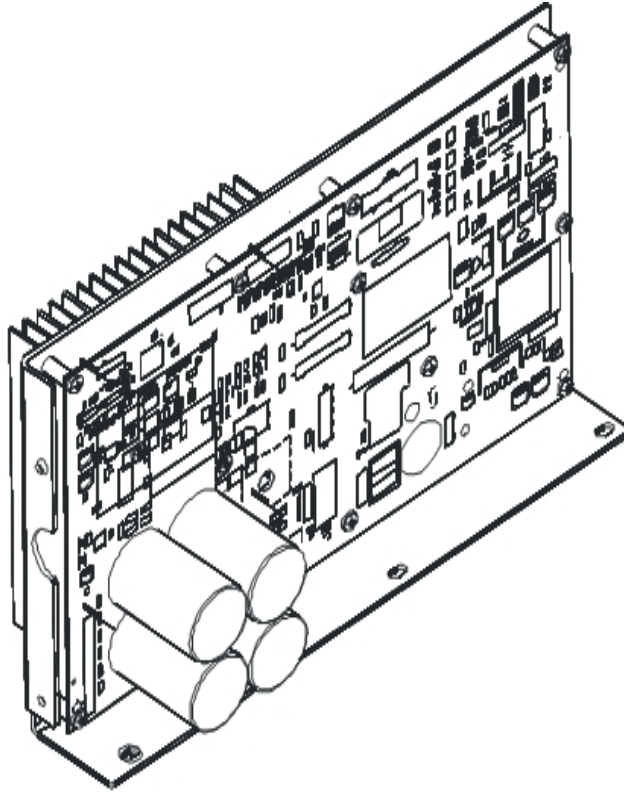
Ref #	Part Number	Qty	Description
-	OK58-01357-0000	1	Decal
-	A084-92251-A011	1	Single Board Computer
-	0017-00101-1288	8	Hardware: Phillips Screw 0.5"
-	0017-00101-1801	8	Hardware: Screw
-	0017-00101-1813	2	Hardware: Inverter Board Screw
-	OK58-01280-0000	1	Accessory Cover
-	AK58-00281-0000	1	Console Back Cover
-	OK58-01370-0000	1	Bracket
-	0017-00042-1159	4	Spacers
-	A084-92248-A008	1	Interface Board PAL
-	A084-92248-A007	1	Interface Boards NTSC
-	0017-00101-1814	3	Hardware: Screw
-	A084-92248-A007	1	Interface Boards NTSC
-	A084-92248-A007	1	Interface Boards NTSC
-	A084-92248-A007	1	Interface Boards NTSC
-	GK32-00002-0004	1	Inverter Board

Drive Motor Assembly



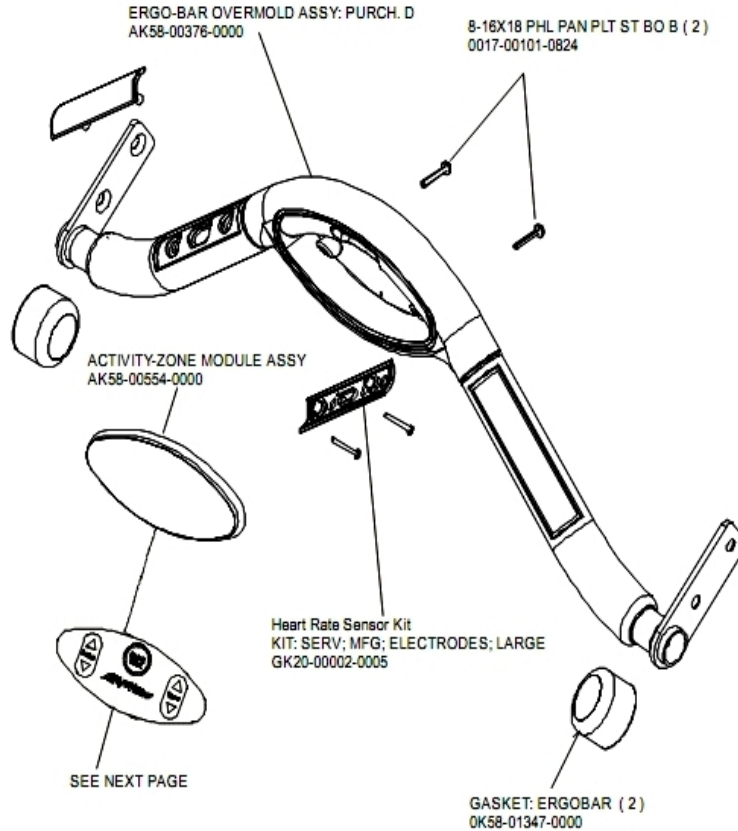
Ref #	Part Number	Qty	Description
-	0K58-01092-0004	1	Cast Iron Flywheel
-	0K58-01386-0004	1	MOTOR: MAIN DRIVE, 230V/50HZ, W/TAPER
-	0017-00104-0409	4	Hardware: Washer 1.125" OD
-	0017-00101-0333	2	Hardware: Screw 0.3125"
-	0017-00103-0027	4	Hardware: Locking Nut. 5/16" ID
-	0K58-01255-0000	4	Hardware: Insulating Washers
-	0017-00101-1885	1	Hardware: Hex Bolt 1"
-	0K58-01057-0001	1	Drive Pulley - 1.971"
-	0K58-01256-0001	2	Insulating Pad

DSP - Controller



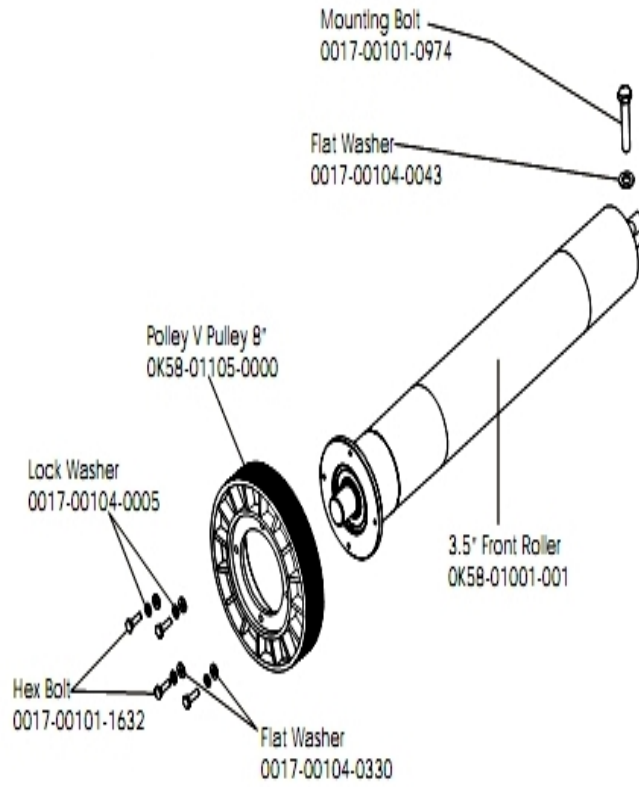
Ref #	Part Number	Qty	Description
-	GK58-00002-0121	1	Display Controller 200-240; LCD
-	GK58-00002-0121	1	Display Controller 200-240; LCD
-	GK58-00002-0121	1	Display Controller 200-240; LCD
-	GK58-00002-0121	1	Display Controller 200-240; LCD

Ergo Bar, Heart Rate Sensors And Activity Zone



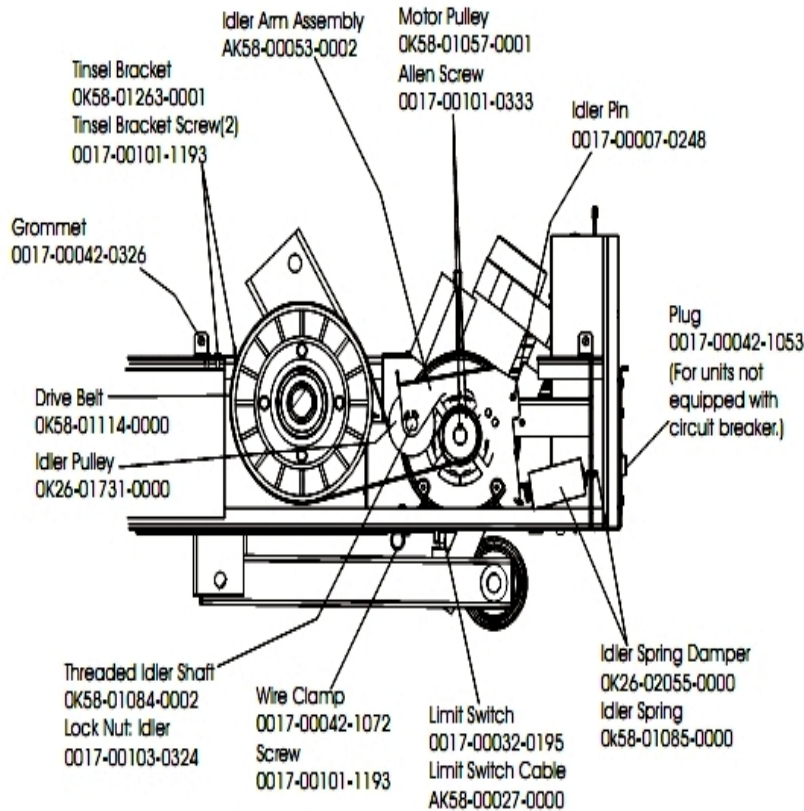
Ref #	Part Number	Qty	Description
-	AK58-00554-0201	1	Activity-Zone Module Assembly: Purchased; Generic Shadow Grey
-	GK20-00002-0005	2	Heart Rate Electrode Kit
-	0017-00101-0824	2	Hardware: Screw 1.125"
-	OK58-01347-0000	2	ErgoBar Gasket
-	AK58-00376-0001	1	Ergo-Bar Overmold Assembly

Front Roller Assembly



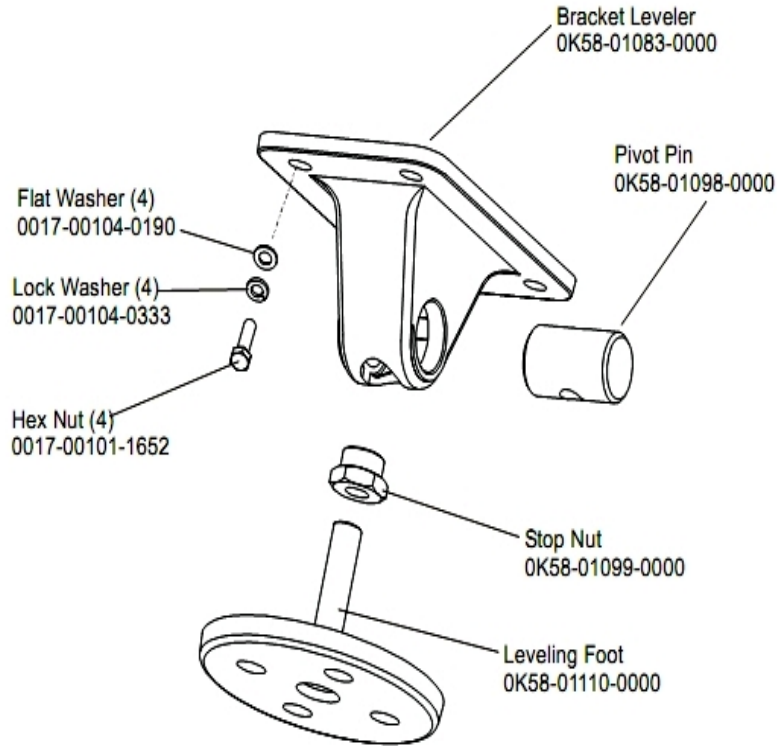
Ref #	Part Number	Qty	Description
-	0017-00101-0974	1	Hardware: Mounting Bolt 2"
-	0017-00101-1632	2	Hardware: Hex Bolt 0.875"
-	OK58-01105-0000	1	Drive Pulley Poly V - 8"
-	OK58-01001-0001	1	Front Roller - 3.5"
-	0017-00104-0005	2	Hardware: Lock Washer 0.489" OD
-	AK58-00066-0000	1	Front Roller Assembly
-	0017-00104-0330	2	Hardware: Flat Washers 0.562" OD
-	0017-00104-0043	1	Hardware: Flat Washer 0.734" OD

Idler Arm



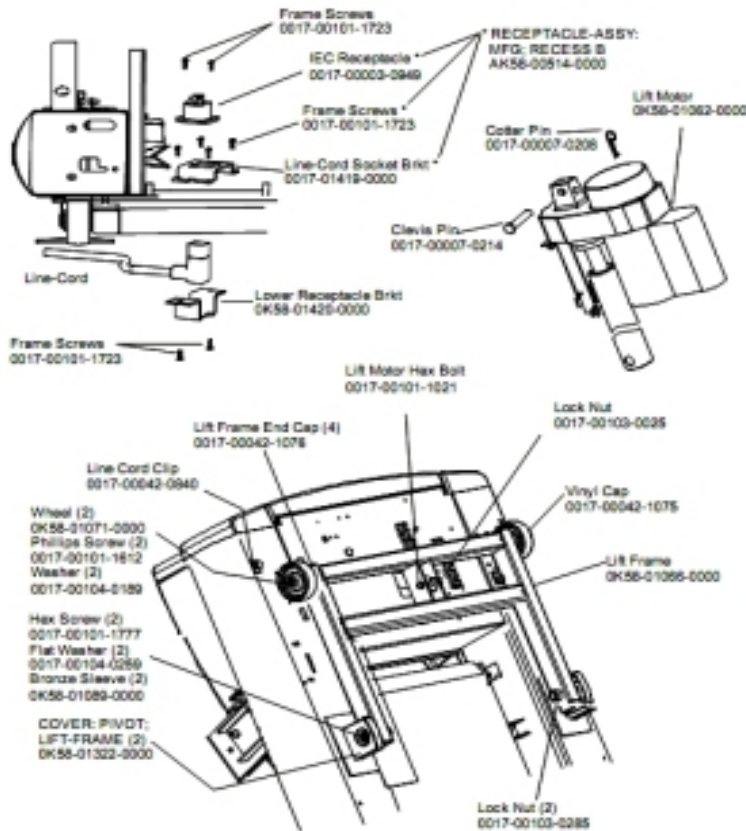
Ref #	Part Number	Qty	Description
-	OK58-01057-0001	1	Drive Pulley - 1.971"
-	0017-00042-1053	1	Plug (For units not equipped with circuit breaker.)
-	0017-00103-0324	1	Hardware: Thin Lock Nut 3/8" ID
-	AK58-00027-0000	1	Limit Switch Cable
-	OK26-01731-0000	1	Plastic Idler 2 5/8" OD
-	OK26-02055-0000	1	Spring Damper
-	0017-00032-0195	1	Home Switch
-	0017-00042-1072	1	Hardware: Wire Clamp - 5/8"
-	0017-00007-0248	1	Hardware: Locking Pin .31" D 2.125" L
-	0017-00042-0326	1	Hardware: Plastic Grommet
-	0017-00101-1193	3	Hardware: Screw 0.375"
-	OK58-01114-0000	1	Poly-V Drive Belt - 370J12
-	OK58-01084-0002	1	Threaded Shaft
-	0017-00101-0333	1	Hardware: Screw 0.3125"
-	AK58-00053-0002	1	Idler Arm Assembly
-	OK58-01085-0000	1	Extension Spring
-	OK58-01263-0001	1	Tinsel Bracket

Leg Leveler Assembly



Ref #	Part Number	Qty	Description
-	AK58-00370-0000	1	Leveler Assembly
-	0017-00101-1652	4	Hardware: Spring Mounting Screw 1"
-	0017-00104-0190	4	Hardware: Flat Washer 0.734" OD
-	0017-00104-0333	4	Hardware: Washer 0.683" OD
-	OK58-01110-0000	1	Leveler Foot
-	OK58-01098-0000	1	Hardware: Pivot Pin
-	OK58-01099-0000	1	Hardware: Stop Nut
-	OK58-01083-0000	1	Leveler Bracket

Lift Frame, Lift Motor, And IEC Receptacle



Ref #	Part Number	Qty	Description
-	AK58-00220-0000	1	LIFT-FRAME ASSY: MFG. C
-	0017-00042-1076	4	Lift Frame End Cap
-	0K58-01322-0000	2	Lift Frame Pivot Cover
-	0K58-01062-0000	1	Lift Motor - 120/60
-	0K58-01420-0000	1	Lower Receptacle Bracket
-	0017-00042-0840	1	Hardware: Push Mount Clip
-	0K58-01089-0000	2	Bronze Sleeve Bushings
-	0017-00101-1612	2	Hardware: Phillips Screw 0.5"
-	0017-00042-1075	1	Vinyl Cap
-	0017-00003-0949	1	IEC Receptacle
-	0K58-01071-0000	2	Wheel
-	0017-00007-0214	1	Hardware: Clevis Pin 3/8" D 1.75" L
-	0017-00104-0259	2	Hardware: Washer 1.331" OD
-	0017-00103-0025	1	Hardware: Locking Nut 3/8" ID
-	0017-00101-1021	1	Hardware: Lift Motor Hex Bolt 2.5"
-	0017-00103-0285	4	Hardware: Nut 5/8" ID
-	0K58-01419-0000	1	Line Cord Socket Bracket
-	0017-00007-0208	1	Hardware: Cotter Pin
-	0017-00101-1777	2	Hardware: Lift Frame Mounting Bolt 2.75"
-	0017-00104-0189	2	Hardware: Flat Washer 1" OD
-	0017-00101-1723	8	Hardware: Phillips Pan Screw 0.375"
-	AK58-00514-0000	1	Receptacle Assembly

Line Cords

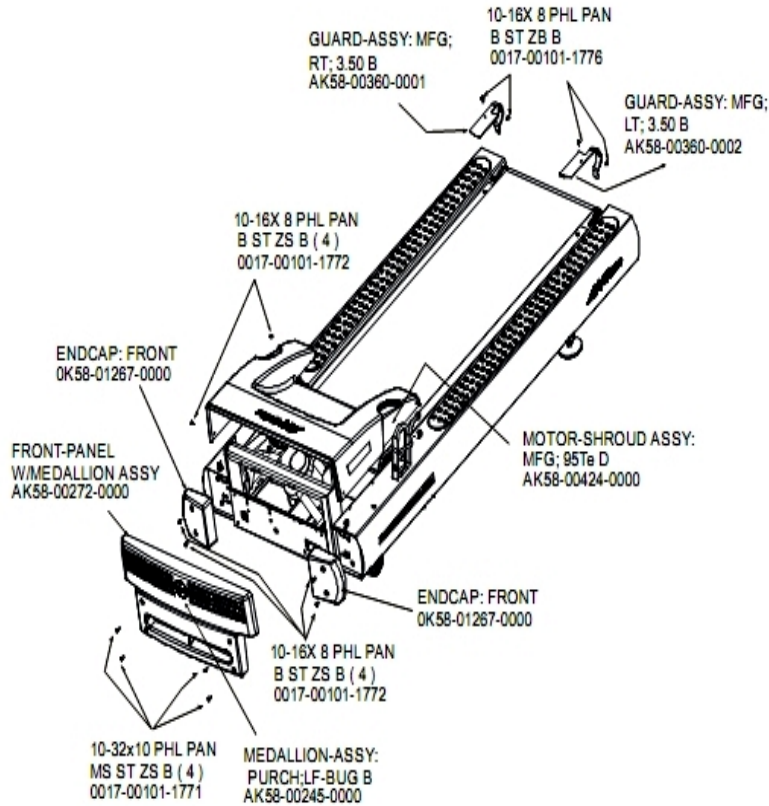
Ref #	Part Number	Qty	Description
-	0017-00003-0980	1	Line Cord: US Low Voltage 144"
-	0017-00003-0948	1	12' 220v Line Cord
-	0017-00003-0981	1	LINE-CORD: R/A; with PLUG 220/60 7.5'
-	0017-00003-0696	1	Line Cord: International High Voltage (Cont.) 103"

Miscellaneous

Ref #	Part Number	Qty	Description
-	0017-00009-1049	1	Torx Wrench
-	0017-00101-1773	6	Hardware: TORX Screw 0.5"
-	GK58-00002-0071	4	Anti-Slip Rail
-	0017-00101-1780	8	Hardware: Mounting Screws
-	0017-00101-1774	4	Hardware: TORX Screw 2.5"
-	0017-00008-0211	1	Paint: Shadow-Gray Touch Up: .6 OZ Bottle
-	0017-00104-0325	4	Hardware: Washer 0.873" OD
-	0017-00101-1776	4	Hardware: Mounting Screw 0.5"
-	0017-00008-0210	1	Paint: Shadow-Gray Touch Up: .6 OZ Bottle
-	0017-00101-1778	4	Hardware: Hex Bolt 1"
-	AK58-00226-0000	1	Hardware Bag
-	AK58-00360-0001	1	Rear Roller Guard: Right
-	GK58-00002-0095	1	Roller Guard kit
-	0017-00008-0205	1	5 oz Bottle - Arctic Silver
-	0017-00008-0204	1	Paint Spray Can - Arctic Silver
-	0017-00042-0840	5	Hardware: Push Mount Clip
-	0017-00101-1770	6	Hardware: Phillips Pan Screw 0.5"
-	0K58-01376-0000	2	Anti-Scuff Pad
-	0017-00101-1772	6	Hardware: Phillips Pan Screw 0.5"
-	AK58-00360-0002	1	Rear Roller Guard: Left
-	0017-00008-0206	1	.33oz Pen - Arctic Silver
-	0017-00042-0326	4	Hardware: Plastic Grommet

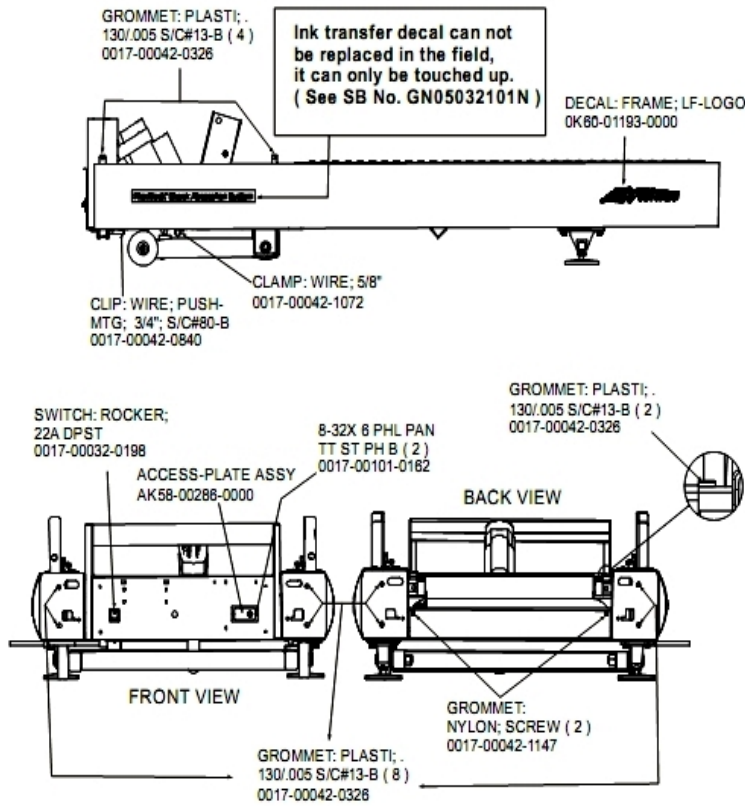
Ref #	Part Number	Qty	Description
-	0017-00042-1147	2	Hardware: Nylon Grommet
-	0017-00103-0327	4	Hardware: Hex Nut 5/16" ID
-	0K58-01305-0002	2	Upright Plug
-	0K58-01347-0000	2	ErgoBar Gasket

Motor Cover, Front Cover And Front End Caps



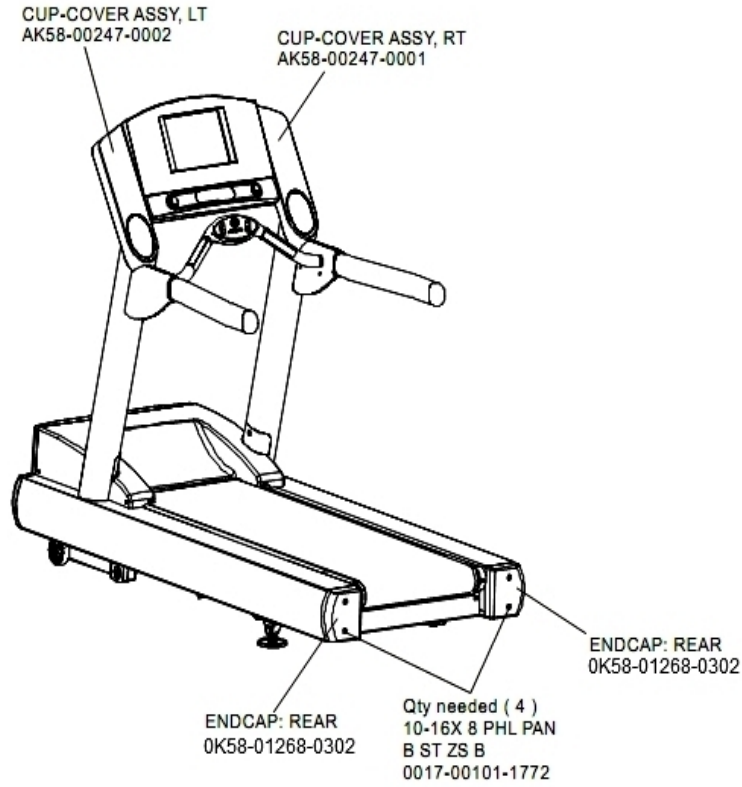
Ref #	Part Number	Qty	Description
-	OK58-01267-0000	2	End Cap
-	0017-00101-1776	1	Hardware: Mounting Screw 0.5"
-	AK58-00360-0002	1	Rear Roller Guard: Left
-	AK58-00245-0000	1	Bug Medallion
-	AK58-00272-0000	1	Front Panel with Medallion
-	AK58-00424-0000	1	Motor Shroud
-	0017-00101-1772	8	Hardware: Phillips Pan Screw 0.5"
-	0017-00101-1771	4	Hardware: Phillips Pan Screw
-	AK58-00360-0001	1	Rear Roller Guard: Right

On/Off Switch, Access Plate And Grommets



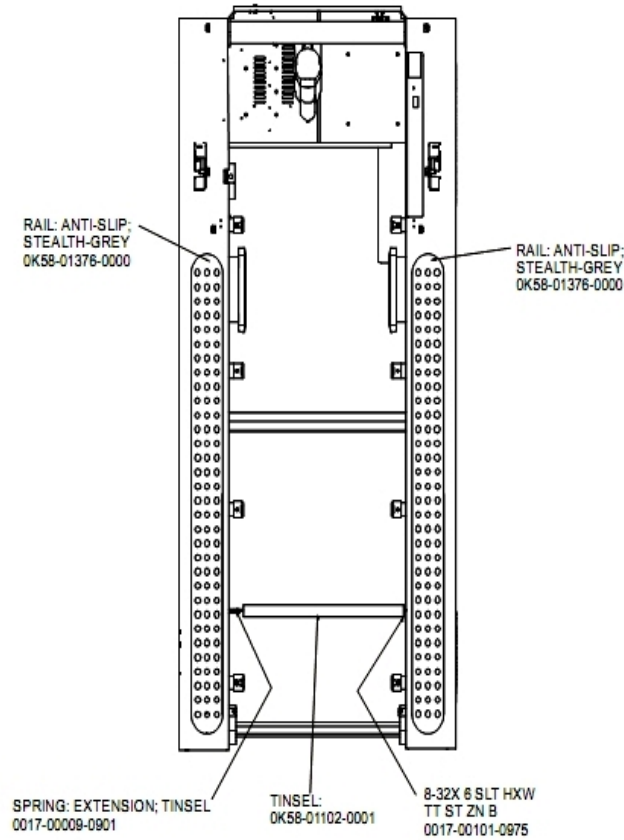
Ref #	Part Number	Qty	Description
-	0017-00101-0162	2	Hardware: Screw 0.375"
-	AK58-00286-0000	1	Access Plate
-	0017-00042-0840	1	Hardware: Push Mount Clip
-	0K60-01193-0000	2	Decal: LF Logo
-	0017-00032-0198	1	On/Off Switch 22A
-	0017-00042-0326	14	Hardware: Plastic Grommet
-	0017-00042-1147	2	Hardware: Nylon Grommet
-	0017-00042-1072	1	Hardware: Wire Clamp - 5/8"

Rear End Caps And Cup Holders



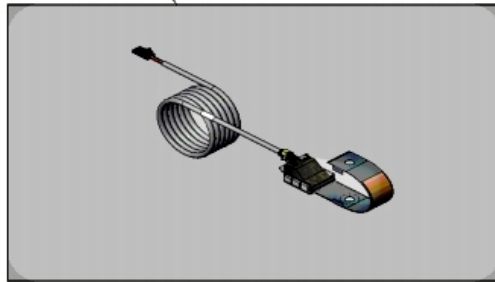
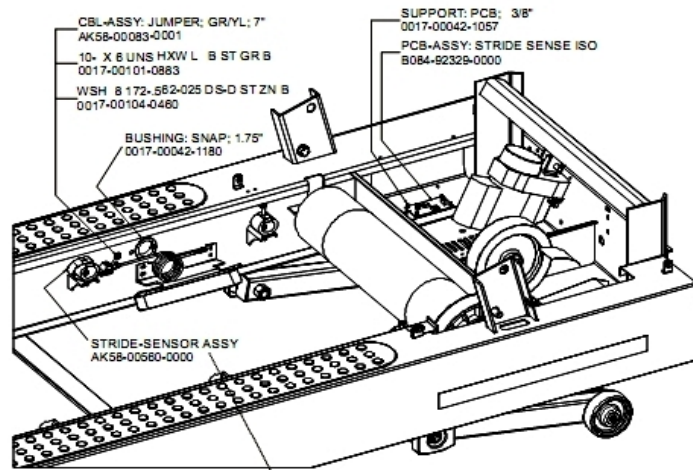
Ref #	Part Number	Qty	Description
-	OK58-01268-0302	3	ENDCAP: REAR; STEALTH D
-	AK58-00247-0002	1	Cup Holder Left
-	AK58-00247-0001	1	Cup Holder Right
-	0017-00101-1772	4	Hardware: Phillips Pan Screw 0.5"

Scuff Pad And Tinsel



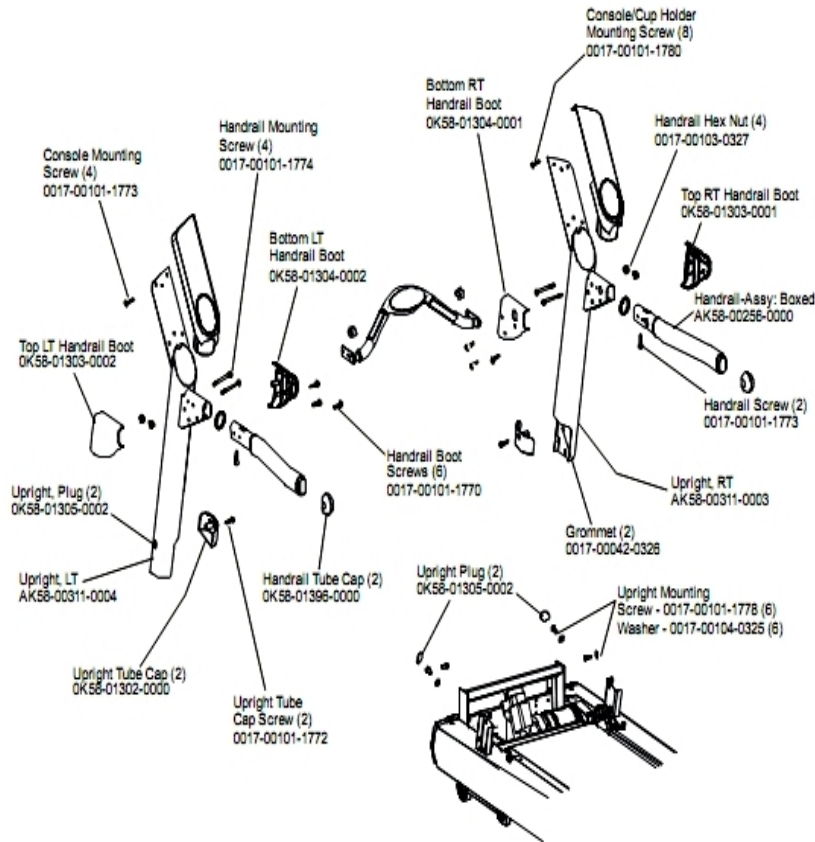
Ref #	Part Number	Qty	Description
-	0017-00101-0975	1	Hardware: Mounting Bolt 0.375"
-	OK58-01102-0001	1	Anti-Static Tinsel
-	0017-00009-0901	1	Tinsel Extension Spring
-	OK58-01376-0000	3	Anti-Scuff Pad

Stride Sensor And Stride Sensor Pcb Assemblies



Ref #	Part Number	Qty	Description
-	0017-00042-1057	1	Support: Printed Circuit Board; 3/8"
-	0017-00042-1180	1	Hardware: Snap Bushing - 1.75"
-	0017-00101-0883	1	Hardware: Screw 0.375"
-	AK58-00560-0000	1	Stride Sensor Assembly
-	0017-00104-0460	1	Hardware: Lockwasher 0.562" OD
-	AK58-00083-0001	1	Jumper Cable Assembly: Green/Yellow - 7"
-	B084-92329-0000	1	PCB-ASSY: STRIDE SENSE ISO

Uprights And Handrails



Ref #	Part Number	Qty	Description
-	0017-00101-1773	6	Hardware: TORX Screw 0.5"
-	AK58-00311-0003	1	Upright: Right
-	OK58-01396-0000	2	Endcap
-	OK58-01303-0002	1	Top Left Handrail Boot
-	OK58-01304-0001	1	Bottom Right Handrail Boot
-	OK58-01304-0002	1	Bottom Left Handrail Boot
-	0017-00101-1772	2	Hardware: Phillips Pan Screw 0.5"
-	OK58-01303-0001	1	Top Right Handrail Boot
-	0017-00042-0326	2	Hardware: Plastic Grommet
-	0017-00103-0327	4	Hardware: Hex Nut 5/16" ID
-	OK58-01302-0103	2	Cap: Upright Tube; Arctic Silver
-	OK58-01305-0002	4	Upright Plug
-	AK58-00256-0001	1	Handrail
-	AK58-00311-0004	1	Upright: Left
-	0017-00101-1778	6	Hardware: Hex Bolt 1"
-	0017-00104-0325	6	Hardware: Washer 0.873" OD
-	0017-00101-1774	4	Hardware: TORX Screw 2.5"
-	0017-00101-1780	8	Hardware: Mounting Screws
-	0017-00101-1770	6	Hardware: Phillips Pan Screw 0.5"

