

# 95Te Treadmill w/Integrated LCD screen - Arctic Silver

95TE-0301-02

## Parts Manual

1/5/2019 10:59:04 AM



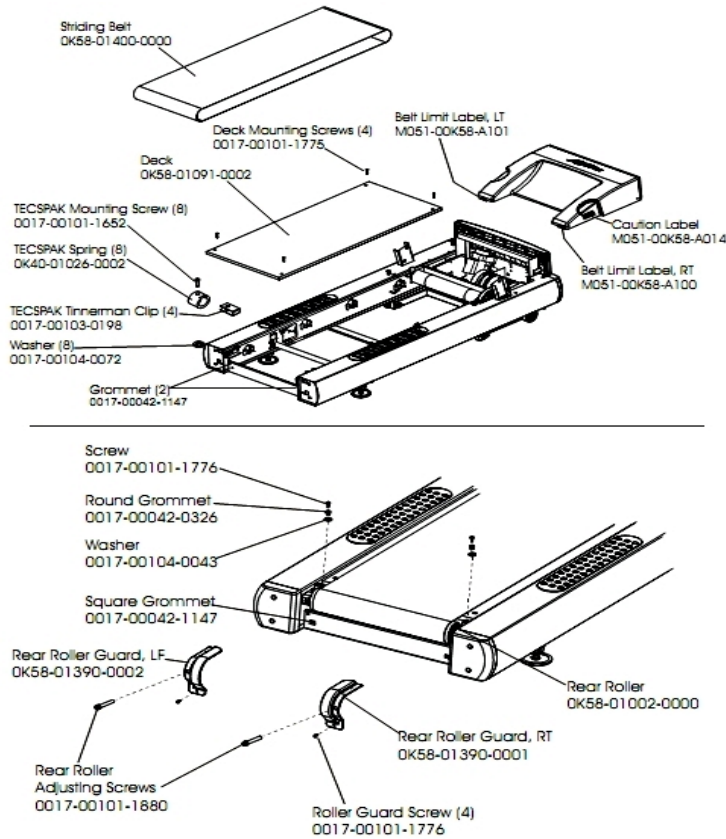
*LifeFitness*  
WHAT WE LIVE FOR

**Table of Contents**

---

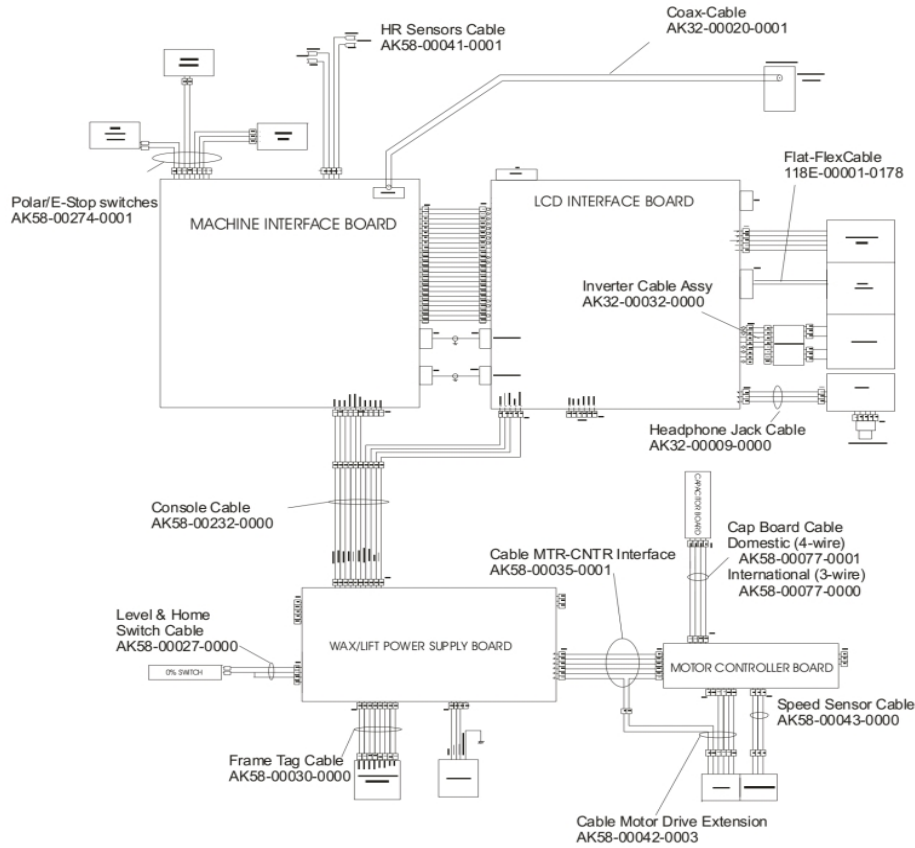
[Belt, Deck, And Rear Roller.....](#)3  
[Cables.....](#)4  
[Console Assembly.....](#)5  
[Console Components.....](#)6  
[Drive Motor Assembly.....](#)7  
[Ergo Bar WithLifepulse.....](#)8  
[Front Roller Assembly.....](#)9  
[Handrail Assembly.....](#)10  
[Idler Arm Assembly And Static Brush.....](#)11  
[Leveler Assembly.....](#)12  
[Lift Motor And Frame.....](#)13  
[Motor Controller Assembly.....](#)14  
[Motor Cover, Front Cover And Front End Cap.....](#)15  
[Power Components Schematic 1.....](#)16  
[Power Components Schematic 2.....](#)17  
[Rear End Caps And Cup Holders.....](#)18  
[References.....](#)19  
[Scuff Pad, Tinsel And Frame Tag Bd.....](#)20  
[Wax/Lift Assembly.....](#)21

## Belt, Deck, And Rear Roller



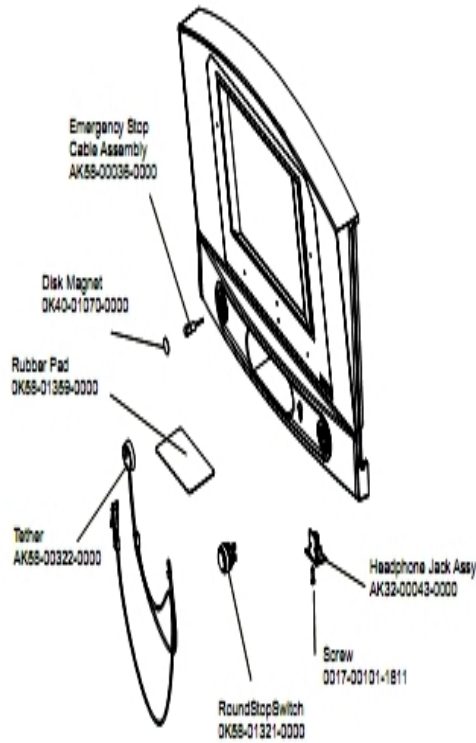
Ref #	Part Number	Qty	Description
-	0017-00101-1775	4	Hardware: Deck Screws 1.25"
-	OK58-01390-0001	1	Rear Roller Guard Right
-	OK65-01263-0000	1	Deck
-	0017-00103-0198	4	Hardware: Tinnerman Clip 1/4" ID
-	0017-00104-0072	8	Hardware: Flat Washer 0.562" OD
-	M051-00K58-A100	1	Label: Belt Limit: Right
-	OK58-01400-0000	1	Striding Belt
-	0017-00042-0326	2	Hardware: Plastic Grommet
-	0017-00042-1147	4	Hardware: Nylon Grommet
-	0017-00101-1652	8	Hardware: Spring Mounting Screw 1"
-	0017-00101-1880	2	Hardware: Tension Bolts 3"
-	0017-00104-0043	2	Hardware: Flat Washer 0.734" OD
-	OK58-01002-0000	1	Rear Roller - 3.5"
-	OK58-01390-0002	1	Rear Roller Guard Left
-	M051-00K58-A014	1	Label: Caution
-	0017-00101-1776	6	Hardware: Mounting Screw 0.5"
-	M051-00K58-A101	1	Belt Limit Label. Left
-	OK40-01026-0002	8	Deck Spring

## Cables



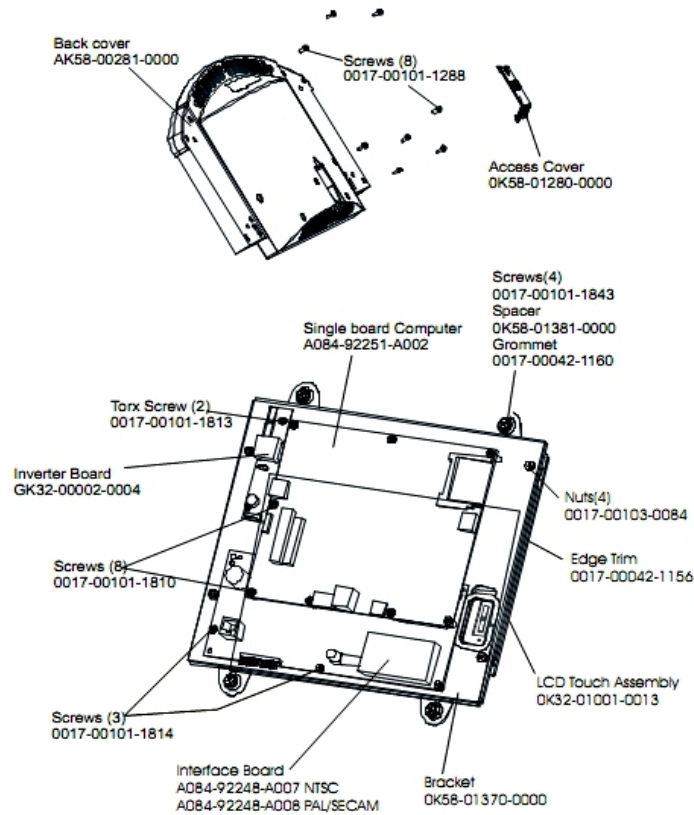
Ref #	Part Number	Qty	Description
-	AK58-00041-0001	1	Heart Rate Sensor Cable
-	AK32-00020-0001	1	Coax Cable: 90"
-	AK32-00009-0000	1	Headphone Jack Cable
-	AK58-00035-0001	1	Motor Controller Interface Cable
-	AK58-00232-0000	1	Cable-Assembly: Console; Middle
-	AK58-00274-0001	1	Polar and Stop Switches: 19.5"
-	AK32-00032-0000	1	Inverter Cable
-	AK58-00030-0000	1	Frame Tag Cable
-	AK58-00077-0000	1	Cap Board Cable - International
-	AK58-00027-0000	1	Limit Switch Cable
-	AK58-00043-0000	1	Speed Sensor Cable
-	118E-00001-0178	1	Flat Flex Cable
-	AK58-00042-0003	1	Cable Motor Drive Extension INT

## Console Assembly



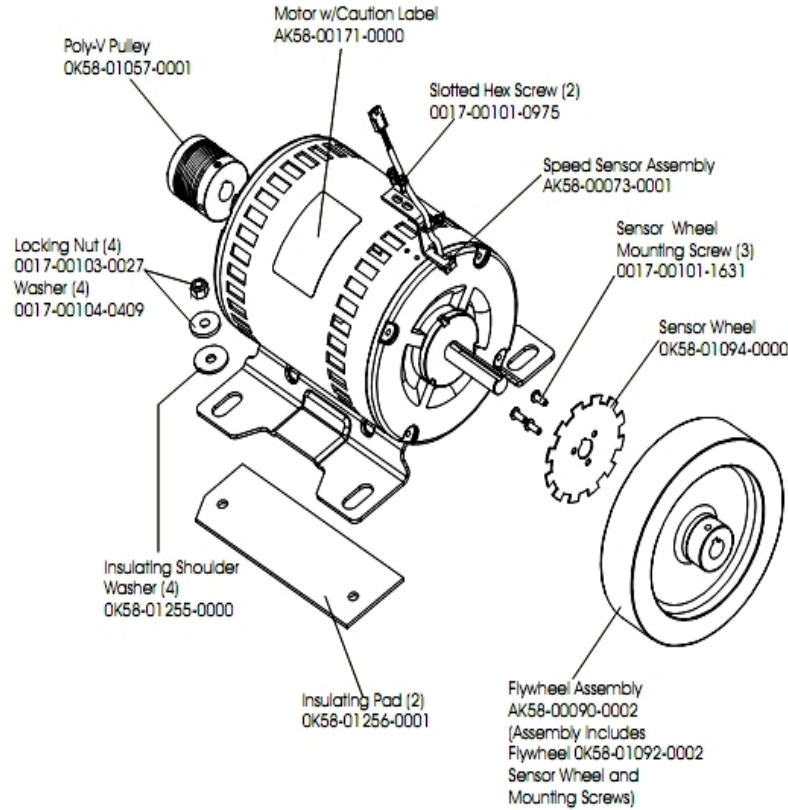
Ref #	Part Number	Qty	Description
-	AK58-00036-0000	1	Cable-Assembly: Emergency-Stop Switch
-	AK58-00517-0007	1	Bezel Switch with Overlay: French/PAL
-	AK32-00043-0000	1	Headphone Jack
-	OK58-01359-0000	1	Rubber Pad
-	GK58-00002-0107	1	Console with FM French/ PAL
-	OK58-01321-0000	1	Stop Switch
-	OK40-01070-0000	1	Magnetic Disk
-	AK58-00322-0000	1	Tether Stop Assembly
-	0017-00101-1811	1	Hardware: Phillips Pan Screw 0.625"

## Console Components



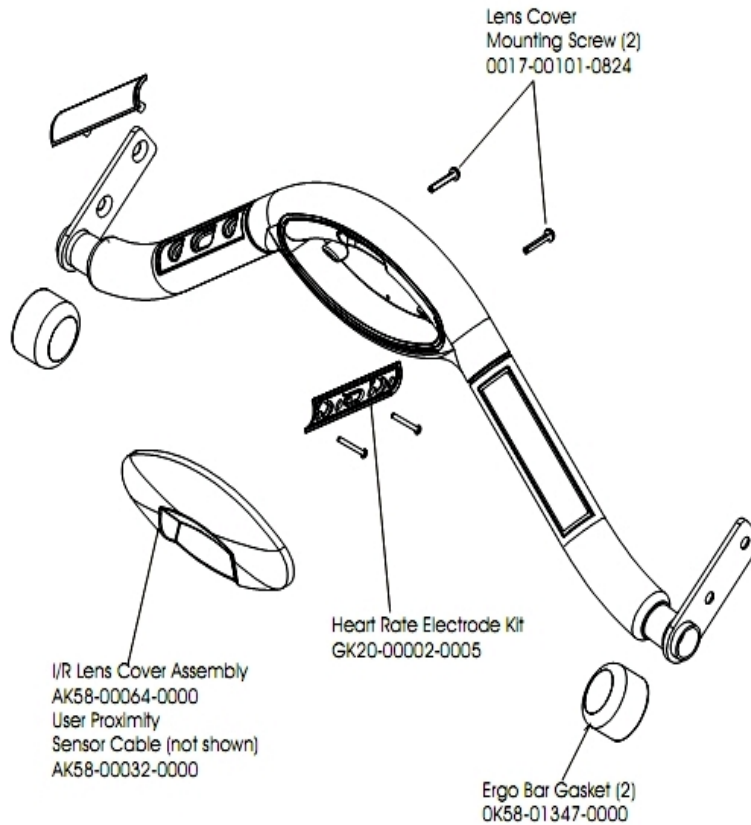
Ref #	Part Number	Qty	Description
-	GK32-00002-0004	1	Inverter Board
-	0K58-01381-0000	1	Shoulder Bushing
-	0017-00101-1814	3	Hardware: Screw
-	0017-00101-1288	8	Hardware: Phillips Screw 0.5"
-	0017-00103-0084	4	Hardware: Nut
-	AK58-00281-0000	1	Console Back Cover
-	0K58-01280-0000	1	Accessory Cover
-	0K32-01001-0013	1	LCD Touchscreen Assembly
-	0K32-01001-0013	1	LCD Touchscreen Assembly
-	0K32-01001-0013	1	LCD Touchscreen Assembly
-	0K32-01001-0013	1	LCD Touchscreen Assembly
-	0017-00101-1813	2	Hardware: Inverter Board Screw
-	A084-92248-A008	1	Interface Board PAL
-	0017-00042-1156	1	Edge Trim
-	0017-00101-1843	4	Hardware: Screw
-	0017-00042-1160	1	Grommet
-	0017-00101-1810	8	Hardware: Screw
-	0K58-01370-0000	1	Bracket
-	A084-92251-A002	1	Single Board Computer

## Drive Motor Assembly



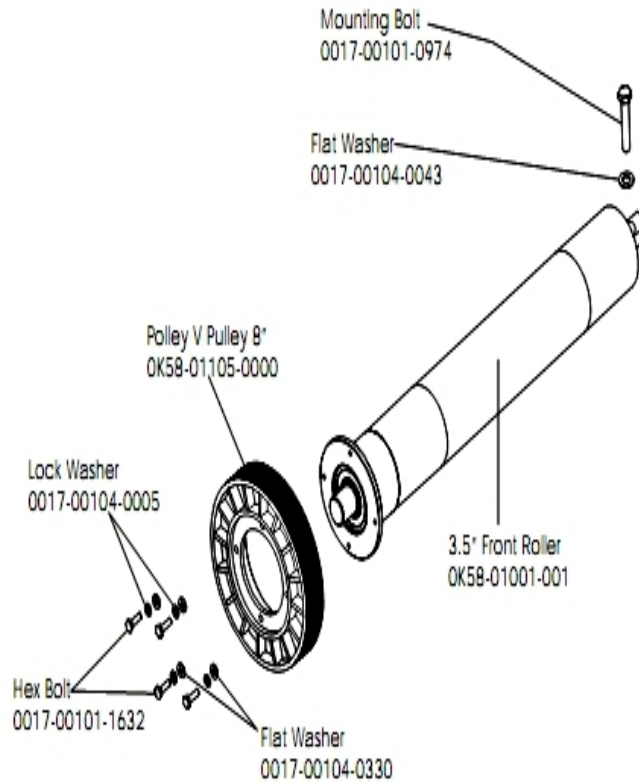
Ref #	Part Number	Qty	Description
-	0017-00101-0975	2	Hardware: Mounting Bolt 0.375"
-	0017-00103-0027	4	Hardware: Locking Nut. 5/16" ID
-	OK58-01057-0001	1	Drive Pulley - 1.971"
-	AK58-00171-0000	2	Motor with Caution Label
-	OK58-01255-0000	4	Hardware: Insulating Washers
-	0017-00104-0409	4	Hardware: Washer 1.125" OD
-	OK58-01094-0000	1	Sensor Wheel
-	AK58-00090-0002	1	Flywheel Assembly
-	OK58-01256-0001	2	Insulating Pad
-	0017-00101-1631	3	Hardware: Sensor Wheel Mounting Screw
-	AK58-00073-0001	1	Speed Sensor Assembly

## Ergo Bar WithLifepulse



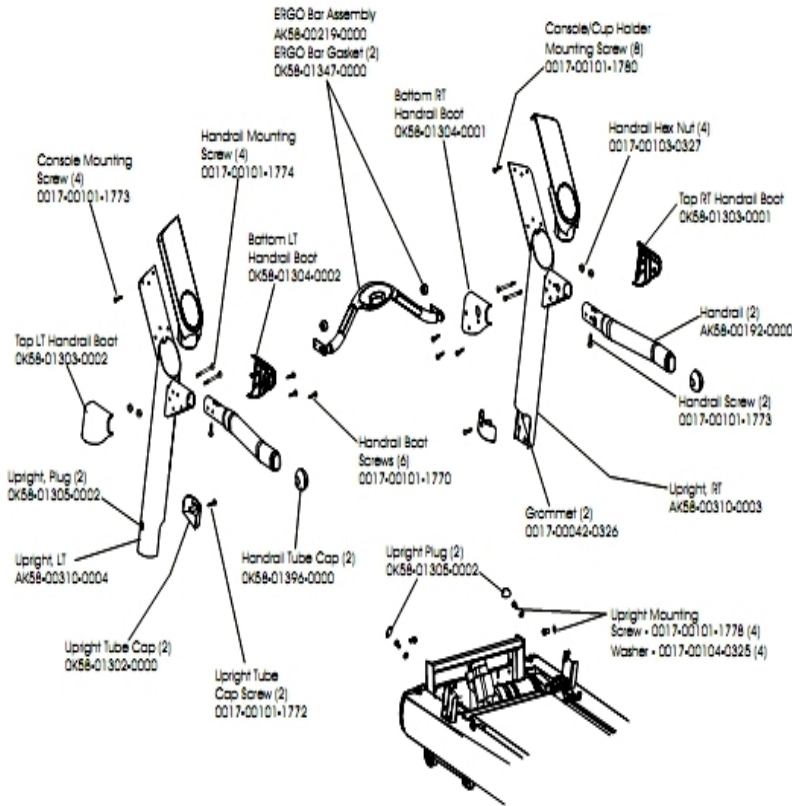
Ref #	Part Number	Qty	Description
-	AK58-00064-0000	1	I/R Lens Cover Assembly
-	GK20-00002-0005	2	Heart Rate Electrode Kit
-	0017-00101-0824	2	Hardware: Screw 1.125"
-	AK58-00032-0000	1	User Proximity Sensor Cable
-	0K58-01347-0000	2	ErgoBar Gasket

## Front Roller Assembly



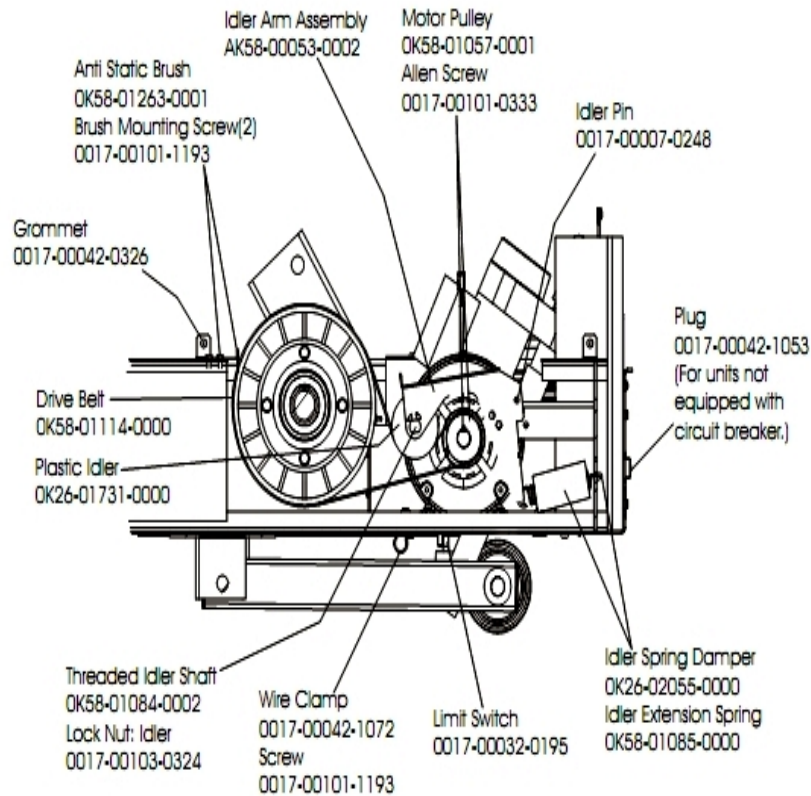
Ref #	Part Number	Qty	Description
-	0017-00101-0974	1	Hardware: Mounting Bolt 2"
-	0017-00101-1632	2	Hardware: Hex Bolt 0.875"
-	0K58-01105-0000	1	Drive Pulley Poly V - 8"
-	0K58-01001-0001	1	Front Roller - 3.5"
-	0017-00104-0005	2	Hardware: Lock Washer 0.489" OD
-	0017-00104-0330	2	Hardware: Flat Washers 0.562" OD
-	AK58-00066-0000	1	Front Roller Assembly
-	0017-00104-0043	1	Hardware: Flat Washer 0.734" OD

## Handrail Assembly



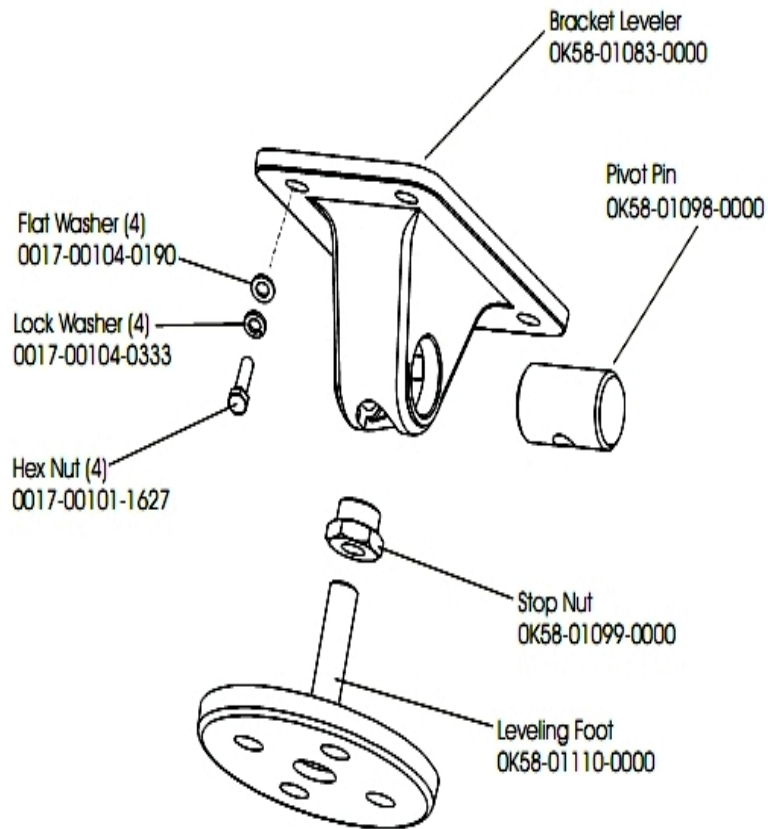
Ref #	Part Number	Qty	Description
-	0017-00101-1773	6	Hardware: TORX Screw 0.5"
-	0017-00101-1770	6	Hardware: Phillips Pan Screw 0.5"
-	0K58-01396-0000	2	Endcap
-	0K58-01303-0002	1	Top Left Handrail Boot
-	0K58-01304-0001	1	Bottom Right Handrail Boot
-	0K58-01304-0002	1	Bottom Left Handrail Boot
-	AK58-00219-0000	1	Ergo Bar with Heart Rate Sensors
-	0017-00101-1772	2	Hardware: Phillips Pan Screw 0.5"
-	0K58-01303-0001	1	Top Right Handrail Boot
-	0K58-01347-0000	2	ErgoBar Gasket
-	0017-00042-0326	2	Hardware: Plastic Grommet
-	0017-00103-0327	4	Hardware: Hex Nut 5/16" ID
-	0K58-01302-0103	2	Cap: Upright Tube; Arctic Silver
-	0K58-01305-0002	4	Upright Plug
-	AK58-00256-0001	2	Handrail
-	AK58-00311-0004	1	Upright: Left
-	0017-00101-1778	4	Hardware: Hex Bolt 1"
-	AK58-00310-0003	1	Upright: Right
-	0017-00104-0325	4	Hardware: Washer 0.873" OD
-	0017-00101-1774	4	Hardware: TORX Screw 2.5"
-	0017-00101-1780	8	Hardware: Mounting Screws

## Idler Arm Assembly And Static Brush



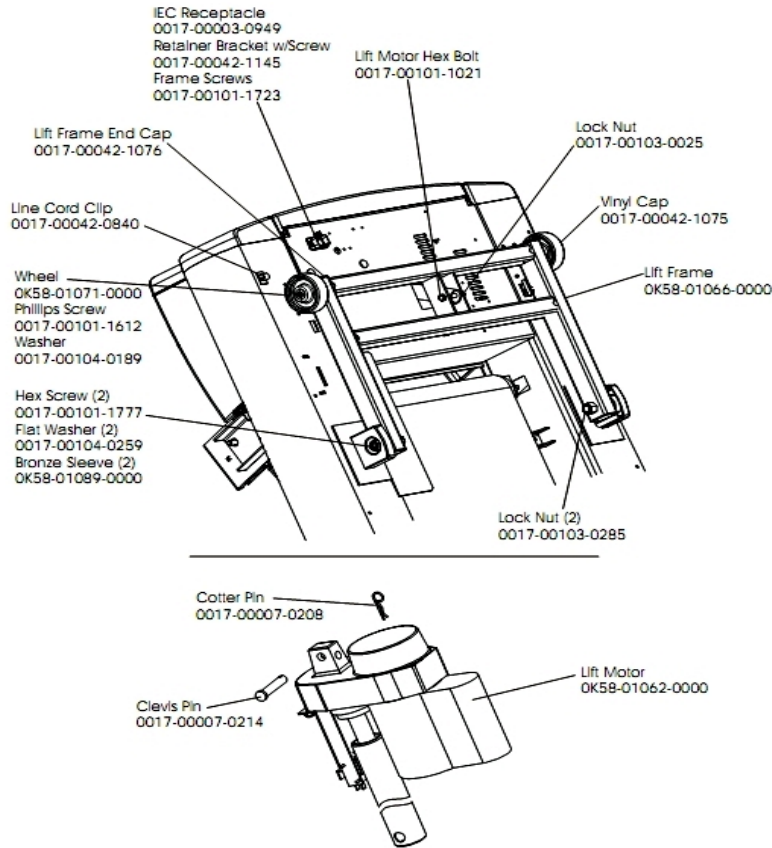
Ref #	Part Number	Qty	Description
-	OK58-01057-0001	1	Drive Pulley - 1.971"
-	OK58-01263-0001	1	Tinsel Bracket
-	0017-00103-0324	1	Hardware: Thin Lock Nut 3/8" ID
-	OK26-01731-0000	1	Plastic Idler 2 5/8" OD
-	OK26-02055-0000	1	Spring Damper
-	0017-00032-0195	1	Home Switch
-	0017-00042-1072	1	Hardware: Wire Clamp - 5/8"
-	0017-00007-0248	1	Hardware: Locking Pin .31" D 2.125" L
-	0017-00042-0326	1	Hardware: Plastic Grommet
-	0017-00101-1193	3	Hardware: Screw 0.375"
-	OK58-01114-0000	1	Poly-V Drive Belt - 370J12
-	OK58-01084-0002	1	Threaded Shaft
-	0017-00101-0333	1	Hardware: Screw 0.3125"
-	AK58-00053-0002	1	Idler Arm Assembly
-	OK58-01085-0000	1	Extension Spring
-	0017-00042-1053	1	Plug (For units not equipped with circuit breaker.)

## Leveler Assembly



Ref #	Part Number	Qty	Description
-	AK58-00370-0000	1	Leveler Assembly
-	OK58-01098-0000	1	Hardware: Pivot Pin
-	0017-00104-0190	4	Hardware: Flat Washer 0.734" OD
-	OK58-01099-0000	1	Hardware: Stop Nut
-	OK58-01083-0000	1	Leveler Bracket
-	OK58-01110-0000	1	Leveler Foot
-	0017-00101-1627	4	Hardware: Hex Nut
-	0017-00104-0333	4	Hardware: Washer 0.683" OD

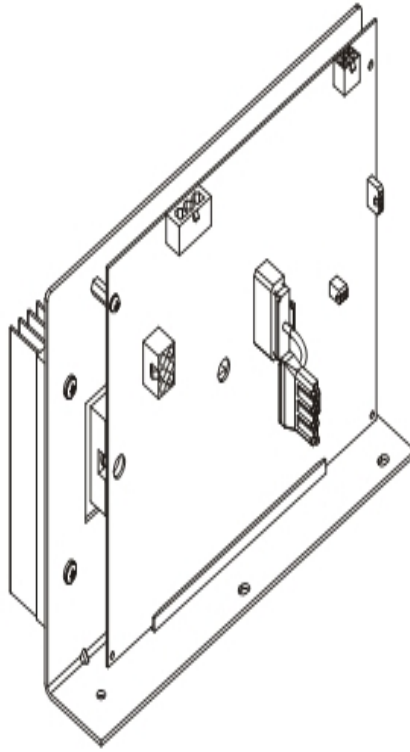
## Lift Motor And Frame



Ref #	Part Number	Qty	Description
-	0017-00042-1076	1	Lift Frame End Cap
-	0017-00103-0285	2	Hardware: Nut 5/8" ID
-	0017-00104-0189	2	Hardware: Flat Washer 1" OD
-	0017-00007-0208	1	Hardware: Cotter Pin
-	0017-00101-1777	2	Hardware: Lift Frame Mounting Bolt 2.75"
-	0017-00101-1723	2	Hardware: Phillips Pan Screw 0.375"
-	0017-00104-0259	2	Hardware: Washer 1.331" OD
-	0017-00103-0025	1	Hardware: Locking Nut 3/8" ID
-	0017-00042-1145	1	Power Cord Retainer
-	0017-00101-1021	1	Hardware: Lift Motor Hex Bolt 2.5"
-	AK58-00220-0000	1	LIFT-FRAME ASSY: MFG. C
-	OK58-01062-0000	1	Lift Motor - 120/60
-	0017-00042-0840	1	Hardware: Push Mount Clip
-	OK58-01089-0000	2	Bronze Sleeve Bushings
-	0017-00101-1612	1	Hardware: Phillips Screw 0.5"
-	0017-00042-1075	1	Vinyl Cap
-	0017-00003-0949	1	IEC Receptacle
-	OK58-01071-0000	2	Wheel
-	0017-00007-0214	1	Hardware: Clevis Pin 3/8" D 1.75" L

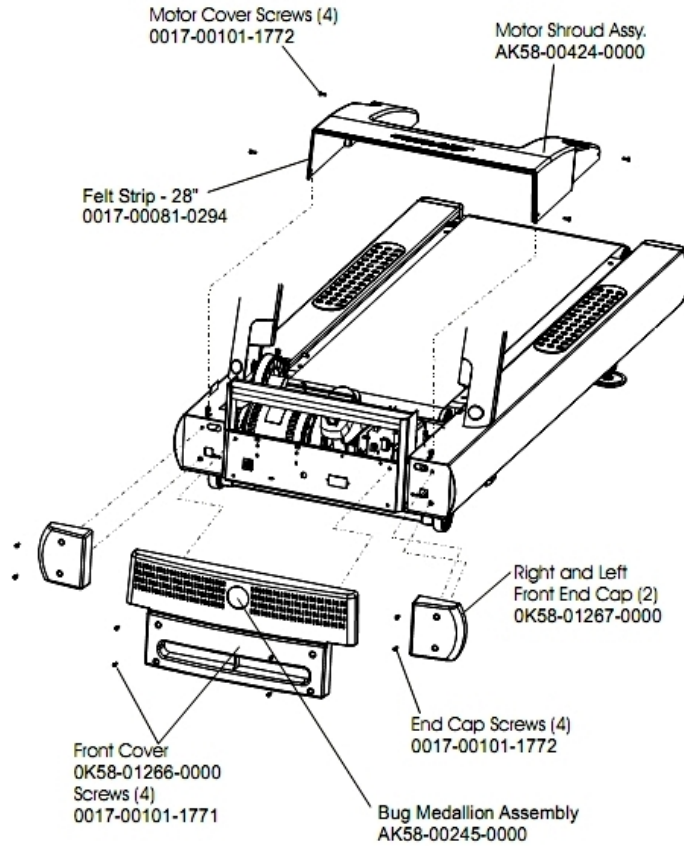
## Motor Controller Assembly

---



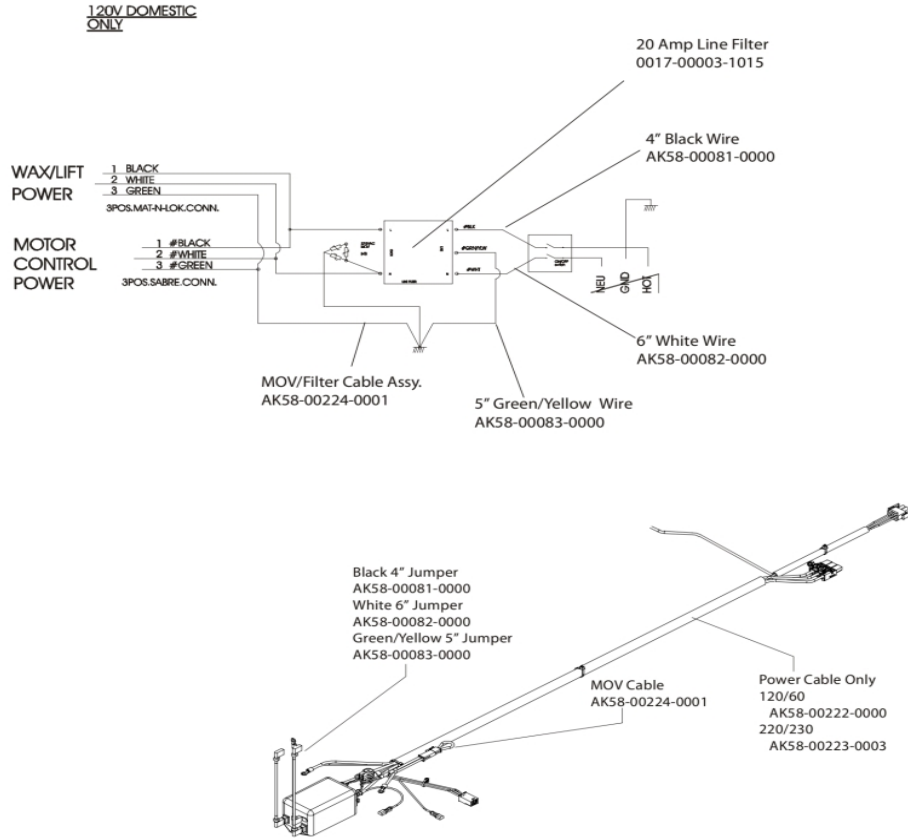
Ref #	Part Number	Qty	Description
-	GK65-00002-0019	1	Motor Controller Assembly (200-240V)

## Motor Cover, Front Cover And Front End Cap



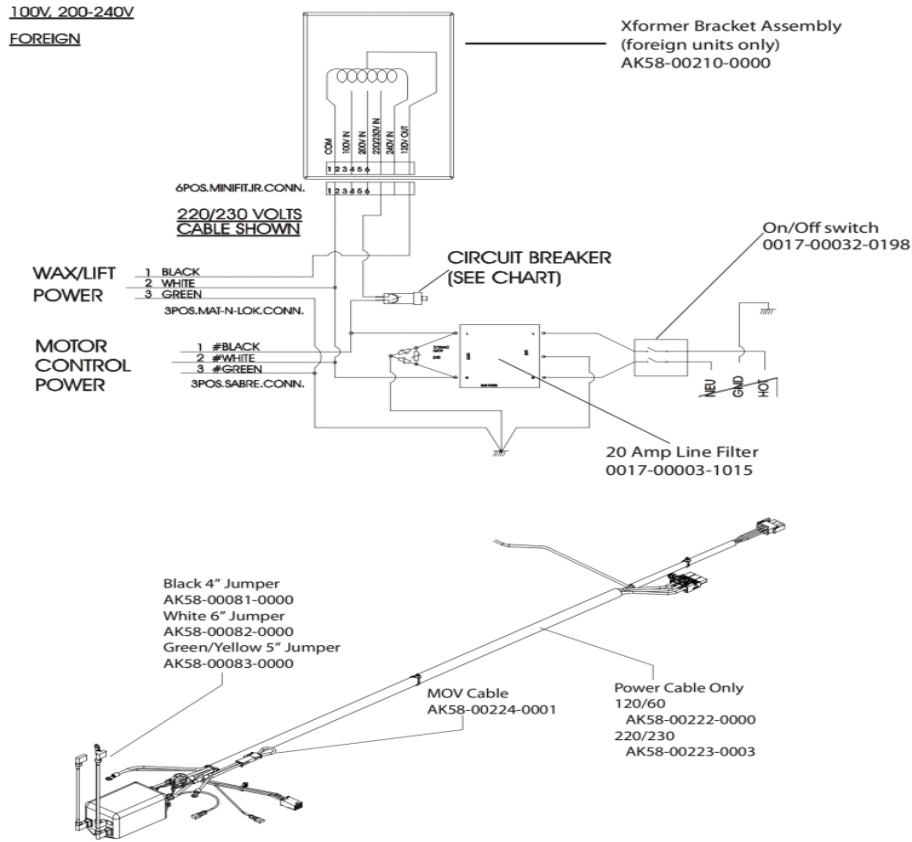
Ref #	Part Number	Qty	Description
-	AK58-00245-0000	1	Bug Medallion
-	0017-00081-0294	1	Felt Strip - 28"
-	0K58-01266-0000	1	Front Cover
-	0K58-01267-0000	2	End Cap
-	AK58-00424-0000	1	Motor Shroud
-	0017-00101-1772	8	Hardware: Phillips Pan Screw 0.5"
-	0017-00101-1771	4	Hardware: Phillips Pan Screw

# Power Components Schematic 1



Ref #	Part Number	Qty	Description
-	AK58-00082-0000	2	Jumper Cable Assembly: White - 6"
-	0017-00003-1015	1	20 amp Line Filter (DOM)
-	0017-00003-0696	1	Line Cord: International High Voltage (Cont.) 103"
-	AK58-00083-0000	2	Cable Assembly
-	AK58-00265-0003	1	Harness Assembly: 230/50
-	AK58-00081-0000	2	Jumper Cable Assembly: Black - 4"
-	0017-00003-0948	1	12' 220v Line Cord
-	AK58-00224-0001	2	Cable: MOV; Fliter
-	AK58-00223-0003	2	Power Cable Assembly 220-230V
-	0017-00003-0915	1	Line Cord RT Angle Plug

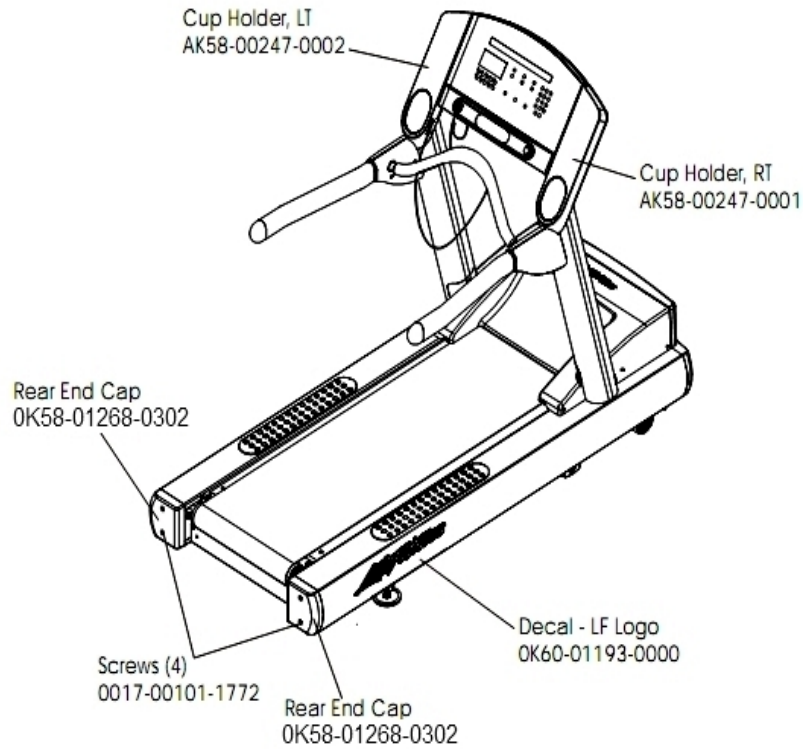
## Power Components Schematic 2



Ref #	Part Number	Qty	Description
-	AK58-00083-0000	1	Cable Assembly
-	0017-00003-0915	1	Line Cord RT Angle Plug
-	AK58-00224-0001	1	Cable: MOV; Fliter
-	AK58-00223-0003	2	Power Cable Assembly 220-230V
-	AK58-00265-0003	1	Harness Assembly: 230/50
-	AK58-00210-0000	1	Transformer-Bracket Assembly
-	0017-00032-0198	1	On/Off Switch 22A
-	0017-00003-1015	1	20 amp Line Filter (DOM)
-	0017-00003-0696	1	Line Cord: International High Voltage (Cont.) 103"
-	AK58-00081-0000	1	Jumper Cable Assembly: Black - 4"
-	AK58-00082-0000	1	Jumper Cable Assembly: White - 6"
-	0017-00003-0948	1	12' 220v Line Cord

## Rear End Caps And Cup Holders

---



Ref #	Part Number	Qty	Description
-	0017-00101-1772	4	Hardware: Phillips Pan Screw 0.5"
-	AK58-00247-0001	1	Cup Holder Right
-	OK60-01193-0000	1	Decal: LF Logo
-	AK58-00247-0002	1	Cup Holder Left
-	OK58-01268-0302	3	ENDCAP: REAR; STEALTH D

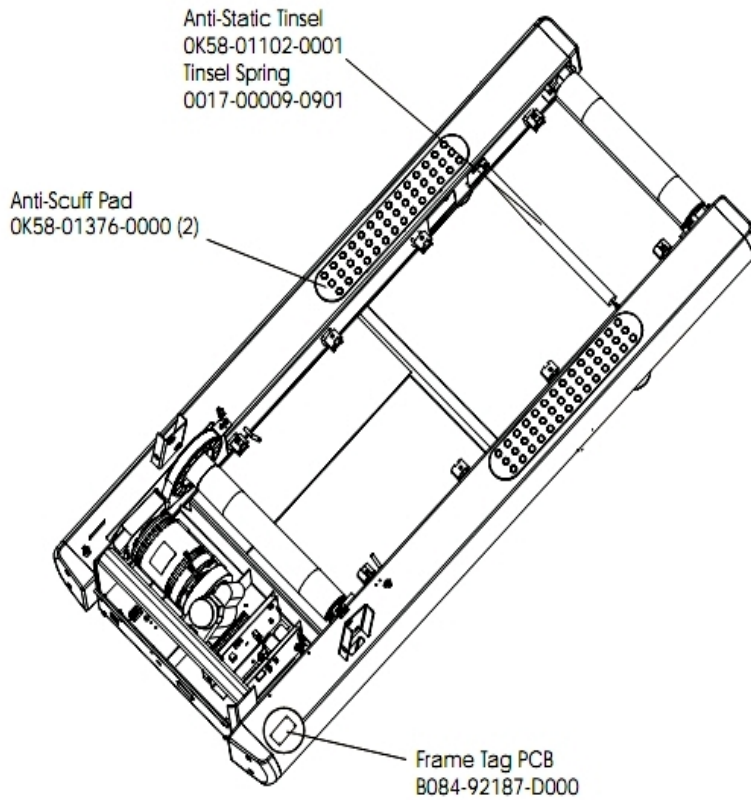
## References

---

Ref #	Part Number	Qty	Description
-	M051-00K58-A116	1	Installation Instructions
-	0017-00008-0206	1	.33oz Pen - Arctic Silver
-	0017-00008-0204	1	Paint Spray Can - Arctic Silver
-	0017-00008-0205	1	5 oz Bottle - Arctic Silver
-	AK58-00226-0000	1	Hardware Bag

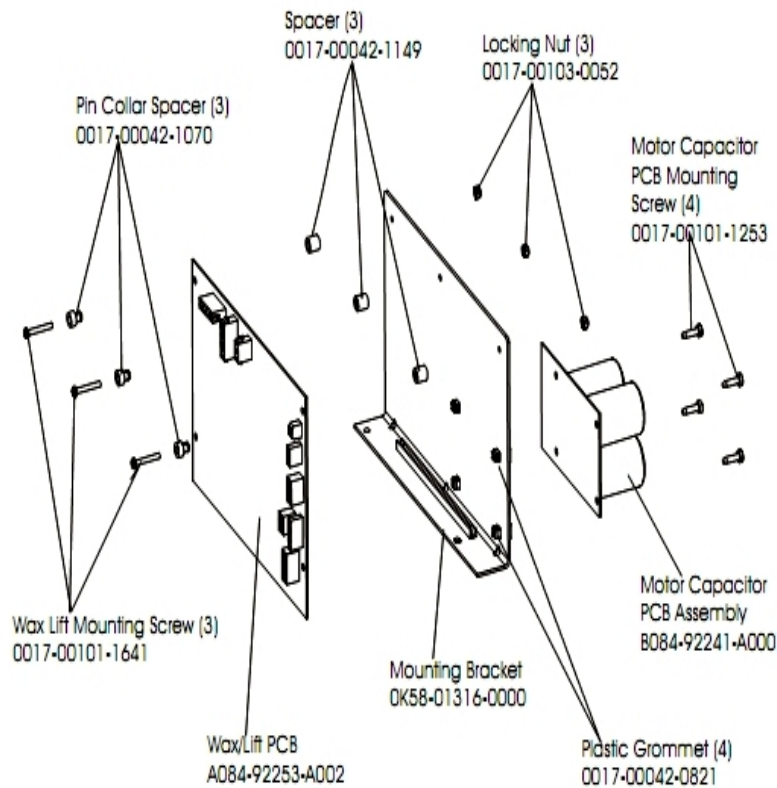
## Scuff Pad, Tinsel And Frame Tag Bd.

---



Ref #	Part Number	Qty	Description
-	OK58-01376-0000	2	Anti-Scuff Pad
-	0017-00009-0901	1	Tinsel Extension Spring
-	OK58-01102-0001	1	Anti-Static Tinsel
-	B084-92187-D000	1	Frame Tag PCB

## Wax/Lift Assembly



Ref #	Part Number	Qty	Description
-	0017-00101-1253	4	Hardware: Screw
-	0017-00101-1641	3	Hardware: Phillips Pan Screw
-	0017-00042-0821	4	Hardware: Plastic Grommet
-	B084-92241-A000	1	Motor Capacitor PCB Assembly
-	0017-00042-1070	3	Pin Collar Spacer
-	0K58-01316-0000	1	Mounting Bracket
-	0017-00103-0052	3	Hardware: Locking Nut ID
-	A084-92253-A002	1	Wax/Lift PCB
-	0017-00042-1149	3	Spacer

