

95Te Treadmill w/Integrated LCD screen - Arctic Silver

95TE-0401-02

Parts Manual

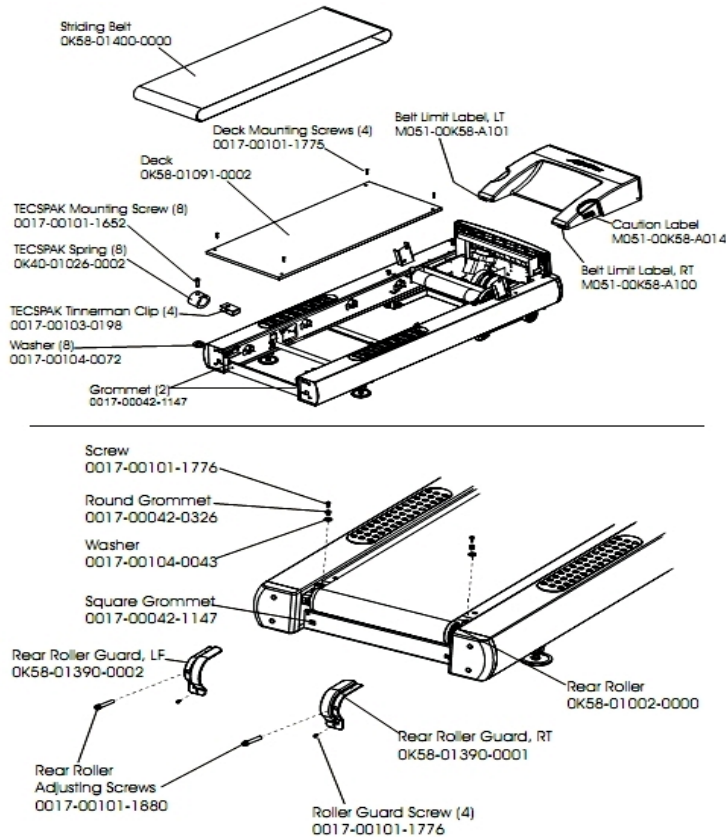
1/5/2019 11:00:32 AM



Table of Contents

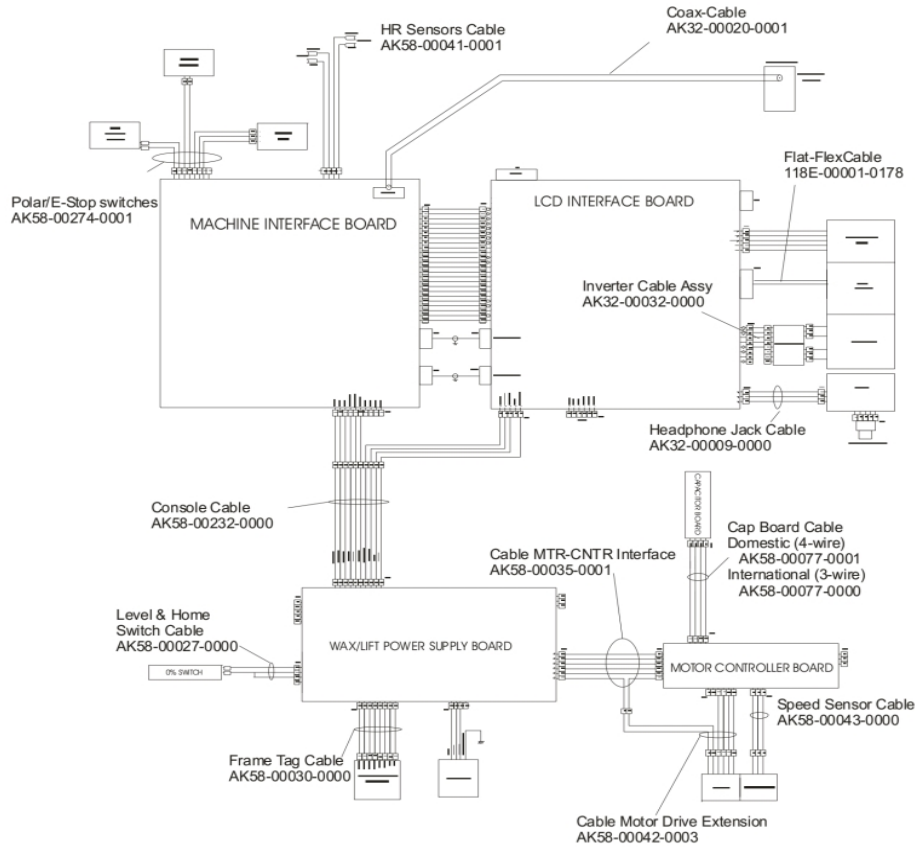
Belt, Deck, And Rear Roller.....	3
Cables.....	4
Console Assembly.....	5
Console Components.....	6
Drive Motor Assembly.....	7
Ergo Bar WithLifepulse.....	8
Front Roller Assembly.....	9
Handrail Assembly.....	10
Idler Arm Assembly And Static Brush.....	11
Leveler Assembly.....	12
Lift Motor And Frame.....	13
Motor Controller Assembly.....	14
Motor Cover, Front Cover And Front End Cap.....	15
Power Components Schematic 1.....	16
Power Components Schematic 2.....	17
Rear End Caps And Cup Holders.....	18
References.....	19
Scuff Pad, Tinsel And Frame Tag Bd.....	20
Wax/Lift Assembly.....	21

Belt, Deck, And Rear Roller



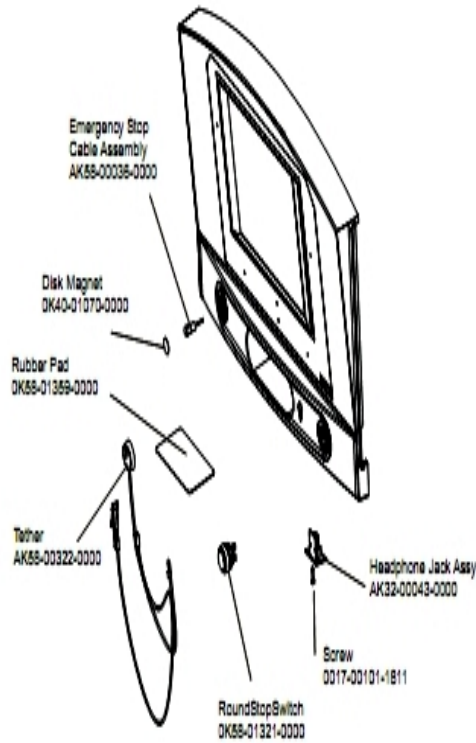
Ref #	Part Number	Qty	Description
-	0017-00101-1775	4	Hardware: Deck Screws 1.25"
-	OK58-01390-0001	1	Rear Roller Guard Right
-	OK65-01263-0000	1	Deck
-	0017-00103-0198	4	Hardware: Tinnerman Clip 1/4" ID
-	0017-00104-0072	8	Hardware: Flat Washer 0.562" OD
-	M051-00K58-A100	1	Label: Belt Limit: Right
-	OK58-01400-0000	1	Striding Belt
-	0017-00042-0326	2	Hardware: Plastic Grommet
-	0017-00042-1147	4	Hardware: Nylon Grommet
-	0017-00101-1652	8	Hardware: Spring Mounting Screw 1"
-	0017-00101-1880	2	Hardware: Tension Bolts 3"
-	0017-00104-0043	2	Hardware: Flat Washer 0.734" OD
-	OK58-01002-0000	1	Rear Roller - 3.5"
-	OK58-01390-0002	1	Rear Roller Guard Left
-	M051-00K58-A014	1	Label: Caution
-	0017-00101-1776	6	Hardware: Mounting Screw 0.5"
-	M051-00K58-A101	1	Belt Limit Label. Left
-	OK40-01026-0002	8	Deck Spring

Cables



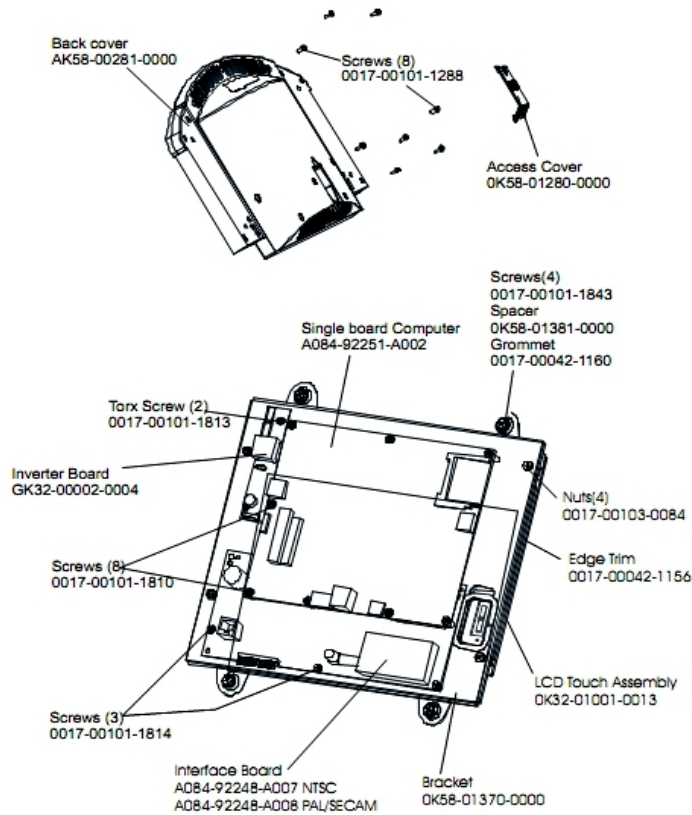
Ref #	Part Number	Qty	Description
-	AK58-00041-0001	1	Heart Rate Sensor Cable
-	AK32-00020-0001	1	Coax Cable: 90"
-	AK32-00009-0000	1	Headphone Jack Cable
-	AK58-00035-0001	1	Motor Controller Interface Cable
-	AK58-00232-0000	1	Cable-Assembly: Console; Middle
-	AK58-00274-0001	1	Polar and Stop Switches: 19.5"
-	AK32-00032-0000	1	Inverter Cable
-	AK58-00030-0000	1	Frame Tag Cable
-	AK58-00077-0000	1	Cap Board Cable - International
-	AK58-00027-0000	1	Limit Switch Cable
-	AK58-00043-0000	1	Speed Sensor Cable
-	118E-00001-0178	1	Flat Flex Cable
-	AK58-00042-0003	1	Cable Motor Drive Extension INT

Console Assembly



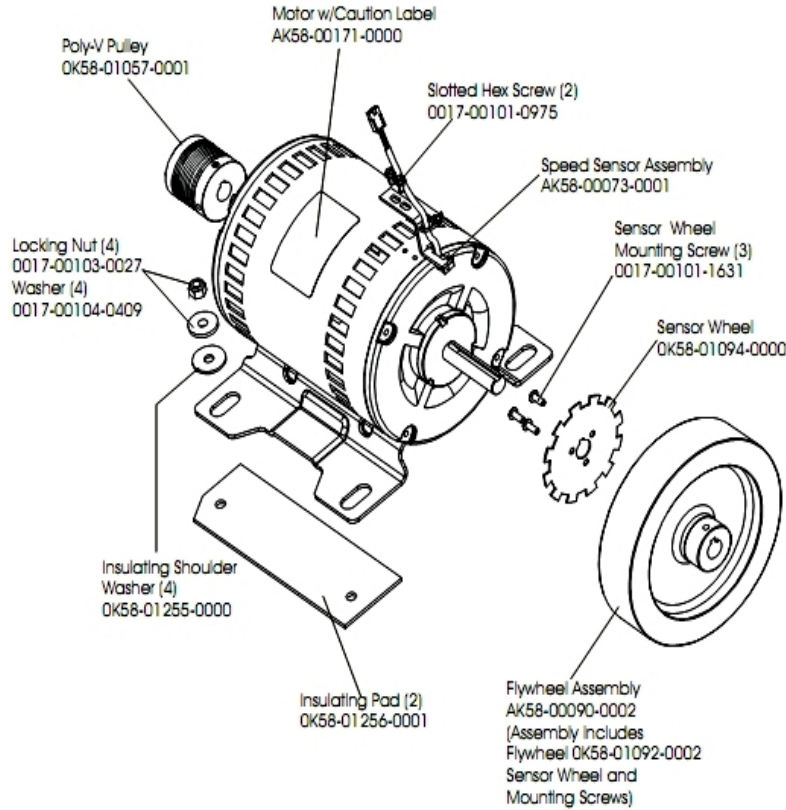
Ref #	Part Number	Qty	Description
-	AK58-00036-0000	1	Cable-Assembly: Emergency-Stop Switch
-	AK58-00517-0004	1	Bezel Switch with Overlay: Spanish
-	AK32-00043-0000	1	Headphone Jack
-	GK58-00002-0106	1	Console with FM Spain/ PAL
-	AK58-00322-0000	1	Tether Stop Assembly
-	0017-00101-1811	1	Hardware: Phillips Pan Screw 0.625"
-	OK58-01321-0000	1	Stop Switch
-	OK40-01070-0000	1	Magnetic Disk
-	OK58-01359-0000	1	Rubber Pad

Console Components



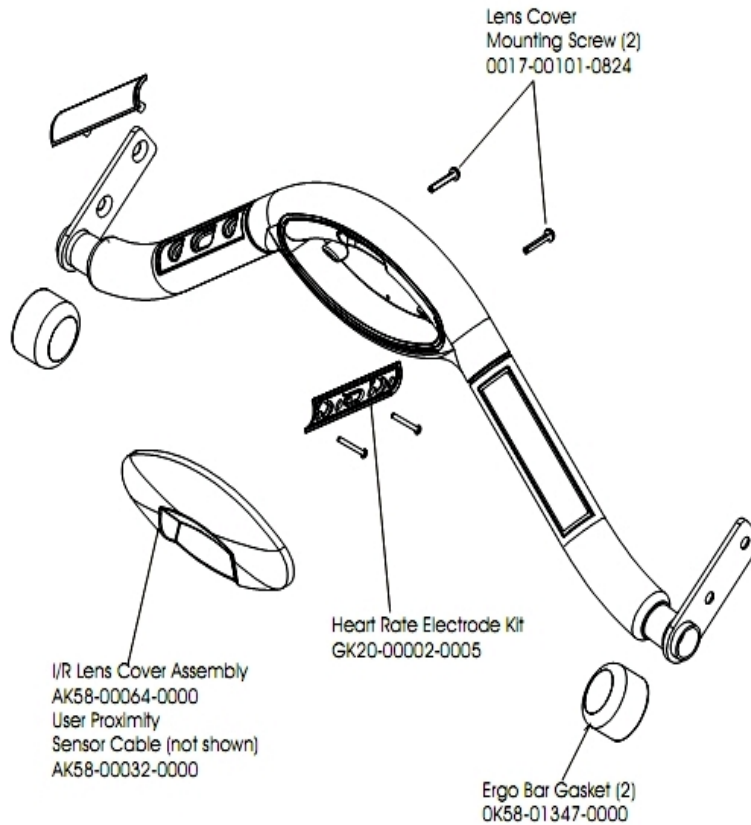
Ref #	Part Number	Qty	Description
-	GK32-00002-0004	1	Inverter Board
-	0K58-01381-0000	1	Shoulder Bushing
-	0017-00101-1814	3	Hardware: Screw
-	0017-00101-1288	8	Hardware: Phillips Screw 0.5"
-	0017-00103-0084	4	Hardware: Nut
-	AK58-00281-0000	1	Console Back Cover
-	0K58-01280-0000	1	Accessory Cover
-	0K32-01001-0013	1	LCD Touchscreen Assembly
-	0K32-01001-0013	1	LCD Touchscreen Assembly
-	0K32-01001-0013	1	LCD Touchscreen Assembly
-	0K32-01001-0013	1	LCD Touchscreen Assembly
-	0017-00101-1813	2	Hardware: Inverter Board Screw
-	A084-92248-A008	1	Interface Board PAL
-	0017-00042-1156	1	Edge Trim
-	0017-00101-1843	4	Hardware: Screw
-	0017-00042-1160	1	Grommet
-	0017-00101-1810	8	Hardware: Screw
-	0K58-01370-0000	1	Bracket
-	A084-92251-A002	1	Single Board Computer

Drive Motor Assembly



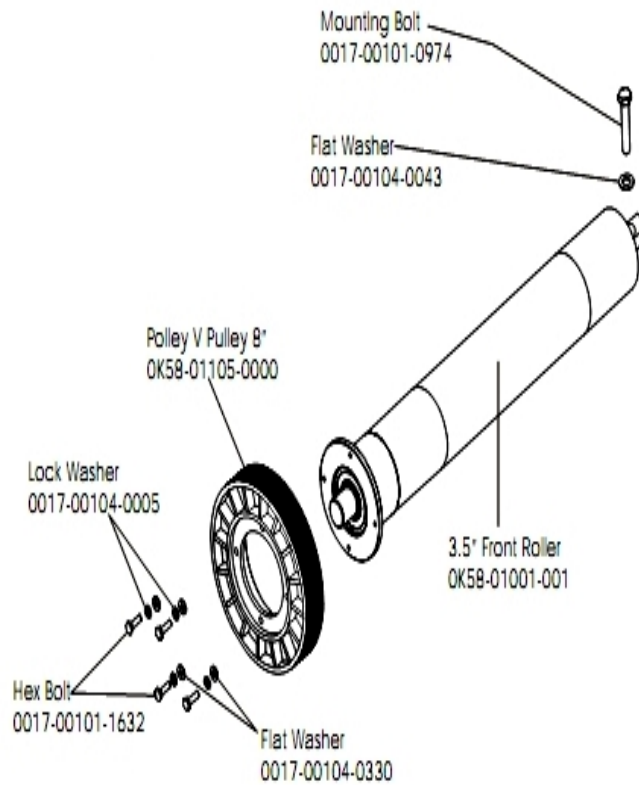
Ref #	Part Number	Qty	Description
-	0017-00101-0975	2	Hardware: Mounting Bolt 0.375"
-	0017-00103-0027	4	Hardware: Locking Nut. 5/16" ID
-	OK58-01057-0001	1	Drive Pulley - 1.971"
-	AK58-00171-0000	2	Motor with Caution Label
-	OK58-01255-0000	4	Hardware: Insulating Washers
-	0017-00104-0409	4	Hardware: Washer 1.125" OD
-	OK58-01094-0000	1	Sensor Wheel
-	AK58-00090-0002	1	Flywheel Assembly
-	OK58-01256-0001	2	Insulating Pad
-	0017-00101-1631	3	Hardware: Sensor Wheel Mounting Screw
-	AK58-00073-0001	1	Speed Sensor Assembly

Ergo Bar WithLifepulse



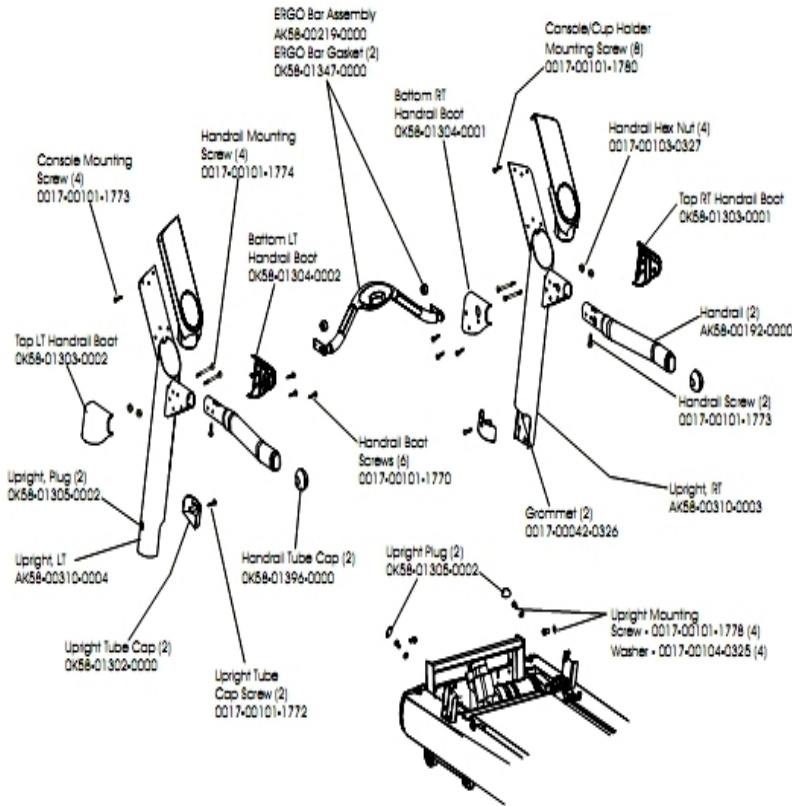
Ref #	Part Number	Qty	Description
-	AK58-00064-0000	1	I/R Lens Cover Assembly
-	GK20-00002-0005	2	Heart Rate Electrode Kit
-	0017-00101-0824	2	Hardware: Screw 1.125"
-	AK58-00032-0000	1	User Proximity Sensor Cable
-	OK58-01347-0000	2	ErgoBar Gasket

Front Roller Assembly



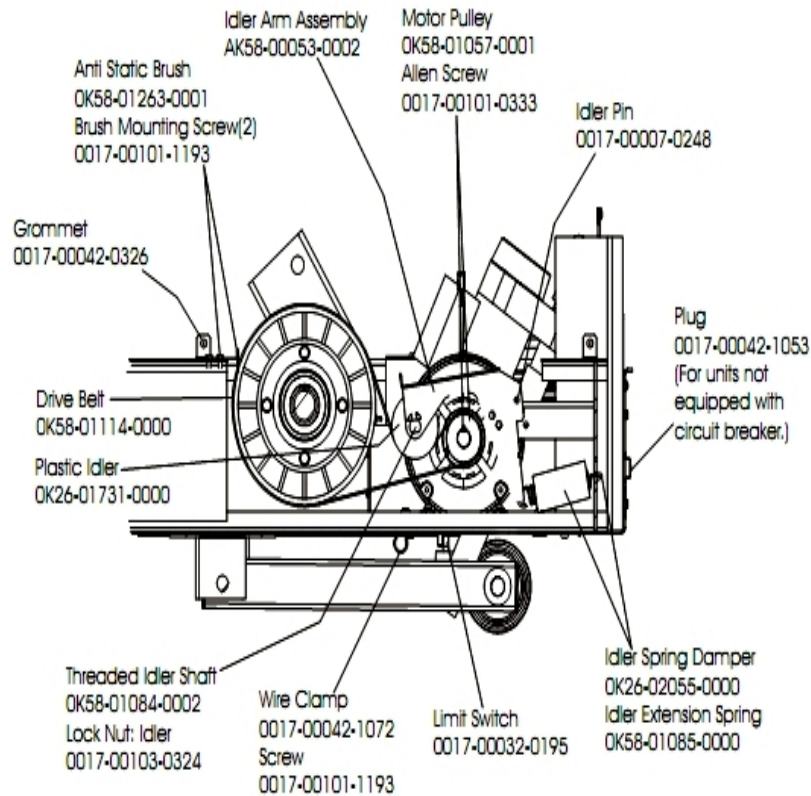
Ref #	Part Number	Qty	Description
-	0017-00101-0974	1	Hardware: Mounting Bolt 2"
-	0017-00101-1632	2	Hardware: Hex Bolt 0.875"
-	0K58-01105-0000	1	Drive Pulley Poly V - 8"
-	0K58-01001-0001	1	Front Roller - 3.5"
-	0017-00104-0005	2	Hardware: Lock Washer 0.489" OD
-	0017-00104-0330	2	Hardware: Flat Washers 0.562" OD
-	AK58-00066-0000	1	Front Roller Assembly
-	0017-00104-0043	1	Hardware: Flat Washer 0.734" OD

Handrail Assembly



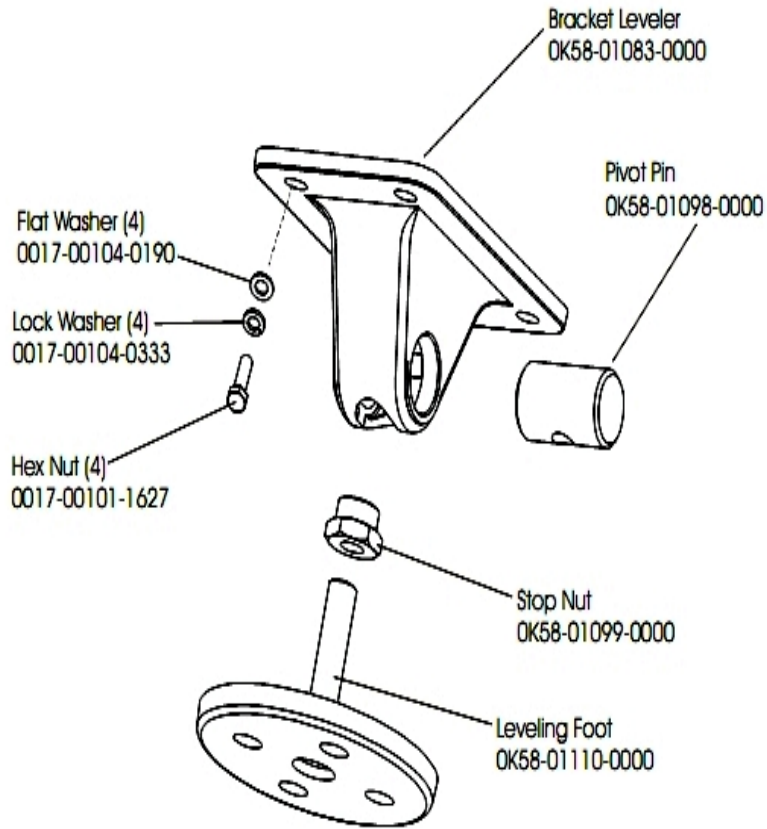
Ref #	Part Number	Qty	Description
-	0017-00101-1773	6	Hardware: TORX Screw 0.5"
-	0017-00101-1770	6	Hardware: Phillips Pan Screw 0.5"
-	OK58-01396-0000	2	Endcap
-	OK58-01303-0002	1	Top Left Handrail Boot
-	OK58-01304-0001	1	Bottom Right Handrail Boot
-	OK58-01304-0002	1	Bottom Left Handrail Boot
-	AK58-00219-0000	1	Ergo Bar with Heart Rate Sensors
-	0017-00101-1772	2	Hardware: Phillips Pan Screw 0.5"
-	OK58-01303-0001	1	Top Right Handrail Boot
-	OK58-01347-0000	2	ErgoBar Gasket
-	0017-00042-0326	2	Hardware: Plastic Grommet
-	0017-00103-0327	4	Hardware: Hex Nut 5/16" ID
-	OK58-01302-0103	2	Cap: Upright Tube; Arctic Silver
-	OK58-01305-0002	4	Upright Plug
-	AK58-00256-0001	2	Handrail
-	AK58-00311-0004	1	Upright: Left
-	0017-00101-1778	4	Hardware: Hex Bolt 1"
-	AK58-00310-0003	1	Upright: Right
-	0017-00104-0325	4	Hardware: Washer 0.873" OD
-	0017-00101-1774	4	Hardware: TORX Screw 2.5"
-	0017-00101-1780	8	Hardware: Mounting Screws

Idler Arm Assembly And Static Brush



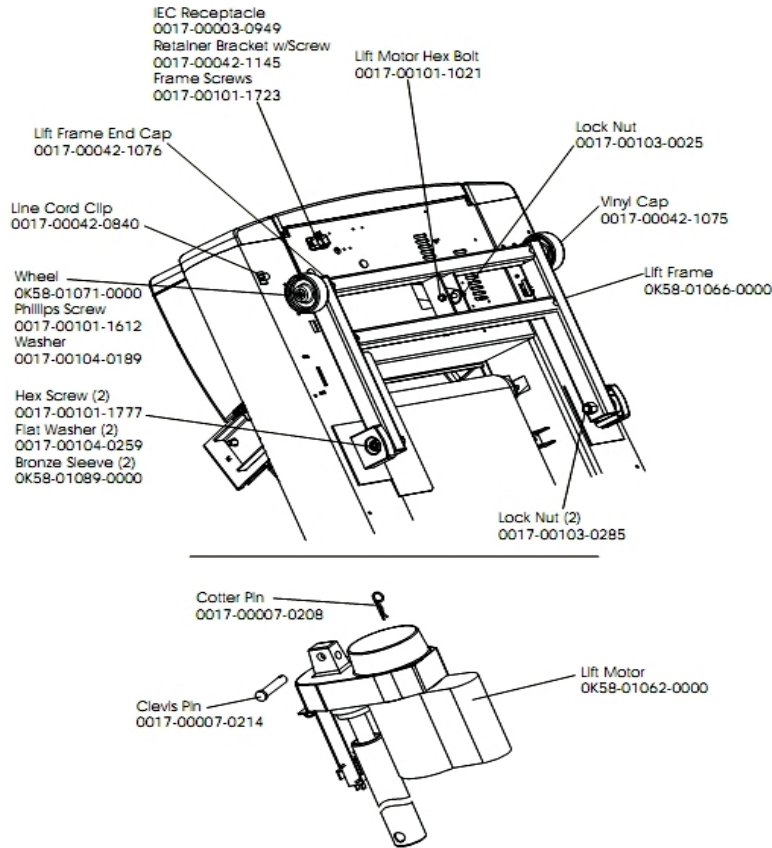
Ref #	Part Number	Qty	Description
-	OK58-01057-0001	1	Drive Pulley - 1.971"
-	OK58-01263-0001	1	Tinsel Bracket
-	0017-00103-0324	1	Hardware: Thin Lock Nut 3/8" ID
-	OK26-01731-0000	1	Plastic Idler 2 5/8" OD
-	OK26-02055-0000	1	Spring Damper
-	0017-00032-0195	1	Home Switch
-	0017-00042-1072	1	Hardware: Wire Clamp - 5/8"
-	0017-00007-0248	1	Hardware: Locking Pin .31" D 2.125" L
-	0017-00042-0326	1	Hardware: Plastic Grommet
-	0017-00101-1193	3	Hardware: Screw 0.375"
-	OK58-01114-0000	1	Poly-V Drive Belt - 370J12
-	OK58-01084-0002	1	Threaded Shaft
-	0017-00101-0333	1	Hardware: Screw 0.3125"
-	AK58-00053-0002	1	Idler Arm Assembly
-	OK58-01085-0000	1	Extension Spring
-	0017-00042-1053	1	Plug (For units not equipped with circuit breaker.)

Leveler Assembly



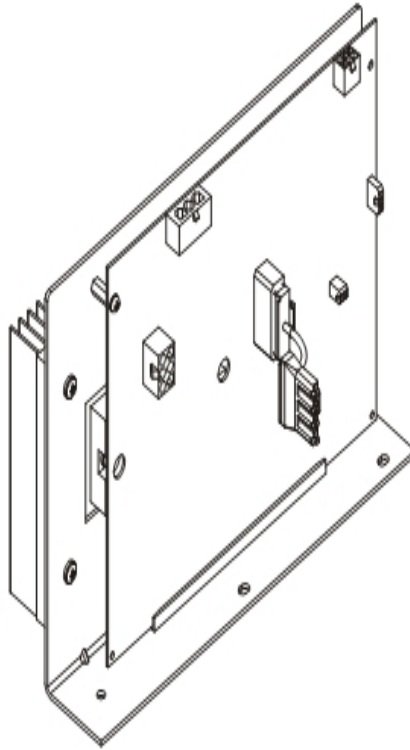
Ref #	Part Number	Qty	Description
-	AK58-00370-0000	1	Leveler Assembly
-	OK58-01098-0000	1	Hardware: Pivot Pin
-	0017-00104-0190	4	Hardware: Flat Washer 0.734" OD
-	OK58-01099-0000	1	Hardware: Stop Nut
-	OK58-01083-0000	1	Leveler Bracket
-	OK58-01110-0000	1	Leveler Foot
-	0017-00101-1627	4	Hardware: Hex Nut
-	0017-00104-0333	4	Hardware: Washer 0.683" OD

Lift Motor And Frame



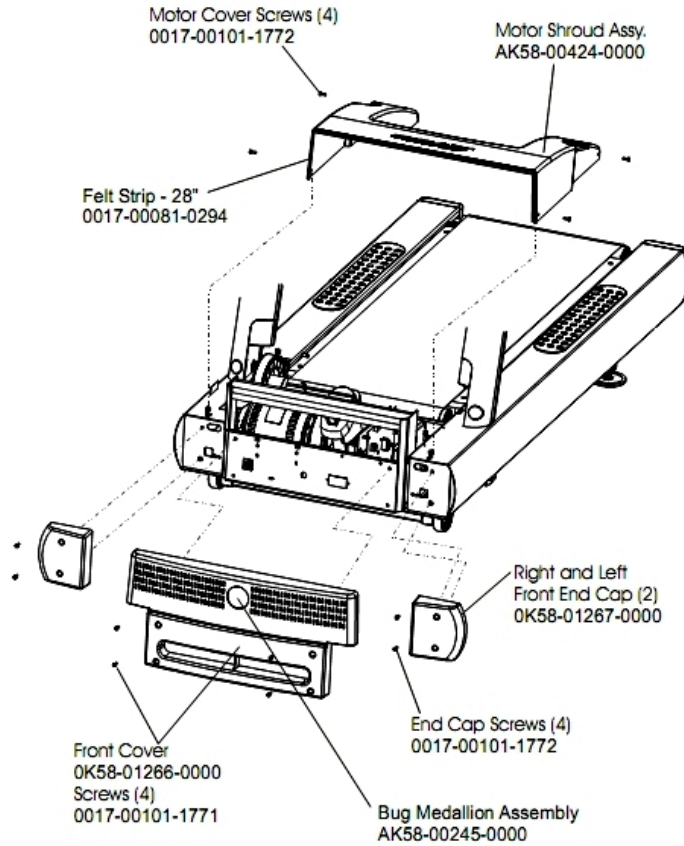
Ref #	Part Number	Qty	Description
-	0017-00042-1076	1	Lift Frame End Cap
-	0017-00103-0285	2	Hardware: Nut 5/8" ID
-	0017-00101-1777	2	Hardware: Lift Frame Mounting Bolt 2.75"
-	0017-00104-0189	2	Hardware: Flat Washer 1" OD
-	0017-00007-0208	1	Hardware: Cotter Pin
-	0017-00101-1723	2	Hardware: Phillips Pan Screw 0.375"
-	0017-00103-0025	1	Hardware: Locking Nut 3/8" ID
-	0017-00104-0259	2	Hardware: Washer 1.331" OD
-	0017-00042-1145	1	Power Cord Retainer
-	0017-00101-1021	1	Hardware: Lift Motor Hex Bolt 2.5"
-	AK58-00220-0000	1	LIFT-FRAME ASSY: MFG. C
-	OK58-01062-0000	1	Lift Motor - 120/60
-	0017-00042-0840	1	Hardware: Push Mount Clip
-	OK58-01089-0000	2	Bronze Sleeve Bushings
-	0017-00101-1612	1	Hardware: Phillips Screw 0.5"
-	0017-00042-1075	1	Vinyl Cap
-	0017-00003-0949	1	IEC Receptacle
-	OK58-01071-0000	2	Wheel
-	0017-00007-0214	1	Hardware: Clevis Pin 3/8" D 1.75" L

Motor Controller Assembly



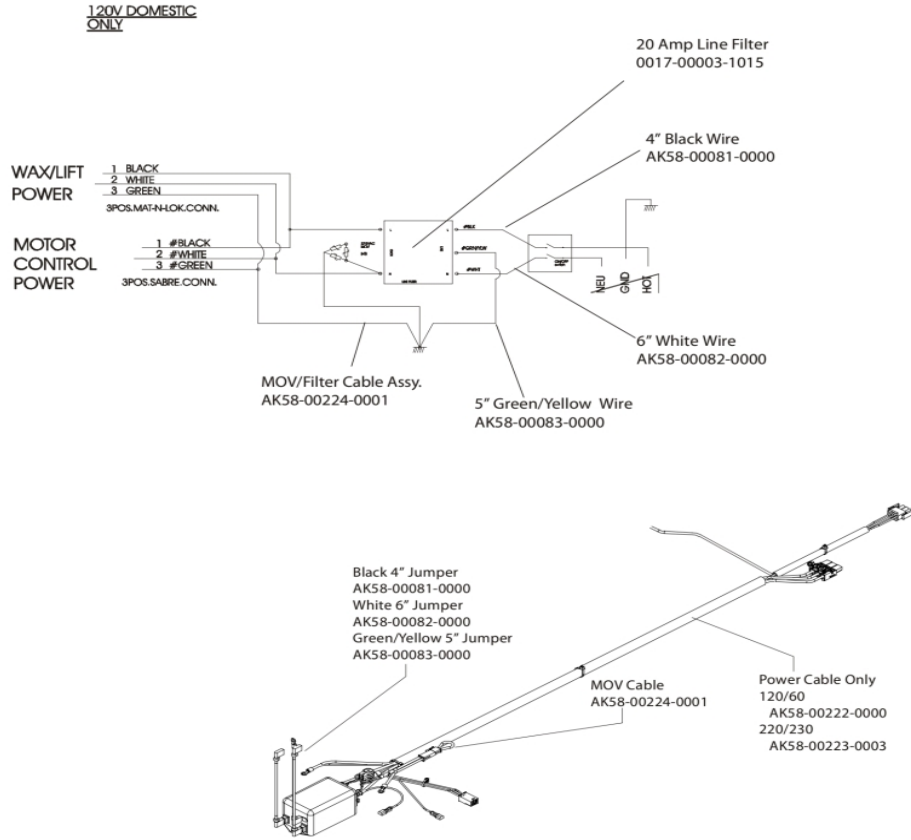
Ref #	Part Number	Qty	Description
-	GK65-00002-0019	1	Motor Controller Assembly (200-240V)

Motor Cover, Front Cover And Front End Cap



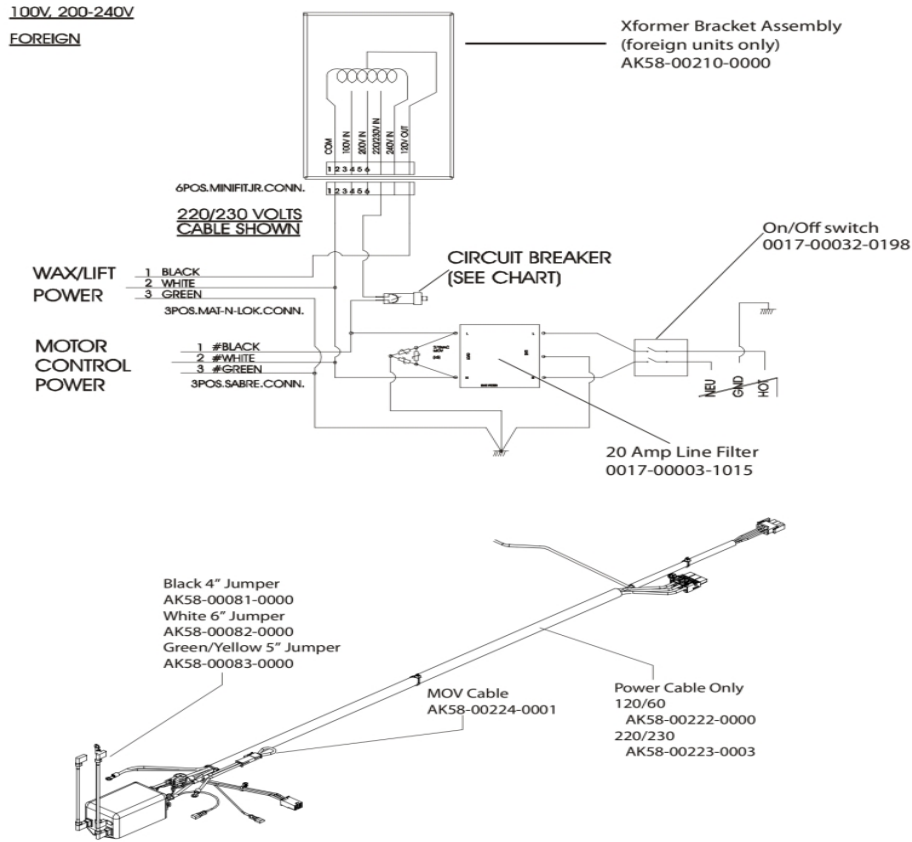
Ref #	Part Number	Qty	Description
-	AK58-00245-0000	1	Bug Medallion
-	0017-00081-0294	1	Felt Strip - 28"
-	0K58-01266-0000	1	Front Cover
-	0K58-01267-0000	2	End Cap
-	AK58-00424-0000	1	Motor Shroud
-	0017-00101-1772	8	Hardware: Phillips Pan Screw 0.5"
-	0017-00101-1771	4	Hardware: Phillips Pan Screw

Power Components Schematic 1



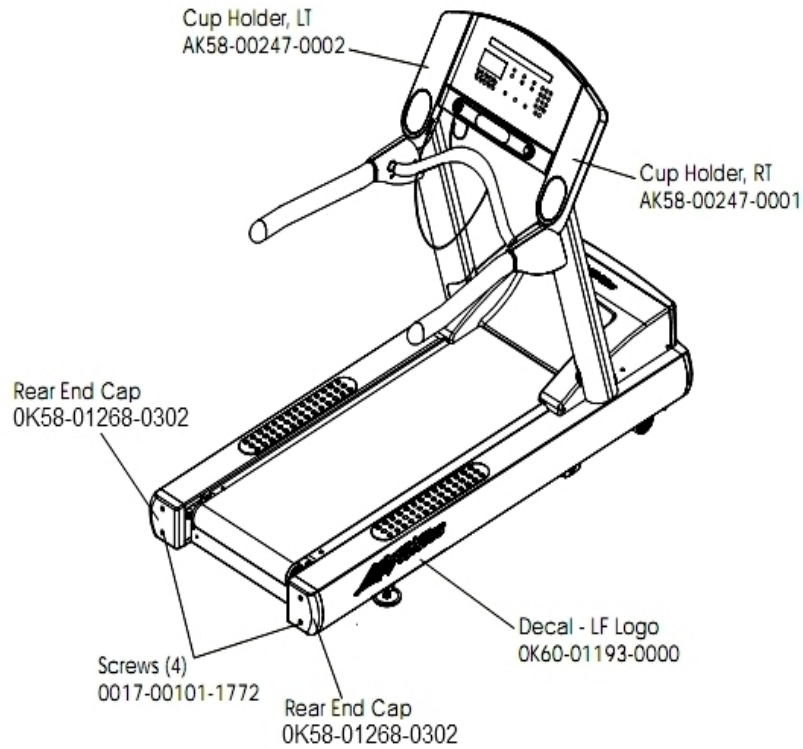
Ref #	Part Number	Qty	Description
-	AK58-00082-0000	2	Jumper Cable Assembly: White - 6"
-	0017-00003-1015	1	20 amp Line Filter (DOM)
-	0017-00003-0696	1	Line Cord: International High Voltage (Cont.) 103"
-	AK58-00083-0000	2	Cable Assembly
-	AK58-00265-0003	1	Harness Assembly: 230/50
-	AK58-00081-0000	2	Jumper Cable Assembly: Black - 4"
-	0017-00003-0948	1	12' 220v Line Cord
-	AK58-00224-0001	2	Cable: MOV; Fliter
-	AK58-00223-0003	2	Power Cable Assembly 220-230V
-	0017-00003-0915	1	Line Cord RT Angle Plug

Power Components Schematic 2



Ref #	Part Number	Qty	Description
-	AK58-00083-0000	1	Cable Assembly
-	0017-00003-0915	1	Line Cord RT Angle Plug
-	AK58-00224-0001	1	Cable: MOV; Fliter
-	AK58-00223-0003	2	Power Cable Assembly 220-230V
-	AK58-00265-0003	1	Harness Assembly: 230/50
-	AK58-00210-0000	1	Transformer-Bracket Assembly
-	0017-00032-0198	1	On/Off Switch 22A
-	0017-00003-1015	1	20 amp Line Filter (DOM)
-	0017-00003-0696	1	Line Cord: International High Voltage (Cont.) 103"
-	AK58-00081-0000	1	Jumper Cable Assembly: Black - 4"
-	AK58-00082-0000	1	Jumper Cable Assembly: White - 6"
-	0017-00003-0948	1	12' 220v Line Cord

Rear End Caps And Cup Holders

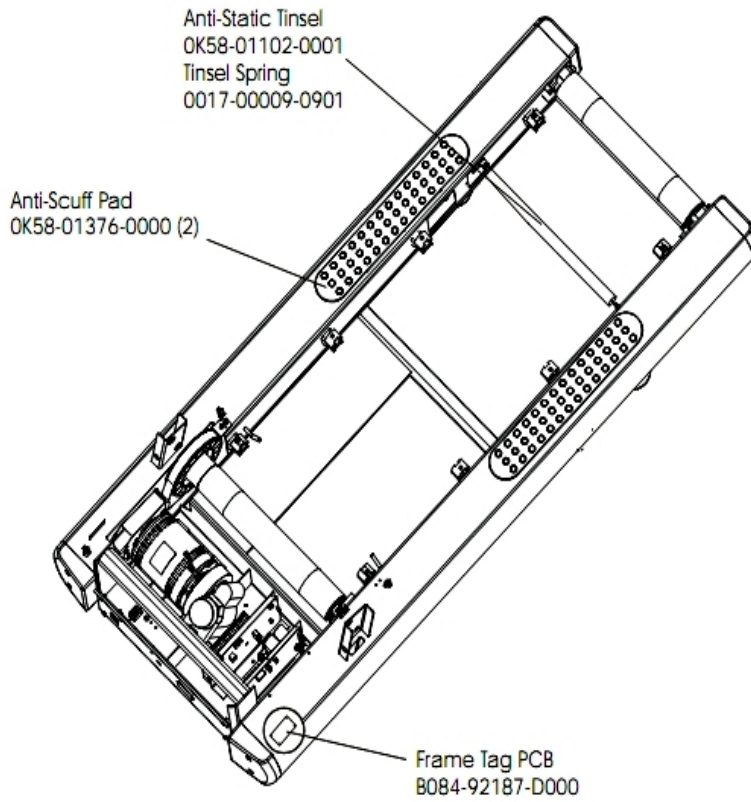


Ref #	Part Number	Qty	Description
-	0017-00101-1772	4	Hardware: Phillips Pan Screw 0.5"
-	AK58-00247-0001	1	Cup Holder Right
-	OK60-01193-0000	1	Decal: LF Logo
-	AK58-00247-0002	1	Cup Holder Left
-	OK58-01268-0302	3	ENDCAP: REAR; STEALTH D

References

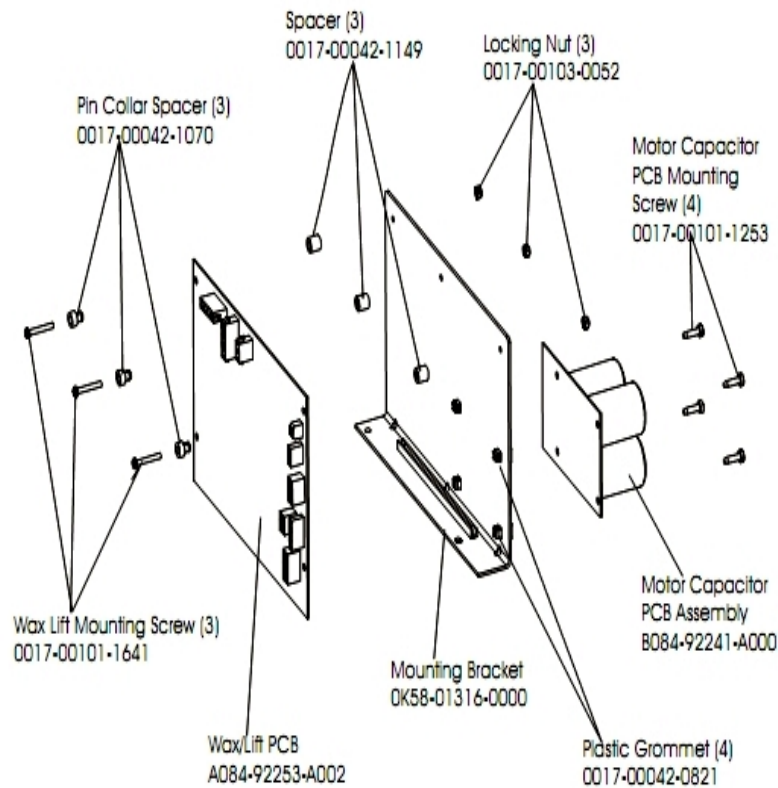
Ref #	Part Number	Qty	Description
-	M051-00K58-A116	1	Installation Instructions
-	0017-00008-0206	1	.33oz Pen - Arctic Silver
-	0017-00008-0204	1	Paint Spray Can - Arctic Silver
-	0017-00008-0205	1	5 oz Bottle - Arctic Silver
-	AK58-00226-0000	1	Hardware Bag

Scuff Pad, Tinsel And Frame Tag Bd.



Ref #	Part Number	Qty	Description
-	OK58-01376-0000	2	Anti-Scuff Pad
-	0017-00009-0901	1	Tinsel Extension Spring
-	OK58-01102-0001	1	Anti-Static Tinsel
-	B084-92187-D000	1	Frame Tag PCB

Wax/Lift Assembly



Ref #	Part Number	Qty	Description
-	0017-00101-1253	4	Hardware: Screw
-	0017-00101-1641	3	Hardware: Phillips Pan Screw
-	0017-00042-0821	4	Hardware: Plastic Grommet
-	B084-92241-A000	1	Motor Capacitor PCB Assembly
-	A084-92253-A002	1	Wax/Lift PCB
-	0K58-01316-0000	1	Mounting Bracket
-	0017-00103-0052	3	Hardware: Locking Nut ID
-	0017-00042-1070	3	Pin Collar Spacer
-	0017-00042-1149	3	Spacer

