

95Te Treadmill w/Integrated LCD screen - Arctic Silver

95TE-0705-02

Parts Manual

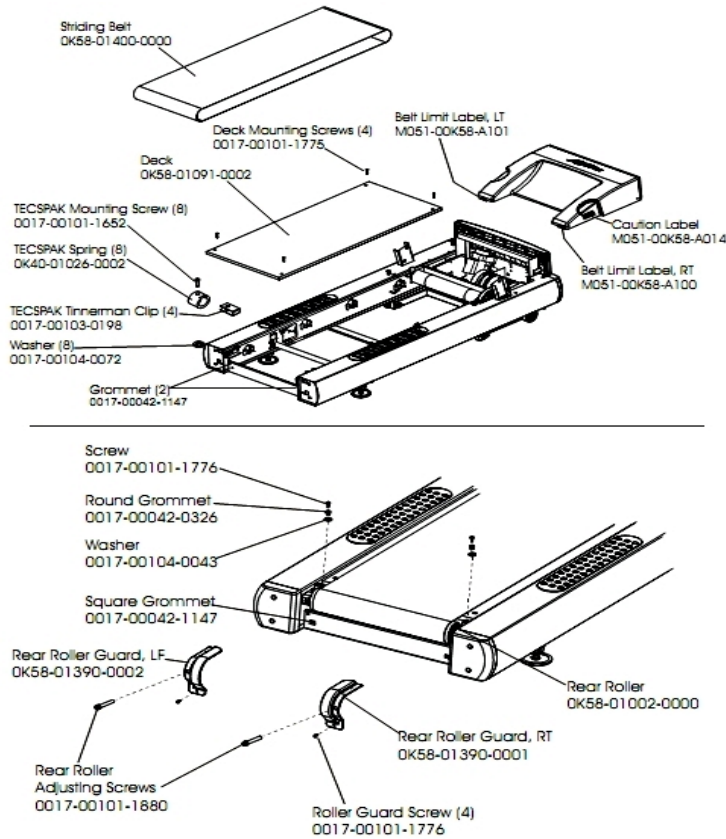
1/5/2019 11:03:22 AM



Table of Contents

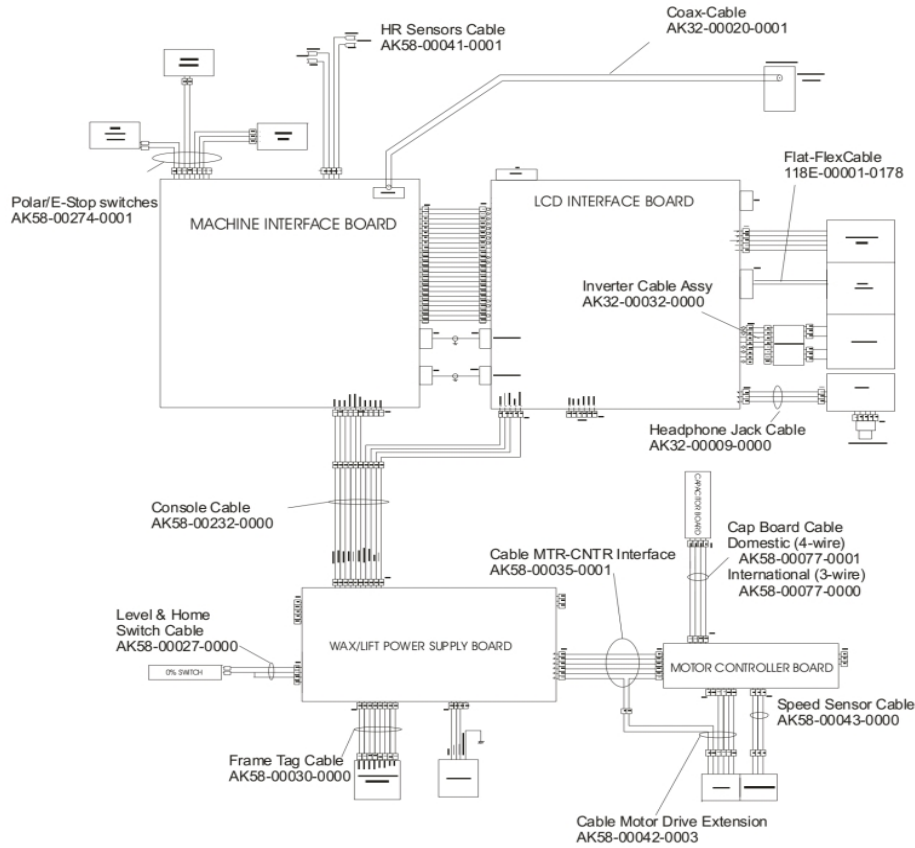
Belt, Deck, And Rear Roller.....	3
Cables.....	4
Console Assembly.....	5
Console Components.....	6
Drive Motor Assembly.....	8
Ergo Bar WithLifepulse.....	9
Front Roller Assembly.....	10
Handrail Assembly.....	11
Idler Arm Assembly And Static Brush.....	12
Leveler Assembly.....	13
Lift Motor And Frame.....	14
Motor Controller Assembly.....	15
Motor Cover, Front Cover And Front End Cap.....	16
Power Components Schematic 1.....	17
Power Components Schematic 2.....	18
Rear End Caps And Cup Holders.....	19
References.....	20
Scuff Pad, Tinsel And Frame Tag Bd.....	21
Wax/Lift Assembly.....	22

Belt, Deck, And Rear Roller



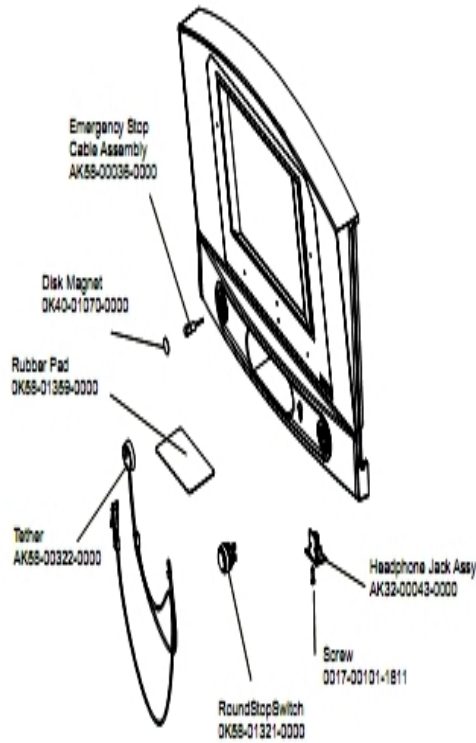
Ref #	Part Number	Qty	Description
-	0017-00101-1775	4	Hardware: Deck Screws 1.25"
-	OK58-01390-0001	1	Rear Roller Guard Right
-	OK65-01263-0000	1	Deck
-	0017-00103-0198	4	Hardware: Tinnerman Clip 1/4" ID
-	0017-00104-0072	8	Hardware: Flat Washer 0.562" OD
-	M051-00K58-A100	1	Label: Belt Limit: Right
-	OK58-01400-0000	1	Striding Belt
-	0017-00042-0326	2	Hardware: Plastic Grommet
-	0017-00042-1147	4	Hardware: Nylon Grommet
-	0017-00101-1652	8	Hardware: Spring Mounting Screw 1"
-	0017-00101-1880	2	Hardware: Tension Bolts 3"
-	0017-00104-0043	2	Hardware: Flat Washer 0.734" OD
-	OK58-01002-0000	1	Rear Roller - 3.5"
-	OK58-01390-0002	1	Rear Roller Guard Left
-	M051-00K58-A014	1	Label: Caution
-	0017-00101-1776	6	Hardware: Mounting Screw 0.5"
-	M051-00K58-A101	1	Belt Limit Label. Left
-	OK40-01026-0002	8	Deck Spring

Cables



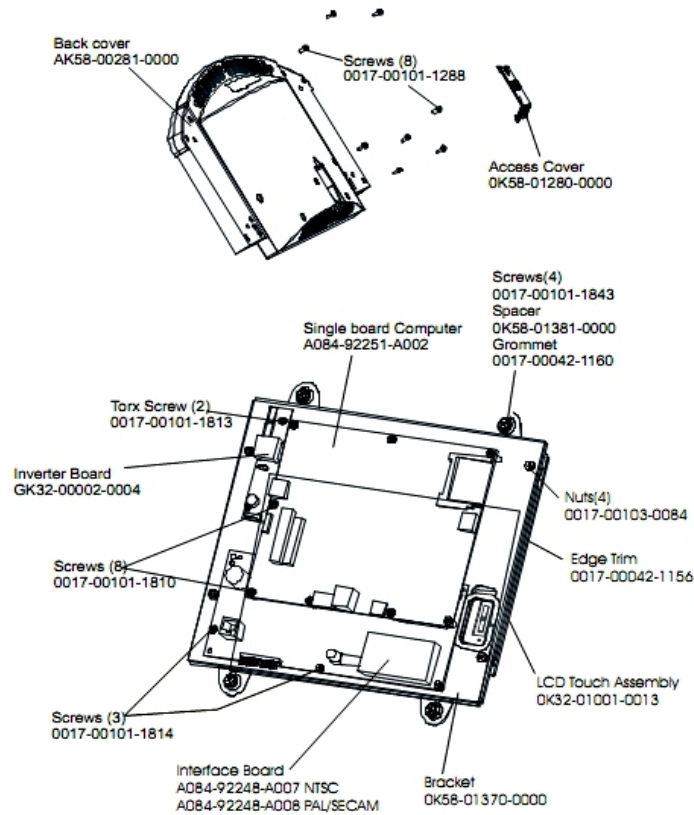
Ref #	Part Number	Qty	Description
-	AK58-00042-0003	1	Cable Motor Drive Extension INT
-	AK58-00043-0000	1	Speed Sensor Cable
-	AK58-00035-0001	1	Motor Controller Interface Cable
-	AK58-00274-0001	1	Polar and Stop Switches: 19.5"
-	AK58-00077-0001	1	Cap Board Cable - Domestic
-	118E-00001-0178	1	Flat Flex Cable
-	AK58-00027-0000	1	Limit Switch Cable
-	AK58-00030-0000	1	Frame Tag Cable
-	AK58-00232-0000	1	Cable-Assembly: Console; Middle
-	AK32-00009-0000	1	Headphone Jack Cable
-	AK32-00032-0000	1	Inverter Cable
-	AK58-00041-0001	1	Heart Rate Sensor Cable
-	AK32-00020-0001	1	Coax Cable: 90"

Console Assembly



Ref #	Part Number	Qty	Description
-	OK58-01321-0000	1	Stop Switch
-	0017-00101-1811	1	Hardware: Phillips Pan Screw 0.625"
-	OK40-01070-0000	1	Magnetic Disk
-	AK58-00516-0006	1	Bezel Switch with Overlay: Japanese
-	AK58-00322-0000	1	Tether Stop Assembly
-	AK58-00036-0000	1	Cable-Assembly: Emergency-Stop Switch
-	AK32-00043-0000	1	Headphone Jack
-	GK58-00002-0101	1	Console with FM Japanese/ NTSC
-	OK58-01359-0000	1	Rubber Pad

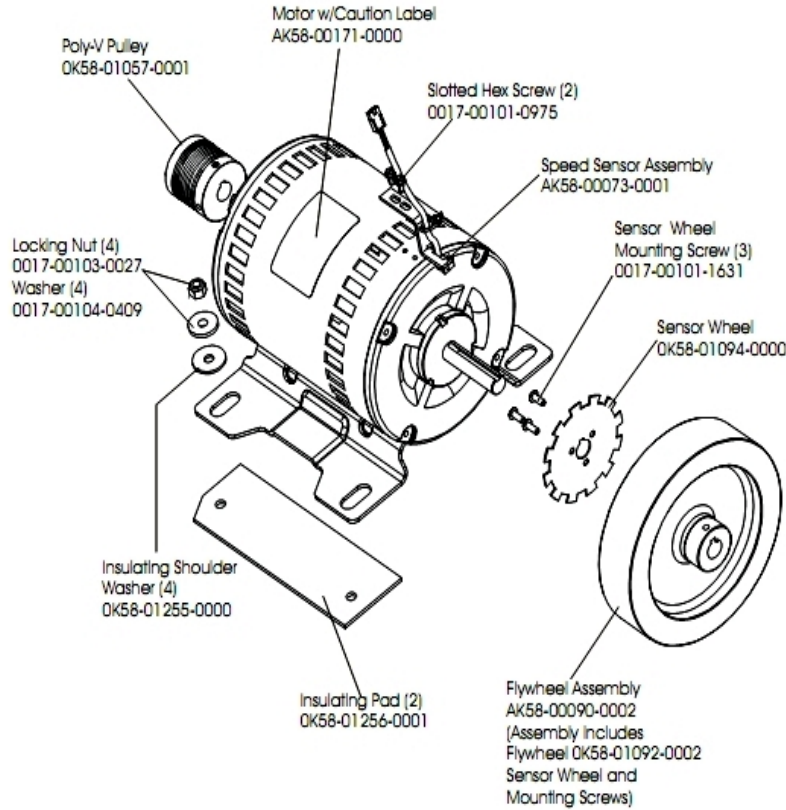
Console Components



Ref #	Part Number	Qty	Description
-	OK58-01381-0000	1	Shoulder Bushing
-	A084-92248-A007	1	Interface Boards NTSC
-	0017-00042-1156	1	Edge Trim
-	GK32-00002-0004	1	Inverter Board
-	0017-00042-1160	1	Grommet
-	0017-00101-1813	2	Hardware: Inverter Board Screw
-	OK32-01001-0013	1	LCD Touchscreen Assembly
-	OK32-01001-0013	1	LCD Touchscreen Assembly
-	OK32-01001-0013	1	LCD Touchscreen Assembly
-	OK32-01001-0013	1	LCD Touchscreen Assembly
-	OK58-01280-0000	1	Accessory Cover
-	AK58-00281-0000	1	Console Back Cover
-	0017-00103-0084	4	Hardware: Nut
-	A084-92251-A002	1	Single Board Computer
-	OK58-01370-0000	1	Bracket
-	0017-00101-1810	8	Hardware: Screw
-	0017-00101-1814	3	Hardware: Screw
-	A084-92248-A007	1	Interface Boards NTSC
-	A084-92248-A007	1	Interface Boards NTSC
-	0017-00101-1288	8	Hardware: Phillips Screw 0.5"
-	A084-92248-A007	1	Interface Boards NTSC

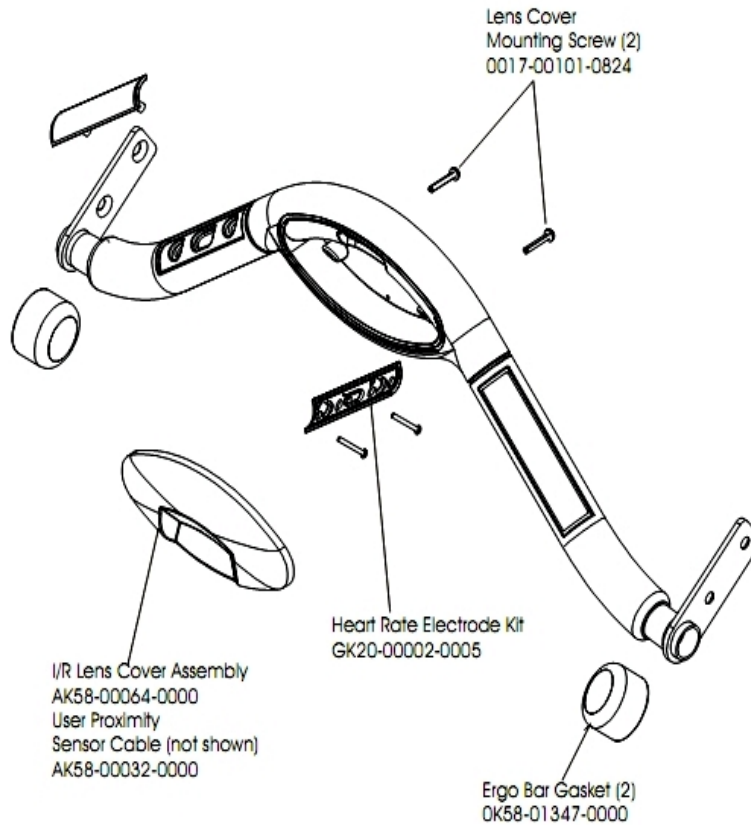
Ref #	Part Number	Qty	Description
-	0017-00101-1843	4	Hardware: Screw

Drive Motor Assembly



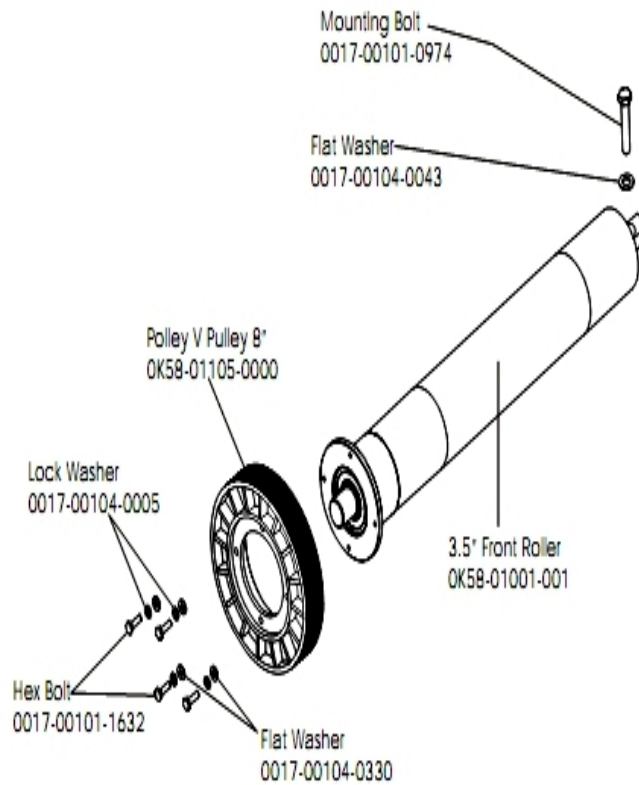
Ref #	Part Number	Qty	Description
-	0017-00101-0975	2	Hardware: Mounting Bolt 0.375"
-	0017-00103-0027	4	Hardware: Locking Nut. 5/16" ID
-	OK58-01057-0001	1	Drive Pulley - 1.971"
-	AK58-00171-0000	2	Motor with Caution Label
-	OK58-01255-0000	4	Hardware: Insulating Washers
-	0017-00104-0409	4	Hardware: Washer 1.125" OD
-	OK58-01094-0000	1	Sensor Wheel
-	AK58-00090-0002	1	Flywheel Assembly
-	OK58-01256-0001	2	Insulating Pad
-	0017-00101-1631	3	Hardware: Sensor Wheel Mounting Screw
-	AK58-00073-0001	1	Speed Sensor Assembly

Ergo Bar WithLifepulse



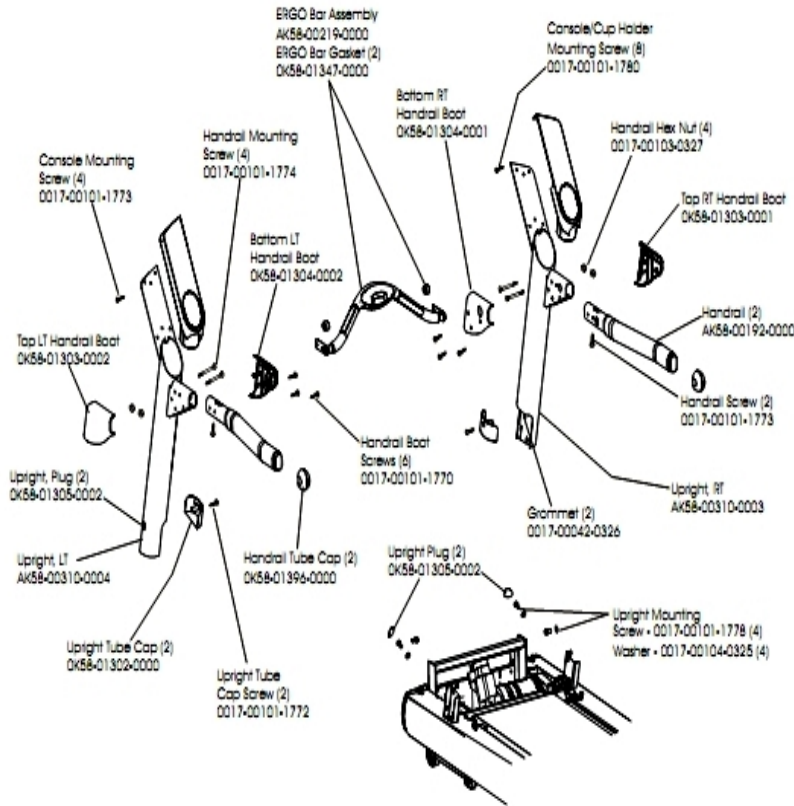
Ref #	Part Number	Qty	Description
-	AK58-00064-0000	1	I/R Lens Cover Assembly
-	GK20-00002-0005	2	Heart Rate Electrode Kit
-	0017-00101-0824	2	Hardware: Screw 1.125"
-	AK58-00032-0000	1	User Proximity Sensor Cable
-	OK58-01347-0000	2	ErgoBar Gasket

Front Roller Assembly



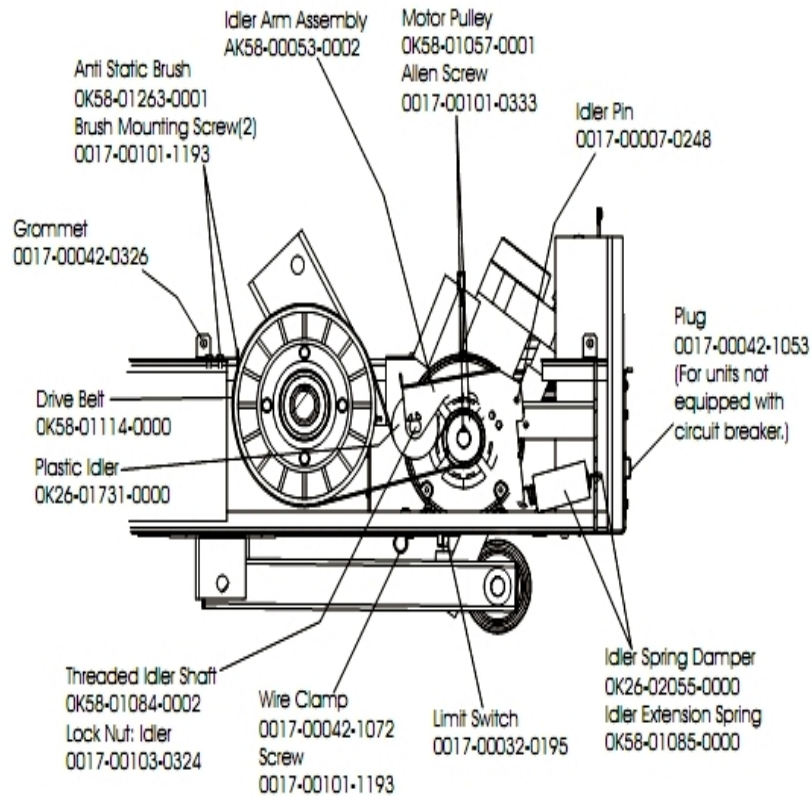
Ref #	Part Number	Qty	Description
-	0017-00101-0974	1	Hardware: Mounting Bolt 2"
-	0017-00101-1632	2	Hardware: Hex Bolt 0.875"
-	OK58-01105-0000	1	Drive Pulley Poly V - 8"
-	0017-00104-0043	1	Hardware: Flat Washer 0.734" OD
-	0017-00104-0005	2	Hardware: Lock Washer 0.489" OD
-	0017-00104-0330	2	Hardware: Flat Washers 0.562" OD
-	AK58-00066-0000	1	Front Roller Assembly
-	OK58-01001-0001	1	Front Roller - 3.5"

Handrail Assembly



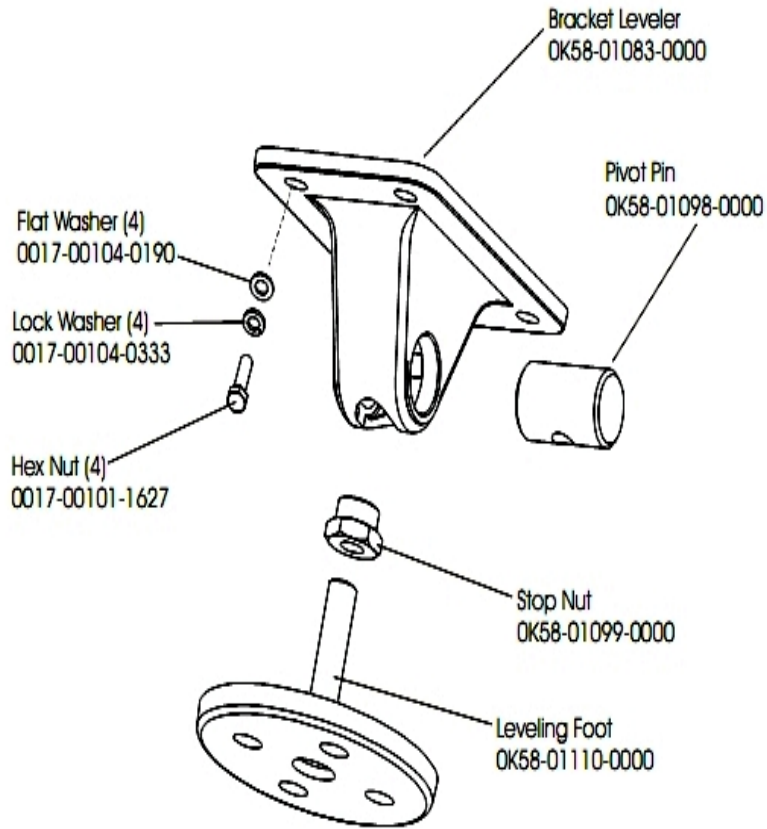
Ref #	Part Number	Qty	Description
-	0017-00101-1773	6	Hardware: TORX Screw 0.5"
-	0017-00101-1774	4	Hardware: TORX Screw 2.5"
-	0K58-01396-0000	2	Endcap
-	0K58-01303-0002	1	Top Left Handrail Boot
-	0K58-01304-0001	1	Bottom Right Handrail Boot
-	0K58-01304-0002	1	Bottom Left Handrail Boot
-	AK58-00219-0000	1	Ergo Bar with Heart Rate Sensors
-	0017-00101-1772	2	Hardware: Phillips Pan Screw 0.5"
-	0K58-01303-0001	1	Top Right Handrail Boot
-	0K58-01347-0000	2	ErgoBar Gasket
-	0017-00042-0326	2	Hardware: Plastic Grommet
-	0017-00103-0327	4	Hardware: Hex Nut 5/16" ID
-	0K58-01302-0103	2	Cap: Upright Tube; Arctic Silver
-	0K58-01305-0002	4	Upright Plug
-	AK58-00256-0001	2	Handrail
-	AK58-00311-0004	1	Upright: Left
-	0017-00101-1778	4	Hardware: Hex Bolt 1"
-	AK58-00310-0003	1	Upright: Right
-	0017-00104-0325	4	Hardware: Washer 0.873" OD
-	0017-00101-1780	8	Hardware: Mounting Screws
-	0017-00101-1770	6	Hardware: Phillips Pan Screw 0.5"

Idler Arm Assembly And Static Brush



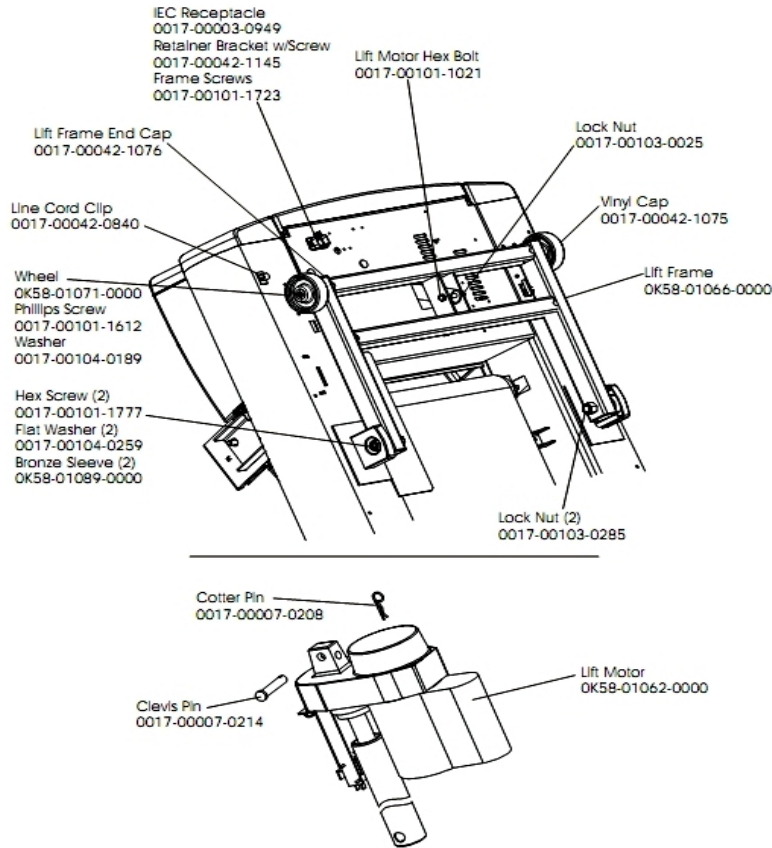
Ref #	Part Number	Qty	Description
-	OK58-01057-0001	1	Drive Pulley - 1.971"
-	OK58-01263-0001	1	Tinsel Bracket
-	0017-00103-0324	1	Hardware: Thin Lock Nut 3/8" ID
-	OK26-01731-0000	1	Plastic Idler 2 5/8" OD
-	OK26-02055-0000	1	Spring Damper
-	0017-00032-0195	1	Home Switch
-	0017-00042-1072	1	Hardware: Wire Clamp - 5/8"
-	0017-00007-0248	1	Hardware: Locking Pin .31" D 2.125" L
-	0017-00042-0326	1	Hardware: Plastic Grommet
-	0017-00101-1193	3	Hardware: Screw 0.375"
-	OK58-01114-0000	1	Poly-V Drive Belt - 370J12
-	OK58-01084-0002	1	Threaded Shaft
-	0017-00101-0333	1	Hardware: Screw 0.3125"
-	AK58-00053-0002	1	Idler Arm Assembly
-	OK58-01085-0000	1	Extension Spring
-	0017-00042-1053	1	Plug (For units not equipped with circuit breaker.)

Leveler Assembly



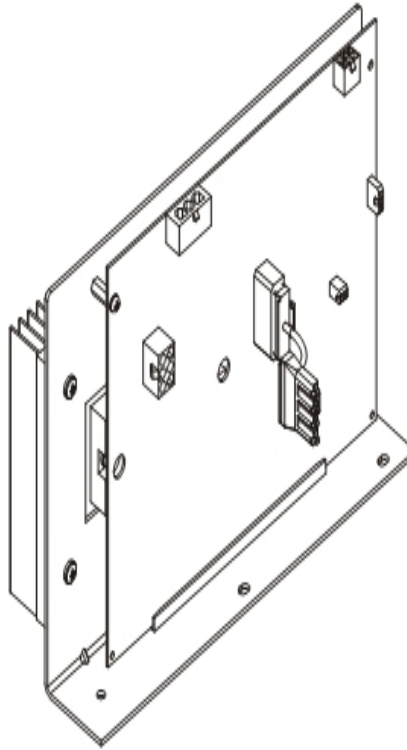
Ref #	Part Number	Qty	Description
-	AK58-00370-0000	1	Leveler Assembly
-	OK58-01098-0000	1	Hardware: Pivot Pin
-	0017-00104-0190	4	Hardware: Flat Washer 0.734" OD
-	OK58-01099-0000	1	Hardware: Stop Nut
-	OK58-01083-0000	1	Leveler Bracket
-	OK58-01110-0000	1	Leveler Foot
-	0017-00101-1627	4	Hardware: Hex Nut
-	0017-00104-0333	4	Hardware: Washer 0.683" OD

Lift Motor And Frame



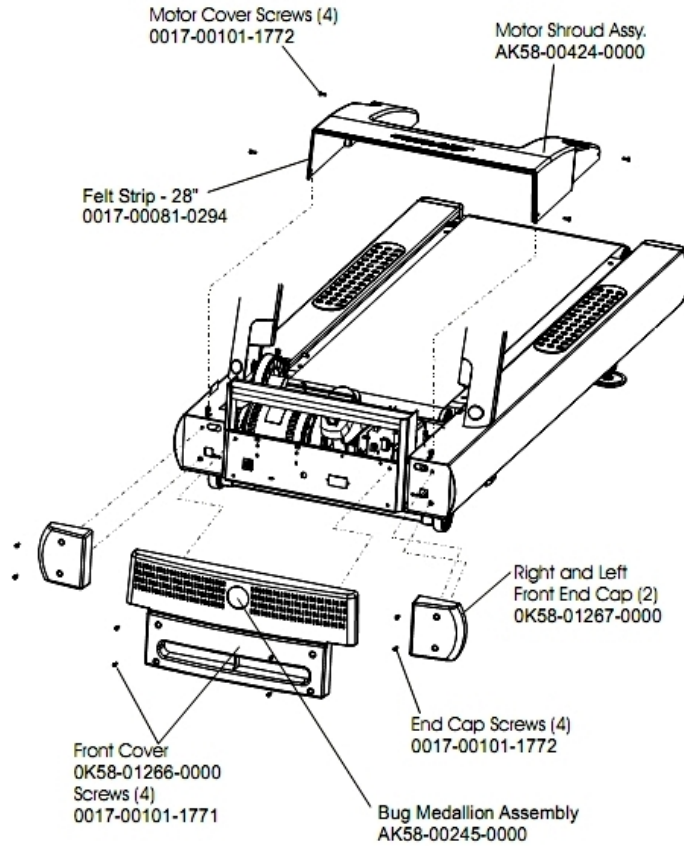
Ref #	Part Number	Qty	Description
-	0017-00042-1076	1	Lift Frame End Cap
-	0017-00103-0285	2	Hardware: Nut 5/8" ID
-	0017-00007-0208	1	Hardware: Cotter Pin
-	0017-00101-1777	2	Hardware: Lift Frame Mounting Bolt 2.75"
-	0017-00104-0189	2	Hardware: Flat Washer 1" OD
-	0017-00101-1723	2	Hardware: Phillips Pan Screw 0.375"
-	0017-00042-1145	1	Power Cord Retainer
-	0017-00101-1021	1	Hardware: Lift Motor Hex Bolt 2.5"
-	0017-00103-0025	1	Hardware: Locking Nut 3/8" ID
-	0017-00104-0259	2	Hardware: Washer 1.331" OD
-	AK58-00220-0000	1	LIFT-FRAME ASSY: MFG. C
-	OK58-01062-0000	1	Lift Motor - 120/60
-	OK58-01089-0000	2	Bronze Sleeve Bushings
-	0017-00042-0840	1	Hardware: Push Mount Clip
-	OK58-01071-0000	2	Wheel
-	0017-00101-1612	1	Hardware: Phillips Screw 0.5"
-	0017-00003-0949	1	IEC Receptacle
-	0017-00042-1075	1	Vinyl Cap
-	0017-00007-0214	1	Hardware: Clevis Pin 3/8" D 1.75" L

Motor Controller Assembly



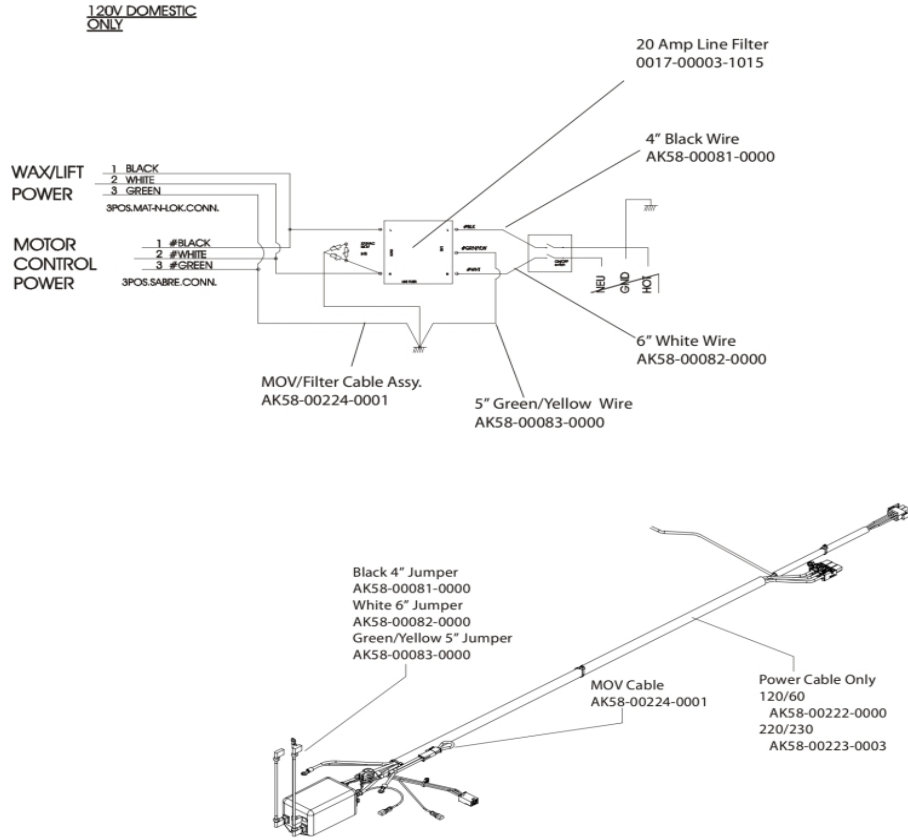
Ref #	Part Number	Qty	Description
-	GK65-00002-0018	1	Kit: Service; Motor Controller; 100-120VA; Display

Motor Cover, Front Cover And Front End Cap



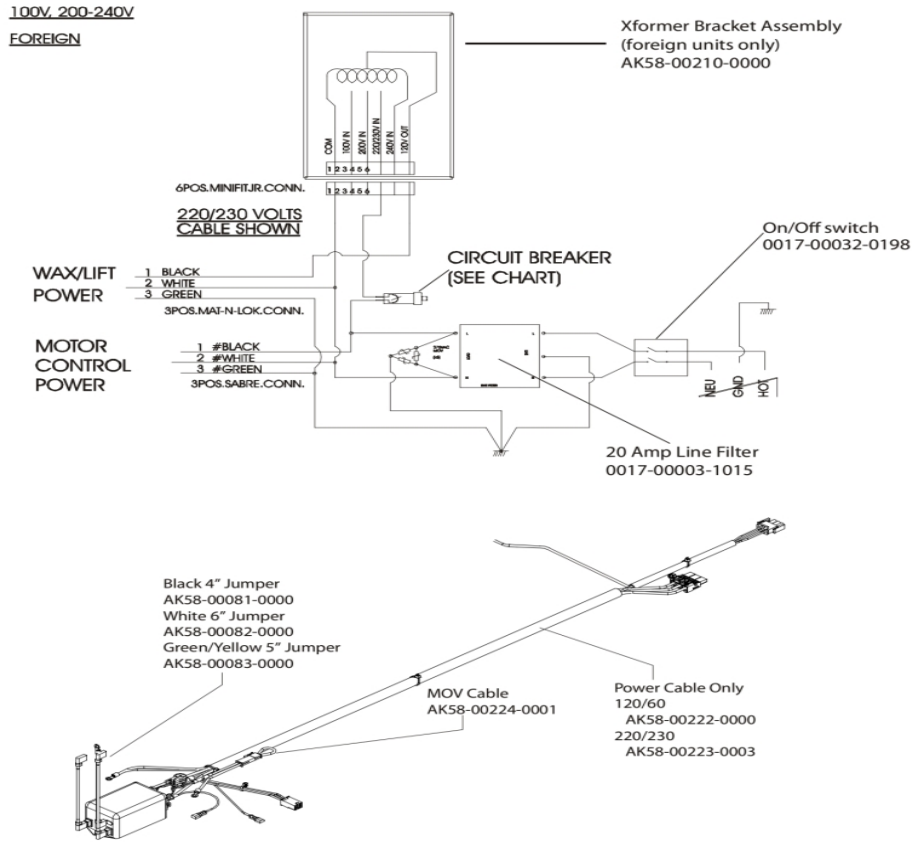
Ref #	Part Number	Qty	Description
-	AK58-00245-0000	1	Bug Medallion
-	0017-00081-0294	1	Felt Strip - 28"
-	0K58-01266-0000	1	Front Cover
-	0K58-01267-0000	2	End Cap
-	AK58-00424-0000	1	Motor Shroud
-	0017-00101-1772	8	Hardware: Phillips Pan Screw 0.5"
-	0017-00101-1771	4	Hardware: Phillips Pan Screw

Power Components Schematic 1



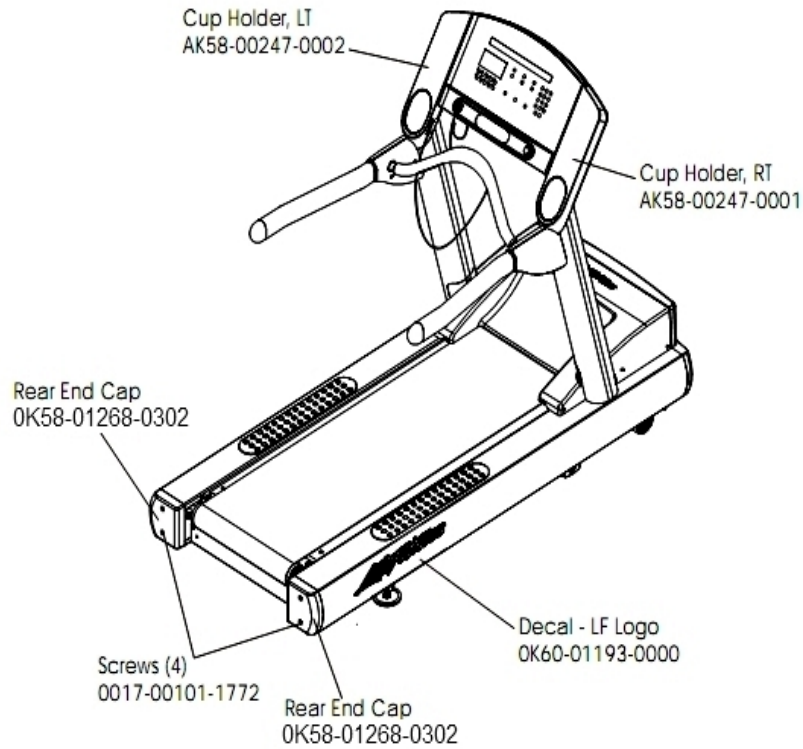
Ref #	Part Number	Qty	Description
-	0017-00003-0974	1	Line Cord: 120V: 8'
-	AK58-00222-0000	1	Power Cable Assembly 120V
-	AK58-00223-0001	1	Power Cable Assembly 100V
-	AK58-00082-0000	2	Jumper Cable Assembly: White - 6"
-	0017-00003-0947	1	Line Cord: 120V; 20A; 12'
-	AK58-00224-0001	2	Cable: MOV; Fliter
-	0017-00003-1015	2	20 amp Line Filter (DOM)
-	AK58-00083-0000	2	Cable Assembly
-	0017-00003-0915	1	Line Cord RT Angle Plug
-	AK58-00081-0000	2	Jumper Cable Assembly: Black - 4"
-	AK58-00265-0006	1	Harness Assembly: 100/50

Power Components Schematic 2



Ref #	Part Number	Qty	Description
-	AK58-00082-0000	1	Jumper Cable Assembly: White - 6"
-	0017-00003-0947	1	Line Cord: 120V; 20A; 12'
-	AK58-00083-0000	1	Cable Assembly
-	0017-00003-0915	1	Line Cord RT Angle Plug
-	AK58-00224-0001	1	Cable: MOV; Fliter
-	AK58-00210-0000	1	Transformer-Bracket Assembly
-	0017-00032-0198	1	On/Off Switch 22A
-	0017-00003-1015	2	20 amp Line Filter (DOM)
-	AK58-00081-0000	1	Jumper Cable Assembly: Black - 4"
-	AK58-00222-0000	1	Power Cable Assembly 120V
-	0017-00003-0974	1	Line Cord: 120V: 8'
-	AK58-00223-0001	1	Power Cable Assembly 100V
-	AK58-00265-0006	1	Harness Assembly: 100/50

Rear End Caps And Cup Holders

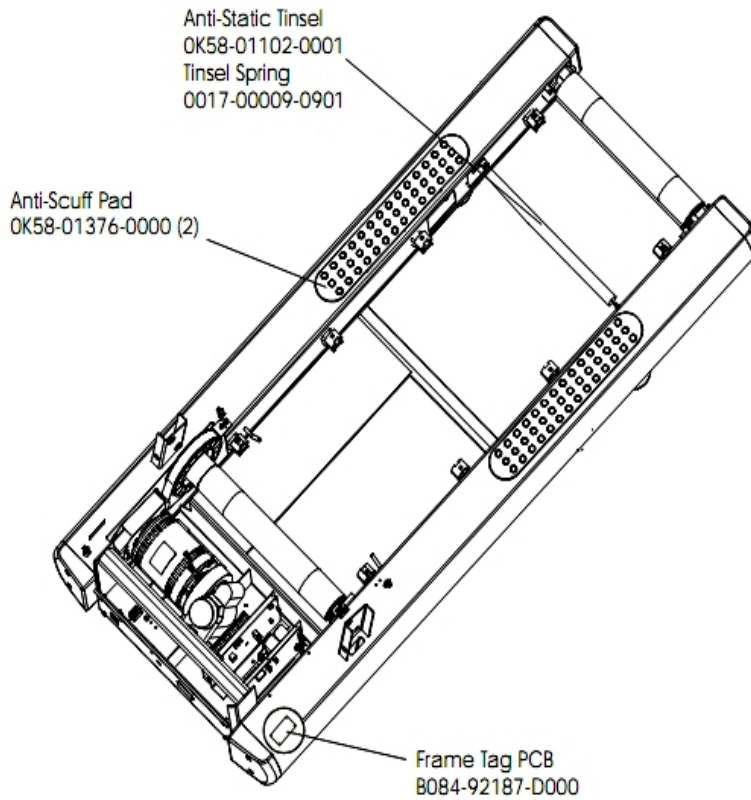


Ref #	Part Number	Qty	Description
-	0017-00101-1772	4	Hardware: Phillips Pan Screw 0.5"
-	AK58-00247-0001	1	Cup Holder Right
-	OK60-01193-0000	1	Decal: LF Logo
-	AK58-00247-0002	1	Cup Holder Left
-	OK58-01268-0302	3	ENDCAP: REAR; STEALTH D

References

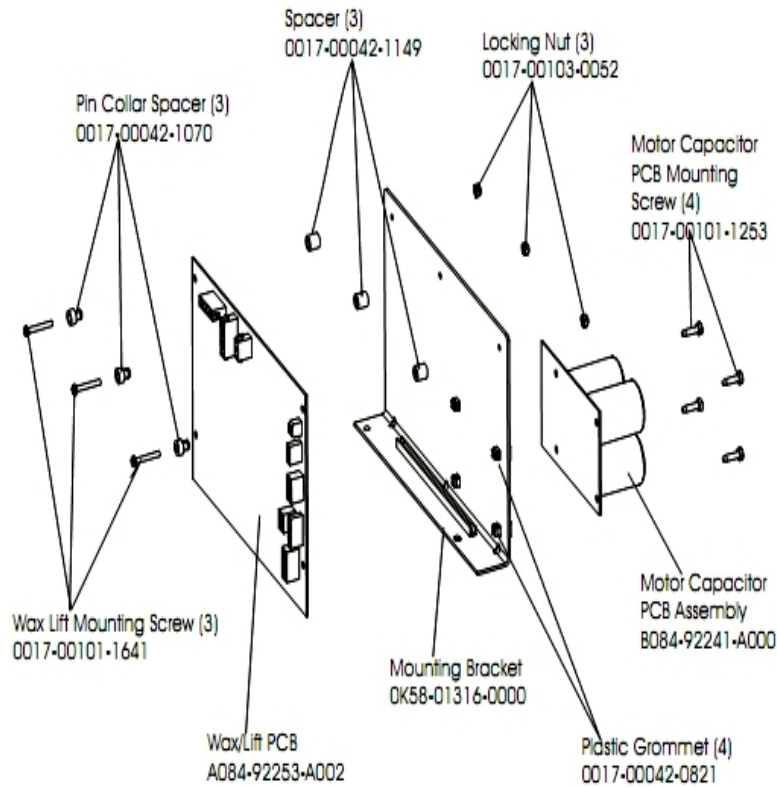
Ref #	Part Number	Qty	Description
-	M051-00K58-A116	1	Installation Instructions
-	0017-00008-0206	1	.33oz Pen - Arctic Silver
-	0017-00008-0204	1	Paint Spray Can - Arctic Silver
-	0017-00008-0205	1	5 oz Bottle - Arctic Silver
-	AK58-00226-0000	1	Hardware Bag

Scuff Pad, Tinsel And Frame Tag Bd.



Ref #	Part Number	Qty	Description
-	OK58-01376-0000	2	Anti-Scuff Pad
-	0017-00009-0901	1	Tinsel Extension Spring
-	OK58-01102-0001	1	Anti-Static Tinsel
-	B084-92187-D000	1	Frame Tag PCB

Wax/Lift Assembly



Ref #	Part Number	Qty	Description
-	0017-00101-1253	4	Hardware: Screw
-	0017-00101-1641	3	Hardware: Phillips Pan Screw
-	0017-00042-0821	4	Hardware: Plastic Grommet
-	B084-92241-A000	1	Motor Capacitor PCB Assembly
-	A084-92253-A002	1	Wax/Lift PCB
-	0K58-01316-0000	1	Mounting Bracket
-	0017-00103-0052	3	Hardware: Locking Nut ID
-	0017-00042-1070	3	Pin Collar Spacer
-	0017-00042-1149	3	Spacer

