

# 95Te Treadmill w/Integrated LCD- 4HP AC - Heart Rate

95TE-0705-07

## Parts Manual

1/5/2019 11:03:23 AM



**LifeFitness**  
WHAT WE LIVE FOR

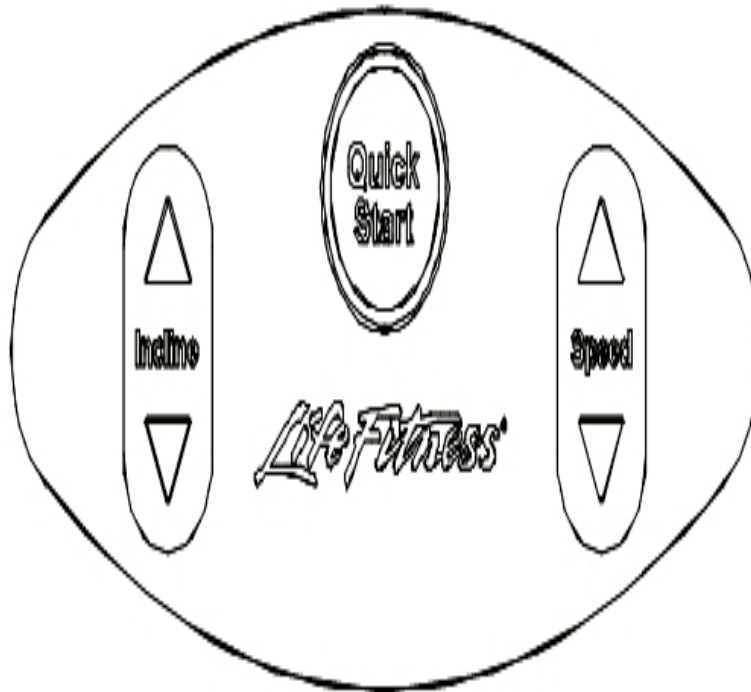
## Table of Contents

---

|  |    |
|--|----|
| <a href="#">A-Z Module With Overlay</a> .....                        | 3  |
| <a href="#">Belt, Deck, And Rear Roller</a> .....                    | 4  |
| <a href="#">Cables</a> .....   | 5  |
| <a href="#">Console And Overlay</a> .....                            | 7  |
| <a href="#">Console Components 1</a> .....                           | 8  |
| <a href="#">Console Components 2</a> .....                           | 9  |
| <a href="#">Drive Motor Assembly</a> .....                           | 10 |
| <a href="#">DSP - Controller</a> .....                               | 11 |
| <a href="#">Ergo Bar, Heart Rate Sensors And Activity Zone</a> ..... | 12 |
| <a href="#">Front Roller Assembly</a> .....                          | 13 |
| <a href="#">Idler Arm</a> .....                                      | 14 |
| <a href="#">Leg Leveler Assembly</a> .....                           | 15 |
| <a href="#">Lift Frame, Lift Motor, And IEC Receptacle</a> .....     | 16 |
| <a href="#">Line Cords And Line Cord Options</a> .....               | 18 |
| <a href="#">Motor Cover, Front Cover And Front End Caps</a> .....    | 19 |
| <a href="#">On-Off Switch, Access Plate And Grommets</a> .....       | 20 |
| <a href="#">Rear End Caps And Cup Holders</a> .....                  | 21 |
| <a href="#">References</a> .....                                     | 22 |
| <a href="#">Scuff Pad And Tinsel</a> .....                           | 24 |
| <a href="#">Stride Sensor And Stride Sensor Pcb</a> .....            | 25 |
| <a href="#">Uprights And Handrails</a> .....                         | 26 |

## A-Z Module With Overlay

---



| Ref # | Part Number     | Qty | Description                             |
|-------|-----------------|-----|---|
| -     | 0K58-01461-0006 | 1   | Activity Zone Overlay Japanese/Metric   |
| -     | AK58-00556-0006 | 1   | Activity Zone Assembly: Japanese/Metric |

## Belt, Deck, And Rear Roller

---

| Ref # | Part Number     | Qty | Description                        |
|-------|-----------------|-----|------------------------------------|
| -     | 0017-00103-0198 | 4   | Hardware: Tinnerman Clip 1/4" ID   |
| -     | M051-00K58-A101 | 1   | Belt Limit Label. Left             |
| -     | 0K65-01263-0000 | 1   | Deck                               |
| -     | M051-00K58-A100 | 1   | Label: Belt Limit: Right           |
| -     | 0K40-01026-0002 | 8   | Deck Spring                        |
| -     | 0017-00101-1775 | 4   | Hardware: Deck Screws 1.25"        |
| -     | M051-00K58-A014 | 1   | Label: Caution                     |
| -     | 0K58-01002-0000 | 1   | Rear Roller - 3.5"                 |
| -     | 0017-00104-0072 | 8   | Hardware: Flat Washer 0.562" OD    |
| -     | 0017-00101-1652 | 8   | Hardware: Spring Mounting Screw 1" |
| -     | 0K58-01400-0000 | 1   | Striding Belt                      |
| -     | 0017-00101-1880 | 2   | Hardware: Tension Bolts 3"         |

## Cables

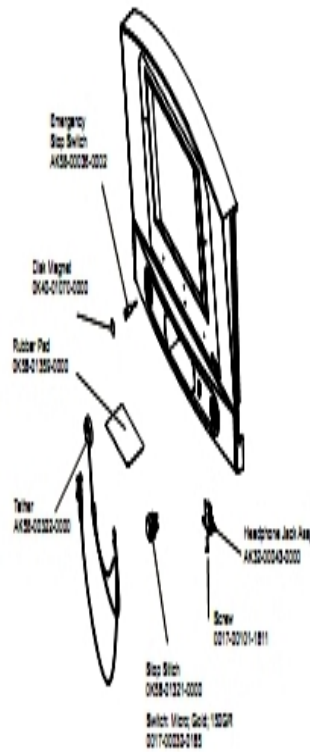
---

| Ref # | Part Number     | Qty | Description                              |
|-------|-----------------|-----|--|
| -     | AK58-00027-0000 | 1   | Limit Switch Cable                       |
| -     | AK58-00081-0000 | 1   | Jumper Cable Assembly: Black - 4"        |
| -     | AK58-00263-0000 | 1   | Hi-Pot Jumper Cable                      |
| -     | AK58-00523-0000 | 1   | Cable: Jumper; Power; LCD Console        |
| -     | AK58-00041-0001 | 1   | Heart Rate Sensor Cable                  |
| -     | AK58-00520-0000 | 1   | Power Cable Assembly: 100-120V           |
| -     | AK32-00020-0001 | 1   | Coax Cable: 90"                          |
| -     | AK58-00232-0000 | 1   | Cable-Assembly: Console; Middle          |
| -     | AK58-00524-0000 | 1   | Cable: Thermal Adapter                   |
| -     | AK58-00274-0001 | 1   | Polar and Stop Switches: 19.5"           |
| -     | AK58-00083-0000 | 1   | Cable Assembly                           |
| -     | 118E-00001-0178 | 1   | Flat Flex Cable                          |
| -     | AK58-00597-0000 | 1   | Cable Extension ISO Sensor               |
| -     | AK58-00082-0000 | 1   | Jumper Cable Assembly: White - 6"        |
| -     | AK58-00083-0001 | 1   | Jumper Cable Assembly: Green/Yellow - 7" |
| -     | AK58-00036-0000 | 1   | Cable-Assembly: Emergency-Stop Switch    |
| -     | AK58-00273-0001 | 1   | Power Cable                              |
| -     | AK58-00224-0001 | 1   | Cable: MOV; Fliter                       |
| -     | AK58-00032-0000 | 1   | User Proximity Sensor Cable              |
| -     | AK32-00019-0001 | 1   | Ethernet Cable                           |
| -     | AK32-00009-0000 | 1   | Headphone Jack Cable                     |

| <b>Ref #</b> | <b>Part Number</b> | <b>Qty</b> | <b>Description</b>           |
|--------------|--------------------|------------|------------------------------|
| -            | 0017-00003-1015    | 1          | 20 amp Line Filter (DOM)     |
| -            | AK58-00210-0000    | 1          | Transformer-Bracket Assembly |
| -            | AK58-00598-0000    | 1          | Cable: ISO Power             |

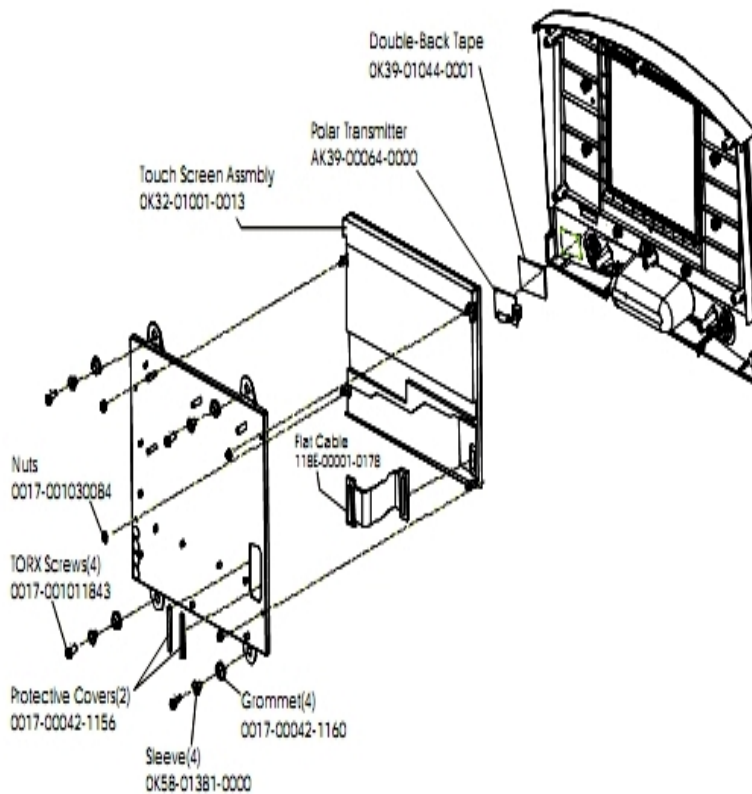
## Console And Overlay

---



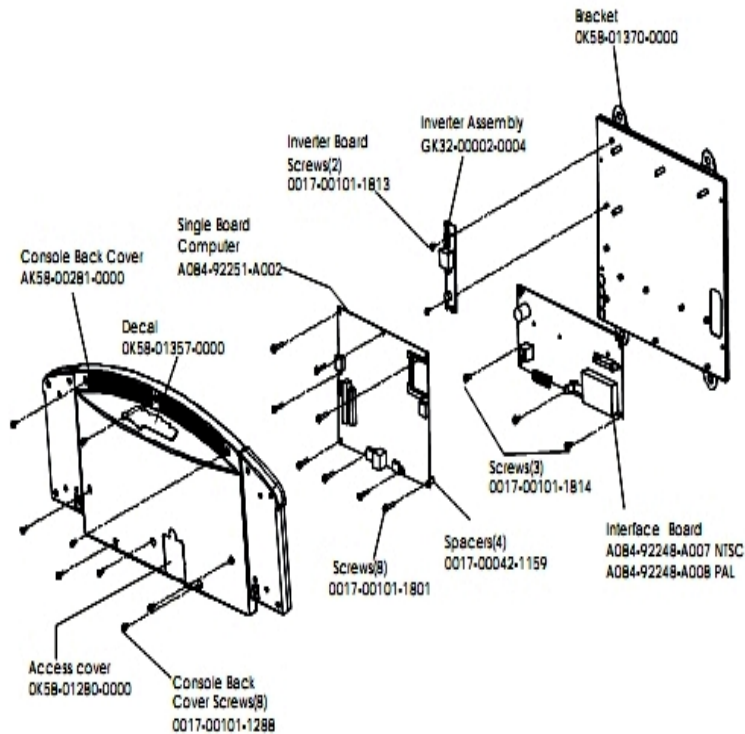
| Ref # | Part Number     | Qty | Description                         |
|-------|-----------------|-----|-------------------------------------|
| -     | AK58-00516-0006 | 1   | Bezel Switch with Overlay: Japanese |
| -     | GK58-00002-0101 | 1   | Console with FM Japanese/ NTSC      |
| -     | OK58-01377-0006 | 1   | Overlay: 95Te/97Te; Japanese        |

## Console Components 1



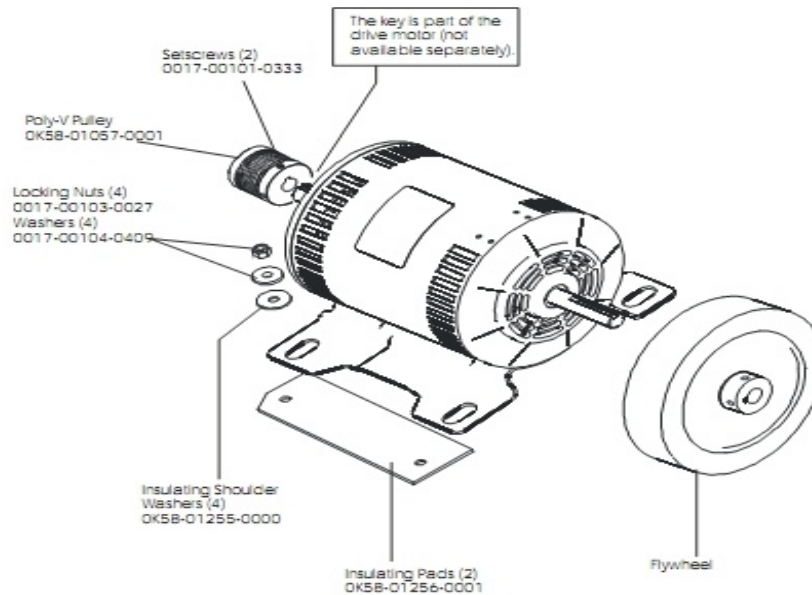
| Ref # | Part Number     | Qty | Description                         |
|-------|-----------------|-----|-------------------------------------|
| -     | OK39-01044-0001 | 1   | Double-sided Tape                   |
| -     | 0017-00103-0084 | 4   | Hardware: Nut                       |
| -     | 0017-00042-1156 | 2   | Edge Trim                           |
| -     | OK32-01001-0013 | 1   | LCD Touchscreen Assembly            |
| -     | OK32-01001-0013 | 1   | LCD Touchscreen Assembly            |
| -     | 118E-00001-0178 | 1   | Flat Flex Cable                     |
| -     | OK32-01001-0013 | 1   | LCD Touchscreen Assembly            |
| -     | 0017-00042-1160 | 4   | Grommet                             |
| -     | OK58-01381-0000 | 4   | Shoulder Bushing                    |
| -     | 0017-00101-1843 | 4   | Hardware: Screw                     |
| -     | 118E-00001-0259 | 1   | Wireless Receiver Module, Non-Coded |
| -     | OK32-01001-0013 | 1   | LCD Touchscreen Assembly            |

## Console Components 2



| Ref # | Part Number     | Qty | Description                    |
|-------|-----------------|-----|--------------------------------|
| -     | OK58-01370-0000 | 1   | Bracket                        |
| -     | A084-92251-A002 | 1   | Single Board Computer          |
| -     | 0017-00042-1159 | 4   | Spacers                        |
| -     | A084-92248-A007 | 1   | Interface Boards NTSC          |
| -     | A084-92248-A007 | 1   | Interface Boards NTSC          |
| -     | A084-92248-A007 | 1   | Interface Boards NTSC          |
| -     | A084-92248-A007 | 1   | Interface Boards NTSC          |
| -     | A084-92248-A008 | 1   | Interface Board PAL            |
| -     | 0017-00101-1813 | 2   | Hardware: Inverter Board Screw |
| -     | OK58-01280-0000 | 1   | Accessory Cover                |
| -     | AK58-00281-0000 | 1   | Console Back Cover             |
| -     | 0017-00101-1288 | 8   | Hardware: Phillips Screw 0.5"  |
| -     | 0017-00101-1801 | 8   | Hardware: Screw                |
| -     | 0017-00101-1814 | 3   | Hardware: Screw                |
| -     | OK58-01357-0000 | 1   | Decal                          |
| -     | GK32-00002-0004 | 1   | Inverter Board                 |

## Drive Motor Assembly

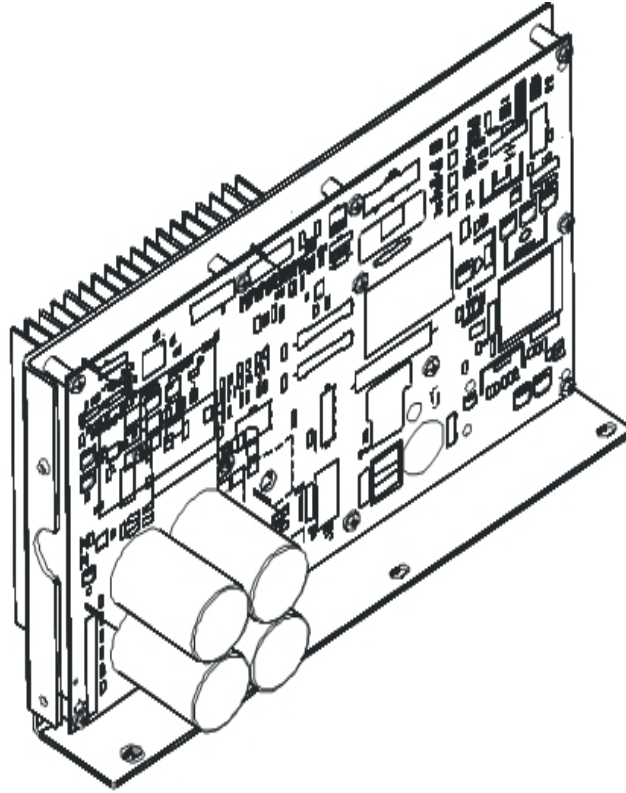


| Description                | Part Nos.                           |                                    |
|----------------------------|-------------------------------------|------------------------------------|
|                            | S/N TSE100000—TSE100568             | S/N TSE100569 and up               |
| Drive Motor Assembly       | AK58-00171-0001<br>(dual cable)     | AK58-00171-0002<br>(tapered shaft) |
| Cast Iron Flywheel         | OK58-01092-0002                     | OK58-01092-0004                    |
| Flywheel<br>Setscrews/Bolt | 0017-00101-0975<br>(uses setscrews) | 0017-00101-1885<br>(uses bolt)     |

| Ref # | Part Number     | Qty | Description                           |
|-------|-----------------|-----|---------------------------------------|
| -     | OK58-01092-0002 | 1   | Cast Iron Flywheel                    |
| -     | 0017-00101-1885 | 1   | Hardware: Hex Bolt 1"                 |
| -     | OK58-01255-0000 | 4   | Hardware: Insulating Washers          |
| -     | OK58-01092-0004 | 1   | Cast Iron Flywheel                    |
| -     | OK58-01386-0004 | 1   | MOTOR: MAIN DRIVE, 230V/50HZ, W/TAPER |
| -     | 0017-00104-0409 | 4   | Hardware: Washer 1.125" OD            |
| -     | 0017-00101-0333 | 2   | Hardware: Screw 0.3125"               |
| -     | 0017-00103-0027 | 4   | Hardware: Locking Nut. 5/16" ID       |
| -     | 0017-00101-0975 | 1   | Hardware: Mounting Bolt 0.375"        |
| -     | AK58-00171-0001 | 1   | Drive Motor Assembly                  |
| -     | OK58-01057-0001 | 1   | Drive Pulley - 1.971"                 |

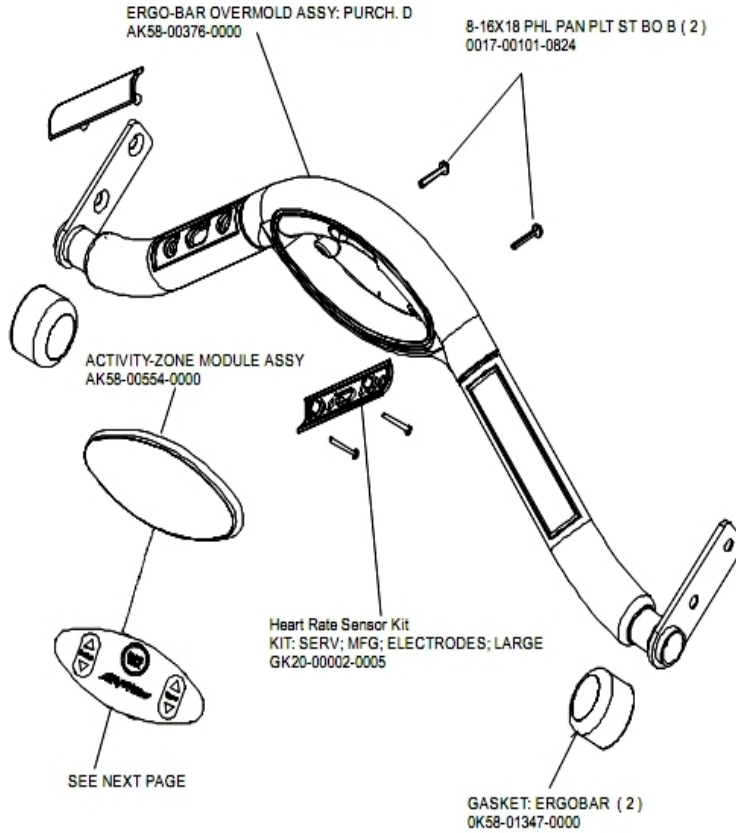
## DSP - Controller

---



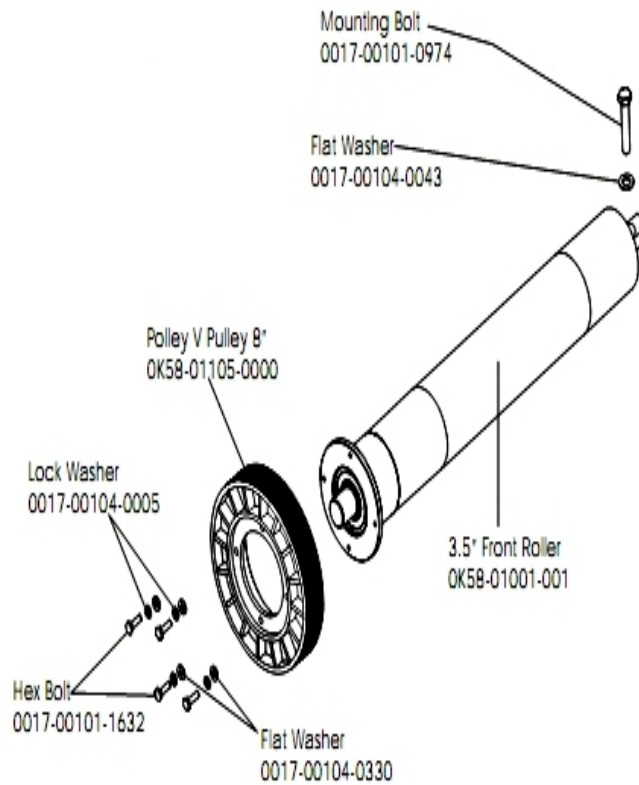
| Ref # | Part Number     | Qty | Description                   |
|-------|-----------------|-----|-------------------------------|
| -     | GK58-00002-0119 | 1   | Display Control- 100-120; LCD |
| -     | GK58-00002-0119 | 1   | Display Control- 100-120; LCD |
| -     | GK58-00002-0119 | 1   | Display Control- 100-120; LCD |
| -     | GK58-00002-0119 | 1   | Display Control- 100-120; LCD |

## Ergo Bar, Heart Rate Sensors And Activity Zone



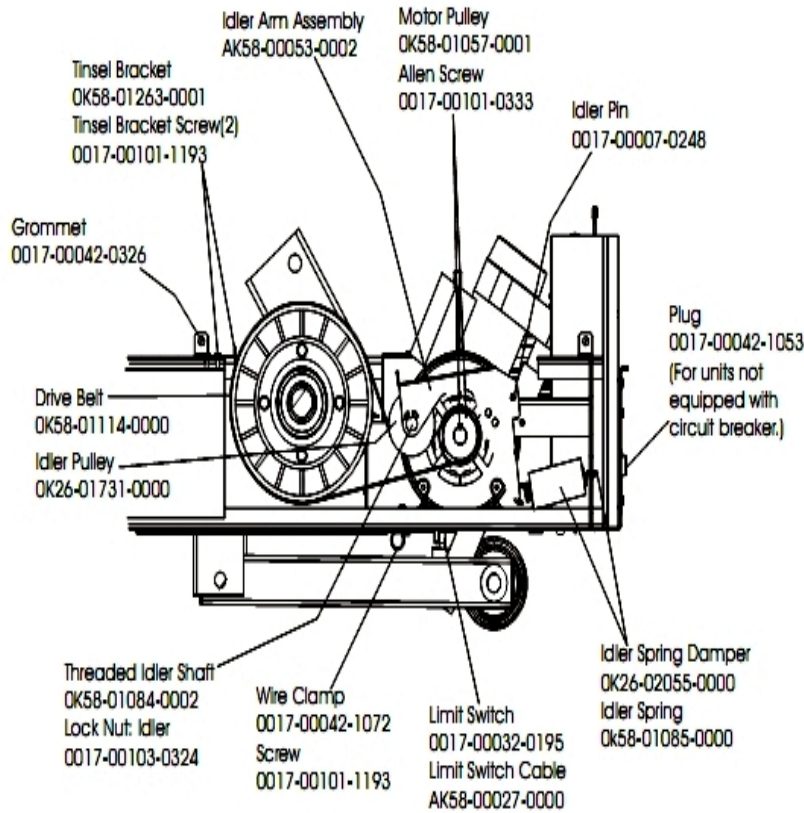
| Ref # | Part Number     | Qty | Description   |
|-------|-----------------|-----|---|
| -     | AK58-00554-0201 | 1   | Activity-Zone Module Assembly: Purchased; Generic Shadow Grey |
| -     | GK20-00002-0005 | 2   | Heart Rate Electrode Kit                                      |
| -     | 0017-00101-0824 | 2   | Hardware: Screw 1.125"  |
| -     | AK58-00376-0001 | 1   | Ergo-Bar Overmold Assembly                                    |
| -     | 0K58-01347-0000 | 2   | ErgoBar Gasket  |

## Front Roller Assembly



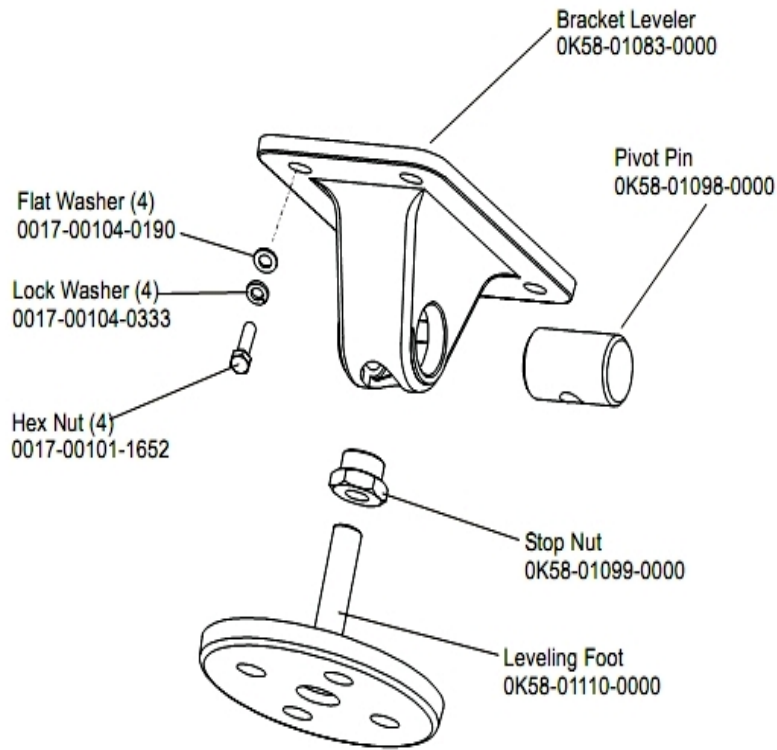
| Ref # | Part Number     | Qty | Description                      |
|-------|-----------------|-----|----------------------------------|
| -     | 0017-00101-0974 | 1   | Hardware: Mounting Bolt 2"       |
| -     | 0017-00104-0043 | 1   | Hardware: Flat Washer 0.734" OD  |
| -     | 0017-00104-0005 | 2   | Hardware: Lock Washer 0.489" OD  |
| -     | OK58-01001-0001 | 1   | Front Roller - 3.5"              |
| -     | OK58-01105-0000 | 1   | Drive Pulley Poly V - 8"         |
| -     | 0017-00104-0330 | 2   | Hardware: Flat Washers 0.562" OD |
| -     | AK58-00066-0000 | 1   | Front Roller Assembly            |
| -     | 0017-00101-1632 | 2   | Hardware: Hex Bolt 0.875"        |

## Idler Arm



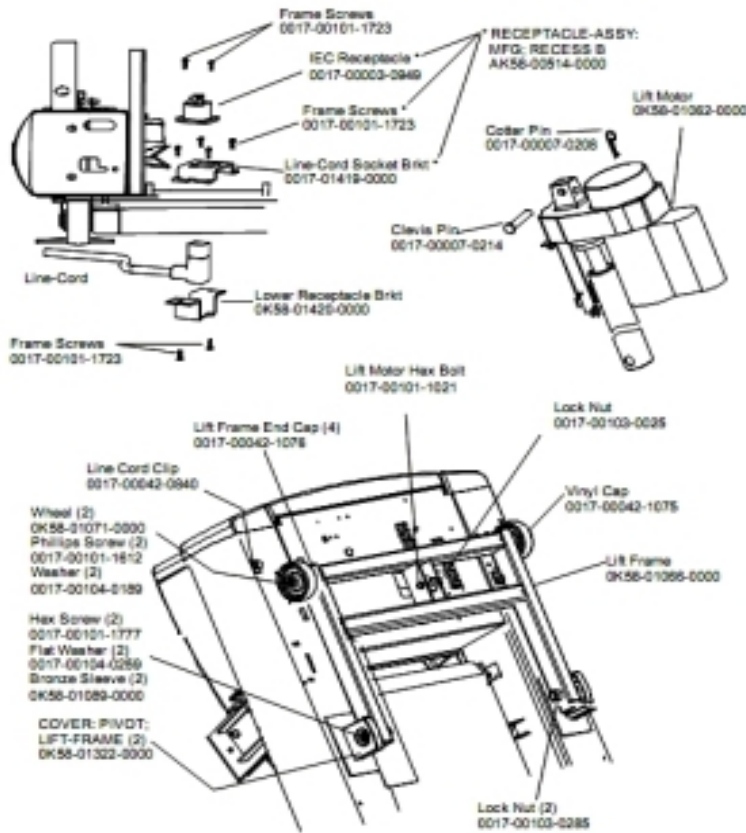
| Ref # | Part Number     | Qty | Description   |
|-------|-----------------|-----|---|
| -     | OK58-01057-0001 | 1   | Drive Pulley - 1.971"                               |
| -     | AK58-00053-0002 | 1   | Idler Arm Assembly                                  |
| -     | 0017-00103-0324 | 1   | Hardware: Thin Lock Nut 3/8" ID                     |
| -     | AK58-00027-0000 | 1   | Limit Switch Cable                                  |
| -     | OK26-01731-0000 | 1   | Plastic Idler 2 5/8" OD                             |
| -     | OK26-02055-0000 | 1   | Spring Damper                                       |
| -     | 0017-00032-0195 | 1   | Home Switch   |
| -     | 0017-00042-1072 | 1   | Hardware: Wire Clamp - 5/8"                         |
| -     | 0017-00007-0248 | 1   | Hardware: Locking Pin .31" D 2.125" L               |
| -     | 0017-00042-0326 | 1   | Hardware: Plastic Grommet                           |
| -     | 0017-00101-1193 | 3   | Hardware: Screw 0.375"                              |
| -     | OK58-01114-0000 | 1   | Poly-V Drive Belt - 370J12                          |
| -     | OK58-01084-0002 | 1   | Threaded Shaft                                      |
| -     | OK58-01085-0000 | 1   | Extension Spring                                    |
| -     | OK58-01263-0001 | 1   | Tinsel Bracket                                      |
| -     | 0017-00101-0333 | 1   | Hardware: Screw 0.3125"                             |
| -     | 0017-00042-1053 | 1   | Plug (For units not equipped with circuit breaker.) |

## Leg Leveler Assembly



| Ref # | Part Number     | Qty | Description                        |
|-------|-----------------|-----|------------------------------------|
| -     | 0017-00104-0190 | 4   | Hardware: Flat Washer 0.734" OD    |
| -     | 0K58-01110-0000 | 1   | Leveler Foot                       |
| -     | 0017-00101-1652 | 4   | Hardware: Spring Mounting Screw 1" |
| -     | 0017-00104-0333 | 4   | Hardware: Washer 0.683" OD         |
| -     | 0K58-01083-0000 | 1   | Leveler Bracket                    |
| -     | 0K58-01098-0000 | 1   | Hardware: Pivot Pin                |
| -     | 0K58-01099-0000 | 1   | Hardware: Stop Nut                 |
| -     | AK58-00370-0000 | 1   | Leveler Assembly                   |

## Lift Frame, Lift Motor, And IEC Receptacle



| Ref # | Part Number     | Qty | Description                              |
|-------|-----------------|-----|--|
| -     | 0017-00042-1076 | 4   | Lift Frame End Cap                       |
| -     | 0017-00103-0285 | 2   | Hardware: Nut 5/8" ID                    |
| -     | AK58-00220-0000 | 1   | LIFT-FRAME ASSY: MFG. C                  |
| -     | 0K58-01062-0000 | 1   | Lift Motor - 120/60                      |
| -     | 0K58-01420-0000 | 1   | Lower Receptacle Bracket                 |
| -     | 0K58-01089-0000 | 2   | Bronze Sleeve Bushings                   |
| -     | 0017-00042-0840 | 1   | Hardware: Push Mount Clip                |
| -     | 0K58-01071-0000 | 2   | Wheel                                    |
| -     | 0017-00101-1612 | 2   | Hardware: Phillips Screw 0.5"            |
| -     | 0017-00007-0214 | 1   | Hardware: Clevis Pin 3/8" D 1.75" L      |
| -     | 0017-00042-1075 | 1   | Vinyl Cap                                |
| -     | 0017-00104-0259 | 2   | Hardware: Washer 1.331" OD               |
| -     | 0017-00103-0025 | 1   | Hardware: Locking Nut 3/8" ID            |
| -     | 0017-00101-1021 | 1   | Hardware: Lift Motor Hex Bolt 2.5"       |
| -     | 0K58-01322-0000 | 2   | Lift Frame Pivot Cover                   |
| -     | 0017-00101-1723 | 8   | Hardware: Phillips Pan Screw 0.375"      |
| -     | AK58-00514-0000 | 1   | Receptacle Assembly                      |
| -     | 0017-00007-0208 | 1   | Hardware: Cotter Pin                     |
| -     | 0017-00101-1777 | 2   | Hardware: Lift Frame Mounting Bolt 2.75" |
| -     | 0017-00104-0189 | 2   | Hardware: Flat Washer 1" OD              |
| -     | 0K58-01419-0000 | 1   | Line Cord Socket Bracket                 |

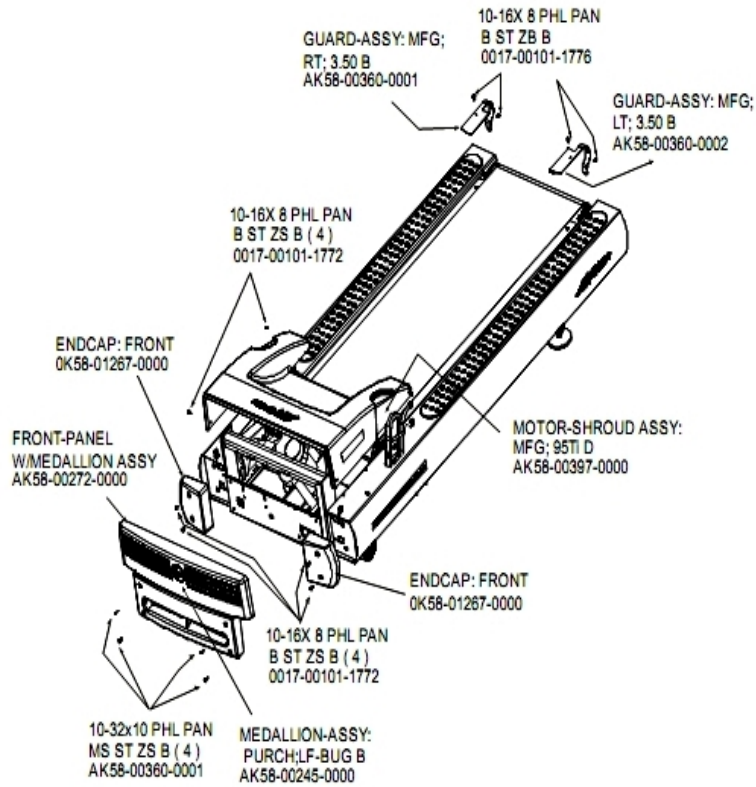
| <b>Ref #</b> | <b>Part Number</b> | <b>Qty</b> | <b>Description</b> |
|--------------|--------------------|------------|--------------------|
| -            | 0017-00003-0949    | 1          | IEC Receptacle     |

## Line Cords And Line Cord Options

---

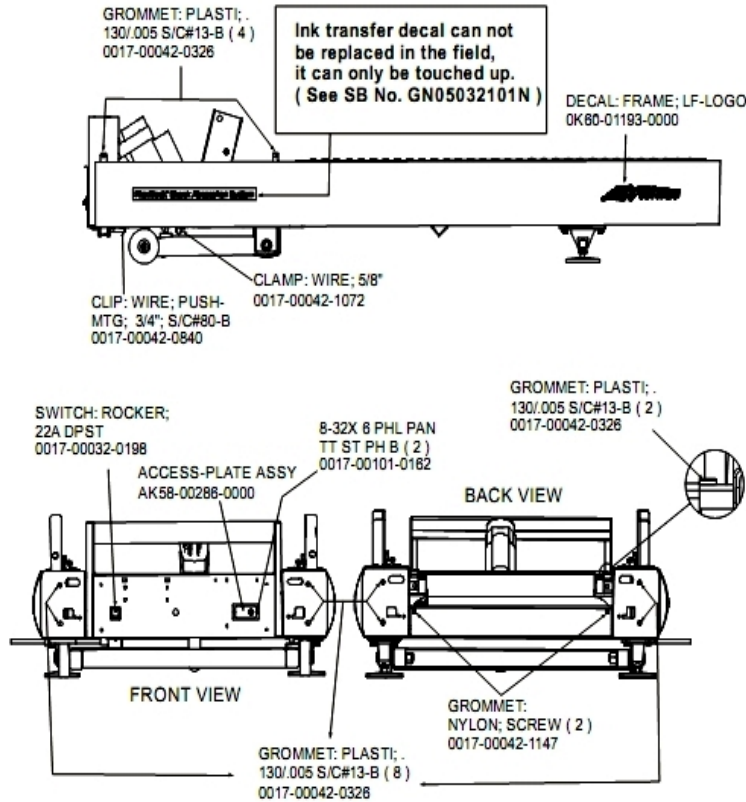
| Ref # | Part Number     | Qty | Description                    |
|-------|-----------------|-----|--------------------------------|
| -     | 0017-00003-0947 | 1   | Line Cord: 120V; 20A; 12'      |
| -     | 0017-00003-0781 | 1   | Line Cord: US High Voltage     |
| -     | 0017-00003-0915 | 1   | Line Cord RT Angle Plug        |
| -     | 0017-00003-0980 | 1   | Line Cord: US Low Voltage 144" |

## Motor Cover, Front Cover And Front End Caps



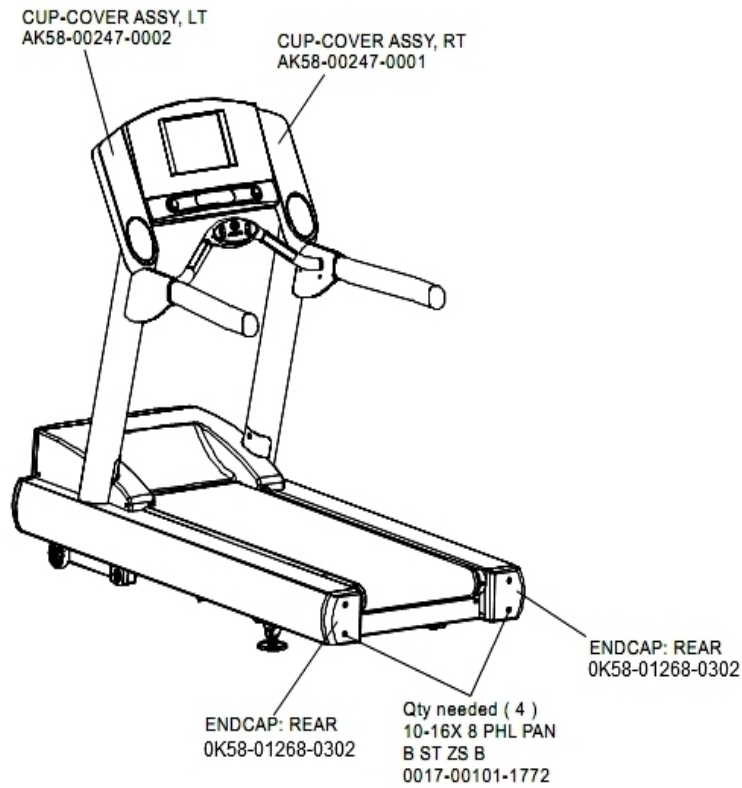
| Ref # | Part Number     | Qty | Description                       |
|-------|-----------------|-----|-----------------------------------|
| -     | AK58-00360-0001 | 5   | Rear Roller Guard: Right          |
| -     | AK58-00397-0000 | 1   | Motor Shroud                      |
| -     | 0017-00101-1772 | 8   | Hardware: Phillips Pan Screw 0.5" |
| -     | 0017-00101-1776 | 1   | Hardware: Mounting Screw 0.5"     |
| -     | AK58-00360-0002 | 1   | Rear Roller Guard: Left           |
| -     | OK58-01267-0000 | 2   | End Cap                           |
| -     | AK58-00272-0000 | 1   | Front Panel with Medallion        |
| -     | AK58-00245-0000 | 1   | Bug Medallion                     |

## On-Off Switch, Access Plate And Grommets



| Ref # | Part Number     | Qty | Description                 |
|-------|-----------------|-----|-----------------------------|
| -     | 0017-00101-0162 | 2   | Hardware: Screw 0.375"      |
| -     | AK58-00286-0000 | 1   | Access Plate                |
| -     | 0017-00042-0840 | 1   | Hardware: Push Mount Clip   |
| -     | 0K60-01193-0000 | 2   | Decal: LF Logo              |
| -     | 0017-00032-0198 | 1   | On/Off Switch 22A           |
| -     | 0017-00042-0326 | 14  | Hardware: Plastic Grommet   |
| -     | 0017-00042-1147 | 2   | Hardware: Nylon Grommet     |
| -     | 0017-00042-1072 | 1   | Hardware: Wire Clamp - 5/8" |

## Rear End Caps And Cup Holders



| Ref # | Part Number     | Qty | Description                       |
|-------|-----------------|-----|-----------------------------------|
| -     | 0017-00101-1772 | 4   | Hardware: Phillips Pan Screw 0.5" |
| -     | OK58-01268-0302 | 2   | ENDCAP: REAR; STEALTH D           |
| -     | AK58-00247-0001 | 1   | Cup Holder Right                  |
| -     | AK58-00247-0002 | 1   | Cup Holder Left                   |

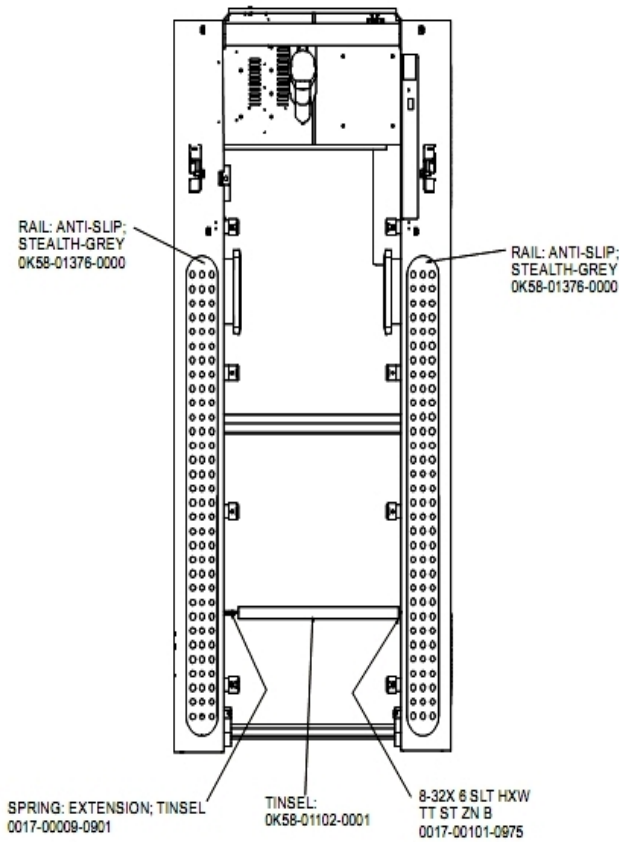
## References

---

| Ref # | Part Number     | Qty | Description                               |
|-------|-----------------|-----|---|
| -     | AK58-00226-0000 | 1   | Hardware Bag                              |
| -     | AK58-00360-0001 | 1   | Rear Roller Guard: Right                  |
| -     | 0017-00008-0204 | 1   | Paint Spray Can - Arctic Silver           |
| -     | 0017-00042-0840 | 5   | Hardware: Push Mount Clip                 |
| -     | 0017-00101-1770 | 6   | Hardware: Phillips Pan Screw 0.5"         |
| -     | 0K58-01376-0000 | 2   | Anti-Scuff Pad                            |
| -     | 0017-00101-1772 | 6   | Hardware: Phillips Pan Screw 0.5"         |
| -     | 0K58-01347-0000 | 2   | ErgoBar Gasket                            |
| -     | AK58-00360-0002 | 1   | Rear Roller Guard: Left                   |
| -     | 0017-00008-0206 | 1   | .33oz Pen - Arctic Silver                 |
| -     | 0017-00042-1147 | 2   | Hardware: Nylon Grommet                   |
| -     | 0017-00042-0326 | 4   | Hardware: Plastic Grommet                 |
| -     | 0017-00103-0327 | 4   | Hardware: Hex Nut 5/16" ID                |
| -     | 0K58-01305-0002 | 2   | Upright Plug                              |
| -     | 0017-00101-1778 | 4   | Hardware: Hex Bolt 1"                     |
| -     | 0017-00008-0211 | 1   | Paint: Shadow-Gray Touch Up: .6 OZ Bottle |
| -     | 0017-00101-1774 | 4   | Hardware: TORX Screw 2.5"                 |
| -     | 0017-00101-1780 | 8   | Hardware: Mounting Screws                 |
| -     | GK58-00002-0071 | 1   | Anti-Slip Rail                            |
| -     | 0017-00008-0210 | 1   | Paint: Shadow-Gray Touch Up: .6 OZ Bottle |
| -     | 0017-00101-1776 | 4   | Hardware: Mounting Screw 0.5"             |

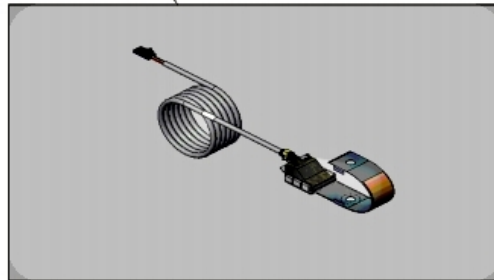
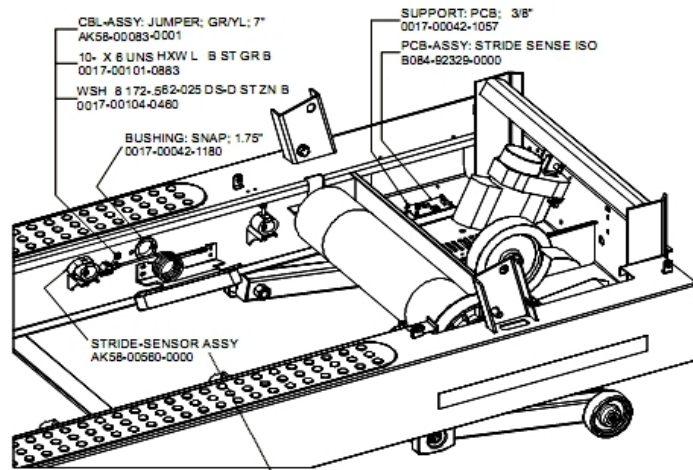
| Ref # | Part Number     | Qty | Description                          |
|-------|-----------------|-----|--------------------------------------|
| -     | 0017-00101-1773 | 6   | Hardware: TORX Screw 0.5"            |
| -     | 0017-00009-1049 | 1   | Torx Wrench                          |
| -     | 0017-00104-0325 | 4   | Hardware: Washer 0.873" OD           |
| -     | 0017-00008-0205 | 1   | 5 oz Bottle - Arctic Silver          |
| -     | M051-00K58-B128 | 1   | Service Instructions - Roller Guards |

## Scuff Pad And Tinsel



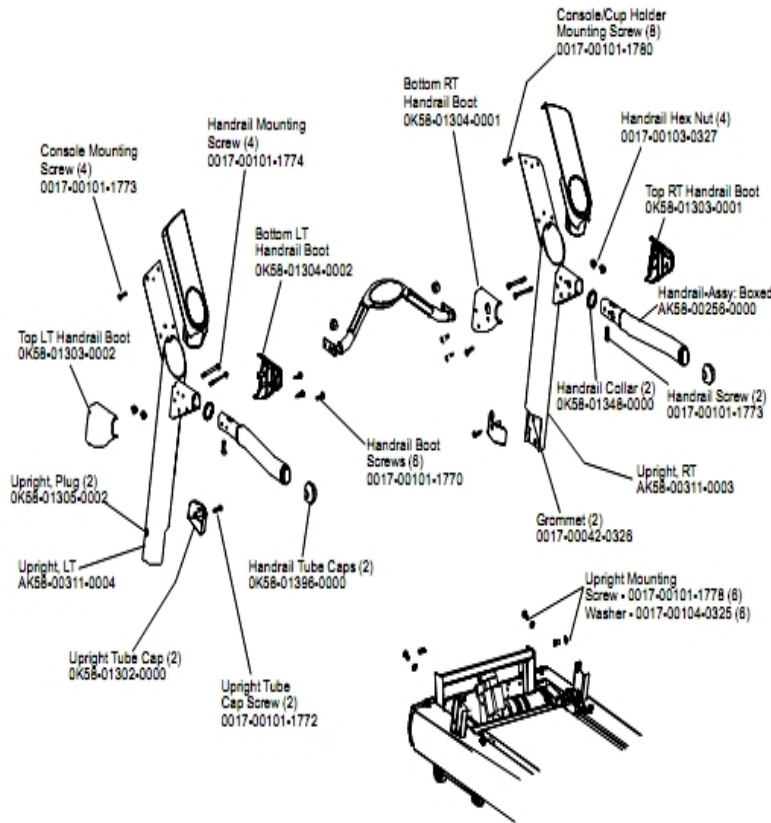
| Ref # | Part Number     | Qty | Description                    |
|-------|-----------------|-----|--------------------------------|
| -     | 0017-00101-0975 | 1   | Hardware: Mounting Bolt 0.375" |
| -     | OK58-01102-0001 | 1   | Anti-Static Tinsel             |
| -     | 0017-00009-0901 | 1   | Tinsel Extension Spring        |
| -     | OK58-01376-0000 | 3   | Anti-Scuff Pad                 |

## Stride Sensor And Stride Sensor Pcb



| Ref # | Part Number     | Qty | Description                              |
|-------|-----------------|-----|--|
| -     | 0017-00042-1057 | 1   | Support: Printed Circuit Board; 3/8"     |
| -     | 0K58-01256-0001 | 2   | Insulating Pad                           |
| -     | 0017-00101-0883 | 1   | Hardware: Screw 0.375"                   |
| -     | AK58-00560-0000 | 1   | Stride Sensor Assembly                   |
| -     | 0017-00042-1180 | 1   | Hardware: Snap Bushing - 1.75"           |
| -     | 0017-00104-0460 | 1   | Hardware: Lockwasher 0.562" OD           |
| -     | AK58-00083-0001 | 1   | Jumper Cable Assembly: Green/Yellow - 7" |
| -     | B084-92329-0000 | 1   | PCB-ASSY: STRIDE SENSE ISO               |

## Uprights And Handrails



| Ref # | Part Number     | Qty | Description                       |
|-------|-----------------|-----|-----------------------------------|
| -     | 0017-00101-1773 | 6   | Hardware: TORX Screw 0.5"         |
| -     | 0017-00104-0325 | 6   | Hardware: Washer 0.873" OD        |
| -     | OK58-01396-0000 | 2   | Endcap                            |
| -     | OK58-01303-0002 | 1   | Top Left Handrail Boot            |
| -     | OK58-01304-0001 | 1   | Bottom Right Handrail Boot        |
| -     | OK58-01304-0002 | 1   | Bottom Left Handrail Boot         |
| -     | 0017-00101-1772 | 2   | Hardware: Phillips Pan Screw 0.5" |
| -     | OK58-01303-0001 | 1   | Top Right Handrail Boot           |
| -     | 0017-00042-0326 | 2   | Hardware: Plastic Grommet         |
| -     | 0017-00103-0327 | 4   | Hardware: Hex Nut 5/16" ID        |
| -     | OK58-01302-0103 | 2   | Cap: Upright Tube; Arctic Silver  |
| -     | OK58-01305-0002 | 2   | Upright Plug                      |
| -     | AK58-00256-0001 | 1   | Handrail                          |
| -     | AK58-00311-0004 | 1   | Upright: Left                     |
| -     | 0017-00101-1778 | 6   | Hardware: Hex Bolt 1"             |
| -     | 0017-00101-1774 | 4   | Hardware: TORX Screw 2.5"         |
| -     | 0017-00101-1780 | 8   | Hardware: Mounting Screws         |
| -     | AK58-00311-0003 | 1   | Upright: Right                    |
| -     | OK58-01348-0000 | 2   | Handrail Collar                   |
| -     | 0017-00101-1770 | 6   | Hardware: Phillips Pan Screw 0.5" |

