

95Te Treadmill w/Integrated LCD screen

95TE-0706-01

Parts Manual

1/5/2019 11:03:23 AM

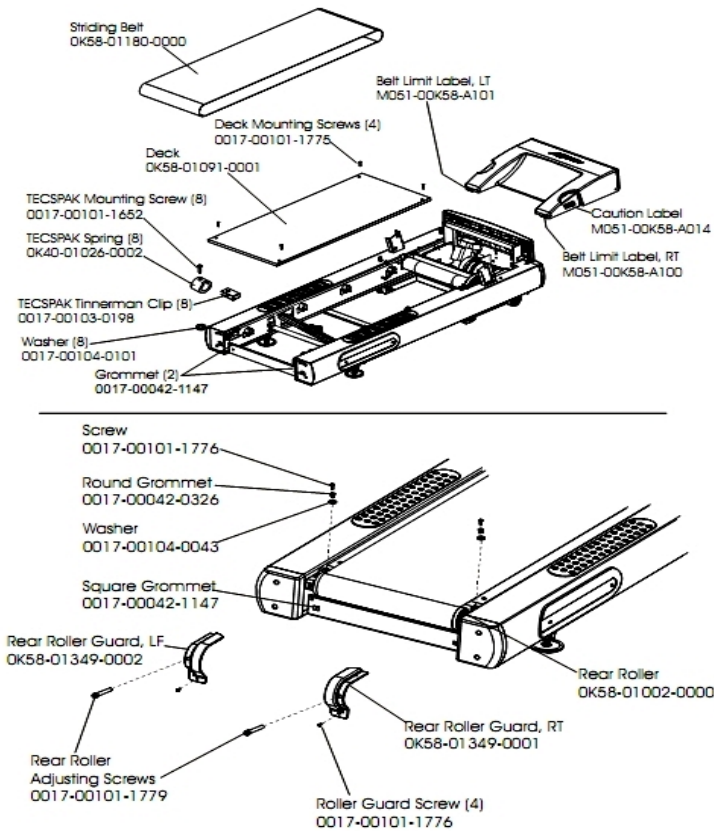


LifeFitness
WHAT WE LIVE FOR

Table of Contents

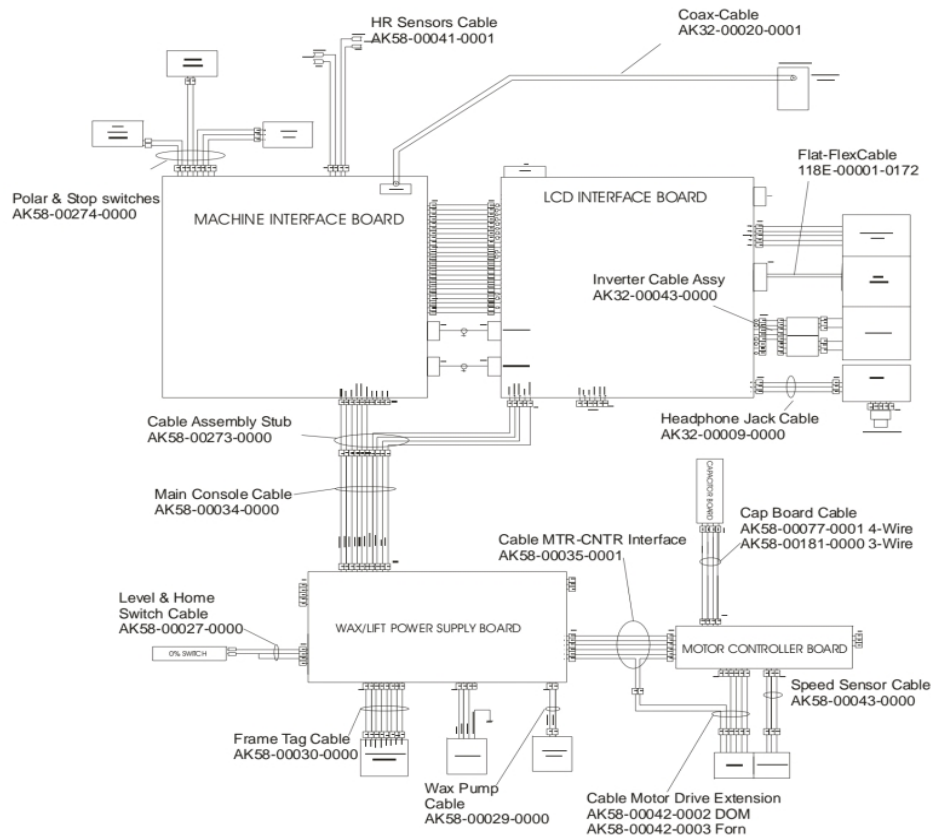
Belt, Deck, And Rear Roller.....	3
Cables.....	4
Console Assembly.....	5
Console Components.....	6
Covers, End Caps, And Hardware.....	8
Drive Motor Assembly.....	9
Ergo Bar WithLifepulse.....	10
Frame Assembly.....	11
Front Roller Assembly.....	12
Handrail Assembly.....	13
Idler Arm Assembly And Static Brush.....	14
Leveler Assembly.....	15
Lift Motor And Frame.....	16
Miscellaneous.....	17
Motor Controller Assembly.....	18
Power Components.....	19
Wax Components.....	20
Wax/Lift Assembly.....	21

Belt, Deck, And Rear Roller



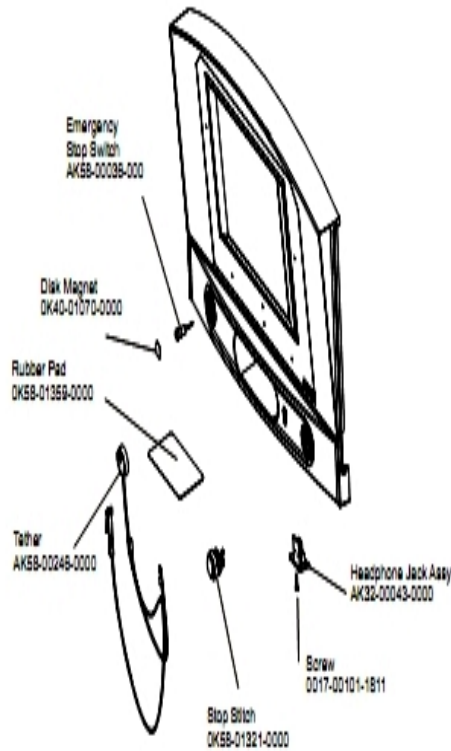
Ref #	Part Number	Qty	Description
-	0017-00101-1775	4	Hardware: Deck Screws 1.25"
-	M051-00K58-A101	1	Belt Limit Label. Left
-	OK58-01349-0001	1	Rear Roller Guard Right
-	0017-00103-0198	8	Hardware: Tinnerman Clip 1/4" ID
-	OK58-01180-0000	1	Striding Belt
-	M051-00K58-A100	1	Label: Belt Limit: Right
-	0017-00101-1779	1	Hardware: Rear Roller Adjusting Bolt
-	0017-00042-0326	2	Hardware: Plastic Grommet
-	0017-00042-1147	4	Hardware: Nylon Grommet
-	0017-00101-1652	8	Hardware: Spring Mounting Screw 1"
-	OK58-01349-0002	1	Rear Roller Guard Left
-	0017-00104-0043	2	Hardware: Flat Washer 0.734" OD
-	0017-00104-0101	8	Hardware: Flat Washer 0.437" OD
-	OK58-01002-0000	1	Rear Roller - 3.5"
-	OK58-01091-0001	1	Deck
-	M051-00K58-A014	1	Label: Caution
-	0017-00101-1776	6	Hardware: Mounting Screw 0.5"
-	OK40-01026-0002	8	Deck Spring

Cables



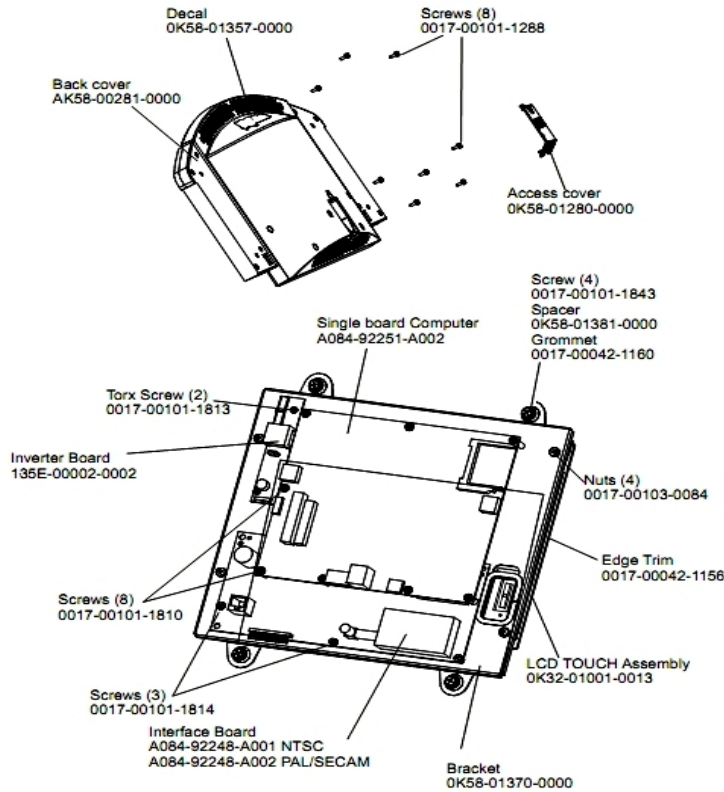
Ref #	Part Number	Qty	Description
-	AK58-00043-0000	1	Speed Sensor Cable
-	AK58-00027-0000	1	Limit Switch Cable
-	AK58-00042-0003	1	Cable Motor Drive Extension INT
-	AK58-00181-0000	1	Cap Board Cable 3-Wire
-	AK32-00020-0001	1	Coax Cable: 90"
-	AK58-00030-0000	1	Frame Tag Cable
-	AK58-00077-0001	1	Cap Board Cable - Domestic
-	118E-00001-0178	1	Flat Flex Cable
-	AK58-00035-0001	1	Motor Controller Interface Cable
-	AK58-00029-0000	1	Wax Pump Cable
-	AK32-00043-0000	1	Headphone Jack
-	AK32-00009-0000	1	Headphone Jack Cable
-	AK58-00034-0000	1	Console Cable
-	AK58-00041-0001	1	Heart Rate Sensor Cable
-	AK58-00274-0000	1	Polar and Stop Switches
-	AK58-00273-0001	1	Power Cable

Console Assembly



Ref #	Part Number	Qty	Description
-	OK58-01359-0000	1	Rubber Pad
-	OK58-01321-0000	1	Stop Switch
-	0017-00101-1811	1	Hardware: Phillips Pan Screw 0.625"
-	AK32-00043-0000	1	Headphone Jack
-	AK58-00516-0006	1	Bezel Switch with Overlay: Japanese
-	AK58-00322-0000	1	Tether Stop Assembly
-	AK58-00036-0000	1	Cable-Assembly: Emergency-Stop Switch
-	OK40-01070-0000	1	Magnetic Disk
-	GK58-00002-0101	1	Console with FM Japanese/ NTSC

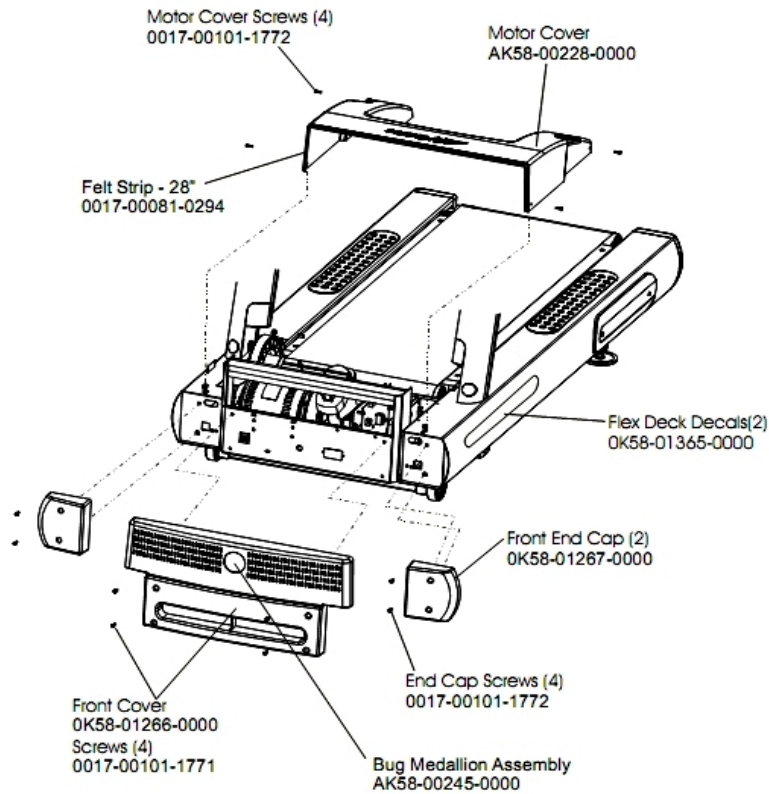
Console Components



Ref #	Part Number	Qty	Description
-	A084-92248-A007	1	Interface Boards NTSC
-	A084-92248-A007	1	Interface Boards NTSC
-	OK58-01370-0000	1	Bracket
-	0017-00042-1156	1	Edge Trim
-	A084-92251-A002	1	Single Board Computer
-	GK32-00002-0004	1	Inverter Board
-	OK58-01381-0000	1	Shoulder Bushing
-	OK58-01357-0000	1	Decal
-	0017-00101-1814	3	Hardware: Screw
-	0017-00101-1813	2	Hardware: Inverter Board Screw
-	OK32-01001-0013	1	LCD Touchscreen Assembly
-	OK32-01001-0013	1	LCD Touchscreen Assembly
-	OK32-01001-0013	1	LCD Touchscreen Assembly
-	OK32-01001-0013	1	LCD Touchscreen Assembly
-	OK58-01280-0000	1	Accessory Cover
-	AK58-00281-0000	1	Console Back Cover
-	A084-92248-A007	1	Interface Boards NTSC
-	A084-92248-A007	1	Interface Boards NTSC
-	0017-00101-1843	4	Hardware: Screw
-	0017-00042-1160	1	Grommet
-	0017-00101-1810	8	Hardware: Screw
-	0017-00103-0084	4	Hardware: Nut

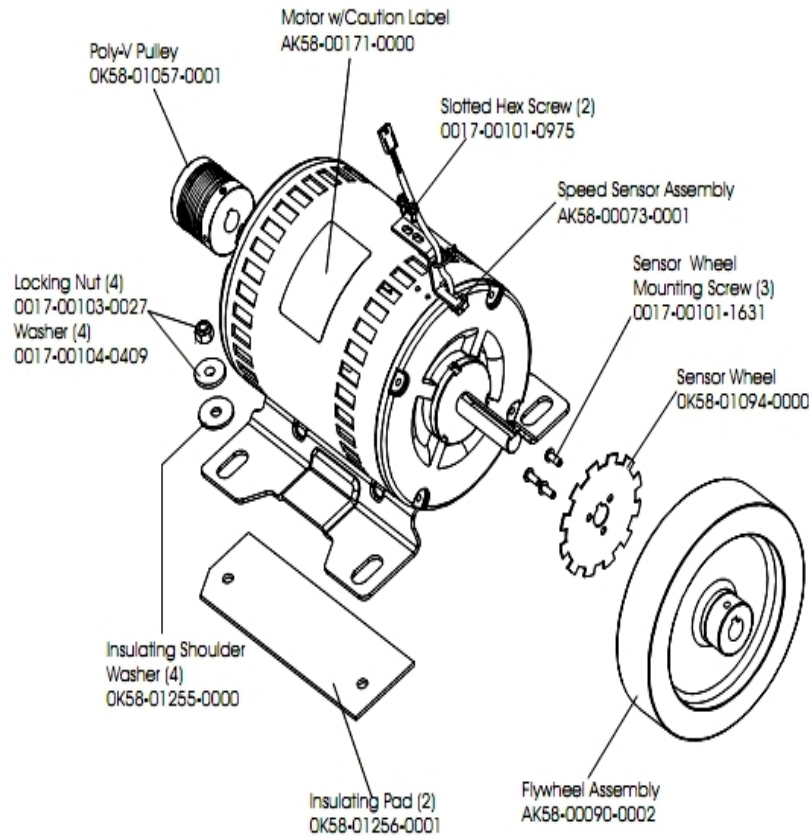
Ref #	Part Number	Qty	Description
-	0017-00101-1288	8	Hardware: Phillips Screw 0.5"

Covers, End Caps, And Hardware



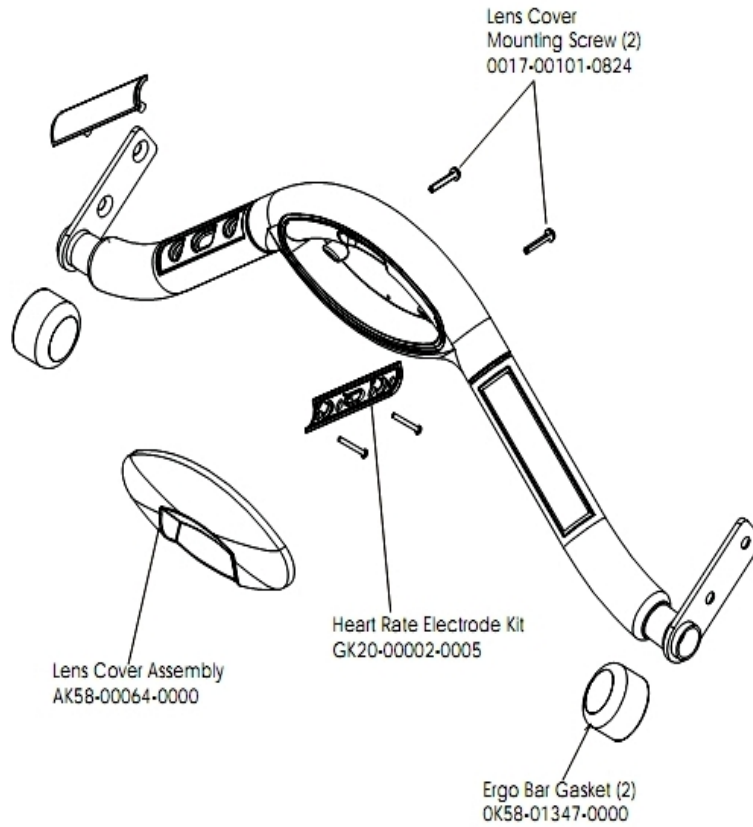
Ref #	Part Number	Qty	Description
-	0K58-01267-0000	2	End Cap
-	0017-00101-1772	8	Hardware: Phillips Pan Screw 0.5"
-	0K58-01266-0000	1	Front Cover
-	0K58-01365-0000	2	Decal
-	AK58-00245-0000	1	Bug Medallion
-	0017-00101-1771	4	Hardware: Phillips Pan Screw
-	0017-00081-0294	1	Felt Strip - 28"
-	AK58-00228-0000	1	Motor Cover

Drive Motor Assembly



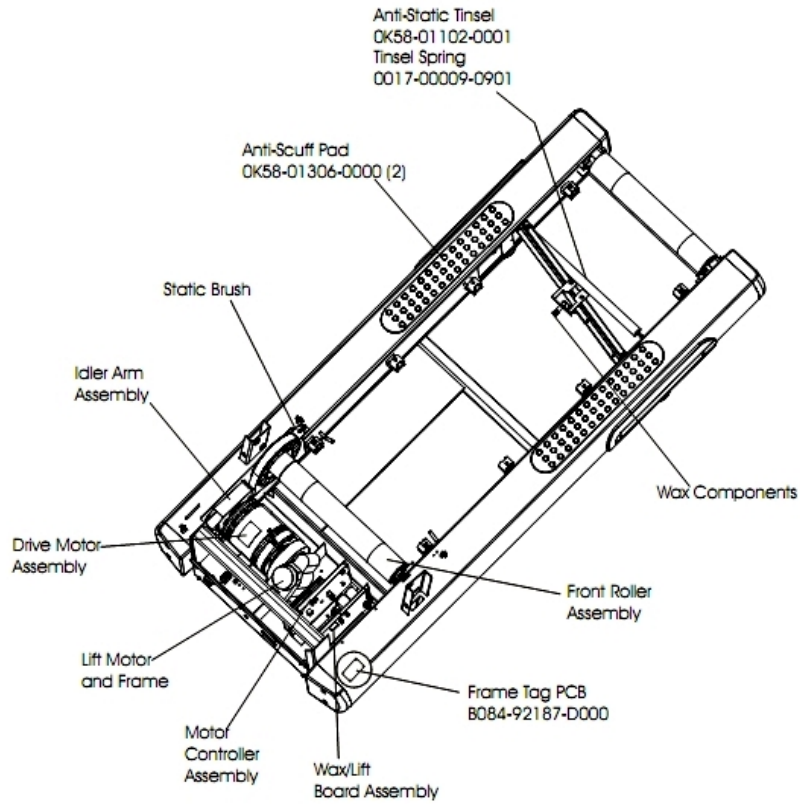
Ref #	Part Number	Qty	Description
-	0017-00101-0975	2	Hardware: Mounting Bolt 0.375"
-	0017-00103-0027	4	Hardware: Locking Nut. 5/16" ID
-	OK58-01057-0001	1	Drive Pulley - 1.971"
-	AK58-00171-0000	1	Motor with Caution Label
-	OK58-01255-0000	4	Hardware: Insulating Washers
-	0017-00104-0409	4	Hardware: Washer 1.125" OD
-	OK58-01094-0000	1	Sensor Wheel
-	AK58-00090-0002	1	Flywheel Assembly
-	OK58-01256-0001	2	Insulating Pad
-	0017-00101-1631	3	Hardware: Sensor Wheel Mounting Screw
-	AK58-00073-0001	1	Speed Sensor Assembly

Ergo Bar WithLifepulse



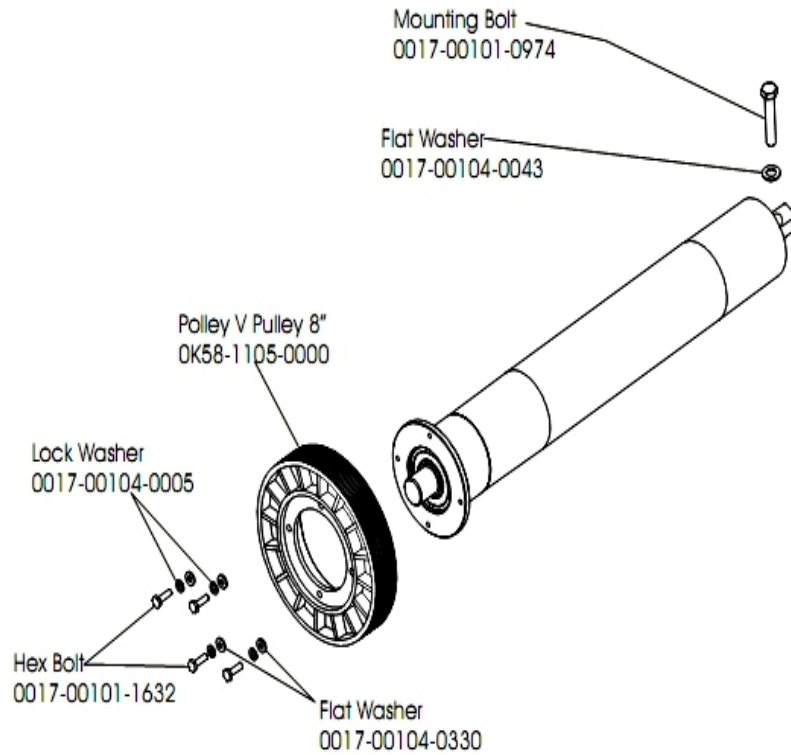
Ref #	Part Number	Qty	Description
-	AK58-00064-0000	1	I/R Lens Cover Assembly
-	0017-00101-0824	2	Hardware: Screw 1.125"
-	0K58-01347-0000	2	ErgoBar Gasket
-	GK20-00002-0005	2	Heart Rate Electrode Kit

Frame Assembly



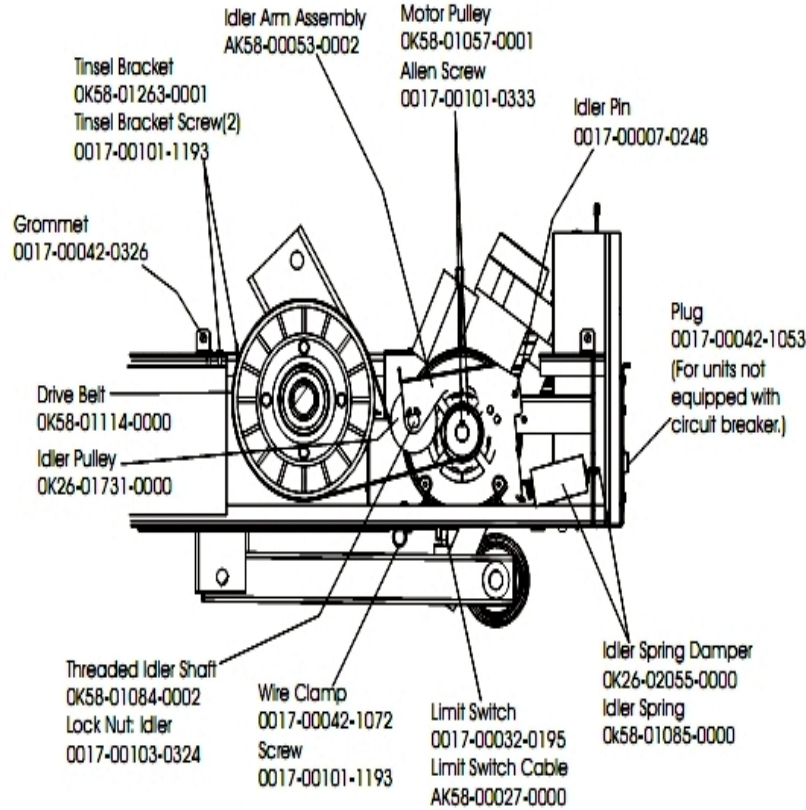
Ref #	Part Number	Qty	Description
-	0017-00009-0901	1	Tinsel Extension Spring
-	OK58-01376-0000	2	Anti-Scuff Pad
-	OK58-01102-0001	1	Anti-Static Tinsel
-	B084-92187-D000	1	Frame Tag PCB

Front Roller Assembly



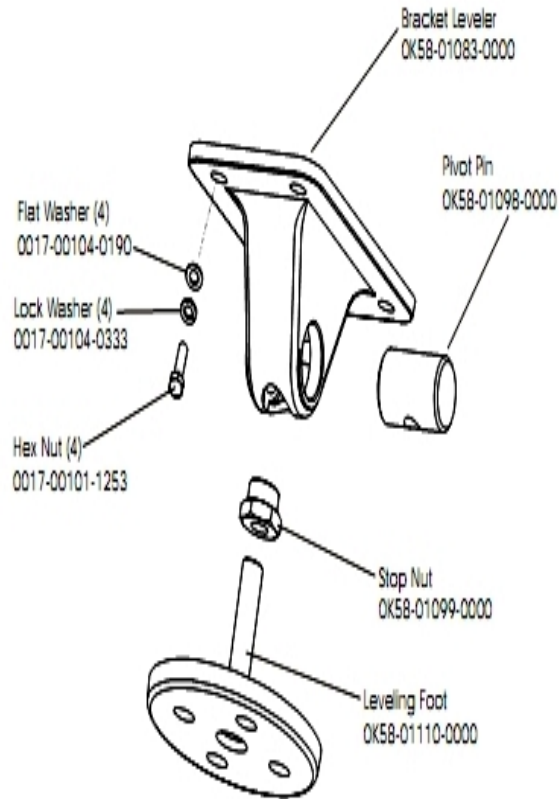
Ref #	Part Number	Qty	Description
-	0017-00104-0330	2	Hardware: Flat Washers 0.562" OD
-	AK58-00066-0000	1	Front Roller Assembly
-	0017-00104-0005	2	Hardware: Lock Washer 0.489" OD
-	0017-00104-0043	1	Hardware: Flat Washer 0.734" OD
-	0017-00101-1632	2	Hardware: Hex Bolt 0.875"
-	0017-00101-0974	1	Hardware: Mounting Bolt 2"
-	OK58-01105-0000	1	Drive Pulley Poly V - 8"

Idler Arm Assembly And Static Brush



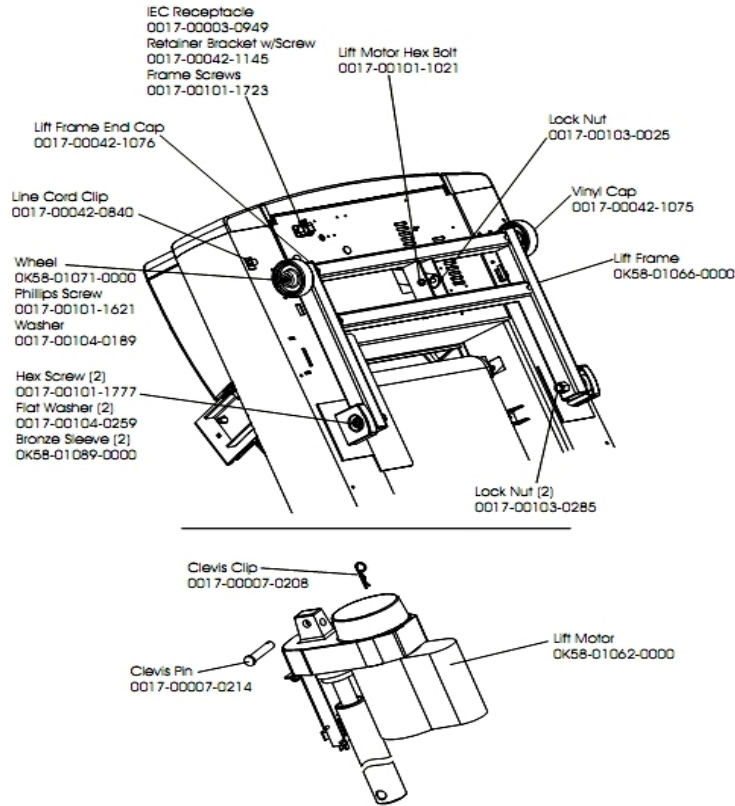
Ref #	Part Number	Qty	Description
-	OK58-01057-0001	1	Drive Pulley - 1.971"
-	OK58-01263-0001	1	Tinsel Bracket
-	0017-00103-0324	1	Hardware: Thin Lock Nut 3/8" ID
-	AK58-00027-0000	1	Limit Switch Cable
-	OK26-01731-0000	1	Plastic Idler 2 5/8" OD
-	OK26-02055-0000	1	Spring Damper
-	0017-00032-0195	1	Home Switch
-	0017-00042-1072	1	Hardware: Wire Clamp - 5/8"
-	0017-00007-0248	1	Hardware: Locking Pin .31" D 2.125" L
-	0017-00042-0326	1	Hardware: Plastic Grommet
-	0017-00101-1193	3	Hardware: Screw 0.375"
-	OK58-01114-0000	1	Poly-V Drive Belt - 370J12
-	OK58-01084-0002	1	Threaded Shaft
-	0017-00101-0333	1	Hardware: Screw 0.3125"
-	AK58-00053-0002	1	Idler Arm Assembly
-	OK58-01085-0000	1	Extension Spring
-	0017-00042-1053	1	Plug (For units not equipped with circuit breaker.)

Leveler Assembly



Ref #	Part Number	Qty	Description
-	OK58-01098-0000	1	Hardware: Pivot Pin
-	OK58-01099-0000	1	Hardware: Stop Nut
-	0017-00104-0190	4	Hardware: Flat Washer 0.734" OD
-	AK58-00370-0000	1	Leveler Assembly
-	OK58-01083-0000	1	Leveler Bracket
-	OK58-01110-0000	1	Leveler Foot
-	0017-00104-0333	4	Hardware: Washer 0.683" OD
-	0017-00101-1253	4	Hardware: Screw

Lift Motor And Frame

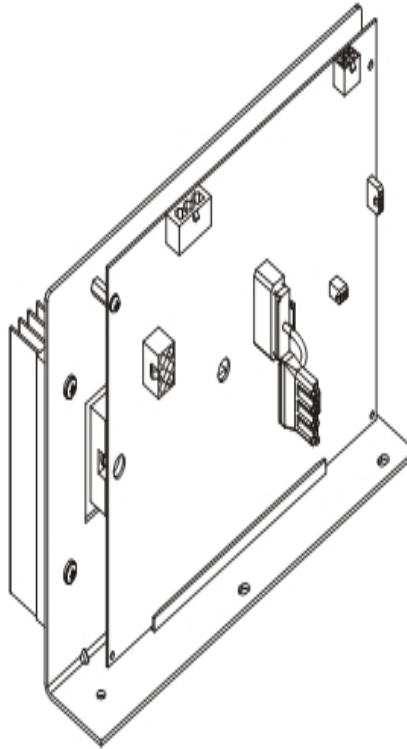


Ref #	Part Number	Qty	Description
-	0017-00103-0285	2	Hardware: Nut 5/8" ID
-	0017-00007-0208	1	Hardware: Cotter Pin
-	0017-00101-1621	2	Hardware: Phillips Screw 0.5"
-	0017-00101-1777	2	Hardware: Lift Frame Mounting Bolt 2.75"
-	0017-00104-0189	2	Hardware: Flat Washer 1" OD
-	0017-00101-1723	2	Hardware: Phillips Pan Screw 0.375"
-	0017-00101-1021	1	Hardware: Lift Motor Hex Bolt 2.5"
-	0017-00042-1145	1	Power Cord Retainer
-	0017-00103-0025	1	Hardware: Locking Nut 3/8" ID
-	0017-00104-0259	2	Hardware: Washer 1.331" OD
-	0017-00042-1076	1	Lift Frame End Cap
-	AK58-00220-0000	1	LIFT-FRAME ASSY: MFG. C
-	0K58-01062-0000	1	Lift Motor - 120/60
-	0K58-01089-0000	2	Bronze Sleeve Bushings
-	0017-00042-0840	1	Hardware: Push Mount Clip
-	0K58-01071-0000	2	Wheel
-	0017-00042-1075	1	Vinyl Cap
-	0017-00003-0949	1	IEC Receptacle
-	0017-00007-0214	1	Hardware: Clevis Pin 3/8" D 1.75" L

Miscellaneous

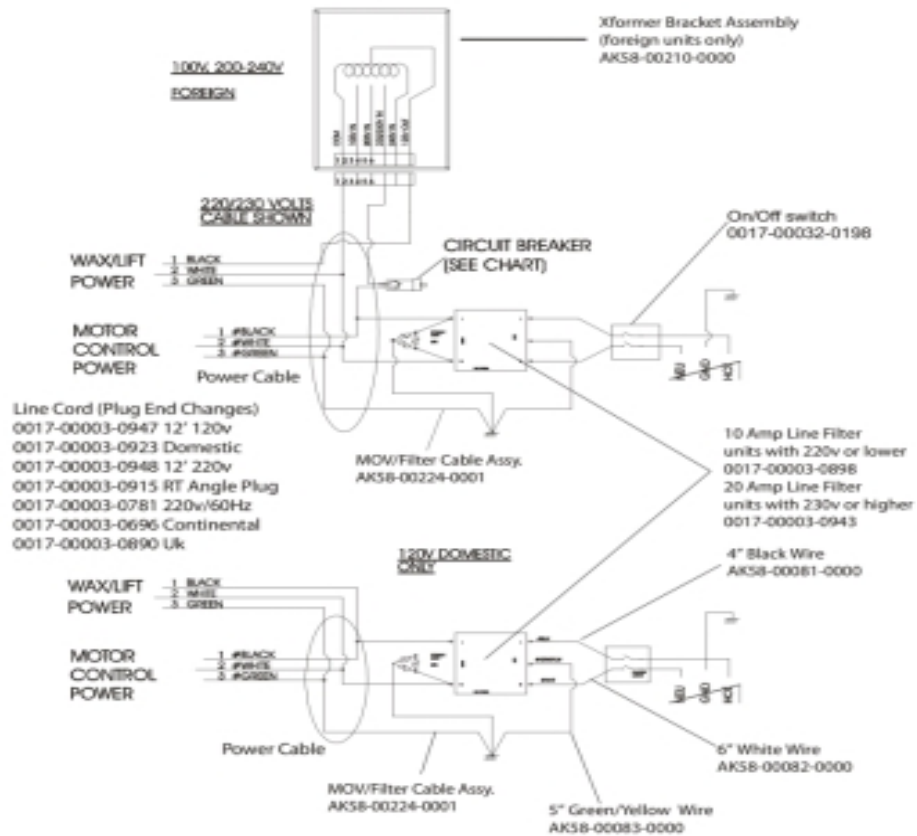
Ref #	Part Number	Qty	Description
-	0017-00008-0197	1	Paint: Silver Bullet; 4.5OZ. Can
-	0017-00008-0199	1	Paint: Stealth Grey; 4.5OZ. Can
-	0017-00008-0198	1	Paint: Stealth Grey; .6OZ. Bottle B
-	0017-00008-0196	1	Paint: Silver Bullet; .6OZ. Bottle

Motor Controller Assembly



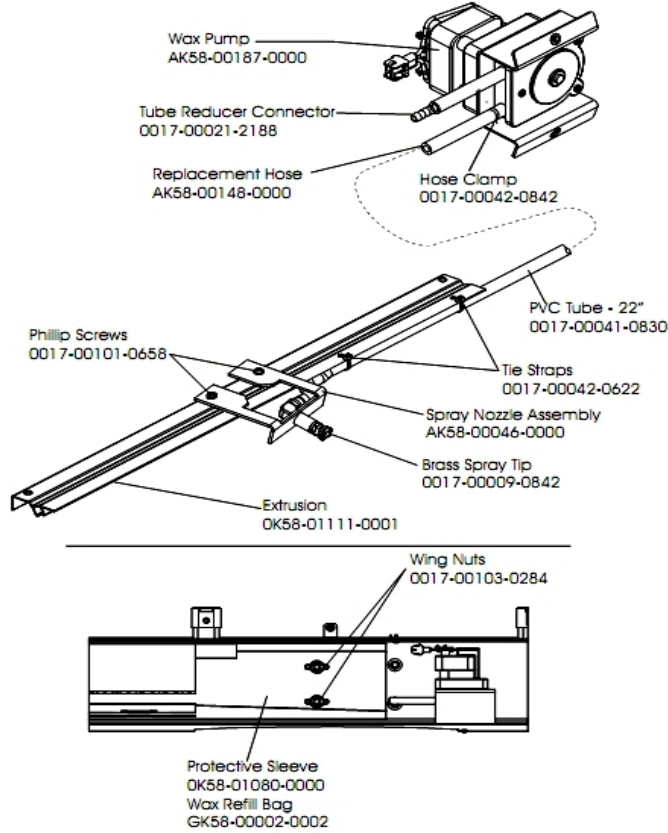
Ref #	Part Number	Qty	Description
-	GK65-00002-0019	2	Motor Controller Assembly (200-240V)

Power Components



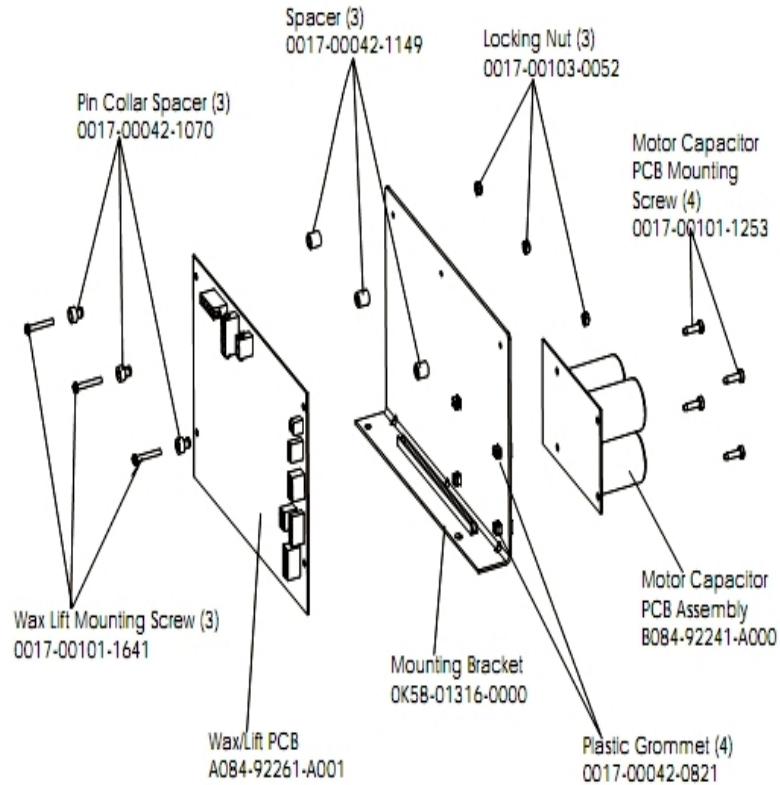
Ref #	Part Number	Qty	Description
-	0017-00032-0198	1	On/Off Switch 22A
-	AK58-00082-0000	1	Jumper Cable Assembly: White - 6"
-	0017-00003-0898	1	10 amp Line Filter (INT)
-	AK58-00083-0000	1	Cable Assembly
-	0017-00003-0915	1	Line Cord RT Angle Plug
-	AK58-00224-0001	2	Cable: MOV; Fliter
-	0017-00003-0626	1	CIRCUIT-BREAKER:2A 200-240V
-	AK58-00210-0000	1	Transformer-Bracket Assembly
-	AK58-00081-0000	1	Jumper Cable Assembly: Black - 4"
-	AK58-00302-0003	1	Power Cable: 220/230V
-	0017-00003-0974	1	Line Cord: 120V: 8'
-	0017-00003-0948	1	12' 220v Line Cord
-	0017-00003-0943	1	10 Amp Line Filter 230v or higher

Wax Components



Ref #	Part Number	Qty	Description
-	AK58-00187-0000	1	Wax Pump
-	OK58-01080-0000	1	Protective Sleeve
-	0017-00042-0842	1	Hose Clamp
-	0017-00101-0658	1	Hardware: Access Panel Screws
-	0017-00009-0842	1	Brass Spray Tip
-	0017-00041-0830	1	TUBING: PVC; REINFORCED B
-	0017-00103-0284	1	Hardware: Wing Nut
-	0017-00021-2188	1	Tube Reducer Connector
-	0017-00042-0622	1	Cable Tie
-	AK58-00148-0000	1	Replacement Hose
-	AK58-00046-0000	1	Spray Nozzle Assembly
-	GK58-00002-0002	1	Wax Refill Bag
-	OK58-01111-0001	1	Extrusion Assembly

Wax/Lift Assembly



Ref #	Part Number	Qty	Description
-	0017-00101-1253	4	Hardware: Screw
-	0017-00101-1641	3	Hardware: Phillips Pan Screw
-	0017-00042-0821	4	Hardware: Plastic Grommet
-	B084-92241-A000	1	Motor Capacitor PCB Assembly
-	0017-00103-0052	3	Hardware: Locking Nut ID
-	0K58-01316-0000	1	Mounting Bracket
-	A084-92253-A002	1	Wax/Lift PCB
-	0017-00042-1149	3	Spacer
-	0017-00042-1070	3	Pin Collar Spacer

