

# 95Ti Treadmill - 4HP AC - Prewired - Heart Rate

95TW-0100-04

## Parts Manual

1/5/2019 11:10:34 AM



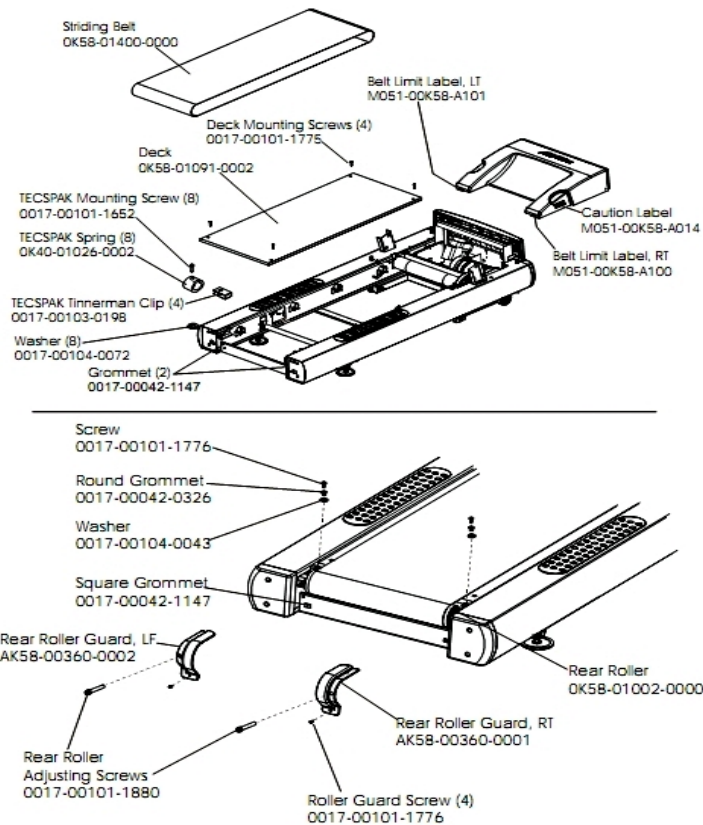
*LifeFitness*  
WHAT WE LIVE FOR

## Table of Contents

---

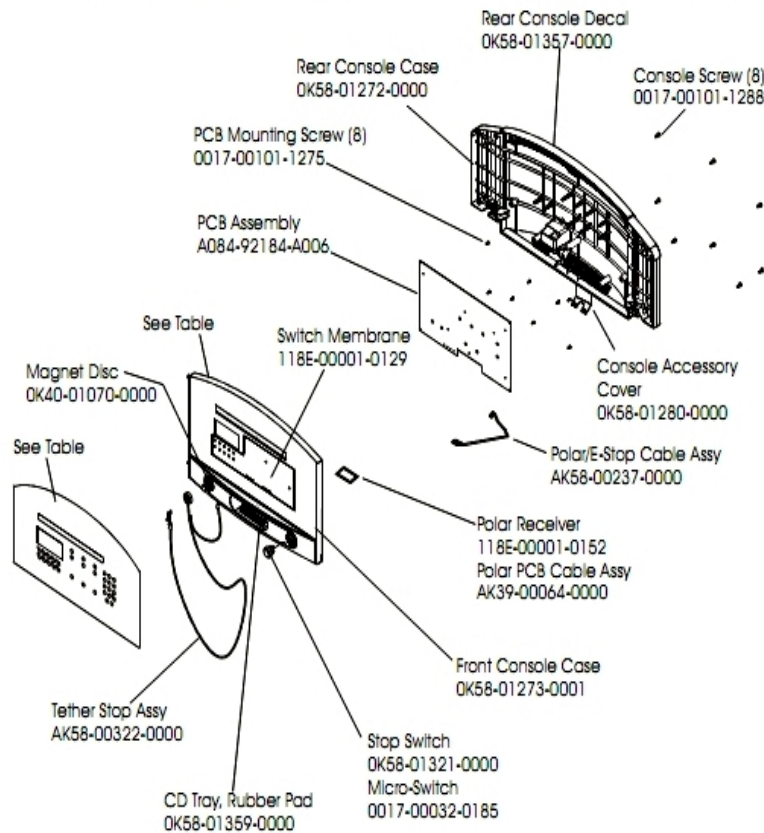
|  |                    |
|--|--------------------|
| <a href="#">Belt, Deck and Rear Rollers.....</a>                 | <a href="#">3</a>  |
| <a href="#">Console and Related Components.....</a>              | <a href="#">4</a>  |
| <a href="#">Drive Motor Assembly.....</a>                        | <a href="#">5</a>  |
| <a href="#">Ergo Bar with Lifepulse.....</a>                     | <a href="#">6</a>  |
| <a href="#">Front Roller Assembly.....</a>                       | <a href="#">7</a>  |
| <a href="#">Idler Arm and Static Brush.....</a>                  | <a href="#">8</a>  |
| <a href="#">Leveler Assembly.....</a>                            | <a href="#">9</a>  |
| <a href="#">Lift Frame and Lift Motor.....</a>                   | <a href="#">10</a> |
| <a href="#">Motor Controller Assembly.....</a>                   | <a href="#">11</a> |
| <a href="#">Motor Cover, Front Cover and Front End Caps.....</a> | <a href="#">12</a> |
| <a href="#">Power Components Schematic 1.....</a>                | <a href="#">13</a> |
| <a href="#">Power Components Schematic 2.....</a>                | <a href="#">14</a> |
| <a href="#">Rear End Caps and Cup Holders.....</a>               | <a href="#">15</a> |
| <a href="#">References.....</a>                                  | <a href="#">16</a> |
| <a href="#">Scuff Pad, Tinsel and Frame Tag Board.....</a>       | <a href="#">17</a> |
| <a href="#">Uprights, Handrails and Ergo Bar.....</a>            | <a href="#">18</a> |
| <a href="#">Wax/Lift Assembly.....</a>                           | <a href="#">20</a> |
| <a href="#">Wax/Lift Power Supply.....</a>                       | <a href="#">21</a> |

## Belt, Deck and Rear Rollers



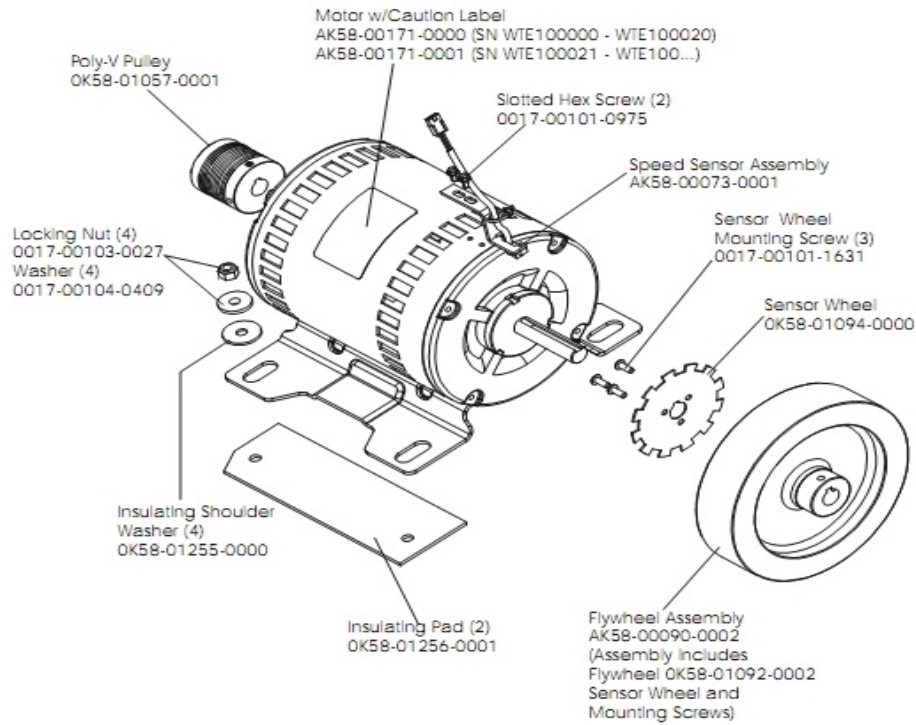
| Ref # | Part Number     | Qty | Description                        |
|-------|-----------------|-----|------------------------------------|
| -     | 0017-00103-0198 | 4   | Hardware: Tinnerman Clip 1/4" ID   |
| -     | M051-00K58-A101 | 1   | Belt Limit Label. Left             |
| -     | OK40-01026-0002 | 8   | Deck Spring                        |
| -     | OK65-01263-0000 | 1   | Deck                               |
| -     | AK58-00360-0001 | 1   | Rear Roller Guard: Right           |
| -     | 0017-00104-0072 | 8   | Hardware: Flat Washer 0.562" OD    |
| -     | M051-00K58-A100 | 1   | Label: Belt Limit: Right           |
| -     | OK58-01400-0000 | 1   | Striding Belt                      |
| -     | AK58-00360-0002 | 1   | Rear Roller Guard: Left            |
| -     | 0017-00104-0043 | 2   | Hardware: Flat Washer 0.734" OD    |
| -     | OK58-01002-0000 | 1   | Rear Roller - 3.5"                 |
| -     | M051-00K58-A014 | 1   | Label: Caution                     |
| -     | 0017-00042-0326 | 2   | Hardware: Plastic Grommet          |
| -     | 0017-00042-1147 | 3   | Hardware: Nylon Grommet            |
| -     | 0017-00101-1652 | 8   | Hardware: Spring Mounting Screw 1" |
| -     | 0017-00101-1880 | 1   | Hardware: Tension Bolts 3"         |
| -     | 0017-00101-1775 | 5   | Hardware: Mounting Screw 0.5"      |
| -     | 0017-00101-1776 | 4   | Hardware: Deck Screws 1.25"        |

## Console and Related Components



| Ref # | Part Number     | Qty | Description                             |
|-------|-----------------|-----|---|
| -     | OK58-01298-0001 | 1   | Console English/Metric                  |
| -     | OK58-01357-0000 | 1   | Decal                                   |
| -     | 118E-00001-0129 | 1   | Switch Membrane                         |
| -     | A084-92184-A006 | 1   | PCB Assembly                            |
| -     | OK58-01273-0001 | 1   | Front Console Case                      |
| -     | 118E-00001-0244 | 1   | Heart Rate Receiver                     |
| -     | AK58-00237-0000 | 1   | Cable-Assembly: Polar/E-Stop            |
| -     | AK58-00403-0001 | 1   | Console: English/Metric                 |
| -     | OK58-01359-0000 | 1   | Rubber Pad                              |
| -     | OK40-01070-0000 | 1   | Magnetic Disk                           |
| -     | 118E-00001-0259 | 1   | Wireless Receiver Module, Non-Coded     |
| -     | 0017-00032-0185 | 1   | Micro Switch 150GR                      |
| -     | OK58-01280-0000 | 1   | Accessory Cover                         |
| -     | OK58-01272-0000 | 1   | Rear Console Case                       |
| -     | AK58-00203-0001 | 1   | Overlay/Bezel Assembly English/Imperial |
| -     | AK58-00322-0000 | 1   | Tether Stop Assembly                    |
| -     | 0017-00101-1275 | 8   | Hardware: Phillips Screw 0.375"         |
| -     | 0017-00101-1288 | 8   | Hardware: Phillips Screw 0.5"           |
| -     | OK58-01321-0000 | 1   | Stop Switch                             |

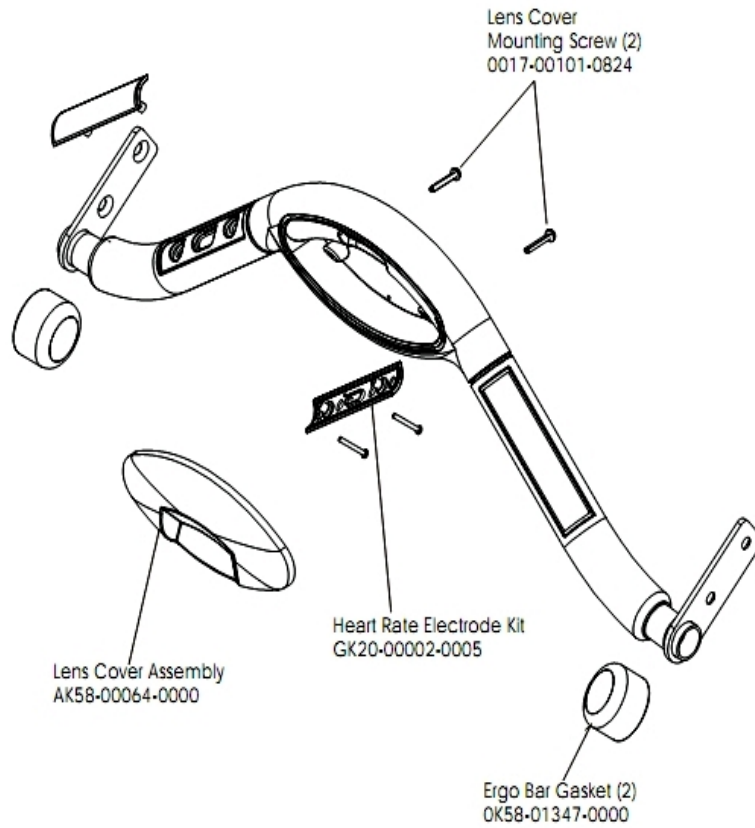
# Drive Motor Assembly



| Drive Motor Assembly Number | Motor Serial Number   |
|-----------------------------|-----------------------|
| AK58-00172-0000             | WTE100000 – WTE100020 |
| AK58-00172-0002             | WTE100021 and up      |

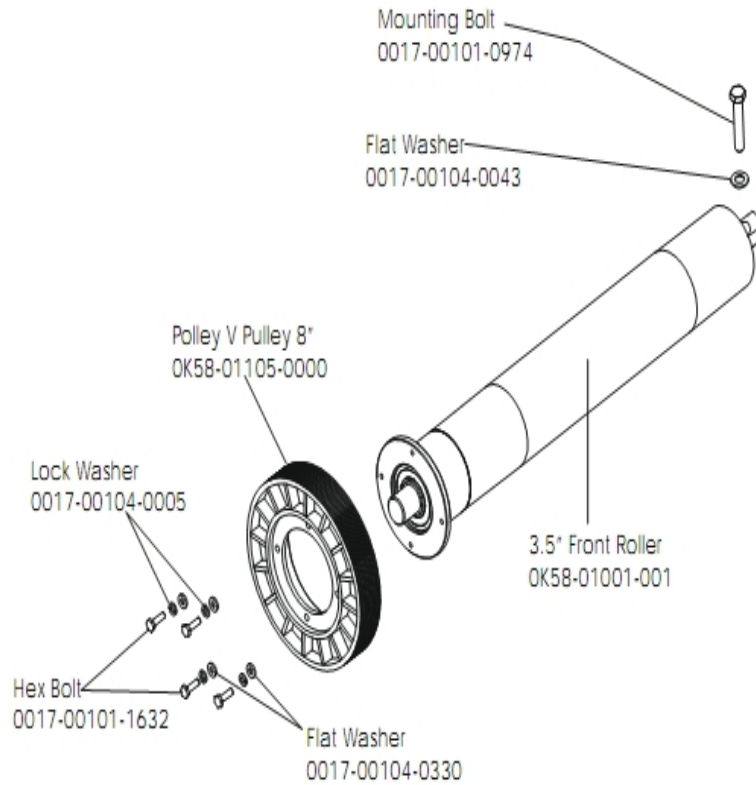
| Ref # | Part Number     | Qty | Description                           |
|-------|-----------------|-----|---------------------------------------|
| -     | AK58-00171-0001 | 2   | Drive Motor Assembly                  |
| -     | 0017-00101-0975 | 2   | Hardware: Mounting Bolt 0.375"        |
| -     | 0017-00103-0027 | 4   | Hardware: Locking Nut. 5/16" ID       |
| -     | OK58-01057-0001 | 1   | Drive Pulley - 1.971"                 |
| -     | OK58-01255-0000 | 4   | Hardware: Insulating Washers          |
| -     | OK58-01256-0001 | 2   | Insulating Pad                        |
| -     | OK58-01094-0000 | 1   | Sensor Wheel                          |
| -     | AK58-00090-0002 | 1   | Flywheel Assembly                     |
| -     | 0017-00101-1631 | 3   | Hardware: Sensor Wheel Mounting Screw |
| -     | 0017-00104-0409 | 4   | Hardware: Washer 1.125" OD            |
| -     | AK58-00073-0001 | 1   | Speed Sensor Assembly                 |

## Ergo Bar with Lifepulse



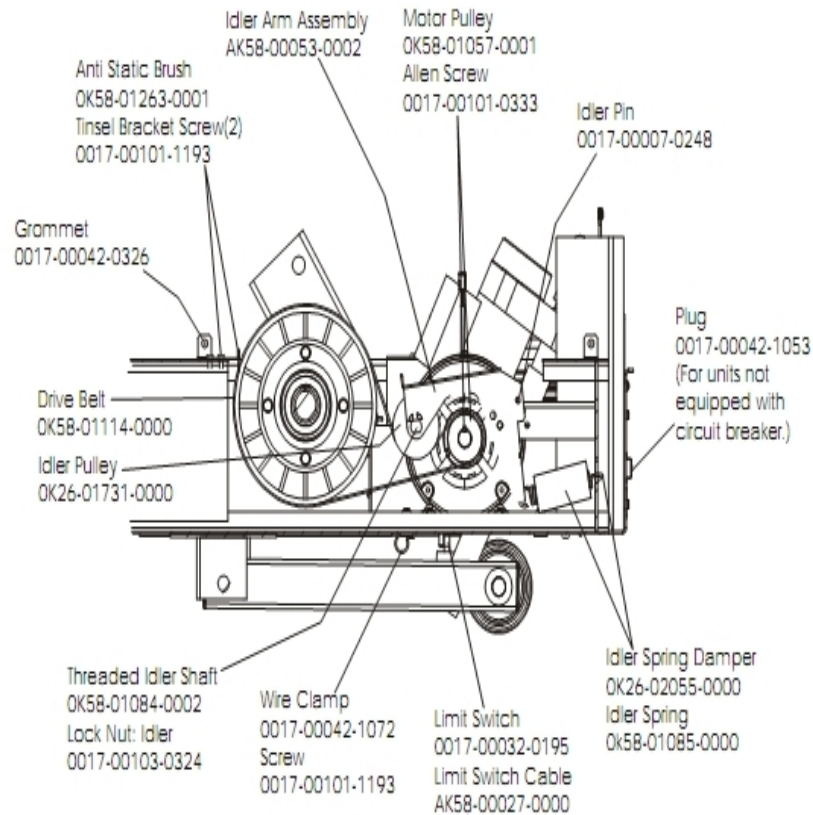
| Ref # | Part Number     | Qty | Description              |
|-------|-----------------|-----|--------------------------|
| -     | AK58-00064-0000 | 1   | I/R Lens Cover Assembly  |
| -     | 0017-00101-0824 | 2   | Hardware: Screw 1.125"   |
| -     | OK58-01347-0000 | 2   | ErgoBar Gasket           |
| -     | GK20-00002-0005 | 1   | Heart Rate Electrode Kit |

## Front Roller Assembly



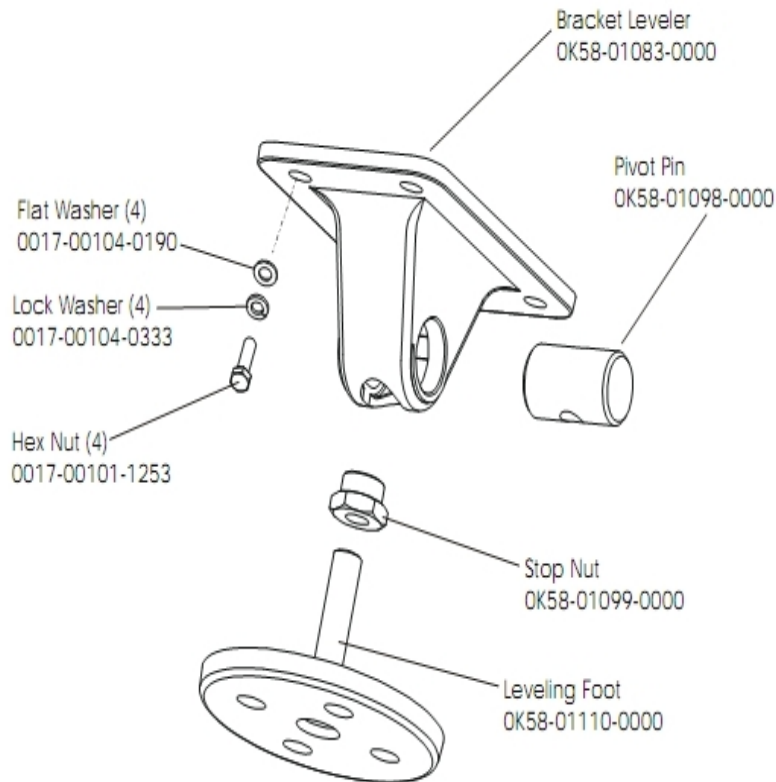
| Ref # | Part Number     | Qty | Description                      |
|-------|-----------------|-----|----------------------------------|
| -     | 0017-00101-0974 | 1   | Hardware: Mounting Bolt 2"       |
| -     | 0017-00104-0043 | 1   | Hardware: Flat Washer 0.734" OD  |
| -     | 0017-00104-0005 | 4   | Hardware: Lock Washer 0.489" OD  |
| -     | OK58-01001-0001 | 1   | Front Roller - 3.5"              |
| -     | AK58-00066-0000 | 1   | Front Roller Assembly            |
| -     | 0017-00101-1632 | 4   | Hardware: Hex Bolt 0.875"        |
| -     | OK58-01105-0000 | 1   | Drive Pulley Poly V - 8"         |
| -     | 0017-00104-0330 | 4   | Hardware: Flat Washers 0.562" OD |

## Idler Arm and Static Brush



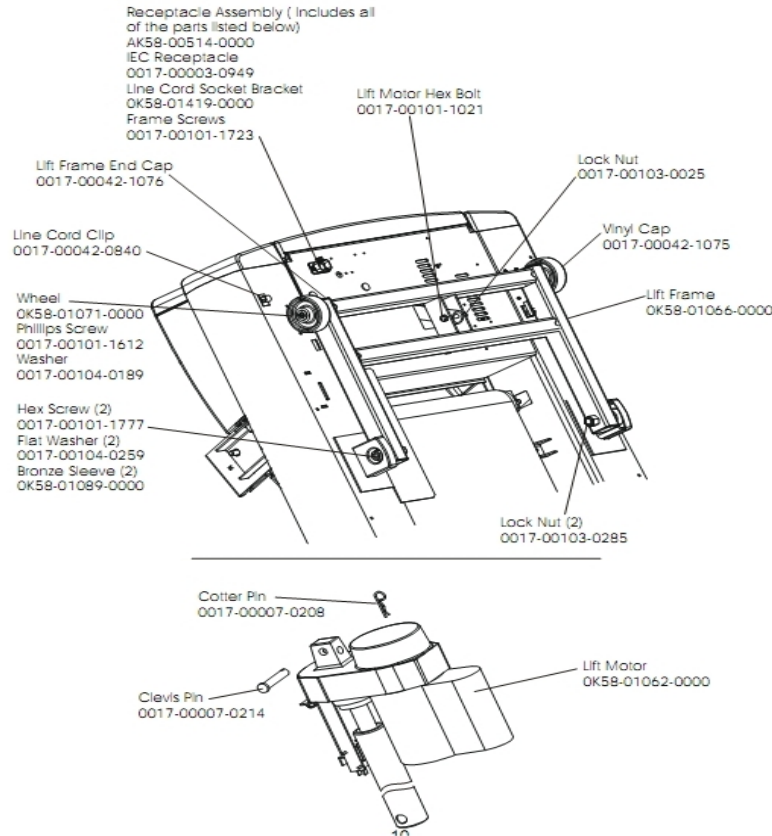
| Ref # | Part Number     | Qty | Description   |
|-------|-----------------|-----|---|
| -     | OK58-01057-0001 | 1   | Drive Pulley - 1.971"                               |
| -     | AK58-00053-0002 | 1   | Idler Arm Assembly                                  |
| -     | 0017-00103-0324 | 1   | Hardware: Thin Lock Nut 3/8" ID                     |
| -     | AK58-00027-0000 | 1   | Limit Switch Cable                                  |
| -     | OK26-01731-0000 | 1   | Plastic Idler 2 5/8" OD                             |
| -     | OK26-02055-0000 | 1   | Spring Damper                                       |
| -     | 0017-00032-0195 | 1   | Home Switch   |
| -     | 0017-00042-1072 | 1   | Hardware: Wire Clamp - 5/8"                         |
| -     | OK58-01084-0002 | 1   | Threaded Shaft                                      |
| -     | 0017-00007-0248 | 1   | Hardware: Locking Pin .31" D 2.125" L               |
| -     | 0017-00042-0326 | 1   | Hardware: Plastic Grommet                           |
| -     | 0017-00101-1193 | 3   | Hardware: Screw 0.375"                              |
| -     | OK58-01114-0000 | 1   | Poly-V Drive Belt - 370J12                          |
| -     | OK58-01085-0000 | 1   | Extension Spring                                    |
| -     | OK58-01263-0001 | 1   | Tinsel Bracket                                      |
| -     | 0017-00101-0333 | 1   | Hardware: Screw 0.3125"                             |
| -     | 0017-00042-1053 | 1   | Plug (For units not equipped with circuit breaker.) |

## Leveler Assembly



| Ref # | Part Number     | Qty | Description                     |
|-------|-----------------|-----|---------------------------------|
| -     | OK58-01098-0000 | 1   | Hardware: Pivot Pin             |
| -     | OK58-01099-0000 | 1   | Hardware: Stop Nut              |
| -     | OK58-01083-0000 | 1   | Leveler Bracket                 |
| -     | 0017-00104-0190 | 4   | Hardware: Flat Washer 0.734" OD |
| -     | AK58-00370-0000 | 1   | Leveler Assembly                |
| -     | OK58-01110-0000 | 1   | Leveler Foot                    |
| -     | 0017-00104-0333 | 4   | Hardware: Washer 0.683" OD      |
| -     | 0017-00101-1253 | 4   | Hardware: Screw                 |

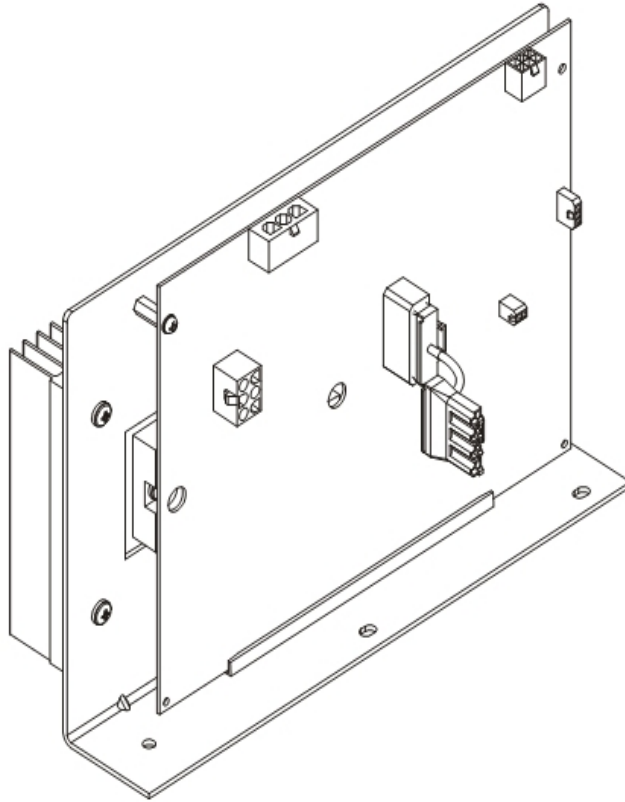
## Lift Frame and Lift Motor



| Ref # | Part Number     | Qty | Description                              |
|-------|-----------------|-----|--|
| -     | 0017-00042-1076 | 4   | Lift Frame End Cap                       |
| -     | 0017-00103-0285 | 2   | Hardware: Nut 5/8" ID                    |
| -     | 0017-00101-1723 | 1   | Hardware: Phillips Pan Screw 0.375"      |
| -     | AK58-00514-0000 | 1   | Receptacle Assembly                      |
| -     | 0017-00007-0208 | 2   | Hardware: Cotter Pin                     |
| -     | 0017-00101-1777 | 2   | Hardware: Lift Frame Mounting Bolt 2.75" |
| -     | 0017-00104-0189 | 2   | Hardware: Flat Washer 1" OD              |
| -     | OK58-01419-0000 | 1   | Line Cord Socket Bracket                 |
| -     | 0017-00003-0949 | 1   | IEC Receptacle                           |
| -     | 0017-00101-1021 | 1   | Hardware: Lift Motor Hex Bolt 2.5"       |
| -     | 0017-00103-0025 | 1   | Hardware: Locking Nut 3/8" ID            |
| -     | AK58-00220-0000 | 1   | LIFT-FRAME ASSY: MFG. C                  |
| -     | OK58-01062-0000 | 1   | Lift Motor - 120/60                      |
| -     | OK58-01089-0000 | 2   | Bronze Sleeve Bushings                   |
| -     | 0017-00042-0840 | 1   | Hardware: Push Mount Clip                |
| -     | OK58-01071-0000 | 2   | Wheel                                    |
| -     | 0017-00101-1612 | 1   | Hardware: Phillips Screw 0.5"            |
| -     | 0017-00042-1075 | 1   | Vinyl Cap                                |
| -     | 0017-00104-0259 | 2   | Hardware: Washer 1.331" OD               |
| -     | 0017-00007-0214 | 2   | Hardware: Clevis Pin 3/8" D 1.75" L      |

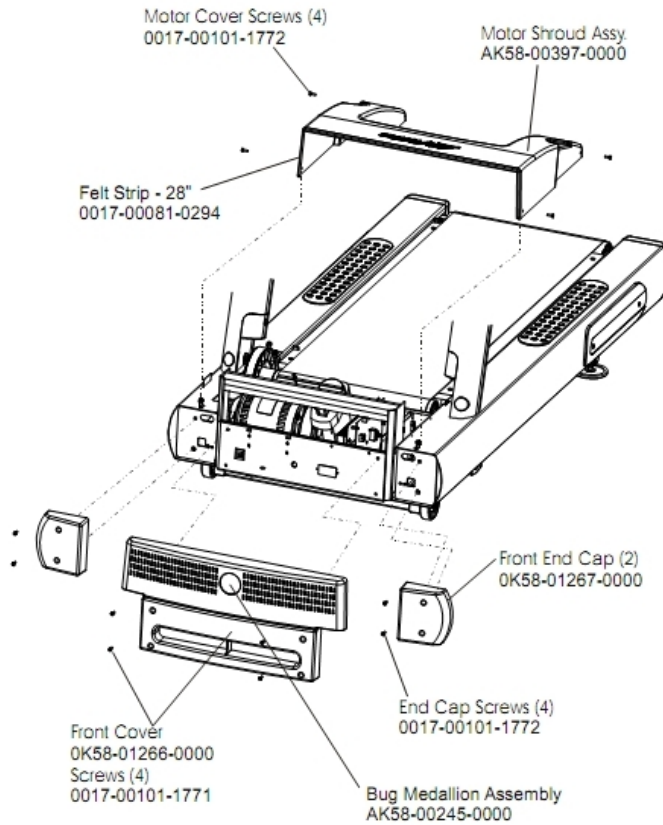
## Motor Controller Assembly

---



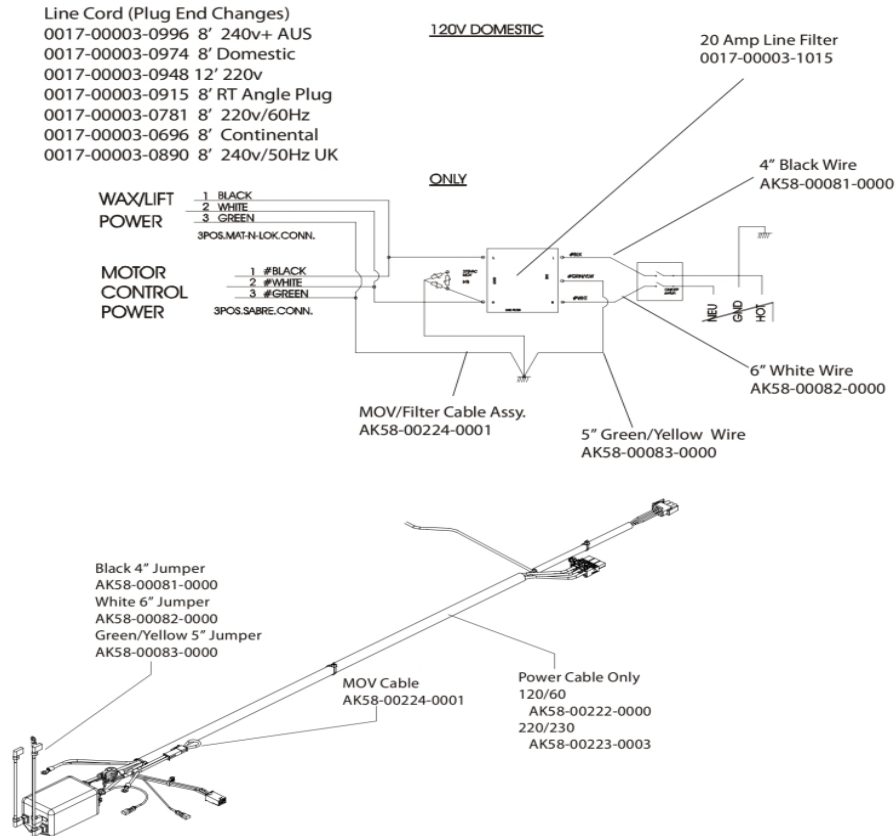
| Ref # | Part Number     | Qty | Description  |
|-------|-----------------|-----|--|
| -     | GK65-00002-0018 | 1   | Kit: Service; Motor Controller; 100-120VA; Display |

## Motor Cover, Front Cover and Front End Caps



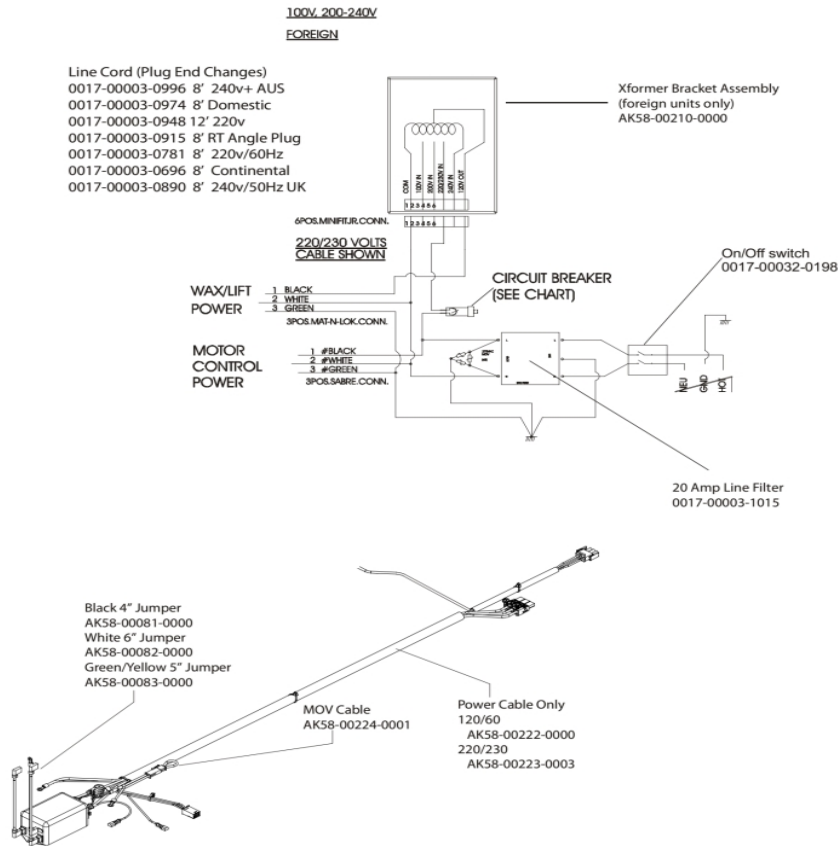
| Ref # | Part Number     | Qty | Description                       |
|-------|-----------------|-----|-----------------------------------|
| -     | 0017-00101-1772 | 8   | Hardware: Phillips Pan Screw 0.5" |
| -     | 0017-00081-0294 | 1   | Felt Strip - 28"                  |
| -     | 0K58-01267-0000 | 2   | End Cap                           |
| -     | 0K58-01266-0000 | 1   | Front Cover                       |
| -     | 0017-00101-1771 | 4   | Hardware: Phillips Pan Screw      |
| -     | AK58-00397-0000 | 1   | Motor Shroud                      |
| -     | AK58-00245-0000 | 1   | Bug Medallion                     |

# Power Components Schematic 1



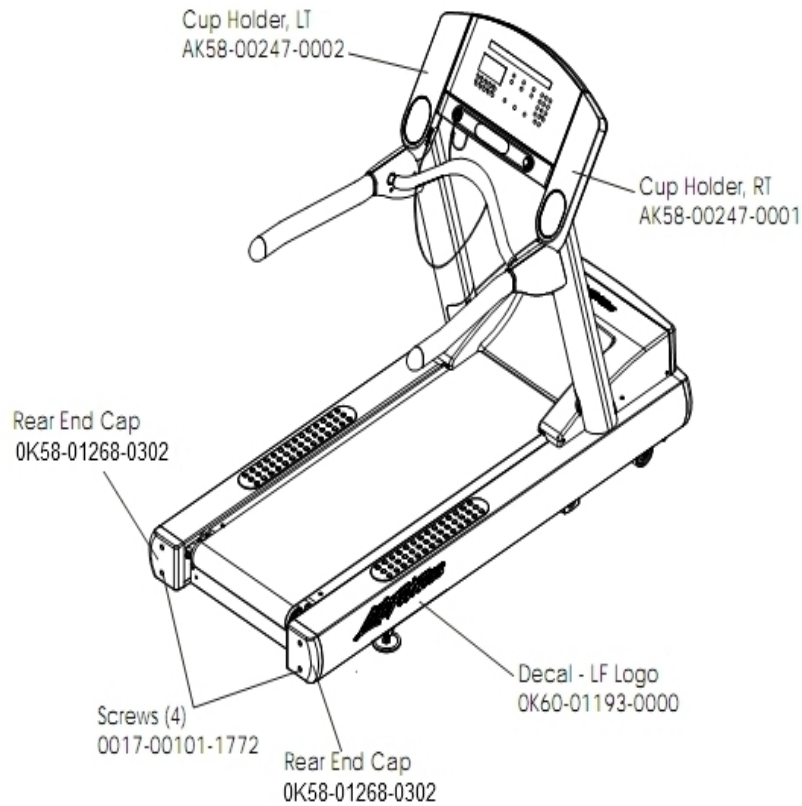
| Ref # | Part Number     | Qty | Description                       |
|-------|-----------------|-----|-----------------------------------|
| -     | AK58-00265-0001 | 1   | Harness Assembly: 120/60          |
| -     | AK58-00083-0000 | 1   | Cable Assembly                    |
| -     | 0017-00003-0915 | 1   | Line Cord RT Angle Plug           |
| -     | AK58-00082-0000 | 1   | Jumper Cable Assembly: White - 6" |
| -     | 0017-00003-0947 | 1   | Line Cord: 120V; 20A; 12'         |
| -     | AK58-00210-0000 | 1   | Transformer-Bracket Assembly      |
| -     | 0017-00032-0198 | 1   | On/Off Switch 22A                 |
| -     | 0017-00003-1015 | 1   | 20 amp Line Filter (DOM)          |
| -     | AK58-00224-0001 | 1   | Cable: MOV; Fliter                |
| -     | AK58-00081-0000 | 1   | Jumper Cable Assembly: Black - 4" |
| -     | AK58-00222-0000 | 1   | Power Cable Assembly 120V         |
| -     | 0017-00003-0974 | 1   | Line Cord: 120V: 8'               |

### Power Components Schematic 2



| Ref # | Part Number     | Qty | Description                       |
|-------|-----------------|-----|-----------------------------------|
| -     | 0017-00003-0915 | 1   | Line Cord RT Angle Plug           |
| -     | AK58-00224-0001 | 1   | Cable: MOV; Fliter                |
| -     | AK58-00223-0004 | 1   | Power Cable Assembly 240V         |
| -     | AK58-00223-0003 | 1   | Power Cable Assembly 220-230V     |
| -     | AK58-00223-0001 | 1   | Power Cable Assembly 100V         |
| -     | 0017-00003-1015 | 1   | 20 amp Line Filter (DOM)          |
| -     | AK58-00265-0001 | 1   | Harness Assembly: 120/60          |
| -     | AK58-00082-0000 | 1   | Jumper Cable Assembly: White - 6" |
| -     | AK58-00222-0000 | 1   | Power Cable Assembly 120V         |
| -     | 0017-00003-0947 | 1   | Line Cord: 120V; 20A; 12'         |
| -     | 0017-00003-0974 | 1   | Line Cord: 120V: 8'               |
| -     | AK58-00083-0000 | 1   | Cable Assembly                    |
| -     | AK58-00081-0000 | 1   | Jumper Cable Assembly: Black - 4" |

## Rear End Caps and Cup Holders



| Ref # | Part Number     | Qty | Description                       |
|-------|-----------------|-----|-----------------------------------|
| -     | OK58-01268-0302 | 2   | ENDCAP: REAR; STEALTH D           |
| -     | 0017-00101-1772 | 4   | Hardware: Phillips Pan Screw 0.5" |
| -     | AK58-00247-0001 | 1   | Cup Holder Right                  |
| -     | OK60-01193-0000 | 1   | Decal: LF Logo                    |
| -     | AK58-00247-0002 | 1   | Cup Holder Left                   |

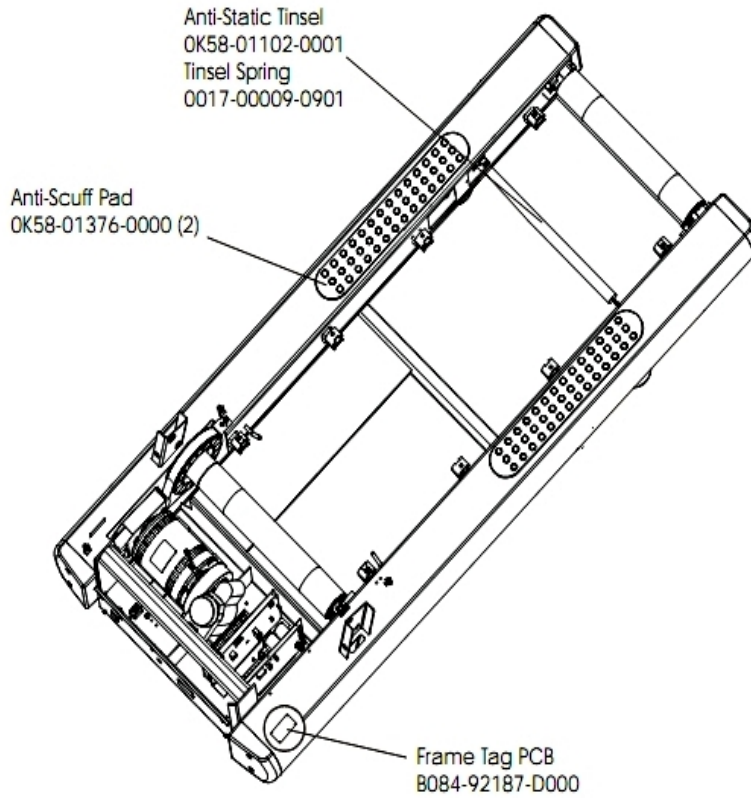
## References

---

| Ref # | Part Number     | Qty | Description                     |
|-------|-----------------|-----|---------------------------------|
| -     | 0017-00021-2846 | 1   | F-Type Panel Connector          |
| -     | 0017-00008-0205 | 1   | 5 oz Bottle - Arctic Silver     |
| -     | 0K58-01392-0000 | 1   | Plate: Connector                |
| -     | AK58-00226-0000 | 1   | Hardware Bag                    |
| -     | AK58-00329-0000 | 1   | Access Panel Assembly           |
| -     | 0017-00008-0204 | 1   | Paint Spray Can - Arctic Silver |
| -     | AK32-00078-0001 | 1   | Power Extension Cable: 120"     |
| -     | AK32-00020-0002 | 1   | Coax Cable: 120"                |
| -     | M051-00K58-A161 | 1   | Service Video                   |
| -     | 0017-00008-0206 | 1   | .33oz Pen - Arctic Silver       |
| -     | M051-00K58-A160 | 1   | Installation Video              |

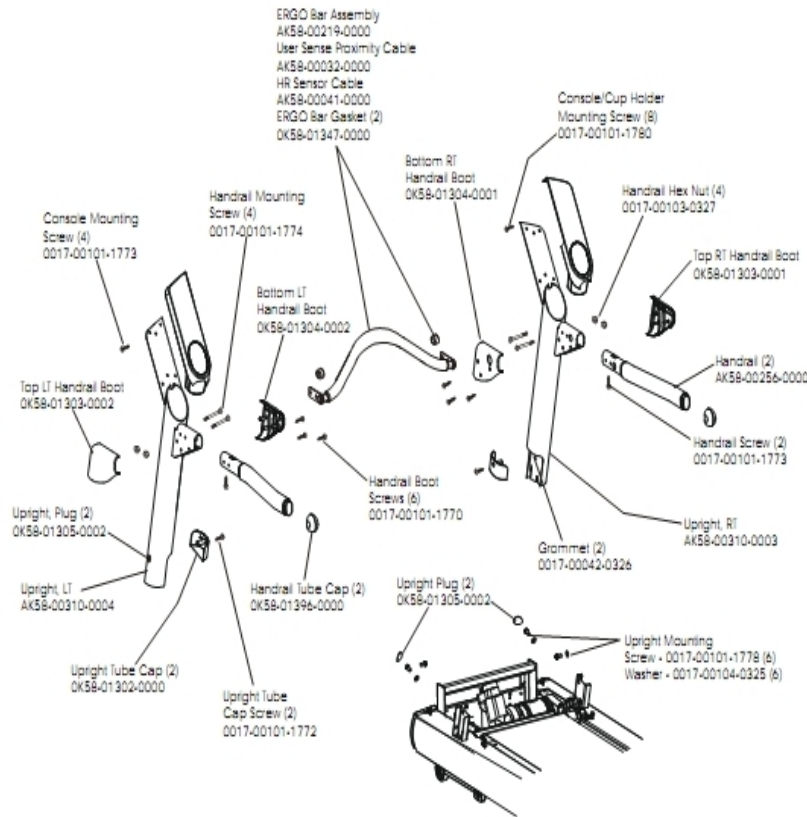
## Scuff Pad, Tinsel and Frame Tag Board

---



| Ref # | Part Number     | Qty | Description             |
|-------|-----------------|-----|-------------------------|
| -     | 0017-00009-0901 | 1   | Tinsel Extension Spring |
| -     | B084-92187-D000 | 1   | Frame Tag PCB           |
| -     | OK58-01102-0001 | 1   | Anti-Static Tinsel      |
| -     | OK58-01376-0000 | 2   | Anti-Scuff Pad          |

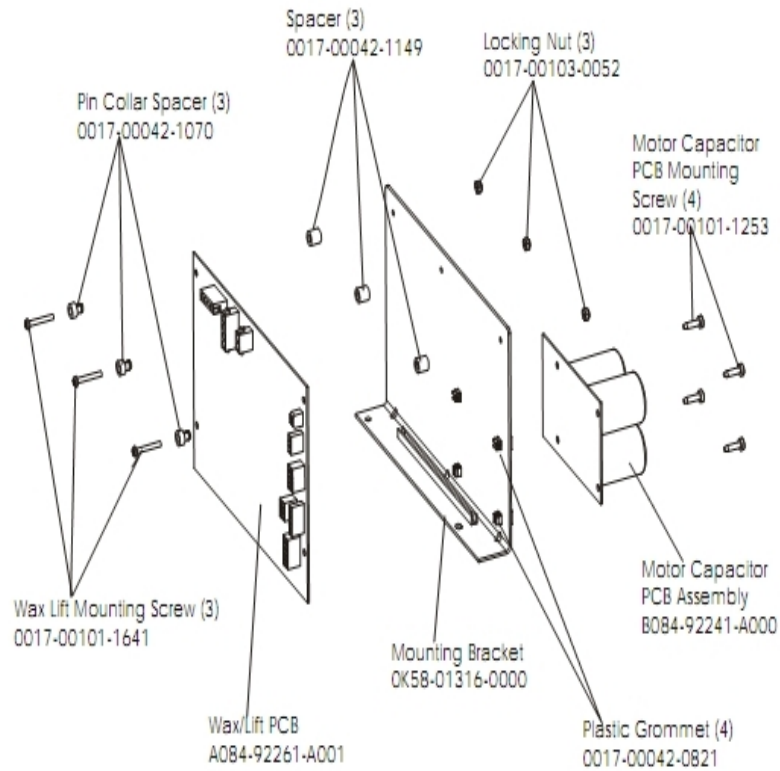
## Uprights, Handrails and Ergo Bar



| Ref # | Part Number     | Qty | Description                       |
|-------|-----------------|-----|-----------------------------------|
| -     | AK58-00256-0001 | 2   | Handrail                          |
| -     | 0017-00101-1778 | 6   | Hardware: Hex Bolt 1"             |
| -     | 0017-00101-1770 | 6   | Hardware: Phillips Pan Screw 0.5" |
| -     | 0017-00101-1773 | 6   | Hardware: TORX Screw 0.5"         |
| -     | 0017-00104-0325 | 6   | Hardware: Washer 0.873" OD        |
| -     | 0017-00101-1780 | 8   | Hardware: Mounting Screws         |
| -     | 0017-00101-1774 | 4   | Hardware: TORX Screw 2.5"         |
| -     | AK58-00041-0000 | 1   | Heartrate Sensor Cable            |
| -     | OK58-01303-0002 | 1   | Top Left Handrail Boot            |
| -     | OK58-01304-0001 | 1   | Bottom Right Handrail Boot        |
| -     | OK58-01304-0002 | 1   | Bottom Left Handrail Boot         |
| -     | 0017-00042-0326 | 2   | Hardware: Plastic Grommet         |
| -     | AK58-00219-0000 | 1   | Ergo Bar with Heart Rate Sensors  |
| -     | AK58-00311-0004 | 1   | Upright: Left                     |
| -     | 0017-00101-1772 | 2   | Hardware: Phillips Pan Screw 0.5" |
| -     | OK58-01303-0001 | 1   | Top Right Handrail Boot           |
| -     | OK58-01347-0000 | 2   | ErgoBar Gasket                    |
| -     | OK58-01396-0000 | 2   | Endcap                            |
| -     | AK58-00032-0000 | 1   | User Proximity Sensor Cable       |
| -     | 0017-00103-0327 | 4   | Hardware: Hex Nut 5/16" ID        |
| -     | AK58-00310-0003 | 1   | Upright: Right                    |
| -     | OK58-01305-0002 | 4   | Upright Plug                      |

| Ref # | Part Number     | Qty | Description                      |
|-------|-----------------|-----|----------------------------------|
| -     | 0K58-01302-0103 | 2   | Cap: Upright Tube; Arctic Silver |

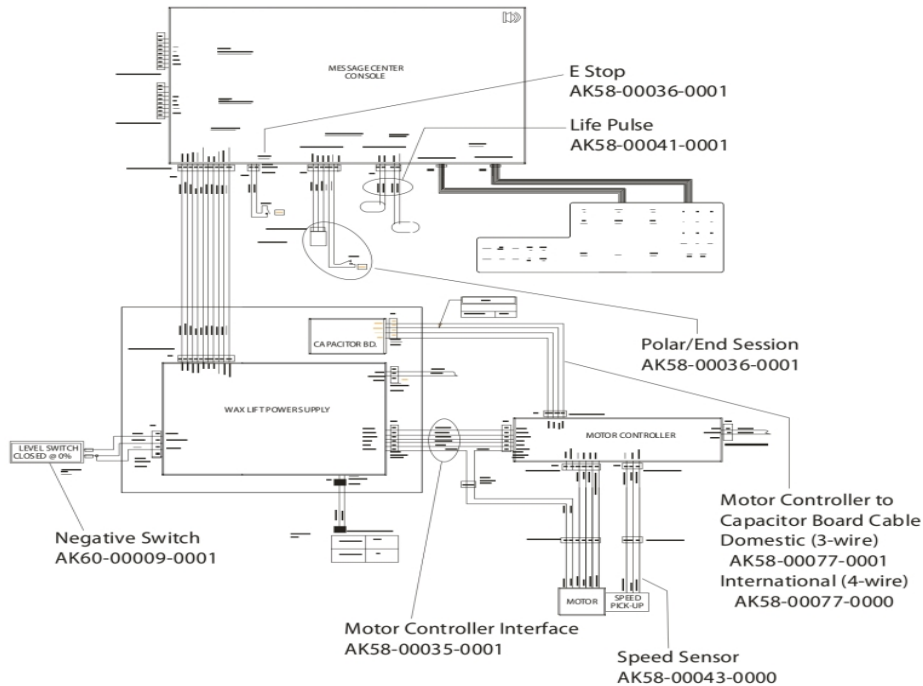
## Wax/Lift Assembly



| Ref # | Part Number     | Qty | Description                  |
|-------|-----------------|-----|------------------------------|
| -     | 0017-00103-0052 | 3   | Hardware: Locking Nut ID     |
| -     | 0017-00042-1149 | 3   | Spacer                       |
| -     | AK58-00243-0000 | 1   | Wax/Lift Assembly            |
| -     | B084-92241-A000 | 1   | Motor Capacitor PCB Assembly |
| -     | 0017-00042-0821 | 4   | Hardware: Plastic Grommet    |
| -     | A084-92261-A001 | 1   | Wax/Lift PCB                 |
| -     | 0017-00101-1641 | 3   | Hardware: Phillips Pan Screw |
| -     | 0017-00101-1253 | 4   | Hardware: Screw              |
| -     | 0017-00042-1070 | 3   | Pin Collar Spacer            |
| -     | OK58-01316-0000 | 1   | Mounting Bracket             |

# Wax/Lift Power Supply

For pre-wired units:  
120" Coax Cable  
AK32-00020-0002  
120" Power Extension Cable  
AK32-00078-0001



| Ref # | Part Number     | Qty | Description                           |
|-------|-----------------|-----|---------------------------------------|
| -     | AK32-00020-0002 | 1   | Coax Cable: 120"                      |
| -     | AK58-00077-0001 | 1   | Cap Board Cable - Domestic            |
| -     | AK58-00077-0000 | 1   | Cap Board Cable - International       |
| -     | AK58-00041-0001 | 1   | Heart Rate Sensor Cable               |
| -     | AK58-00036-0000 | 2   | Cable-Assembly: Emergency-Stop Switch |
| -     | AK60-00009-0001 | 1   | Negative Switch Cable Assembly        |
| -     | AK58-00043-0000 | 1   | Speed Sensor Cable                    |
| -     | AK58-00035-0001 | 1   | Motor Controller Interface Cable      |
| -     | AK32-00078-0001 | 1   | Power Extension Cable: 120"           |

