

95Ti Treadmill - 4HP AC - Lifepulse - Arctric Silver

95TW-0103-03

Parts Manual

1/5/2019 11:11:59 AM

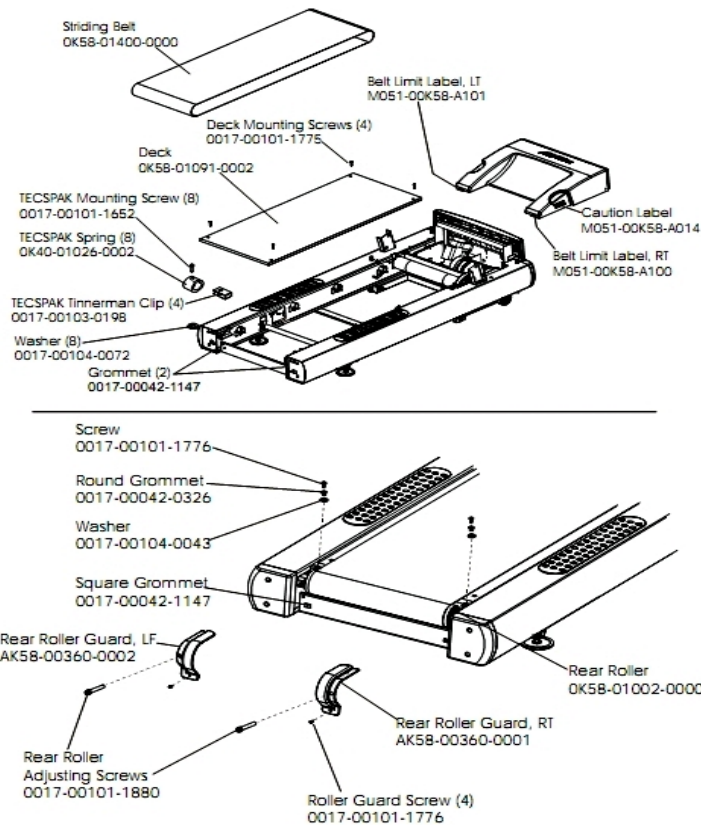


Lifefitness
WHAT WE LIVE FOR

Table of Contents

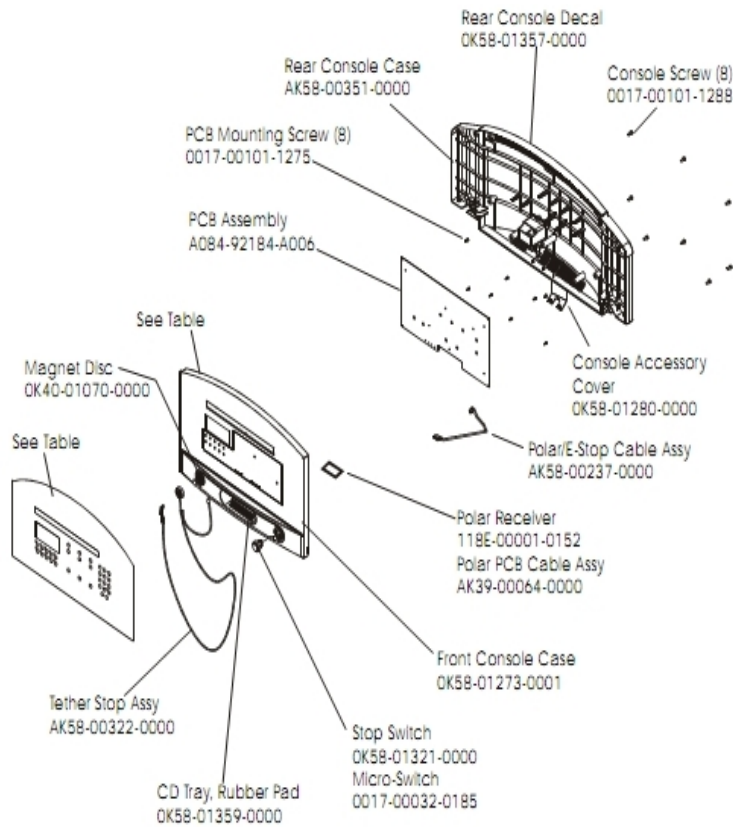
Belt, Deck, And Rear Roller.....	3
Console And Related Components.....	4
Drive Motor Assembly.....	5
Ergo Bar WithLifepulse.....	6
Front Roller.....	7
Idler Arm Assembly And Static Brush.....	8
Leveler Assembly.....	9
Lift Motor And Frame.....	10
Motor Controller Assembly.....	11
Motor Cover, Front Cover And Front End Caps.....	12
Power Components Schematic 1.....	13
Power Components Schematic 2.....	14
Rear End Caps And Cup Holders.....	15
References.....	16
Scuff Pad, Tinsel And Frame Tag Bd.....	17
Uprights, Handrails And Ergo Bar.....	18
Wax/Lift Assembly.....	19
Wax/Lift Power Supply.....	20

Belt, Deck, And Rear Roller



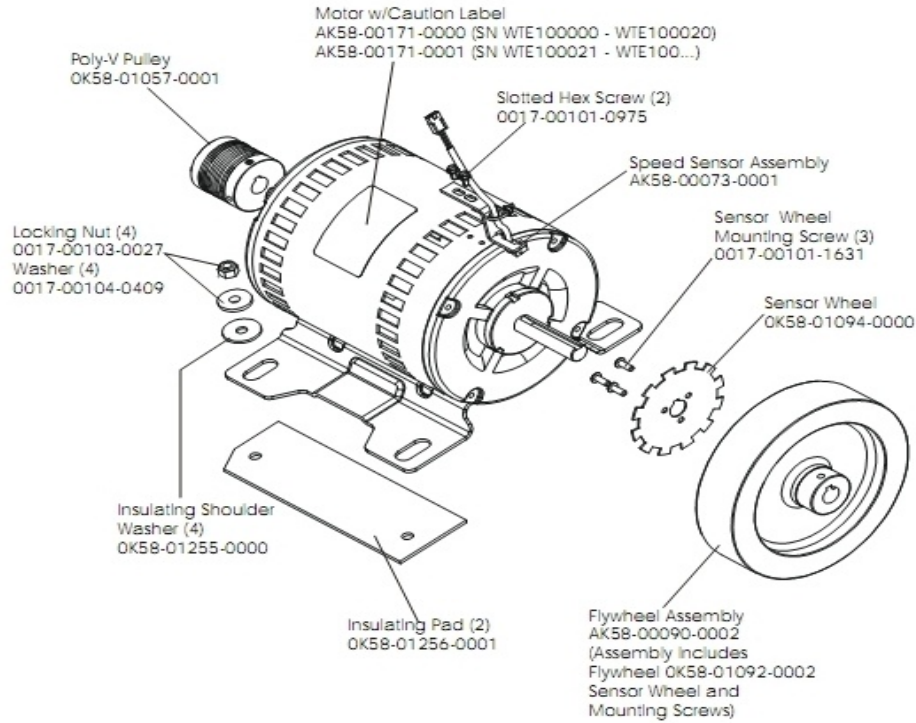
Ref #	Part Number	Qty	Description
-	0017-00103-0198	4	Hardware: Tinnerman Clip 1/4" ID
-	M051-00K58-A101	1	Belt Limit Label. Left
-	OK40-01026-0002	8	Deck Spring
-	OK65-01263-0000	1	Deck
-	AK58-00360-0001	1	Rear Roller Guard: Right
-	0017-00104-0072	8	Hardware: Flat Washer 0.562" OD
-	M051-00K58-A100	1	Label: Belt Limit: Right
-	OK58-01400-0000	1	Striding Belt
-	AK58-00360-0002	1	Rear Roller Guard: Left
-	0017-00104-0043	2	Hardware: Flat Washer 0.734" OD
-	OK58-01002-0000	1	Rear Roller - 3.5"
-	M051-00K58-A014	1	Label: Caution
-	0017-00042-0326	2	Hardware: Plastic Grommet
-	0017-00042-1147	4	Hardware: Nylon Grommet
-	0017-00101-1652	8	Hardware: Spring Mounting Screw 1"
-	0017-00101-1880	2	Hardware: Tension Bolts 3"
-	0017-00101-1776	6	Hardware: Mounting Screw 0.5"
-	0017-00101-1775	4	Hardware: Deck Screws 1.25"

Console And Related Components



Ref #	Part Number	Qty	Description
-	A084-92184-A006	1	PCB Assembly
-	0017-00101-1288	8	Hardware: Phillips Screw 0.5"
-	OK58-01298-0001	1	Console English/Metric
-	OK58-01321-0000	1	Stop Switch
-	118E-00001-0244	1	Heart Rate Receiver
-	AK58-00237-0000	1	Cable-Assembly: Polar/E-Stop
-	OK58-01273-0001	1	Front Console Case
-	OK58-01359-0000	1	Rubber Pad
-	OK40-01070-0000	1	Magnetic Disk
-	118E-00001-0259	1	Wireless Receiver Module, Non-Coded
-	0017-00032-0185	1	Micro Switch 150GR
-	OK58-01280-0000	1	Accessory Cover
-	AK58-00351-0000	1	Rear Console Case
-	AK58-00203-0001	1	Overlay/Bezel Assembly English/Imperial
-	AK58-00322-0000	1	Tether Stop Assembly
-	OK58-01357-0000	1	Decal
-	0017-00101-1275	8	Hardware: Phillips Screw 0.375"
-	AK58-00438-0001	1	Console: English/Metric

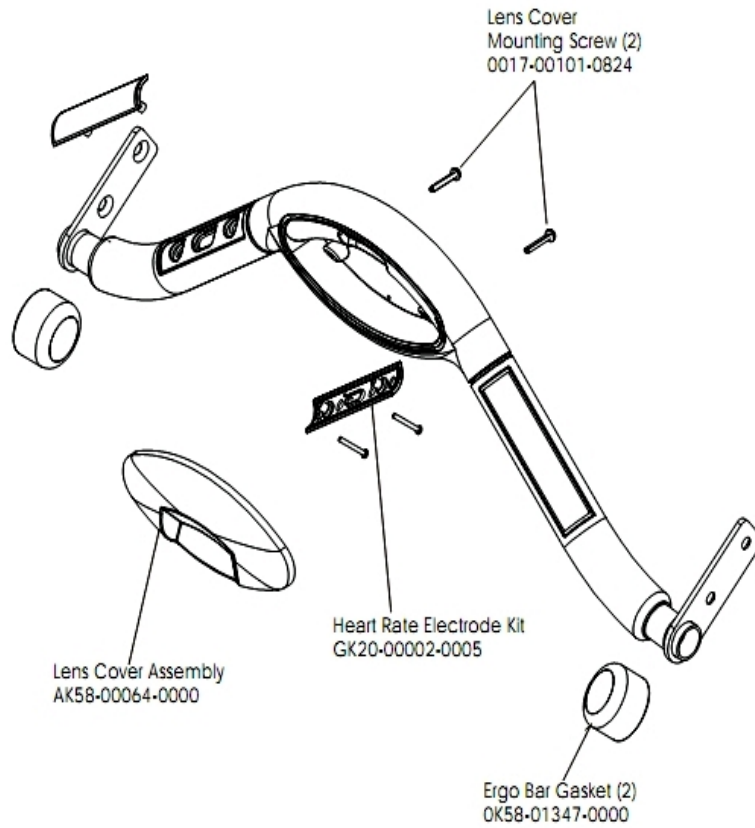
Drive Motor Assembly



Drive Motor Assembly Number	Motor Serial Number
AK58-00172-0000	WTE100000 – WTE100020
AK58-00172-0002	WTE100021 and up

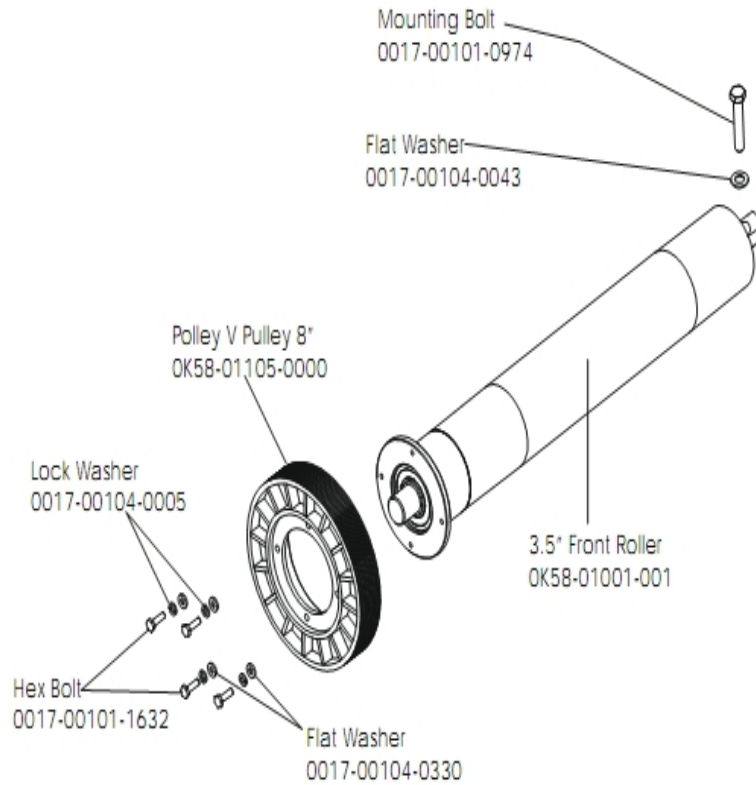
Ref #	Part Number	Qty	Description
-	AK58-00171-0001	2	Drive Motor Assembly
-	0017-00101-0975	2	Hardware: Mounting Bolt 0.375"
-	0017-00103-0027	4	Hardware: Locking Nut. 5/16" ID
-	OK58-01057-0001	1	Drive Pulley - 1.971"
-	OK58-01255-0000	4	Hardware: Insulating Washers
-	OK58-01256-0001	2	Insulating Pad
-	OK58-01094-0000	1	Sensor Wheel
-	AK58-00090-0002	1	Flywheel Assembly
-	0017-00101-1631	3	Hardware: Sensor Wheel Mounting Screw
-	0017-00104-0409	4	Hardware: Washer 1.125" OD
-	AK58-00073-0001	1	Speed Sensor Assembly

Ergo Bar WithLifepulse



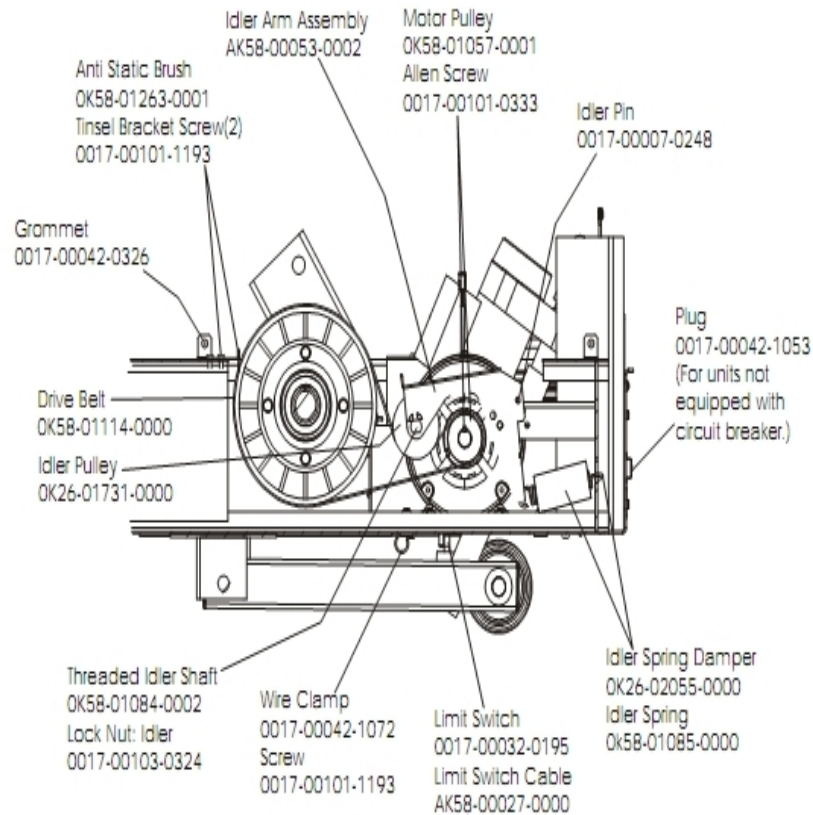
Ref #	Part Number	Qty	Description
-	AK58-00064-0000	1	I/R Lens Cover Assembly
-	0017-00101-0824	2	Hardware: Screw 1.125"
-	OK58-01347-0000	2	ErgoBar Gasket
-	GK20-00002-0005	2	Heart Rate Electrode Kit

Front Roller



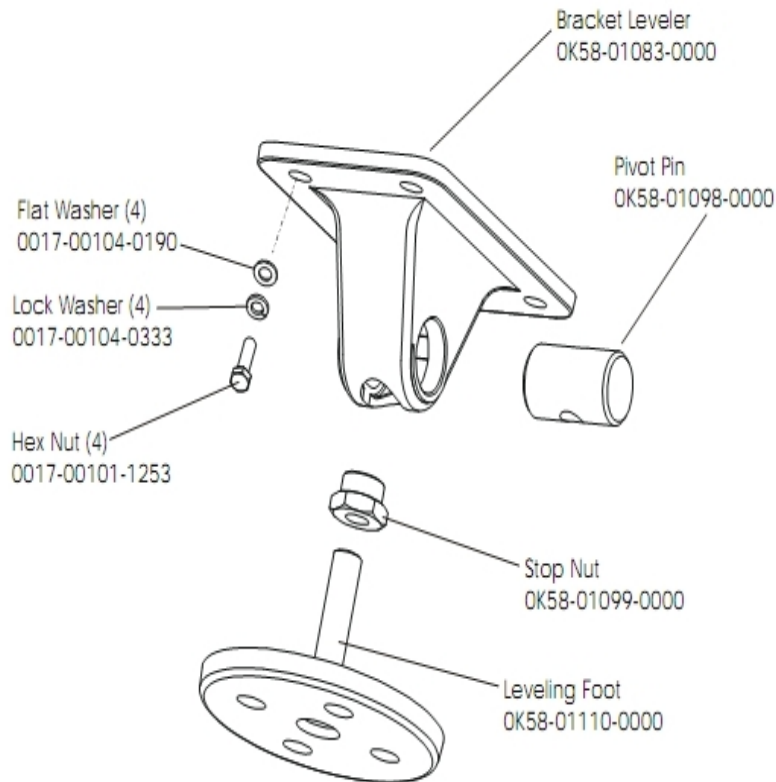
Ref #	Part Number	Qty	Description
-	0017-00101-0974	1	Hardware: Mounting Bolt 2"
-	0017-00104-0043	1	Hardware: Flat Washer 0.734" OD
-	0017-00104-0005	2	Hardware: Lock Washer 0.489" OD
-	OK58-01001-0001	1	Front Roller - 3.5"
-	AK58-00066-0000	1	Front Roller Assembly
-	0017-00101-1632	2	Hardware: Hex Bolt 0.875"
-	OK58-01105-0000	1	Drive Pulley Poly V - 8"
-	0017-00104-0330	2	Hardware: Flat Washers 0.562" OD

Idler Arm Assembly And Static Brush



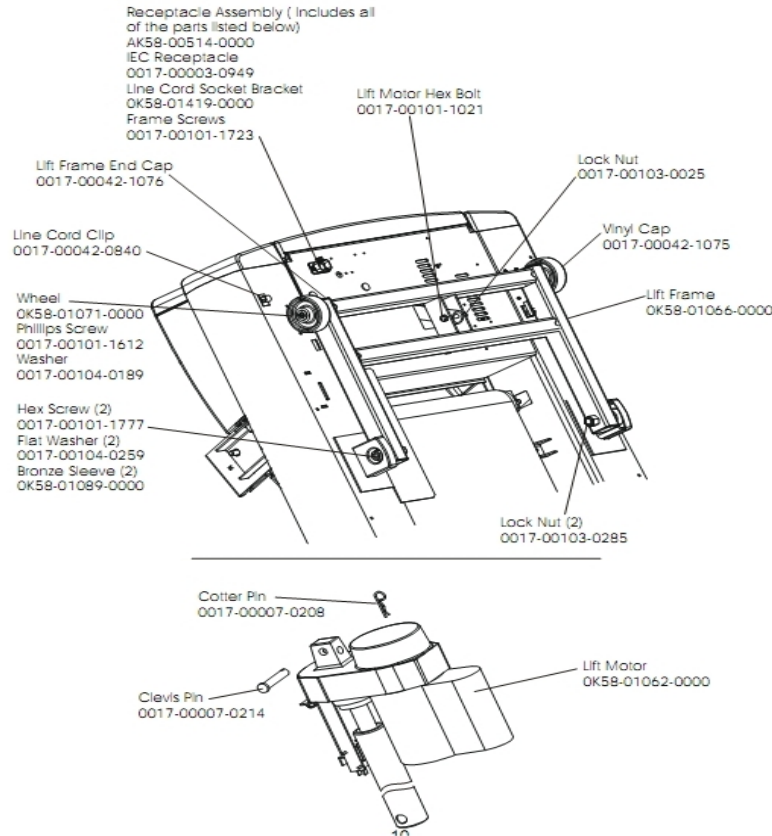
Ref #	Part Number	Qty	Description
-	OK58-01057-0001	1	Drive Pulley - 1.971"
-	AK58-00053-0002	1	Idler Arm Assembly
-	0017-00103-0324	1	Hardware: Thin Lock Nut 3/8" ID
-	AK58-00027-0000	1	Limit Switch Cable
-	OK26-01731-0000	1	Plastic Idler 2 5/8" OD
-	OK26-02055-0000	1	Spring Damper
-	0017-00032-0195	1	Home Switch
-	0017-00042-1072	1	Hardware: Wire Clamp - 5/8"
-	OK58-01084-0002	1	Threaded Shaft
-	0017-00007-0248	1	Hardware: Locking Pin .31" D 2.125" L
-	0017-00042-0326	1	Hardware: Plastic Grommet
-	0017-00101-1193	3	Hardware: Screw 0.375"
-	OK58-01114-0000	1	Poly-V Drive Belt - 370J12
-	OK58-01085-0000	1	Extension Spring
-	OK58-01263-0001	1	Tinsel Bracket
-	0017-00101-0333	1	Hardware: Screw 0.3125"
-	0017-00042-1053	1	Plug (For units not equipped with circuit breaker.)

Leveler Assembly



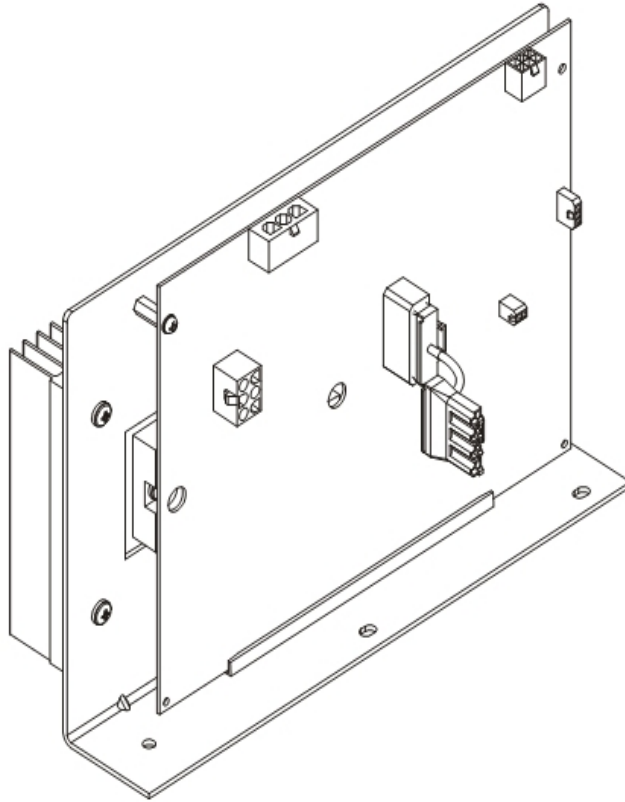
Ref #	Part Number	Qty	Description
-	OK58-01098-0000	1	Hardware: Pivot Pin
-	OK58-01099-0000	1	Hardware: Stop Nut
-	OK58-01083-0000	1	Leveler Bracket
-	0017-00104-0190	4	Hardware: Flat Washer 0.734" OD
-	AK58-00370-0000	1	Leveler Assembly
-	OK58-01110-0000	1	Leveler Foot
-	0017-00104-0333	4	Hardware: Washer 0.683" OD
-	0017-00101-1253	4	Hardware: Screw

Lift Motor And Frame



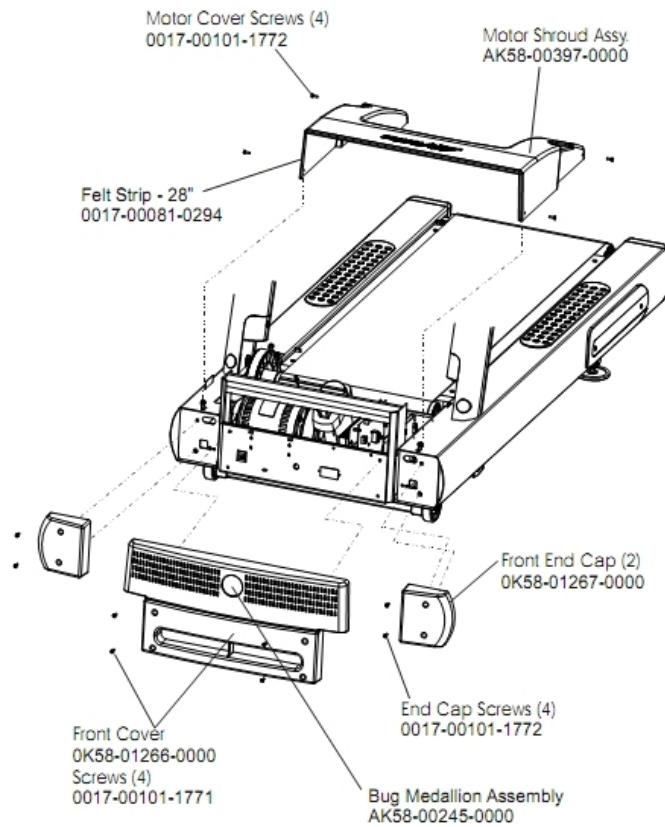
Ref #	Part Number	Qty	Description
-	0017-00042-1076	1	Lift Frame End Cap
-	0017-00103-0285	2	Hardware: Nut 5/8" ID
-	0017-00101-1723	2	Hardware: Phillips Pan Screw 0.375"
-	AK58-00514-0000	1	Receptacle Assembly
-	0017-00007-0208	1	Hardware: Cotter Pin
-	0017-00101-1777	2	Hardware: Lift Frame Mounting Bolt 2.75"
-	0017-00104-0189	2	Hardware: Flat Washer 1" OD
-	OK58-01419-0000	1	Line Cord Socket Bracket
-	0017-00003-0949	1	IEC Receptacle
-	0017-00101-1021	1	Hardware: Lift Motor Hex Bolt 2.5"
-	0017-00103-0025	1	Hardware: Locking Nut 3/8" ID
-	AK58-00220-0000	1	LIFT-FRAME ASSY: MFG. C
-	OK58-01062-0000	1	Lift Motor - 120/60
-	OK58-01089-0000	2	Bronze Sleeve Bushings
-	0017-00042-0840	1	Hardware: Push Mount Clip
-	OK58-01071-0000	2	Wheel
-	0017-00101-1612	1	Hardware: Phillips Screw 0.5"
-	0017-00042-1075	1	Vinyl Cap
-	0017-00104-0259	2	Hardware: Washer 1.331" OD
-	0017-00007-0214	1	Hardware: Clevis Pin 3/8" D 1.75" L

Motor Controller Assembly



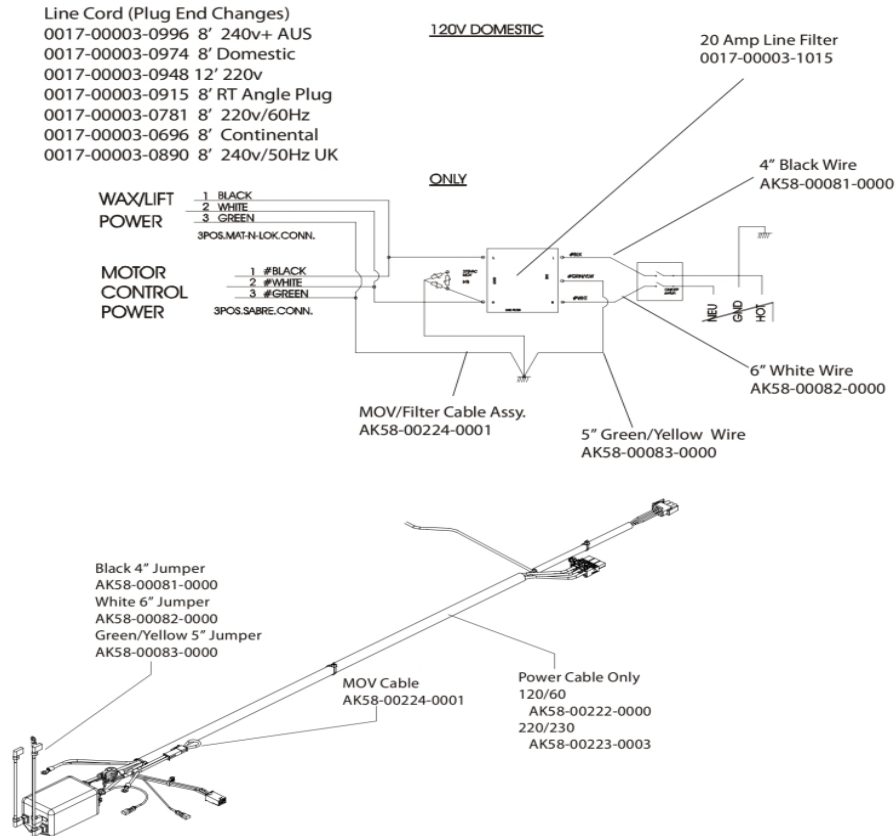
Ref #	Part Number	Qty	Description
-	GK65-00002-0019	1	Motor Controller Assembly (200-240V)
-	AK60-00171-0001	1	
-	AK60-00171-0001	1	
-	AK60-00171-0001	1	
-	AK60-00171-0001	1	

Motor Cover, Front Cover And Front End Caps



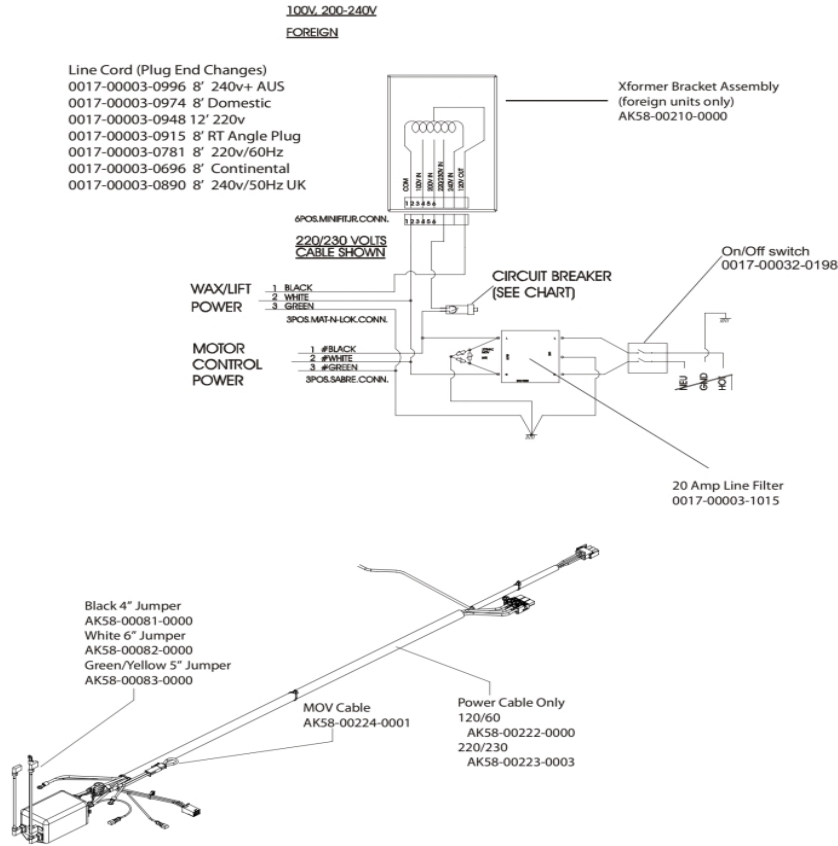
Ref #	Part Number	Qty	Description
-	0017-00081-0294	1	Felt Strip - 28"
-	0017-00101-1771	4	Hardware: Phillips Pan Screw
-	0K58-01266-0000	1	Front Cover
-	0K58-01267-0000	2	End Cap
-	AK58-00245-0000	1	Bug Medallion
-	0017-00101-1772	8	Hardware: Phillips Pan Screw 0.5"
-	AK58-00397-0000	1	Motor Shroud

Power Components Schematic 1



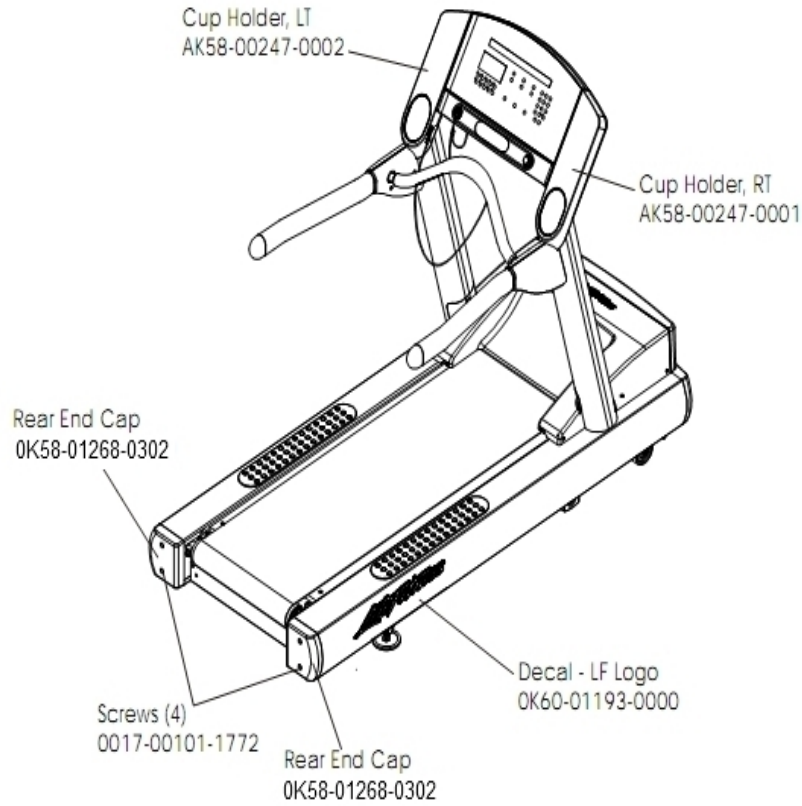
Ref #	Part Number	Qty	Description
-	0017-00032-0198	1	On/Off Switch 22A
-	0017-00003-1015	1	20 amp Line Filter (DOM)
-	AK58-00083-0000	1	Cable Assembly
-	0017-00003-0915	1	Line Cord RT Angle Plug
-	AK58-00222-0000	1	Power Cable Assembly 120V
-	0017-00003-0974	1	Line Cord: 120V: 8'
-	0017-00003-0947	1	Line Cord: 120V; 20A; 12'
-	AK58-00224-0001	1	Cable: MOV; Fliter
-	AK58-00081-0000	1	Jumper Cable Assembly: Black - 4"
-	AK58-00210-0000	1	Transformer-Bracket Assembly
-	AK58-00265-0003	1	Harness Assembly: 230/50
-	AK58-00082-0000	1	Jumper Cable Assembly: White - 6"

Power Components Schematic 2



Ref #	Part Number	Qty	Description
-	0017-00003-0915	1	Line Cord RT Angle Plug
-	0017-00003-0781	1	Line Cord: US High Voltage
-	AK58-00082-0000	1	Jumper Cable Assembly: White - 6"
-	AK58-00265-0003	1	Harness Assembly: 230/50
-	0017-00003-1015	1	20 amp Line Filter (DOM)
-	0017-00003-0696	1	Line Cord: International High Voltage (Cont.) 103"
-	AK58-00224-0001	1	Cable: MOV; Fliter
-	AK58-00081-0000	1	Jumper Cable Assembly: Black - 4"
-	AK58-00083-0000	1	Cable Assembly
-	AK58-00222-0000	1	Power Cable Assembly 120V

Rear End Caps And Cup Holders

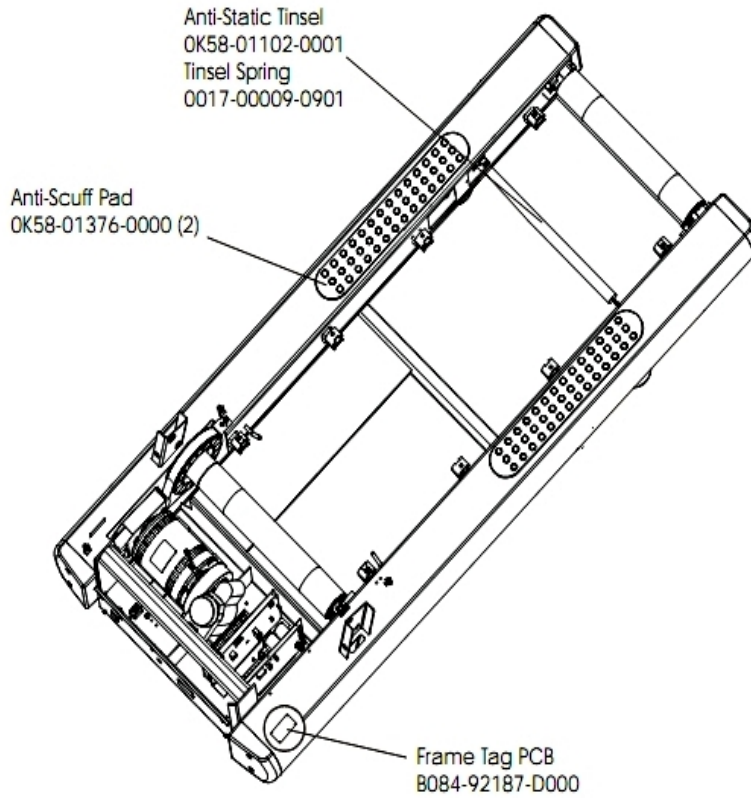


Ref #	Part Number	Qty	Description
-	OK58-01268-0302	2	ENDCAP: REAR; STEALTH D
-	0017-00101-1772	4	Hardware: Phillips Pan Screw 0.5"
-	AK58-00247-0001	1	Cup Holder Right
-	OK60-01193-0000	1	Decal: LF Logo
-	AK58-00247-0002	1	Cup Holder Left

References

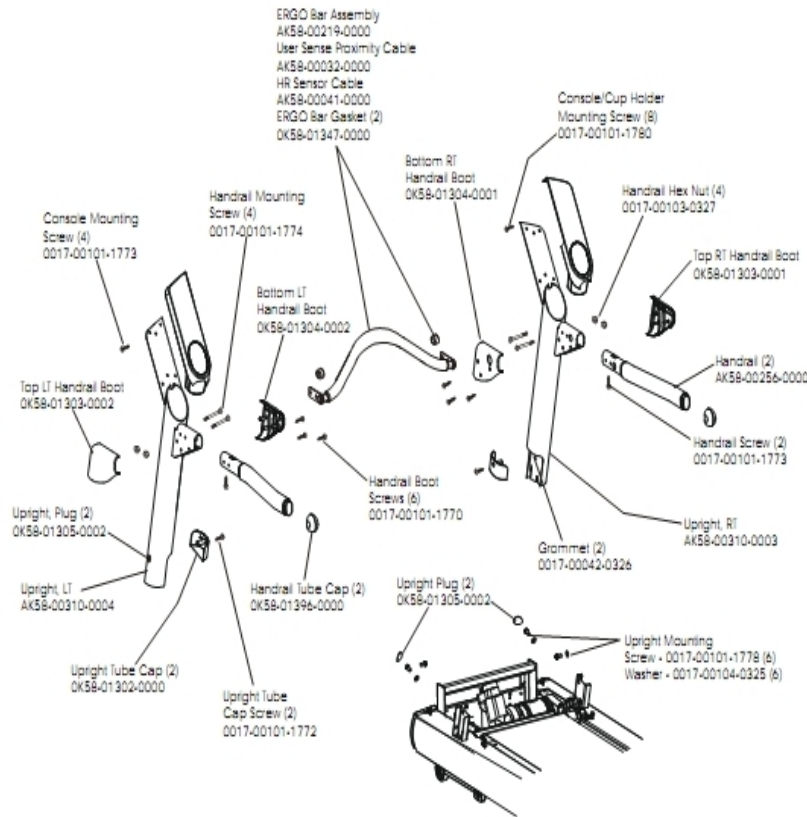
Ref #	Part Number	Qty	Description
-	0017-00021-2846	1	F-Type Panel Connector
-	0017-00008-0205	1	5 oz Bottle - Arctic Silver
-	0K58-01392-0000	1	Plate: Connector
-	AK58-00226-0000	1	Hardware Bag
-	AK58-00329-0000	1	Access Panel Assembly
-	0017-00008-0204	1	Paint Spray Can - Arctic Silver
-	AK32-00078-0001	1	Power Extension Cable: 120"
-	AK32-00020-0002	1	Coax Cable: 120"
-	M051-00K58-A161	1	Service Video
-	0017-00008-0206	1	.33oz Pen - Arctic Silver
-	M051-00K58-A160	1	Installation Video

Scuff Pad, Tinsel And Frame Tag Bd.



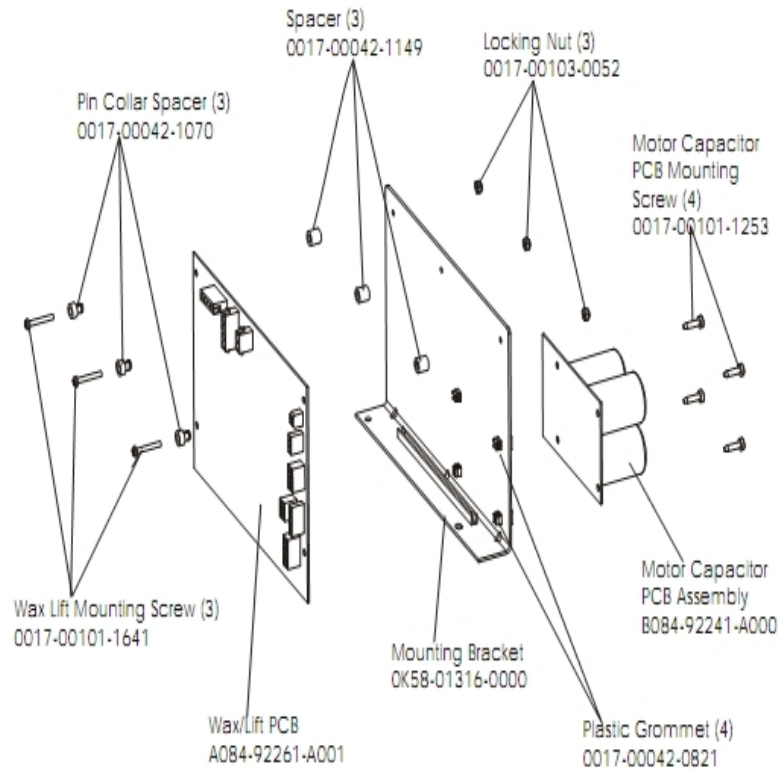
Ref #	Part Number	Qty	Description
-	0017-00009-0901	1	Tinsel Extension Spring
-	B084-92187-D000	1	Frame Tag PCB
-	OK58-01102-0001	1	Anti-Static Tinsel
-	OK58-01376-0000	2	Anti-Scuff Pad

Uprights, Handrails And Ergo Bar



Ref #	Part Number	Qty	Description
-	AK58-00032-0000	1	User Proximity Sensor Cable
-	AK58-00310-0003	1	Upright: Right
-	OK58-01396-0000	2	Endcap
-	0017-00101-1773	6	Hardware: TORX Screw 0.5"
-	0017-00104-0325	6	Hardware: Washer 0.873" OD
-	AK58-00041-0000	1	Heartrate Sensor Cable
-	0017-00101-1780	8	Hardware: Mounting Screws
-	0017-00101-1774	4	Hardware: TORX Screw 2.5"
-	OK58-01303-0002	1	Top Left Handrail Boot
-	OK58-01304-0001	1	Bottom Right Handrail Boot
-	AK58-00311-0004	1	Upright: Left
-	AK58-00219-0000	1	Ergo Bar with Heart Rate Sensors
-	AK58-00256-0001	2	Handrail
-	0017-00101-1772	2	Hardware: Phillips Pan Screw 0.5"
-	OK58-01303-0001	1	Top Right Handrail Boot
-	OK58-01347-0000	2	ErgoBar Gasket
-	0017-00101-1770	6	Hardware: Phillips Pan Screw 0.5"
-	OK58-01305-0002	4	Upright Plug
-	0017-00042-0326	2	Hardware: Plastic Grommet
-	0017-00101-1778	6	Hardware: Hex Bolt 1"
-	OK58-01302-0103	2	Cap: Upright Tube; Arctic Silver
-	0017-00103-0327	4	Hardware: Hex Nut 5/16" ID

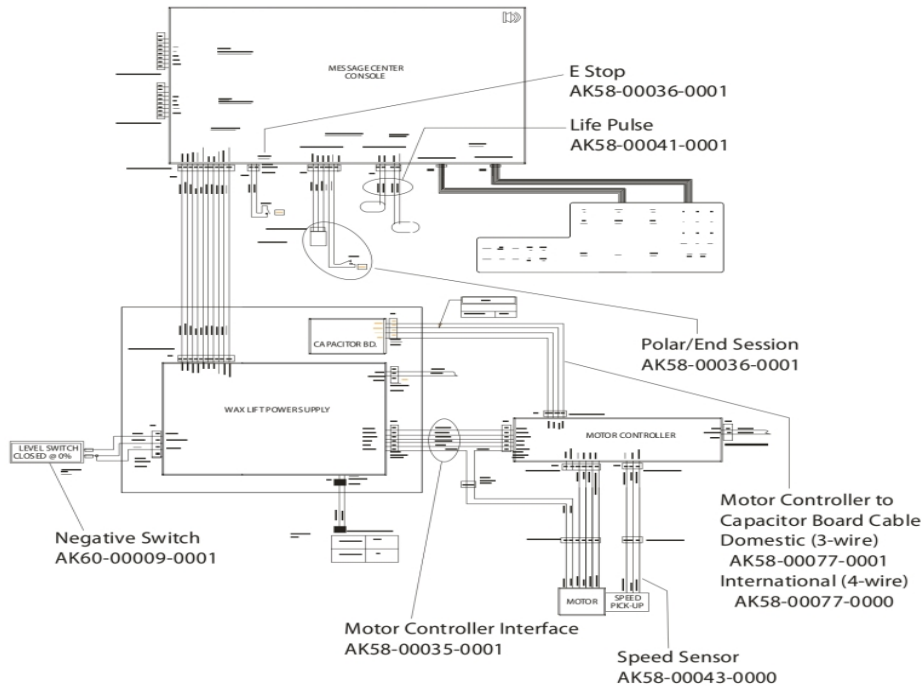
Wax/Lift Assembly



Ref #	Part Number	Qty	Description
-	0017-00103-0052	3	Hardware: Locking Nut ID
-	0017-00042-1149	3	Spacer
-	AK58-00243-0000	1	Wax/Lift Assembly
-	B084-92241-A000	1	Motor Capacitor PCB Assembly
-	0017-00042-0821	4	Hardware: Plastic Grommet
-	A084-92261-A001	1	Wax/Lift PCB
-	0017-00101-1641	3	Hardware: Phillips Pan Screw
-	0017-00101-1253	4	Hardware: Screw
-	0017-00042-1070	3	Pin Collar Spacer
-	OK58-01316-0000	1	Mounting Bracket

Wax/Lift Power Supply

For pre-wired units:
 120" Coax Cable
 AK32-00020-0002
 120" Power Extension Cable
 AK32-00078-0001



Ref #	Part Number	Qty	Description
-	AK32-00020-0002	1	Coax Cable: 120"
-	AK58-00077-0001	1	Cap Board Cable - Domestic
-	AK58-00077-0000	1	Cap Board Cable - International
-	AK58-00041-0001	1	Heart Rate Sensor Cable
-	AK58-00036-0000	1	Cable-Assembly: Emergency-Stop Switch
-	AK60-00009-0001	1	Negative Switch Cable Assembly
-	AK58-00043-0000	1	Speed Sensor Cable
-	AK58-00035-0001	1	Motor Controller Interface Cable
-	AK32-00078-0001	1	Power Extension Cable: 120"

