

95Ti Treadmill - 4HP AC - Lifepulse - Arctric Silver

95TW-0104-03

Parts Manual

1/5/2019 11:11:59 AM

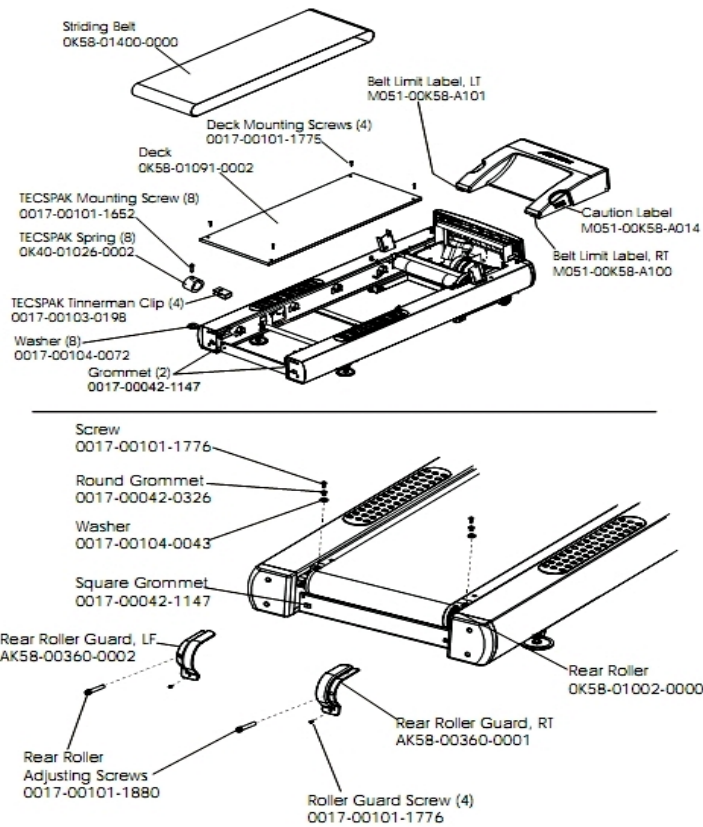


Lifefitness
WHAT WE LIVE FOR

Table of Contents

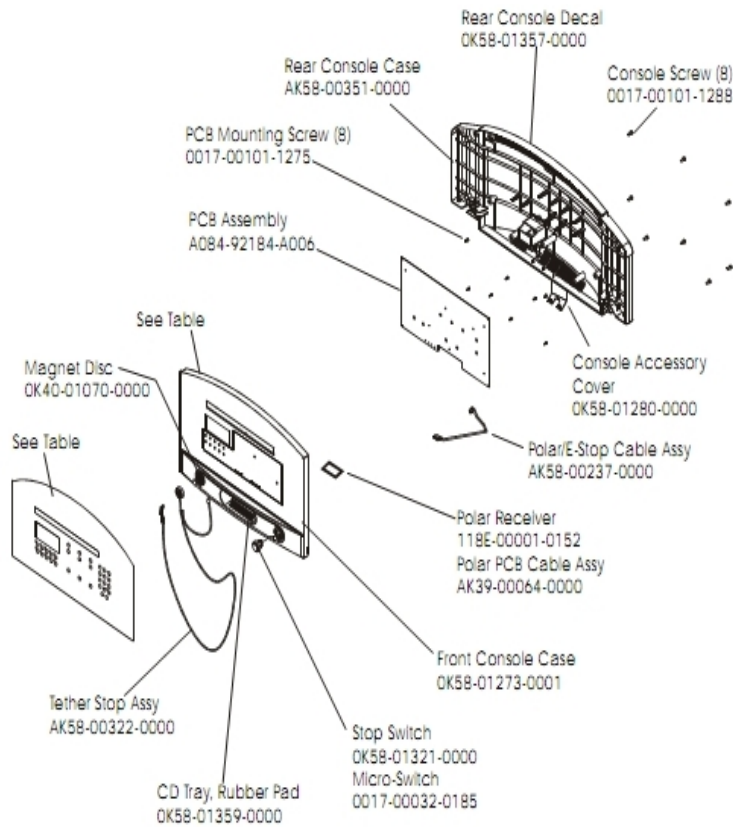
Belt, Deck, And Rear Roller.....	3
Console And Related Components.....	4
Drive Motor Assembly.....	5
Ergo Bar WithLifepulse.....	6
Front Roller.....	7
Idler Arm Assembly And Static Brush.....	8
Leveler Assembly.....	9
Lift Motor And Frame.....	10
Motor Controller Assembly.....	11
Motor Cover, Front Cover And Front End Caps.....	12
Power Components Schematic 1.....	13
Power Components Schematic 2.....	14
Rear End Caps And Cup Holders.....	15
References.....	16
Scuff Pad, Tinsel And Frame Tag Bd.....	17
Uprights, Handrails And Ergo Bar.....	18
Wax/Lift Assembly.....	19
Wax/Lift Power Supply.....	20

Belt, Deck, And Rear Roller



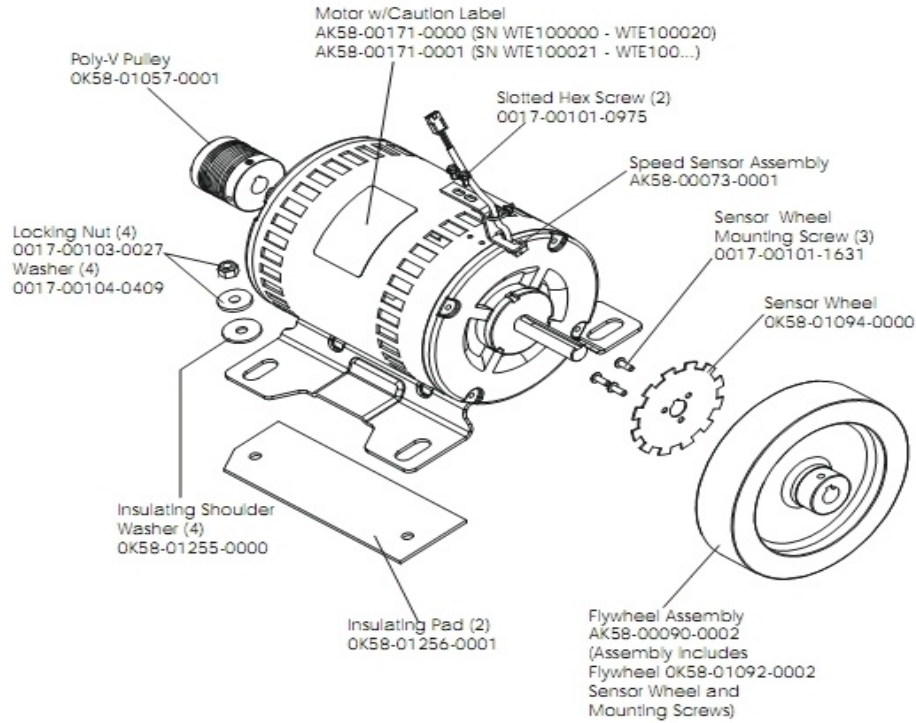
Ref #	Part Number	Qty	Description
-	0017-00103-0198	4	Hardware: Tinnerman Clip 1/4" ID
-	M051-00K58-A101	1	Belt Limit Label. Left
-	OK40-01026-0002	8	Deck Spring
-	OK65-01263-0000	1	Deck
-	AK58-00360-0001	1	Rear Roller Guard: Right
-	0017-00104-0072	8	Hardware: Flat Washer 0.562" OD
-	M051-00K58-A100	1	Label: Belt Limit: Right
-	OK58-01400-0000	1	Striding Belt
-	AK58-00360-0002	1	Rear Roller Guard: Left
-	0017-00104-0043	2	Hardware: Flat Washer 0.734" OD
-	0017-00042-0326	2	Hardware: Plastic Grommet
-	0017-00042-1147	4	Hardware: Nylon Grommet
-	0017-00101-1652	8	Hardware: Spring Mounting Screw 1"
-	0017-00101-1880	2	Hardware: Tension Bolts 3"
-	OK58-01002-0000	1	Rear Roller - 3.5"
-	M051-00K58-A014	1	Label: Caution
-	0017-00101-1776	6	Hardware: Mounting Screw 0.5"
-	0017-00101-1775	4	Hardware: Deck Screws 1.25"

Console And Related Components



Ref #	Part Number	Qty	Description
-	OK58-01298-0001	1	Console English/Metric
-	OK58-01357-0000	1	Decal
-	A084-92184-A006	1	PCB Assembly
-	AK58-00438-0001	1	Console: English/Metric
-	OK58-01273-0001	1	Front Console Case
-	118E-00001-0244	1	Heart Rate Receiver
-	AK58-00237-0000	1	Cable-Assembly: Polar/E-Stop
-	OK58-01359-0000	1	Rubber Pad
-	OK40-01070-0000	1	Magnetic Disk
-	118E-00001-0259	1	Wireless Receiver Module, Non-Coded
-	AK58-00351-0000	1	Rear Console Case
-	0017-00032-0185	1	Micro Switch 150GR
-	OK58-01280-0000	1	Accessory Cover
-	AK58-00203-0001	1	Overlay/Bezel Assembly English/Imperial
-	AK58-00322-0000	1	Tether Stop Assembly
-	0017-00101-1275	8	Hardware: Phillips Screw 0.375"
-	0017-00101-1288	8	Hardware: Phillips Screw 0.5"
-	OK58-01321-0000	1	Stop Switch

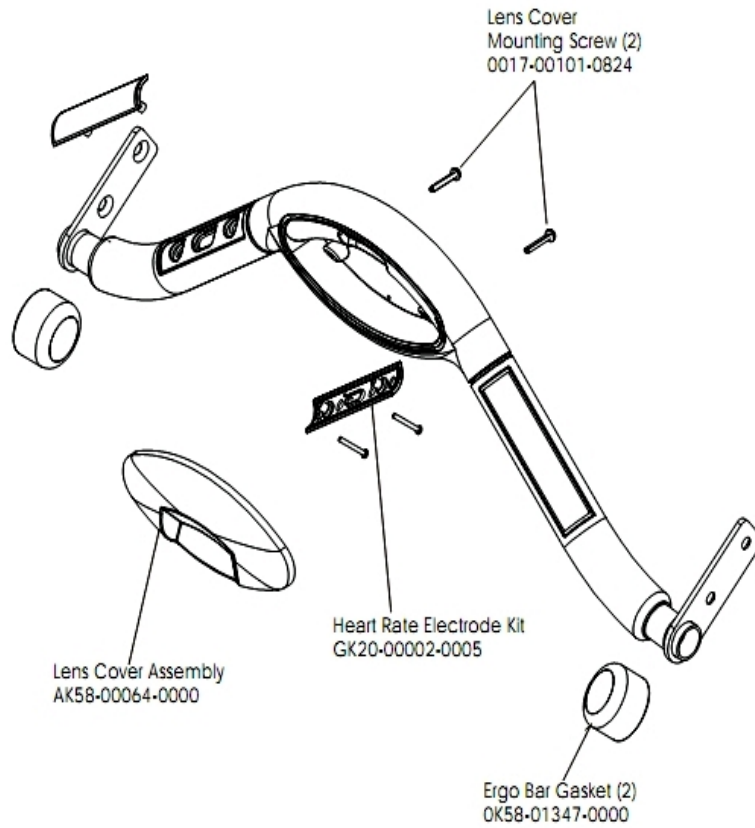
Drive Motor Assembly



Drive Motor Assembly Number	Motor Serial Number
AK58-00172-0000	WTE100000 – WTE100020
AK58-00172-0002	WTE100021 and up

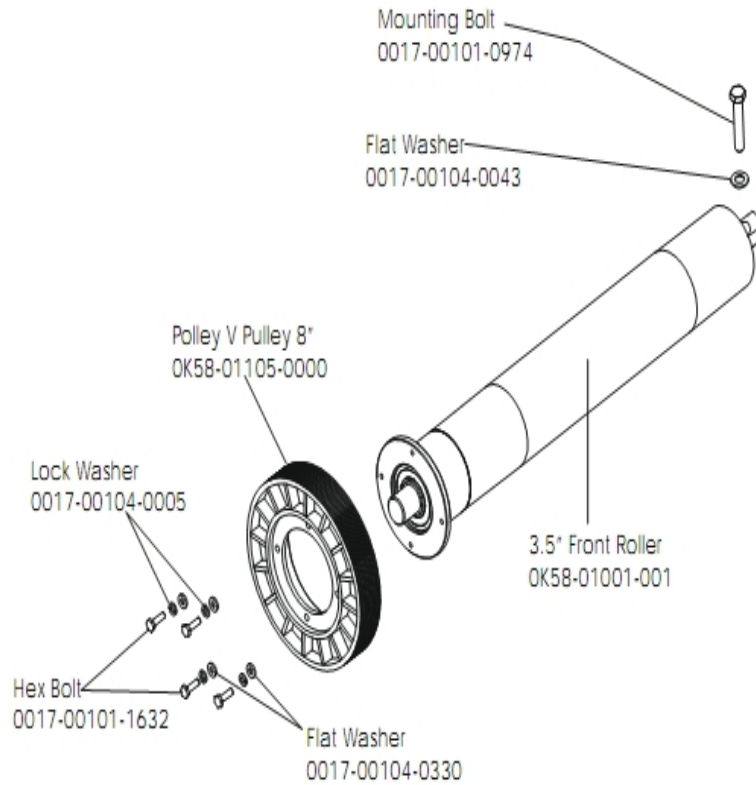
Ref #	Part Number	Qty	Description
-	AK58-00171-0001	2	Drive Motor Assembly
-	0017-00101-0975	2	Hardware: Mounting Bolt 0.375"
-	0017-00103-0027	4	Hardware: Locking Nut. 5/16" ID
-	OK58-01057-0001	1	Drive Pulley - 1.971"
-	OK58-01255-0000	4	Hardware: Insulating Washers
-	OK58-01256-0001	2	Insulating Pad
-	OK58-01094-0000	1	Sensor Wheel
-	AK58-00090-0002	1	Flywheel Assembly
-	0017-00101-1631	3	Hardware: Sensor Wheel Mounting Screw
-	0017-00104-0409	4	Hardware: Washer 1.125" OD
-	AK58-00073-0001	1	Speed Sensor Assembly

Ergo Bar WithLifepulse



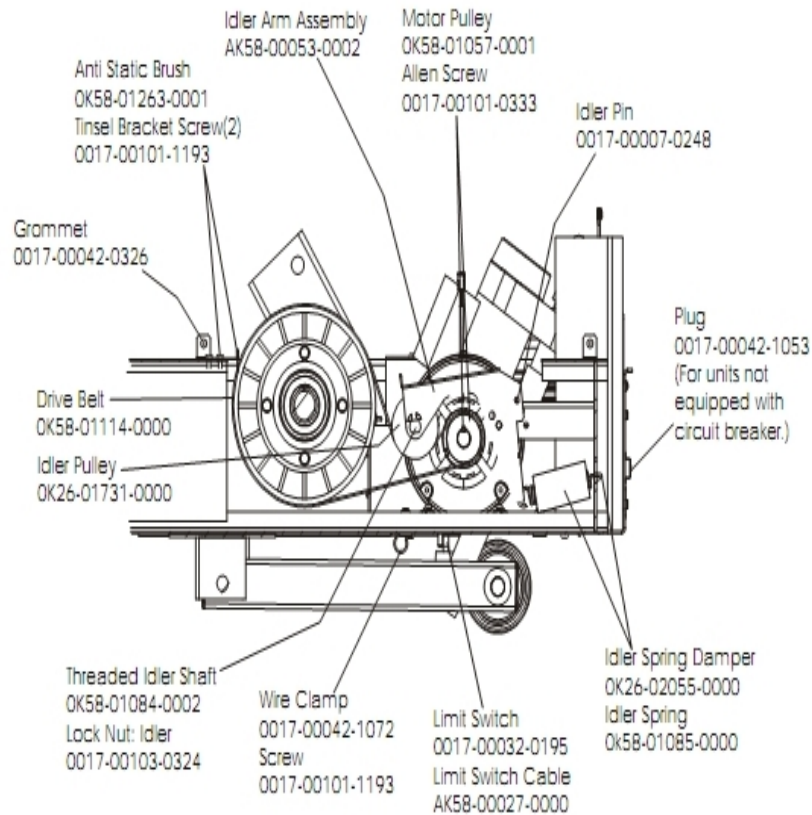
Ref #	Part Number	Qty	Description
-	AK58-00064-0000	1	I/R Lens Cover Assembly
-	0017-00101-0824	2	Hardware: Screw 1.125"
-	OK58-01347-0000	2	ErgoBar Gasket
-	GK20-00002-0005	2	Heart Rate Electrode Kit

Front Roller



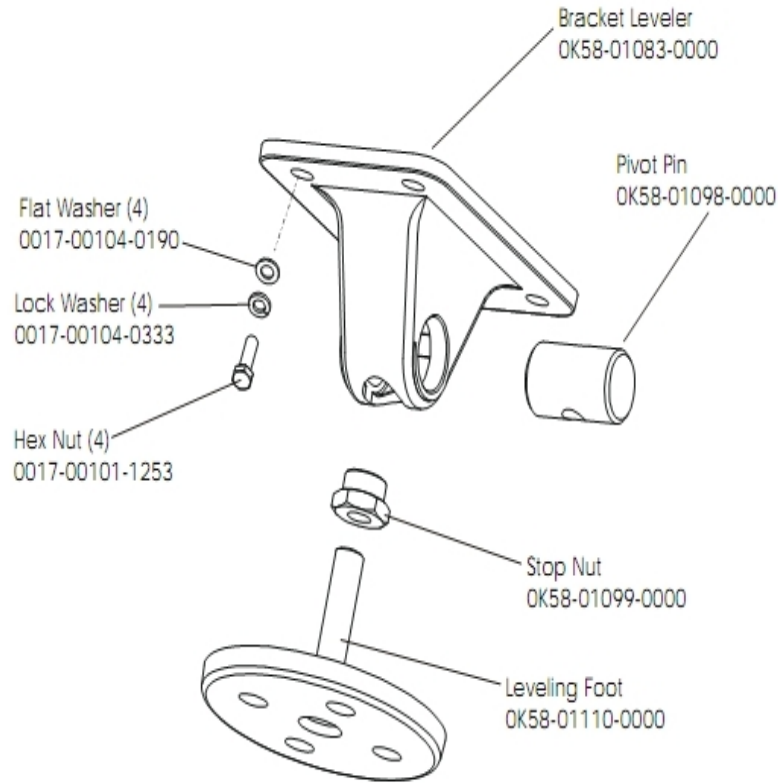
Ref #	Part Number	Qty	Description
-	0017-00101-0974	1	Hardware: Mounting Bolt 2"
-	0017-00104-0043	1	Hardware: Flat Washer 0.734" OD
-	0017-00104-0005	2	Hardware: Lock Washer 0.489" OD
-	OK58-01001-0001	1	Front Roller - 3.5"
-	OK58-01105-0000	1	Drive Pulley Poly V - 8"
-	0017-00104-0330	2	Hardware: Flat Washers 0.562" OD
-	AK58-00066-0000	1	Front Roller Assembly
-	0017-00101-1632	2	Hardware: Hex Bolt 0.875"

Idler Arm Assembly And Static Brush



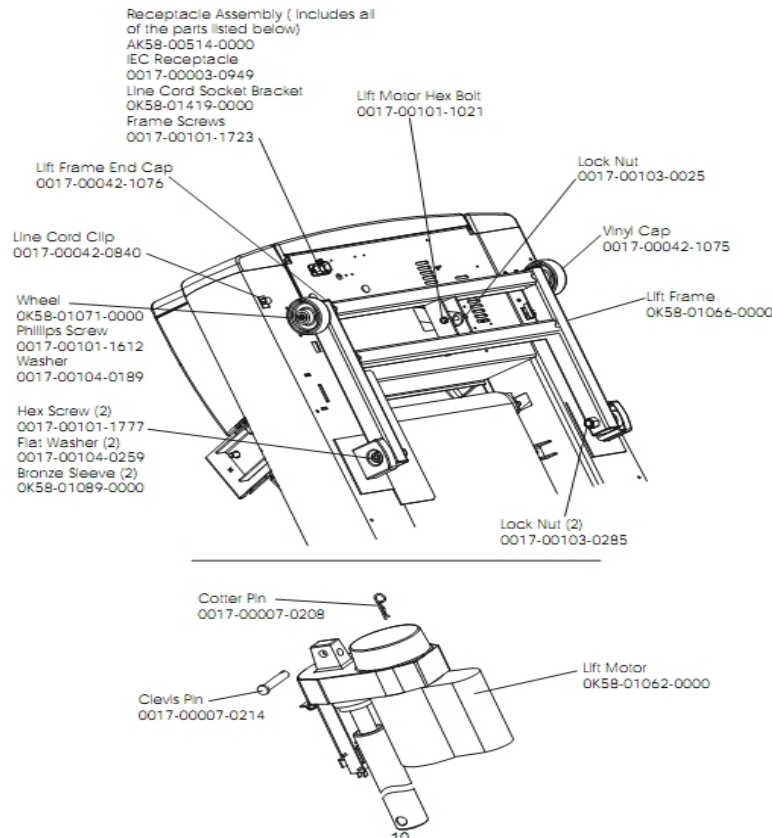
Ref #	Part Number	Qty	Description
-	OK58-01057-0001	1	Drive Pulley - 1.971"
-	AK58-00053-0002	1	Idler Arm Assembly
-	0017-00103-0324	1	Hardware: Thin Lock Nut 3/8" ID
-	AK58-00027-0000	1	Limit Switch Cable
-	OK26-01731-0000	1	Plastic Idler 2 5/8" OD
-	OK26-02055-0000	1	Spring Damper
-	0017-00032-0195	1	Home Switch
-	0017-00042-1072	1	Hardware: Wire Clamp - 5/8"
-	0017-00007-0248	1	Hardware: Locking Pin .31" D 2.125" L
-	0017-00042-0326	1	Hardware: Plastic Grommet
-	0017-00101-1193	3	Hardware: Screw 0.375"
-	OK58-01114-0000	1	Poly-V Drive Belt - 370J12
-	OK58-01084-0002	1	Threaded Shaft
-	OK58-01085-0000	1	Extension Spring
-	OK58-01263-0001	1	Tinsel Bracket
-	0017-00101-0333	1	Hardware: Screw 0.3125"
-	0017-00042-1053	1	Plug (For units not equipped with circuit breaker.)

Leveler Assembly



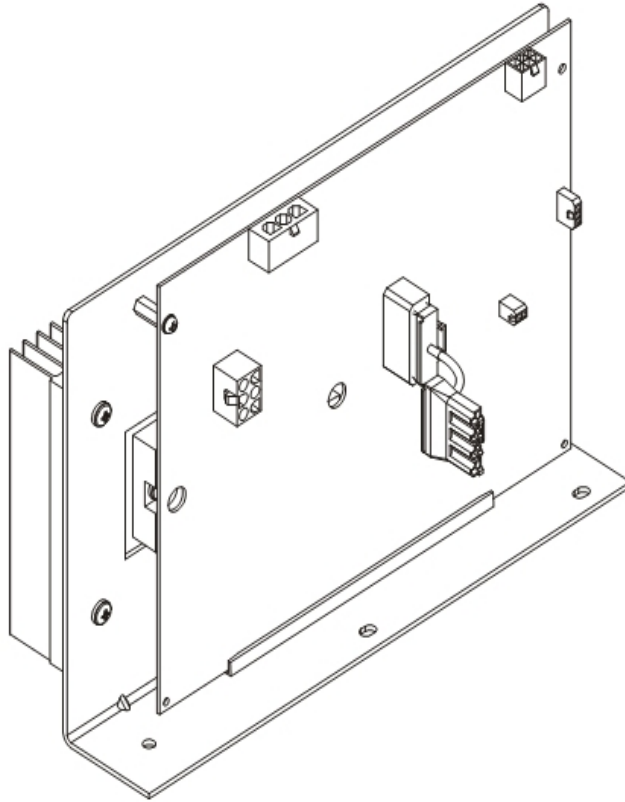
Ref #	Part Number	Qty	Description
-	OK58-01098-0000	1	Hardware: Pivot Pin
-	OK58-01099-0000	1	Hardware: Stop Nut
-	OK58-01083-0000	1	Leveler Bracket
-	0017-00104-0190	4	Hardware: Flat Washer 0.734" OD
-	AK58-00370-0000	1	Leveler Assembly
-	OK58-01110-0000	1	Leveler Foot
-	0017-00104-0333	4	Hardware: Washer 0.683" OD
-	0017-00101-1253	4	Hardware: Screw

Lift Motor And Frame



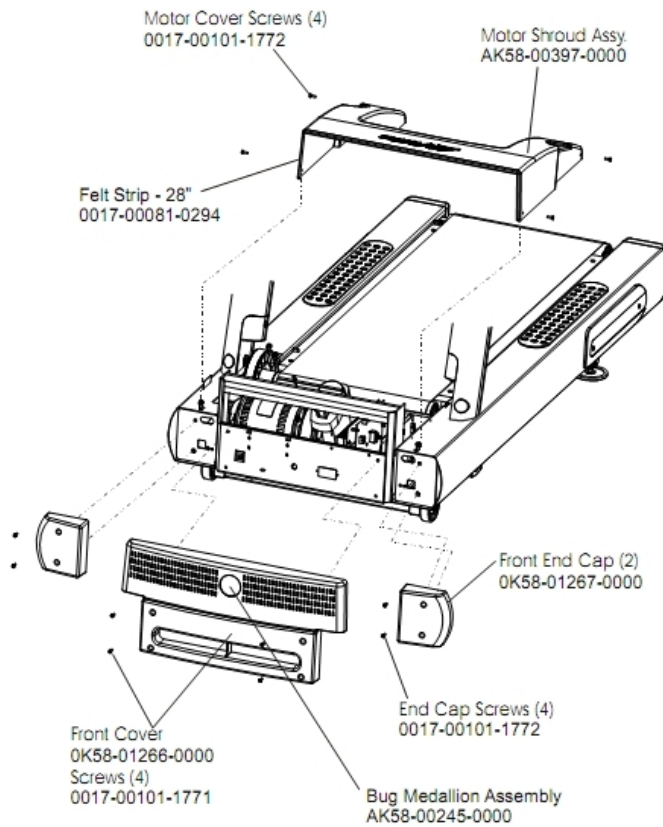
Ref #	Part Number	Qty	Description
-	0017-00042-1076	1	Lift Frame End Cap
-	0017-00103-0285	2	Hardware: Nut 5/8" ID
-	0017-00007-0208	1	Hardware: Cotter Pin
-	0017-00101-1777	2	Hardware: Lift Frame Mounting Bolt 2.75"
-	0017-00104-0189	2	Hardware: Flat Washer 1" OD
-	OK58-01419-0000	1	Line Cord Socket Bracket
-	0017-00101-1723	2	Hardware: Phillips Pan Screw 0.375"
-	AK58-00514-0000	1	Receptacle Assembly
-	0017-00003-0949	1	IEC Receptacle
-	0017-00101-1021	1	Hardware: Lift Motor Hex Bolt 2.5"
-	0017-00103-0025	1	Hardware: Locking Nut 3/8" ID
-	AK58-00220-0000	1	LIFT-FRAME ASSY: MFG. C
-	OK58-01062-0000	1	Lift Motor - 120/60
-	OK58-01089-0000	2	Bronze Sleeve Bushings
-	0017-00042-0840	1	Hardware: Push Mount Clip
-	OK58-01071-0000	2	Wheel
-	0017-00101-1612	1	Hardware: Phillips Screw 0.5"
-	0017-00042-1075	1	Vinyl Cap
-	0017-00104-0259	2	Hardware: Washer 1.331" OD
-	0017-00007-0214	1	Hardware: Clevis Pin 3/8" D 1.75" L

Motor Controller Assembly



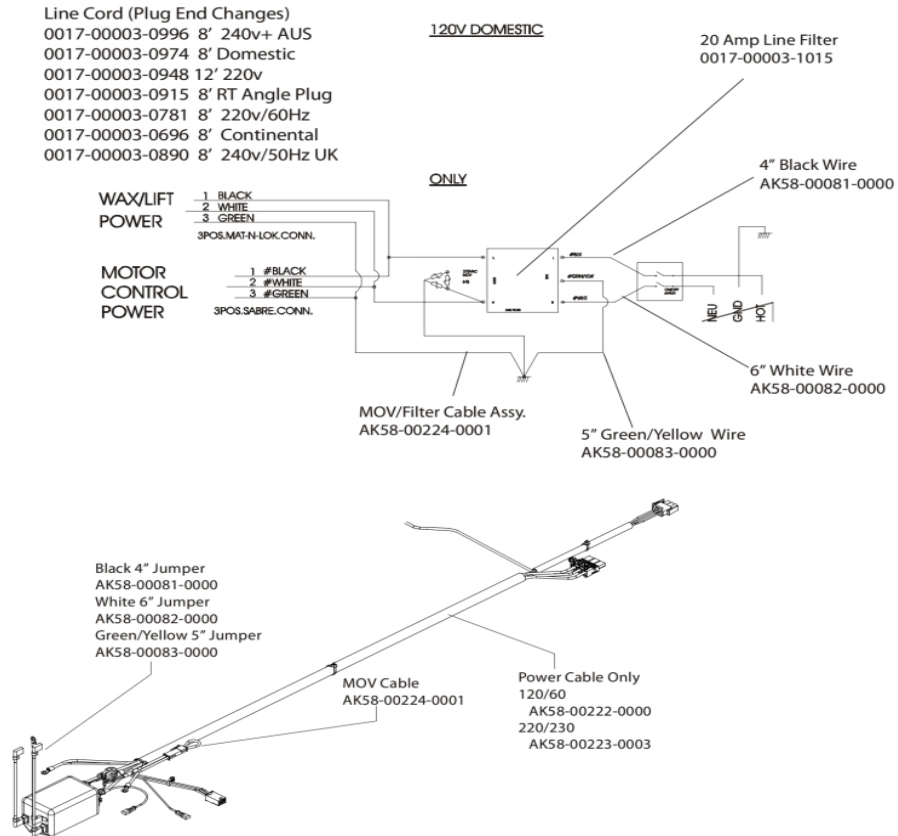
Ref #	Part Number	Qty	Description
-	AK60-00171-0001	1	
-	AK60-00171-0001	1	
-	AK60-00171-0001	1	
-	AK60-00171-0001	1	
-	GK65-00002-0019	1	Motor Controller Assembly (200-240V)

Motor Cover, Front Cover And Front End Caps



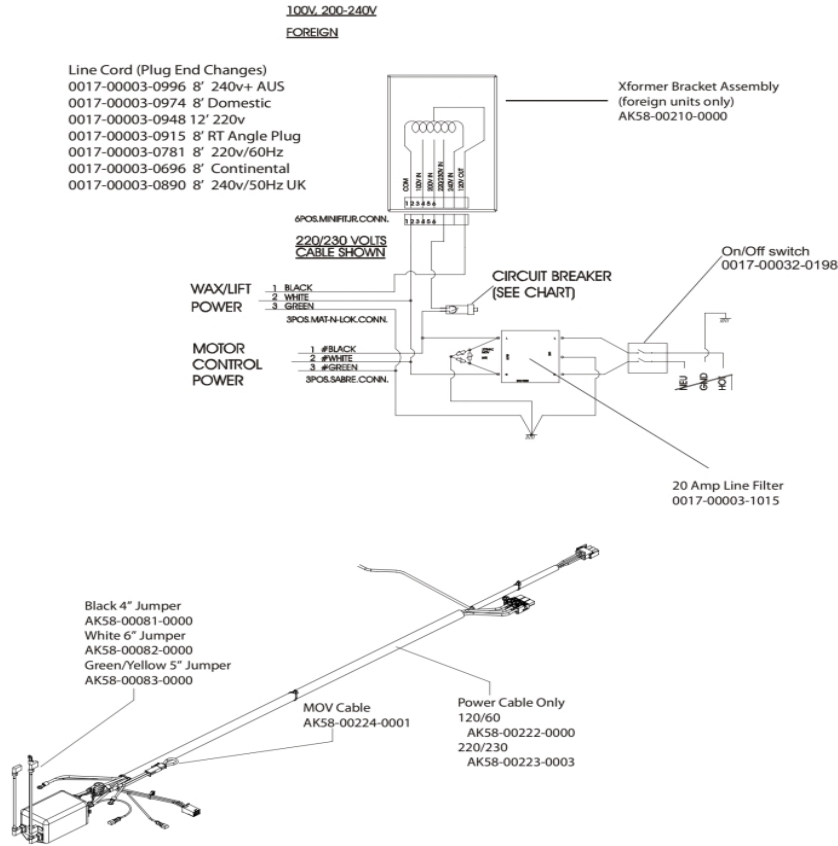
Ref #	Part Number	Qty	Description
-	0017-00081-0294	1	Felt Strip - 28"
-	0K58-01267-0000	2	End Cap
-	0017-00101-1771	4	Hardware: Phillips Pan Screw
-	AK58-00245-0000	1	Bug Medallion
-	0017-00101-1772	8	Hardware: Phillips Pan Screw 0.5"
-	AK58-00397-0000	1	Motor Shroud
-	0K58-01266-0000	1	Front Cover

Power Components Schematic 1



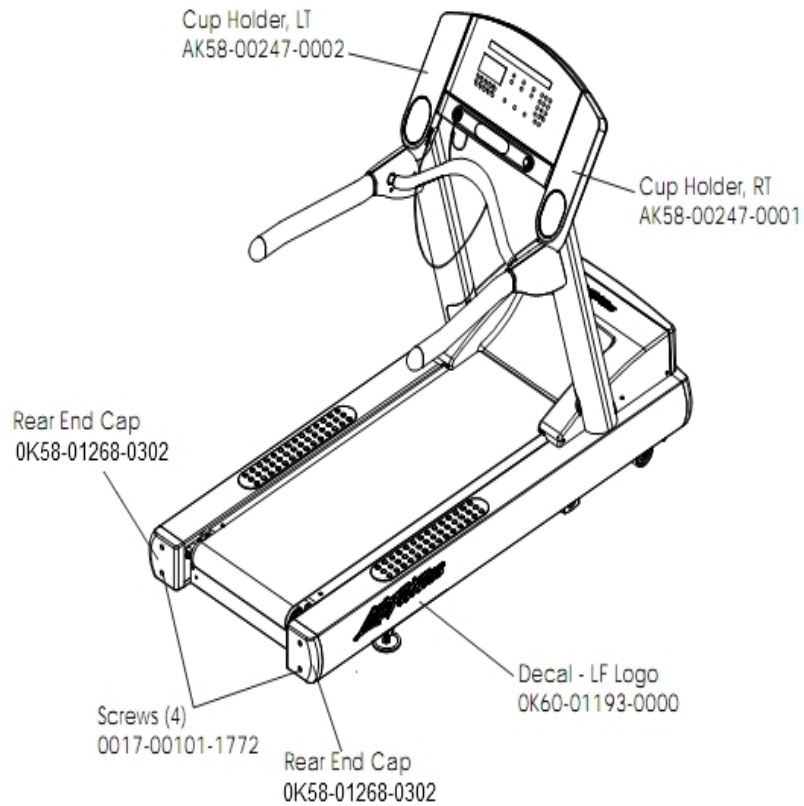
Ref #	Part Number	Qty	Description
-	AK58-00222-0000	1	Power Cable Assembly 120V
-	AK58-00081-0000	1	Jumper Cable Assembly: Black - 4"
-	0017-00003-1015	2	20 amp Line Filter (DOM)
-	0017-00032-0198	1	On/Off Switch 22A
-	AK58-00210-0000	1	Transformer-Bracket Assembly
-	AK58-00083-0000	1	Cable Assembly
-	AK58-00224-0001	1	Cable: MOV; Fliter
-	0017-00003-0947	2	Line Cord: 120V; 20A; 12'
-	AK58-00082-0000	1	Jumper Cable Assembly: White - 6"
-	0017-00003-0915	1	Line Cord RT Angle Plug
-	0017-00003-0996	1	Line Cord: Australia 230/50

Power Components Schematic 2



Ref #	Part Number	Qty	Description
-	0017-00003-0948	2	12' 220v Line Cord
-	AK58-00265-0005	2	Harness Assembly: 240V+
-	AK58-00222-0000	1	Power Cable Assembly 120V
-	AK58-00081-0000	1	Jumper Cable Assembly: Black - 4"
-	0017-00003-1015	2	20 amp Line Filter (DOM)
-	0017-00003-0996	1	Line Cord: Australia 230/50
-	AK58-00223-0004	2	Power Cable Assembly 240V
-	AK58-00224-0001	1	Cable: MOV; Fliter
-	AK58-00082-0000	1	Jumper Cable Assembly: White - 6"
-	0017-00003-0915	1	Line Cord RT Angle Plug
-	AK58-00083-0000	1	Cable Assembly

Rear End Caps And Cup Holders

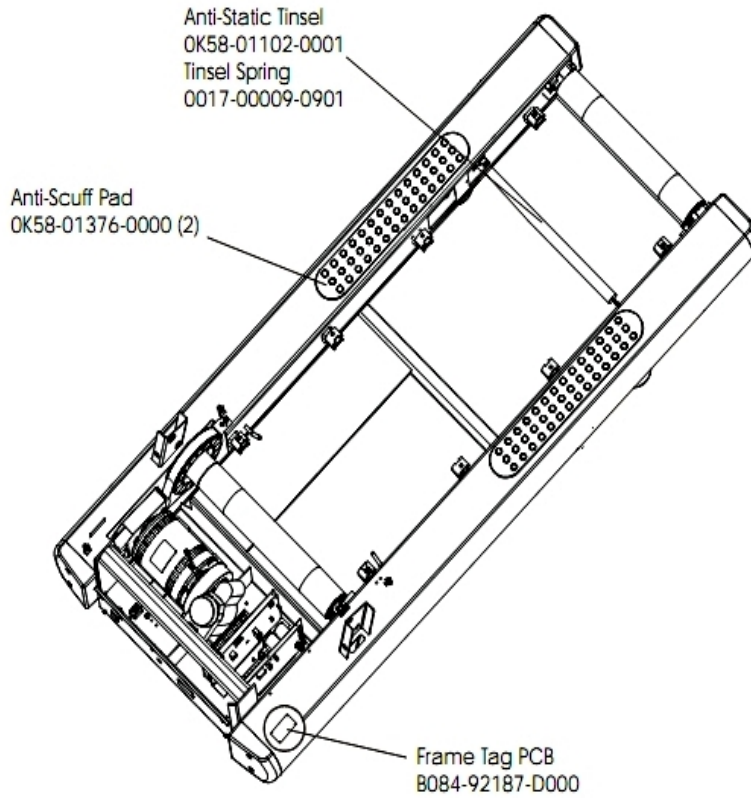


Ref #	Part Number	Qty	Description
-	0017-00101-1772	4	Hardware: Phillips Pan Screw 0.5"
-	OK60-01193-0000	1	Decal: LF Logo
-	AK58-00247-0001	1	Cup Holder Right
-	OK58-01268-0302	2	ENDCAP: REAR; STEALTH D
-	AK58-00247-0002	1	Cup Holder Left

References

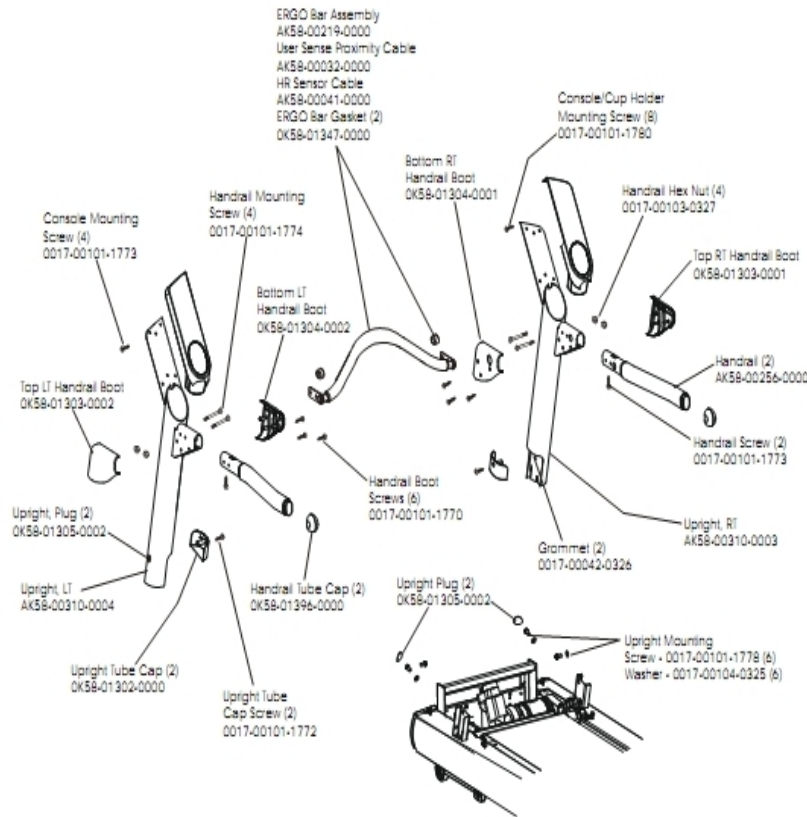
Ref #	Part Number	Qty	Description
-	0017-00008-0206	1	.33oz Pen - Arctic Silver
-	0017-00008-0204	1	Paint Spray Can - Arctic Silver
-	AK32-00078-0001	1	Power Extension Cable: 120"
-	0017-00021-2846	1	F-Type Panel Connector
-	M051-00K58-A161	1	Service Video
-	M051-00K58-A160	1	Installation Video
-	AK58-00329-0000	1	Access Panel Assembly
-	AK58-00226-0000	1	Hardware Bag
-	0K58-01392-0000	1	Plate: Connector
-	AK32-00020-0002	1	Coax Cable: 120"
-	0017-00008-0205	1	5 oz Bottle - Arctic Silver

Scuff Pad, Tinsel And Frame Tag Bd.



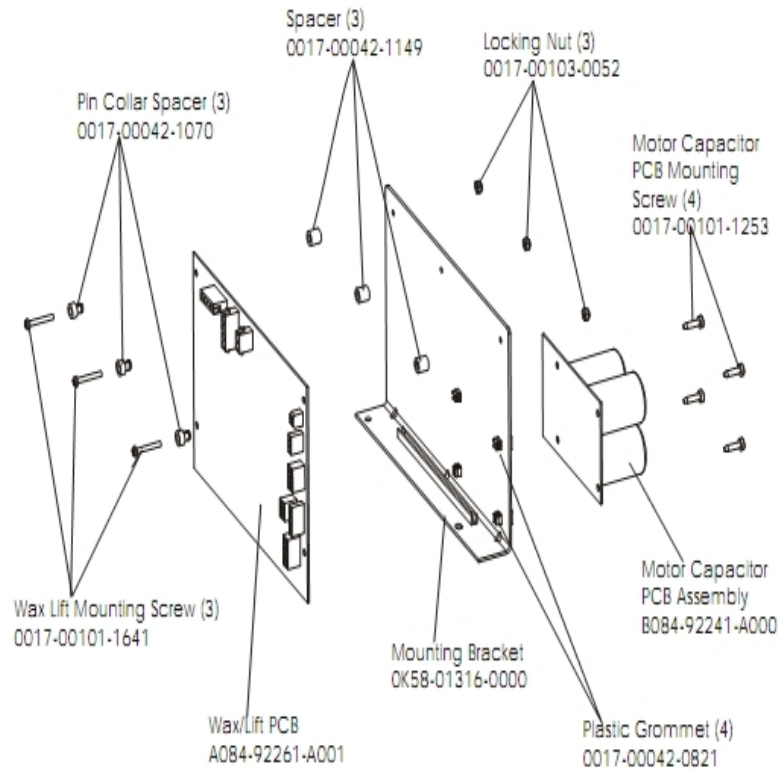
Ref #	Part Number	Qty	Description
-	OK58-01376-0000	2	Anti-Scuff Pad
-	B084-92187-D000	1	Frame Tag PCB
-	0017-00009-0901	1	Tinsel Extension Spring
-	OK58-01102-0001	1	Anti-Static Tinsel

Uprights, Handrails And Ergo Bar



Ref #	Part Number	Qty	Description
-	OK58-01303-0002	1	Top Left Handrail Boot
-	OK58-01304-0001	1	Bottom Right Handrail Boot
-	AK58-00041-0000	1	Heartrate Sensor Cable
-	0017-00101-1780	8	Hardware: Mounting Screws
-	0017-00101-1774	4	Hardware: TORX Screw 2.5"
-	0017-00101-1773	6	Hardware: TORX Screw 0.5"
-	AK58-00310-0003	1	Upright: Right
-	0017-00101-1778	6	Hardware: Hex Bolt 1"
-	AK58-00311-0004	1	Upright: Left
-	AK58-00256-0001	2	Handrail
-	AK58-00032-0000	1	User Proximity Sensor Cable
-	OK58-01305-0002	4	Upright Plug
-	OK58-01302-0103	2	Cap: Upright Tube; Arctic Silver
-	0017-00103-0327	4	Hardware: Hex Nut 5/16" ID
-	0017-00042-0326	2	Hardware: Plastic Grommet
-	0017-00104-0325	6	Hardware: Washer 0.873" OD
-	0017-00101-1770	6	Hardware: Phillips Pan Screw 0.5"
-	OK58-01347-0000	2	ErgoBar Gasket
-	OK58-01303-0001	1	Top Right Handrail Boot
-	OK58-01396-0000	2	Endcap
-	AK58-00219-0000	1	Ergo Bar with Heart Rate Sensors
-	0017-00101-1772	2	Hardware: Phillips Pan Screw 0.5"

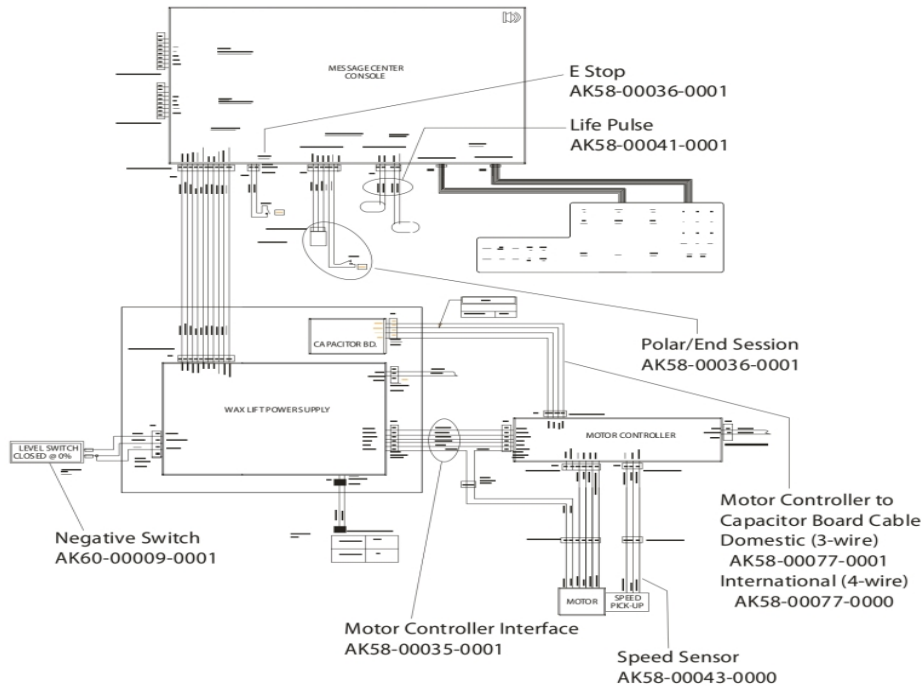
Wax/Lift Assembly



Ref #	Part Number	Qty	Description
-	0017-00101-1641	3	Hardware: Phillips Pan Screw
-	B084-92241-A000	1	Motor Capacitor PCB Assembly
-	0017-00042-1070	3	Pin Collar Spacer
-	0017-00042-0821	4	Hardware: Plastic Grommet
-	A084-92261-A001	1	Wax/Lift PCB
-	0K58-01316-0000	1	Mounting Bracket
-	0017-00101-1253	4	Hardware: Screw
-	AK58-00243-0000	1	Wax/Lift Assembly
-	0017-00042-1149	3	Spacer
-	0017-00103-0052	3	Hardware: Locking Nut ID

Wax/Lift Power Supply

For pre-wired units:
120" Coax Cable
AK32-00020-0002
120" Power Extension Cable
AK32-00078-0001



Ref #	Part Number	Qty	Description
-	AK32-00020-0002	1	Coax Cable: 120"
-	AK58-00043-0000	1	Speed Sensor Cable
-	AK58-00077-0000	1	Cap Board Cable - International
-	AK58-00035-0001	1	Motor Controller Interface Cable
-	AK32-00078-0001	1	Power Extension Cable: 120"
-	AK58-00036-0000	1	Cable-Assembly: Emergency-Stop Switch
-	AK58-00041-0001	1	Heart Rate Sensor Cable
-	AK60-00009-0001	1	Negative Switch Cable Assembly
-	AK58-00077-0001	1	Cap Board Cable - Domestic

