

95Ti Treadmill w/EZ TV Console- 4HP AC - Heart Rate

95TWEZ-0104-07

Parts Manual

1/5/2019 11:14:51 AM



LifeFitness
WHAT WE LIVE FOR

Table of Contents

Assemblies.....	3
A-Z Module With Overlay.....	5
Belt, Deck, And Rear Roller.....	6
Cables.....	7
Console And Overlay.....	9
Console Components.....	10
Drive Motor Assembly.....	11
DSP - Controller.....	12
Ergo Bar, Heart Rate Sensors And Activity Zone.....	13
Front Roller.....	14
Idler Arm.....	15
Leg Leveler Assembly.....	16
Lift Frame, Lift Motor, And IEC Receptacle.....	17
Line Cords And Line Cord Options.....	18
Motor Cover, Front Cover And Front End Caps.....	19
On-Off Switch, Access Plate And Grommets.....	20
Rear End Caps And Up Holders.....	21
Scuff Pad And Tinsel.....	22
Stride Sensor And Stride Sensor Pcb.....	23
Uprights And Handrails.....	24

Assemblies

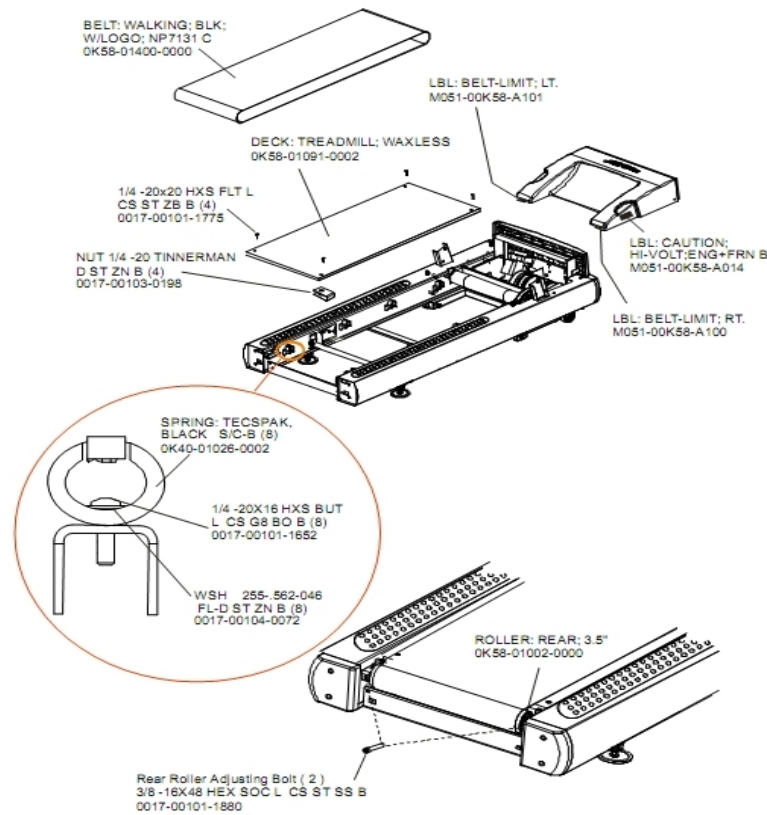
Ref #	Part Number	Qty	Description
-	0017-00009-1049	1	Torx Wrench
-	0017-00101-1773	6	Hardware: TORX Screw 0.5"
-	AK58-00226-0000	1	Hardware Bag
-	AK58-00360-0001	1	Rear Roller Guard: Right
-	GK58-00002-0095	1	Roller Guard kit
-	0017-00008-0204	1	Paint Spray Can - Arctic Silver
-	0017-00042-0840	5	Hardware: Push Mount Clip
-	0017-00101-1770	6	Hardware: Phillips Pan Screw 0.5"
-	0K58-01376-0000	2	Anti-Scuff Pad
-	0017-00101-1772	6	Hardware: Phillips Pan Screw 0.5"
-	0K58-01347-0000	2	ErgoBar Gasket
-	AK58-00360-0002	1	Rear Roller Guard: Left
-	0017-00101-1778	4	Hardware: Hex Bolt 1"
-	0017-00008-0206	1	.33oz Pen - Arctic Silver
-	0017-00042-0326	4	Hardware: Plastic Grommet
-	0017-00042-1147	2	Hardware: Nylon Grommet
-	0K58-01305-0002	2	Upright Plug
-	0017-00008-0211	1	Paint: Shadow-Gray Touch Up: .6 OZ Bottle
-	0017-00101-1774	4	Hardware: TORX Screw 2.5"
-	0017-00101-1780	8	Hardware: Mounting Screws
-	GK58-00002-0071	1	Anti-Slip Rail
-	0017-00008-0210	1	Paint: Shadow-Gray Touch Up: .6 OZ Bottle

Ref #	Part Number	Qty	Description
-	0017-00101-1776	4	Hardware: Mounting Screw 0.5"
-	0017-00104-0325	4	Hardware: Washer 0.873" OD
-	0017-00008-0205	1	5 oz Bottle - Arctic Silver
-	M051-00K58-B128	1	Service Instructions - Roller Guards

A-Z Module With Overlay

Ref #	Part Number	Qty	Description
-	AK58-00555-0002	1	Activity Zone Assembly: English/Metric
-	0K58-01459-0002	1	Activity Zone Overlay English/Metric

Belt, Deck, And Rear Roller



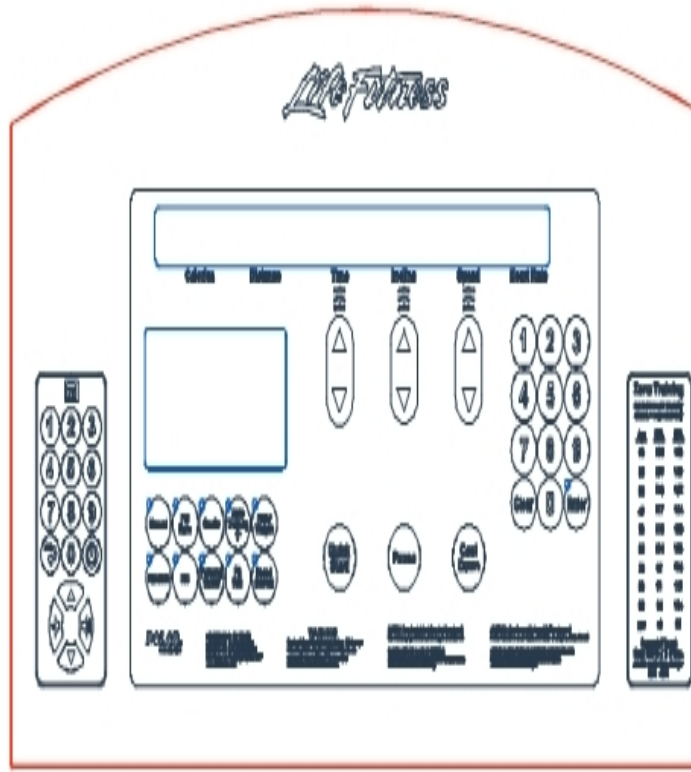
Ref #	Part Number	Qty	Description
-	0017-00103-0198	4	Hardware: Tinnerman Clip 1/4" ID
-	0017-00101-1775	4	Hardware: Deck Screws 1.25"
-	0K40-01026-0002	8	Deck Spring
-	0K65-01263-0000	1	Deck
-	0017-00104-0072	8	Hardware: Flat Washer 0.562" OD
-	M051-00K58-A101	1	Belt Limit Label. Left
-	0K58-01400-0000	1	Striding Belt
-	0K58-01002-0000	1	Rear Roller - 3.5"
-	M051-00K58-A014	1	Label: Caution
-	0017-00101-1652	8	Hardware: Spring Mounting Screw 1"
-	0017-00101-1880	2	Hardware: Tension Bolts 3"
-	M051-00K58-A100	1	Label: Belt Limit: Right

Cables

Ref #	Part Number	Qty	Description
-	AK58-00522-0000	1	Cable: Jumper; Power; LED Console
-	AK32-00078-0001	1	Power Extension Cable: 120"
-	AK58-00237-0000	1	Cable-Assembly: Polar/E-Stop
-	AK58-00596-0001	1	Power Cable: 230-240V
-	AK58-00597-0000	1	Cable Extension ISO Sensor
-	AK58-00083-0000	1	Cable Assembly
-	AK58-00034-0001	1	Console Power Cable
-	AK58-00027-0000	1	Limit Switch Cable
-	AK58-00081-0000	1	Jumper Cable Assembly: Black - 4"
-	AK58-00263-0000	1	Hi-Pot Jumper Cable
-	AK32-00020-0002	1	Coax Cable: 120"
-	AK58-00082-0000	1	Jumper Cable Assembly: White - 6"
-	AK58-00598-0000	1	Cable: ISO Power
-	AK58-00210-0000	1	Transformer-Bracket Assembly
-	AK58-00032-0000	1	User Proximity Sensor Cable
-	0017-00003-1015	1	20 amp Line Filter (DOM)
-	AK58-00041-0001	1	Heart Rate Sensor Cable
-	AK58-00524-0000	1	Cable: Thermal Adapter
-	AK32-00147-0001	1	Cable Headphone Assembly - C-Safe
-	0017-00003-0626	1	CIRCUIT-BREAKER:2A 200-240V
-	AK58-00036-0000	1	Cable-Assembly: Emergency-Stop Switch
-	AK58-00083-0001	1	Jumper Cable Assembly: Green/Yellow - 7"

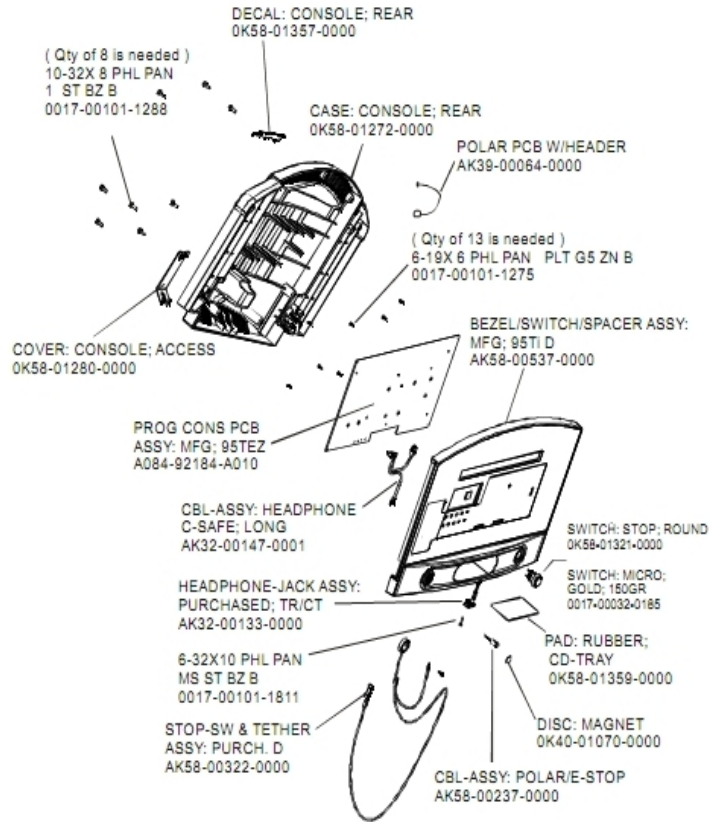
Ref #	Part Number	Qty	Description
-	AK58-00224-0001	1	Cable: MOV; Fliter

Console And Overlay



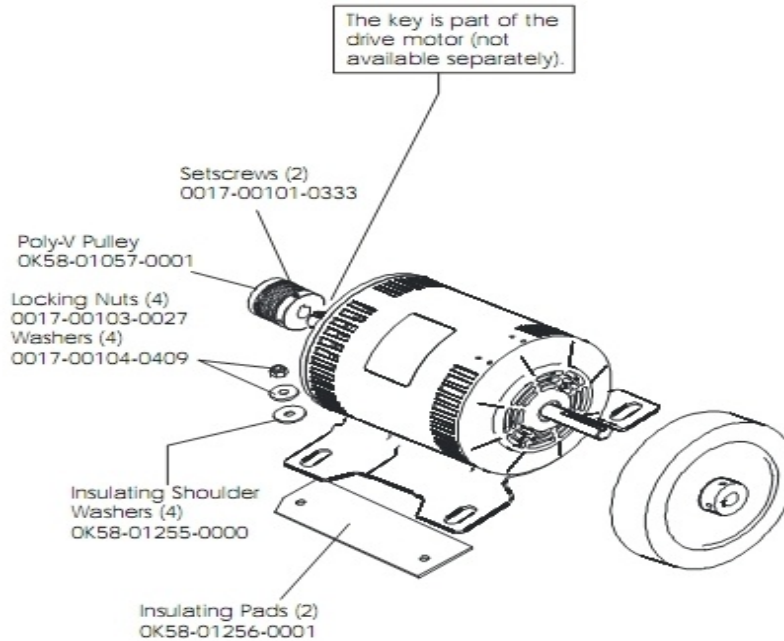
Ref #	Part Number	Qty	Description
-	AK58-00548-0002	1	Bezel Switch with Overlay: English/Metric
-	AK58-00591-0002	1	Console: English/Metric

Console Components



Ref #	Part Number	Qty	Description
-	0017-00101-1288	8	Hardware: Phillips Screw 0.5"
-	0017-00101-1275	13	Hardware: Phillips Screw 0.375"
-	AK58-00537-0000	1	Bezel Switch/Spacer
-	AK58-00322-0000	1	Tether Stop Assembly
-	A084-92184-A010	1	PCB Assembly
-	0K58-01272-0000	1	Rear Console Case
-	0K58-01280-0000	1	Accessory Cover
-	0017-00032-0185	1	Micro Switch 150GR
-	AK32-00147-0001	1	Cable Headphone Assembly - C-Safe
-	118E-00001-0259	1	Wireless Receiver Module, Non-Coded
-	0K40-01070-0000	1	Magnetic Disk
-	0K58-01359-0000	1	Rubber Pad
-	AK58-00237-0000	1	Cable-Assembly: Polar/E-Stop
-	AK32-00133-0000	1	Headphone Jack Assembly
-	0K58-01321-0000	1	Stop Switch
-	0K58-01357-0000	1	Decal
-	0017-00101-1811	1	Hardware: Phillips Pan Screw 0.625"

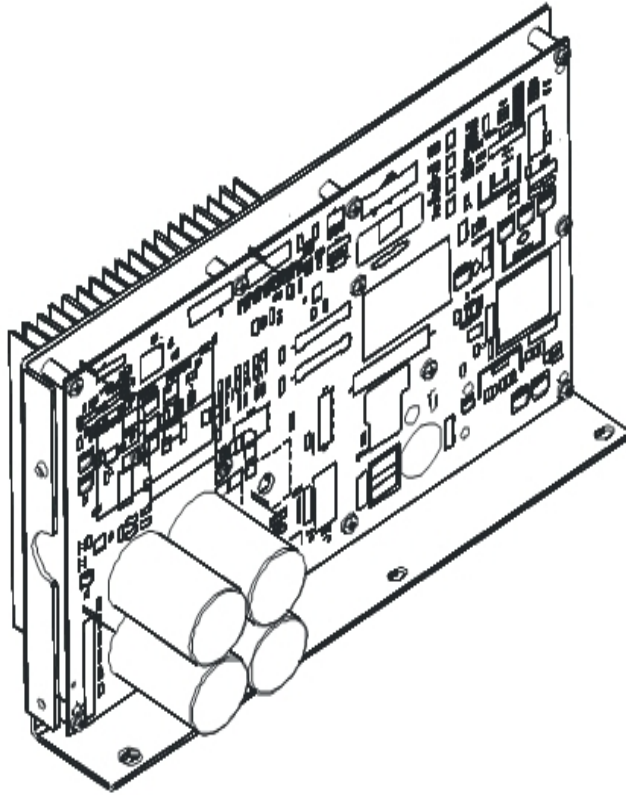
Drive Motor Assembly



Description	Part Nos.	
	S/N TSS100000—TSS102326	S/N TSS102327 and up
Drive Motor Assembly	AK58-00171-0001 (dual cable)	AK58-00171-0002 (tapered shaft)
Cast Iron Flywheel	OK58-01092-0002	OK58-01092-0004
Drive Motor Setscrews/Bolt	0017-00101-0975 (uses setscrews)	0017-00101-1885 (uses bolt)

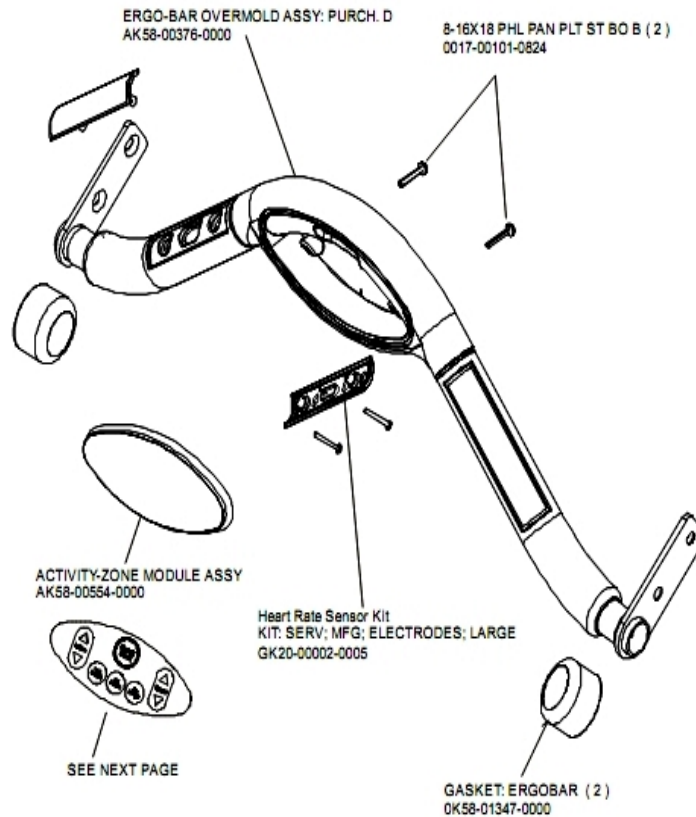
Ref #	Part Number	Qty	Description
-	OK58-01256-0001	2	Insulating Pad
-	0017-00104-0409	4	Hardware: Washer 1.125" OD
-	0017-00101-0333	2	Hardware: Screw 0.3125"
-	OK58-01255-0000	4	Hardware: Insulating Washers
-	OK58-01057-0001	1	Drive Pulley - 1.971"
-	0017-00103-0027	4	Hardware: Locking Nut. 5/16" ID

DSP - Controller



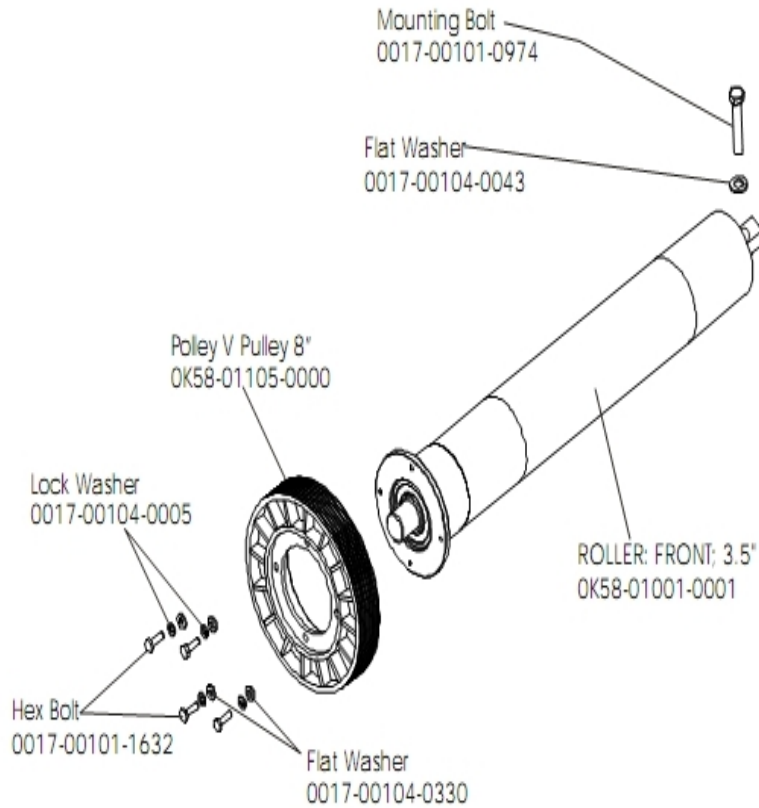
Ref #	Part Number	Qty	Description
-	GK58-00002-0120	1	Display Controller 200-240; LED
-	GK58-00002-0120	1	Display Controller 200-240; LED
-	GK58-00002-0120	1	Display Controller 200-240; LED
-	GK58-00002-0120	1	Display Controller 200-240; LED

Ergo Bar, Heart Rate Sensors And Activity Zone



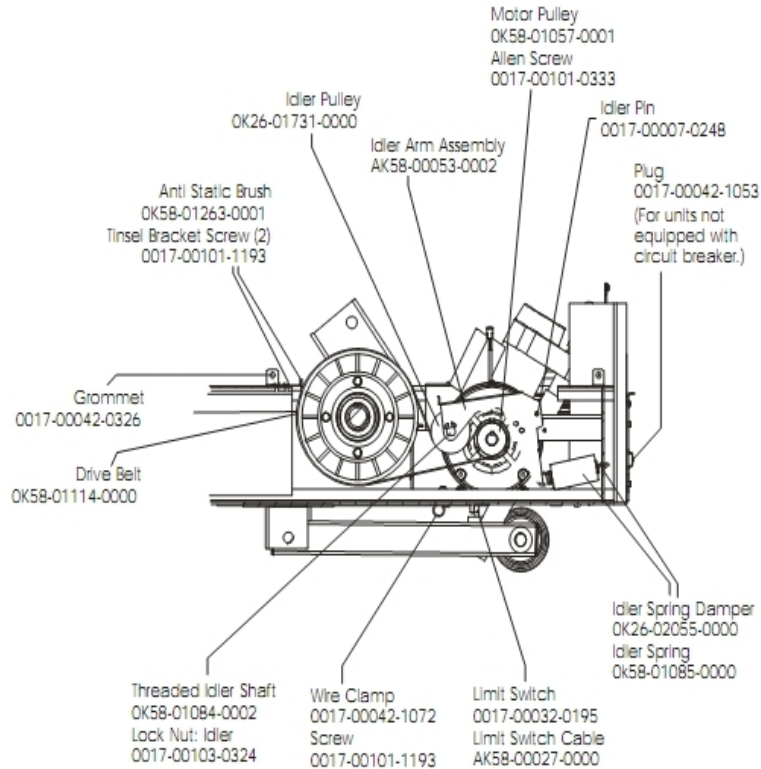
Ref #	Part Number	Qty	Description
-	AK58-00554-0201	1	Activity-Zone Module Assembly: Purchased; Generic Shadow Grey
-	GK20-00002-0005	2	Heart Rate Electrode Kit
-	0017-00101-0824	2	Hardware: Screw 1.125"
-	AK58-00376-0001	1	Ergo-Bar Overmold Assembly
-	OK58-01347-0000	2	ErgoBar Gasket

Front Roller



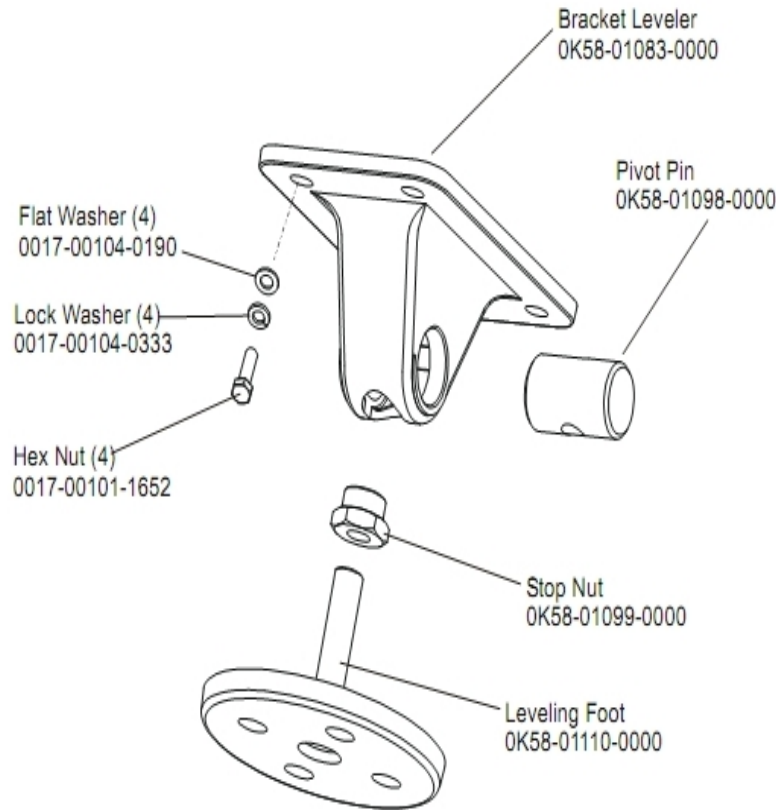
Ref #	Part Number	Qty	Description
-	0017-00101-0974	1	Hardware: Mounting Bolt 2"
-	0017-00104-0043	1	Hardware: Flat Washer 0.734" OD
-	0017-00104-0005	2	Hardware: Lock Washer 0.489" OD
-	OK58-01001-0001	1	Front Roller - 3.5"
-	AK58-00066-0000	1	Front Roller Assembly
-	0017-00101-1632	2	Hardware: Hex Bolt 0.875"
-	OK58-01105-0000	1	Drive Pulley Poly V - 8"
-	0017-00104-0330	2	Hardware: Flat Washers 0.562" OD

Idler Arm



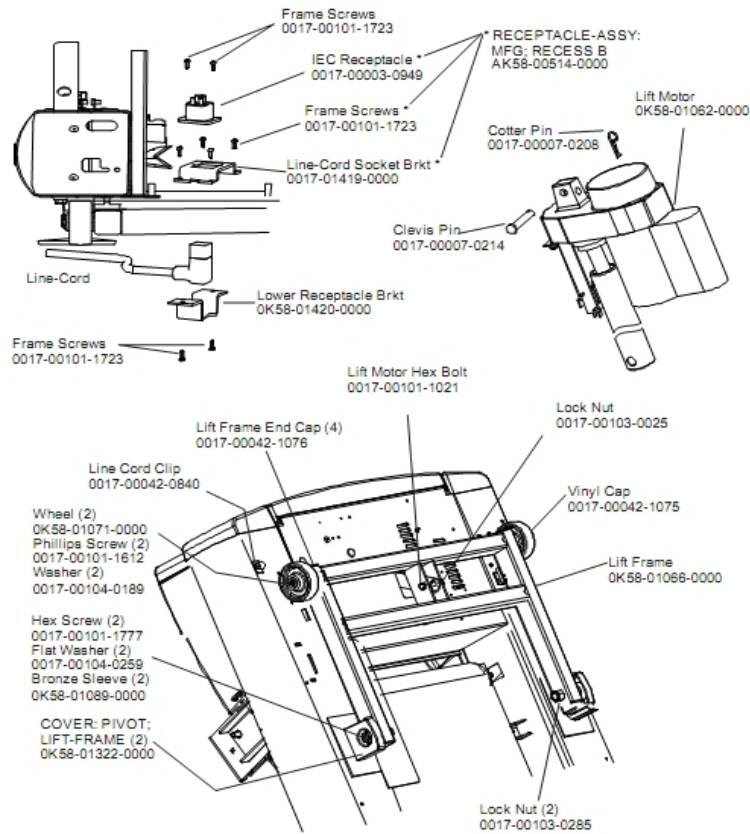
Ref #	Part Number	Qty	Description
-	OK58-01057-0001	1	Drive Pulley - 1.971"
-	AK58-00053-0002	1	Idler Arm Assembly
-	0017-00103-0324	1	Hardware: Thin Lock Nut 3/8" ID
-	AK58-00027-0000	1	Limit Switch Cable
-	OK26-01731-0000	1	Plastic Idler 2 5/8" OD
-	OK26-02055-0000	1	Spring Damper
-	0017-00032-0195	1	Home Switch
-	0017-00042-1072	1	Hardware: Wire Clamp - 5/8"
-	OK58-01084-0002	1	Threaded Shaft
-	0017-00007-0248	1	Hardware: Locking Pin .31" D 2.125" L
-	0017-00042-0326	1	Hardware: Plastic Grommet
-	0017-00101-1193	3	Hardware: Screw 0.375"
-	OK58-01114-0000	1	Poly-V Drive Belt - 370J12
-	OK58-01085-0000	1	Extension Spring
-	OK58-01263-0001	1	Tinsel Bracket
-	0017-00101-0333	1	Hardware: Screw 0.3125"
-	0017-00042-1053	1	Plug (For units not equipped with circuit breaker.)

Leg Leveler Assembly



Ref #	Part Number	Qty	Description
-	0017-00104-0190	4	Hardware: Flat Washer 0.734" OD
-	0017-00101-1652	4	Hardware: Spring Mounting Screw 1"
-	0017-00104-0333	4	Hardware: Washer 0.683" OD
-	OK58-01083-0000	1	Leveler Bracket
-	OK58-01098-0000	1	Hardware: Pivot Pin
-	OK58-01099-0000	1	Hardware: Stop Nut
-	AK58-00370-0000	1	Leveler Assembly
-	OK58-01110-0000	1	Leveler Foot

Lift Frame, Lift Motor, And IEC Receptacle

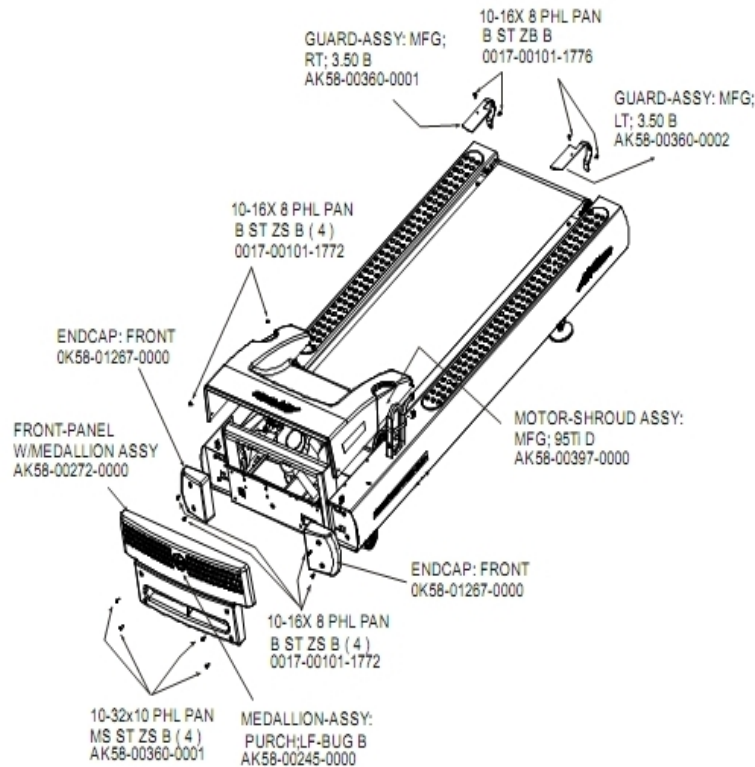


Ref #	Part Number	Qty	Description
-	0017-00042-1076	4	Lift Frame End Cap
-	0017-00103-0285	2	Hardware: Nut 5/8" ID
-	AK58-00220-0000	1	LIFT-FRAME ASSY: MFG. C
-	0K58-01062-0000	1	Lift Motor - 120/60
-	0K58-01420-0000	1	Lower Receptacle Bracket
-	0K58-01089-0000	2	Bronze Sleeve Bushings
-	0017-00042-0840	1	Hardware: Push Mount Clip
-	0K58-01071-0000	2	Wheel
-	0017-00101-1612	2	Hardware: Phillips Screw 0.5"
-	0017-00007-0214	1	Hardware: Clevis Pin 3/8" D 1.75" L
-	0017-00042-1075	1	Vinyl Cap
-	0017-00104-0259	2	Hardware: Washer 1.331" OD
-	0017-00103-0025	1	Hardware: Locking Nut 3/8" ID
-	0017-00101-1021	1	Hardware: Lift Motor Hex Bolt 2.5"
-	0017-00101-1723	8	Hardware: Phillips Pan Screw 0.375"
-	AK58-00514-0000	1	Receptacle Assembly
-	0017-00007-0208	1	Hardware: Cotter Pin
-	0017-00101-1777	2	Hardware: Lift Frame Mounting Bolt 2.75"
-	0017-00104-0189	2	Hardware: Flat Washer 1" OD
-	0K58-01419-0000	1	Line Cord Socket Bracket
-	0K58-01322-0000	2	Lift Frame Pivot Cover
-	0017-00003-0949	1	IEC Receptacle

Line Cords And Line Cord Options

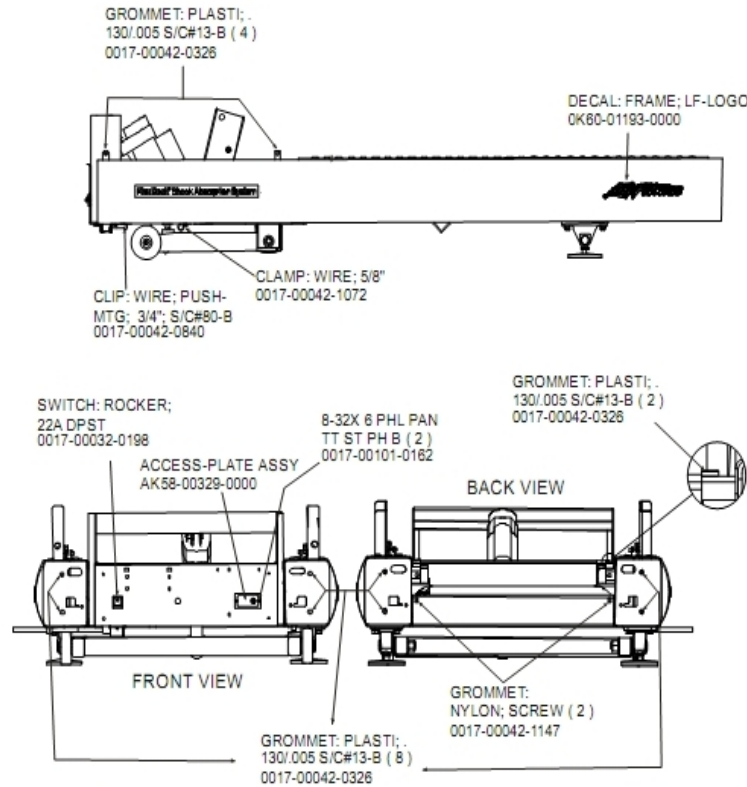
Ref #	Part Number	Qty	Description
-	0017-00003-0981	1	LINE-CORD: R/A; with PLUG 220/60 7.5'
-	0017-00003-0980	1	Line Cord: US Low Voltage 144"
-	0017-00003-0996	1	Line Cord: Australia 230/50
-	0017-00003-0948	1	12' 220v Line Cord

Motor Cover, Front Cover And Front End Caps



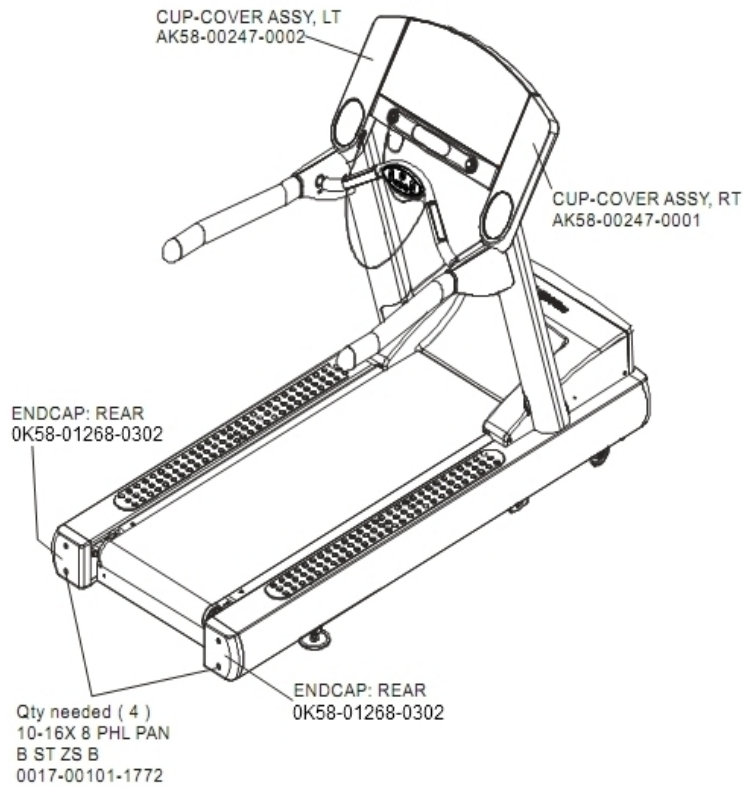
Ref #	Part Number	Qty	Description
-	AK58-00360-0001	1	Rear Roller Guard: Right
-	AK58-00397-0000	1	Motor Shroud
-	0017-00101-1772	8	Hardware: Phillips Pan Screw 0.5"
-	AK58-00245-0000	1	Bug Medallion
-	0017-00101-1776	1	Hardware: Mounting Screw 0.5"
-	0K58-01267-0000	2	End Cap
-	0017-00101-1771	4	Hardware: Phillips Pan Screw
-	AK58-00272-0000	1	Front Panel with Medallion
-	AK58-00360-0002	1	Rear Roller Guard: Left

On-Off Switch, Access Plate And Grommets



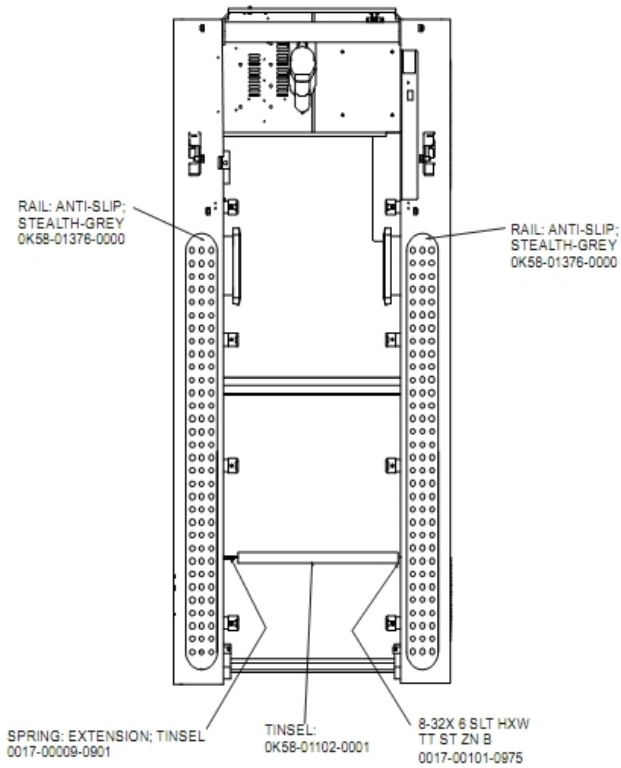
Ref #	Part Number	Qty	Description
-	0017-00101-0162	2	Hardware: Screw 0.375"
-	AK58-00329-0000	1	Access Panel Assembly
-	0017-00042-0840	1	Hardware: Push Mount Clip
-	0K60-01193-0000	2	Decal: LF Logo
-	0017-00032-0198	1	On/Off Switch 22A
-	0017-00042-0326	14	Hardware: Plastic Grommet
-	0017-00042-1147	2	Hardware: Nylon Grommet
-	0017-00042-1072	1	Hardware: Wire Clamp - 5/8"

Rear End Caps And Up Holders



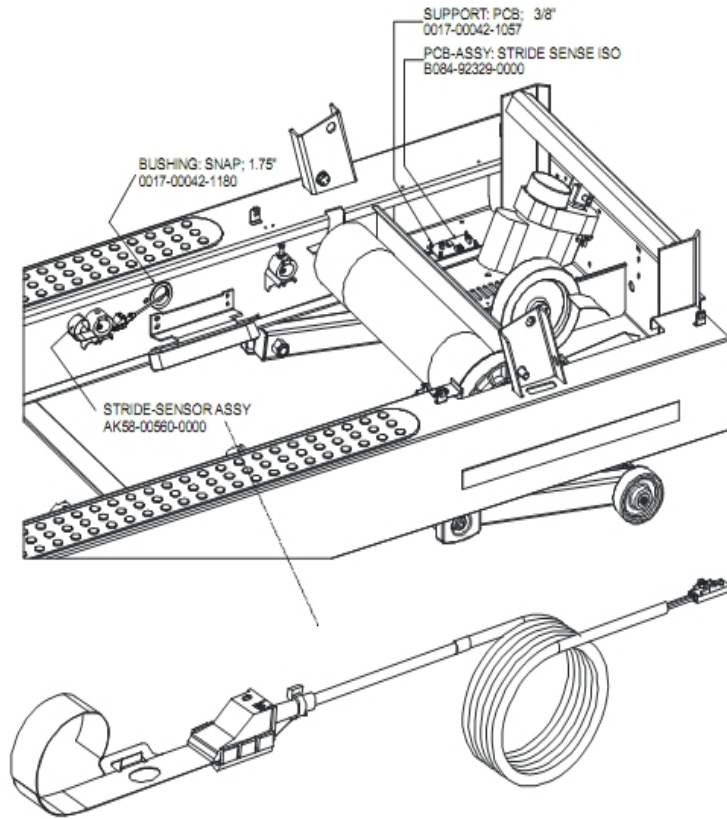
Ref #	Part Number	Qty	Description
-	OK58-01268-0302	2	ENDCAP: REAR; STEALTH D
-	AK58-00247-0001	1	Cup Holder Right
-	AK58-00247-0002	1	Cup Holder Left
-	0017-00101-1772	4	Hardware: Phillips Pan Screw 0.5"

Scuff Pad And Tinsel



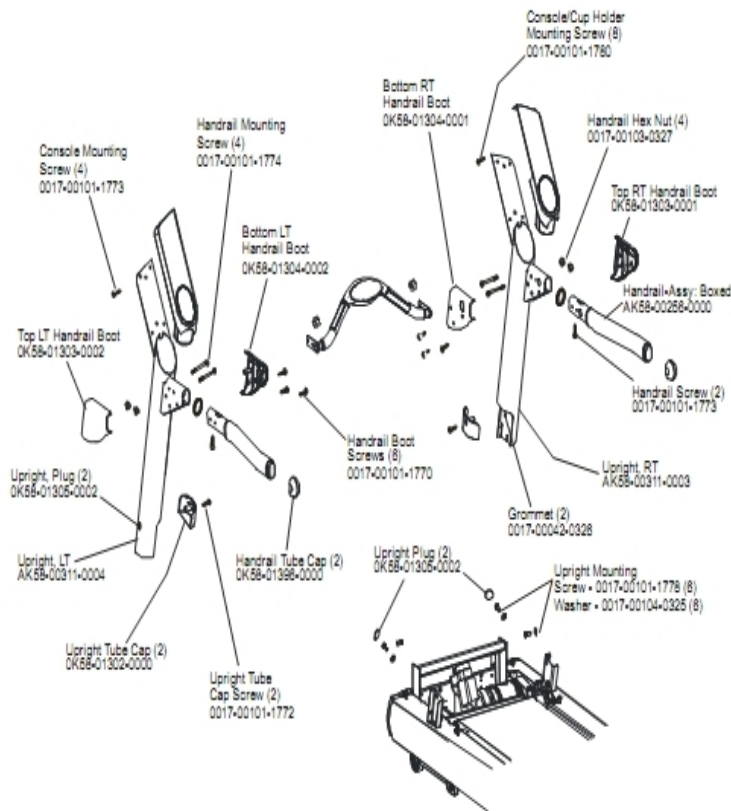
Ref #	Part Number	Qty	Description
-	0017-00101-0975	1	Hardware: Mounting Bolt 0.375"
-	OK58-01376-0000	2	Anti-Scuff Pad
-	OK58-01102-0001	1	Anti-Static Tinsel
-	0017-00009-0901	1	Tinsel Extension Spring

Stride Sensor And Stride Sensor Pcb



Ref #	Part Number	Qty	Description
-	0017-00042-1057	1	Support: Printed Circuit Board; 3/8"
-	AK58-00560-0000	1	Stride Sensor Assembly
-	B084-92329-0000	1	PCB-ASSY: STRIDE SENSE ISO
-	0017-00042-1180	1	Hardware: Snap Bushing - 1.75"

Uprights And Handrails



Ref #	Part Number	Qty	Description
-	OK58-01304-0001	1	Bottom Right Handrail Boot
-	OK58-01304-0002	1	Bottom Left Handrail Boot
-	0017-00101-1772	2	Hardware: Phillips Pan Screw 0.5"
-	OK58-01303-0001	1	Top Right Handrail Boot
-	0017-00101-1778	6	Hardware: Hex Bolt 1"
-	0017-00042-0326	2	Hardware: Plastic Grommet
-	0017-00103-0327	4	Hardware: Hex Nut 5/16" ID
-	OK58-01302-0103	2	Cap: Upright Tube; Arctic Silver
-	OK58-01305-0002	4	Upright Plug
-	AK58-00256-0001	1	Handrail
-	AK58-00311-0004	1	Upright: Left
-	0017-00101-1774	4	Hardware: TORX Screw 2.5"
-	0017-00101-1780	8	Hardware: Mounting Screws
-	AK58-00311-0003	1	Upright: Right
-	OK58-01303-0002	1	Top Left Handrail Boot
-	OK58-01396-0000	2	Endcap
-	0017-00101-1770	6	Hardware: Phillips Pan Screw 0.5"
-	0017-00104-0325	6	Hardware: Washer 0.873" OD
-	0017-00101-1773	6	Hardware: TORX Screw 0.5"

