

Silver Treadmill Base

95TXPS-INTHX-0101

Parts Manual

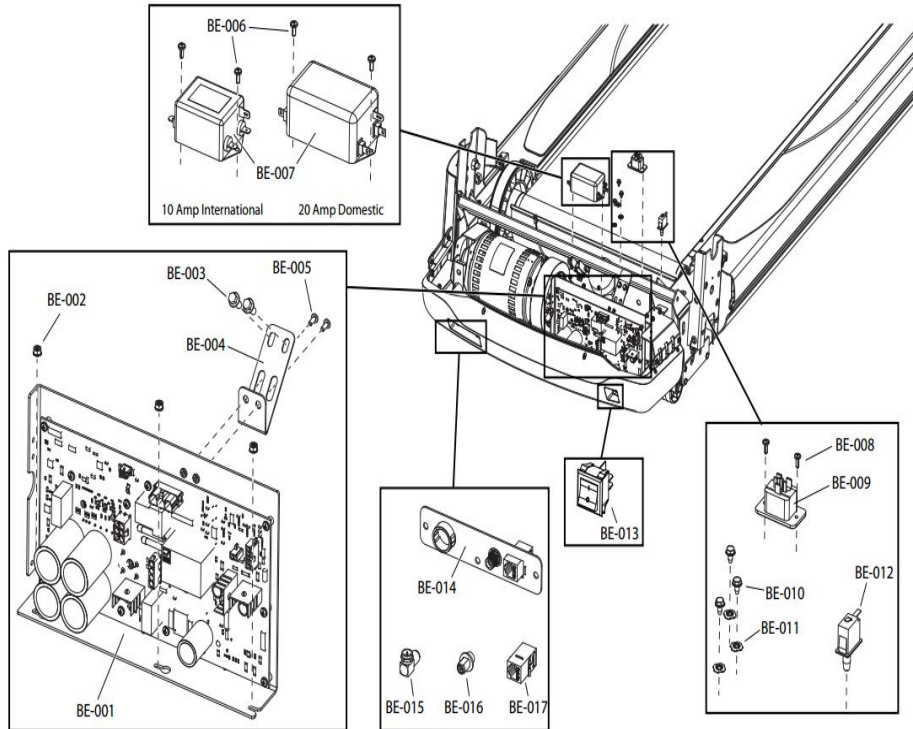
1/5/2019 11:16:19 AM

Table of Contents

| | |
|---|--------------------|
| Base Frame Electronics..... | 3 |
| Console Assembly, Bracket and Covers..... | 4 |
| Drive System - Drive Motor Assembly..... | 5 |
| Drive System - Idler Assembly and Drive Belt..... | 6 |
| Electric Wiring Diagrams and Cable Parts List..... | 7 |
| Heart Rate System - Ergo Bar Components..... | 8 |
| Lift System - Lift Frame and Wheels..... | 9 |
| Lift System - Lift Motor and Hardware..... | 10 |
| Lower Frame - Anti-Slip Pad, Extrusions and Rear End Caps..... | 11 |
| Lower Frame - Motor Covers, Brackets and Mounting Hardware..... | 12 |
| Lower Frame - Uprights and Covers..... | 13 |
| Miscellaneous..... | 14 |
| Stride (Walking) System - Belt, Deck and Rollers..... | 16 |
| Stride (Walking) System - Deck Springs, Stride Sensor, Roller Guards, Leg Leveler Assembly..... | 17 |
| Upper Frame - Bridge Cover and Activity Zone..... | 18 |
| Upper Frame - Handrail and Covers..... | 19 |

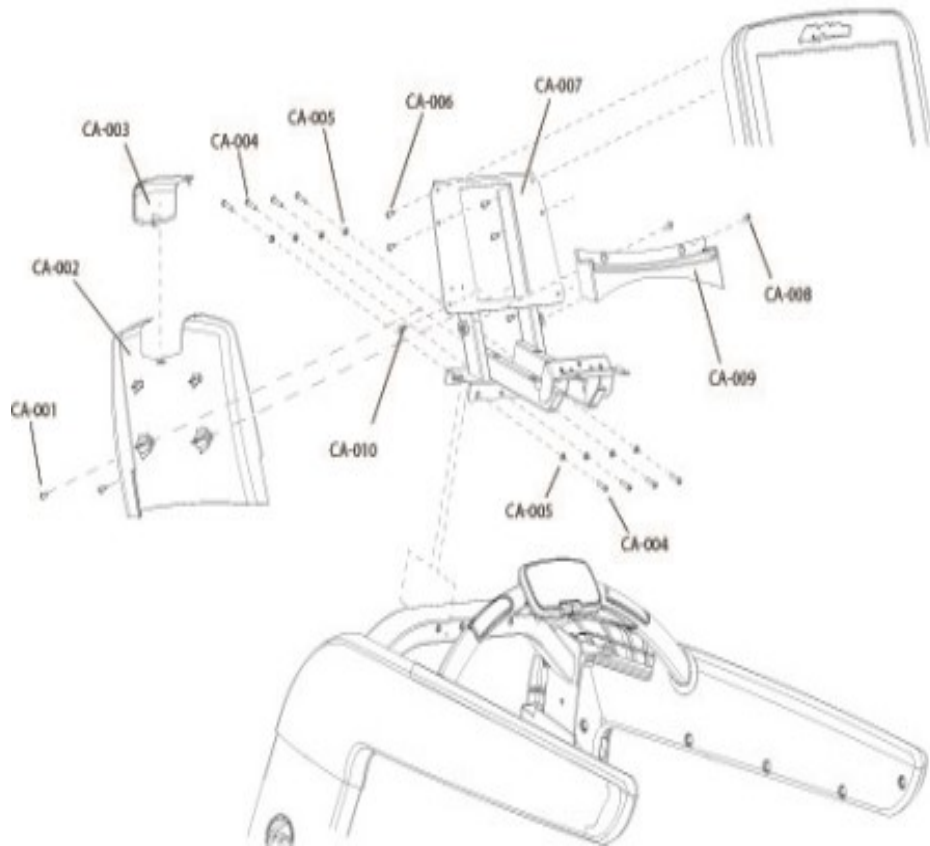
Base Frame Electronics

Base Frame Electronics



| Ref # | Part Number | Qty | Description |
|--------|-----------------|-----|--|
| BE-001 | AK98-00001-0002 | 1 | NC ASSEMBLY: PMC CONTROLLER; TREADMILL 230V |
| BE-002 | 0017-00103-0350 | 3 | Hardware: Hex Nut 5 MM |
| BE-003 | 0017-00101-1960 | 2 | M6 X1.00-6G6GX 16 DIN UNS HXW TT ST ZN |
| BE-004 | 0K65-01214-0001 | 1 | BRACE: DSP CONTROLLER |
| BE-005 | 0017-00101-1878 | 2 | M 4X0.70-6g6gX 10 ISO PHL PAN MS ST ZN B |
| BE-006 | 0017-00101-1968 | 2 | Hardware: Ground Screws 10MM |
| BE-007 | 0017-00003-0898 | 1 | 10 amp Line Filter (INT) |
| BE-008 | 0017-00101-1969 | 2 | Hardware: IEC Receptacle Mounting Screw 10MM |
| BE-009 | 0017-00003-0949 | 1 | IEC Receptacle |
| BE-010 | 0017-00101-0883 | 3 | Hardware: Screw 0.375" |
| BE-011 | 0017-00104-0460 | 3 | Hardware: Lockwasher 0.562" OD |
| BE-012 | 0017-00032-0195 | 1 | Home Switch |
| BE-013 | 0017-00032-0198 | 1 | On/Off Switch 22A |
| BE-014 | AK65-00082-0000 | 1 | Comm Port Plate Assembly |
| BE-015 | 0017-00021-2810 | 1 | F-Type Right Angle Adaptor |
| BE-016 | 0017-00021-2846 | 1 | F-Type Panel Connector |
| BE-017 | 0017-00021-3195 | 1 | COUPLER: CAT5E, SHIELDED, RJ45 |

Console Assembly, Bracket and Covers

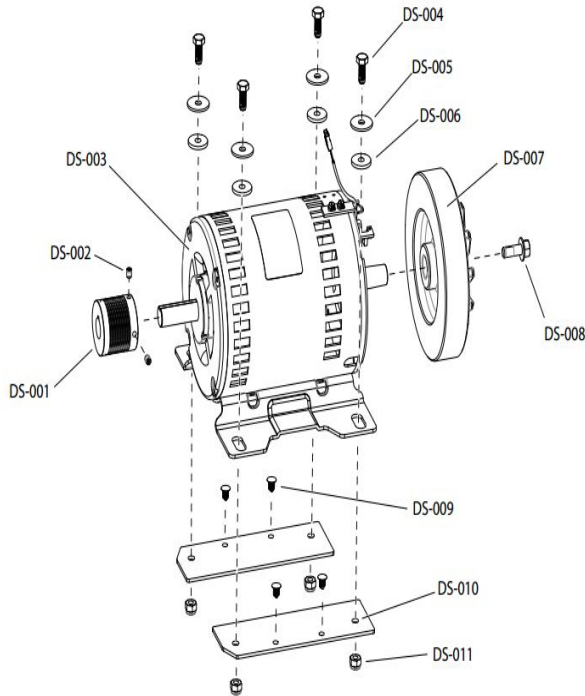


| Ref # | Part Number | Qty | Description |
|---------------|-----------------|-----|--|
| CA-001,CA-008 | 0017-00101-1953 | 4 | Hardware: Mounting Screw 14MM |
| CA-002 | AK65-00090-2400 | 1 | ASSY: CONSOLE NECK BACK; CHGR |
| CA-003 | 0K65-01189-2400 | 1 | COVER: LCD ACCESS; CHGR |
| CA-004 | 0017-00101-2022 | 8 | Hardware: M6 X 1.00 - 6G6G X 25 HEX BUT L MS ST ZB |
| CA-005 | 0017-00104-0488 | 8 | Hardware: Flat Washers 11.5 MM OD |
| CA-006 | 0017-00101-1995 | 4 | Hardware: Console Mounting Screw 10MM |
| CA-007 | AK65-00130-0000 | 1 | Console Bridge Weldment with AVK |
| CA-009 | 0K65-01188-2400 | 1 | SPACER: CONSOLE NECK; CHGR |
| CA-010 | 0017-00101-2108 | 2 | SCR: M5X0.80X14MM SEMS PHL PHMS ST BZ |

Drive System - Drive Motor Assembly

Drive System

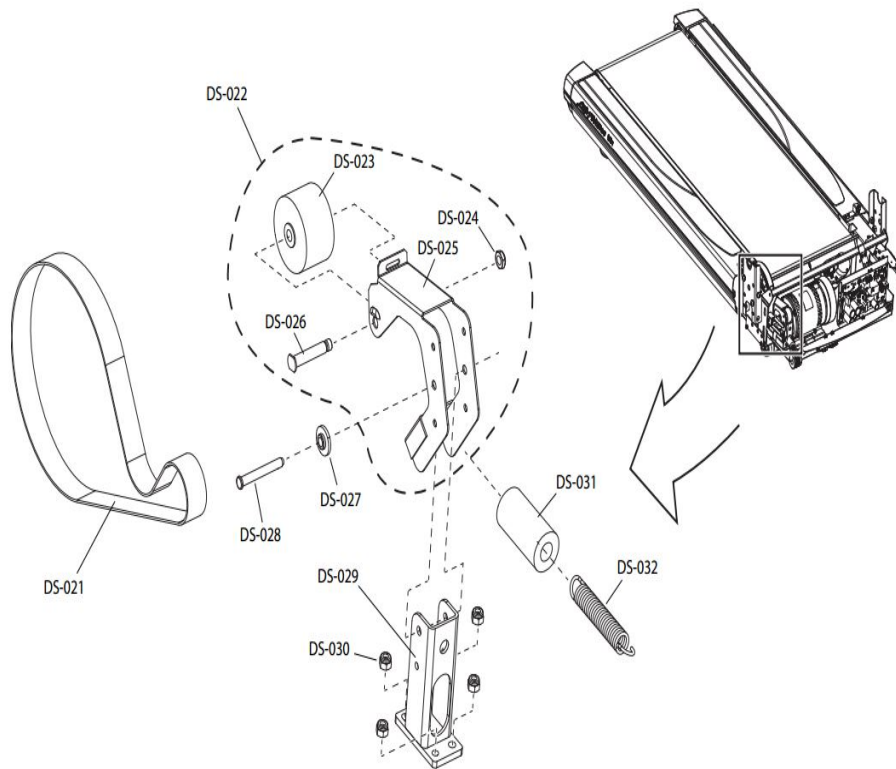
Drive Motor Assembly



| Ref # | Part Number | Qty | Description |
|--------|-----------------|-----|---------------------------------------|
| DS-001 | 0K58-01057-0001 | 1 | Drive Pulley - 1.971" |
| DS-002 | 0017-00101-0333 | 1 | Hardware: Screw 0.3125" |
| DS-003 | 0K58-01386-0004 | 1 | MOTOR: MAIN DRIVE, 230V/50HZ, W/TAPER |
| DS-004 | 0017-00101-1945 | 4 | Hardware: Bolt 20 MM |
| DS-005 | 0017-00104-0409 | 4 | Hardware: Washer 1.125" OD |
| DS-006 | 0K58-01255-0000 | 4 | Hardware: Insulating Washers |
| DS-007 | 0K65-01221-0000 | 1 | Flywheel with Fan |
| DS-008 | 0017-00101-1885 | 1 | Hardware: Hex Bolt 1" |
| DS-009 | 0017-00042-1212 | 4 | Clip |
| DS-010 | 0K58-01256-0001 | 1 | Insulating Pad |
| DS-011 | 0017-00103-0333 | 4 | Hardware: Hex Nut |

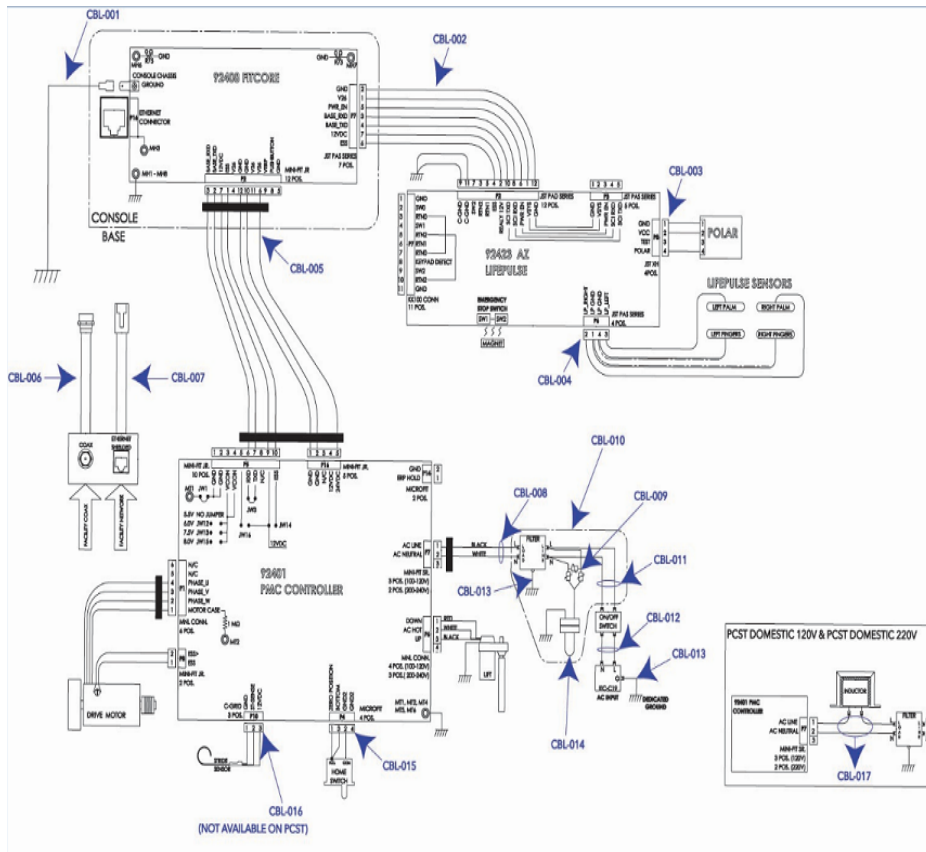
Drive System - Idler Assembly and Drive Belt

Idler Assembly and Drive Belt



| Ref # | Part Number | Qty | Description |
|--------|-----------------|-----|---------------------------------------|
| DS-021 | 0K58-01114-0000 | 1 | Poly-V Drive Belt - 370J12 |
| DS-022 | AK65-00029-0000 | 1 | Idler Assembly |
| DS-023 | 0K26-01731-0000 | 1 | Plastic Idler 2 5/8" OD |
| DS-024 | 0017-00103-0324 | 1 | Hardware: Thin Lock Nut 3/8" ID |
| DS-025 | 0K65-01113-0000 | 1 | Idler Bracket |
| DS-026 | 0K58-01084-0002 | 1 | Threaded Shaft |
| DS-027 | 0K58-01255-0000 | 1 | Hardware: Insulating Washers |
| DS-028 | 0017-00007-0248 | 1 | Hardware: Locking Pin .31" D 2.125" L |
| DS-029 | AK65-00145-0000 | 1 | BRKT: IDLER SUPPORT |
| DS-030 | 0017-00103-0333 | 4 | Hardware: Hex Nut |
| DS-031 | 0K26-02055-0000 | 1 | Spring Damper |
| DS-032 | 0K58-01085-0000 | 1 | Extension Spring |

Electric Wiring Diagrams and Cable Parts List

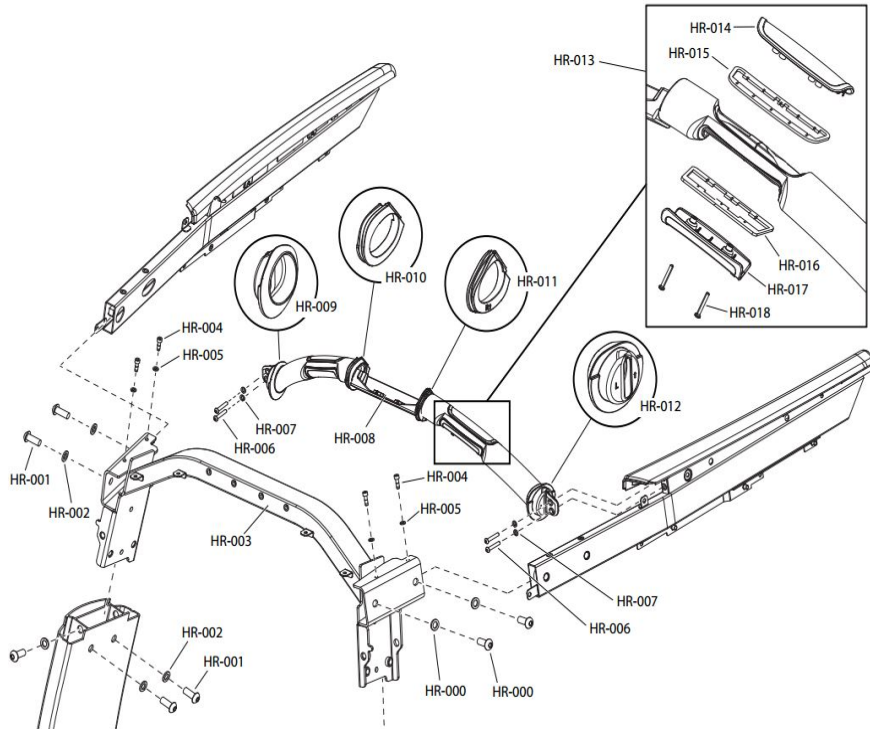


| Ref # | Part Number | Qty | Description |
|---------|-----------------|-----|--|
| CBL-001 | AK65-00103-0002 | 1 | CBL ASSY: GROUND, ESD |
| CBL-002 | 0K99-01032-0000 | 1 | CABLE: LIFEPULSE TO FITCORE - TREAD |
| CBL-003 | AK92-00019-0000 | 1 | CABLE ASSY, MIB POLAR TO POLAR RECEIVER |
| CBL-004 | 0K99-01031-0000 | 1 | CABLE: LIFEPULSE TO ELECTRODES |
| CBL-005 | 0K99-01047-0000 | 1 | CABLE: ELEVATION TREADMILL FITCORE - DSP |
| CBL-006 | AK65-00062-0000 | 1 | Cable: Coax RG6 Base |
| CBL-007 | AK70-00092-0000 | 1 | CABLE ASSY: CAT5E, V2, 84 INCH |
| CBL-008 | 0K99-01050-0000 | 1 | CABLE: POWER, 200-240V |
| CBL-009 | AK58-00224-0001 | 1 | Cable: MOV; Fliter |
| CBL-010 | AK92-00075-0001 | 1 | CABLE ASSY: AC FILTER, TREADMILL, MFG. |
| CBL-011 | AK65-00095-0001 | 1 | Cable: Filter to Switch |
| CBL-012 | AK92-00040-0000 | 1 | CABLE ASSY: AC POWER INPUT |
| CBL-013 | AK26-00348-0001 | 2 | Jumper Ground Cable |
| CBL-014 | AK58-00263-0000 | 1 | Hi-Pot Jumper Cable |
| CBL-015 | AK65-00074-0000 | 1 | Cable: Home Switch |
| CBL-016 | AK58-00560-0000 | 1 | Stride Sensor Assembly |

Heart Rate System - Ergo Bar Components

Heart Rate System

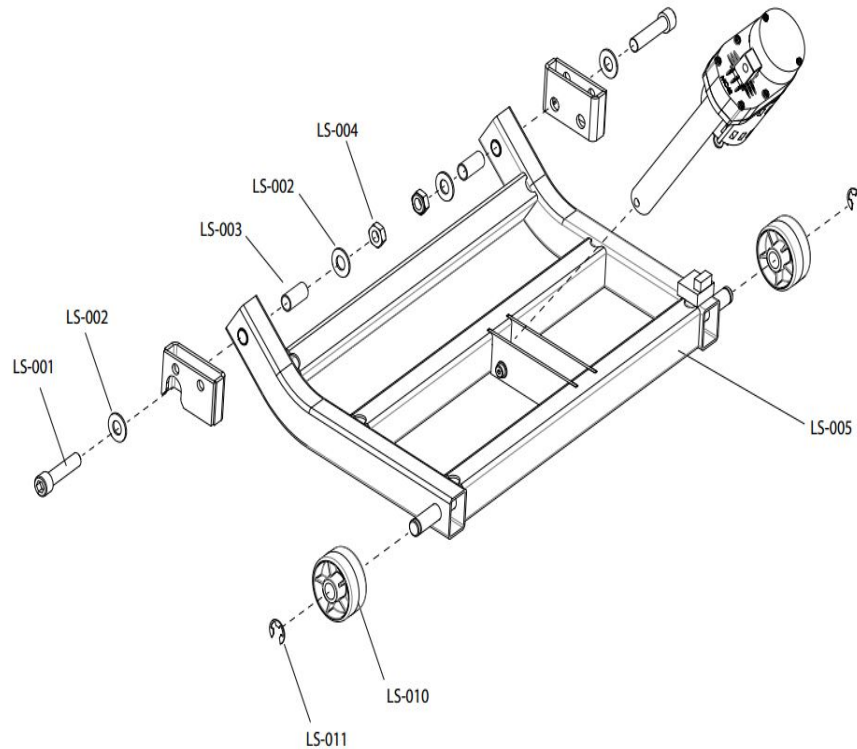
Ergo Bar Components



| Ref # | Part Number | Qty | Description |
|---------------|-----------------|-----|---------------------------------------|
| HR-001 | 0017-00101-2110 | 10 | M12X1.75X30 DIN HXS BUT CS ST ZB |
| HR-002 | 0017-00104-0489 | 10 | Hardware: Washer 20.75 MM OD |
| HR-003 | AK65-00129-0000 | 1 | Bridge Weldment with AVK |
| HR-004 | 0017-00101-1902 | 4 | Hardware: Screw 20 MM |
| HR-005,HR-007 | 0017-00104-0488 | 8 | Hardware: Flat Washers 11.5 MM OD |
| HR-006 | 0017-00101-1954 | 4 | Hardware: Mounting Screw 35MM |
| HR-008 | AK99-00006-2400 | 1 | ASSEMBLY: ZEUS ERGOBAR, CHGR |
| HR-009 | 0K65-01203-0701 | 1 | GASKET:ERGOBAR: HANDRAIL; RH; BLK |
| HR-010 | 0K65-01204-0702 | 1 | GASKET:ERGOBAR;ACTIVITY ZONE; LH; BLK |
| HR-011 | 0K65-01204-0701 | 1 | GASKET:ERGOBAR;ACTIVITY ZONE; RH; BLK |
| HR-012 | 0K65-01203-0702 | 1 | GASKET:ERGOBAR: HANDRAIL; LH; BLK |
| HR-014 | AK65-00016-2401 | 2 | ASSY: ELECTRODE; HR; TOP; CHGR |
| HR-015 | 0K65-01270-0000 | 2 | GASKET: TOP SENSOR; PURCH |
| HR-016 | 0K65-01269-0000 | 2 | GASKET: BOTTOM SENSOR; PURCH |
| HR-017 | AK65-00016-2402 | 2 | ASSY: ELECTRODE; HR; BOTTOM; CHGR |
| HR-018 | 0017-00101-2054 | 2 | Hardware: Screw 1" |

Lift System - Lift Frame and Wheels

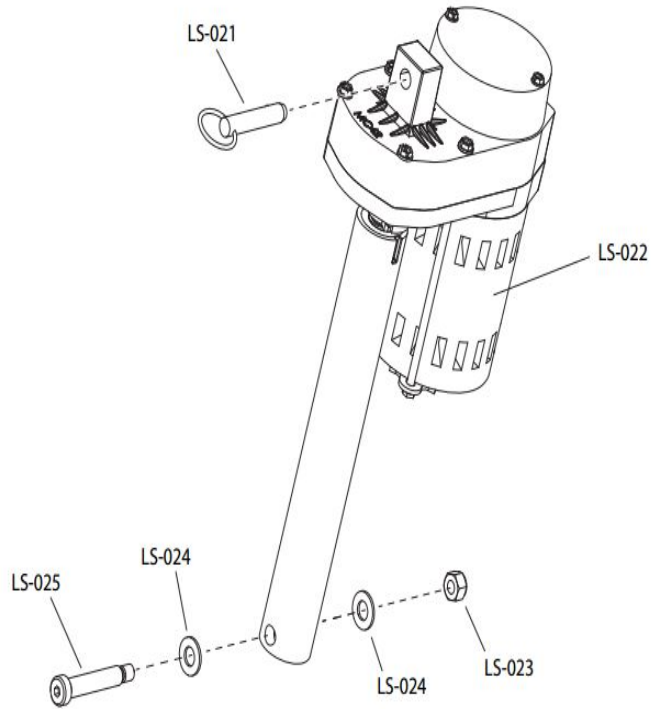
Lift Frame and Wheels



| Ref # | Part Number | Qty | Description |
|--------|-----------------|-----|--|
| LS-001 | 0017-00101-1777 | 2 | Hardware: Lift Frame Mounting Bolt 2.75" |
| LS-002 | 0017-00104-0259 | 4 | Hardware: Washer 1.331" OD |
| LS-003 | 0K65-01242-0000 | 2 | Sleeve Bushings |
| LS-004 | 0017-00103-0285 | 2 | Hardware: Nut 5/8" ID |
| LS-005 | AK65-00137-0000 | 1 | Painted Lift Frame Weldment |
| LS-010 | 0K65-01245-0000 | 2 | Lift Wheels |
| LS-011 | 0017-00100-0249 | 2 | Snap Ring |

Lift System - Lift Motor and Hardware

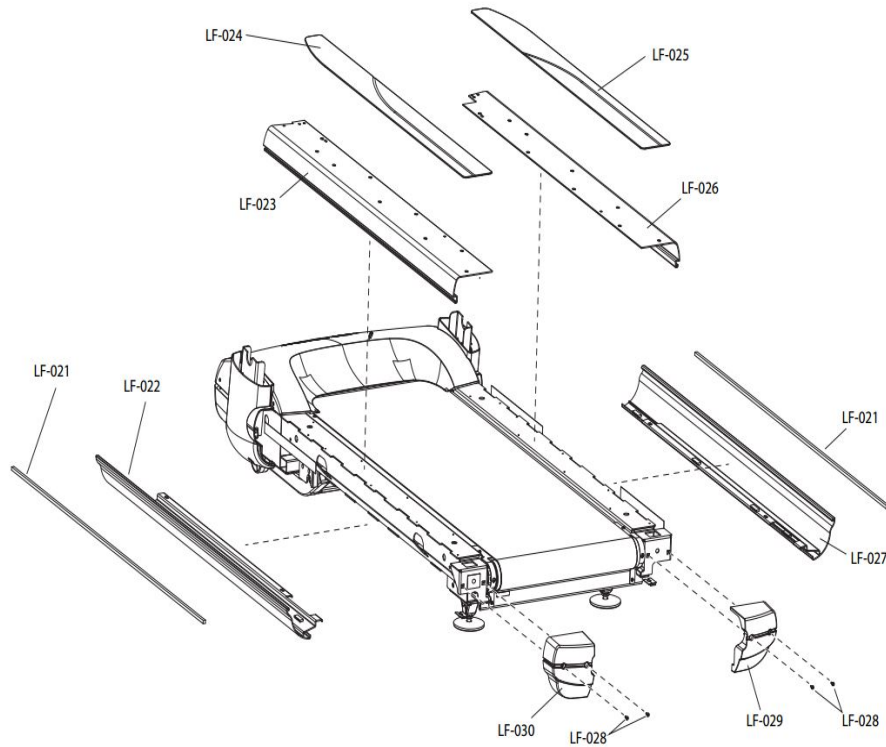
Lift Motor and Hardware



| Ref # | Part Number | Qty | Description |
|--------|-----------------|-----|---------------------------------|
| LS-021 | 0017-00007-0275 | 1 | Hardware: Ring Grip Pin |
| LS-022 | 0K65-01192-0002 | 1 | Actuator: Linear 230 VAC NOM. |
| LS-023 | 0017-00103-0027 | 1 | Hardware: Locking Nut. 5/16" ID |
| LS-024 | 0017-00104-0043 | 2 | Hardware: Flat Washer 0.734" OD |
| LS-025 | 0017-00101-2038 | 1 | Hardware: Bolt 2" |

Lower Frame - Anti-Slip Pad, Extrusions and Rear End Caps

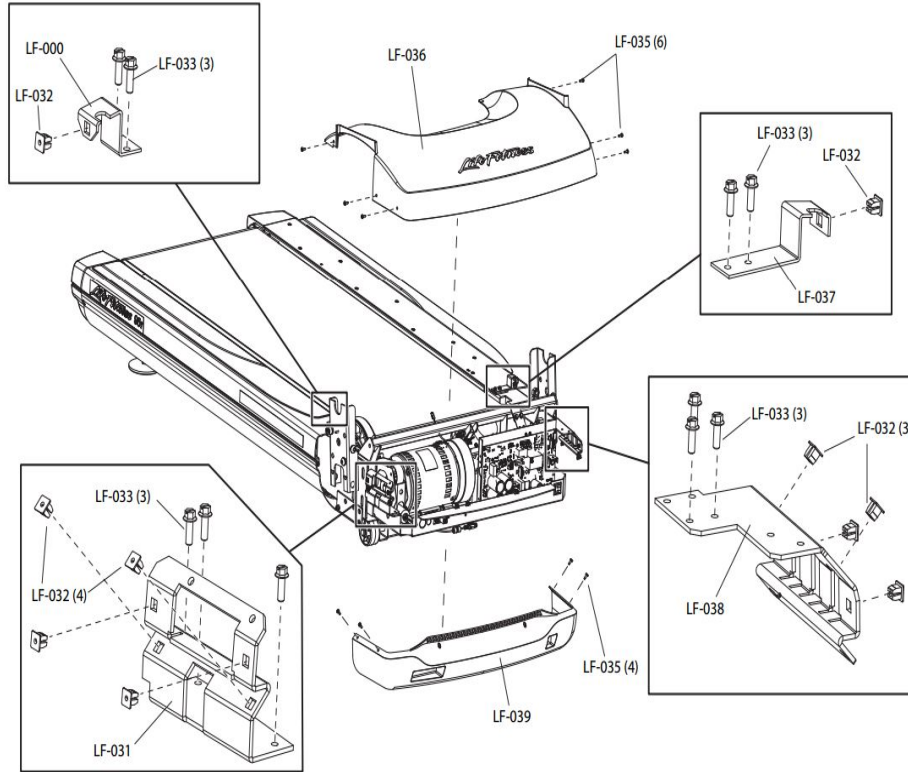
Anti-Slip Pad, Extrusions and Rear End Caps



| Ref # | Part Number | Qty | Description |
|--------|-----------------|-----|---|
| LF-021 | 0K65-01354-0000 | 2 | SPACER: LOWER EXTRUSION |
| LF-022 | AK65-00093-0004 | 1 | LH Lower Frame Extrusion Assembly |
| LF-023 | GK65-00002-0004 | 1 | Left Upper Extrusion/Anti-slip Pad Kit |
| LF-026 | GK65-00002-0003 | 1 | Right Upper Extrusion/Anti-slip Pad Kit |
| LF-027 | AK65-00093-0003 | 1 | RH Lower Frame Extrusion Assembly |
| LF-028 | 0017-00101-1776 | 4 | Hardware: Mounting Screw 0.5" |
| LF-029 | 0K65-01065-2401 | 1 | END CAP: REAR; RH; CHGR |
| LF-030 | 0K65-01065-2402 | 1 | END CAP: REAR; LH; CHGR |
| LF-041 | 0017-00042-1142 | 2 | Push Rivets |
| LF-042 | 0K65-01353-0000 | 2 | BRACKET:LOWER EXTRUSION SUPPORT |
| LF-043 | 0017-00101-2011 | 4 | Hardware: Screw 10MM |
| LF-044 | AK65-00124-0000 | 2 | Assembly: End Cap Clip |
| | 0K65-01190-2403 | 1 | RAIL: ANTI SLIP; RH |
| | 0K65-01190-2404 | 1 | RAIL: ANTI SLIP; LH |

Lower Frame - Motor Covers, Brackets and Mounting Hardware

Motor Covers, Brackets and Mounting Hardware

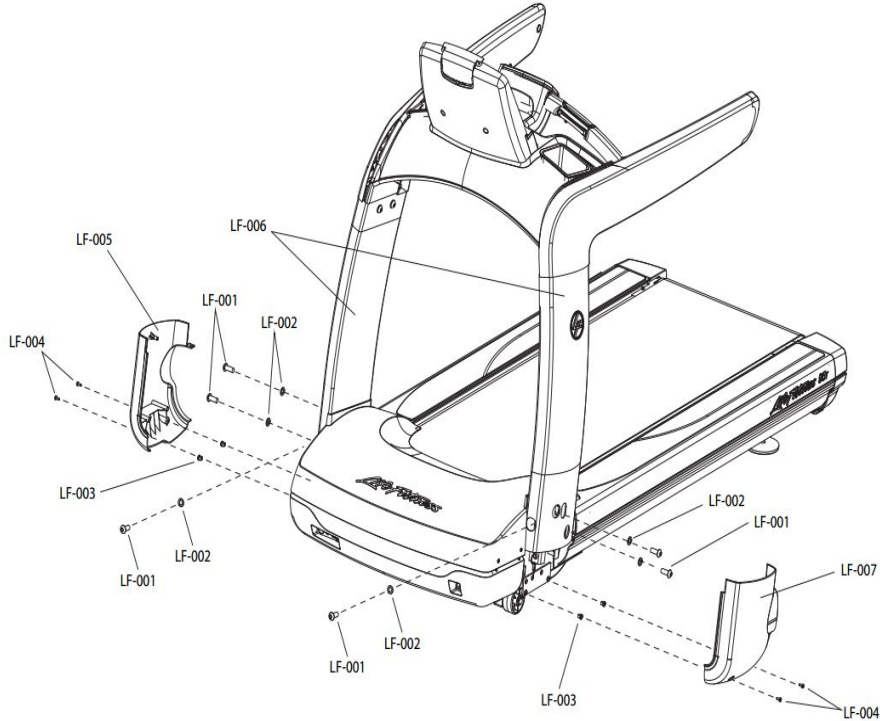


| Ref # | Part Number | Qty | Description |
|--------|-----------------|-----|---------------------------------|
| LF-031 | 0K65-01134-0001 | 1 | Motor Cover Bracket |
| LF-032 | 0017-00042-1147 | 4 | Hardware: Nylon Grommet |
| LF-033 | 0017-00101-1961 | 3 | Hardware: Mounting Screw 16MM |
| LF-034 | 0K65-01135-0001 | 1 | Rear Motor Cover Bracket Right |
| LF-035 | 0017-00101-1776 | 6 | Hardware: Mounting Screw 0.5" |
| LF-036 | 0K65-01125-2400 | 1 | COVER: MOTOR; SHROUD; TOP; CHGR |
| LF-037 | 0K65-01135-0002 | 1 | Rear Motor Cover Bracket Left |
| LF-038 | 0K65-01134-0002 | 1 | Left Front Motor Cover Bracket |
| LF-039 | 0K65-01126-2401 | 1 | COVER: MOTOR; BOTTOM; CHGR |
| LF-040 | 0K65-01297-0000 | 1 | Line Cord Bracket |

Lower Frame - Uprights and Covers

Lower Frame

Uprights and Covers



| Ref # | Part Number | Qty | Description |
|--------|-----------------|-----|---|
| LF-001 | 0017-00101-1984 | 6 | Hardware: Bridge Weldment Mounting Screw 30MM |
| LF-002 | 0017-00104-0489 | 6 | Hardware: Washer 20.75 MM OD |
| LF-003 | 0017-00042-0326 | 4 | Hardware: Plastic Grommet |
| LF-004 | 0017-00101-1776 | 4 | Hardware: Mounting Screw 0.5" |
| LF-005 | 0K65-01127-2401 | 1 | COVER: UPRIGHT; RH; CHGR |
| LF-006 | GK65-00002-0010 | 1 | Right or Left Upright Assembly |
| LF-007 | 0K65-01127-2402 | 1 | COVER: UPRIGHT; LH; CHGR |

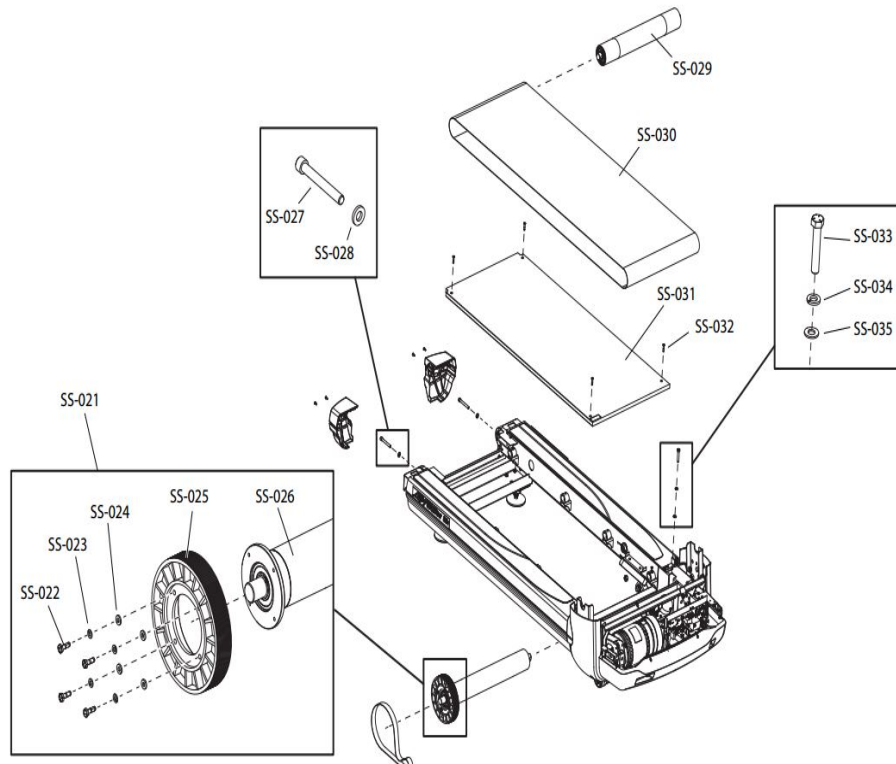
Miscellaneous

| Ref # | Part Number | Qty | Description |
|----------|-----------------|-----|--|
| MISC-001 | 0017-00021-2740 | 1 | CSAFE Splitter |
| MISC-002 | 0017-00101-1769 | 2 | Hardware: Phillips Pan Screw 0.75" |
| MISC-003 | 0017-00101-1902 | 13 | Hardware: Screw 20 MM |
| MISC-004 | 0017-00101-1954 | 2 | Hardware: Mounting Screw 35MM |
| MISC-005 | 0017-00101-1984 | 12 | Hardware: Bridge Weldment Mounting Screw 30MM |
| MISC-006 | 0017-00101-1953 | 44 | Hardware: Mounting Screw 14MM |
| MISC-007 | 0017-00101-1776 | 8 | Hardware: Mounting Screw 0.5" |
| MISC-008 | 0017-00101-2108 | 6 | SCR: M5X0.80X14MM SEMS PHL PHMS ST BZ |
| MISC-009 | 0017-00101-2022 | 4 | Hardware: M6 X 1.00 - 6G6G X 25 HEX BUT L MS ST ZB |
| MISC-010 | 0017-00104-0488 | 11 | Hardware: Flat Washers 11.5 MM OD |
| MISC-011 | 0017-00104-0489 | 12 | Hardware: Washer 20.75 MM OD |
| MISC-012 | 0017-00008-0204 | 1 | Paint Spray Can - Arctic Silver |
| MISC-012 | 0017-00008-0231 | 1 | CHARCOAL GRAY AEROSOL |
| MISC-013 | 0017-00008-0232 | 1 | CHARCOAL GRAY TOUCH UP |
| MISC-013 | 0017-00008-0205 | 1 | 5 oz Bottle - Arctic Silver |
| MISC-014 | 0017-00008-0206 | 1 | .33oz Pen - Arctic Silver |
| MISC-015 | 0017-00003-0980 | 1 | Line Cord: US Low Voltage 144" |
| MISC-017 | 0017-00003-0696 | 1 | Line Cord: International High Voltage (Cont.) 103" |
| MISC-018 | 0017-00003-0890 | 1 | Line Cord: UK |
| MISC-019 | 0017-00003-0996 | 1 | Line Cord: Australia 230/50 |
| MISC-020 | 0017-00003-1014 | 1 | Line Cord China 10A 250 V |
| MISC-021 | 0K65-01297-0000 | 1 | Line Cord Bracket |

| Ref # | Part Number | Qty | Description |
|--------------|--------------------|------------|--|
| MISC-022 | 0017-00101-1968 | 1 | Hardware: Ground Screws 10MM |
| MISC-023 | 0017-00042-1194 | 8 | Clip: Fastener: Dual Lock; Reclosalbe; Purchased |
| MISC-024 | 0017-00003-1079 | 1 | LINECORD NEMA 5-15P WITH R/A C-19 CONNECTOR |

Stride (Walking) System - Belt, Deck and Rollers

Belt, Deck and Rollers

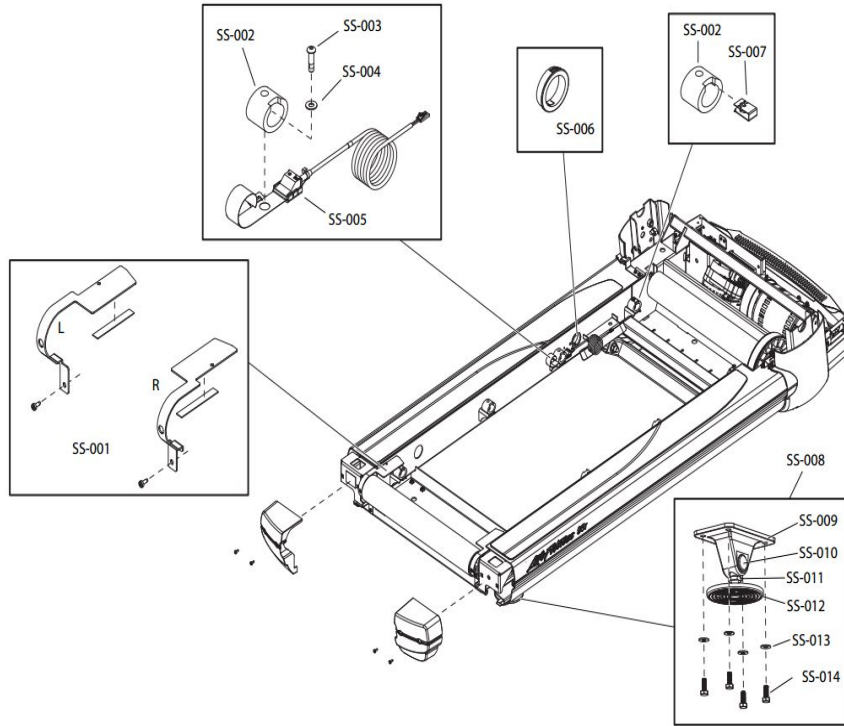


| Ref # | Part Number | Qty | Description |
|--------|-----------------|-----|--|
| SS-021 | AK65-00067-0001 | 1 | Front Roller Assembly International |
| SS-022 | 0017-00101-1632 | 4 | Hardware: Hex Bolt 0.875" |
| SS-023 | 0017-00104-0330 | 4 | Hardware: Flat Washers 0.562" OD |
| SS-024 | 0017-00104-0005 | 4 | Hardware: Lock Washer 0.489" OD |
| SS-025 | 0K58-01105-0000 | 1 | Drive Pulley Poly V - 8" |
| SS-026 | 0K65-01195-0001 | 1 | Front Roller International - 3.5" Diameter |
| SS-027 | 0017-00101-1880 | 2 | Hardware: Tension Bolts 3" |
| SS-028 | 0017-00104-0492 | 2 | Hardware: Flat Washer 750" OD |
| SS-029 | 0K65-01199-0001 | 1 | Rear Roller International - 3.5" Diameter |
| SS-030 | 0K65-01002-0000 | 1 | Striding Belt - 95T |
| SS-031 | 0K65-01263-0000 | 1 | Deck |
| SS-032 | 0017-00101-1775 | 4 | Hardware: Deck Screws 1.25" |
| SS-033 | 0017-00101-0974 | 1 | Hardware: Mounting Bolt 2" |
| SS-034 | 0017-00104-0006 | 1 | Hardware: Lock Washer 0.683" OD |
| SS-035 | 0017-00104-0043 | 1 | Hardware: Flat Washer 0.734" OD |

Stride (Walking) System - Deck Springs, Stride Sensor, Roller Guards, Leg Leveler Assembly

Stride (Walking) System

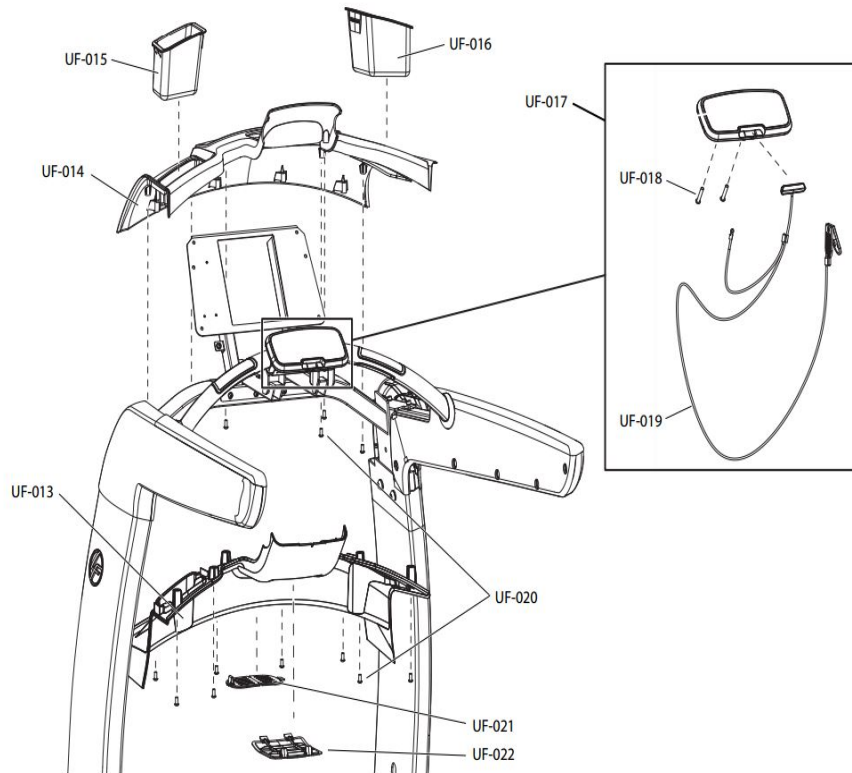
Deck Springs, Stride Sensor, Roller Guards, Leg Leveler Assembly



| Ref # | Part Number | Qty | Description |
|--------|-----------------|-----|------------------------------------|
| SS-001 | GK65-00002-0001 | 1 | Roller Guard Kit |
| SS-002 | 0K40-01026-0002 | 8 | Deck Spring |
| SS-003 | 0017-00101-1652 | 8 | Hardware: Spring Mounting Screw 1" |
| SS-004 | 0017-00104-0072 | 8 | Hardware: Flat Washer 0.562" OD |
| SS-005 | AK58-00560-0000 | 1 | Stride Sensor Assembly |
| SS-006 | 0017-00042-1180 | 1 | Hardware: Snap Bushing - 1.75" |
| SS-007 | 0017-00103-0198 | 4 | Hardware: Tinnerman Clip 1/4" ID |
| SS-008 | AK58-00370-0000 | 2 | Leveler Assembly |
| SS-009 | 0K58-01083-0000 | 2 | Leveler Bracket |
| SS-010 | 0K58-01098-0000 | 2 | Hardware: Pivot Pin |
| SS-011 | 0K58-01099-0000 | 2 | Hardware: Stop Nut |
| SS-012 | 0K58-01110-0000 | 2 | Leveler Foot |
| SS-013 | 0017-00104-0159 | 8 | Hardware: Flat Washer 0.75" OD |
| SS-014 | 0017-00101-1945 | 8 | Hardware: Bolt 20 MM |

Upper Frame - Bridge Cover and Activity Zone

Bridge Cover and Activity Zone



| Ref # | Part Number | Qty | Description |
|--------|-----------------|-----|-----------------------------------|
| UF-013 | AK65-00086-2400 | 1 | ASSY: BRIDGE COVER; BOTTOM; CHGR |
| UF-014 | 0K65-01051-2400 | 1 | HOUSING: BRIDGE TOP INSERTS; CHGR |
| UF-015 | 0K65-01174-2402 | 1 | CUPHOLDER: LT: CHGR |
| UF-016 | 0K65-01174-2401 | 1 | CUPHOLDER: RT: CHGR |
| UF-017 | AK99-00007-2400 | 1 | ASSEMBLY: ACTIVITY ZONE, CHGR |
| UF-018 | 0017-00101-1954 | 2 | Hardware: Mounting Screw 35MM |
| UF-019 | AK65-00037-0002 | 1 | TETHER: STOP SWITCH & CLIP |
| UF-020 | 0017-00101-1953 | 10 | Hardware: Mounting Screw 14MM |
| UF-021 | 0K65-01208-2400 | 1 | DOOR: ACCESS; BRIDGE; CHGR |
| UF-022 | 0K65-01053-2400 | 1 | DOOR: BEZEL ACCESS: CHGR |

Upper Frame - Handrail and Covers

| Ref # | Part Number | Qty | Description |
|-------------------|-----------------|-----|------------------------------------|
| UF-001 | 0K65-01225-0700 | 10 | PLUG; GROMMET; BLK |
| UF-002,UF -005 | 0017-00101-1953 | 22 | Hardware: Mounting Screw 14MM |
| UF-003 | 0K65-01168-2402 | 1 | HANDRAIL;INNER SHELL; LH; CHGR |
| UF-004 | 0K65-01168-2401 | 1 | HANDRAIL: INNER SHELL; RH; CHGR |
| UF-006 | AK65-00077-0002 | 1 | Left Handrail Assembly |
| UF-007 | AK65-00077-0001 | 1 | Right Handrail Assembly |
| UF-008 | 0K65-01167-2402 | 1 | HOUSING: HANDRAIL;OUTER; LH; CHGR |
| UF-009 | 0K65-01167-2401 | 1 | HOUSING: HANDRAIL; OUTER; RH; CHGR |

