

95Xi Cross-Trainer

95X-0000-03

Parts Manual

1/5/2019 11:17:44 AM



LifeFitness
WHAT WE LIVE FOR

Table of Contents

Bearing Insert Assembly.....	3
Cables.....	4
Console And Related Components.....	5
Console Support And Deadshaft Covers.....	6
Crank Arm Pulley Assembly.....	7
Crank Cover And Lower Caps.....	8
Drive Module.....	9
Drive Module Hardware.....	10
Handlebars And Bullhorns.....	11
Lower Frame Shrouds And Hardware.....	12
Pedal Lever Assembly Components.....	13
PCB, Battery, Reed Switch And Bracket.....	15
References.....	16
Rocker Arms And Pedal Levers.....	17
Upper Frame Hardware.....	18

Bearing Insert Assembly

Service Kit- GK62-00002-0044

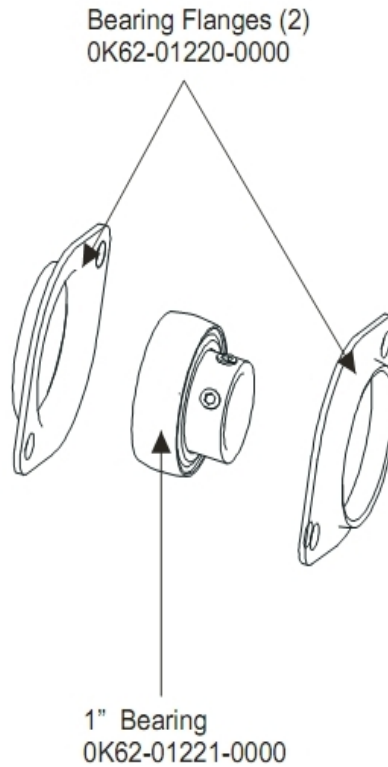
Includes:

- 1 - crankshaft
- 2 - bearings
- 2 - sets of bearing flanges
- 4 - weldnuts and flat washers
- 4 - bolts

Service Kit- GK62-00002-0045

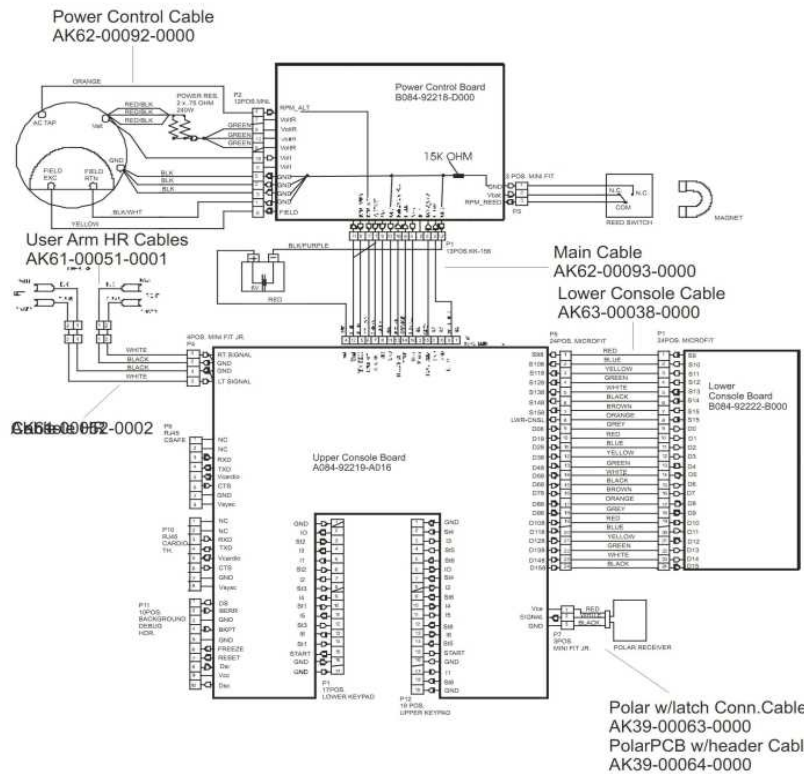
Includes:

- 1 - intermediate shaft
- 2 - bearings
- 2 - sets of bearing flanges
- 4 - weldnuts and flat washers
- 4 - bolts



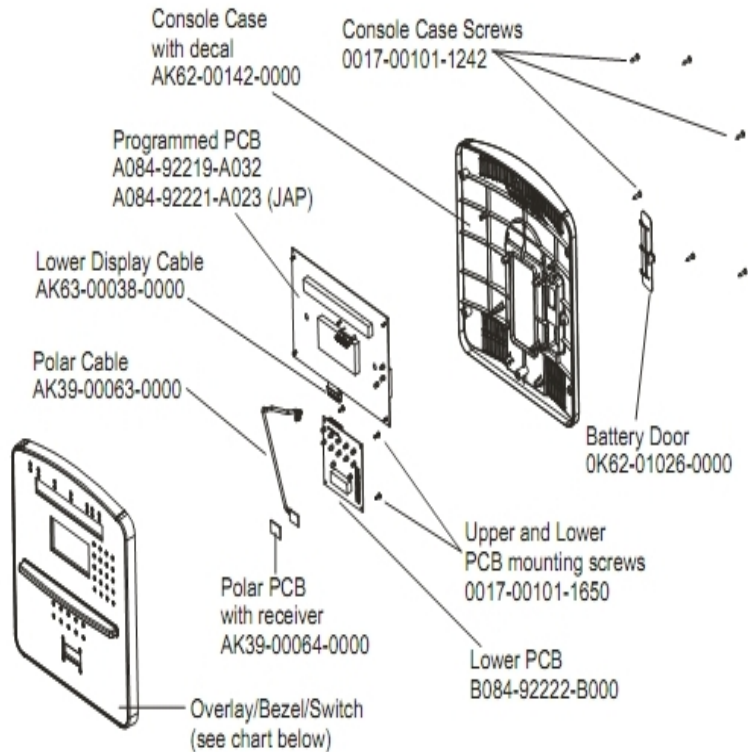
Ref #	Part Number	Qty	Description
-	GK62-00002-0044	1	Crankshaft Bearing Kit
-	0K62-01221-0000	1	1" Bearing
-	GK62-00002-0045	1	Intermediate Shaft Bearing Kit
-	0K62-01220-0000	2	Bearing Flange

Cables



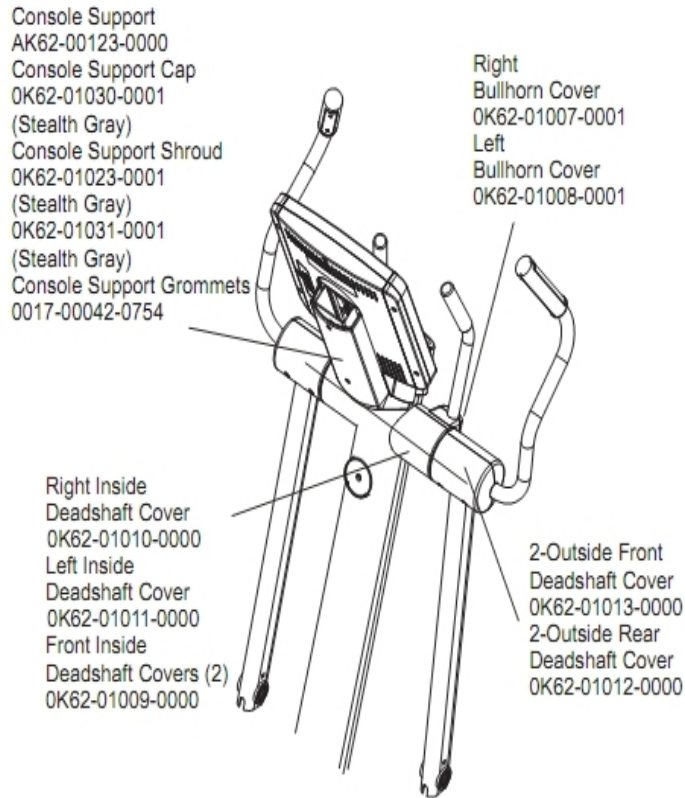
Ref #	Part Number	Qty	Description
-	AK61-00052-0002	1	Lifepulse Sensor Cable
-	AK62-00093-0000	1	Main Cable
-	A084-92219-A016	1	Console Board - Upper
-	B084-92218-0000	1	PCB Circuit Board
-	AK63-00038-0000	1	Lower Console Cable
-	AK61-00051-0001	1	Lifepulse: User-Arm
-	AK39-00063-0000	1	Polar Cable
-	AK62-00092-0000	1	Power Control Cable
-	B084-92222-B000	1	Console Board - Lower
-	118E-00001-0259	1	Wireless Receiver Module, Non-Coded

Console And Related Components



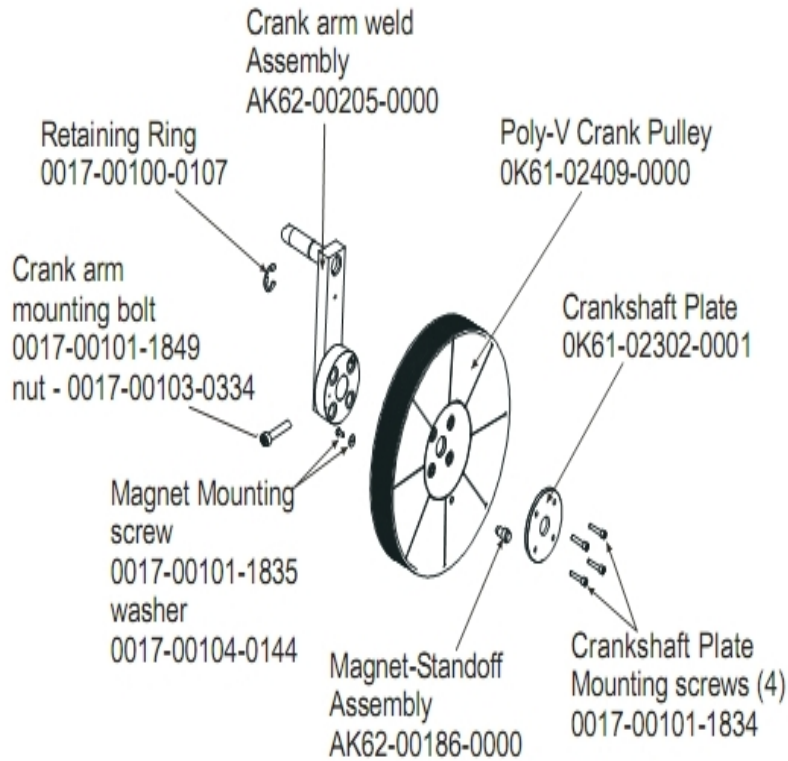
Ref #	Part Number	Qty	Description
-	118E-00001-0259	1	Wireless Receiver Module, Non-Coded
-	A084-92221-A023	1	PROG CONS CCD PCB ASSY: MFG; SERVICE; JAP; 95XI-04
-	AK62-00329-0001	1	Console English/Metric
-	A084-92219-A032	1	Programmed PCB
-	AK62-00142-0000	1	Console Case with Decal
-	AK62-00191-0001	1	Bezel Switch with Overlay: English/Metric
-	AK63-00038-0000	1	Lower Console Cable
-	AK39-00063-0000	1	Polar Cable
-	0017-00101-1242	1	Hardware: Phillips Pan Screw 0.75"
-	0017-00101-1650	1	Hardware: Phillips Pan Screw 0.375"
-	0K62-01026-0000	1	Battery Door
-	B084-92222-B000	1	Console Board - Lower

Console Support And Deadshaft Covers



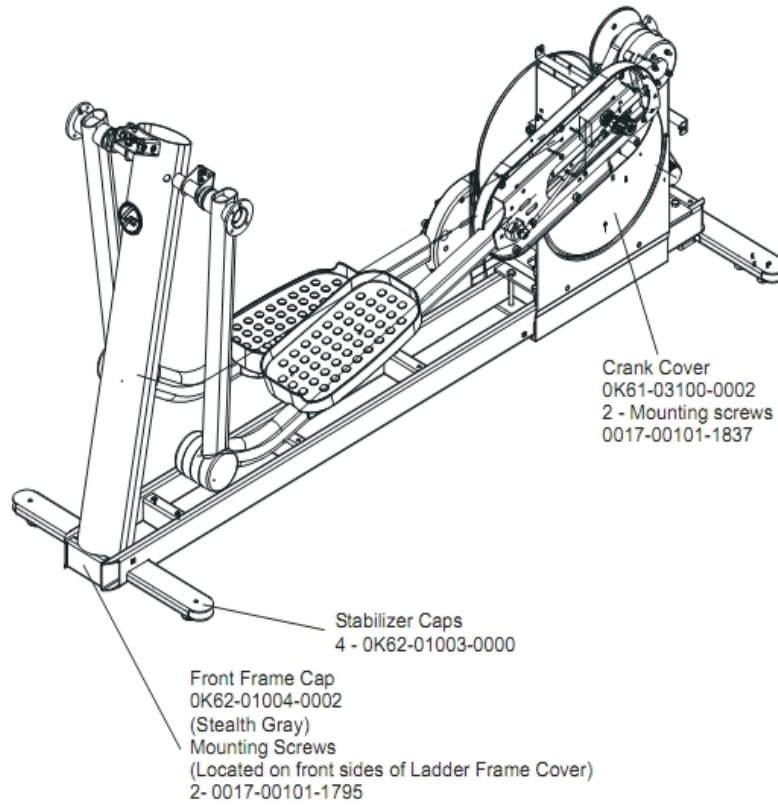
Ref #	Part Number	Qty	Description
-	OK62-01031-0001	1	Cap
-	OK62-01011-0000	1	Left Inside Deadshaft Cover
-	OK62-01007-0001	1	Bullhorn Cover Right
-	OK62-01012-0000	2	Front Outside Deadshaft Cover
-	OK62-01009-0000	2	Front Inside Deadshaft Cover
-	OK62-01010-0000	1	Right Inside Deadshaft Cover
-	OK62-01008-0001	1	Bullhorn Cover Left
-	AK62-00123-0000	1	Console Support
-	OK62-01030-0001	1	Console Support Cap
-	OK62-01013-0000	2	Rear Outside Deadshaft Cover
-	OK62-01023-0001	1	Console Support Shroud
-	0017-00042-0754	1	Hardware: Grommet

Crank Arm Pulley Assembly



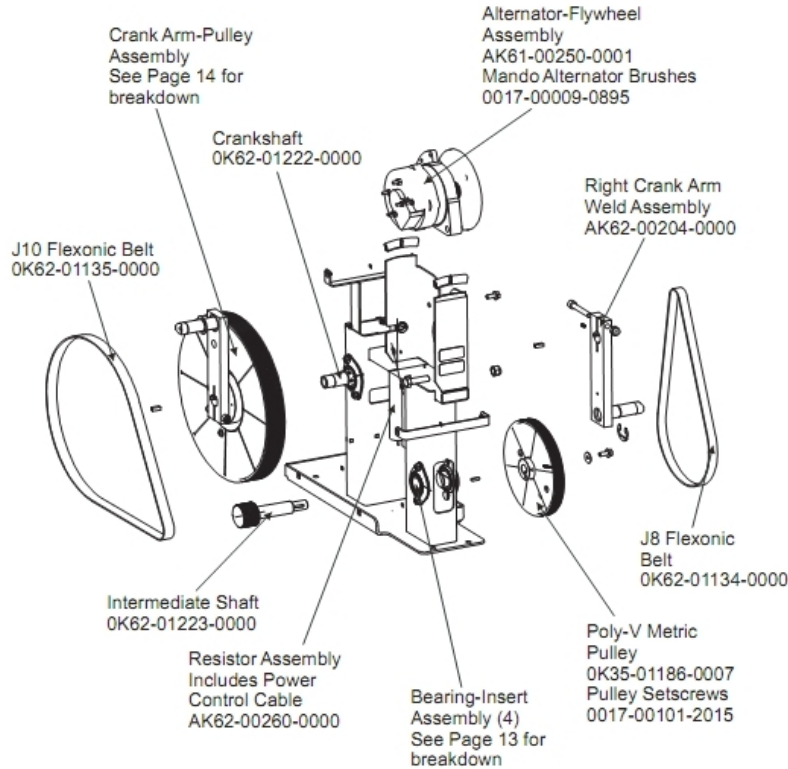
Ref #	Part Number	Qty	Description
-	0017-00100-0107	1	Hardware: E-Ring 1"
-	0K61-02302-0001	1	Crankshaft Plate
-	0017-00101-1849	1	Hardware: Crank arm mounting bolt
-	0K61-02409-0000	1	Poly-V Crank Pulley
-	AK62-00205-0000	1	Crankarm
-	0017-00101-1834	4	Hardware: Screw 24MM
-	0017-00103-0334	1	Hardware: Nut 10 MM
-	0017-00104-0144	1	Hardware: Washer 0.625" OD
-	0017-00101-1835	1	Hardware: Screw 10MM
-	AK62-00186-0000	1	Magnet-Standoff Assembly

Crank Cover And Lower Caps



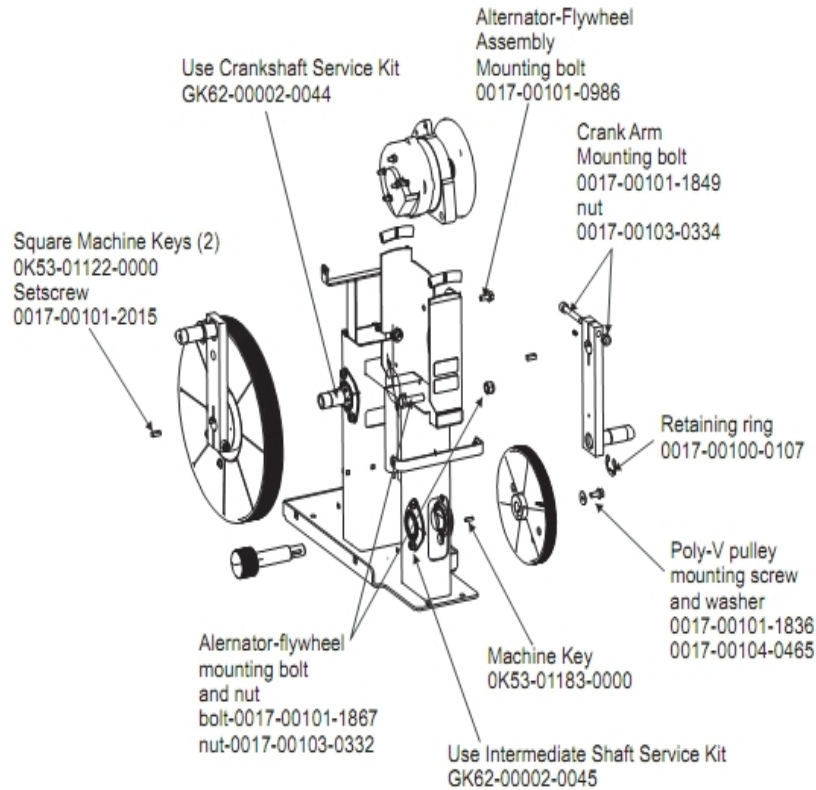
Ref #	Part Number	Qty	Description
-	0017-00101-1795	2	Hardware: Mounting Screw
-	0K62-01004-0002	1	Front frame Cap
-	0K68-01130-0300	4	CAP; STABILIZER; STEALTH GREY
-	0017-00101-1837	2	Hardware: Screw 18MM
-	0K61-03100-0002	1	Crank Cover

Drive Module



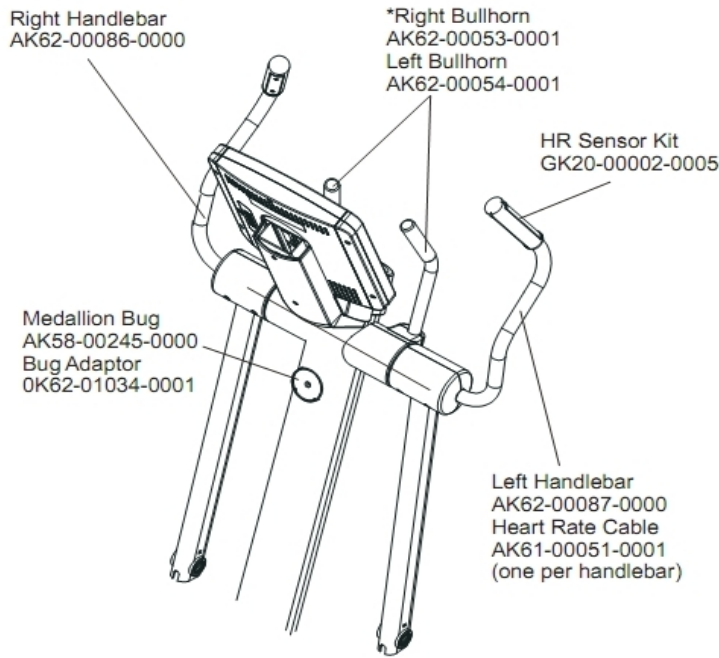
Ref #	Part Number	Qty	Description
-	0K62-01134-0000	1	Flexonic Belt
-	0K62-01135-0000	1	Drive Belt
-	0017-00009-0895	1	Alternator Brush Kit
-	0K62-01222-0001	1	Crankshaft
-	AK62-00204-0000	1	Right Crankarm
-	0K35-01186-0007	1	Poly-V Pulley
-	0K62-01223-0000	1	Intermediate Shaft
-	AK61-00250-0001	1	Alternator w/Flywheel
-	AK62-00260-0000	1	Resistor Assembly
-	0017-00101-2015	1	Hardware: Pulley Set Screw 15 MM

Drive Module Hardware



Ref #	Part Number	Qty	Description
-	0017-00101-1849	1	Hardware: Crank arm mounting bolt
-	0017-00104-0465	1	Hardware: Flat Washer 23MM OD
-	OK53-01122-0000	2	Square Key
-	OK53-01183-0000	1	Hex key
-	GK62-00002-0044	1	Crankshaft Bearing Kit
-	0017-00103-0334	1	Hardware: Nut 10 MM
-	0017-00101-0986	1	Hardware: Bolt 0.75"
-	0017-00101-1836	1	Hardware: Screw 10 MM
-	GK62-00002-0045	1	Intermediate Shaft Bearing Kit
-	0017-00101-1867	1	Hardware: Mounting Bolt 45 MM
-	0017-00100-0107	1	Hardware: E-Ring 1"
-	0017-00103-0332	1	Hardware: Mounting Nut
-	0017-00101-2015	1	Hardware: Pulley Set Screw 15 MM

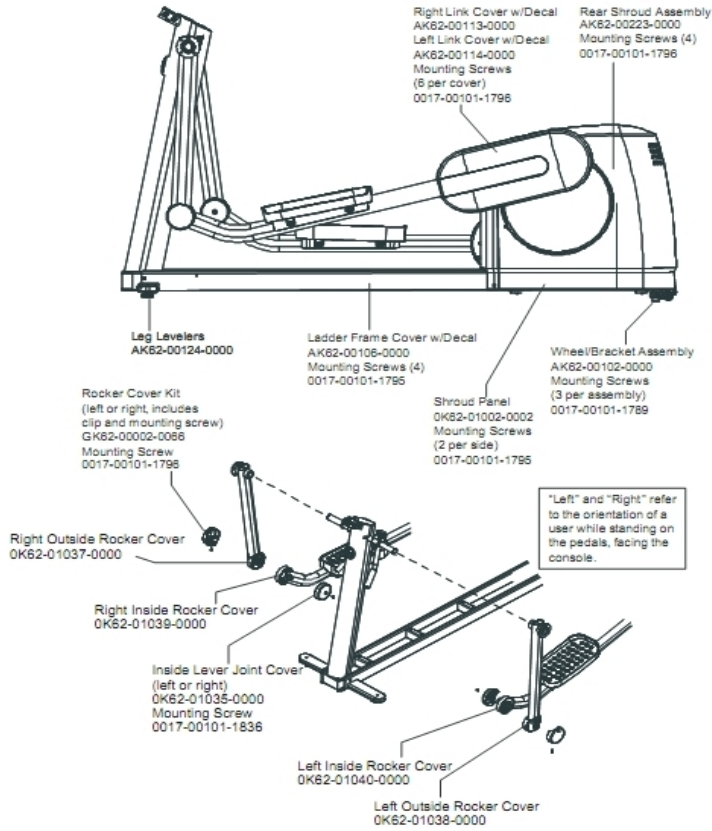
Handlebars And Bullhorns



*Right Bullhorn Assembly consists of: AK62-00057-0001 Bullhorn,
OK62-01136-0000 Grip and OK62-01199-0000 Gasket
Left Bullhorn Assembly consists of: AK62-00058-0001 Bullhorn,
OK62-01136-0000 Grip and OK62-01199-0000 Gasket

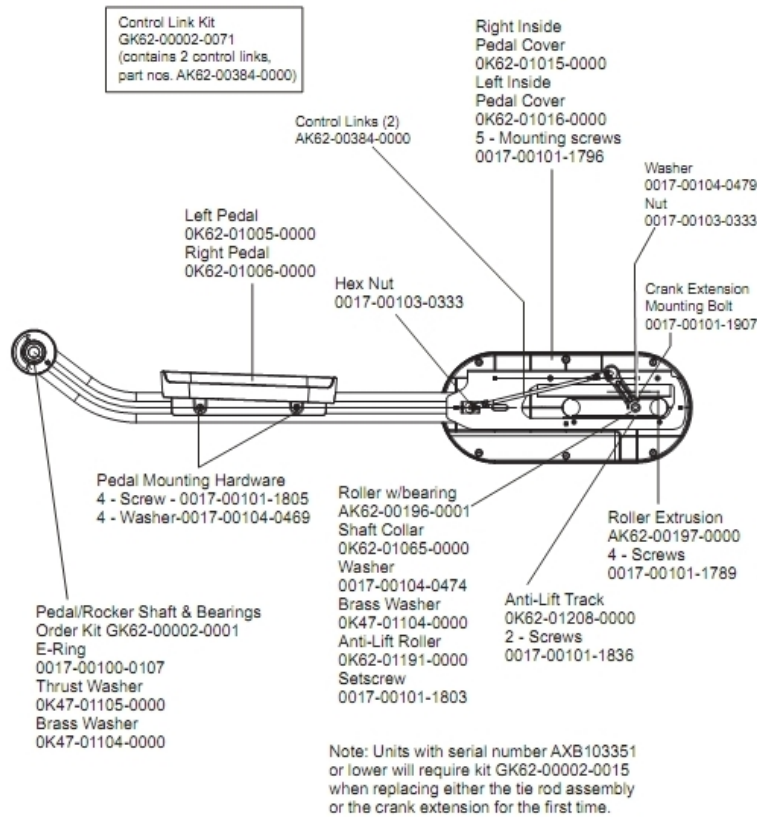
Ref #	Part Number	Qty	Description
-	OK62-01199-0000	2	Bullhorn Gasket
-	OK62-01034-0001	1	Bug Adaptor
-	AK58-00245-0000	1	Bug Medallion
-	GK20-00002-0005	1	Heart Rate Electrode Kit
-	AK62-00057-0001	1	Right Bullhorn
-	AK62-00087-0000	1	Handlebar: Left
-	OK62-01136-0000	2	Grip
-	AK62-00053-0001	1	Right Bullhorn
-	AK62-00058-0001	1	Left Bullhorn
-	AK62-00086-0000	1	Handlebar: Right
-	AK61-00051-0001	1	Lifepulse: User-Arm
-	AK62-00054-0001	1	Left Bullhorn

Lower Frame Shrouds And Hardware



Ref #	Part Number	Qty	Description
-	OK62-01035-0000	1	Inside Lever Joint Cover
-	OK62-01038-0000	1	Left Inside Rocker Cover
-	OK62-01037-0000	1	
-	AK62-00114-0000	1	Link Cover with Decal: Left
-	GK62-00002-0066	1	Rocker Cover Kit
-	0017-00101-1795	6	Hardware: Mounting Screw
-	0017-00101-1836	1	Hardware: Screw 10 MM
-	AK62-00102-0000	1	Wheel/Bracket Assembly
-	AK62-00223-0000	1	Rear Shroud Assembly
-	OK62-01002-0003	1	Shroud Panel
-	0017-00101-1789	3	Hardware: Mounting Screws
-	OK62-01039-0000	1	Right Inside Lever Joint Cover
-	0017-00101-1796	11	Hardware: Mounting Screw 19 MM
-	AK62-00113-0000	1	Link Cover with Decal: Right
-	OK62-01040-0000	1	Left Inside Lever Joint Cover
-	AK62-00106-0001	1	Ladder Frame Cover with Decal
-	AK62-00124-0000	1	Leg Leveler

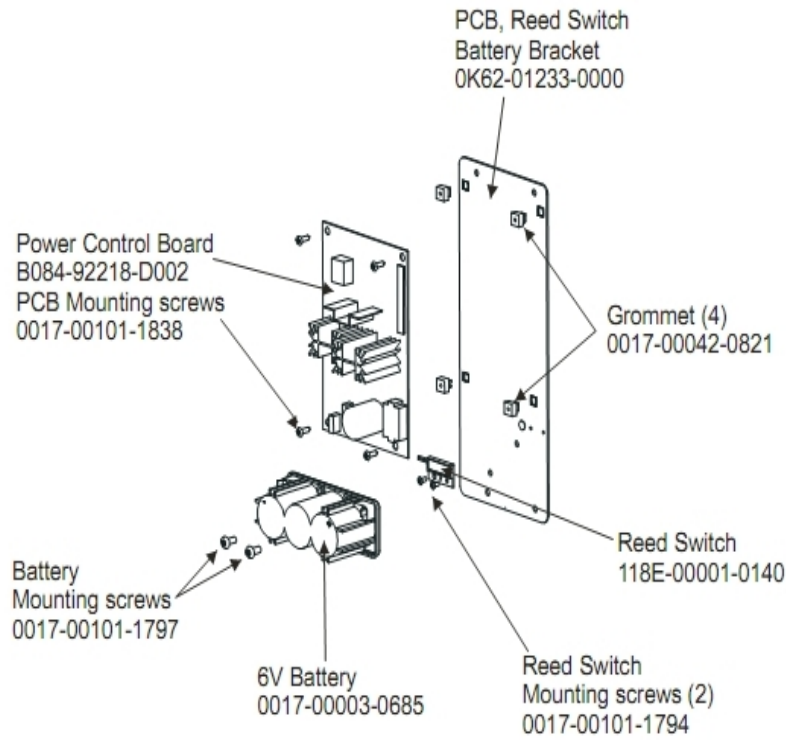
Pedal Lever Assembly Components



Ref #	Part Number	Qty	Description
-	OK62-01065-0000	1	Shaft Collar
-	OK62-01015-0000	1	Inside Pedal Cover Right
-	0017-00104-0479	1	Hardware: Flat Washer 25.4MM OD
-	0017-00101-1836	2	Hardware: Screw 10 MM
-	0017-00104-0469	4	Hardware: Flat Washer 16MM OD
-	0017-00101-1907	1	Hardware: Crank Extension Mounting Bolt
-	0017-00101-1805	4	Hardware: TORX Screw 25 MM
-	0017-00103-0333	2	Hardware: Hex Nut
-	0017-00101-1803	1	Hardware: Setscrew
-	OK62-01191-0000	1	Anti-Lift Roller
-	OK47-01105-0000	1	Hardware: Hardened Thrust Washer
-	0017-00104-0474	1	Hardware: Washer
-	0017-00101-1796	5	Hardware: Mounting Screw 19 MM
-	OK62-01208-0000	1	Anti-Lift Track
-	OK62-01016-0000	1	Inside Pedal Cover Left
-	OK62-01006-0000	1	Right Pedal
-	OK62-01005-0000	1	Left Pedal
-	0017-00101-1789	4	Hardware: Mounting Screws
-	GK62-00002-0071	5	Control Link Kit
-	GK62-00002-0001	1	Pedal/Rocker Shaft and Bearings
-	AK62-00197-0000	1	Roller Extrusion
-	AK62-00196-0001	1	Roller with Bearing

Ref #	Part Number	Qty	Description
-	0017-00100-0107	1	Hardware: E-Ring 1"
-	0K47-01104-0000	2	Hardware: Thrust Washer

PCB, Battery, Reed Switch And Bracket

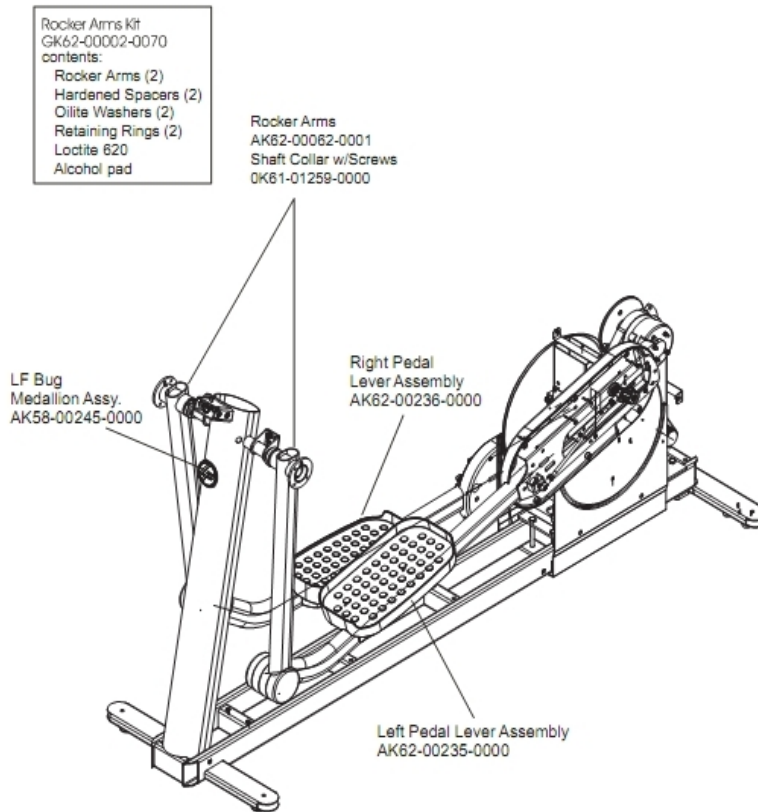


Ref #	Part Number	Qty	Description
-	B084-92218-0000	1	PCB Circuit Board
-	0017-00101-1838	1	Hardware: Mounting Screw 19 MM
-	0017-00101-1794	2	Hardware: Screw 10MM
-	118E-00001-0140	1	Reed Switch SPDT
-	0K62-01233-0000	1	PCB Reed Switch Battery Bracket
-	0017-00101-1797	1	Hardware: Mounting Screw 16 MM
-	0017-00042-0821	4	Hardware: Plastic Grommet
-	0017-00003-0685	1	6V Battery

References

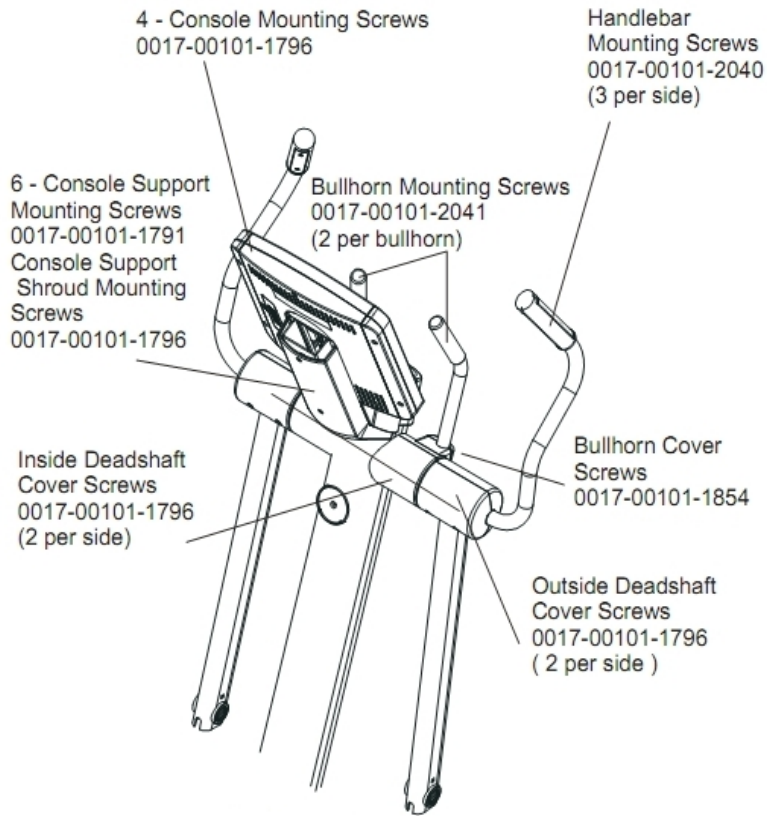
Ref #	Part Number	Qty	Description
-	GK62-00002-0021	1	Plug in Option 230/50
-	0017-00008-0206	1	.33oz Pen - Arctic Silver
-	GK62-00002-0018	1	Plug in Option 120/60
-	0017-00008-0204	1	Paint Spray Can - Arctic Silver
-	M051-00K20-C408	1	Warranty Card
-	0017-00008-0205	1	5 oz Bottle - Arctic Silver
-	AK62-00152-0001	1	Hardware Bag
-	0K62-01104-0000	1	Hardware: Plate

Rocker Arms And Pedal Levers



Ref #	Part Number	Qty	Description
-	AK62-00236-0000	1	Right Pedal Lever Assembly
-	GK62-00002-0070	2	Rocker Arm Kit
-	AK58-00245-0000	1	Bug Medallion
-	OK61-01259-0000	1	Shaft Split Collar
-	AK62-00235-0000	1	Left Pedal Lever Assembly

Upper Frame Hardware



Ref #	Part Number	Qty	Description
-	0017-00101-2041	2	Hardware: Bullhorn Mounting Screw
-	0K62-01022-0001	1	Accessory Tray
-	0017-00101-1854	1	Hardware: Bullhorn Cover Screw 44MM
-	0017-00101-1796	13	Hardware: Mounting Screw 19 MM
-	0017-00101-2040	3	Hardware: Handlebar Mounting Screw
-	0017-00101-1791	6	Hardware: TORX Screw 19 MM
-	0017-00101-1846	2	Hardware: Phillips Pan Screw 10 MM

