

95Xi Cross-Trainer

95X-0100-03

Parts Manual

1/5/2019 11:19:13 AM



Table of Contents

Bearing Insert Assembly	3
Cables	4
Console and Related Components	5
Console Support and Deadshaft Covers	6
Crank Arm Pulley Assembly	7
Crank Cover and Lower Caps	8
Drive Module	9
Drive Module Hardware	10
Handlebars and Bullhorns	11
Lower Frame Shrouds and Hardware	12
Pedal Lever Assembly Components	13
PCB, Battery, Reed Switch and Bracket	15
References	16
Rocker Arms and Pedal Levers	17
Upper Frame Hardware	18

Bearing Insert Assembly

Service Kit- GK62-00002-0044

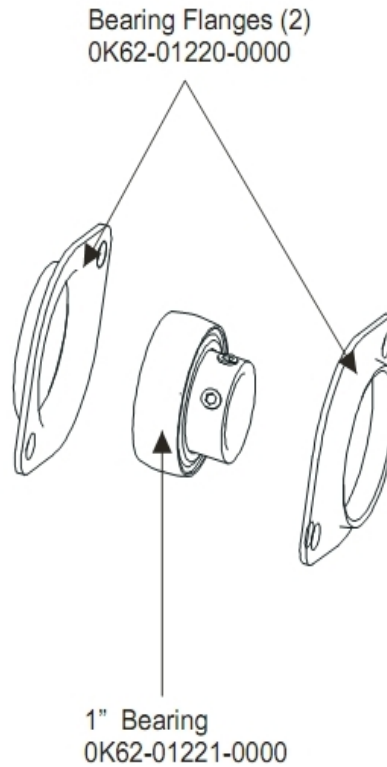
Includes:

- 1 - crankshaft
- 2 - bearings
- 2 - sets of bearing flanges
- 4 - weldnuts and flat washers
- 4 - bolts

Service Kit- GK62-00002-0045

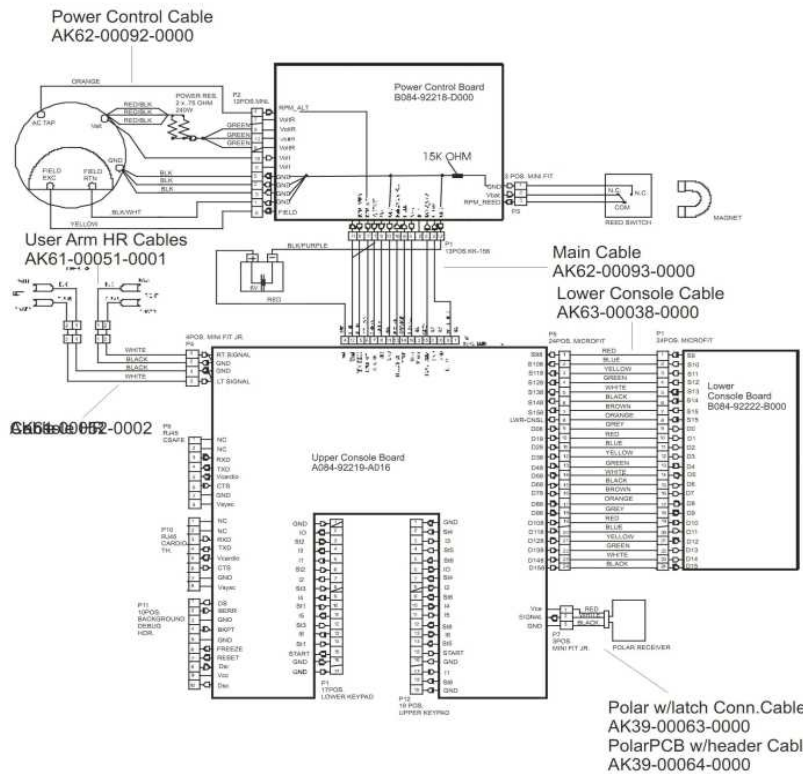
Includes:

- 1 - intermediate shaft
- 2 - bearings
- 2 - sets of bearing flanges
- 4 - weldnuts and flat washers
- 4 - bolts



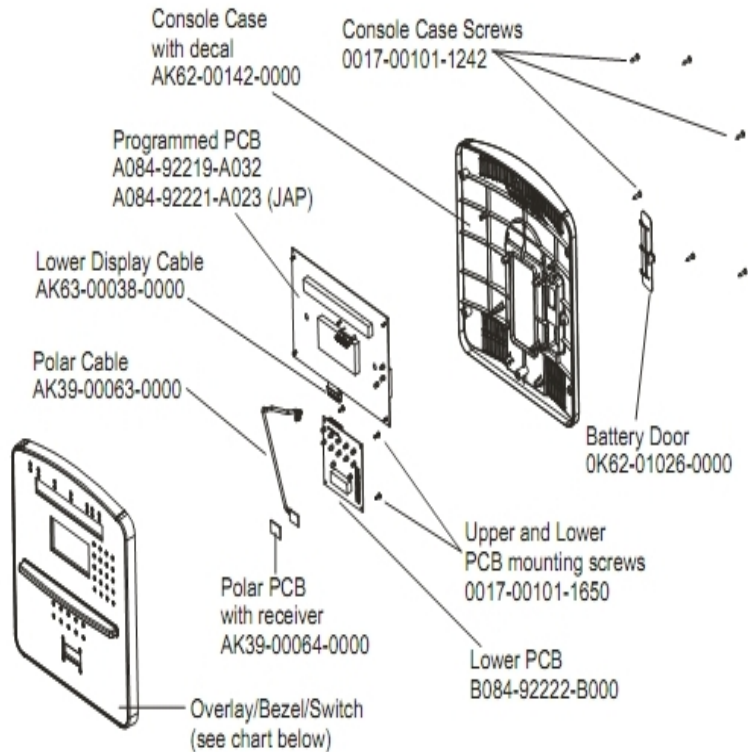
Ref #	Part Number	Qty	Description
-	GK62-00002-0044	1	Crankshaft Bearing Kit
-	0K62-01221-0000	1	1" Bearing
-	GK62-00002-0045	1	Intermediate Shaft Bearing Kit
-	0K62-01220-0000	2	Bearing Flange

Cables



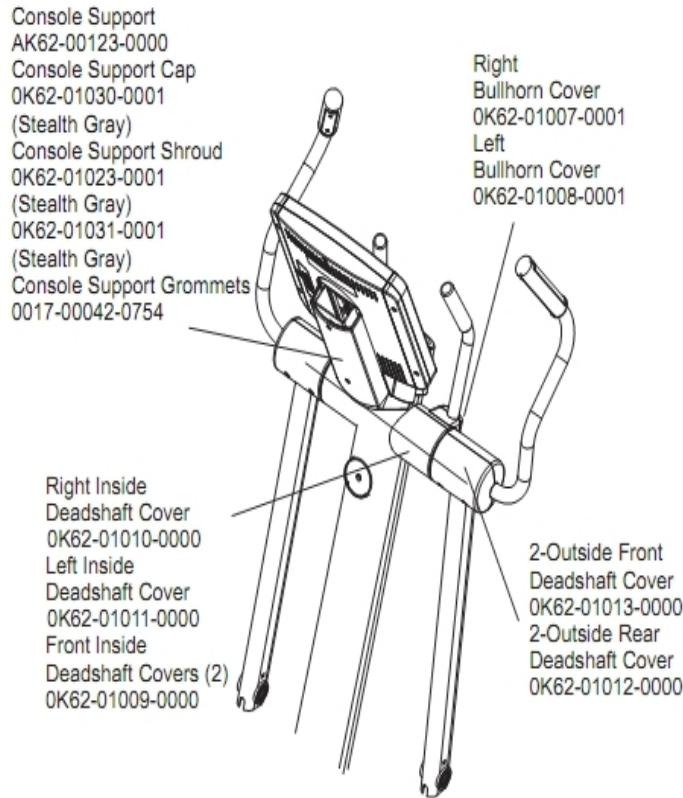
Ref #	Part Number	Qty	Description
-	118E-00001-0259	1	Wireless Receiver Module, Non-Coded
-	AK61-00052-0002	1	Lifepulse Sensor Cable
-	B084-92218-0000	1	PCB Circuit Board
-	B084-92222-B000	1	Console Board - Lower
-	AK62-00093-0000	1	Main Cable
-	AK62-00092-0000	1	Power Control Cable
-	AK61-00051-0001	1	Lifepulse: User-Arm
-	A084-92219-A016	1	Console Board - Upper
-	AK39-00063-0000	1	Polar Cable
-	AK63-00038-0000	1	Lower Console Cable

Console and Related Components



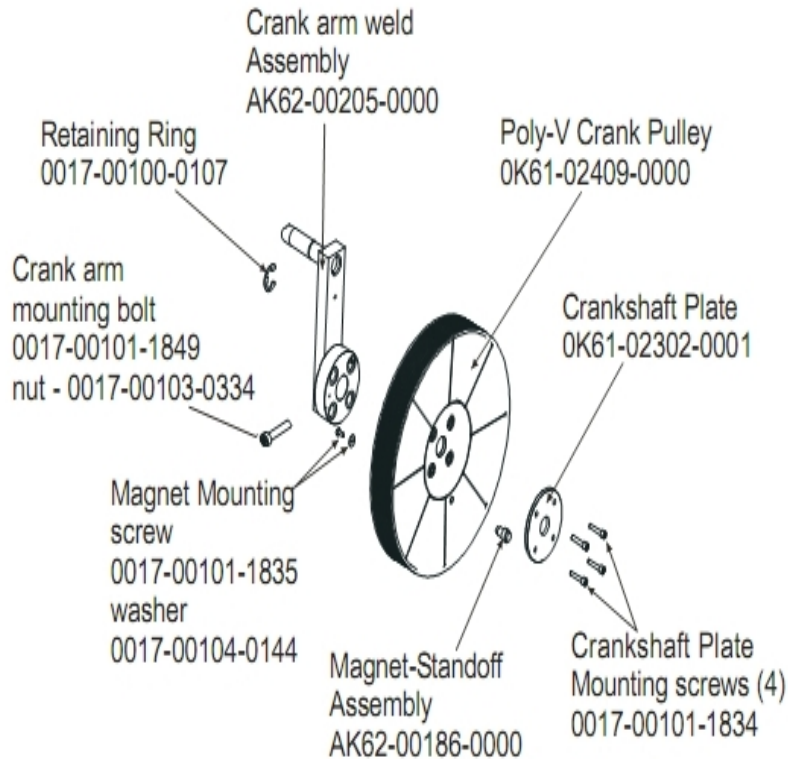
Ref #	Part Number	Qty	Description
-	118E-00001-0259	1	Wireless Receiver Module, Non-Coded
-	A084-92219-A032	1	Programmed PCB
-	AK62-00191-0001	1	Bezel Switch with Overlay: English/Metric
-	AK62-00329-0001	1	Console English/Metric
-	AK63-00038-0000	1	Lower Console Cable
-	0K62-01026-0000	1	Battery Door
-	AK62-00142-0000	1	Console Case with Decal
-	AK39-00063-0000	1	Polar Cable
-	0017-00101-1242	6	Hardware: Phillips Pan Screw 0.75"
-	0017-00101-1650	2	Hardware: Phillips Pan Screw 0.375"
-	B084-92222-B000	1	Console Board - Lower

Console Support and Deadshaft Covers



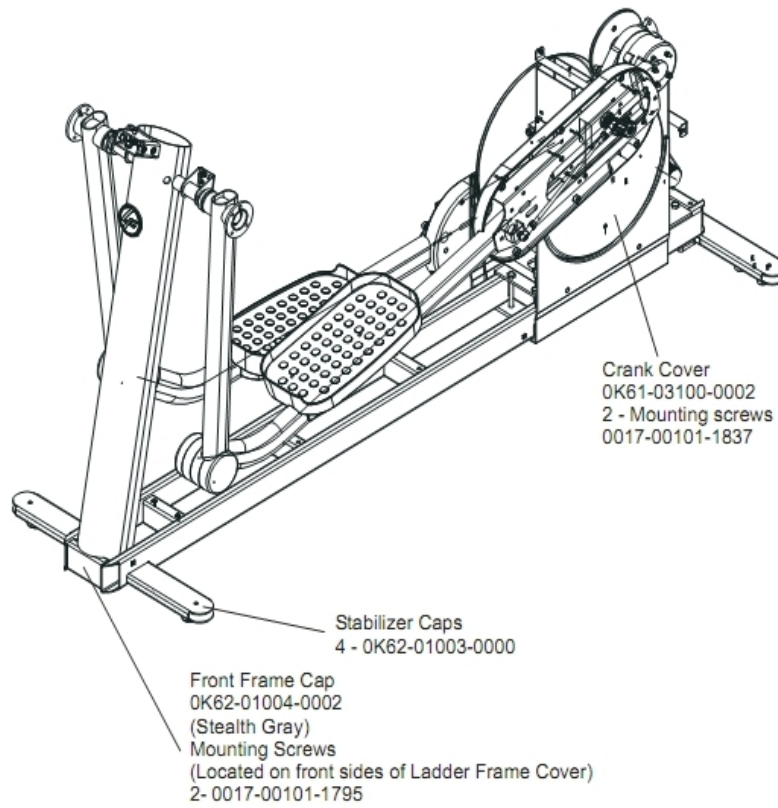
Ref #	Part Number	Qty	Description
-	OK62-01013-0000	2	Rear Outside Deadshaft Cover
-	AK62-00123-0000	1	Console Support
-	OK62-01010-0000	1	Right Inside Deadshaft Cover
-	0017-00042-0754	1	Hardware: Grommet
-	OK62-01030-0001	1	Console Support Cap
-	OK62-01012-0000	2	Front Outside Deadshaft Cover
-	OK62-01031-0001	1	Cap
-	OK62-01011-0000	1	Left Inside Deadshaft Cover
-	OK62-01008-0001	1	Bullhorn Cover Left
-	OK62-01009-0000	2	Front Inside Deadshaft Cover
-	OK62-01023-0001	1	Console Support Shroud
-	OK62-01007-0001	1	Bullhorn Cover Right

Crank Arm Pulley Assembly



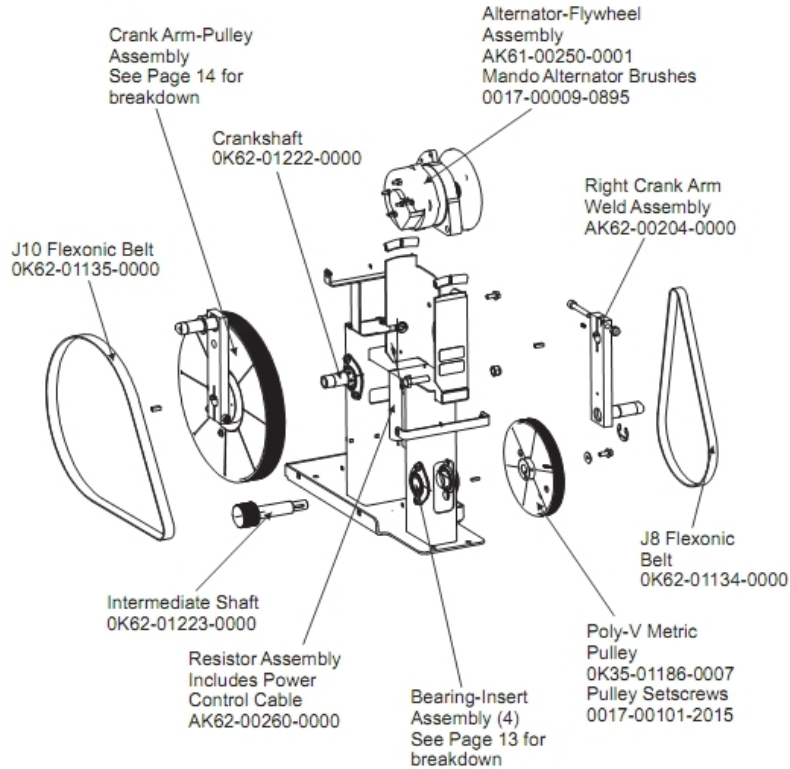
Ref #	Part Number	Qty	Description
-	AK62-00186-0000	1	Magnet-Standoff Assembly
-	0017-00101-1835	1	Hardware: Screw 10MM
-	AK62-00205-0000	1	Crankarm
-	0K61-02302-0001	1	Crankshaft Plate
-	0017-00101-1834	4	Hardware: Screw 24MM
-	0K61-02409-0000	1	Poly-V Crank Pulley
-	0017-00101-1849	1	Hardware: Crank arm mounting bolt
-	0017-00104-0144	1	Hardware: Washer 0.625" OD
-	0017-00103-0334	1	Hardware: Nut 10 MM
-	0017-00100-0107	1	Hardware: E-Ring 1"

Crank Cover and Lower Caps



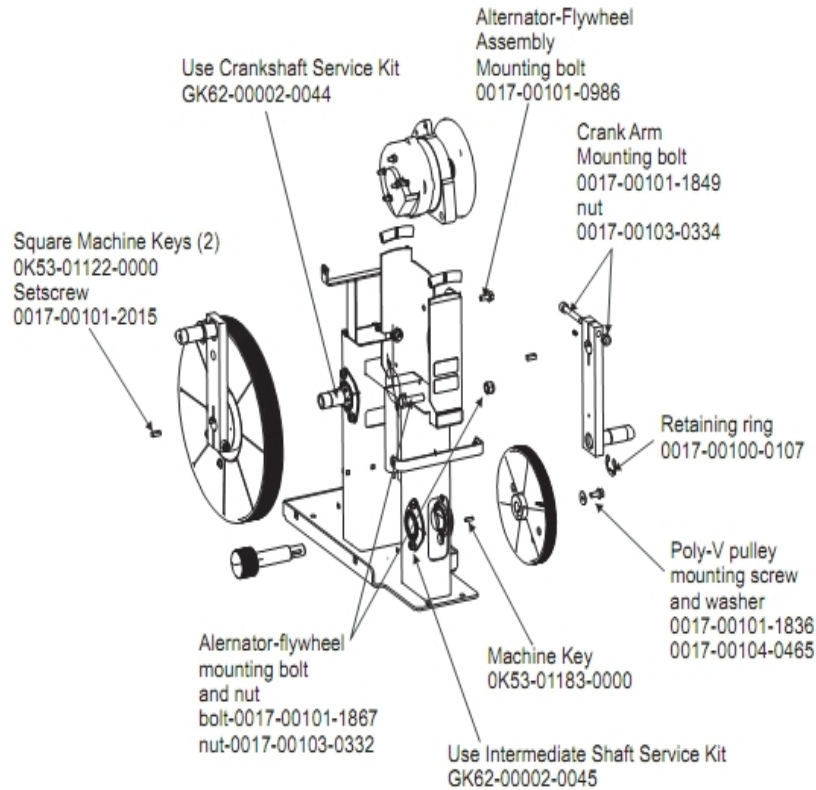
Ref #	Part Number	Qty	Description
-	0K61-03100-0002	1	Crank Cover
-	0017-00101-1795	2	Hardware: Mounting Screw
-	0K68-01130-0200	4	CAP; STABILIZER; SHADOW GREY
-	0017-00101-1837	2	Hardware: Screw 18MM
-	0K62-01004-0002	1	Front frame Cap

Drive Module



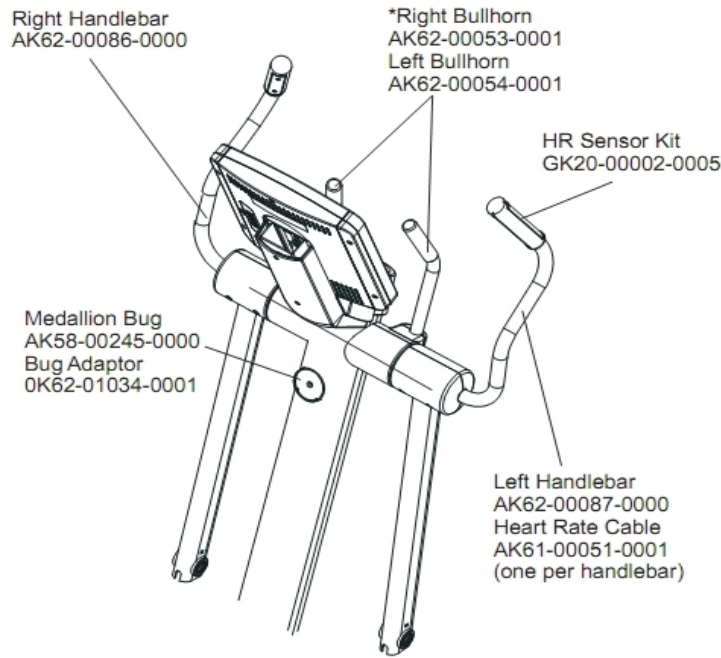
Ref #	Part Number	Qty	Description
-	OK62-01134-0000	1	Flexonic Belt
-	OK62-01135-0000	1	Drive Belt
-	OK62-01222-0001	1	Crankshaft
-	0017-00009-0895	1	Alternator Brush Kit
-	AK62-00204-0000	1	Right Crankarm
-	OK35-01186-0007	1	Poly-V Pulley
-	OK62-01223-0000	1	Intermediate Shaft
-	AK62-00260-0000	1	Resistor Assembly
-	AK61-00250-0001	1	Alternator w/Flywheel
-	0017-00101-2015	2	Hardware: Pulley Set Screw 15 MM

Drive Module Hardware



Ref #	Part Number	Qty	Description
-	0017-00101-1849	1	Hardware: Crank arm mounting bolt
-	0017-00104-0465	1	Hardware: Flat Washer 23MM OD
-	OK53-01122-0000	2	Square Key
-	OK53-01183-0000	1	Hex key
-	GK62-00002-0044	1	Crankshaft Bearing Kit
-	0017-00103-0334	1	Hardware: Nut 10 MM
-	0017-00101-0986	1	Hardware: Bolt 0.75"
-	0017-00101-1836	1	Hardware: Screw 10 MM
-	GK62-00002-0045	1	Intermediate Shaft Bearing Kit
-	0017-00101-1867	1	Hardware: Mounting Bolt 45 MM
-	0017-00100-0107	1	Hardware: E-Ring 1"
-	0017-00103-0332	1	Hardware: Mounting Nut
-	0017-00101-2015	1	Hardware: Pulley Set Screw 15 MM

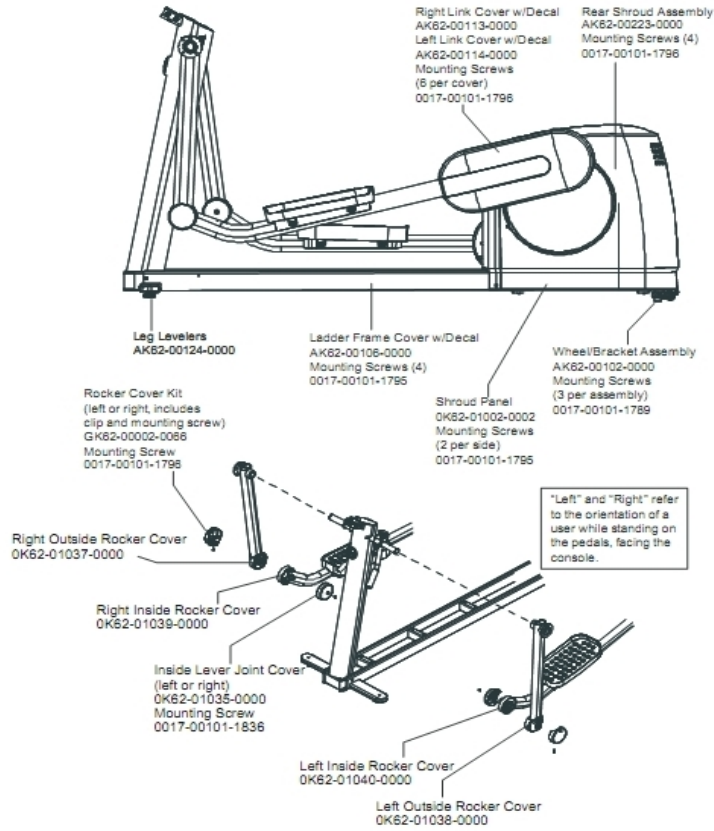
Handlebars and Bullhorns



*Right Bullhorn Assembly consists of: AK62-00057-0001 Bullhorn,
0K62-01136-0000 Grip and 0K62-01199-0000 Gasket
Left Bullhorn Assembly consists of: AK62-00058-0001 Bullhorn,
0K62-01136-0000 Grip and 0K62-01199-0000 Gasket

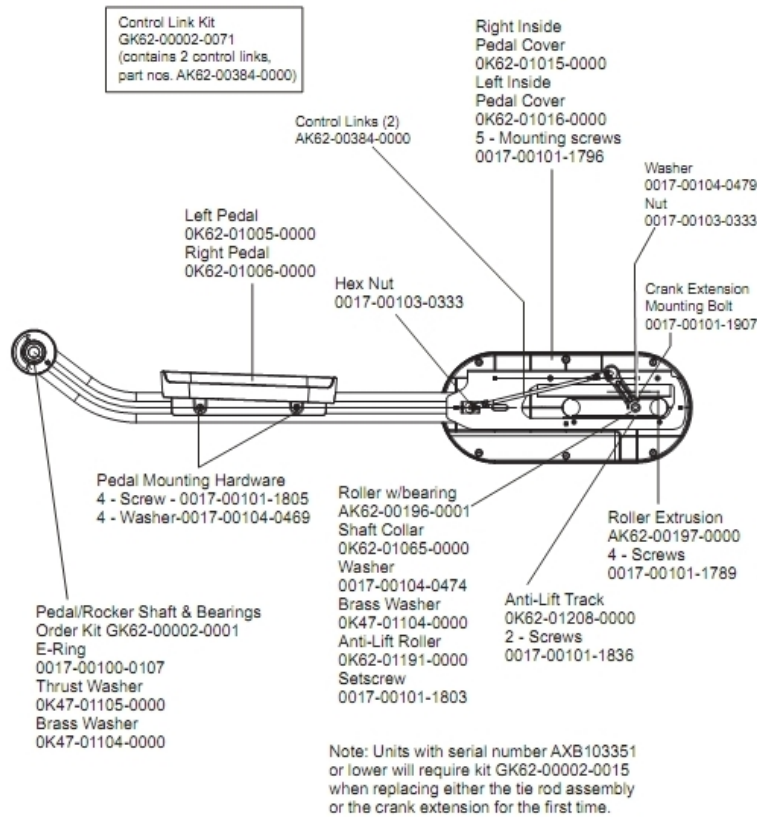
Ref #	Part Number	Qty	Description
-	0K62-01199-0000	2	Bullhorn Gasket
-	0K62-01034-0001	1	Bug Adaptor
-	AK58-00245-0000	1	Bug Medallion
-	GK20-00002-0005	1	Heart Rate Electrode Kit
-	AK62-00057-0001	1	Right Bullhorn
-	AK62-00087-0000	1	Handlebar: Left
-	0K62-01136-0000	2	Grip
-	AK62-00053-0001	1	Right Bullhorn
-	AK62-00058-0001	1	Left Bullhorn
-	AK62-00086-0000	1	Handlebar: Right
-	AK61-00051-0001	1	Lifepulse: User-Arm
-	AK62-00054-0001	1	Left Bullhorn

Lower Frame Shrouds and Hardware



Ref #	Part Number	Qty	Description
-	OK62-01035-0000	1	Inside Lever Joint Cover
-	OK62-01038-0000	1	Left Inside Rocker Cover
-	OK62-01037-0000	1	
-	AK62-00114-0000	1	Link Cover with Decal: Left
-	GK62-00002-0066	1	Rocker Cover Kit
-	0017-00101-1795	8	Hardware: Mounting Screw
-	0017-00101-1836	1	Hardware: Screw 10 MM
-	AK62-00102-0000	2	Wheel/Bracket Assembly
-	AK62-00223-0000	1	Rear Shroud Assembly
-	OK62-01002-0003	1	Shroud Panel
-	0017-00101-1789	6	Hardware: Mounting Screws
-	OK62-01039-0000	1	Right Inside Lever Joint Cover
-	0017-00101-1796	17	Hardware: Mounting Screw 19 MM
-	OK62-01040-0000	1	Left Inside Lever Joint Cover
-	AK62-00106-0001	1	Ladder Frame Cover with Decal
-	AK62-00113-0000	1	Link Cover with Decal: Right
-	AK62-00124-0000	2	Leg Leveler

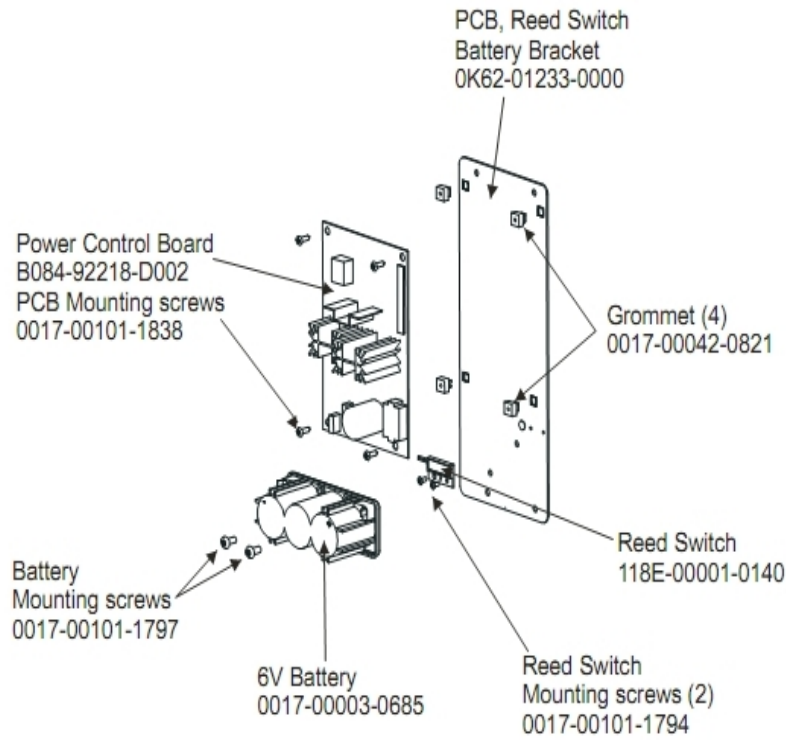
Pedal Lever Assembly Components



Ref #	Part Number	Qty	Description
-	AK62-00196-0001	2	Roller with Bearing
-	0017-00101-1789	8	Hardware: Mounting Screws
-	GK62-0002-0001	2	Pedal/Rocker Shaft and Bearings
-	0017-00101-1836	4	Hardware: Screw 10 MM
-	0017-00104-0479	2	Hardware: Flat Washer 25.4MM OD
-	OK62-01015-0000	1	Inside Pedal Cover Right
-	OK62-01065-0000	2	Shaft Collar
-	0017-00101-1805	8	Hardware: TORX Screw 25 MM
-	GK62-0002-0071	10	Control Link Kit
-	OK62-01191-0000	2	Anti-Lift Roller
-	OK47-01105-0000	2	Hardware: Hardened Thrust Washer
-	0017-00103-0333	4	Hardware: Hex Nut
-	OK47-01104-0000	4	Hardware: Thrust Washer
-	0017-00104-0474	2	Hardware: Washer
-	0017-00101-1796	10	Hardware: Mounting Screw 19 MM
-	0017-00100-0107	2	Hardware: E-Ring 1"
-	0017-00101-1803	2	Hardware: Setscrew
-	OK62-01016-0000	1	Inside Pedal Cover Left
-	OK62-01005-0000	1	Left Pedal
-	0017-00101-1907	2	Hardware: Crank Extension Mounting Bolt
-	0017-00104-0469	8	Hardware: Flat Washer 16MM OD
-	OK62-01208-0000	2	Anti-Lift Track

Ref #	Part Number	Qty	Description
-	0K62-01006-0000	1	Right Pedal
-	AK62-00197-0000	2	Roller Extrusion

PCB, Battery, Reed Switch and Bracket

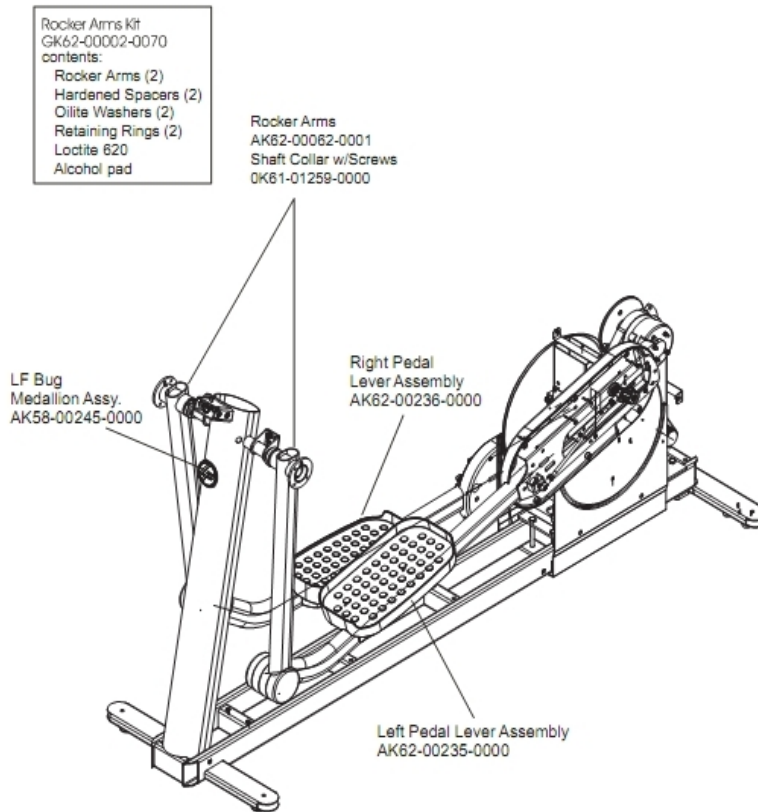


Ref #	Part Number	Qty	Description
-	118E-00001-0140	1	Reed Switch SPDT
-	0K62-01233-0000	1	PCB Reed Switch Battery Bracket
-	B084-92218-0000	1	PCB Circuit Board
-	0017-00101-1797	2	Hardware: Mounting Screw 16 MM
-	0017-00042-0821	4	Hardware: Plastic Grommet
-	0017-00003-0685	1	6V Battery
-	0017-00101-1838	4	Hardware: Mounting Screw 19 MM
-	0017-00101-1794	2	Hardware: Screw 10MM

References

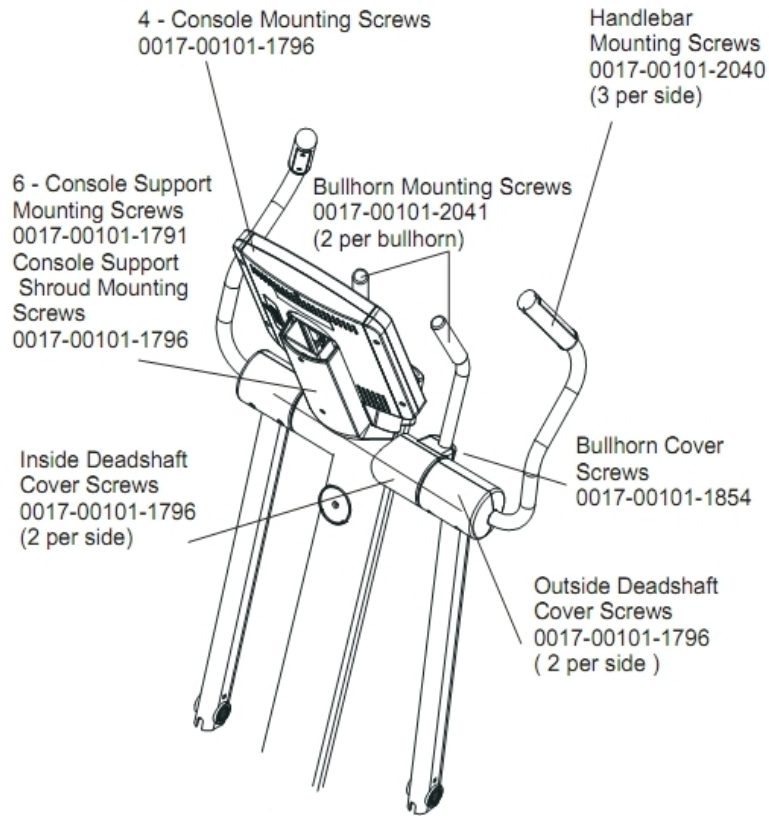
Ref #	Part Number	Qty	Description
-	GK62-00002-0018	1	Plug in Option 120/60
-	0017-00008-0206	1	.33oz Pen - Arctic Silver
-	0K62-01104-0000	1	Hardware: Plate
-	M051-00K20-C408	1	Warranty Card
-	0017-00008-0204	1	Paint Spray Can - Arctic Silver
-	AK62-00152-0001	1	Hardware Bag
-	0017-00008-0205	1	5 oz Bottle - Arctic Silver
-	GK62-00002-0021	1	Plug in Option 230/50

Rocker Arms and Pedal Levers



Ref #	Part Number	Qty	Description
-	AK62-00235-0000	1	Left Pedal Lever Assembly
-	GK62-00002-0070	3	Rocker Arm Kit
-	AK58-00245-0000	1	Bug Medallion
-	0K61-01259-0000	2	Shaft Split Collar
-	AK62-00236-0000	1	Right Pedal Lever Assembly

Upper Frame Hardware



Ref #	Part Number	Qty	Description
-	0017-00101-2041	4	Hardware: Bullhorn Mounting Screw
-	0017-00101-1846	4	Hardware: Phillips Pan Screw 10 MM
-	0017-00101-1854	2	Hardware: Bullhorn Cover Screw 44MM
-	0017-00101-2040	6	Hardware: Handlebar Mounting Screw
-	0K62-01022-0001	1	Accessory Tray
-	0017-00101-1791	6	Hardware: TORX Screw 19 MM
-	0017-00101-1796	13	Hardware: Mounting Screw 19 MM

