

95Xi Cross-Trainer - Lifepulse

95X-0103-01

Parts Manual

1/5/2019 11:19:13 AM

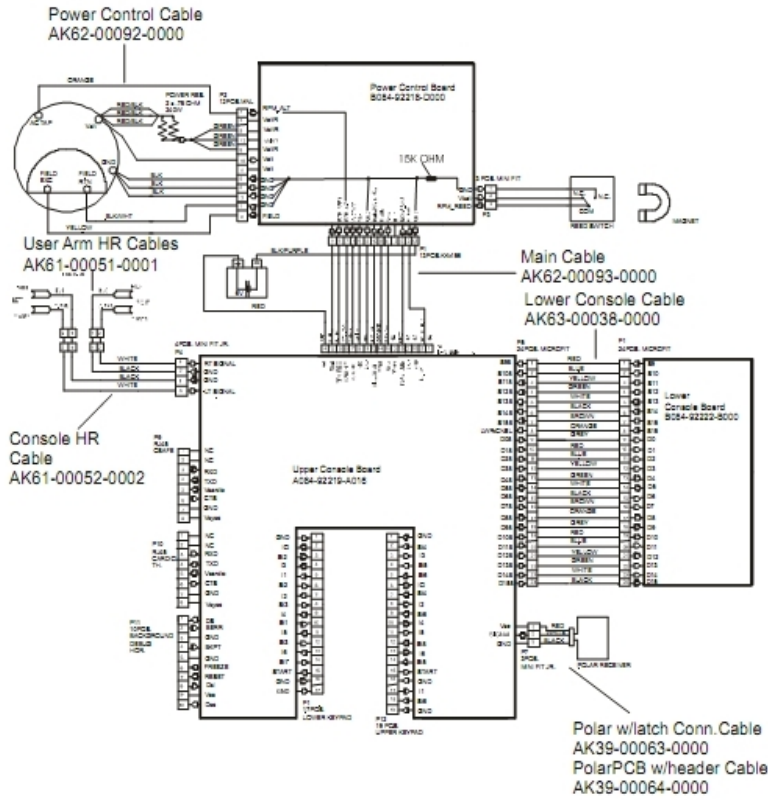


Lifefitness
WHAT WE LIVE FOR

Table of Contents

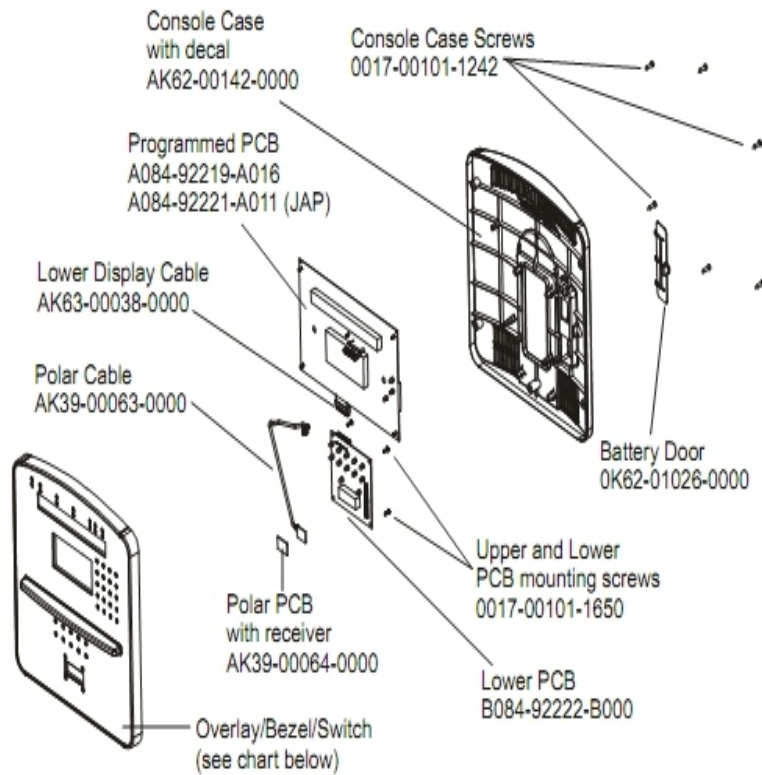
[Cables.....](#)3
[Console And Related Components.....](#)4
[Console Support And Deadshaft Covers.....](#)5
[Crank Cover And Lower Caps.....](#)6
[Drive Module Components And Cable.....](#)7
[Drive Module Hardware.....](#)8
[Handlebars And Bullhorns.....](#)9
[Lower Frame Shrouds And Hardware.....](#)10
[Pedal Lever Assembly Components.....](#)11
[References.....](#)13
[Rocker Arms And Pedal Levers.....](#)14
[Upper Frame Hardware.....](#)15

Cables



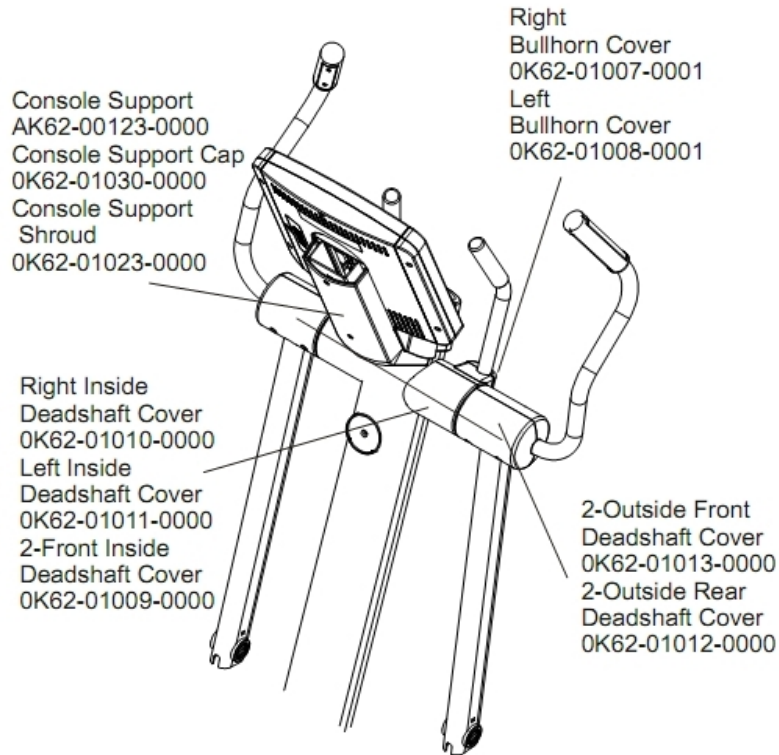
Ref #	Part Number	Qty	Description
-	AK61-00051-0001	1	Lifepulse: User-Arm
-	AK39-00063-0000	1	Polar Cable
-	A084-92219-A016	1	Console Board - Upper
-	AK63-00038-0000	1	Lower Console Cable
-	B084-92222-B000	1	Console Board - Lower
-	AK62-00093-0000	1	Main Cable
-	AK61-00052-0002	1	Lifepulse Sensor Cable
-	118E-00001-0259	1	Wireless Receiver Module, Non-Coded
-	B084-92218-0000	1	PCB Circuit Board
-	AK62-00092-0000	1	Power Control Cable

Console And Related Components



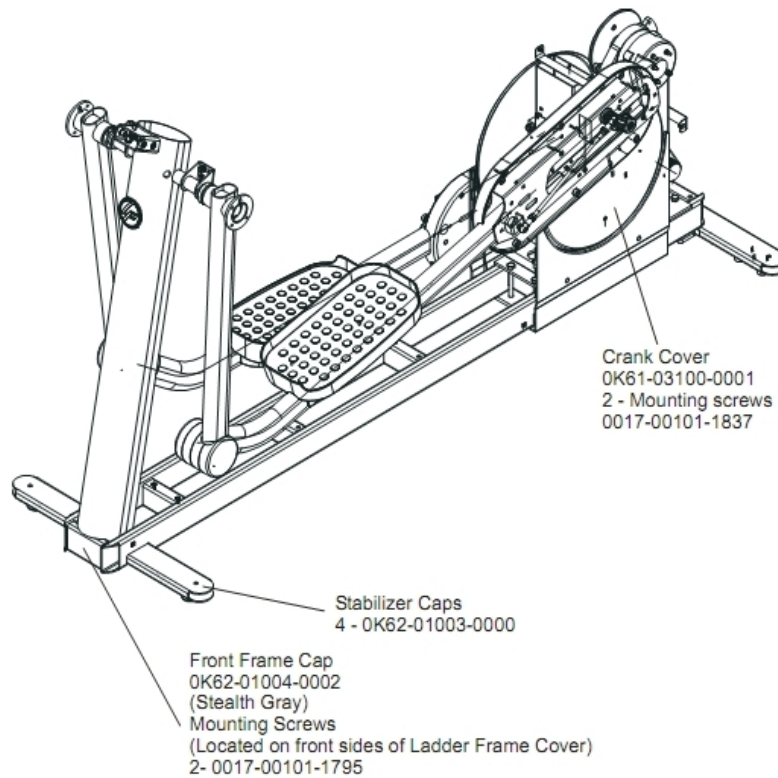
Ref #	Part Number	Qty	Description
-	AK63-00038-0000	1	Lower Console Cable
-	AK39-00063-0000	1	Polar Cable
-	B084-92222-B000	1	Console Board - Lower
-	AK62-00191-0001	1	Bezel Switch with Overlay: English/Metric
-	A084-92221-A011	1	PCB Assembly: Japanese
-	0K62-01026-0000	1	Battery Door
-	AK62-00142-0000	1	Console Case with Decal
-	A084-92219-A016	1	Console Board - Upper
-	0017-00101-1242	1	Hardware: Phillips Pan Screw 0.75"
-	0017-00101-1650	1	Hardware: Phillips Pan Screw 0.375"
-	AK62-00149-0001	1	Console: English/Metric
-	118E-00001-0259	1	Wireless Receiver Module, Non-Coded

Console Support And Deadshaft Covers



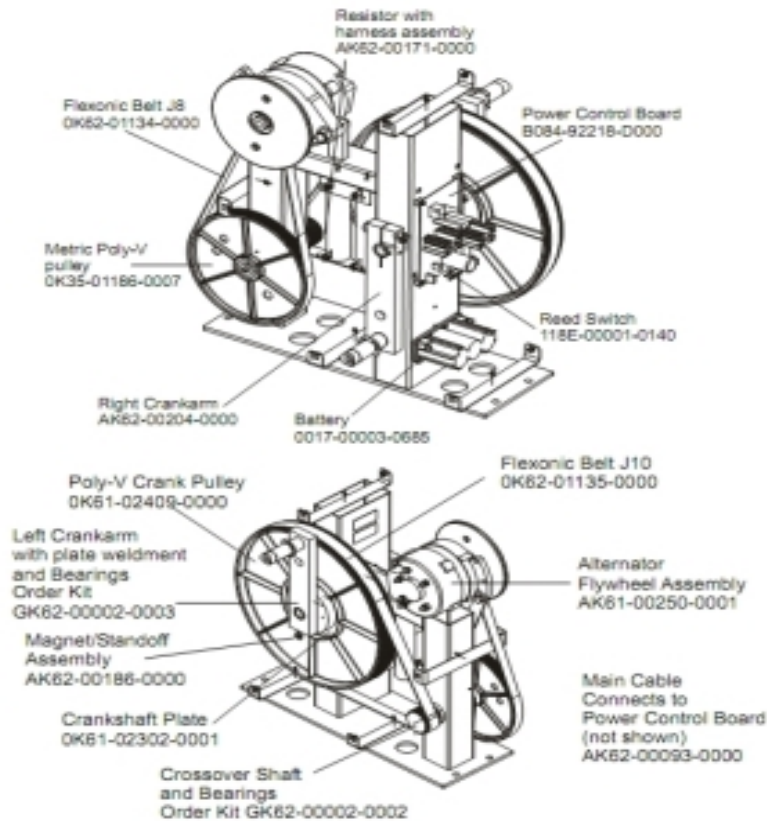
Ref #	Part Number	Qty	Description
-	0K62-01008-0001	1	Bullhorn Cover Left
-	0K62-01007-0001	1	Bullhorn Cover Right
-	AK62-00123-0000	1	Console Support
-	0K62-01023-0001	1	Console Support Shroud
-	0K62-01030-0001	1	Console Support Cap
-	0K62-01011-0000	1	Left Inside Deadshaft Cover
-	0K62-01012-0000	2	Front Outside Deadshaft Cover
-	0K62-01009-0000	2	Front Inside Deadshaft Cover
-	0K62-01013-0000	2	Rear Outside Deadshaft Cover
-	0K62-01010-0000	1	Right Inside Deadshaft Cover

Crank Cover And Lower Caps



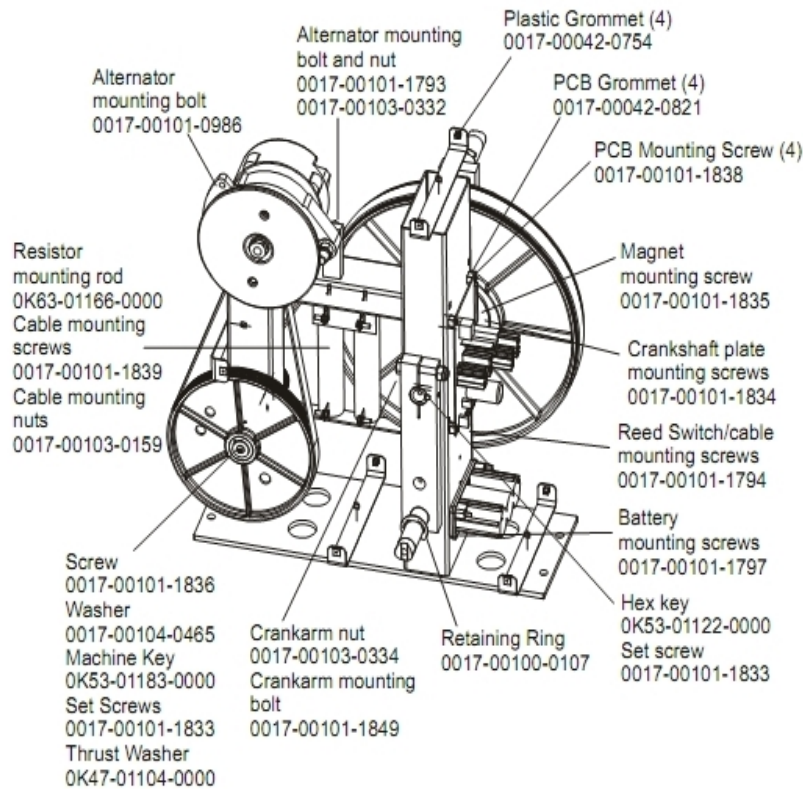
Ref #	Part Number	Qty	Description
-	0017-00101-1837	2	Hardware: Screw 18MM
-	0017-00101-1795	2	Hardware: Mounting Screw
-	0K68-01130-0300	4	CAP; STABILIZER; STEALTH GREY
-	0K61-03100-0001	1	Crank Cover
-	0K62-01004-0002	1	Front frame Cap

Drive Module Components And Cable



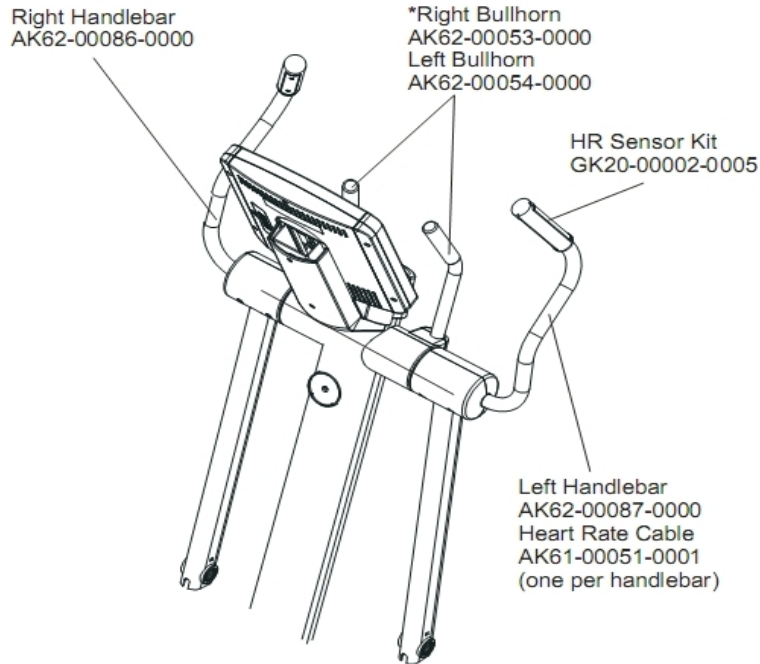
Ref #	Part Number	Qty	Description
-	GK62-00002-0002	1	Crossover Shaft and Bearing Assembly
-	GK62-00002-0003	1	Left Crankarm Assembly
-	AK62-00093-0000	1	Main Cable
-	AK62-00186-0000	1	Magnet-Standoff Assembly
-	118E-00001-0140	1	Reed Switch SPDT
-	AK62-00204-0000	1	Right Crankarm
-	OK61-02302-0001	1	Crankshaft Plate
-	OK35-01186-0007	1	Poly-V Pulley
-	OK61-02409-0000	1	Poly-V Crank Pulley
-	B084-92218-0000	1	PCB Circuit Board
-	OK62-01135-0000	1	Drive Belt
-	AK62-00171-0000	1	Resistor with Harness Assembly
-	AK61-00250-0001	1	Alternator w/Flywheel
-	0017-00003-0685	1	6V Battery
-	OK62-01134-0000	1	Flexonic Belt

Drive Module Hardware



Ref #	Part Number	Qty	Description
-	0K53-01183-0000	1	Hex key
-	0017-00101-1834	1	Hardware: Screw 24MM
-	0K63-01166-0000	1	Resistor Mounting Rod
-	0017-00100-0107	1	Hardware: E-Ring 1"
-	0017-00101-1835	1	Hardware: Screw 10MM
-	0017-00104-0465	1	Hardware: Flat Washer 23MM OD
-	0017-00101-1794	1	Hardware: Screw 10MM
-	0017-00101-1833	2	Hardware: Set screw
-	0K53-01122-0000	1	Square Key
-	0017-00101-1838	4	Hardware: Mounting Screw 19 MM
-	0017-00101-1849	1	Hardware: Crank arm mounting bolt
-	0017-00103-0334	1	Hardware: Nut 10 MM
-	0017-00101-1836	1	Hardware: Screw 10 MM
-	0017-00101-1797	1	Hardware: Mounting Screw 16 MM
-	0017-00042-0821	4	Hardware: Plastic Grommet
-	0017-00101-1793	1	Hardware: Alternator Mounting Bolt
-	0017-00042-0754	4	Hardware: Grommet
-	0017-00103-0159	1	Hardware: Mounting Nut
-	0017-00103-0332	1	Hardware: Mounting Nut
-	0017-00101-0986	1	Hardware: Bolt 0.75"
-	0017-00101-1839	1	Hardware: Cable Mounting Screw
-	0K47-01104-0000	1	Hardware: Thrust Washer

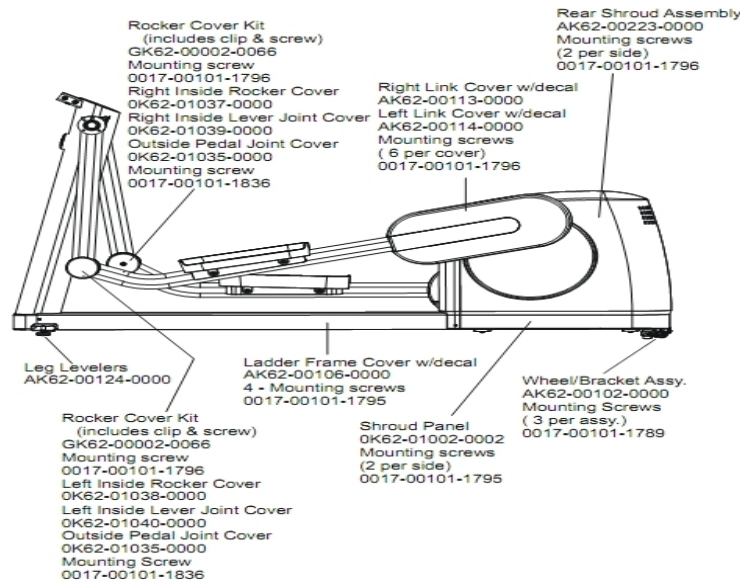
Handlebars And Bullhorns



*Right Bullhorn Assembly consists of: AK62-00057-0000 Bullhorn, 0K62-01136-0000 Grip and 0K62-01199-0000 Gasket
Left Bullhorn Assembly consists of: AK62-00058-0000 Bullhorn, 0K62-01136-0000 Grip and 0K62-01199-0000 Gasket

Ref #	Part Number	Qty	Description
-	0K62-01199-0000	2	Bullhorn Gasket
-	GK20-00002-0005	1	Heart Rate Electrode Kit
-	AK62-00057-0001	1	Right Bullhorn
-	AK62-00054-0001	1	Left Bullhorn
-	AK62-00087-0000	1	Handlebar: Left
-	AK61-00051-0000	1	Bullhorn HR cables
-	AK62-00053-0001	1	Right Bullhorn
-	AK62-00058-0001	1	Left Bullhorn
-	AK62-00086-0000	1	Handlebar: Right
-	0K62-01136-0000	2	Grip

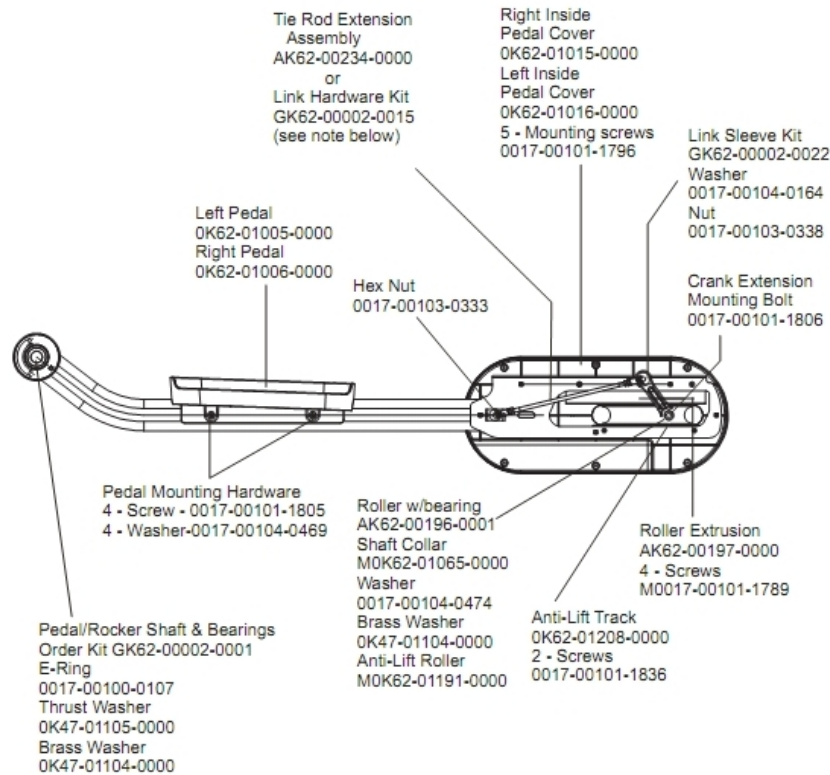
Lower Frame Shrouds And Hardware



Page 10 of 14

Ref #	Part Number	Qty	Description
-	OK62-01035-0000	2	Inside Lever Joint Cover
-	OK62-01038-0000	1	Left Inside Rocker Cover
-	OK62-01037-0000	1	
-	AK62-00114-0000	1	Link Cover with Decal: Left
-	GK62-00002-0066	2	Rocker Cover Kit
-	0017-00101-1795	8	Hardware: Mounting Screw
-	0017-00101-1836	2	Hardware: Screw 10 MM
-	AK62-00102-0000	1	Wheel/Bracket Assembly
-	AK62-00223-0000	1	Rear Shroud Assembly
-	OK62-01002-0003	1	Shroud Panel
-	0017-00101-1789	3	Hardware: Mounting Screws
-	OK62-01039-0000	1	Right Inside Lever Joint Cover
-	AK62-00113-0000	1	Link Cover with Decal: Right
-	OK62-01040-0000	1	Left Inside Lever Joint Cover
-	AK62-00106-0001	1	Ladder Frame Cover with Decal
-	AK62-00124-0000	1	Leg Leveler

Pedal Lever Assembly Components



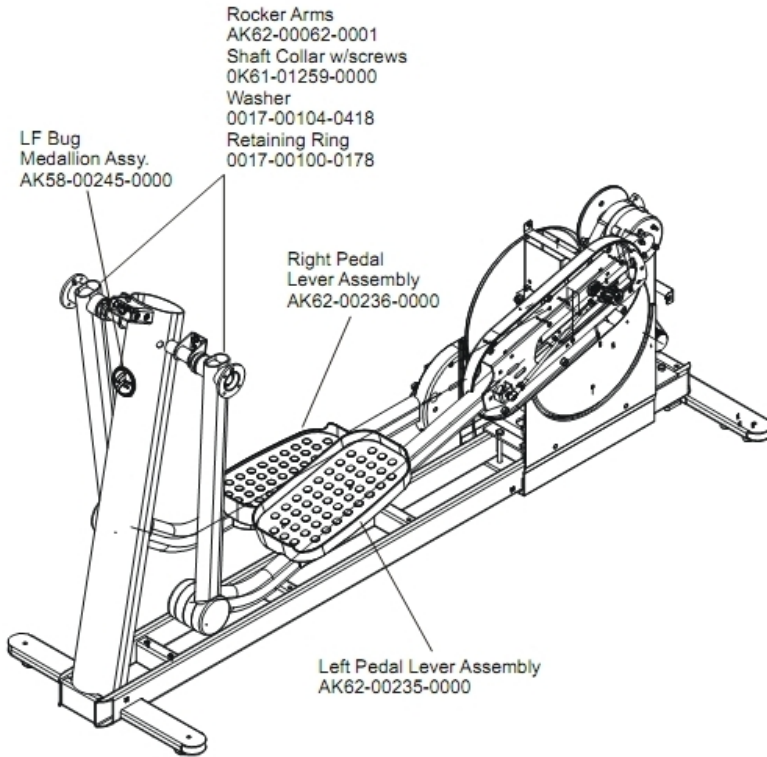
Ref #	Part Number	Qty	Description
-	0017-00103-0333	1	Hardware: Hex Nut
-	0017-00103-0338	1	Hardware: Hex Nut 8 MM
-	OK62-01191-0000	1	Anti-Lift Roller
-	OK47-01105-0000	1	Hardware: Hardened Thrust Washer
-	0017-00104-0474	1	Hardware: Washer
-	0017-00101-1796	5	Hardware: Mounting Screw 19 MM
-	OK62-01208-0000	1	Anti-Lift Track
-	OK62-01016-0000	1	Inside Pedal Cover Left
-	OK62-01006-0000	1	Right Pedal
-	OK62-01005-0000	1	Left Pedal
-	0017-00101-1789	2	Hardware: Mounting Screws
-	GK62-00002-0071	2	Control Link Kit
-	GK62-00002-0001	1	Pedal/Rocker Shaft and Bearings
-	AK62-00197-0000	1	Roller Extrusion
-	AK62-00196-0001	1	Roller with Bearing
-	0017-00101-1806	1	Hardware: Crank Extension Mounting Bolt
-	0017-00101-1805	4	Hardware: TORX Screw 25 MM
-	0017-00104-0164	1	Hardware: Washer 0.75" OD
-	0017-00104-0469	4	Hardware: Flat Washer 16MM OD
-	0017-00101-1836	2	Hardware: Screw 10 MM
-	OK62-01015-0000	1	Inside Pedal Cover Right
-	OK62-01065-0000	1	Shaft Collar

Ref #	Part Number	Qty	Description
-	GK62-00002-0022	1	Link Sleeve Kit
-	OK47-01104-0000	2	Hardware: Thrust Washer
-	0017-00100-0107	1	Hardware: E-Ring 1"

References

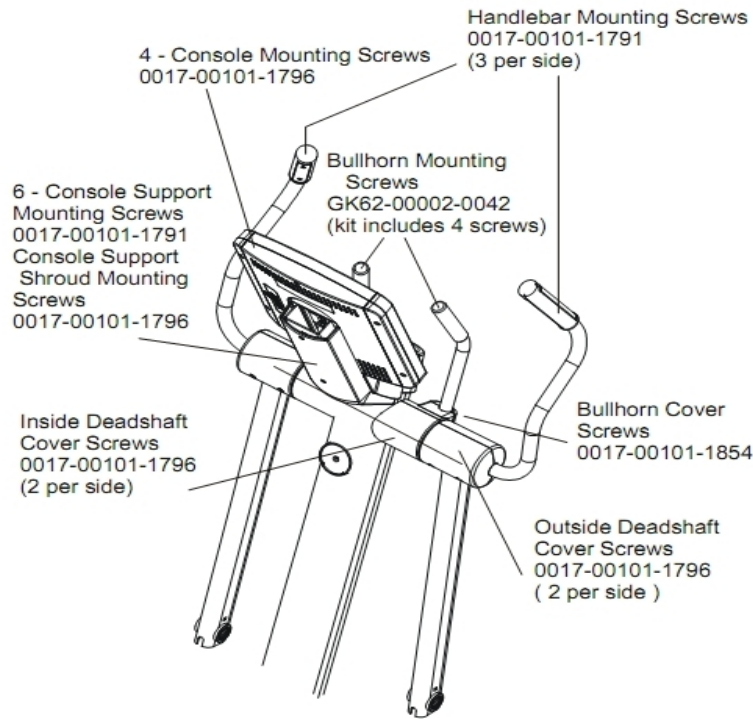
Ref #	Part Number	Qty	Description
-	GK62-00002-0018	1	Plug in Option 120/60
-	AK62-00158-0001	1	Instruction-Bag Assembly:Mfg; F/S/P; 95X BM

Rocker Arms And Pedal Levers



Ref #	Part Number	Qty	Description
-	OK61-01259-0000	1	Shaft Split Collar
-	0017-00100-0178	1	Hardware: Retaining Ring 1.25"
-	0017-00104-0418	1	Hardware: Flat Washer 1.75" OD
-	AK62-00235-0000	1	Left Pedal Lever Assembly
-	AK62-00236-0000	1	Right Pedal Lever Assembly
-	GK62-00002-0070	1	Rocker Arm Kit
-	AK58-00245-0000	1	Bug Medallion

Upper Frame Hardware



Items Not Shown:

Accessory Tray	0K62-01022-0000
Mounting Screws (2)	0017-00101-1846

Ref #	Part Number	Qty	Description
-	0017-00101-1846	2	Hardware: Phillips Pan Screw 10 MM
-	0017-00101-1854	1	Hardware: Bullhorn Cover Screw 44MM
-	0017-00101-1796	13	Hardware: Mounting Screw 19 MM
-	0K62-01022-0202	1	Accessory Tray
-	0017-00101-1791	9	Hardware: TORX Screw 19 MM
-	0017-00101-1876	1	Hardware: M 8X1.25-6G6GX 22 DIN TRX FLT CS ST BZ B

