

# 95Xi Cross-Trainer - Prewired - Heart Rate

95X-0104-04

## Parts Manual

1/5/2019 11:20:35 AM



## Table of Contents

---

<a href="#">Bearing Insert Assembly</a> .....	3
<a href="#">Cables</a> .....	4
<a href="#">Console and Related Components</a> .....	5
<a href="#">Console Support and Deadshaft Covers</a> .....	6
<a href="#">Crank Arm Pulley Assembly</a> .....	7
<a href="#">Crank Cover and Lower Caps</a> .....	8
<a href="#">Drive Module</a> .....	9
<a href="#">Drive Module Hardware</a> .....	10
<a href="#">Handlebars and Bullhorns</a> .....	11
<a href="#">Lower Frame Shrouds and Hardware</a> .....	12
<a href="#">Miscellaneous</a> .....	13
<a href="#">Pedal Lever Assembly Components</a> .....	14
<a href="#">PCB, Battery, Reed Switch and Bracket</a> .....	16
<a href="#">Rocker Arms and Pedal Levers</a> .....	17
<a href="#">Upper Frame Hardware</a> .....	18

## Bearing Insert Assembly

Service Kit- GK62-00002-0044

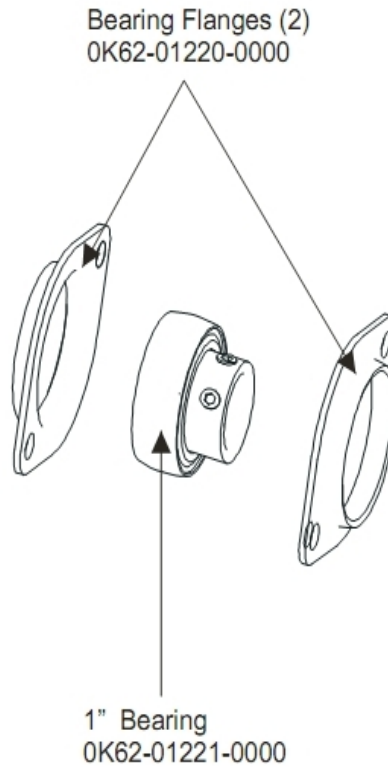
Includes:

- 1 - crankshaft
- 2 - bearings
- 2 - sets of bearing flanges
- 4 - weldnuts and flat washers
- 4 - bolts

Service Kit- GK62-00002-0045

Includes:

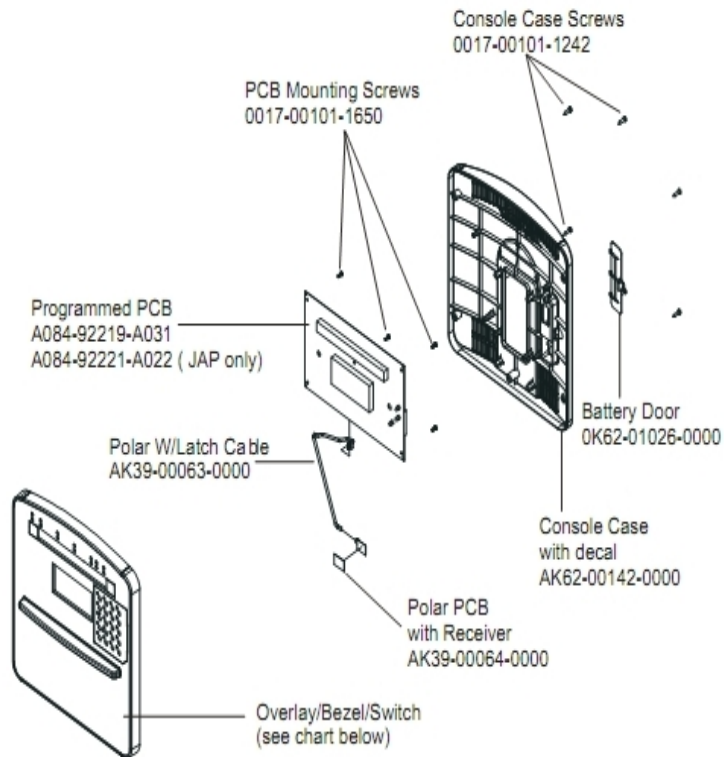
- 1 - intermediate shaft
- 2 - bearings
- 2 - sets of bearing flanges
- 4 - weldnuts and flat washers
- 4 - bolts



Ref #	Part Number	Qty	Description
-	GK62-00002-0044	1	Crankshaft Bearing Kit
-	0K62-01221-0000	1	1" Bearing
-	GK62-00002-0045	1	Intermediate Shaft Bearing Kit
-	0K62-01220-0000	2	Bearing Flange

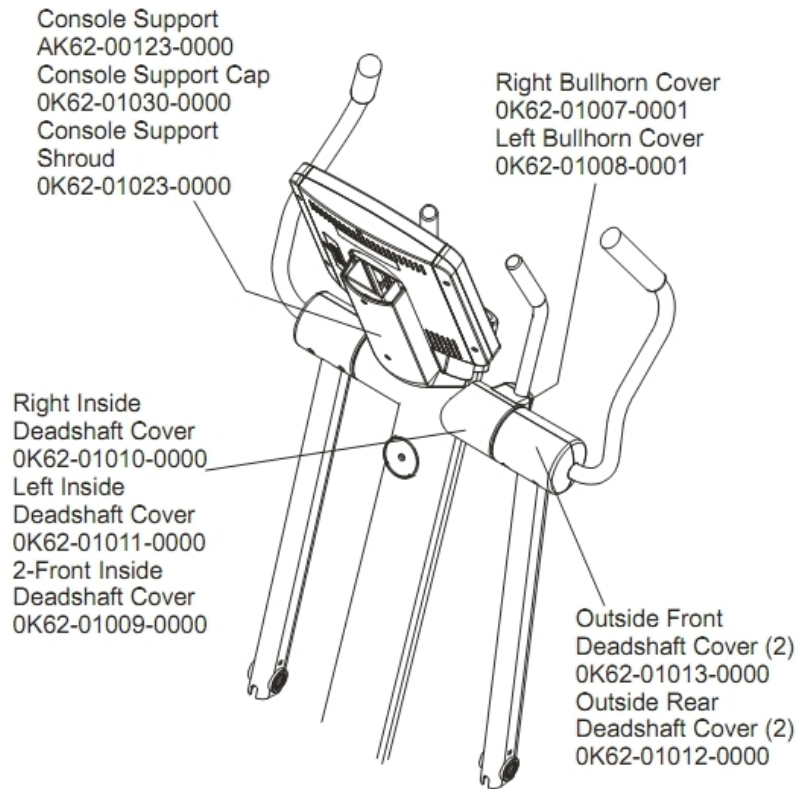


## Console and Related Components



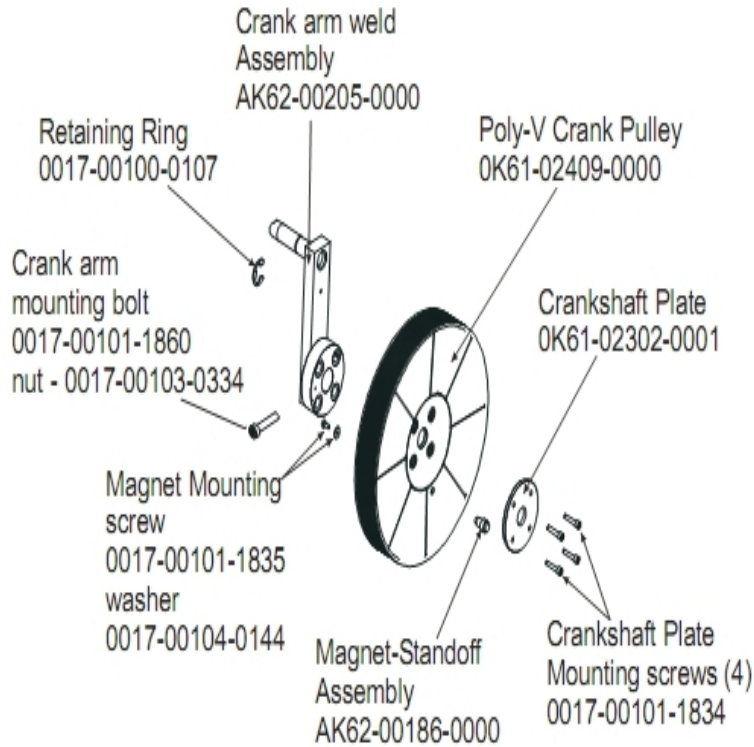
Ref #	Part Number	Qty	Description
-	B084-92222-B000	1	Console Board - Lower
-	AK39-00063-0000	1	Polar Cable
-	AK63-00038-0000	1	Lower Console Cable
-	118E-00001-0259	1	Wireless Receiver Module, Non-Coded
-	AK62-00191-0001	1	Bezel Switch with Overlay: English/Metric
-	0017-00101-1242	6	Hardware: Phillips Pan Screw 0.75"
-	0K62-01026-0000	1	Battery Door
-	0017-00101-1650	2	Hardware: Phillips Pan Screw 0.375"
-	AK62-00329-0001	1	Console English/Metric
-	AK62-00142-0000	1	Console Case with Decal
-	A084-92219-A032	1	Programmed PCB

## Console Support and Deadshaft Covers



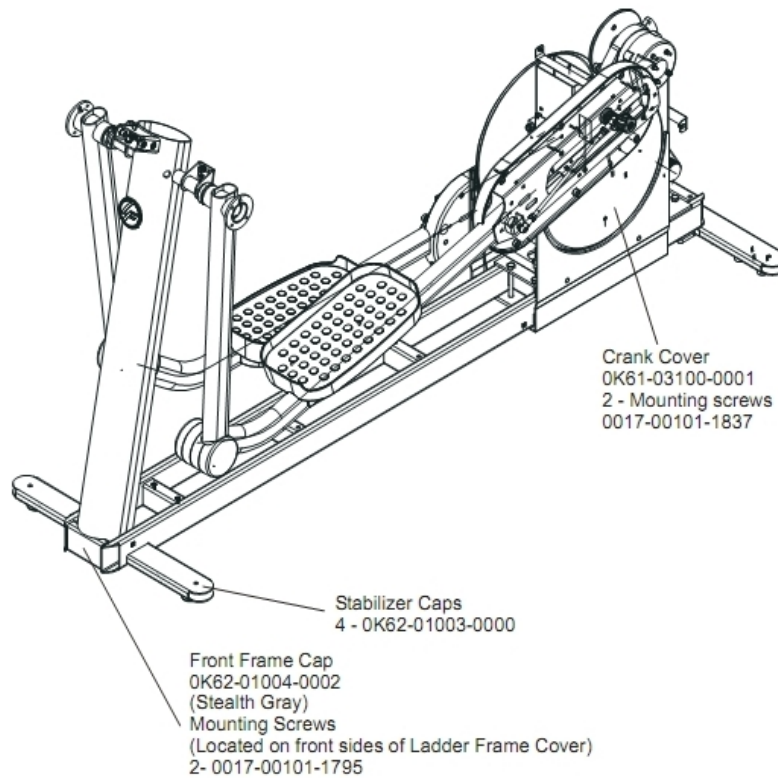
Ref #	Part Number	Qty	Description
-	0K62-01007-0001	1	Bullhorn Cover Right
-	0K62-01012-0000	2	Front Outside Deadshaft Cover
-	0K62-01009-0000	2	Front Inside Deadshaft Cover
-	0K62-01010-0000	1	Right Inside Deadshaft Cover
-	AK62-00123-0000	1	Console Support
-	0K62-01030-0001	1	Console Support Cap
-	0K62-01013-0000	2	Rear Outside Deadshaft Cover
-	0K62-01023-0001	1	Console Support Shroud
-	0017-00042-0754	1	Hardware: Grommet
-	0K62-01031-0001	1	Cap
-	0K62-01011-0000	1	Left Inside Deadshaft Cover
-	0K62-01008-0001	1	Bullhorn Cover Left

## Crank Arm Pulley Assembly



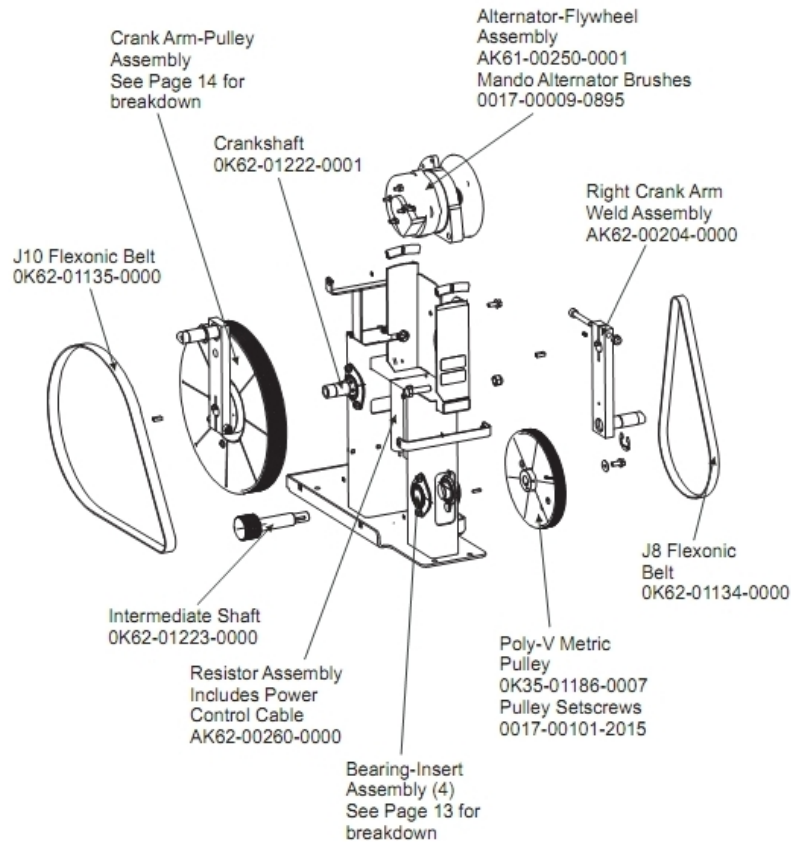
Ref #	Part Number	Qty	Description
-	0K61-02409-0000	1	Poly-V Crank Pulley
-	0017-00100-0107	1	Hardware: E-Ring 1"
-	0017-00104-0144	1	Hardware: Washer 0.625" OD
-	0017-00101-1860	1	Hardware: Crankarm Bolt 65MM
-	0017-00101-1835	1	Hardware: Screw 10MM
-	AK62-00186-0000	1	Magnet-Standoff Assembly
-	0K61-02302-0001	1	Crankshaft Plate
-	AK62-00205-0000	1	Crankarm
-	0017-00101-1834	4	Hardware: Screw 24MM
-	0017-00103-0334	1	Hardware: Nut 10 MM

## Crank Cover and Lower Caps



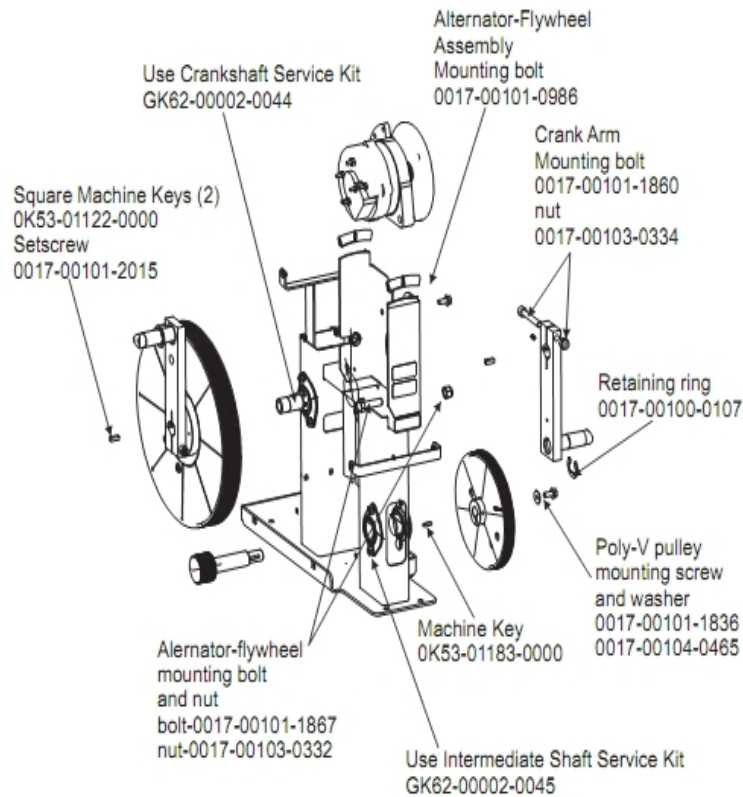
Ref #	Part Number	Qty	Description
-	0K68-01130-0200	4	CAP; STABILIZER; SHADOW GREY
-	0017-00101-1795	2	Hardware: Mounting Screw
-	0K62-01004-0002	1	Front frame Cap
-	0K61-03100-0002	1	Crank Cover
-	0017-00101-1837	2	Hardware: Screw 18MM

### Drive Module



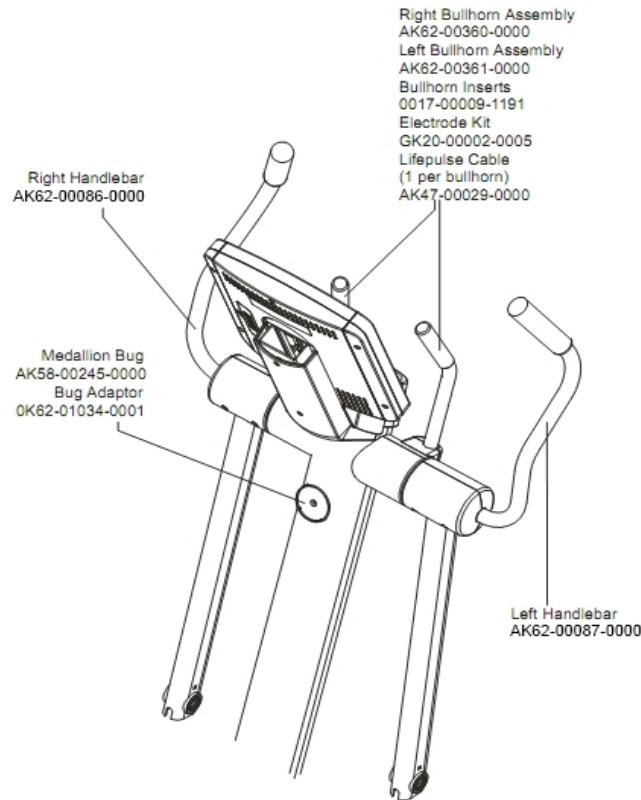
Ref #	Part Number	Qty	Description
-	0K62-01134-0000	1	Flexonic Belt
-	0K62-01135-0000	1	Drive Belt
-	0K62-01222-0001	1	Crankshaft
-	0017-00009-0895	1	Alternator Brush Kit
-	AK62-00204-0000	1	Right Crankarm
-	0K35-01186-0007	1	Poly-V Pulley
-	0K62-01223-0000	1	Intermediate Shaft
-	AK62-00260-0000	1	Resistor Assembly
-	AK61-00250-0001	1	Alternator w/Flywheel
-	0017-00101-2015	2	Hardware: Pulley Set Screw 15 MM

## Drive Module Hardware



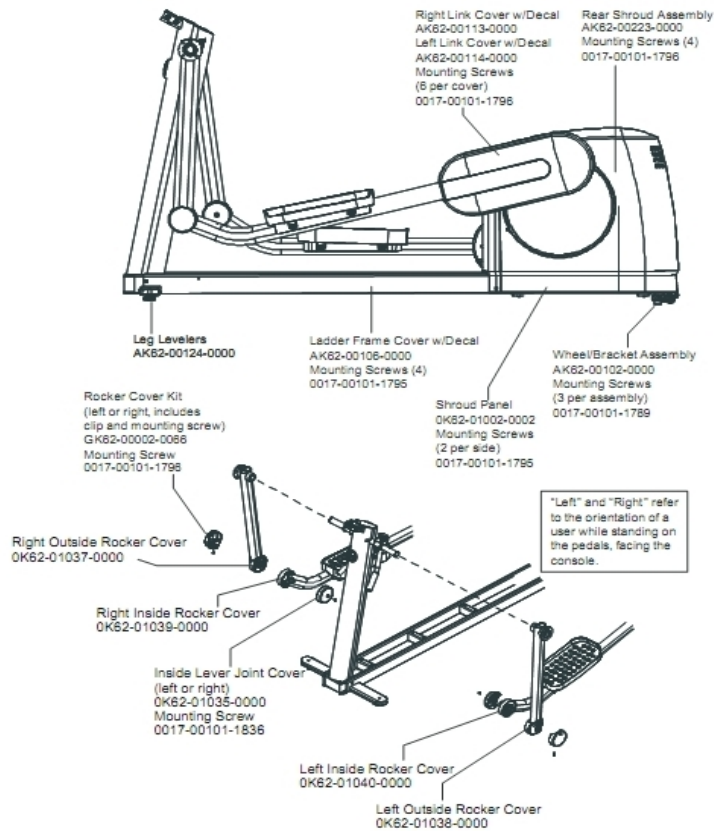
Ref #	Part Number	Qty	Description
-	GK62-00002-0044	1	Crankshaft Bearing Kit
-	0017-00104-0465	1	Hardware: Flat Washer 23MM OD
-	0017-00101-1833	1	Hardware: Set screw
-	OK53-01183-0000	1	Hex key
-	0017-00100-0107	1	Hardware: E-Ring 1"
-	0017-00103-0334	1	Hardware: Nut 10 MM
-	0017-00101-0986	1	Hardware: Bolt 0.75"
-	0017-00101-1836	1	Hardware: Screw 10 MM
-	OK53-01122-0000	2	Square Key
-	GK62-00002-0045	1	Intermediate Shaft Bearing Kit
-	0017-00101-1867	1	Hardware: Mounting Bolt 45 MM
-	0017-00103-0332	1	Hardware: Mounting Nut
-	0017-00101-1860	1	Hardware: Crankarm Bolt 65MM
-	0017-00101-2015	1	Hardware: Pulley Set Screw 15 MM

## Handlebars and Bullhorns



Ref #	Part Number	Qty	Description
-	0K62-01199-0000	1	Bullhorn Gasket
-	0K62-01034-0001	1	Bug Adaptor
-	AK62-00360-0000	1	Right Bullhorn
-	AK58-00245-0000	1	Bug Medallion
-	AK62-00087-0000	1	Handlebar: Left
-	AK62-00361-0000	1	Left Bullhorn
-	AK47-00029-0000	1	Lifepulse Cable
-	AK62-00086-0000	1	Handlebar: Right
-	AK61-00051-0001	1	Lifepulse: User-Arm
-	GK20-00002-0005	2	Heart Rate Electrode Kit

## Lower Frame Shrouds and Hardware



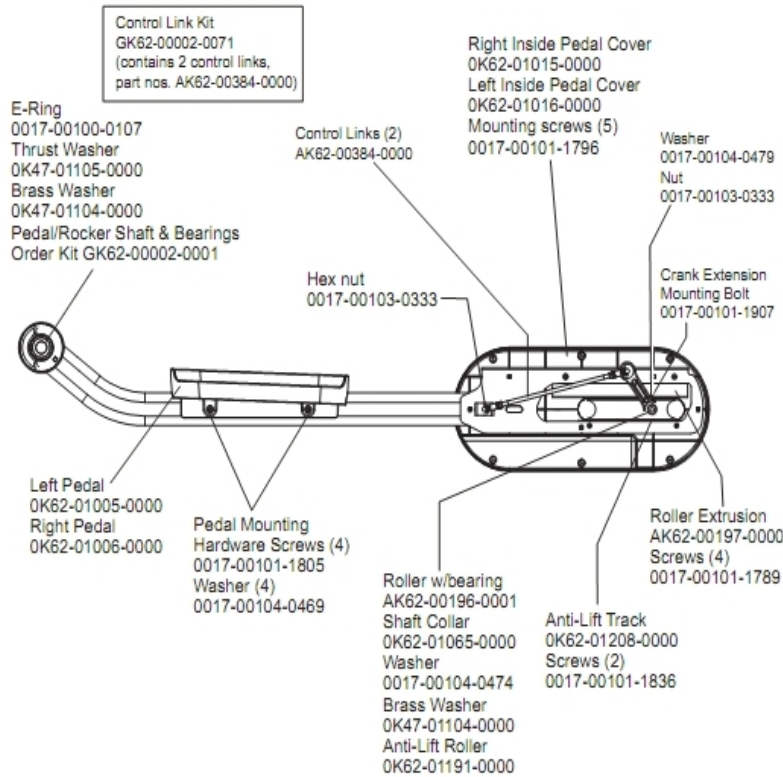
Ref #	Part Number	Qty	Description
-	OK62-01035-0000	1	Inside Lever Joint Cover
-	AK62-00124-0000	2	Leg Leveler
-	OK62-01037-0000	1	
-	AK62-00114-0000	1	Link Cover with Decal: Left
-	GK62-00002-0066	1	Rocker Cover Kit
-	0017-00101-1796	8	Hardware: Mounting Screw
-	0017-00101-1836	1	Hardware: Screw 10 MM
-	AK62-00102-0000	2	Wheel/Bracket Assembly
-	AK62-00223-0000	1	Rear Shroud Assembly
-	OK62-01002-0003	1	Shroud Panel
-	OK62-01039-0000	1	Right Inside Lever Joint Cover
-	0017-00101-1789	6	Hardware: Mounting Screws
-	0017-00101-1796	17	Hardware: Mounting Screw 19 MM
-	OK62-01040-0000	1	Left Inside Lever Joint Cover
-	AK62-00106-0001	1	Ladder Frame Cover with Decal
-	AK62-00113-0000	1	Link Cover with Decal: Right
-	OK62-01038-0000	1	Left Inside Rocker Cover

**Miscellaneous**

---

Ref #	Part Number	Qty	Description
-	0017-00021-2846	1	F-Type Panel Connector
-	0017-00008-0205	1	5 oz Bottle - Arctic Silver
-	AK62-00152-0001	1	Hardware Bag
-	0017-00008-0204	1	Paint Spray Can - Arctic Silver
-	AK32-00078-0001	1	Power Extension Cable: 120"
-	AK62-00210-0000	1	Power-Cable with Bracket Assembly
-	0K62-01179-0001	1	Bracket: Access Panel; Plug-in
-	0017-00008-0206	1	.33oz Pen - Arctic Silver
-	0017-00042-0754	1	Hardware: Grommet
-	GK62-00002-0020	1	Plug in Option 240v AUS
-	AK32-00020-0002	1	Coax Cable: 120"

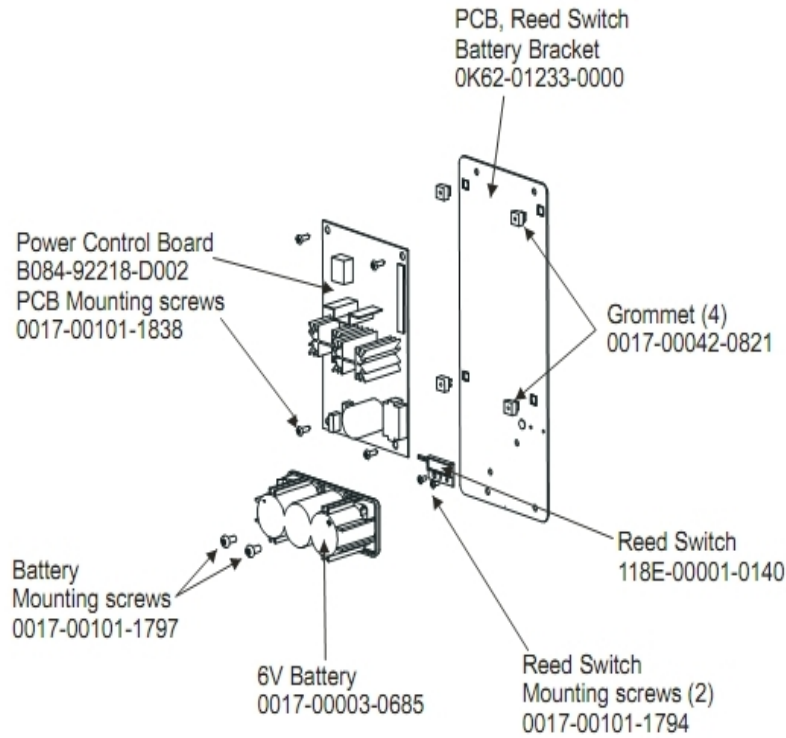
## Pedal Lever Assembly Components



Ref #	Part Number	Qty	Description
-	0017-00103-0333	4	Hardware: Hex Nut
-	0017-00101-1803	2	Hardware: Setscrew
-	0017-00101-1805	8	Hardware: TORX Screw 25 MM
-	0017-00101-1907	2	Hardware: Crank Extension Mounting Bolt
-	0017-00104-0469	8	Hardware: Flat Washer 16MM OD
-	0017-00101-1836	4	Hardware: Screw 10 MM
-	0017-00104-0479	2	Hardware: Flat Washer 25.4MM OD
-	OK62-01015-0000	1	Inside Pedal Cover Right
-	OK62-01065-0000	2	Shaft Collar
-	OK47-01104-0000	4	Hardware: Thrust Washer
-	0017-00100-0107	2	Hardware: E-Ring 1"
-	AK62-00196-0001	2	Roller with Bearing
-	AK62-00197-0000	2	Roller Extrusion
-	GK62-00002-0001	2	Pedal/Rocker Shaft and Bearings
-	GK62-00002-0071	6	Control Link Kit
-	0017-00101-1789	8	Hardware: Mounting Screws
-	OK62-01005-0000	1	Left Pedal
-	OK62-01006-0000	1	Right Pedal
-	OK62-01016-0000	1	Inside Pedal Cover Left
-	OK62-01208-0000	2	Anti-Lift Track
-	0017-00101-1796	10	Hardware: Mounting Screw 19 MM
-	0017-00104-0474	2	Hardware: Washer

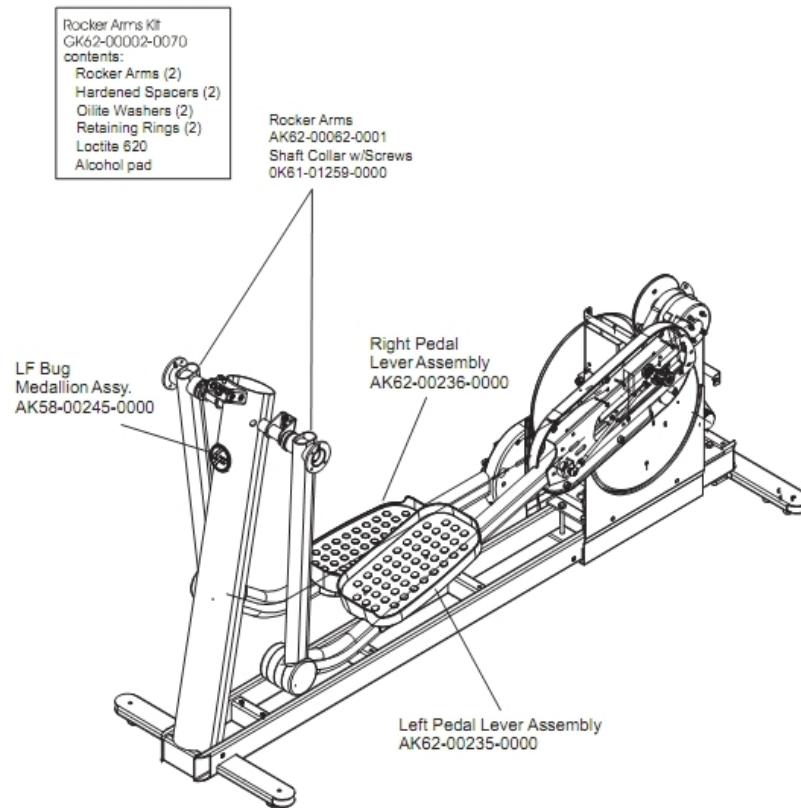
Ref #	Part Number	Qty	Description
-	0K47-01105-0000	2	Hardware: Hardened Thrust Washer
-	0K62-01191-0000	2	Anti-Lift Roller

## PCB, Battery, Reed Switch and Bracket



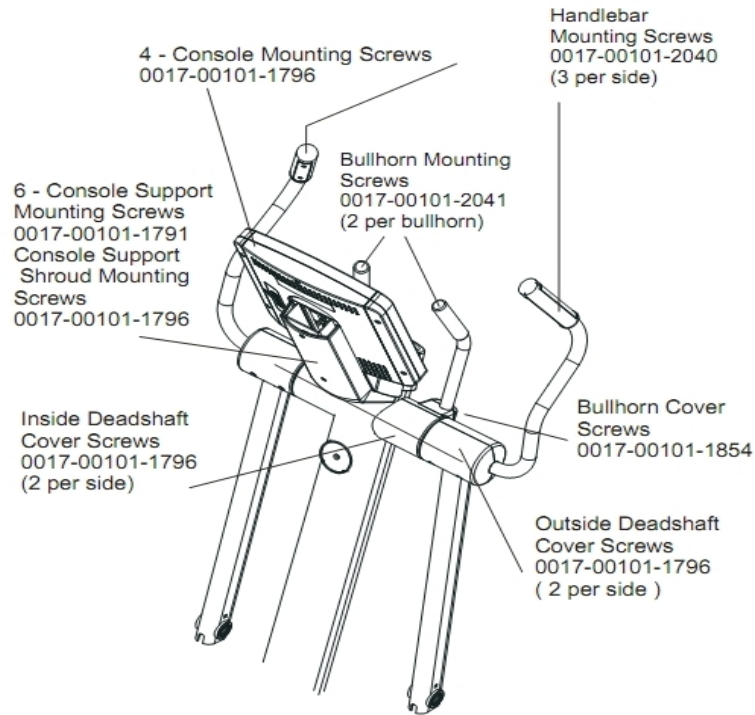
Ref #	Part Number	Qty	Description
-	0K62-01233-0000	1	PCB Reed Switch Battery Bracket
-	0017-00003-0685	1	6V Battery
-	0017-00042-0821	4	Hardware: Plastic Grommet
-	118E-00001-0140	1	Reed Switch SPDT
-	B084-92218-0000	1	PCB Circuit Board
-	0017-00101-1838	4	Hardware: Mounting Screw 19 MM
-	0017-00101-1794	2	Hardware: Screw 10MM
-	0017-00101-1797	2	Hardware: Mounting Screw 16 MM

## Rocker Arms and Pedal Levers



Ref #	Part Number	Qty	Description
-	AK62-00236-0000	1	Right Pedal Lever Assembly
-	AK62-00235-0000	1	Left Pedal Lever Assembly
-	OK61-01259-0000	2	Shaft Split Collar
-	AK58-00245-0000	1	Bug Medallion
-	GK62-00002-0070	3	Rocker Arm Kit

## Upper Frame Hardware



Items Not Shown:

Accessory Tray	0K62-01022-0001 (Stealth Gray)
Mounting Screws (2)	0017-00101-1846

Ref #	Part Number	Qty	Description
-	0017-00101-1796	13	Hardware: Mounting Screw 19 MM
-	0017-00101-1854	2	Hardware: Bullhorn Cover Screw 44MM
-	0017-00101-2041	4	Hardware: Bullhorn Mounting Screw
-	0017-00101-1846	4	Hardware: Phillips Pan Screw 10 MM
-	0K62-01022-0001	1	Accessory Tray
-	0017-00101-2040	6	Hardware: Handlebar Mounting Screw
-	M0017-00101-1791	6	Hardware: Mounting Screw

