

95Xi Cross-Trainer - Prewired - Heart Rate

95X-0300-04

Parts Manual

1/5/2019 11:22:06 AM



LifeFitness
WHAT WE LIVE FOR

Table of Contents

Bearing Insert Assembly	3
Cables	4
Console and Related Components	5
Console Support and Deadshaft Covers	6
Crank Arm Pulley Assembly	7
Crank Cover and Lower Caps	8
Drive Module	9
Drive Module Hardware	10
Handlebars and Bullhorns	11
Lower Frame Shrouds and Hardware	12
Miscellaneous	13
Pedal Lever Assembly Components	14
PCB, Battery, Reed Switch and Bracket	16
Rocker Arms and Pedal Levers	17
Upper Frame Hardware	18

Bearing Insert Assembly

Service Kit- GK62-00002-0044

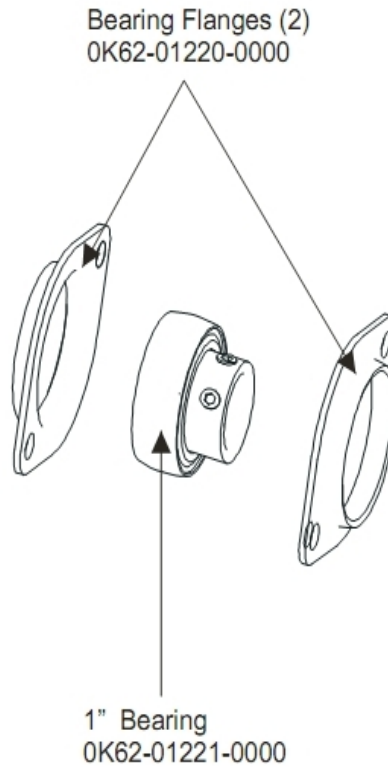
Includes:

- 1 - crankshaft
- 2 - bearings
- 2 - sets of bearing flanges
- 4 - weldnuts and flat washers
- 4 - bolts

Service Kit- GK62-00002-0045

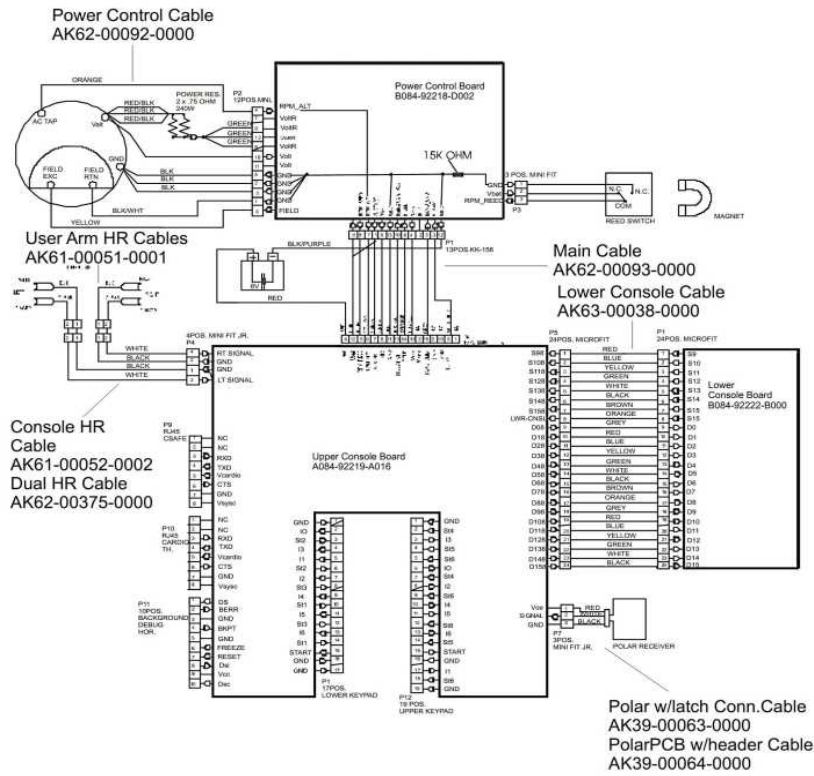
Includes:

- 1 - intermediate shaft
- 2 - bearings
- 2 - sets of bearing flanges
- 4 - weldnuts and flat washers
- 4 - bolts



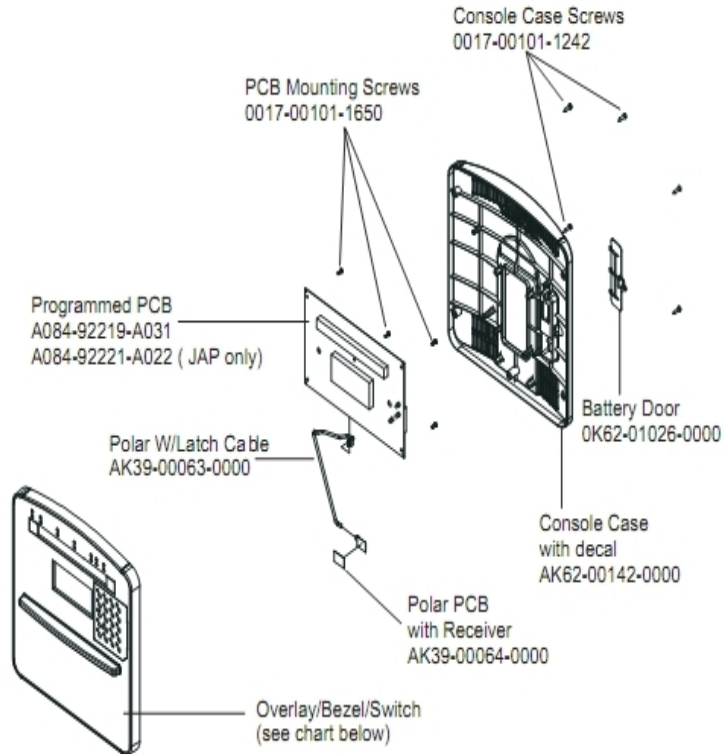
Ref #	Part Number	Qty	Description
-	GK62-00002-0045	1	Intermediate Shaft Bearing Kit
-	GK62-00002-0044	1	Crankshaft Bearing Kit
-	0K62-01221-0000	1	1" Bearing
-	0K62-01220-0000	2	Bearing Flange

Cables



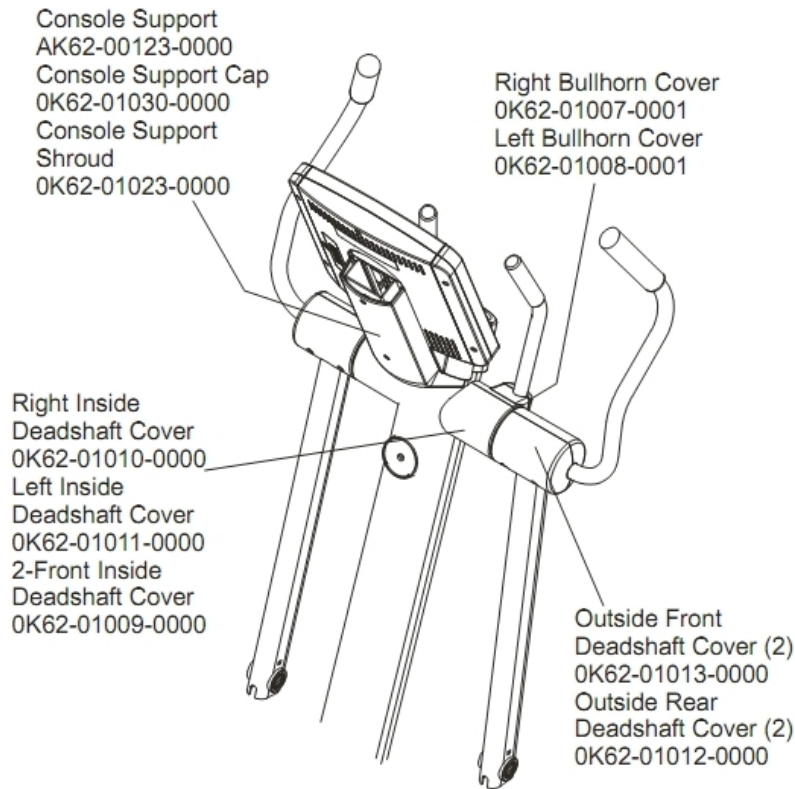
Ref #	Part Number	Qty	Description
-	AK62-00093-0000	1	Main Cable
-	AK62-00375-0000	1	Dual HR Cable
-	118E-00001-0259	1	Wireless Receiver Module, Non-Coded
-	B084-92218-0000	1	PCB Circuit Board
-	AK61-00052-0002	1	Lifepulse Sensor Cable
-	AK63-00038-0000	1	Lower Console Cable
-	AK39-00063-0000	1	Polar Cable
-	A084-92219-A016	1	Console Board - Upper
-	AK61-00051-0001	1	Lifepulse: User-Arm
-	AK62-00092-0000	1	Power Control Cable
-	B084-92222-B000	1	Console Board - Lower

Console and Related Components



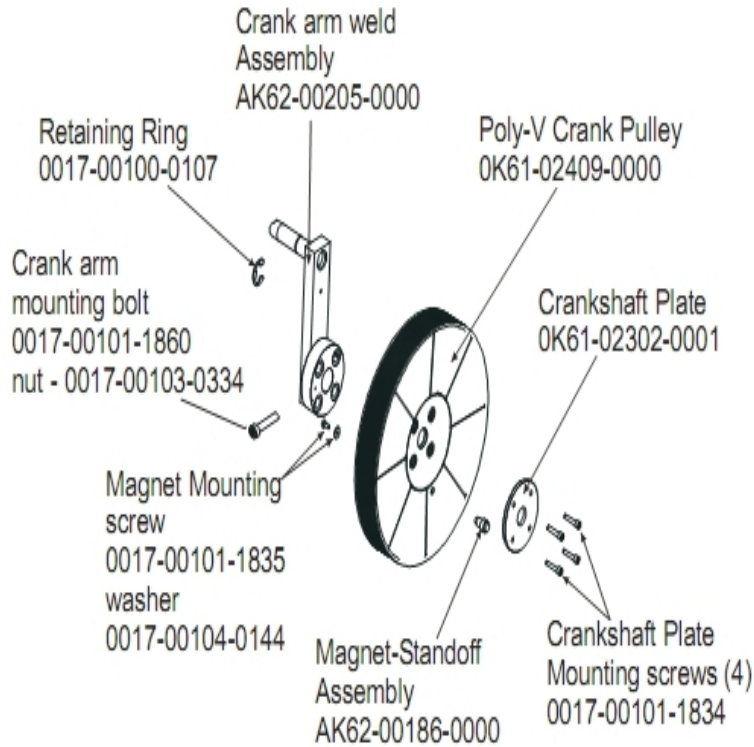
Ref #	Part Number	Qty	Description
-	118E-00001-0259	1	Wireless Receiver Module, Non-Coded
-	AK63-00038-0000	1	Lower Console Cable
-	AK39-00063-0000	1	Polar Cable
-	B084-92222-B000	1	Console Board - Lower
-	0K62-01026-0000	1	Battery Door
-	AK62-00329-0007	1	Console-French/Metric
-	AK62-00142-0000	1	Console Case with Decal
-	A084-92219-A032	1	Programmed PCB
-	AK62-00191-0007	1	Bezel Switch with Overlay: French/Metric
-	0017-00101-1242	6	Hardware: Phillips Pan Screw 0.75"
-	0017-00101-1650	2	Hardware: Phillips Pan Screw 0.375"

Console Support and Deadshaft Covers



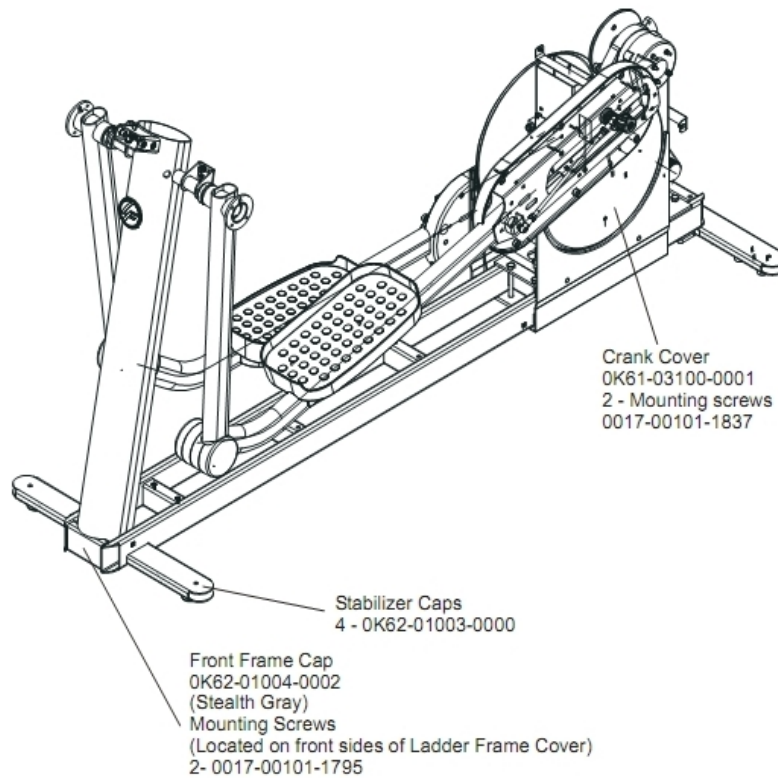
Ref #	Part Number	Qty	Description
-	0K62-01023-0001	1	Console Support Shroud
-	0017-00042-0754	1	Hardware: Grommet
-	0K62-01031-0001	1	Cap
-	0K62-01007-0001	1	Bullhorn Cover Right
-	0K62-01009-0000	2	Front Inside Deadshaft Cover
-	AK62-00123-0000	1	Console Support
-	0K62-01012-0000	2	Front Outside Deadshaft Cover
-	0K62-01011-0000	1	Left Inside Deadshaft Cover
-	0K62-01030-0001	1	Console Support Cap
-	0K62-01010-0000	1	Right Inside Deadshaft Cover
-	0K62-01013-0000	2	Rear Outside Deadshaft Cover
-	0K62-01008-0001	1	Bullhorn Cover Left

Crank Arm Pulley Assembly



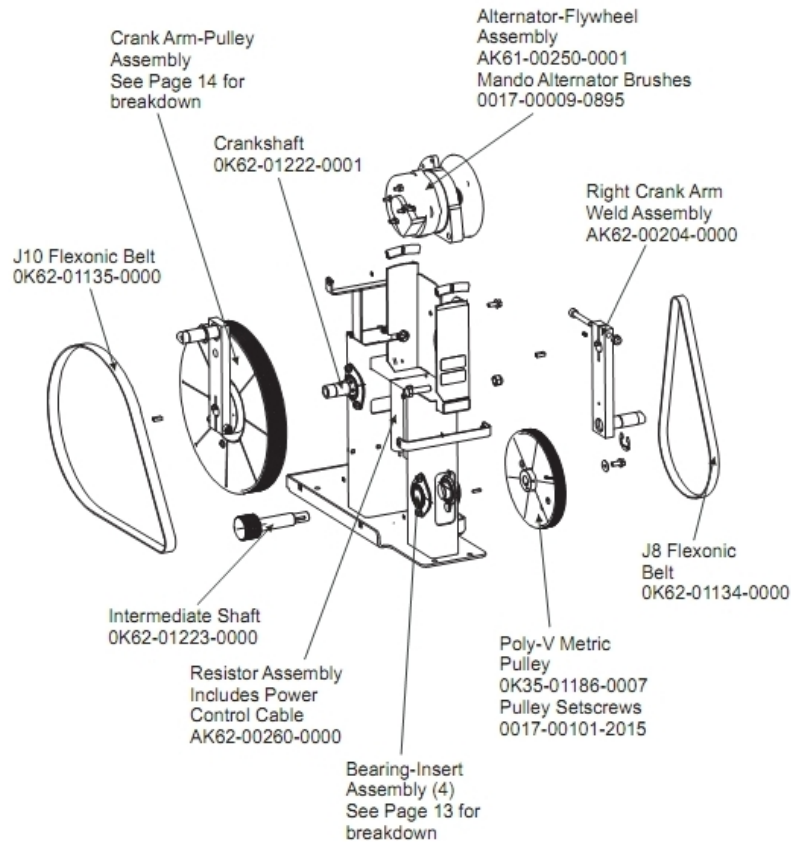
Ref #	Part Number	Qty	Description
-	0K61-02302-0001	1	Crankshaft Plate
-	0017-00101-1834	4	Hardware: Screw 24MM
-	AK62-00205-0000	1	Crankarm
-	0017-00100-0107	1	Hardware: E-Ring 1"
-	0K61-02409-0000	1	Poly-V Crank Pulley
-	0017-00101-1860	1	Hardware: Crankarm Bolt 65MM
-	AK62-00186-0000	1	Magnet-Standoff Assembly
-	0017-00101-1835	1	Hardware: Screw 10MM
-	0017-00104-0144	1	Hardware: Washer 0.625" OD
-	0017-00103-0334	1	Hardware: Nut 10 MM

Crank Cover and Lower Caps



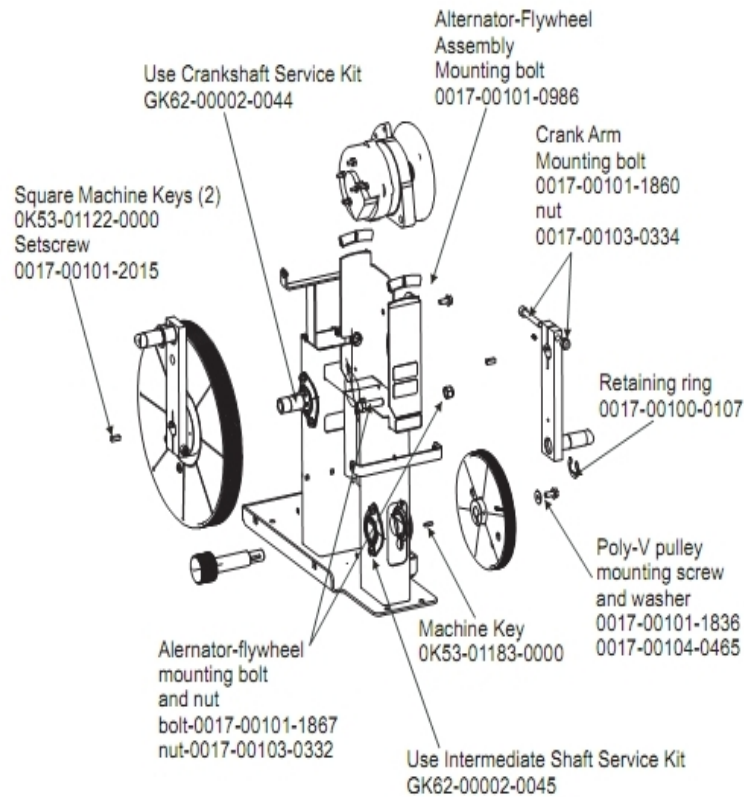
Ref #	Part Number	Qty	Description
-	0017-00101-1795	2	Hardware: Mounting Screw
-	0017-00101-1837	2	Hardware: Screw 18MM
-	0K68-01130-0200	4	CAP; STABILIZER; SHADOW GREY
-	0K61-03100-0002	1	Crank Cover
-	0K62-01004-0002	1	Front frame Cap

Drive Module



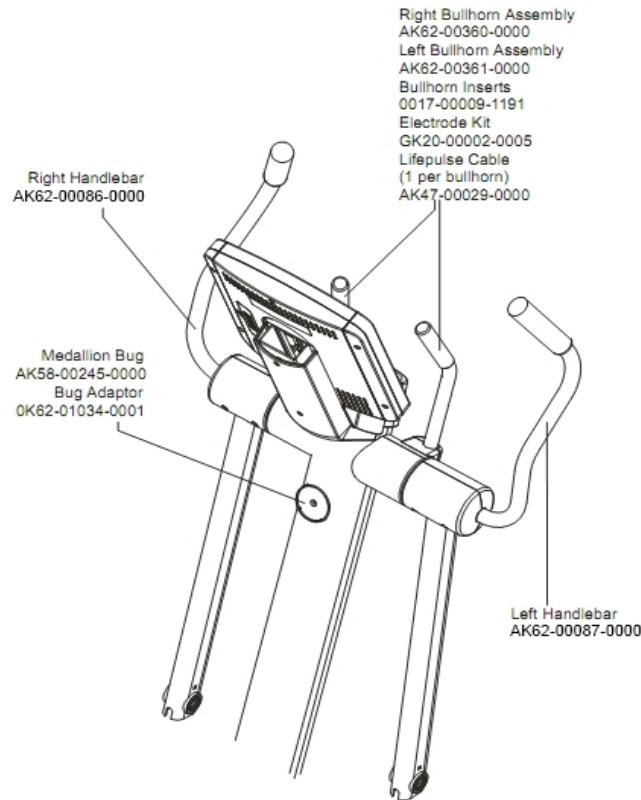
Ref #	Part Number	Qty	Description
-	0017-00009-0895	1	Alternator Brush Kit
-	OK62-01222-0001	1	Crankshaft
-	OK62-01223-0000	1	Intermediate Shaft
-	AK62-00204-0000	1	Right Crankarm
-	OK35-01186-0007	1	Poly-V Pulley
-	0017-00101-2015	2	Hardware: Pulley Set Screw 15 MM
-	AK61-00250-0001	1	Alternator w/Flywheel
-	OK62-01135-0000	1	Drive Belt
-	AK62-00260-0000	1	Resistor Assembly
-	OK62-01134-0000	1	Flexonic Belt

Drive Module Hardware



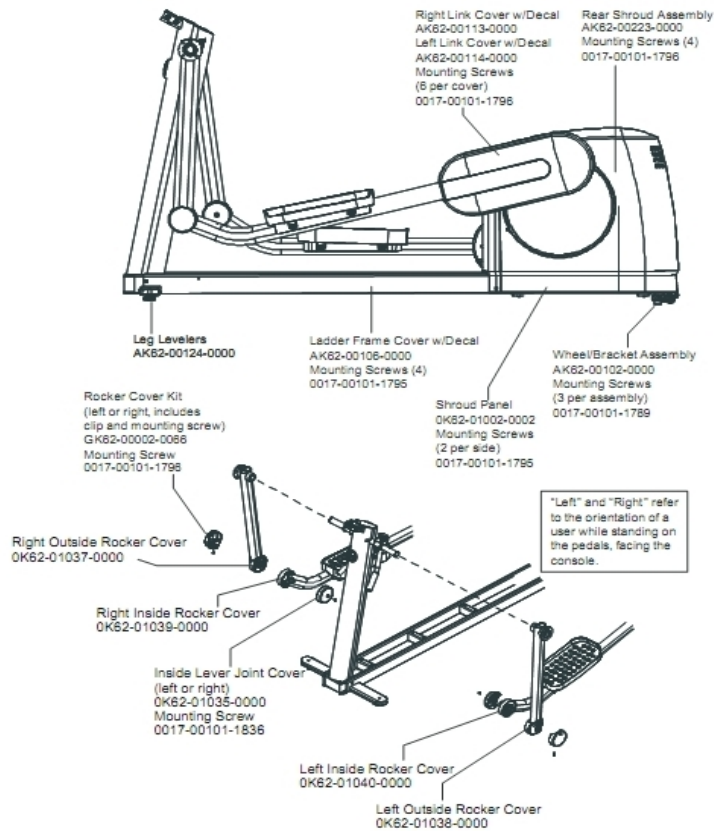
Ref #	Part Number	Qty	Description
-	0017-00101-0986	1	Hardware: Bolt 0.75"
-	0017-00101-1860	1	Hardware: Crankarm Bolt 65MM
-	0017-00103-0332	1	Hardware: Mounting Nut
-	0017-00101-1836	1	Hardware: Screw 10 MM
-	0017-00101-2015	1	Hardware: Pulley Set Screw 15 MM
-	0017-00103-0334	1	Hardware: Nut 10 MM
-	GK62-00002-0044	1	Crankshaft Bearing Kit
-	0K53-01183-0000	1	Hex key
-	0017-00100-0107	1	Hardware: E-Ring 1"
-	0017-00101-1867	1	Hardware: Mounting Bolt 45 MM
-	0017-00101-1833	1	Hardware: Set screw
-	GK62-00002-0045	1	Intermediate Shaft Bearing Kit
-	0K53-01122-0000	2	Square Key
-	0017-00104-0465	1	Hardware: Flat Washer 23MM OD

Handlebars and Bullhorns



Ref #	Part Number	Qty	Description
-	0K62-01199-0000	1	Bullhorn Gasket
-	0K62-01034-0001	1	Bug Adaptor
-	AK62-00360-0000	1	Right Bullhorn
-	AK58-00245-0000	1	Bug Medallion
-	AK62-00087-0000	1	Handlebar: Left
-	AK62-00361-0000	1	Left Bullhorn
-	AK47-00029-0000	1	Lifepulse Cable
-	AK62-00086-0000	1	Handlebar: Right
-	AK61-00051-0001	1	Lifepulse: User-Arm
-	GK20-00002-0005	2	Heart Rate Electrode Kit

Lower Frame Shrouds and Hardware

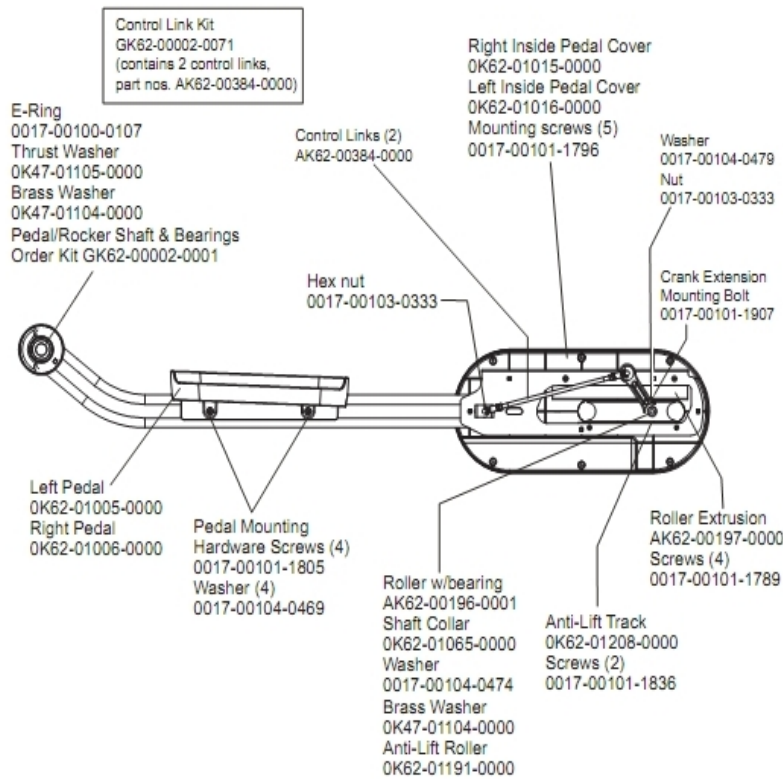


Ref #	Part Number	Qty	Description
-	OK62-01035-0000	1	Inside Lever Joint Cover
-	AK62-00124-0000	2	Leg Leveler
-	OK62-01037-0000	1	
-	AK62-00114-0000	1	Link Cover with Decal: Left
-	GK62-00002-0066	1	Rocker Cover Kit
-	0017-00101-1796	8	Hardware: Mounting Screw
-	0017-00101-1836	1	Hardware: Screw 10 MM
-	AK62-00102-0000	2	Wheel/Bracket Assembly
-	AK62-00223-0000	1	Rear Shroud Assembly
-	OK62-01002-0003	1	Shroud Panel
-	0017-00101-1789	6	Hardware: Mounting Screws
-	OK62-01039-0000	1	Right Inside Lever Joint Cover
-	0017-00101-1796	17	Hardware: Mounting Screw 19 MM
-	OK62-01040-0000	1	Left Inside Lever Joint Cover
-	AK62-00106-0001	1	Ladder Frame Cover with Decal
-	AK62-00113-0000	1	Link Cover with Decal: Right
-	OK62-01038-0000	1	Left Inside Rocker Cover

Miscellaneous

Ref #	Part Number	Qty	Description
-	0017-00021-2846	1	F-Type Panel Connector
-	0017-00008-0205	1	5 oz Bottle - Arctic Silver
-	AK62-00152-0001	1	Hardware Bag
-	0017-00008-0204	1	Paint Spray Can - Arctic Silver
-	AK32-00078-0001	1	Power Extension Cable: 120"
-	AK62-00210-0000	1	Power-Cable with Bracket Assembly
-	0K62-01179-0001	1	Bracket: Access Panel; Plug-in
-	0017-00008-0206	1	.33oz Pen - Arctic Silver
-	0017-00042-0754	1	Hardware: Grommet
-	GK62-00002-0018	1	Plug in Option 120/60
-	AK32-00020-0002	1	Coax Cable: 120"

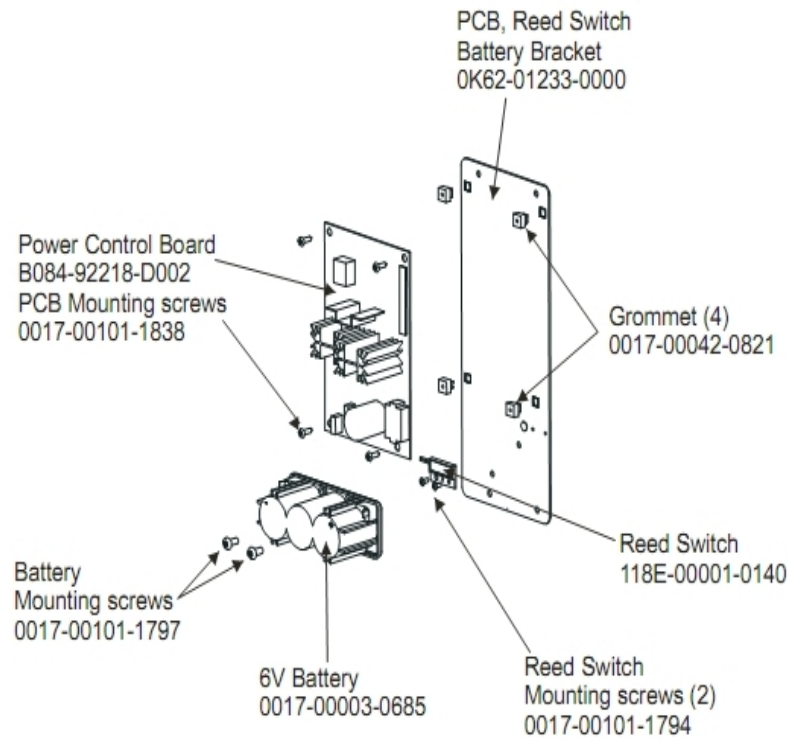
Pedal Lever Assembly Components



Ref #	Part Number	Qty	Description
-	OK62-01065-0000	2	Shaft Collar
-	OK47-01104-0000	4	Hardware: Thrust Washer
-	0017-00100-0107	2	Hardware: E-Ring 1"
-	AK62-00196-0001	2	Roller with Bearing
-	AK62-00197-0000	2	Roller Extrusion
-	GK62-00002-0001	2	Pedal/Rocker Shaft and Bearings
-	GK62-00002-0071	6	Control Link Kit
-	0017-00101-1789	8	Hardware: Mounting Screws
-	OK62-01005-0000	1	Left Pedal
-	OK62-01006-0000	1	Right Pedal
-	OK62-01016-0000	1	Inside Pedal Cover Left
-	OK62-01208-0000	2	Anti-Lift Track
-	0017-00101-1796	10	Hardware: Mounting Screw 19 MM
-	0017-00104-0474	2	Hardware: Washer
-	OK47-01105-0000	2	Hardware: Hardened Thrust Washer
-	OK62-01015-0000	1	Inside Pedal Cover Right
-	0017-00104-0479	2	Hardware: Flat Washer 25.4MM OD
-	0017-00101-1836	4	Hardware: Screw 10 MM
-	0017-00104-0469	8	Hardware: Flat Washer 16MM OD
-	0017-00101-1907	2	Hardware: Crank Extension Mounting Bolt
-	0017-00101-1805	8	Hardware: TORX Screw 25 MM
-	OK62-01191-0000	2	Anti-Lift Roller

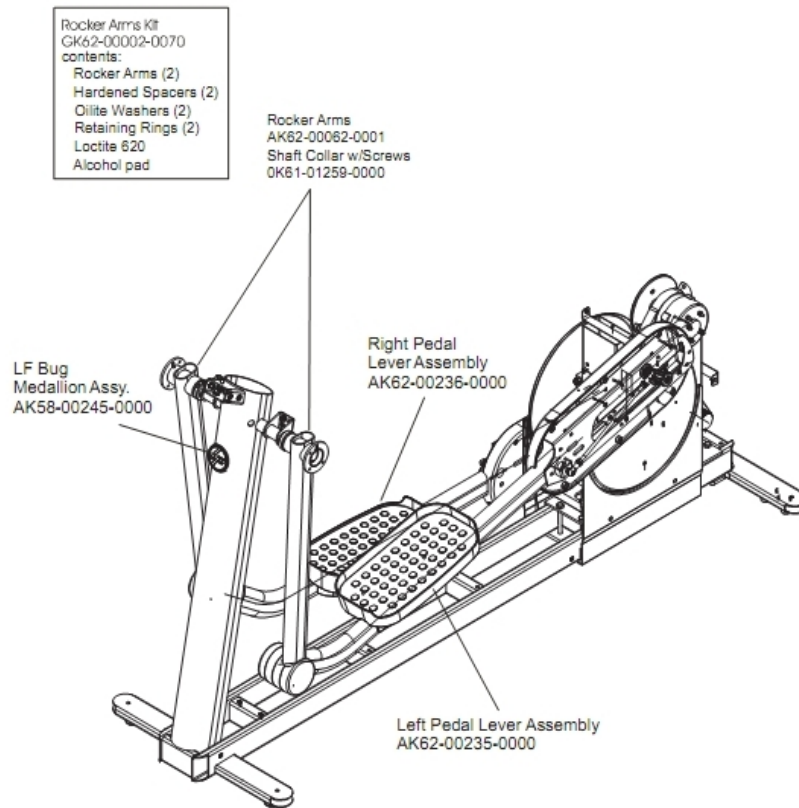
Ref #	Part Number	Qty	Description
-	0017-00103-0333	4	Hardware: Hex Nut
-	0017-00101-1803	2	Hardware: Setscrew

PCB, Battery, Reed Switch and Bracket



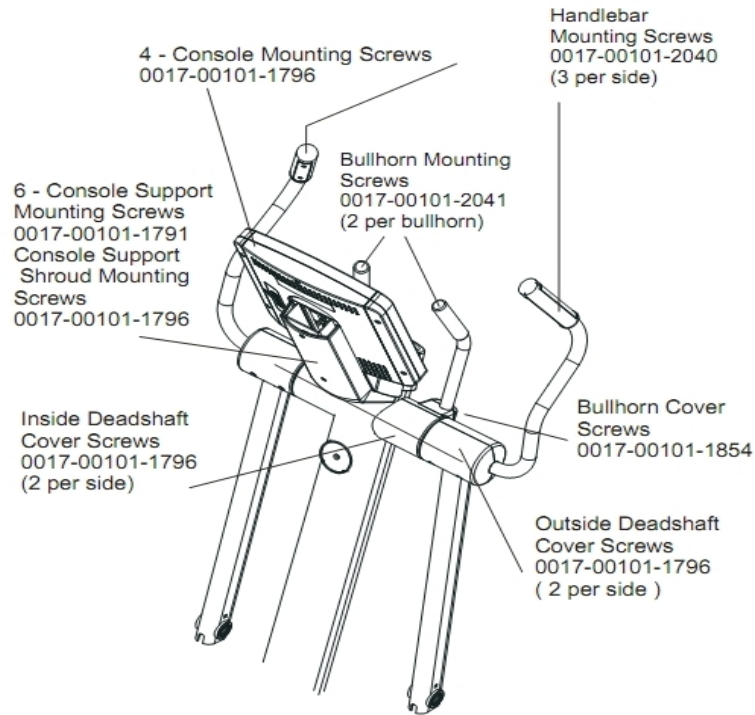
Ref #	Part Number	Qty	Description
-	118E-00001-0140	1	Reed Switch SPDT
-	0017-00101-1794	2	Hardware: Screw 10MM
-	0017-00101-1838	4	Hardware: Mounting Screw 19 MM
-	0K62-01233-0000	1	PCB Reed Switch Battery Bracket
-	B084-92218-0000	1	PCB Circuit Board
-	0017-00101-1797	2	Hardware: Mounting Screw 16 MM
-	0017-00042-0821	4	Hardware: Plastic Grommet
-	0017-00003-0685	1	6V Battery

Rocker Arms and Pedal Levers



Ref #	Part Number	Qty	Description
-	GK62-00002-0070	3	Rocker Arm Kit
-	AK58-00245-0000	1	Bug Medallion
-	AK62-00235-0000	1	Left Pedal Lever Assembly
-	AK62-00236-0000	1	Right Pedal Lever Assembly
-	OK61-01259-0000	2	Shaft Split Collar

Upper Frame Hardware



Items Not Shown:

Accessory Tray	0K62-01022-0001 (Stealth Gray)
Mounting Screws (2)	0017-00101-1846

Ref #	Part Number	Qty	Description
-	M0017-00101-1791	6	Hardware: Mounting Screw
-	0017-00101-2041	4	Hardware: Bullhorn Mounting Screw
-	0017-00101-1854	2	Hardware: Bullhorn Cover Screw 44MM
-	0017-00101-1796	13	Hardware: Mounting Screw 19 MM
-	0K62-01022-0001	1	Accessory Tray
-	0017-00101-1846	4	Hardware: Phillips Pan Screw 10 MM
-	0017-00101-2040	6	Hardware: Handlebar Mounting Screw

