

# Elevation Series - 95X Elliptical Cross-Trainer

95X-ALLXX-03

## Parts Manual

1/5/2019 11:32:00 AM

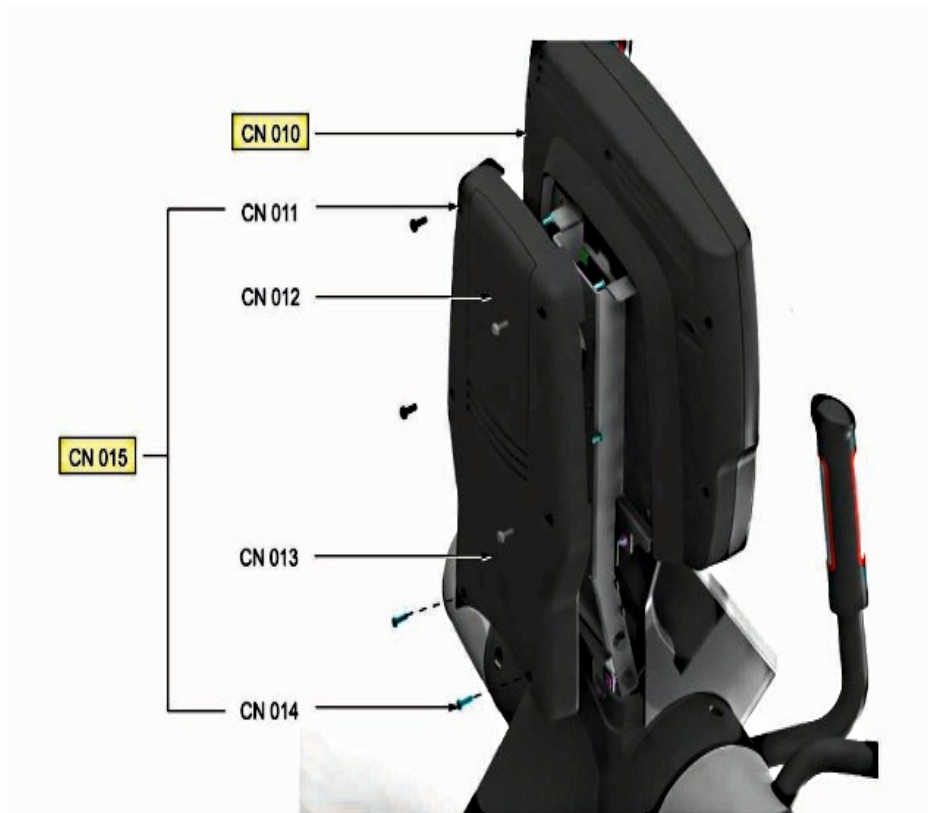


**Table of Contents**

---

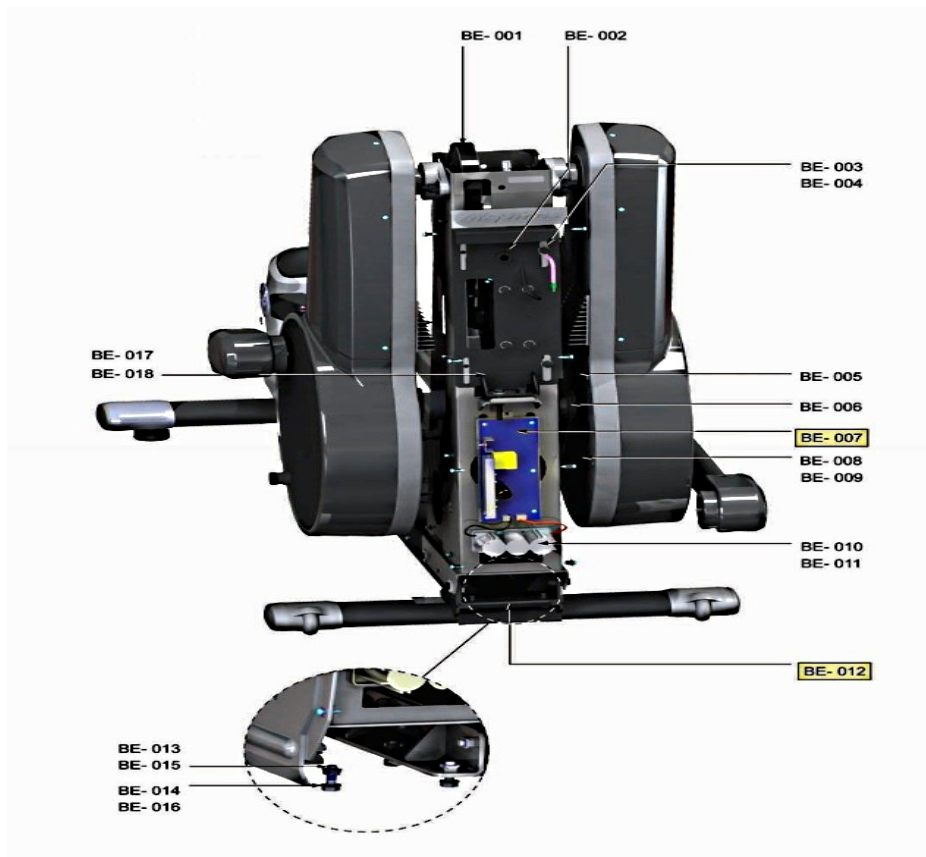
<a href="#">Back Console Cover and Console Support Bracket.....</a>	<a href="#">3</a>
<a href="#">Base Frame Electronics - Battery, GBC and Poly-V Belt.....</a>	<a href="#">4</a>
<a href="#">Base Frame Electronics - Cables.....</a>	<a href="#">5</a>
<a href="#">Drive System - Rear Tower Covers.....</a>	<a href="#">6</a>
<a href="#">Drive System - Upper Tower Components.....</a>	<a href="#">7</a>
<a href="#">Frame System - Bull Horns and Handlebars.....</a>	<a href="#">8</a>
<a href="#">Frame System - Collar Covers and Dead Shaft End Caps.....</a>	<a href="#">9</a>
<a href="#">Frame System - Mono-column and Dead Shaft.....</a>	<a href="#">10</a>
<a href="#">Frame System - Swoosh Covers and Stabilizer Assemblies.....</a>	<a href="#">11</a>
<a href="#">Linkage System - Frame Cover and Rocking Links.....</a>	<a href="#">12</a>
<a href="#">Linkage System - Pedal Levers.....</a>	<a href="#">13</a>
<a href="#">Linkage System - Rocker Arms and Front Clevis Covers.....</a>	<a href="#">14</a>
<a href="#">Miscellaneous Part Numbers.....</a>	<a href="#">15</a>
<a href="#">Timing System - Rocker Assembly Component.....</a>	<a href="#">16</a>
<a href="#">Timing System - Rocker Assembly Cover.....</a>	<a href="#">17</a>

## Back Console Cover and Console Support Bracket



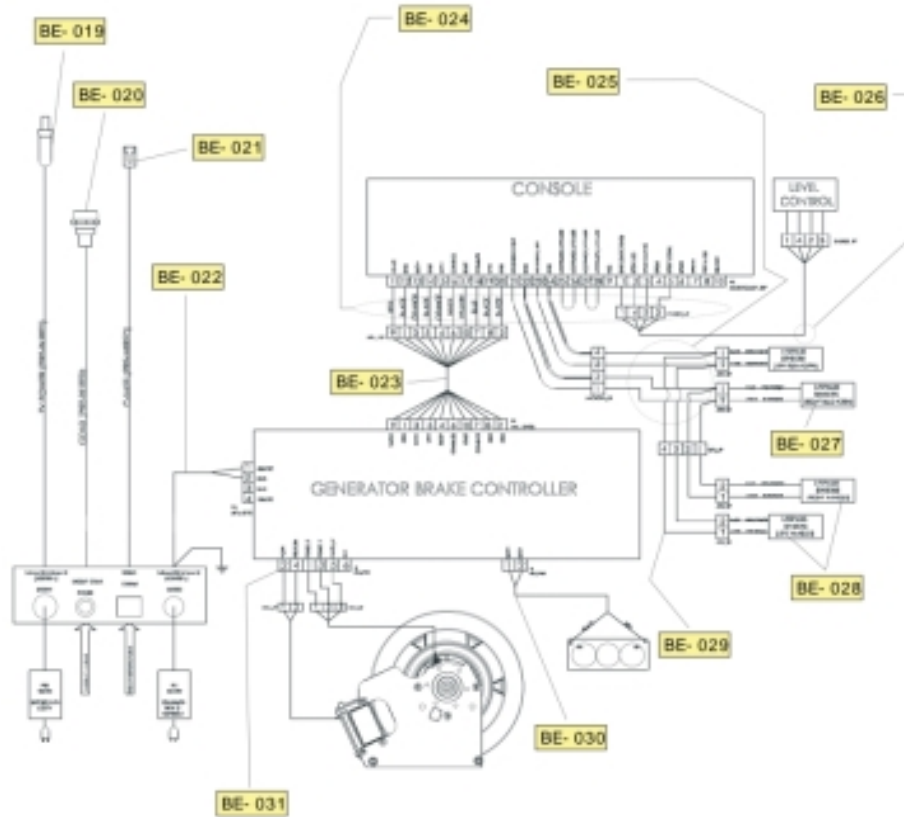
Ref #	Part Number	Qty	Description
CN-010	AK69-00081-0000	1	Console Support Bracket
CN-011	0017-00101-1972	4	Hardware: Screw 14MM
CN-012	0K69-01126-0000	1	Upper Back Cover
CN-013	0K69-01122-0000	1	Back Console Cover
CN-014	0017-00101-1796	2	Hardware: Mounting Screw 19 MM
CN-015	AK69-00115-0000	1	Back Cover Assembly

# Base Frame Electronics - Battery, GBC and Poly-V Belt



Ref #	Part Number	Qty	Description
BE-001	0K69-01256-0000	1	BELT: POLY-V; 360J10; 36.00 IN
BE-002	0K62-01189-0000	1	Elastomer Split Grommet
BE-003	0017-00103-0333	4	Hardware: Hex Nut
BE-004, BE-014, BE-018	0017-00104-0409	8	Hardware: Washer 1.125" OD
BE-005	0K69-01232-0201	2	Cover: Crank; Inner; Plastic -02XX Shadow
BE-006	0017-00101-2023	2	Hardware: Rear Rocking Link Screw 38MM
BE-007	AK66-00100-0006	1	PWR-PCB BRKT ASSY W/ SOFTWARE
BE-008	0K69-01038-0000	1	Inner Crank Arm
BE-009	0K69-01024-0000	1	Hex Key: 8 X 7 X 16
BE-010	0017-00003-0685	1	6V Battery
BE-011	0017-00101-1986	2	Hardware: Mounting Screw 16MM
BE-012	AK69-00089-0000	2	Frame Stiffener
BE-013, BE-015	0017-00101-1931	10	Hardware: Front Stabilizer Mtg Bolts 25MM
BE-016	0017-00104-0469	4	Hardware: Flat Washer 16MM OD
BE-017	0017-00101-2002	1	Hardware: Tension Bolt 60MM

## Base Frame Electronics - Cables



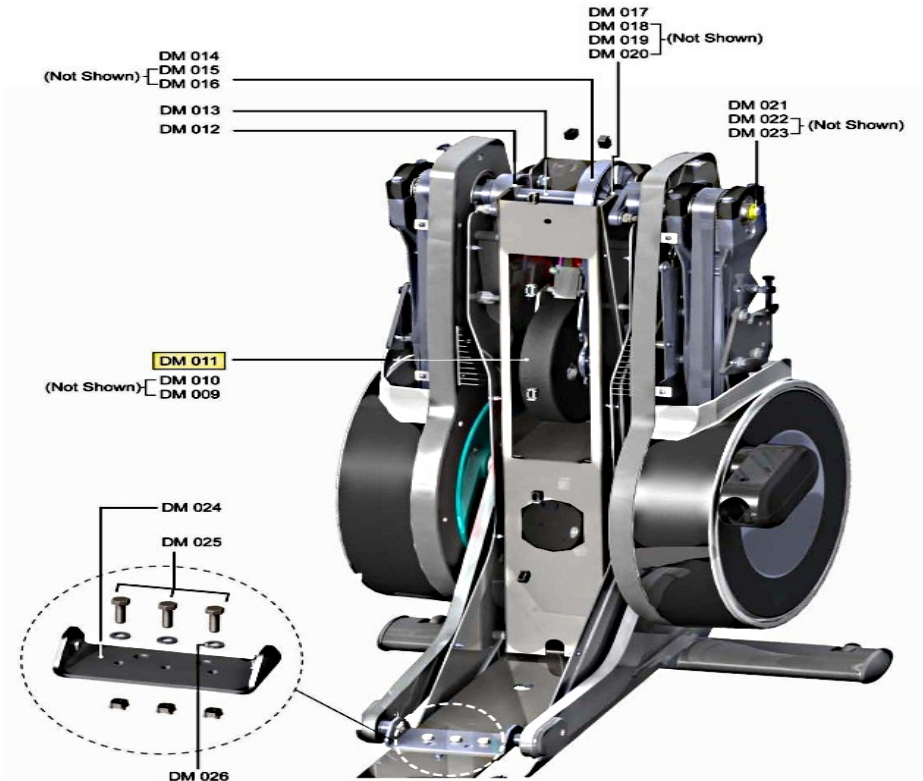
Ref #	Part Number	Qty	Description
BE-019	AK32-00160-0000	1	Ext Power Cable with Ferrite
BE-020	AK65-00062-0000	1	Cable: Coax RG6 Base
BE-021	AK65-00051-0001	1	C-safe Network Cable 65"
BE-022	AK69-00107-0001	1	Power Cable with Ground
BE-023	AK69-00105-0000	1	PBC to Console Cable
BE-024	AK69-00103-0000	1	Handlebar/Console Cable
BE-025	AK69-00109-0000	1	LifePulse Y Cable
BE-026	AK69-00108-0000	1	Keypad Cable
BE-027	AK61-00051-0000	1	Bullhorn HR cables
BE-028	AK61-00051-0002	1	Cable Assembly: User Arm
BE-029	AK69-00110-0000	1	LifePulse Flex Cable
BE-030	AK69-00106-0000	1	Battery cable
BE-031	AK69-00104-0000	1	Generator/Brake to GBC Cable

## Drive System - Rear Tower Covers



Ref #	Part Number	Qty	Description
DM-001	AK69-00083-0000	1	Top Rear Tower Cover
DM-002,D M-004,DM- 006,DM-00 8	0017-00101-1796	30	Hardware: Mounting Screw 19 MM
DM-003	AK69-00125-0000	1	Rear Tower Rear Cover
DM-005	0K69-01136-0000	1	Right Tower Cover
DM-007	0K69-01135-0000	1	Left Tower Cover

## Drive System - Upper Tower Components



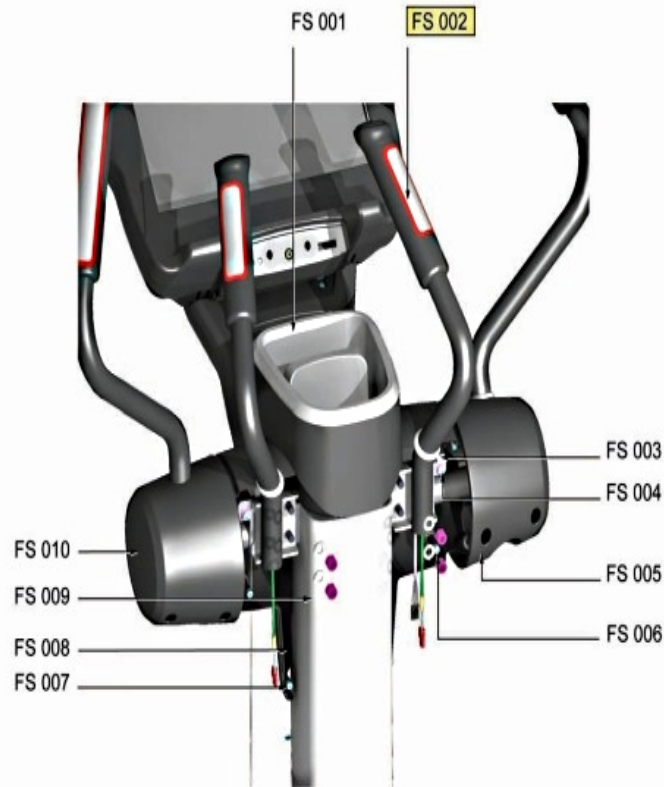
Ref #	Part Number	Qty	Description
DM-009,D M-026	0017-00104-0469	7	Hardware: Flat Washer 16MM OD
DM-010	0017-00101-1948	4	Hardware: Mounting Bolts 16MM
DM-011	AK69-00075-0000	1	ASSY: GENERATOR, MTG
DM-012	0017-00100-0148	1	E clip
DM-013	0K69-01030-0000	1	Drive Shaft
DM-014	0K69-01020-0000	1	Drive Pulley
DM-015	0017-00101-2015	3	Hardware: Pulley Set Screw 15 MM
DM-016	0K69-01021-0000	1	Hex Key: 8 X 7 X 34
DM-017	0K69-01250-0000	2	BRG: 360 DEGREE LOCKING FLANGE
DM-018	0017-00101-1867	4	Hardware: Mounting Bolt 45 MM
DM-019	0017-00104-0193	4	Hardware: Washer 1.06" OD
DM-020	0017-00103-0332	4	Hardware: Mounting Nut
DM-021	0K69-01175-0001	1	Hardware: Keyed Washer
DM-022,D M-025	0017-00101-1931	4	Hardware: Front Stabilizer Mtg Bolts 25MM
DM-023	0017-00104-0409	1	Hardware: Washer 1.125" OD
DM-024	AK69-00170-0000	1	Rocking Link Bracket with Weldnuts

## Frame System - Bull Horns and Handlebars



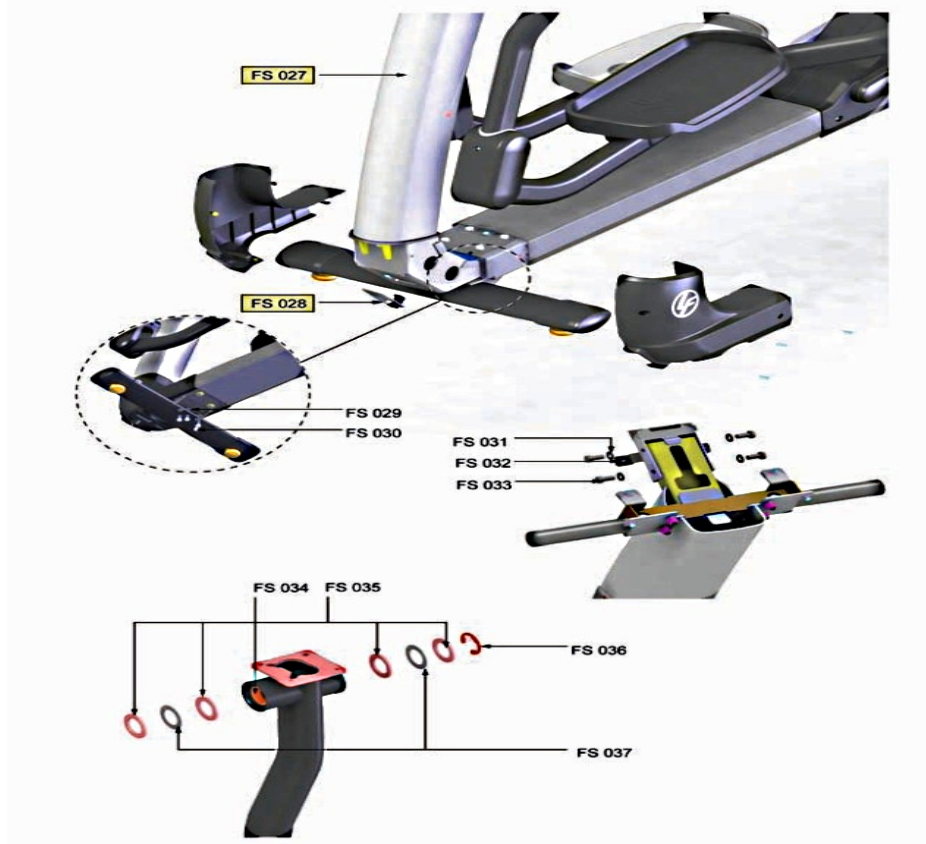
Ref #	Part Number	Qty	Description
FS-011	AK69-00085-0000	1	Left Handle Bar Assembly
FS-012	0017-00101-2007	3	Hardware: Mounting Bolt 16MM
FS-013	0017-00104-0469	3	Hardware: Flat Washer 16MM OD
FS-014	AK69-00062-0000	1	Left Bullhorn Assembly
FS-015	0017-00103-0333	2	Hardware: Hex Nut
FS-016	AK69-00068-0000	1	Right Bullhorn Assembly
FS-017	0K62-01199-0002	1	Gasket: Bullhorn
FS-018	AK69-00087-0000	1	Right Handle Bar Assembly
FS-019	AK69-00139-0003	2	Top Heart Rate Sensor
FS-020	AK69-00140-0003	2	Bottom Heart Rate Sensor
FS-021	0017-00101-2054	4	Hardware: Screw 1"
FS-022	GK69-00002-0001	1	Bullhorn Heart Rate Electrode Kit
FS-023	AK69-00102-0000	2	Bottom Heart Rate Sensor
FS-024	AK69-00101-0000	2	Top Heart Rate Sensor
FS-025	0017-00101-1277	6	Hardware: Sensor Mounting Screw 1"
FS-026	GK69-00002-0002	1	Handlebar Heart Rate Kit

## Frame System - Collar Covers and Dead Shaft End Caps



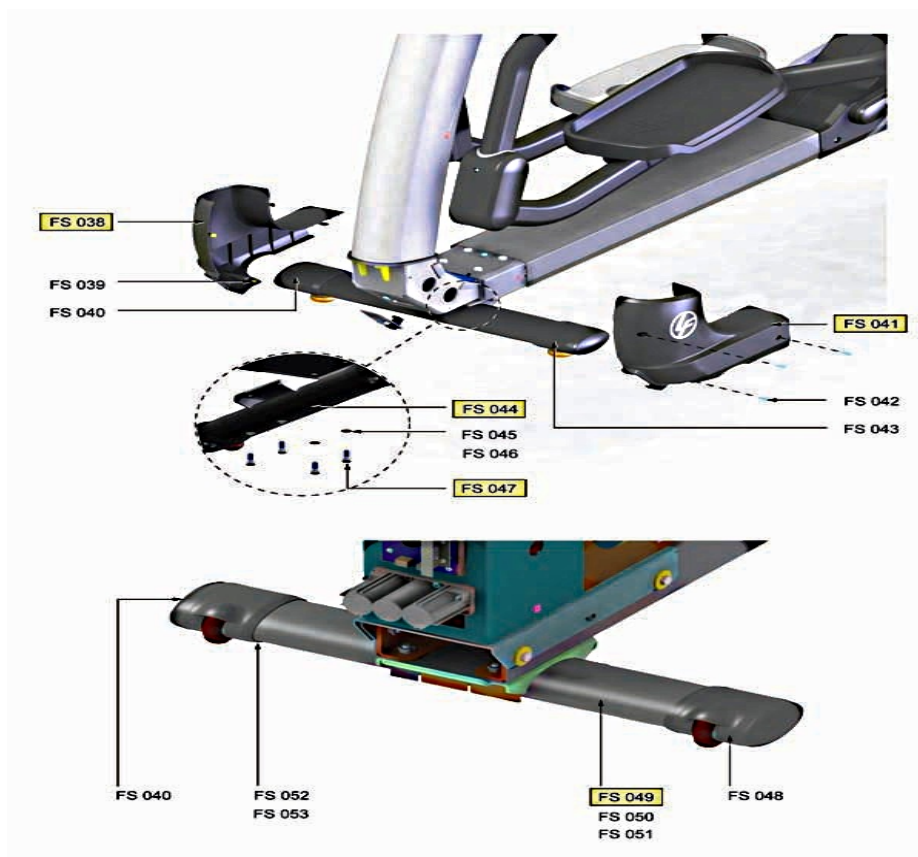
Ref #	Part Number	Qty	Description
FS-001	0K69-01125-0003	1	Media Tray
FS-002	AK69-00100-0000	1	Resistance Level Button Assembly
FS-003	0K69-01124-0000	1	Top Dead Shaft Cover
FS-004,FS-006,FS-007	0017-00101-1796	13	Hardware: Mounting Screw 19 MM
FS-005	0K69-01127-0000	1	Dead Shaft End Cap
FS-008	0K69-01123-0000	1	Front Collar Dead Shaft Cover
FS-009	0K69-01121-0000	1	Rear Collar Dead Shaft Cover
FS-010	0K69-01128-0000	1	Dead Shaft End Cap

## Frame System - Mono-column and Dead Shaft



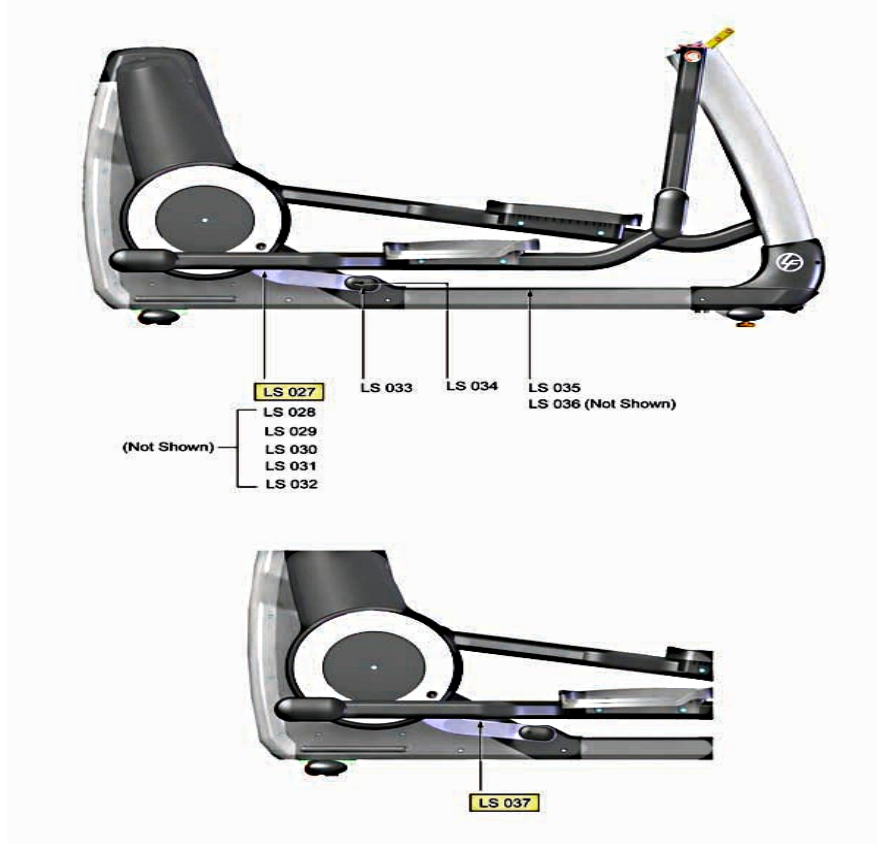
Ref #	Part Number	Qty	Description
FS-027	AK69-00111-0001	1	Support: Monocolumn: Prep Assembly
FS-028	AK66-00036-0000	1	Bracket Assembly: Power/Coax Input
FS-029	0017-00101-1931	6	Hardware: Front Stabilizer Mtg Bolts 25MM
FS-030,FS-033	0017-00104-0469	8	Hardware: Flat Washer 16MM OD
FS-031	0K69-01062-0000	1	Dead Shaft
FS-032	0017-00101-1925	2	Hardware: Mounting Bolt 40MM
FS-034	0K69-01018-0000	1	Shaft Collar
FS-035	0K69-01074-0000	4	Hardware: Thrust Washer 47 MM OD
FS-036	0017-00100-0148	1	E clip
FS-037	0017-00006-0294	2	Thrust Bearing

## Frame System - Swoosh Covers and Stabilizer Assemblies



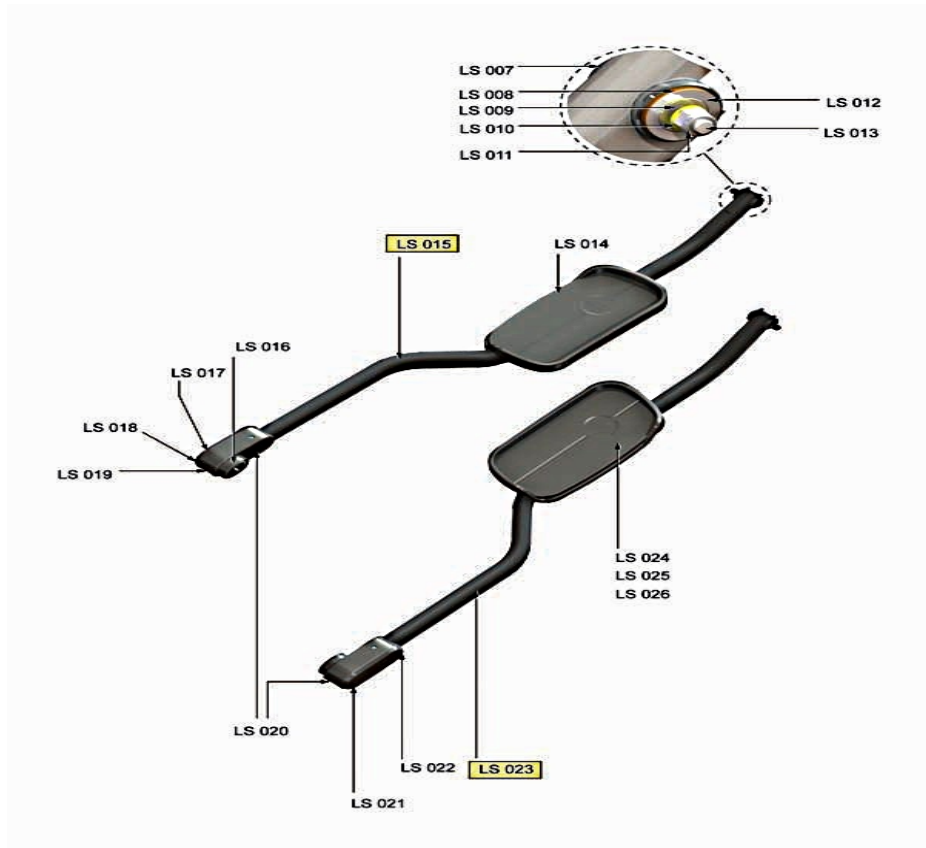
Ref #	Part Number	Qty	Description
FS-038	AK69-00124-0000	1	Right Swoosh Cover W/ LF Bug
FS-039,FS-042	0017-00101-1796	6	Hardware: Mounting Screw 19 MM
FS-040	0K66-01042-0000	1	End Cap (Front and Rear)
FS-041	AK69-00124-0001	1	Left Swoosh Cover W/ LF Bug
FS-043	0K69-01139-0000	1	Shorud Stabilizer Front
FS-044	AK69-00118-0000	1	Front Stabilizer
FS-045,FS-051	0017-00104-0469	8	Hardware: Flat Washer 16MM OD
FS-046,FS-050	0017-00101-1931	8	Hardware: Front Stabilizer Mtg Bolts 25MM
FS-047	0K68-01047-0000	2	Leg Leveler
FS-048	0K66-01041-0000	1	Shorud Stabilizer Front
FS-049	AK69-00090-0000	1	Rear Stabilizer
FS-052	0K66-01039-0000	1	Wheel
FS-053	0K66-01040-0000	1	Wheel Shaft

## Linkage System - Frame Cover and Rocking Links



Ref #	Part Number	Qty	Description
LS-027	AK69-00113-0000	1	Lower Left Rocking Link Assembly
LS-028	0017-00101-2037	2	Hardware: SCR: M8 X 1.25 X 50 HEX
LS-029	0017-00104-0409	2	Hardware: Washer 1.125" OD
LS-030	0K69-01079-0000	2	Front Spacer
LS-031	0017-00101-2023	2	Hardware: Rear Rocking Link Screw 38MM
LS-032	0K69-01178-0000	2	Rear Spacer
LS-033	0K69-01119-0000	2	Right and Left Rocking Link Cover
LS-034	0017-00101-1940	2	Hardware: Screw 14MM
LS-035	0K69-01132-0000	2	Main Frame Cover
LS-036	0017-00101-1986	4	Hardware: Mounting Screw 16MM
LS-037	AK69-00112-0000	1	Lower Right Rocking Link Assembly

## Linkage System - Pedal Levers



Ref #	Part Number	Qty	Description
LS-007	0017-00006-0164	2	Front Pedal Lever Bearing
LS-008	0K47-01104-0000	2	Hardware: Thrust Washer
LS-009	0K69-01190-0000	2	Hardware: Steel Thrust Washer
LS-010	0017-00104-0190	2	Hardware: Flat Washer 0.734" OD
LS-011	0017-00103-0334	2	Hardware: Nut 10 MM
LS-012	0017-00101-1955	2	Hardware: Hex Bolt 85MM
LS-013	0K69-01075-0000	1	Shaft
LS-014	0K69-01099-0000	1	Left Pedal
LS-015	AK69-00120-0000	1	Left Pedal Lever Assembly
LS-016	0K69-01231-0000	1	Hardware: Rear Mounting Bolt
LS-017	0017-00006-0289	1	Rear Pedal Lever Bearing
LS-018,LS-021	0K69-01130-0000	2	Left Top Rear Pedal Cover
LS-019,LS-022	0K69-01131-0000	2	Left Bottom Rear Pedal Cover
LS-020	0017-00101-1796	2	Hardware: Mounting Screw 19 MM
LS-023	AK69-00121-0000	1	Right Pedal Lever Assembly
LS-025	0017-00101-1929	8	Hardware: Pedal Mounting Screws 25MM
LS-026	0017-00104-0469	8	Hardware: Flat Washer 16MM OD

## Linkage System - Rocker Arms and Front Clevis Covers



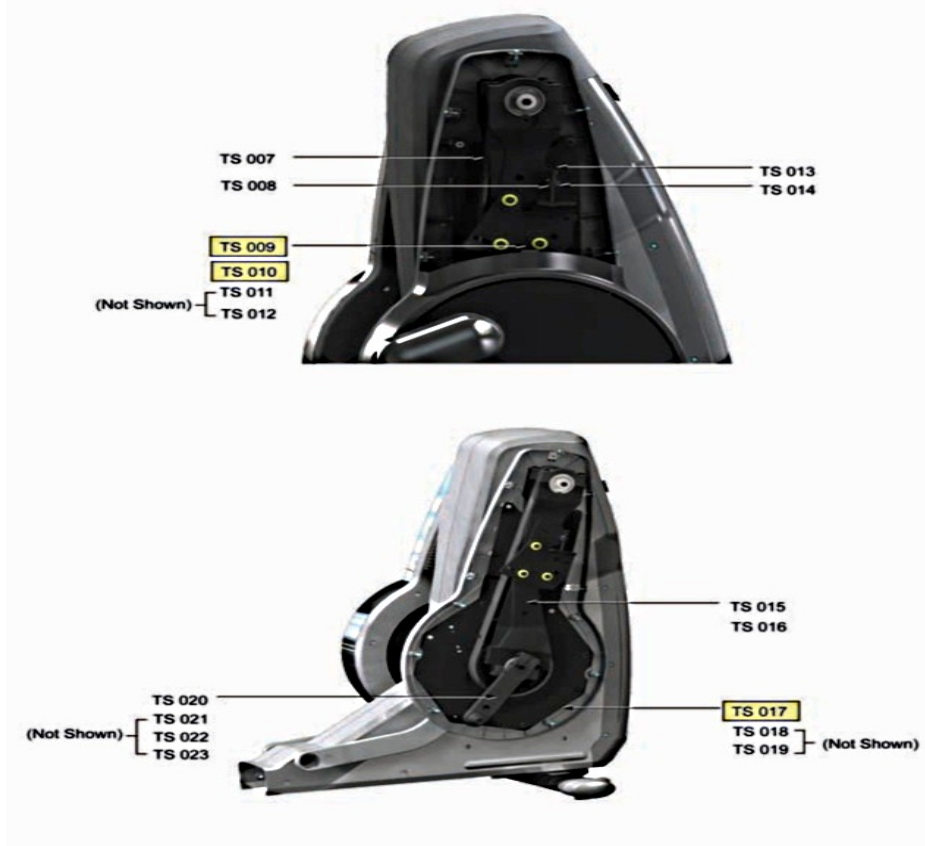
Ref #	Part Number	Qty	Description
LS-001	AK69-00045-0000	2	Rocker Arm (Right or Left)
LS-002	0K69-01114-0000	1	Left Front Clevis Cover
LS-003	0K69-01116-0000	1	Left Rear Clevis Cover
LS-004	0017-00101-1796	1	Hardware: Mounting Screw 19 MM
LS-005	0K69-01115-0000	1	Right Front Clevis Cover
LS-006	0K69-01117-0000	1	Right Rear Clevis Cover

## Miscellaneous Part Numbers

---

Ref #	Part Number	Qty	Description
MISC-002	0017-00003-1051	1	POWER SUPPLY: 39VDC, 1.66A
MISC-003	0017-00003-0704	1	Line Cord 10A 125 V
MISC-008	LCBCT-DOMLX-01	1	Kit: Bike/Cross-Trainer Domestic Line Cord LV
MISC-010	0017-00008-0210	1	Paint: Shadow-Gray Touch Up: .6 OZ Bottle
MISC-011	0017-00008-0211	1	Paint: Shadow-Gray Touch Up: .6 OZ Bottle
MISC-012	AK66-00036-0000	1	Bracket Assembly: Power/Coax Input
MISC-013	0K66-01063-0000	1	Power Coax Bracket
MISC-014	0017-00021-2846	1	F-Type Panel Connector
MISC-015	0017-00021-2980	1	Cat-5 Receptacle
MISC-016	AK69-00136-0000	1	Hardware Bag

## Timing System - Rocker Assembly Component



Ref #	Part Number	Qty	Description
TS-007	0K69-01041-0002	2	Timing Belt 25mm
TS-008	0017-00103-0338	1	Hardware: Hex Nut 8 MM
TS-009	AK69-00029-0001	1	Right Idler Bracket Assembly
TS-010	AK69-00029-0000	1	Left Idler Bracket Assembly
TS-011	0017-00101-1951	4	Hardware: Idler Bracket Mounting Screws 100MM
TS-012	0017-00104-0334	4	Hardware: Flat Washers 0.880" OD
TS-013	0017-00101-2002	1	Hardware: Tension Bolt 60MM
TS-014	0K69-01174-0000	1	Tension Pivot Bracket
TS-015	GK69-00002-0003	1	Kit: Right Rocker Casting w/ Pulleys
TS-016	GK69-00002-0004	1	Kit: Left Rocker Casting w/ Pulleys
TS-017	AK69-00123-0000	1	Inner Rocker Shroud Assembly
TS-018	0017-00101-1953	12	Hardware: Mounting Screw 14MM
TS-019	0017-00104-0488	12	Hardware: Flat Washers 11.5 MM OD
TS-020	0K69-01227-0000	2	Crank Arm
TS-021	0017-00101-1905	2	Hardware: Bolt 70 MM
TS-022	0017-00103-0333	2	Hardware: Hex Nut
TS-023	0K69-01023-0000	2	Hex Key: 8 X 7 X 20

## Timing System - Rocker Assembly Cover



Ref #	Part Number	Qty	Description
TS-001	0K69-01108-0000	2	Upper Rocker Cover
TS-002,TS-004	0017-00101-1796	22	Hardware: Mounting Screw 19 MM
TS-003	0K69-01109-0000	2	Lower Rocker Cover Mounting Screws
TS-005	AK69-00096-0000	4	Outside Crank Cover w/decal (Left & Right)
TS-006	0017-00101-1988	2	Hardware: Outside Crank Cover Mounting Screw 14MM

