

# 95X Cross-Trainer Base - Heart Rate

95X-ALLXX-06

## Parts Manual

1/5/2019 11:32:04 AM

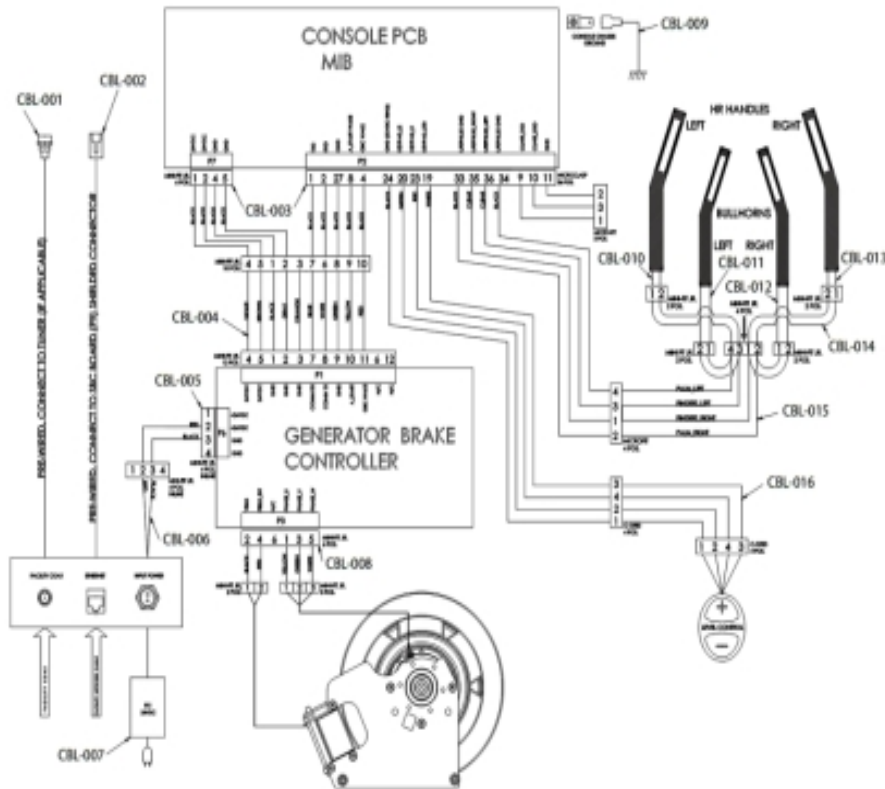


## Table of Contents

---

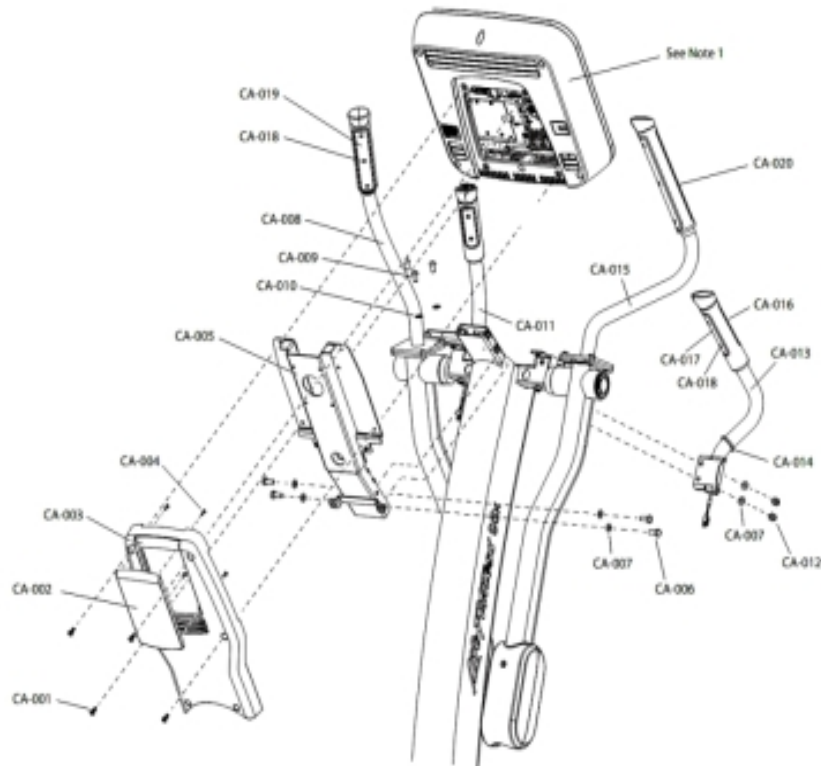
|  |                    |
|--|--------------------|
| <a href="#">Base Frame Electronics - Cables.....</a>                             | <a href="#">3</a>  |
| <a href="#">Console Assembly, Bullhorns, Handlebars, Bracket and Covers.....</a> | <a href="#">4</a>  |
| <a href="#">Cover and Rocking Links.....</a>                                     | <a href="#">5</a>  |
| <a href="#">Deadshaft, Tower and Frame Covers.....</a>                           | <a href="#">6</a>  |
| <a href="#">Drive System - Upper Tower Components.....</a>                       | <a href="#">7</a>  |
| <a href="#">Frame System - Collar Covers and Dead Shaft End Caps.....</a>        | <a href="#">8</a>  |
| <a href="#">Frame System - Rocker Arms and Front Clevis Covers.....</a>          | <a href="#">9</a>  |
| <a href="#">Linkage System - Pedal Levers.....</a>                               | <a href="#">10</a> |
| <a href="#">Miscellaneous Part Numbers.....</a>                                  | <a href="#">11</a> |
| <a href="#">Mono-Column and Stabilizer Assemblies.....</a>                       | <a href="#">12</a> |
| <a href="#">Timing System - Left Rocker Assembly Component.....</a>              | <a href="#">13</a> |
| <a href="#">Timing System - Right Rocker Assembly Component.....</a>             | <a href="#">15</a> |

## Base Frame Electronics - Cables



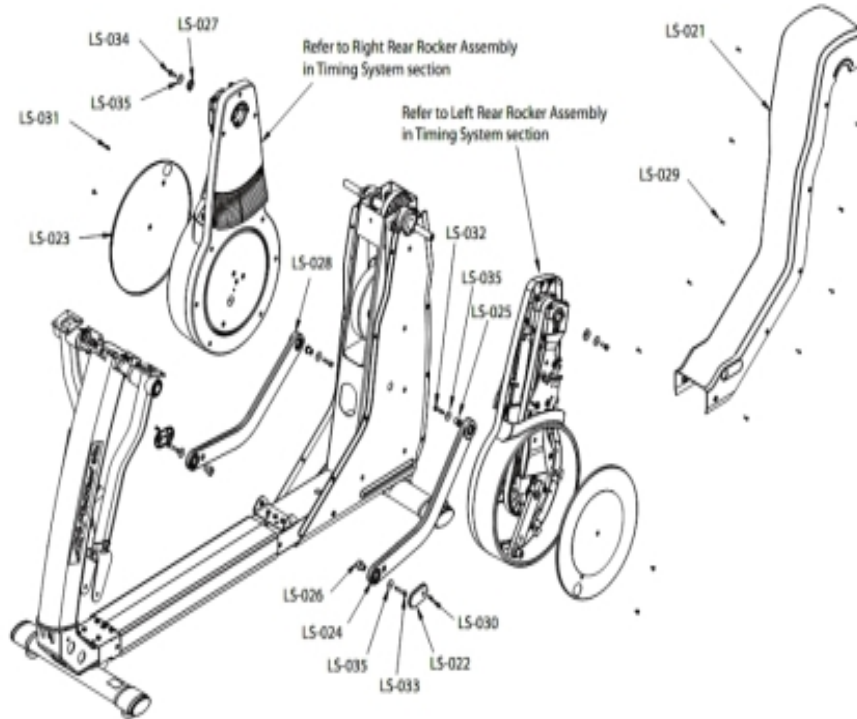
| Ref #    | Part Number     | Qty | Description   |
|----------|-----------------|-----|---|
| CBL-001  | AK65-00062-0000 | 2   | Cable: Coax RG6 Base                                |
| MISC-001 | 0017-00003-1051 | 1   | POWER SUPPLY: 39VDC, 1.66A                          |
| CBL-002  | AK70-00092-0000 | 2   | CABLE ASSY: CAT5E, V2, 84 INCH                      |
| CBL-003  | AK92-00048-0001 | 2   | CABLE ASSY, EXTENSION TO CONSOLE(CROSSTRAINER)      |
| CBL-004  | AK92-00033-0000 | 2   | PCB TO CONSOLE CABLE                                |
| CBL-005  | AK92-00062-0000 | 2   | EXTERNAL POWER WITH GROUND EXTENSION CABLE ASSEMBLY |
| CBL-006  | AK92-00067-0000 | 2   | CABLE ASSEMBLY: EXTERNAL POWER; CT                  |
| CBL-007  | 0017-00003-1091 | 2   | POWER SUPPLY: 24VDC, 5A                             |
| CBL-008  | AK69-00104-0000 | 2   | Generator/Brake to GBC Cable                        |
| CBL-009  | AK65-00103-0002 | 2   | CBL ASSY: GROUND, ESD                               |
| CBL-012  | AK61-00051-0002 | 4   | Cable Assembly: User Arm                            |
| CBL-013  | AK61-00051-0000 | 4   | Bullhorn HR cables                                  |
| CBL-014  | AK69-00110-0000 | 2   | LifePulse Flex Cable                                |
| CBL-015  | AK69-00109-0000 | 2   | LifePulse Y Cable                                   |
| CBL-016  | AK69-00108-0000 | 2   | Keypad Cable  |

## Console Assembly, Bullhorns, Handlebars, Bracket and Covers



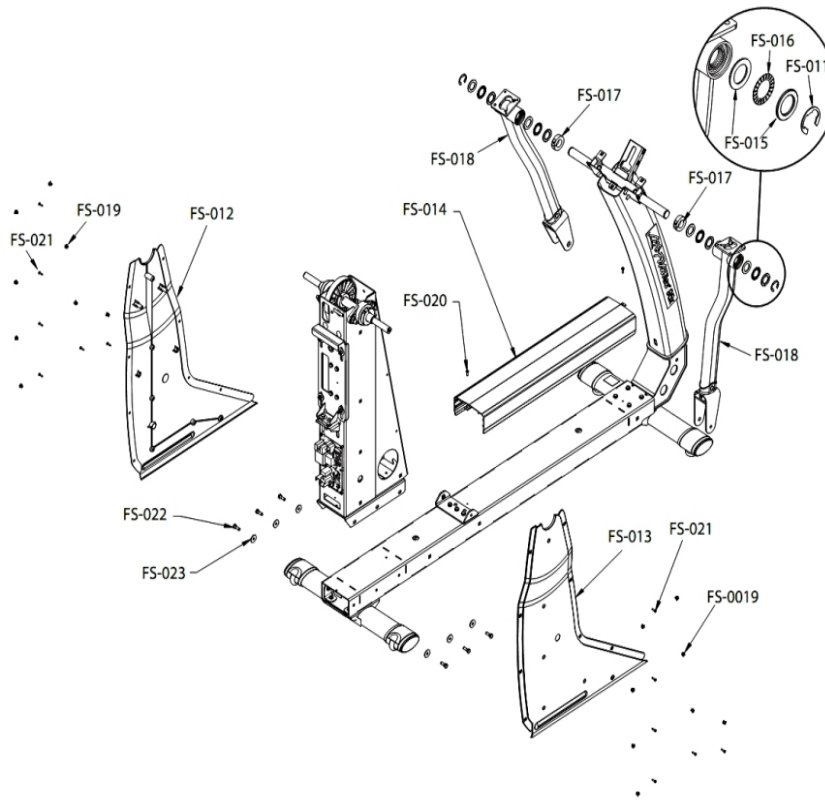
| Ref #          | Part Number     | Qty | Description                               |
|----------------|-----------------|-----|---|
| CA-001         | 0017-00101-1972 | 8   | Hardware: Screw 14MM                      |
| CA-002         | AK92-00058-0000 | 2   | ASSEMBLY: COVER; REMOVABLE DOOR; APOLLO 2 |
| CA-003         | 0K69-01122-0000 | 2   | Back Console Cover                        |
| CA-004         | 0017-00101-1650 | 8   | Hardware: Phillips Pan Screw 0.375"       |
| CA-005         | AK69-00081-0000 | 2   | Console Support Bracket                   |
| CA-006         | 0017-00101-1906 | 8   | Hardware: Hex Screw 20 MM                 |
| CA-007, CA-010 | 0017-00104-0469 | 20  | Hardware: Flat Washer 16MM OD             |
| CA-008         | AK69-00085-0000 | 2   | Left Handle Bar Assembly                  |
| CA-009         | 0017-00101-2007 | 12  | Hardware: Mounting Bolt 16MM              |
| CA-011         | AK69-00062-0000 | 2   | Left Bullhorn Assembly                    |
| CA-012         | 0017-00103-0333 | 8   | Hardware: Hex Nut                         |
| CA-013         | AK69-00068-0000 | 2   | Right Bullhorn Assembly                   |
| CA-014         | 0K62-01199-0002 | 8   | Gasket: Bullhorn                          |
| CA-015         | AK69-00087-0000 | 2   | Right Handle Bar Assembly                 |
| CA-016         | AK69-00139-0003 | 2   | Top Heart Rate Sensor                     |
| CA-017         | AK69-00140-0003 | 2   | Bottom Heart Rate Sensor                  |
| CA-018         | 0017-00101-2054 | 12  | Hardware: Screw 1"                        |
| CA-020         | AK69-00102-0000 | 2   | Bottom Heart Rate Sensor                  |
| CA-021         | AK69-00101-0000 | 2   | Top Heart Rate Sensor                     |

## Cover and Rocking Links



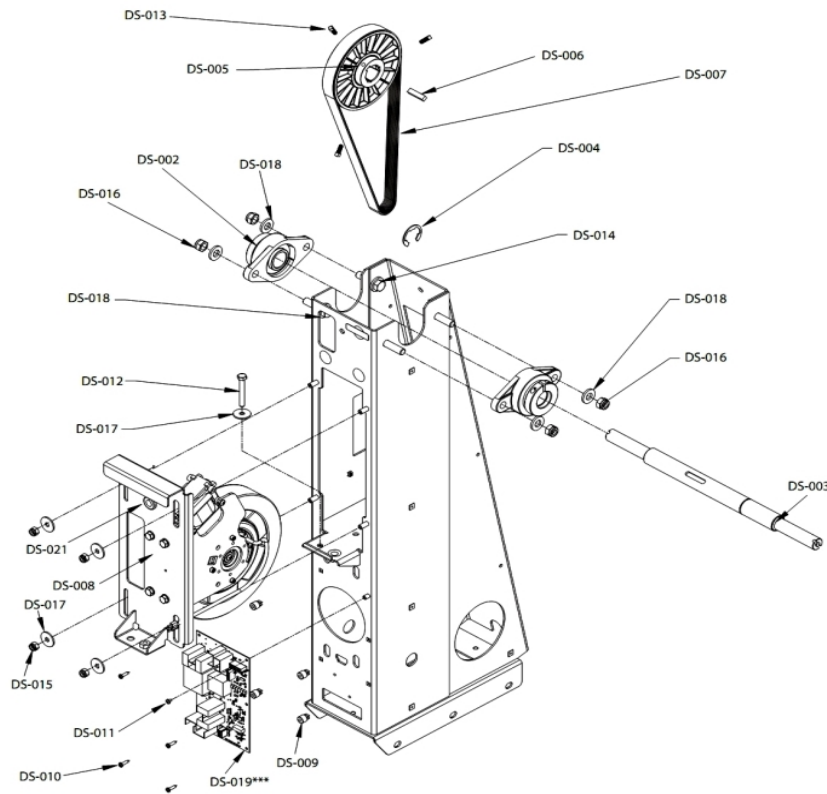
| Ref #  | Part Number     | Qty | Description                                       |
|--------|-----------------|-----|---|
| LS-021 | AK69-00083-0000 | 2   | Top Rear Tower Cover                              |
| LS-022 | 0K69-01119-0000 | 4   | Right and Left Rocking Link Cover                 |
| LS-023 | AK69-00096-0000 | 4   | Outside Crank Cover w/decals (Left & Right)       |
| LS-024 | AK69-00113-0000 | 2   | Lower Left Rocking Link Assembly                  |
| LS-025 | 0K69-01178-0000 | 4   | Rear Spacer                                       |
| LS-026 | 0K69-01079-0000 | 4   | Front Spacer                                      |
| LS-027 | 0K69-01175-0001 | 4   | Hardware: Keyed Washer                            |
| LS-028 | AK69-00112-0000 | 2   | Lower Right Rocking Link Assembly                 |
| LS-029 | 0017-00101-1796 | 20  | Hardware: Mounting Screw 19 MM                    |
| LS-030 | 0017-00101-1940 | 4   | Hardware: Screw 14MM                              |
| LS-031 | 0017-00101-1988 | 8   | Hardware: Outside Crank Cover Mounting Screw 14MM |
| LS-032 | 0017-00101-2023 | 4   | Hardware: Rear Rocking Link Screw 38MM            |
| LS-033 | 0017-00101-2037 | 4   | Hardware: SCR: M8 X 1.25 X 50 HEX                 |
| LS-034 | 0017-00101-1931 | 4   | Hardware: Front Stabilizer Mtg Bolts 25MM         |
| LS-035 | 0017-00104-0409 | 4   | Hardware: Washer 1.125" OD                        |
| LS-036 | 0017-00101-1986 | 8   | Hardware: Mounting Screw 16MM                     |

## Deadshaft, Tower and Frame Covers



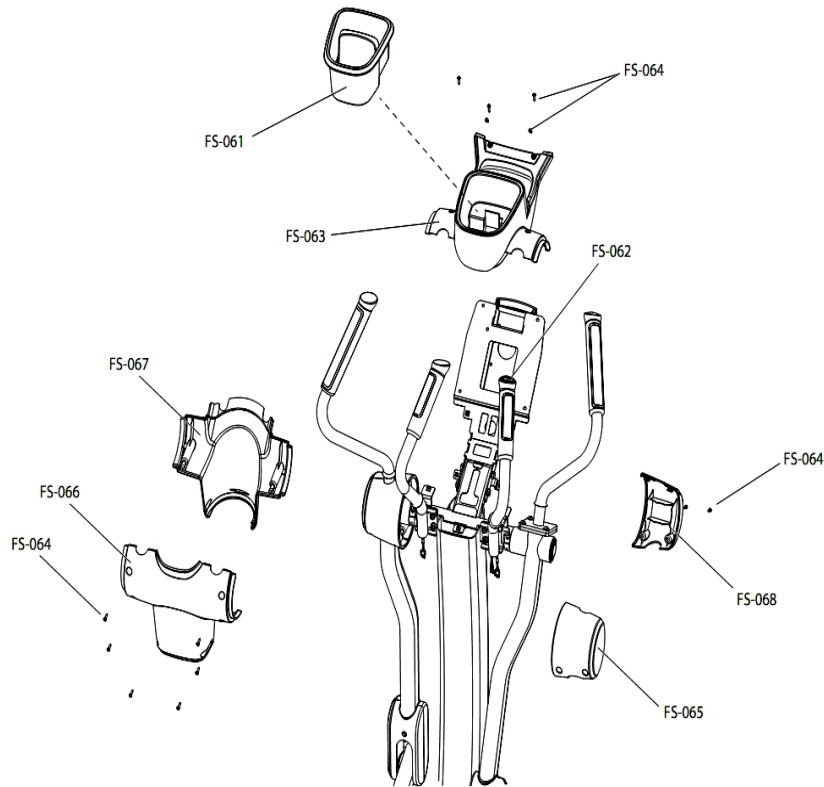
| Ref #  | Part Number     | Qty | Description                               |
|--------|-----------------|-----|---|
| FS-011 | 0017-00100-0148 | 4   | E clip                                    |
| FS-012 | 0K69-01135-0000 | 2   | Left Tower Cover                          |
| FS-013 | 0K69-01136-0000 | 2   | Right Tower Cover                         |
| FS-014 | 0K69-01132-0000 | 2   | Main Frame Cover                          |
| FS-015 | 0K69-01074-0000 | 8   | Hardware: Thrust Washer 47 MM OD          |
| FS-016 | 0017-00006-0294 | 4   | Thrust Bearing                            |
| FS-017 | 0K69-01018-0000 | 4   | Shaft Collar                              |
| FS-018 | AK69-00045-0000 | 4   | Rocker Arm (Right or Left)                |
| FS-019 | 0017-00042-1147 | 28  | Hardware: Nylon Grommet                   |
| FS-020 | 0017-00101-1986 | 4   | Hardware: Mounting Screw 16MM             |
| FS-021 | 0017-00101-1796 | 28  | Hardware: Mounting Screw 19 MM            |
| FS-022 | 0017-00101-1931 | 6   | Hardware: Front Stabilizer Mtg Bolts 25MM |
| FS-023 | 0017-00104-0409 | 6   | Hardware: Washer 1.125" OD                |

## Drive System - Upper Tower Components



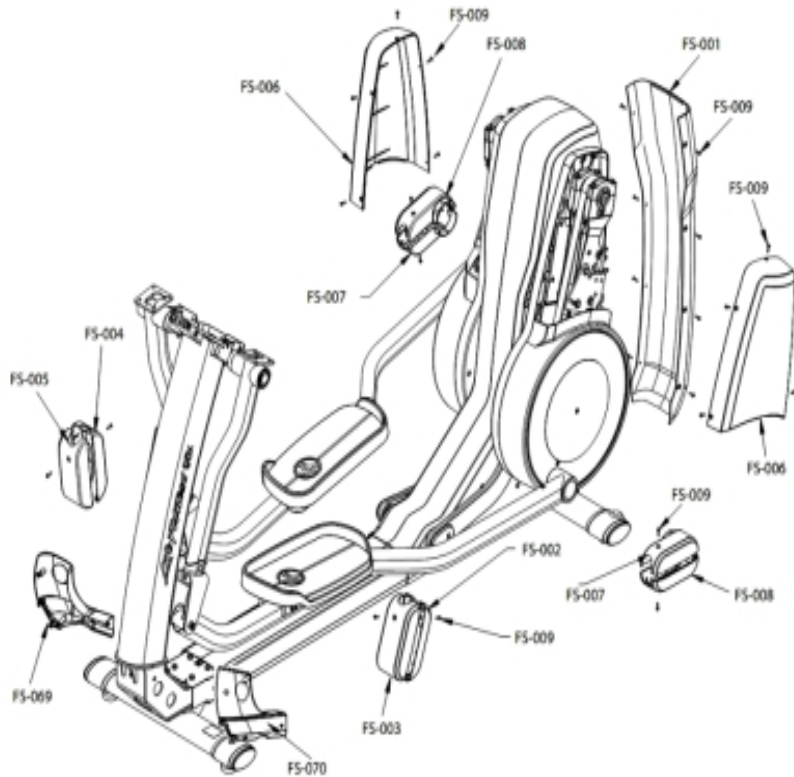
| Ref #  | Part Number     | Qty | Description                              |
|--------|-----------------|-----|--|
| DS-002 | 0K69-01250-0000 | 4   | BRG: 360 DEGREE LOCKING FLANGE           |
| DS-003 | 0K69-01030-0000 | 2   | Drive Shaft                              |
| DS-004 | 0017-00100-0148 | 2   | E clip                                   |
| DS-005 | 0K69-01020-0000 | 2   | Drive Pulley                             |
| DS-006 | 0K69-01021-0000 | 2   | Hex Key: 8 X 7 X 34                      |
| DS-007 | 0K69-01256-0000 | 2   | BELT: POLY-V; 360J10; 36.00 IN           |
| DS-008 | AK69-00075-0000 | 2   | ASSY: GENERATOR, MTG                     |
| DS-009 | 0017-00042-1226 | 2   | Hardware: Plastic Grommet                |
| DS-010 | 0017-00101-1795 | 10  | Hardware: Mounting Screw                 |
| DS-011 | 0017-00101-2107 | 2   | SCR: M4 X 0.70-6G6G X 6 PHL PAN MS ST ZS |
| DS-012 | 0017-00101-2002 | 2   | Hardware: Tension Bolt 60MM              |
| DS-013 | 0017-00101-2015 | 6   | Hardware: Pulley Set Screw 15 MM         |
| DS-014 | 0017-00101-1867 | 8   | Hardware: Mounting Bolt 45 MM            |
| DS-015 | 0017-00103-0333 | 8   | Hardware: Hex Nut                        |
| DS-016 | 0017-00103-0332 | 8   | Hardware: Mounting Nut                   |
| DS-017 | 0017-00104-0409 | 2   | Hardware: Washer 1.125" OD               |
| DS-018 | 0017-00104-0193 | 8   | Hardware: Washer 1.06" OD                |
| DS-019 | A084-92389-0001 | 1   | PROGRAMMED PCB: B084-92389-0001          |
| DS-021 | 0K62-01189-0000 | 14  | Elastomer Split Grommet                  |

## Frame System - Collar Covers and Dead Shaft End Caps



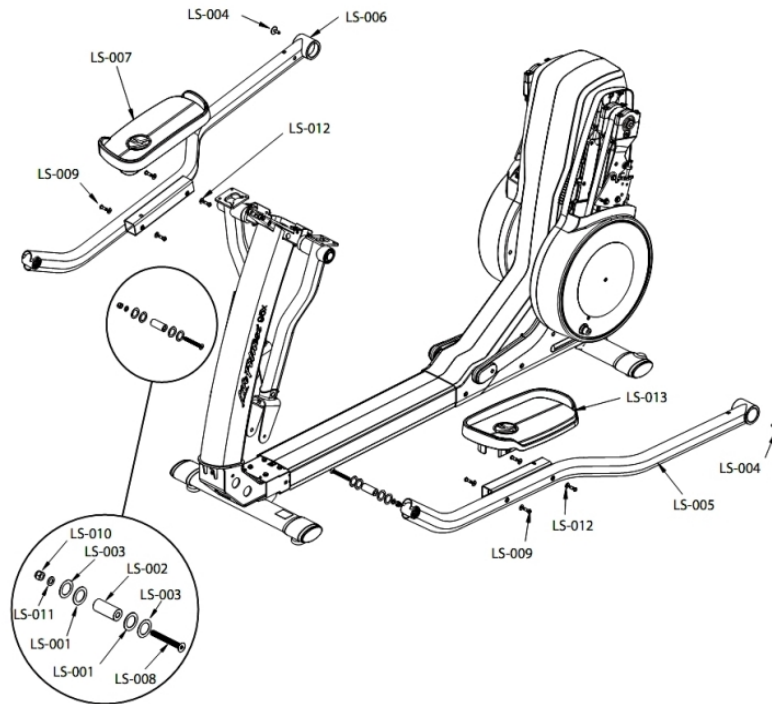
| Ref #  | Part Number     | Qty | Description                      |
|--------|-----------------|-----|----------------------------------|
| FS-061 | 0K69-01125-0003 | 2   | Media Tray                       |
| FS-062 | AK69-00100-0000 | 2   | Resistance Level Button Assembly |
| FS-063 | 0K69-01124-0000 | 2   | Top Dead Shaft Cover             |
| FS-064 | 0017-00101-1796 | 26  | Hardware: Mounting Screw 19 MM   |
| FS-065 | 0K69-01127-0000 | 2   | Dead Shaft End Cap               |
| FS-066 | 0K69-01123-0000 | 2   | Front Collar Dead Shaft Cover    |
| FS-067 | 0K69-01121-0000 | 2   | Rear Collar Dead Shaft Cover     |
| FS-068 | 0K69-01128-0000 | 2   | Dead Shaft End Cap               |

## Frame System - Rocker Arms and Front Clevis Covers



| Ref #  | Part Number     | Qty | Description                    |
|--------|-----------------|-----|--------------------------------|
| FS-001 | AK69-00125-0000 | 2   | Rear Tower Rear Cover          |
| FS-002 | 0K69-01114-0000 | 2   | Left Front Clevis Cover        |
| FS-003 | 0K69-01116-0000 | 2   | Left Rear Clevis Cover         |
| FS-004 | 0K69-01115-0000 | 2   | Right Front Clevis Cover       |
| FS-005 | 0K69-01117-0000 | 2   | Right Rear Clevis Cover        |
| FS-006 | 0K69-01108-0000 | 4   | Upper Rocker Cover             |
| FS-007 | 0K69-01130-0000 | 4   | Left Top Rear Pedal Cover      |
| FS-008 | 0K69-01131-0000 | 4   | Left Bottom Rear Pedal Cover   |
| FS-009 | 0017-00101-1796 | 8   | Hardware: Mounting Screw 19 MM |

## Linkage System - Pedal Levers



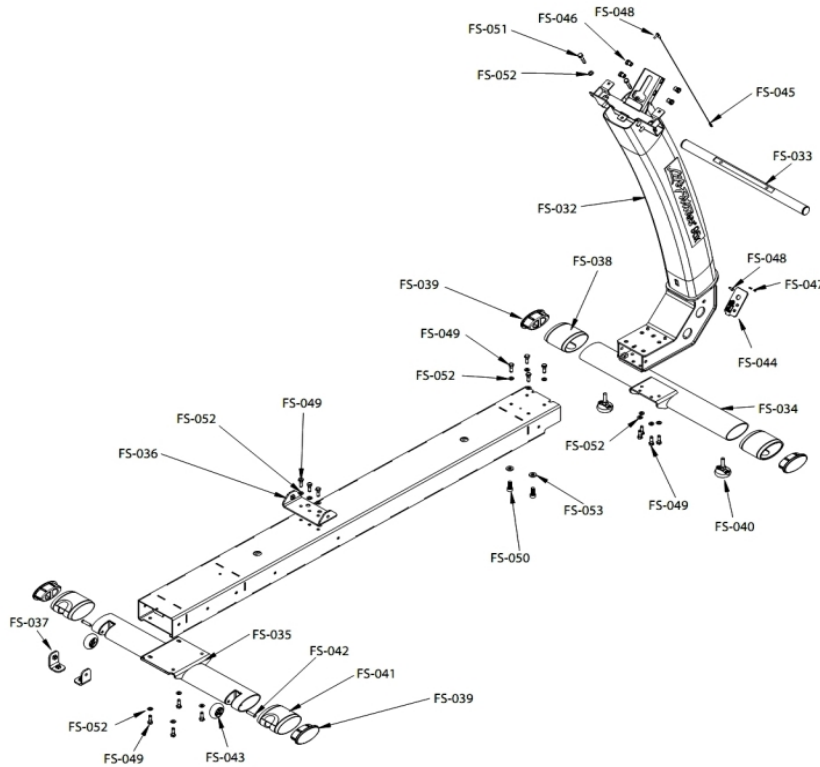
| Ref #    | Part Number     | Qty | Description                                    |
|----------|-----------------|-----|--|
| MISC-001 | 0017-00003-1091 | 0   | POWER SUPPLY: 24VDC, 5A                        |
| LS-001   | 0K47-01104-0000 | 8   | Hardware: Thrust Washer                        |
| LS-002   | 0K69-01075-0000 | 4   | Shaft  |
| LS-003   | 0K69-01190-0000 | 8   | Hardware: Steel Thrust Washer                  |
| LS-004   | 0K69-01231-0000 | 4   | Hardware: Rear Mounting Bolt                   |
| LS-005   | AK69-00037-0000 | 2   | Pedal Lever Assembly: Left with Bearings; Mfg  |
| LS-006   | AK69-00038-0000 | 2   | Pedal Lever Assembly: Right with Bearings; Mfg |
| LS-007   | 0K69-01100-0000 | 2   | Pedal: Right; Purchased                        |
| LS-008   | 0017-00101-1955 | 4   | Hardware: Hex Bolt 85MM                        |
| LS-009   | 0017-00101-1929 | 16  | Hardware: Pedal Mounting Screws 25MM           |
| LS-010   | 0017-00103-0334 | 4   | Hardware: Nut 10 MM                            |
| LS-011   | 0017-00104-0190 | 4   | Hardware: Flat Washer 0.734" OD                |
| LS-012   | 0017-00104-0510 | 16  | Hardware: Washer 19 MM OD                      |
| LS-013   | 0K69-01099-0000 | 2   | Left Pedal                                     |

## Miscellaneous Part Numbers

---

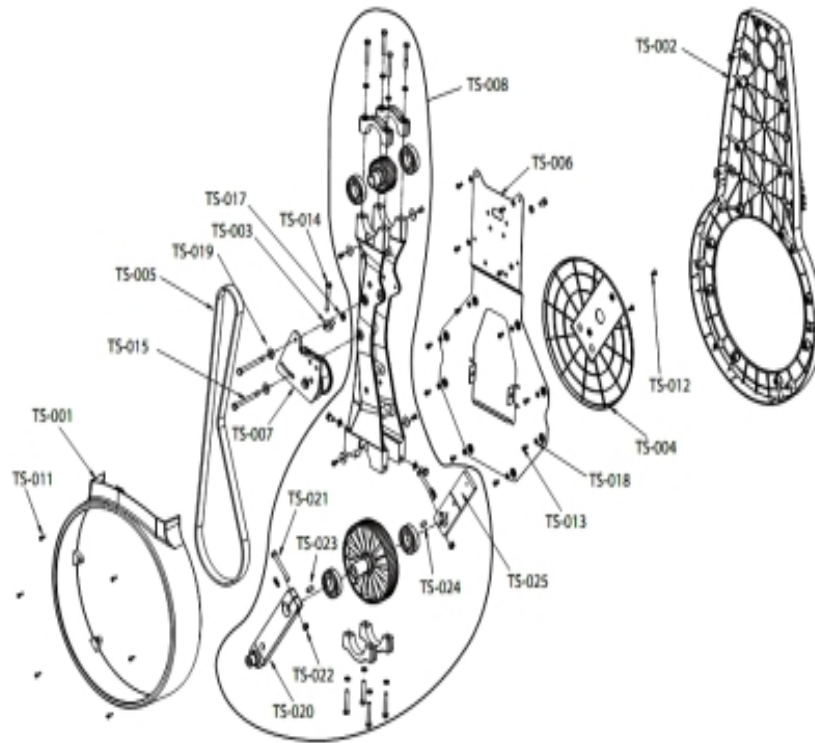
| Ref #    | Part Number     | Qty | Description                               |
|----------|-----------------|-----|---|
| MISC-002 | 0017-00003-0704 | 2   | Line Cord 10A 125 V                       |
| MISC-003 | 0017-00003-0691 | 2   | Line Cord Cont 10A 250 V                  |
| MISC-004 | 0017-00003-0889 | 2   | Line Cord Cont U.K. 10A                   |
| MISC-005 | 0017-00003-0918 | 2   | Line Cord - Australia                     |
| MISC-006 | 0017-00003-1012 | 2   | Line Cord China 10A 250 V                 |
| MISC-007 | 0017-00008-0210 | 2   | Paint: Shadow-Gray Touch Up: .6 OZ Bottle |
| MISC-008 | 0017-00008-0211 | 2   | Paint: Shadow-Gray Touch Up: .6 OZ Bottle |
| MISC-009 | 0K69-01255-2400 | 2   | POWER BRICK CLIP; CHGR                    |

## Mono-Column and Stabilizer Assemblies



| Ref #  | Part Number     | Qty | Description  |
|--------|-----------------|-----|--|
| FS-033 | 0K69-01062-0000 | 2   | Dead Shaft   |
| FS-034 | AK69-00118-0000 | 2   | Front Stabilizer                                   |
| FS-035 | AK69-00090-0000 | 2   | Rear Stabilizer                                    |
| FS-036 | AK69-00170-0000 | 2   | Rocking Link Bracket with Weldnuts                 |
| FS-037 | AK69-00169-0000 | 4   | Weldment: Frame Stiffner                           |
| FS-038 | 0K69-01139-0000 | 2   | Shorud Stabilizer Front                            |
| FS-039 | 0K66-01042-0000 | 2   | End Cap (Front and Rear)                           |
| FS-040 | 0K68-01047-0000 | 4   | Leg Leveler  |
| FS-041 | 0K66-01041-0000 | 2   | Shorud Stabilizer Front                            |
| FS-042 | 0K66-01040-0000 | 2   | Wheel Shaft  |
| FS-043 | 0K66-01039-0000 | 2   | Wheel  |
| FS-044 | AK66-00161-0000 | 2   | BRKT ASSY: POWER/COAX INPUT                        |
| FS-045 | AK65-00103-0002 | 2   | CBL ASSY: GROUND, ESD                              |
| FS-047 | 0017-00101-2106 | 4   | SCR: M2.5 X 1.06 X 10MM PHL PAN PLT ST ZS          |
| FS-048 | 0017-00101-1986 | 4   | Hardware: Mounting Screw 16MM                      |
| FS-049 | 0017-00101-1931 | 8   | Hardware: Front Stabilizer Mtg Bolts 25MM          |
| FS-050 | 0017-00101-1966 | 4   | Hardware: M10 X1.50-6G6GX 25 DIN HEX SOC CAP ST ZN |
| FS-051 | 0017-00101-1925 | 4   | Hardware: Mounting Bolt 40MM                       |
| FS-052 | 0017-00104-0469 | 12  | Hardware: Flat Washer 16MM OD                      |
| FS-053 | 0017-00104-0263 | 4   | Hardware: Washer 0.875" OD                         |

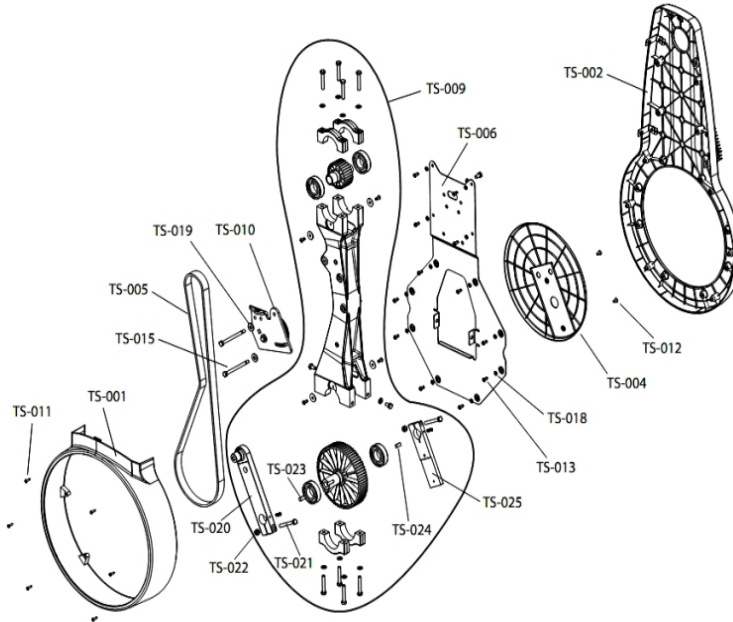
# Timing System - Left Rocker Assembly Component



| Ref #  | Part Number     | Qty | Description                                       |
|--------|-----------------|-----|---|
| TS-001 | 0K69-01109-0000 | 2   | Lower Rocker Cover Mounting Screws                |
| TS-002 | AK69-00123-0000 | 2   | Inner Rocker Shroud Assembly                      |
| TS-003 | 0K69-01174-0000 | 2   | Tension Pivot Bracket                             |
| TS-004 | 0K69-01232-0201 | 2   | Cover: Crank; Inner; Plastic -02XX Shadow         |
| TS-005 | 0K69-01041-0002 | 4   | Timing Belt 25mm                                  |
| TS-007 | AK69-00029-0000 | 2   | Left Idler Bracket Assembly                       |
| TS-008 | GK69-00002-0004 | 2   | Kit: Left Rocker Casting w/ Pulleys               |
| TS-011 | 0017-00101-1796 | 12  | Hardware: Mounting Screw 19 MM                    |
| TS-012 | 0017-00101-1988 | 4   | Hardware: Outside Crank Cover Mounting Screw 14MM |
| TS-013 | 0017-00101-2014 | 24  | SCREW: M6 X 1-6G6H X 14, DIN, HEX, BUT, L, ST, ZB |
| TS-014 | 0017-00101-2002 | 2   | Hardware: Tension Bolt 60MM                       |
| TS-015 | 0017-00101-1951 | 4   | Hardware: Idler Bracket Mounting Screws 100MM     |
| TS-017 | 0017-00103-0338 | 2   | Hardware: Hex Nut 8 MM                            |
| TS-018 | 0017-00104-0488 | 24  | Hardware: Flat Washers 11.5 MM OD                 |
| TS-019 | 0017-00104-0334 | 4   | Hardware: Flat Washers 0.880" OD                  |
| TS-020 | 0K69-01227-0000 | 2   | Crank Arm   |
| TS-021 | 0017-00101-1905 | 4   | Hardware: Bolt 70 MM                              |
| TS-022 | 0017-00103-0333 | 4   | Hardware: Hex Nut                                 |
| TS-023 | 0K69-01023-0000 | 2   | Hex Key: 8 X 7 X 20                               |
| TS-024 | 0K69-01024-0000 | 2   | Hex Key: 8 X 7 X 16                               |

| <b>Ref #</b> | <b>Part Number</b> | <b>Qty</b> | <b>Description</b> |
|--------------|--------------------|------------|--------------------|
| TS-025       | 0K69-01038-0000    | 2          | Inner Crank Arm    |

# Timing System - Right Rocker Assembly Component



| Ref #  | Part Number     | Qty | Description                                       |
|--------|-----------------|-----|---|
| TS-001 | 0K69-01109-0000 | 2   | Lower Rocker Cover Mounting Screws                |
| TS-002 | AK69-00123-0000 | 2   | Inner Rocker Shroud Assembly                      |
| TS-004 | 0K69-01232-0201 | 2   | Cover: Crank; Inner; Plastic -02XX Shadow         |
| TS-005 | 0K69-01041-0002 | 4   | Timing Belt 25mm                                  |
| TS-009 | GK69-00002-0003 | 2   | Kit: Right Rocker Casting w/ Pulleys              |
| TS-010 | AK69-00029-0001 | 2   | Right Idler Bracket Assembly                      |
| TS-011 | 0017-00101-1796 | 12  | Hardware: Mounting Screw 19 MM                    |
| TS-012 | 0017-00101-1988 | 4   | Hardware: Outside Crank Cover Mounting Screw 14MM |
| TS-013 | 0017-00101-2014 | 24  | SCREW: M6 X 1-6G6H X 14, DIN, HEX, BUT, L, ST, ZB |
| TS-015 | 0017-00101-1951 | 4   | Hardware: Idler Bracket Mounting Screws 100MM     |
| TS-018 | 0017-00104-0488 | 24  | Hardware: Flat Washers 11.5 MM OD                 |
| TS-019 | 0017-00104-0334 | 4   | Hardware: Flat Washers 0.880" OD                  |
| TS-020 | 0K69-01227-0000 | 2   | Crank Arm   |
| TS-021 | 0017-00101-1905 | 4   | Hardware: Bolt 70 MM                              |
| TS-022 | 0017-00103-0333 | 4   | Hardware: Hex Nut                                 |
| TS-023 | 0K69-01023-0000 | 2   | Hex Key: 8 X 7 X 20                               |
| TS-024 | 0K69-01024-0000 | 2   | Hex Key: 8 X 7 X 16                               |
| TS-025 | 0K69-01038-0000 | 2   | Inner Crank Arm                                   |

