

95Xe Cross-Trainer w/Integrated LCD screen

95XE-0000-03

Parts Manual

1/5/2019 11:33:28 AM



Table of Contents

Bearing Insert Assembly	3
Cables	4
Complete Console Assembly	5
Console Components	6
Console Support And Deadshaft Covers	7
Crank Arm Pulley Assembly	8
Crank Cover And Lower Caps	9
Drive Module	10
Drive Module Hardware	11
Handlebars And Bullhorns	12
Lower Frame Shrouds And Hardware	13
Pedal Lever Assembly Components	14
PCB, Battery, Reed Switch And Bracket	16
References	17
Rocker Arms And Pedal Levers	18
Upper Frame Hardware	19

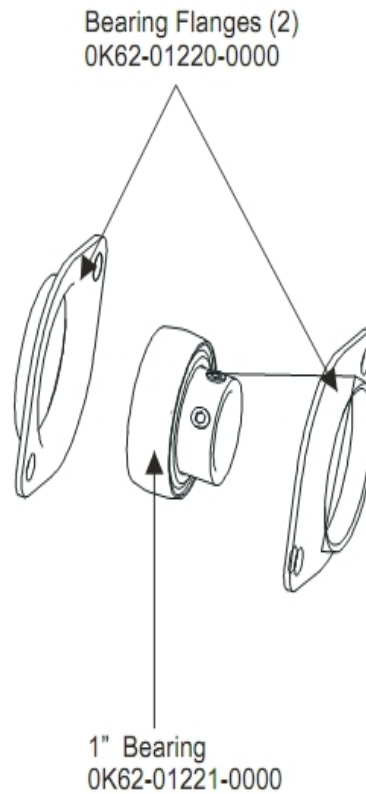
Bearing Insert Assembly

Service Kit-
MGK62-00002-0044
Includes:

- 1 - crankshaft
- 2 - bearings
- 2 - sets of bearing flanges
- 4 - weldnuts and flat washers
- 4 - bolts

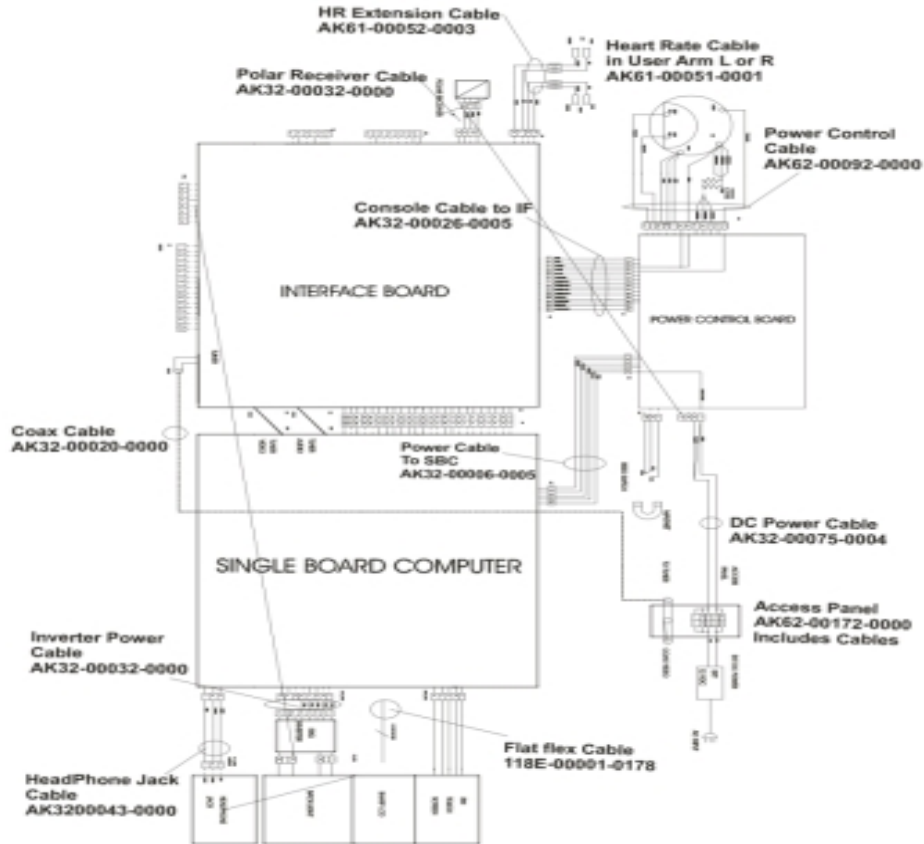
Service Kit- GK62-00002-0045
Includes:

- 1 - intermediate shaft
- 2 - bearings
- 2 - sets of bearing flanges
- 4 - weldnuts and flat washers
- 4 - bolts



Ref #	Part Number	Qty	Description
-	GK62-00002-0044	1	Crankshaft Bearing Kit
-	0K62-01221-0000	1	1" Bearing
-	GK62-00002-0045	1	Intermediate Shaft Bearing Kit
-	0K62-01220-0000	2	Bearing Flange

Cables

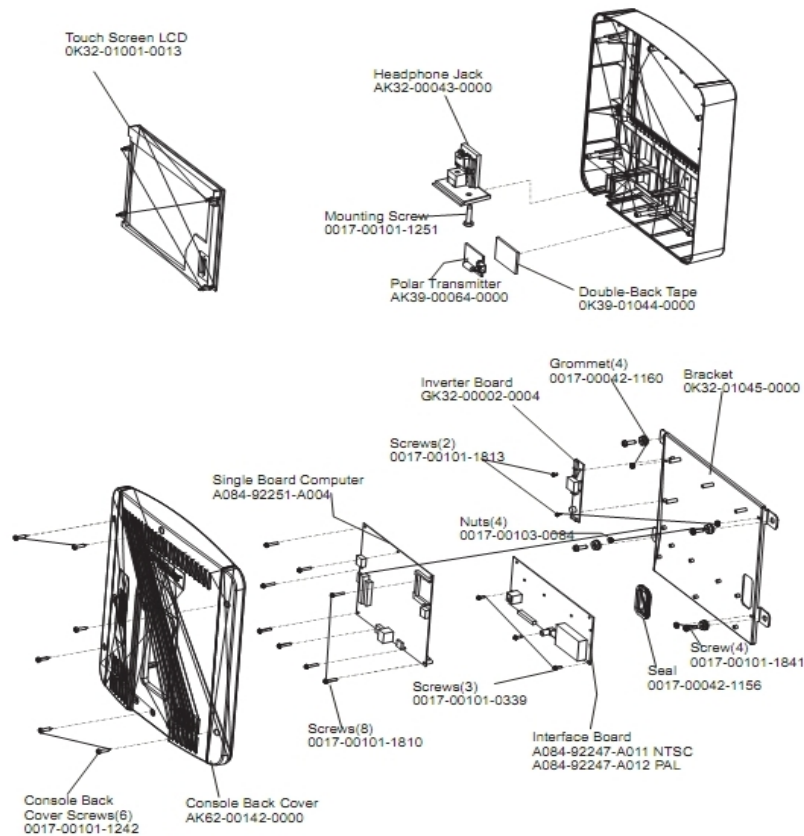


Ref #	Part Number	Qty	Description
-	AK32-00032-0000	2	Inverter Cable
-	AK62-00172-0000	1	Access Panel
-	AK61-00052-0003	1	Heart Rate Extension Cable
-	AK32-00075-0004	1	DC Power Cable
-	118E-00001-0178	1	Flat Flex Cable
-	AK32-00020-0000	1	68" COAX CABLE
-	AK32-00043-0000	1	Headphone Jack
-	AK61-00051-0001	1	Lifepulse: User-Arm
-	AK62-00092-0000	1	Power Control Cable
-	AK32-00006-0005	1	Power Cable to SBC
-	AK32-00026-0005	1	Console Cable to Interface

Complete Console Assembly

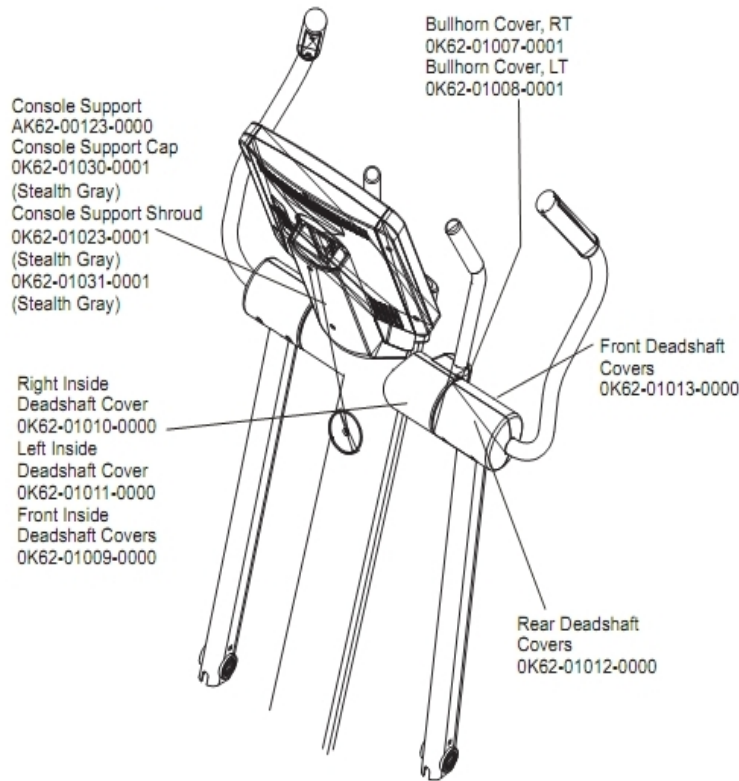
Ref #	Part Number	Qty	Description
-	GK62-00002-0047	1	Service Kit LCD Console NTSC ENG
-	GK62-00002-0054	1	Kit: Serv; Mfg; Console; 95Xe; PAL; English BM

Console Components



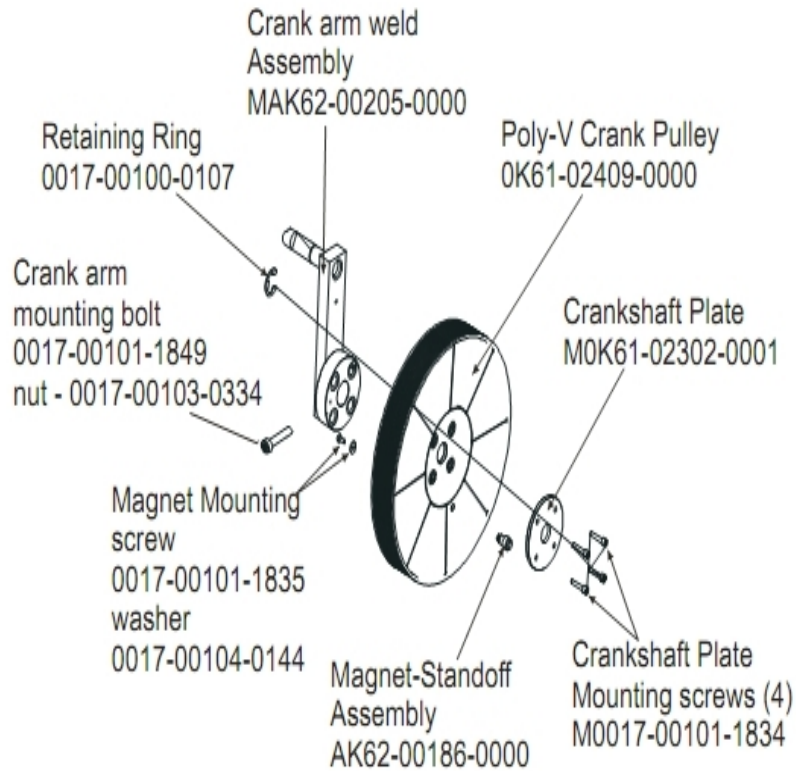
Ref #	Part Number	Qty	Description
-	0K32-01001-0013	1	LCD Touchscreen Assembly
-	0K32-01001-0013	1	LCD Touchscreen Assembly
-	0K32-01001-0013	1	LCD Touchscreen Assembly
-	0K32-01001-0013	1	LCD Touchscreen Assembly
-	A084-92251-A004	1	Single Board Computer
-	0K39-01044-0000	1	Tape
-	GK32-00002-0004	1	Inverter Board
-	0017-00101-1813	2	Hardware: Inverter Board Screw
-	0017-00103-0084	4	Hardware: Nut
-	0017-00101-1810	8	Hardware: Screw
-	118E-00001-0259	1	Wireless Receiver Module, Non-Coded
-	A084-92247-A011	1	Interface Boards NTSC
-	0017-00101-0339	3	Hardware: Screws
-	AK62-00142-0000	1	Console Case with Decal
-	0K32-01045-0000	1	Console Bracket
-	0017-00101-1841	4	Hardware: Screw
-	0017-00042-1156	1	Edge Trim
-	AK32-00043-0000	1	Headphone Jack
-	0017-00101-1251	1	Hardware: Console Case Screws
-	0017-00101-1242	6	Hardware: Phillips Pan Screw 0.75"
-	0017-00042-1160	4	Grommet

Console Support And Deadshaft Covers



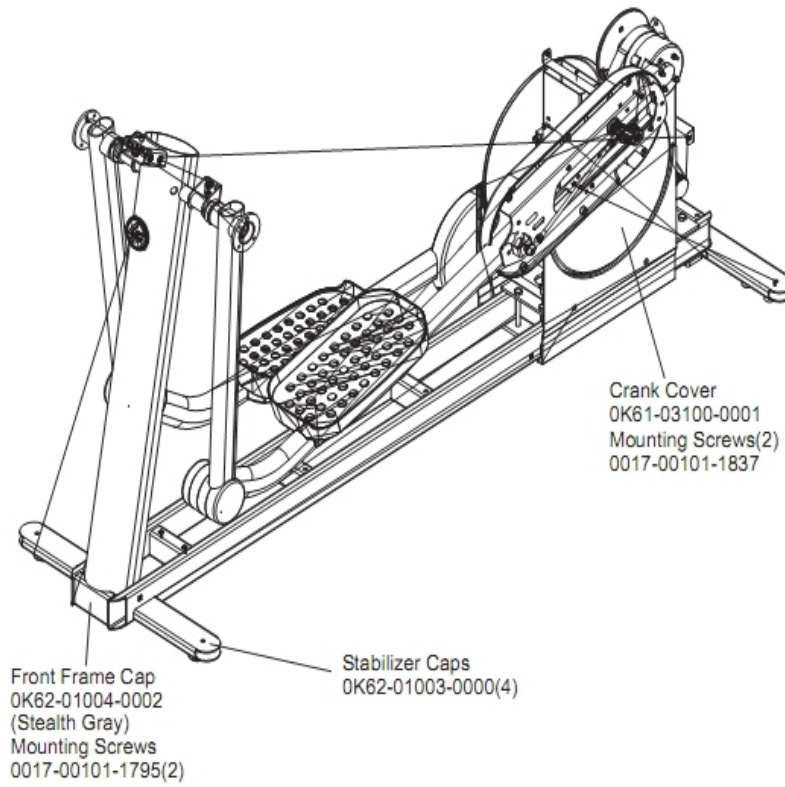
Ref #	Part Number	Qty	Description
-	OK62-01023-0001	1	Console Support Shroud
-	OK62-01031-0001	1	Cap
-	OK62-01011-0000	1	Left Inside Deadshaft Cover
-	OK62-01008-0001	1	Bullhorn Cover Left
-	OK62-01007-0001	1	Bullhorn Cover Right
-	OK62-01012-0000	1	Front Outside Deadshaft Cover
-	OK62-01009-0000	1	Front Inside Deadshaft Cover
-	OK62-01010-0000	1	Right Inside Deadshaft Cover
-	AK62-00123-0000	1	Console Support
-	OK62-01030-0001	1	Console Support Cap
-	OK62-01013-0000	1	Rear Outside Deadshaft Cover

Crank Arm Pulley Assembly



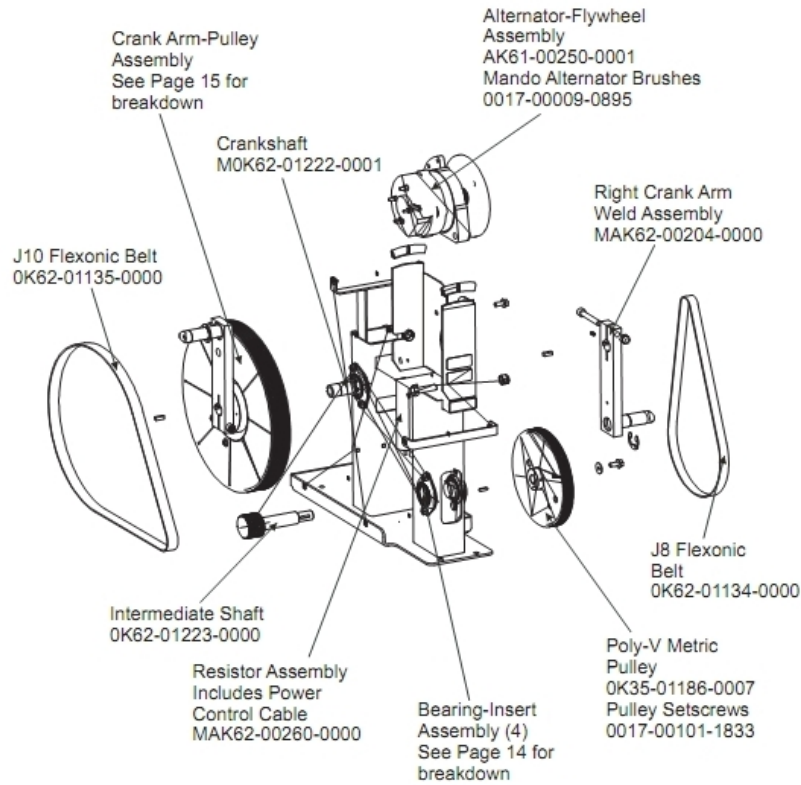
Ref #	Part Number	Qty	Description
-	0017-00100-0107	1	Hardware: E-Ring 1"
-	0K61-02409-0000	1	Poly-V Crank Pulley
-	AK62-00205-0000	1	Crankarm
-	0K61-02302-0001	1	Crankshaft Plate
-	0017-00101-1834	4	Hardware: Screw 24MM
-	0017-00103-0334	1	Hardware: Nut 10 MM
-	0017-00101-1835	1	Hardware: Screw 10MM
-	AK62-00186-0000	1	Magnet-Standoff Assembly
-	0017-00101-1849	1	Hardware: Crank arm mounting bolt
-	0017-00104-0144	1	Hardware: Washer 0.625" OD

Crank Cover And Lower Caps



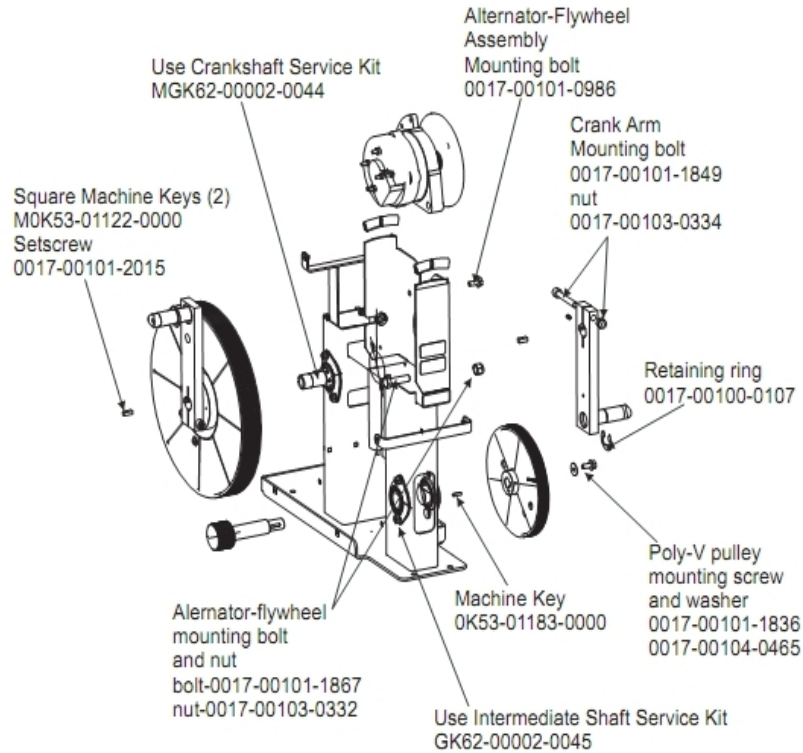
Ref #	Part Number	Qty	Description
-	0017-00101-1837	2	Hardware: Screw 18MM
-	OK62-01004-0002	1	Front frame Cap
-	0017-00101-1795	2	Hardware: Mounting Screw
-	OK61-03100-0002	1	Crank Cover
-	OK68-01130-0300	4	CAP; STABILIZER; STEALTH GREY

Drive Module



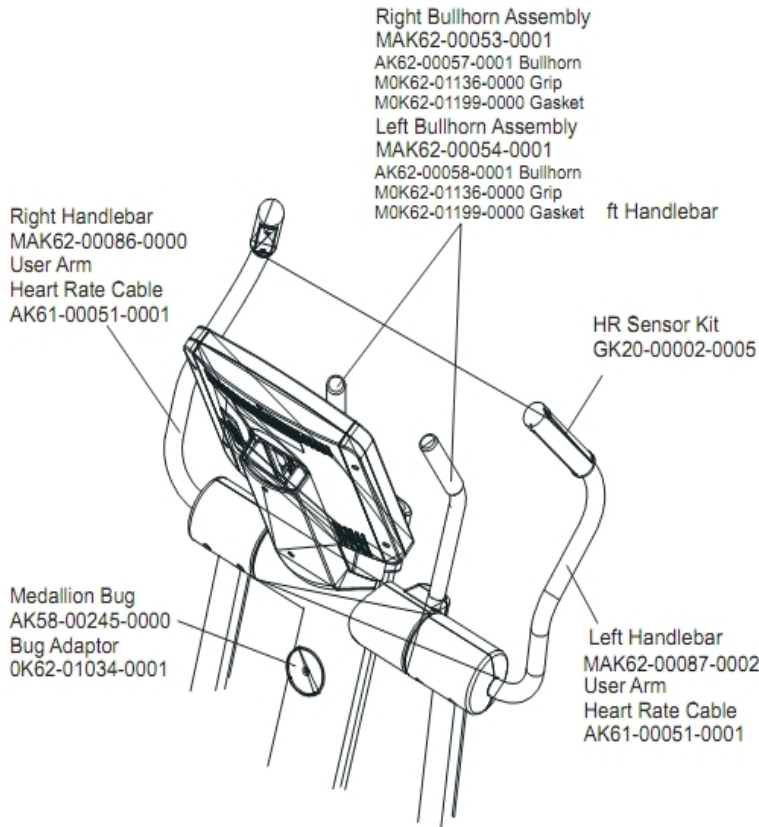
Ref #	Part Number	Qty	Description
-	0K62-01134-0000	1	Flexonic Belt
-	0K62-01223-0000	1	Intermediate Shaft
-	0K62-01222-0001	1	Crankshaft
-	0017-00009-0895	1	Alternator Brush Kit
-	AK62-00204-0000	1	Right Crankarm
-	0K35-01186-0007	1	Poly-V Pulley
-	0017-00101-1833	1	Hardware: Set screw
-	0K62-01135-0000	1	Drive Belt
-	AK62-00260-0000	1	Resistor Assembly
-	AK61-00250-0001	1	Alternator w/Flywheel

Drive Module Hardware



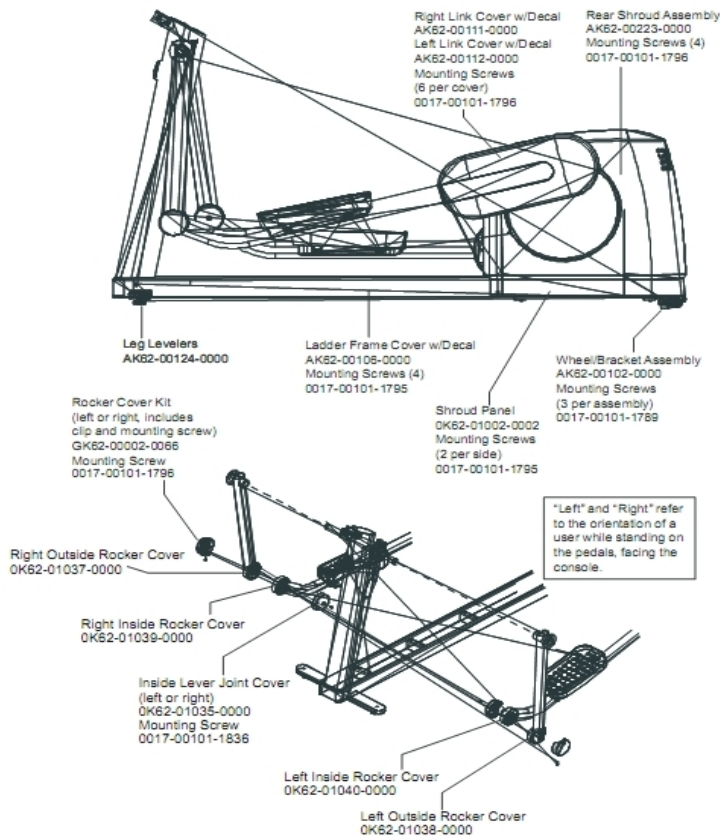
Ref #	Part Number	Qty	Description
-	GK62-00002-0045	1	Intermediate Shaft Bearing Kit
-	0017-00104-0465	1	Hardware: Flat Washer 23MM OD
-	OK53-01183-0000	1	Hex key
-	0017-00100-0107	1	Hardware: E-Ring 1"
-	0017-00101-1849	1	Hardware: Crank arm mounting bolt
-	GK62-00002-0044	1	Crankshaft Bearing Kit
-	0017-00101-0986	1	Hardware: Bolt 0.75"
-	0017-00101-2015	1	Hardware: Pulley Set Screw 15 MM
-	0017-00101-1836	1	Hardware: Screw 10 MM
-	OK53-01122-0000	2	Square Key
-	0017-00101-1867	1	Hardware: Mounting Bolt 45 MM
-	0017-00103-0332	1	Hardware: Mounting Nut
-	0017-00103-0334	1	Hardware: Nut 10 MM

Handlebars And Bullhorns



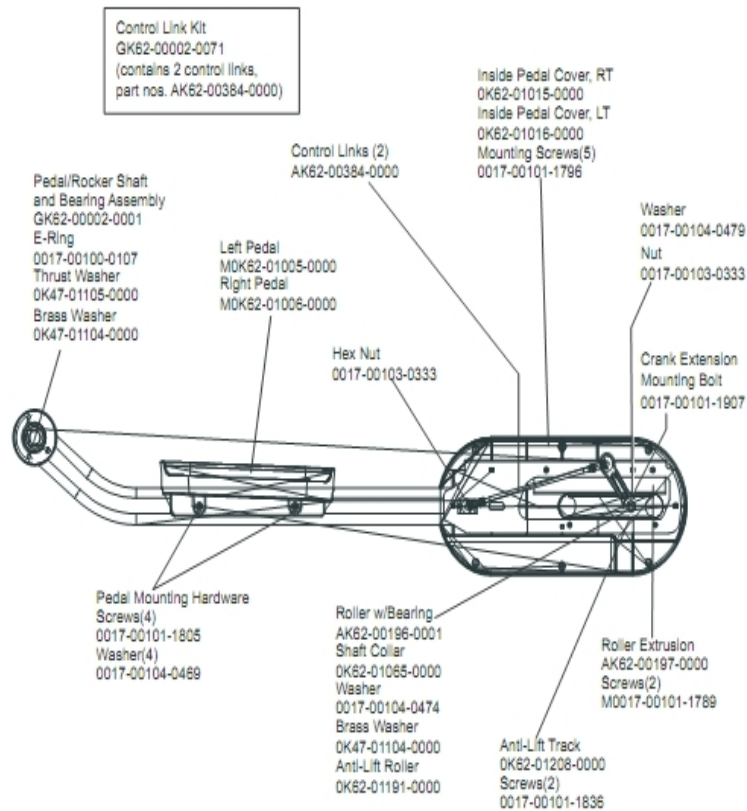
Ref #	Part Number	Qty	Description
-	0K62-01199-0000	2	Bullhorn Gasket
-	0K62-01034-0001	1	Bug Adaptor
-	AK58-00245-0000	1	Bug Medallion
-	GK20-00002-0005	1	Heart Rate Electrode Kit
-	AK62-00057-0001	1	Right Bullhorn
-	AK62-00054-0001	1	Left Bullhorn
-	0K62-01136-0000	2	Grip
-	AK62-00053-0001	1	Right Bullhorn
-	AK62-00058-0001	1	Left Bullhorn
-	AK62-00086-0000	1	Handlebar: Right
-	AK61-00051-0001	2	Lifepulse: User-Arm
-	AK62-00087-0000	1	Handlebar: Left

Lower Frame Shrouds And Hardware



Ref #	Part Number	Qty	Description
-	AK62-00111-0000	1	Link Cover with Decal: Right
-	AK62-00124-0000	1	Leg Leveler
-	OK62-01038-0000	1	Left Inside Rocker Cover
-	OK62-01037-0000	1	
-	AK62-00112-0000	1	Link Cover with Decal: Left
-	GK62-00002-0066	1	Rocker Cover Kit
-	0017-00101-1796	8	Hardware: Mounting Screw
-	0017-00101-1836	1	Hardware: Screw 10 MM
-	AK62-00102-0000	1	Wheel/Bracket Assembly
-	AK62-00223-0000	1	Rear Shroud Assembly
-	OK62-01002-0003	1	Shroud Panel
-	0017-00101-1789	3	Hardware: Mounting Screws
-	OK62-01039-0000	1	Right Inside Lever Joint Cover
-	0017-00101-1796	11	Hardware: Mounting Screw 19 MM
-	OK62-01040-0000	1	Left Inside Lever Joint Cover
-	AK62-00106-0001	1	Ladder Frame Cover with Decal
-	OK62-01035-0000	1	Inside Lever Joint Cover

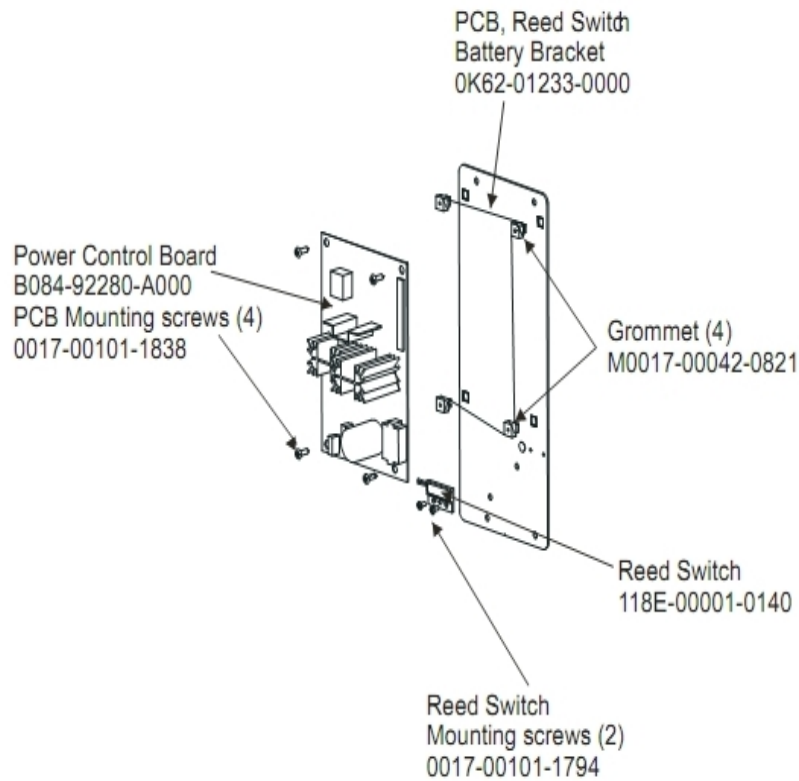
Pedal Lever Assembly Components



Ref #	Part Number	Qty	Description
-	OK62-01015-0000	1	Inside Pedal Cover Right
-	OK62-01065-0000	1	Shaft Collar
-	OK47-01104-0000	2	Hardware: Thrust Washer
-	0017-00100-0107	1	Hardware: E-Ring 1"
-	AK62-00196-0001	1	Roller with Bearing
-	AK62-00197-0000	1	Roller Extrusion
-	GK62-0002-0071	3	Control Link Kit
-	GK62-0002-0001	1	Pedal/Rocker Shaft and Bearings
-	0017-00101-1789	2	Hardware: Mounting Screws
-	OK62-01005-0000	1	Left Pedal
-	OK62-01006-0000	1	Right Pedal
-	OK62-01016-0000	1	Inside Pedal Cover Left
-	OK62-01208-0000	1	Anti-Lift Track
-	0017-00101-1796	5	Hardware: Mounting Screw 19 MM
-	0017-00104-0474	1	Hardware: Washer
-	OK47-01105-0000	1	Hardware: Hardened Thrust Washer
-	0017-00104-0479	1	Hardware: Flat Washer 25.4MM OD
-	0017-00101-1836	2	Hardware: Screw 10 MM
-	0017-00104-0469	4	Hardware: Flat Washer 16MM OD
-	0017-00101-1907	1	Hardware: Crank Extension Mounting Bolt
-	OK62-01191-0000	1	Anti-Lift Roller
-	0017-00103-0333	2	Hardware: Hex Nut

Ref #	Part Number	Qty	Description
-	0017-00101-1805	4	Hardware: TORX Screw 25 MM

PCB, Battery, Reed Switch And Bracket

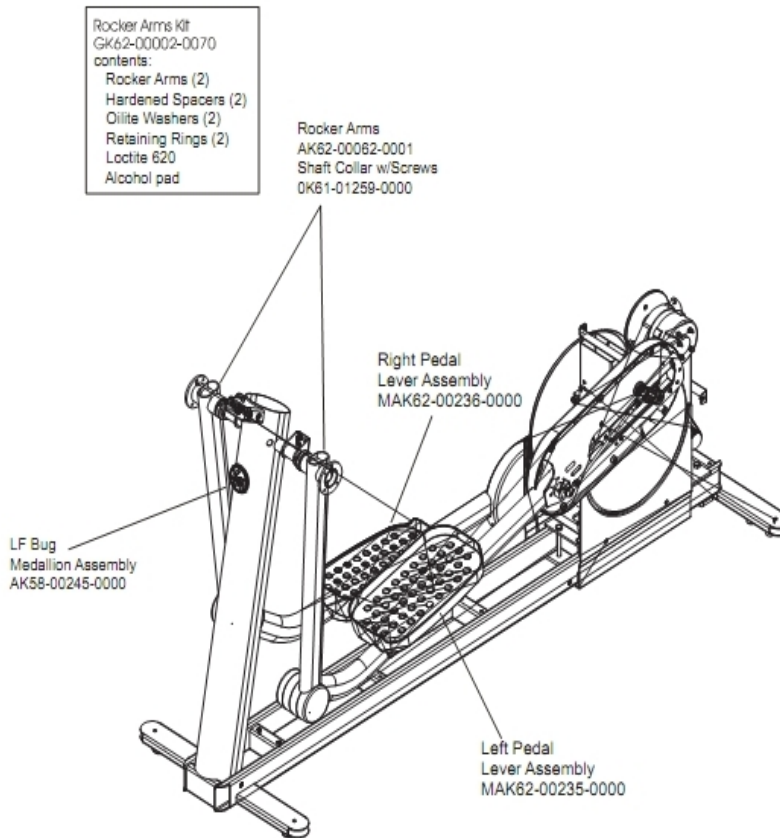


Ref #	Part Number	Qty	Description
-	B084-92280-A000	1	Power Control Board
-	0017-00042-0821	4	Hardware: Plastic Grommet
-	118E-00001-0140	1	Reed Switch SPDT
-	0017-00101-1794	2	Hardware: Screw 10MM
-	0017-00101-1838	4	Hardware: Mounting Screw 19 MM
-	0K62-01233-0000	1	PCB Reed Switch Battery Bracket

References

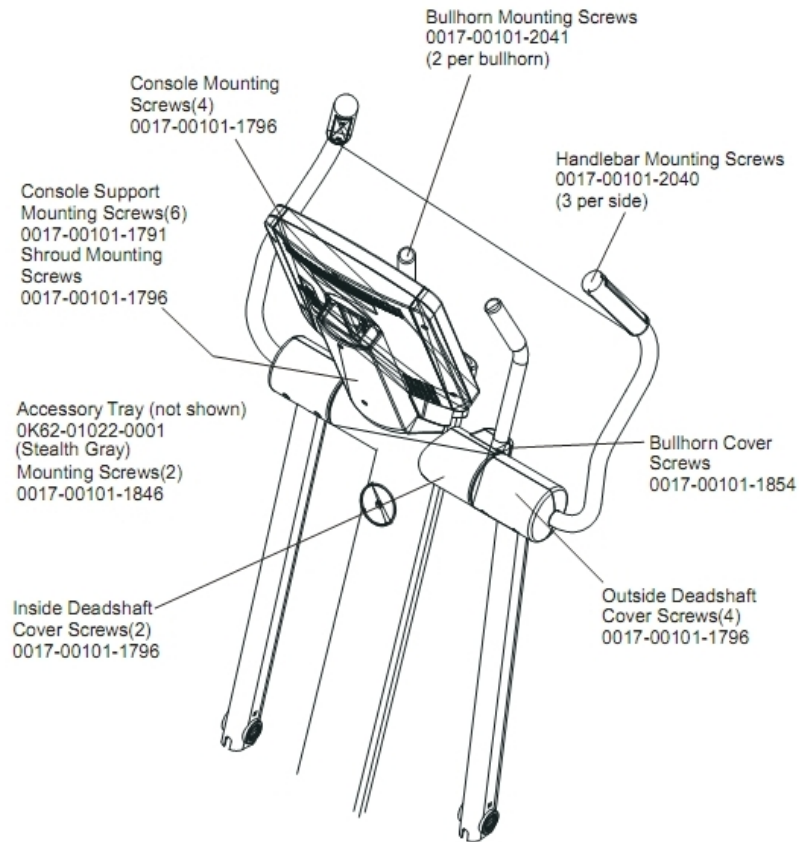
Ref #	Part Number	Qty	Description
-	AK32-00020-0000	1	68" COAX CABLE
-	118E-00001-0161	1	Power Supply 12V 4.5A Without Line Cord
-	0017-00008-0206	1	.33oz Pen - Arctic Silver
-	0017-00008-0204	1	Paint Spray Can - Arctic Silver
-	0017-00003-0704	1	Line Cord 10A 125 V
-	AK32-00075-0004	1	DC Power Cable
-	0017-00008-0205	1	5 oz Bottle - Arctic Silver
-	AK62-00152-0001	1	Hardware Bag
-	AK62-00172-0000	1	Access Panel

Rocker Arms And Pedal Levers



Ref #	Part Number	Qty	Description
-	AK62-00236-0000	1	Right Pedal Lever Assembly
-	OK61-01259-0000	1	Shaft Split Collar
-	AK62-00235-0000	1	Left Pedal Lever Assembly
-	GK62-00002-0070	2	Rocker Arm Kit
-	AK58-00245-0000	1	Bug Medallion

Upper Frame Hardware



Ref #	Part Number	Qty	Description
-	0017-00101-2041	2	Hardware: Bullhorn Mounting Screw
-	0017-00101-1854	1	Hardware: Bullhorn Cover Screw 44MM
-	0017-00101-2040	3	Hardware: Handlebar Mounting Screw
-	0017-00101-1796	11	Hardware: Mounting Screw 19 MM
-	0017-00101-1791	6	Hardware: TORX Screw 19 MM
-	0017-00101-1846	2	Hardware: Phillips Pan Screw 10 MM
-	0K62-01022-0001	1	Accessory Tray

