

95Xe Cross-Trainer w/Integrated LCD screen

95XE-0000-04

Parts Manual

1/5/2019 11:33:29 AM



Table of Contents

Bearing Insert Assembly	3
Cables	4
Complete Console Assembly	5
Console Components	6
Console Support And Deadshaft Covers	7
Crank Arm Pulley Assembly	8
Crank Cover And Lower Caps	9
Drive Module	10
Drive Module Hardware	11
Handlebars And Bullhorns	12
Lower Frame Shrouds And Hardware	13
Pedal Lever Assembly Components	14
PCB, Battery, Reed Switch And Bracket	16
References	17
Rocker Arms And Pedal Levers	18
Upper Frame Hardware	19

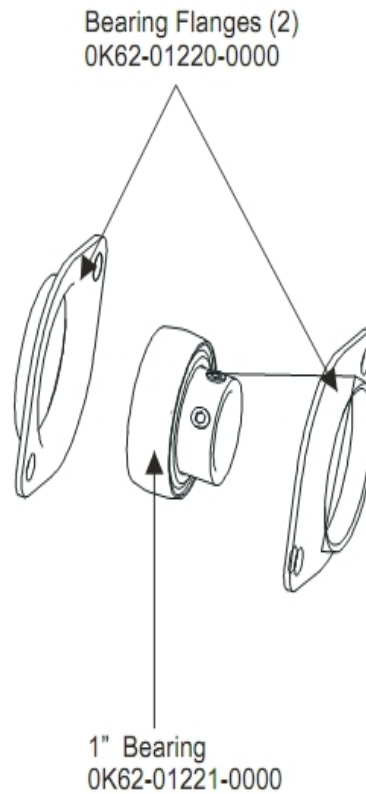
Bearing Insert Assembly

Service Kit-
MGK62-00002-0044
Includes:

- 1 - crankshaft
- 2 - bearings
- 2 - sets of bearing flanges
- 4 - weldnuts and flat washers
- 4 - bolts

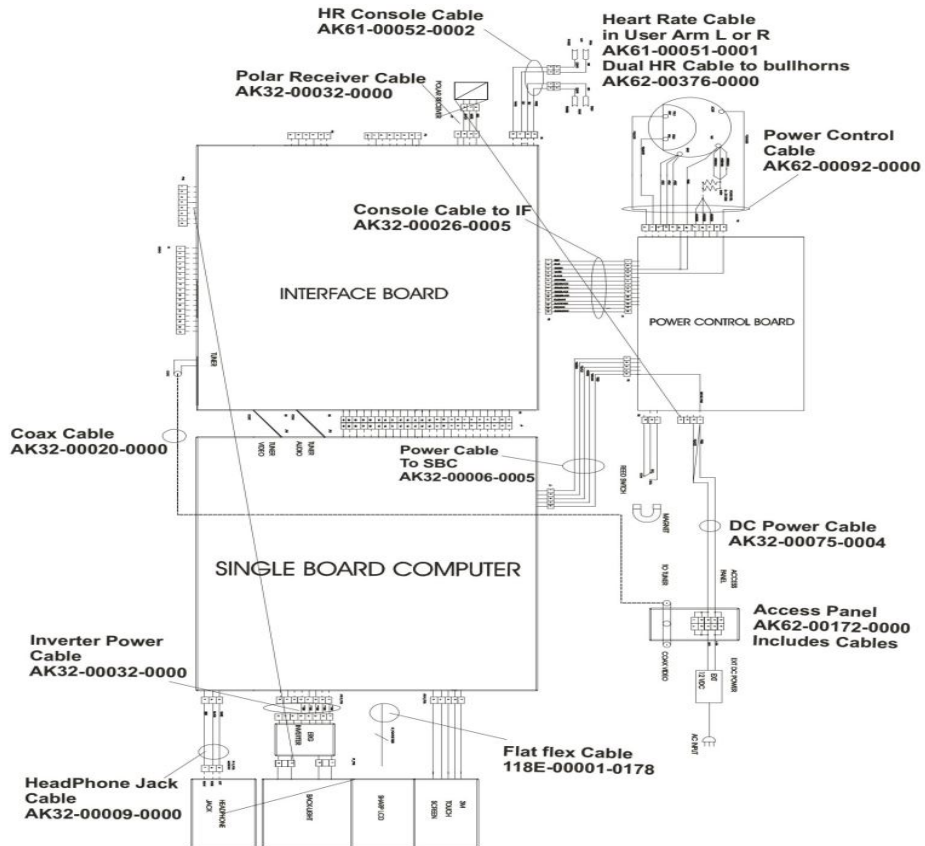
Service Kit- GK62-00002-0045
Includes:

- 1 - intermediate shaft
- 2 - bearings
- 2 - sets of bearing flanges
- 4 - weldnuts and flat washers
- 4 - bolts



Ref #	Part Number	Qty	Description
-	GK62-00002-0044	1	Crankshaft Bearing Kit
-	0K62-01221-0000	1	1" Bearing
-	GK62-00002-0045	1	Intermediate Shaft Bearing Kit
-	0K62-01220-0000	2	Bearing Flange

Cables

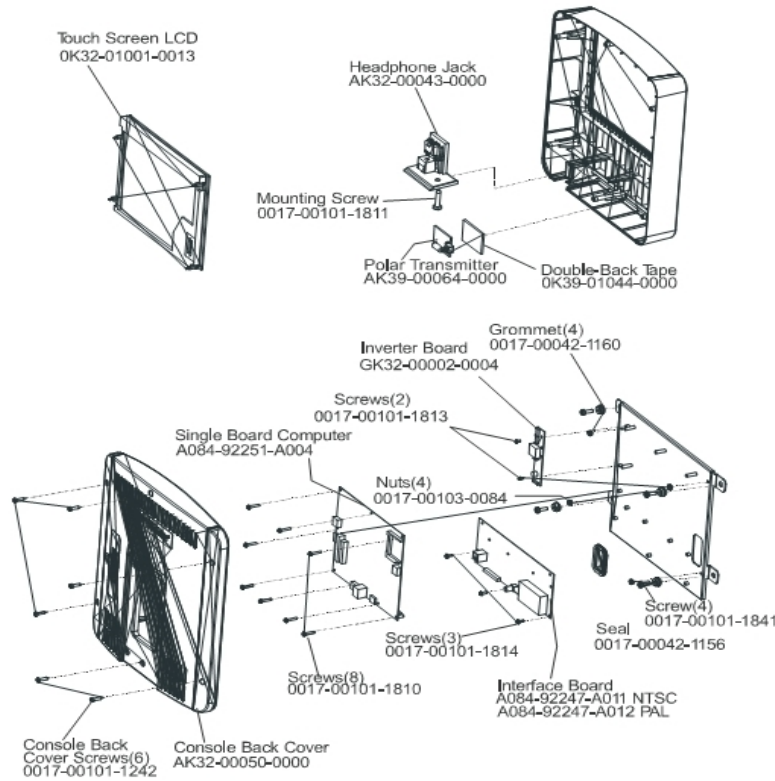


Ref #	Part Number	Qty	Description
-	AK32-00006-0005	1	Power Cable to SBC
-	AK61-00052-0002	1	Lifepulse Sensor Cable
-	AK32-00009-0000	1	Headphone Jack Cable
-	AK32-00020-0000	1	68" COAX CABLE
-	AK62-00172-0000	1	Access Panel
-	AK32-00032-0000	2	Inverter Cable
-	AK61-00051-0001	1	Lifepulse: User-Arm
-	AK62-00092-0000	1	Power Control Cable
-	118E-00001-0178	1	Flat Flex Cable
-	AK32-00075-0004	1	DC Power Cable
-	AK62-00376-0000	1	Dual HR Cable to bullhorns

Complete Console Assembly

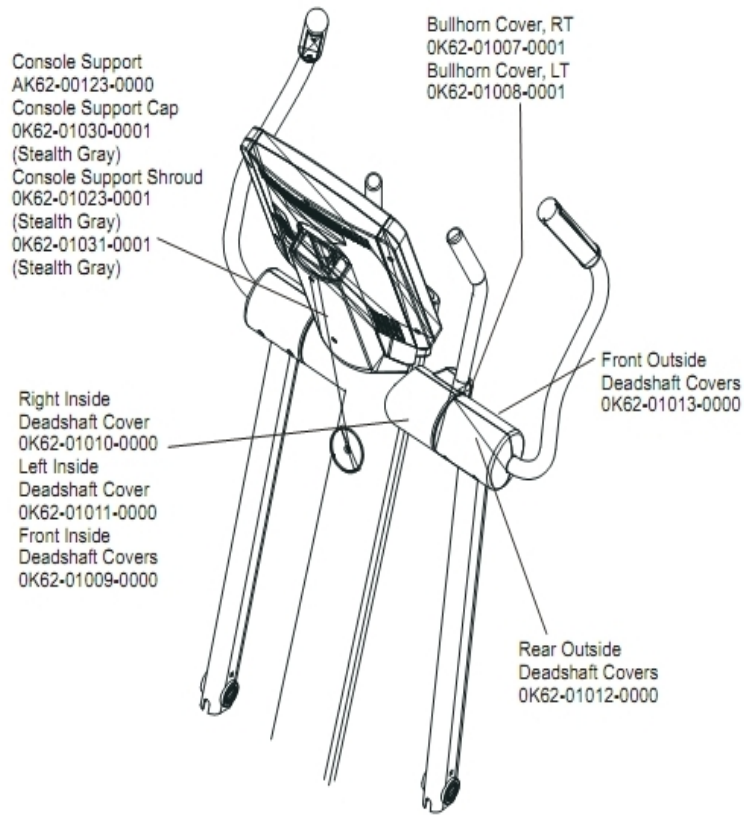
Ref #	Part Number	Qty	Description
-	AK62-00369-0001	1	Console Assembly NTSC English

Console Components



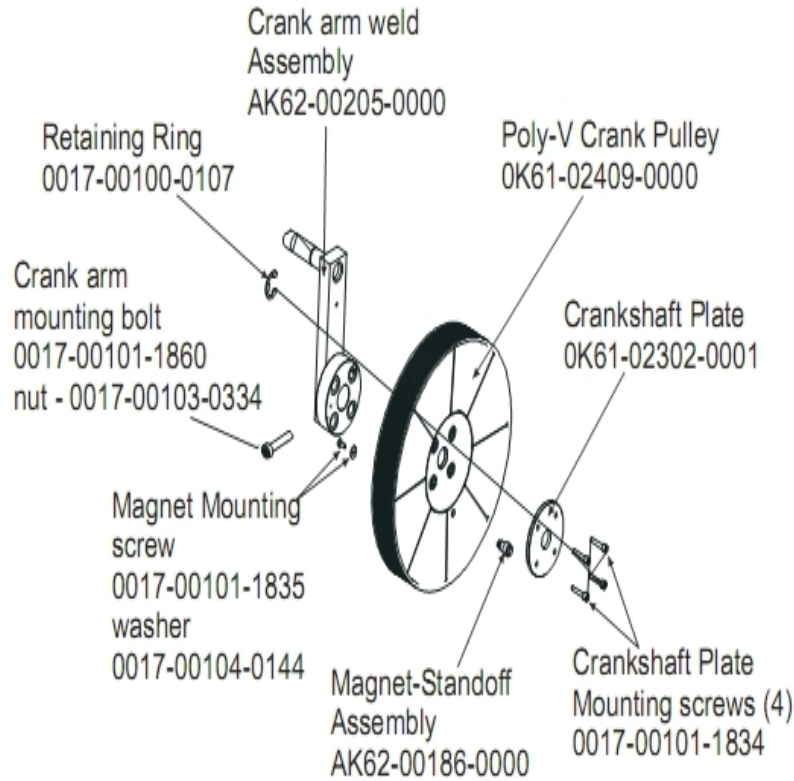
Ref #	Part Number	Qty	Description
-	0017-00101-1841	4	Hardware: Screw
-	0K39-01044-0000	1	Tape
-	0017-00101-1811	2	Hardware: Phillips Pan Screw 0.625"
-	A084-92251-A004	1	Single Board Computer
-	0017-00042-1160	4	Grommet
-	0K32-01001-0013	1	LCD Touchscreen Assembly
-	0017-00101-1814	3	Hardware: Screw
-	GK32-00002-0004	1	Inverter Board
-	A084-92247-A011	1	Interface Boards NTSC
-	0017-00101-1810	10	Hardware: Screw
-	0017-00101-1242	6	Hardware: Phillips Pan Screw 0.75"
-	AK32-00050-0000	1	Console Back Cover
-	AK32-00043-0000	1	Headphone Jack
-	0017-00042-1156	1	Edge Trim
-	0K32-01001-0013	1	LCD Touchscreen Assembly
-	0K32-01001-0013	1	LCD Touchscreen Assembly
-	0K32-01001-0013	1	LCD Touchscreen Assembly
-	0017-00101-1813	2	Hardware: Inverter Board Screw
-	0017-00103-0084	4	Hardware: Nut

Console Support And Deadshaft Covers



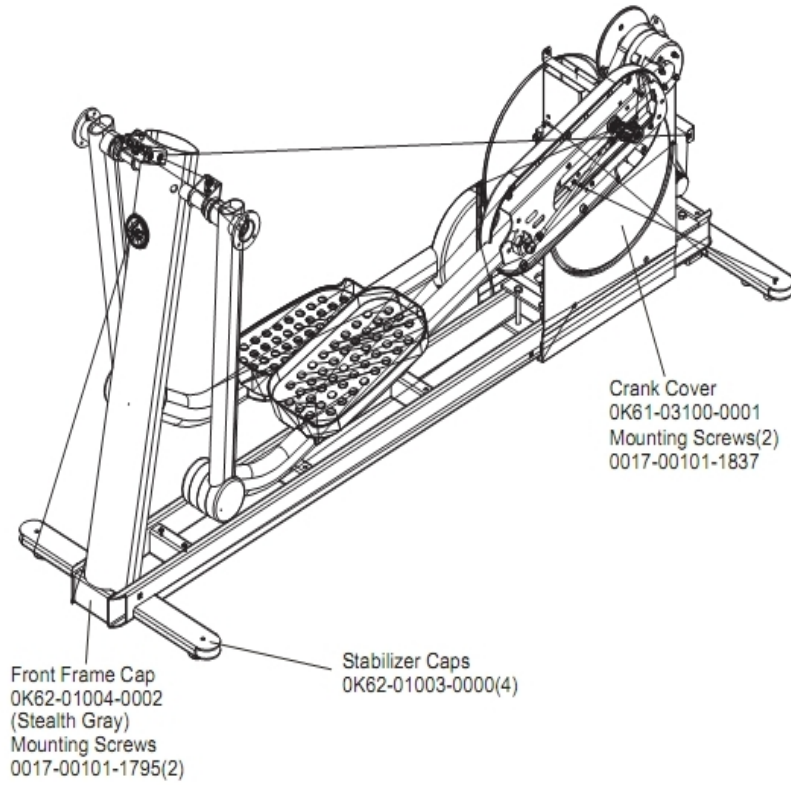
Ref #	Part Number	Qty	Description
-	OK62-01031-0001	1	Cap
-	OK62-01009-0000	1	Front Inside Deadshaft Cover
-	OK62-01010-0000	1	Right Inside Deadshaft Cover
-	OK62-01007-0001	1	Bullhorn Cover Right
-	OK62-01011-0000	1	Left Inside Deadshaft Cover
-	AK62-00123-0000	1	Console Support
-	OK62-01012-0000	1	Front Outside Deadshaft Cover
-	OK62-01008-0001	1	Bullhorn Cover Left
-	OK62-01013-0000	1	Rear Outside Deadshaft Cover
-	OK62-01030-0001	1	Console Support Cap
-	OK62-01023-0001	1	Console Support Shroud

Crank Arm Pulley Assembly



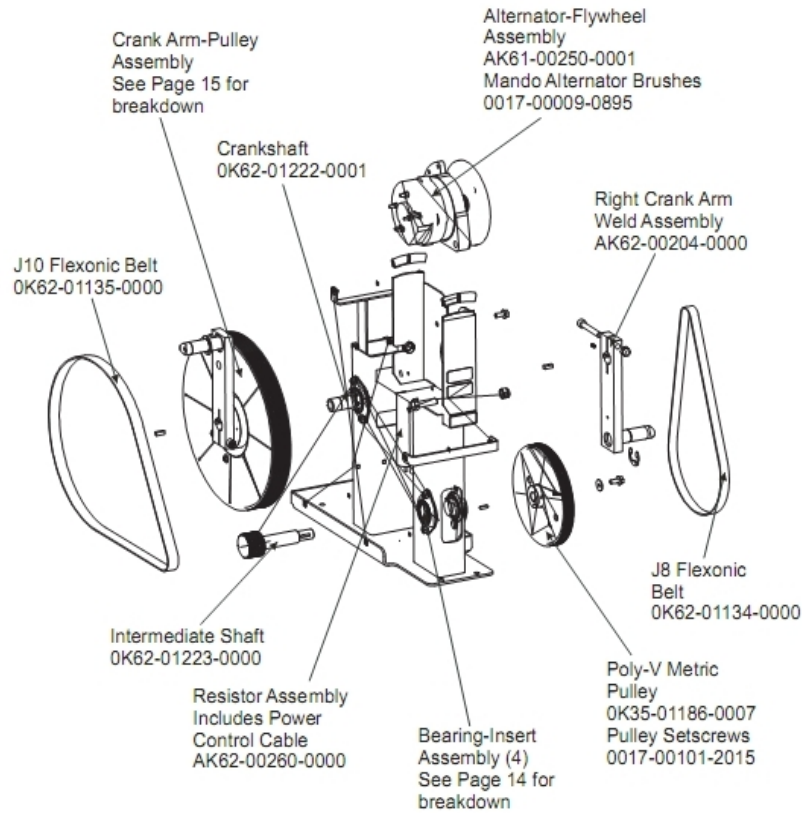
Ref #	Part Number	Qty	Description
-	0017-00104-0144	1	Hardware: Washer 0.625" OD
-	0017-00101-1834	4	Hardware: Screw 24MM
-	0017-00101-1835	1	Hardware: Screw 10MM
-	0017-00101-1860	1	Hardware: Crankarm Bolt 65MM
-	0017-00103-0334	1	Hardware: Nut 10 MM
-	AK62-00205-0000	1	Crankarm
-	AK62-00186-0000	1	Magnet-Standoff Assembly
-	0K61-02302-0001	1	Crankshaft Plate
-	0K61-02409-0000	1	Poly-V Crank Pulley
-	0017-00100-0107	1	Hardware: E-Ring 1"

Crank Cover And Lower Caps



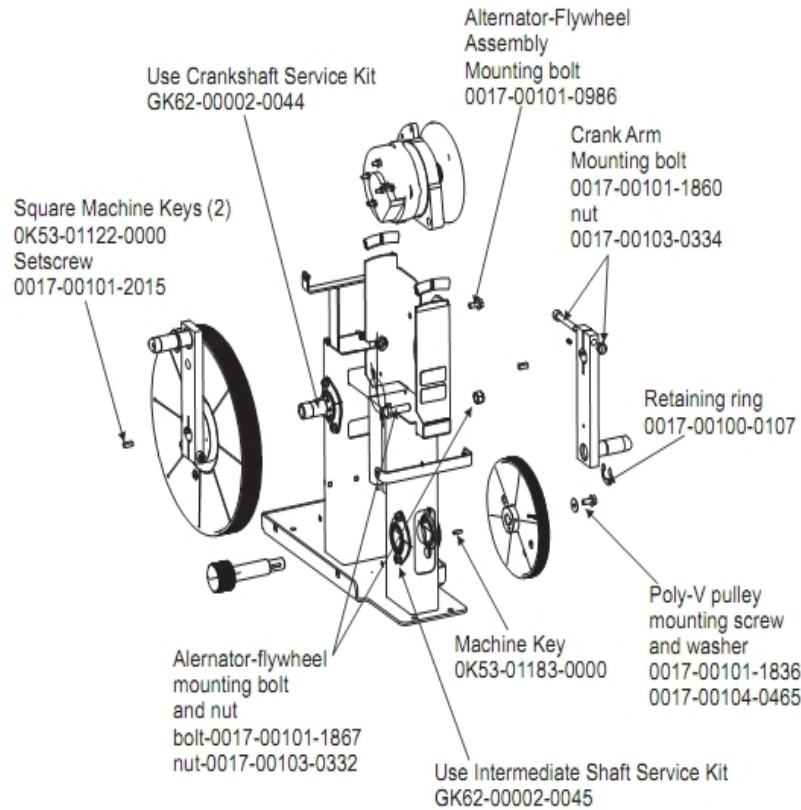
Ref #	Part Number	Qty	Description
-	0017-00101-1795	2	Hardware: Mounting Screw
-	OK61-03100-0002	1	Crank Cover
-	OK68-01130-0300	4	CAP; STABILIZER; STEALTH GREY
-	OK62-01004-0002	1	Front frame Cap
-	0017-00101-1837	2	Hardware: Screw 18MM

Drive Module



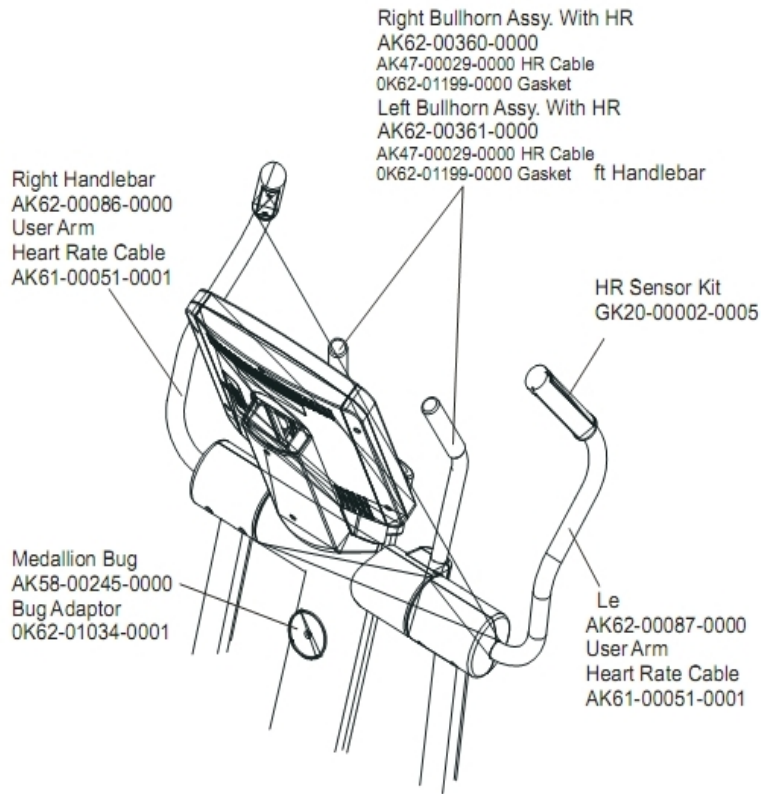
Ref #	Part Number	Qty	Description
-	OK62-01134-0000	1	Flexonic Belt
-	OK62-01135-0000	1	Drive Belt
-	OK62-01222-0001	1	Crankshaft
-	0017-00009-0895	1	Alternator Brush Kit
-	AK62-00204-0000	1	Right Crankarm
-	OK35-01186-0007	1	Poly-V Pulley
-	OK62-01223-0000	1	Intermediate Shaft
-	AK62-00260-0000	1	Resistor Assembly
-	AK61-00250-0001	1	Alternator w/Flywheel
-	0017-00101-2015	1	Hardware: Pulley Set Screw 15 MM

Drive Module Hardware



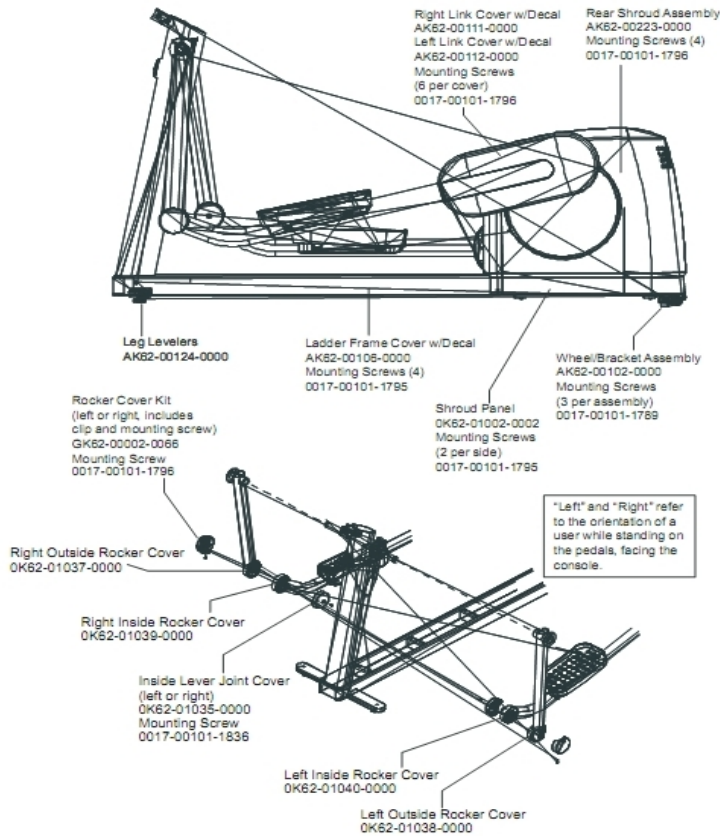
Ref #	Part Number	Qty	Description
-	GK62-00002-0044	1	Crankshaft Bearing Kit
-	0017-00104-0465	1	Hardware: Flat Washer 23MM OD
-	OK53-01122-0000	2	Square Key
-	OK53-01183-0000	1	Hex key
-	0017-00103-0334	1	Hardware: Nut 10 MM
-	0017-00101-2015	1	Hardware: Pulley Set Screw 15 MM
-	0017-00101-0986	1	Hardware: Bolt 0.75"
-	GK62-00002-0045	1	Intermediate Shaft Bearing Kit
-	0017-00101-1867	1	Hardware: Mounting Bolt 45 MM
-	0017-00100-0107	1	Hardware: E-Ring 1"
-	0017-00103-0332	1	Hardware: Mounting Nut
-	0017-00101-1860	1	Hardware: Crankarm Bolt 65MM
-	0017-00101-1836	1	Hardware: Screw 10 MM

Handlebars And Bullhorns



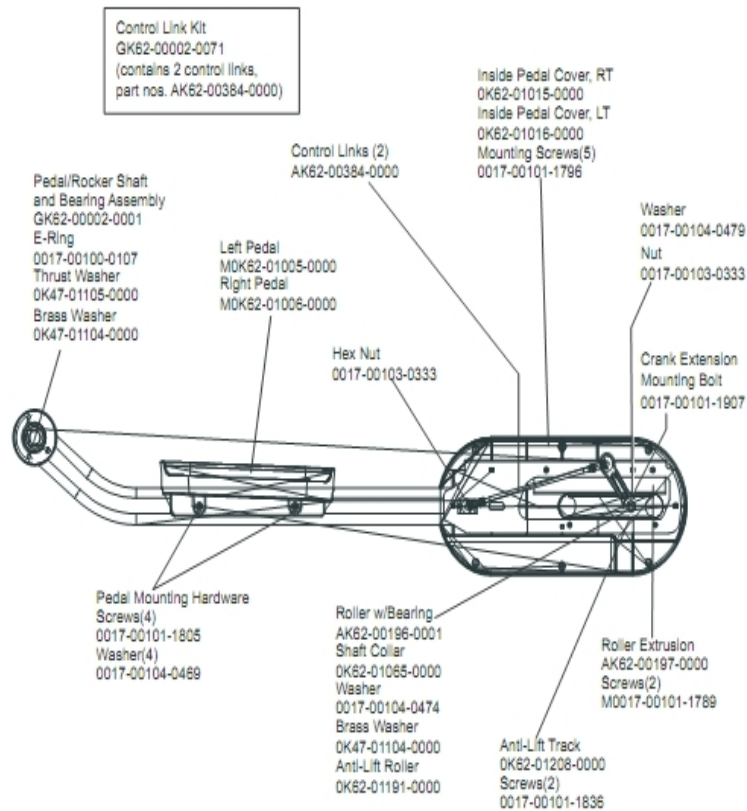
Ref #	Part Number	Qty	Description
-	OK62-01199-0000	2	Bullhorn Gasket
-	OK62-01034-0001	1	Bug Adaptor
-	AK62-00360-0000	1	Right Bullhorn
-	AK58-00245-0000	1	Bug Medallion
-	AK62-00087-0000	1	Handlebar: Left
-	AK62-00361-0000	1	Left Bullhorn
-	AK47-00029-0000	2	Lifepulse Cable
-	AK62-00086-0000	1	Handlebar: Right
-	AK61-00051-0001	2	Lifepulse: User-Arm
-	GK20-00002-0005	1	Heart Rate Electrode Kit

Lower Frame Shrouds And Hardware



Ref #	Part Number	Qty	Description
-	AK62-00111-0000	1	Link Cover with Decal: Right
-	AK62-00124-0000	1	Leg Leveler
-	OK62-01038-0000	1	Left Inside Rocker Cover
-	OK62-01037-0000	1	
-	AK62-00112-0000	1	Link Cover with Decal: Left
-	GK62-00002-0066	1	Rocker Cover Kit
-	0017-00101-1796	6	Hardware: Mounting Screw
-	0017-00101-1836	1	Hardware: Screw 10 MM
-	AK62-00102-0000	1	Wheel/Bracket Assembly
-	AK62-00223-0000	1	Rear Shroud Assembly
-	OK62-01002-0003	1	Shroud Panel
-	0017-00101-1789	3	Hardware: Mounting Screws
-	OK62-01039-0000	1	Right Inside Lever Joint Cover
-	0017-00101-1796	11	Hardware: Mounting Screw 19 MM
-	OK62-01040-0000	1	Left Inside Lever Joint Cover
-	AK62-00106-0001	1	Ladder Frame Cover with Decal
-	OK62-01035-0000	1	Inside Lever Joint Cover

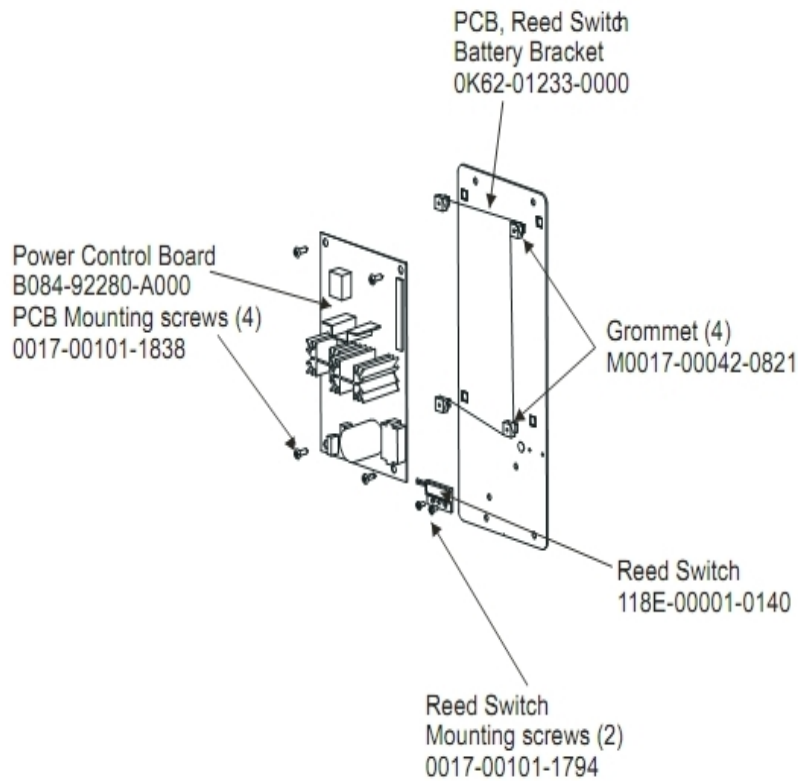
Pedal Lever Assembly Components



Ref #	Part Number	Qty	Description
-	0017-00103-0333	2	Hardware: Hex Nut
-	0017-00101-1805	4	Hardware: TORX Screw 25 MM
-	0017-00101-1907	1	Hardware: Crank Extension Mounting Bolt
-	0017-00104-0469	4	Hardware: Flat Washer 16MM OD
-	0017-00101-1836	2	Hardware: Screw 10 MM
-	0017-00104-0479	1	Hardware: Flat Washer 25.4MM OD
-	OK62-01015-0000	1	Inside Pedal Cover Right
-	OK62-01065-0000	1	Shaft Collar
-	OK47-01104-0000	2	Hardware: Thrust Washer
-	0017-00100-0107	1	Hardware: E-Ring 1"
-	AK62-00196-0001	1	Roller with Bearing
-	AK62-00197-0000	1	Roller Extrusion
-	GK62-0002-0001	1	Pedal/Rocker Shaft and Bearings
-	GK62-0002-0071	3	Control Link Kit
-	MOK62-01005-0000	1	Left Pedal
-	M0017-00101-1789	2	Hardware: Screw
-	MOK62-01006-0000	1	Right Pedal
-	OK62-01016-0000	1	Inside Pedal Cover Left
-	OK62-01208-0000	1	Anti-Lift Track
-	0017-00101-1796	5	Hardware: Mounting Screw 19 MM
-	0017-00104-0474	1	Hardware: Washer
-	OK47-01105-0000	1	Hardware: Hardened Thrust Washer

Ref #	Part Number	Qty	Description
-	0K62-01191-0000	1	Anti-Lift Roller

PCB, Battery, Reed Switch And Bracket

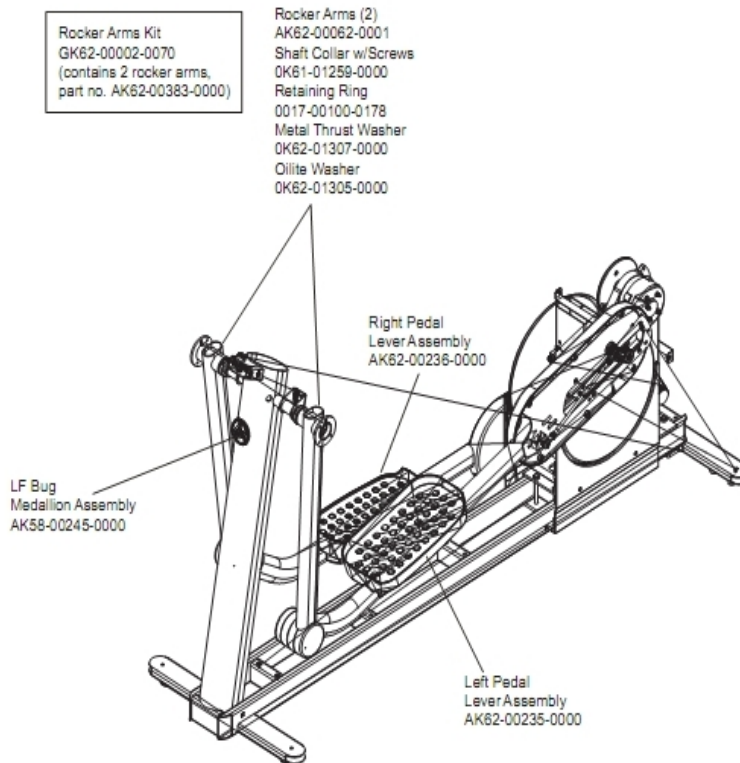


Ref #	Part Number	Qty	Description
-	0K62-01233-0000	1	PCB Reed Switch Battery Bracket
-	0017-00042-0821	4	Hardware: Plastic Grommet
-	118E-00001-0140	1	Reed Switch SPDT
-	0017-00101-1838	4	Hardware: Mounting Screw 19 MM
-	0017-00101-1794	2	Hardware: Screw 10MM
-	B084-92280-A000	1	Power Control Board

References

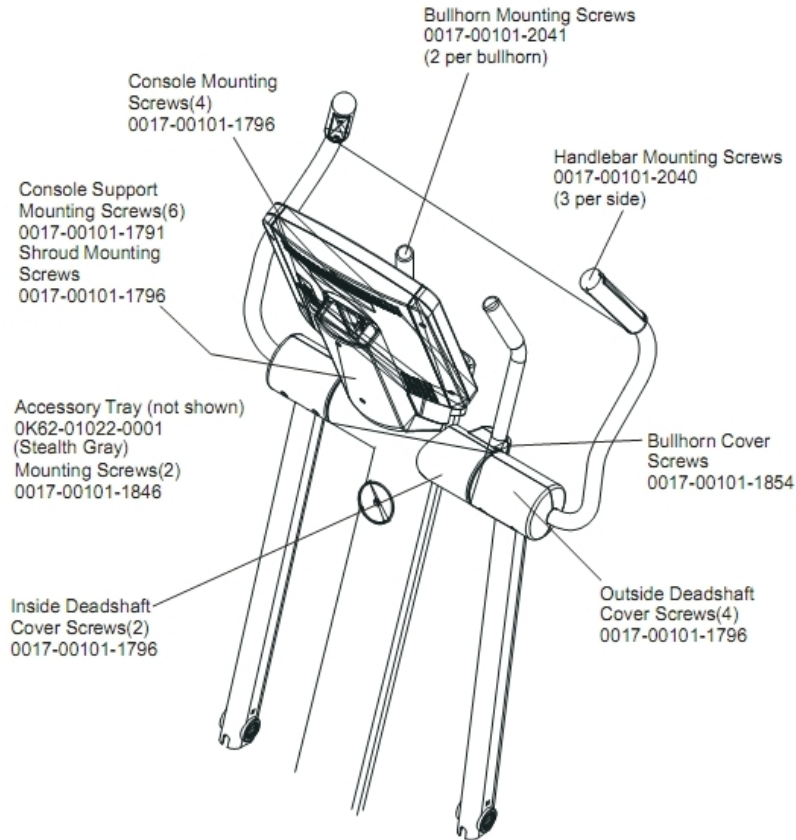
Ref #	Part Number	Qty	Description
-	AK32-00075-0004	1	DC Power Cable
-	0017-00021-2846	1	F-Type Panel Connector
-	AK32-00020-0000	1	68" COAX CABLE
-	OK62-01179-0000	1	Bracket: Access Panel C
-	118E-00001-0161	1	Power Supply 12V 4.5A Without Line Cord
-	0017-00008-0206	1	.33oz Pen - Arctic Silver
-	0017-00003-0704	1	Line Cord 10A 125 V
-	AK62-00172-0000	1	Access Panel
-	0017-00008-0204	1	Paint Spray Can - Arctic Silver
-	AK62-00152-0001	1	Hardware Bag
-	0017-00008-0205	1	5 oz Bottle - Arctic Silver

Rocker Arms And Pedal Levers



Ref #	Part Number	Qty	Description
-	0017-00100-0178	1	Hardware: Retaining Ring 1.25"
-	AK58-00245-0000	1	Bug Medallion
-	AK62-00235-0000	1	Left Pedal Lever Assembly
-	OK62-01305-0000	1	Oilite Bearing
-	OK62-01307-0000	1	Hardware: Spacer
-	GK62-00002-0070	3	Rocker Arm Kit
-	OK61-01259-0000	1	Shaft Split Collar
-	AK62-00236-0000	1	Right Pedal Lever Assembly

Upper Frame Hardware



Ref #	Part Number	Qty	Description
-	0017-00101-1796	11	Hardware: Mounting Screw 19 MM
-	M0017-00101-1791	6	Hardware: Mounting Screw
-	0017-00101-2041	4	Hardware: Bullhorn Mounting Screw
-	0017-00101-2040	6	Hardware: Handlebar Mounting Screw
-	0017-00101-1854	1	Hardware: Bullhorn Cover Screw 44MM
-	0017-00101-1846	2	Hardware: Phillips Pan Screw 10 MM
-	0K62-01022-0001	1	Accessory Tray

