

95Xe Cross-Trainer w/Integrated LCD screen - Arctic Silver

95XE-0100-02

Parts Manual

1/5/2019 11:33:29 AM

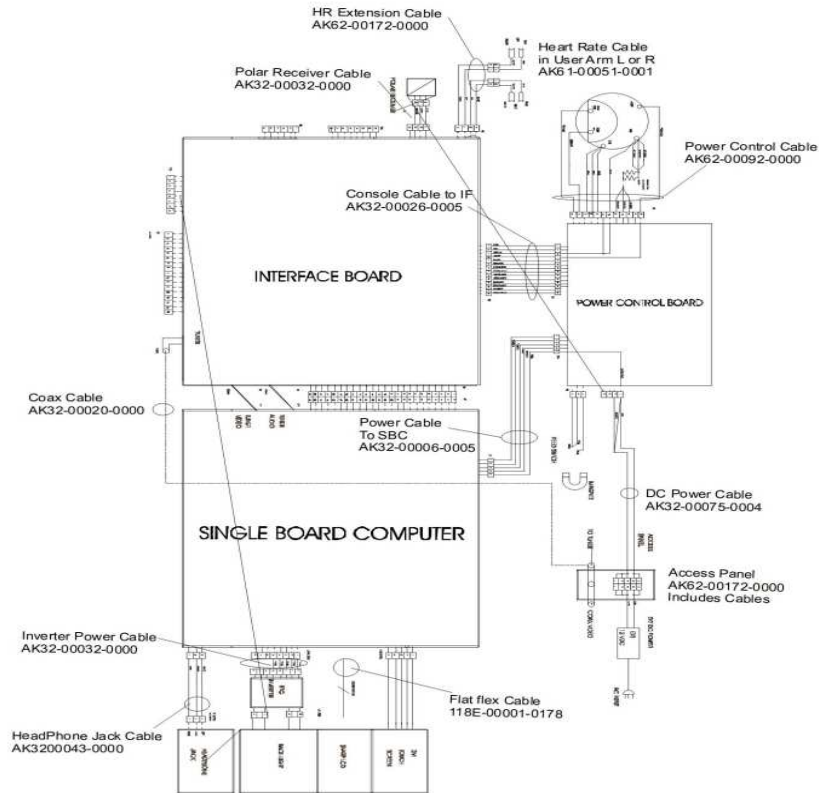


Life Fitness
WHAT WE LIVE FOR

Table of Contents

[Block Diagram](#).....3
[Console and Related Components](#).....4
[Console Assembly](#).....5
[Console Support and Deadshaft Covers](#).....6
[Crank Cover and Lower Caps](#).....7
[Drive Module Components](#).....8
[Drive Module Hardware](#).....9
[Handlebars and Bullhorns](#).....10
[Lower Frame Shrouds and Hardware](#).....11
[Pedal Lever Assembly Components](#).....12
[References](#).....14
[Rocker Arms and Pedal Levers](#).....15
[Upper Frame Hardware](#).....16

Block Diagram

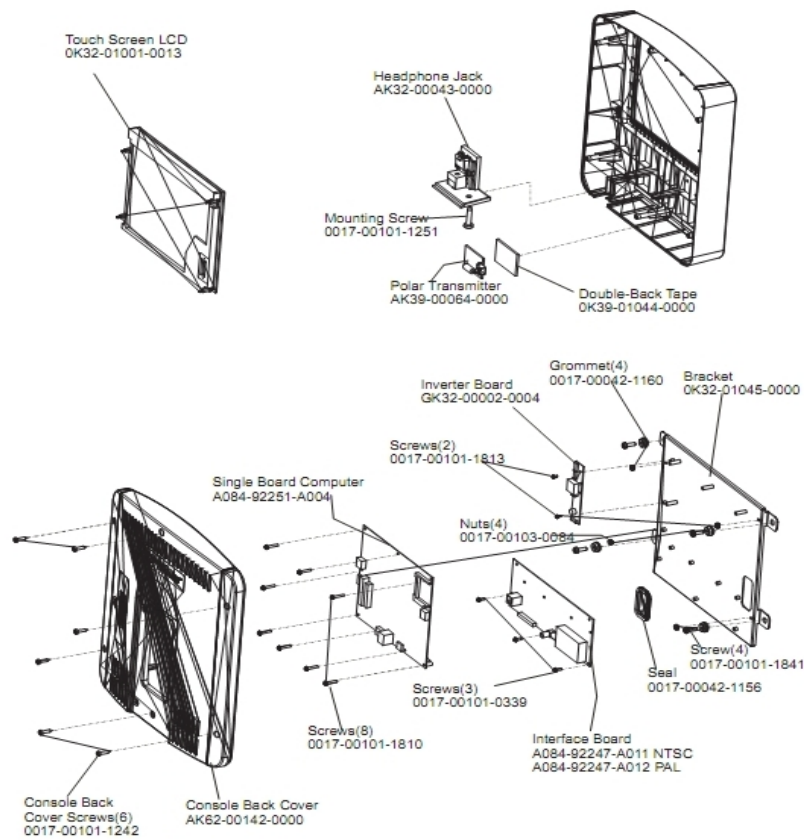


Ref #	Part Number	Qty	Description
-	AK32-00020-0000	1	68" COAX CABLE
-	AK61-00051-0001	1	Lifepulse: User-Arm
-	AK32-00043-0000	1	Headphone Jack
-	AK62-00092-0000	1	Power Control Cable
-	AK32-00032-0000	2	Inverter Cable
-	AK32-00026-0005	1	Console Cable to Interface
-	118E-00001-0178	1	Flat Flex Cable
-	AK62-00172-0000	2	Access Panel
-	AK32-00075-0004	1	DC Power Cable
-	AK32-00006-0005	1	Power Cable to SBC

Console and Related Components

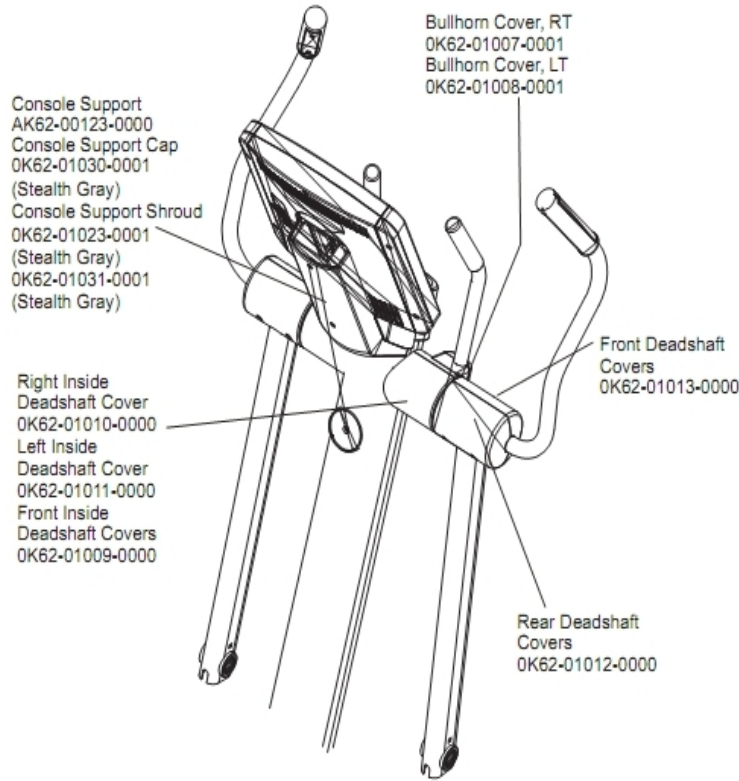
Ref #	Part Number	Qty	Description
-	AK62-00308-0001	1	Bezel / Switch with Overlay Assembly; English/NTSC
-	GK62-00002-0047	1	Service Kit LCD Console NTSC ENG

Console Assembly



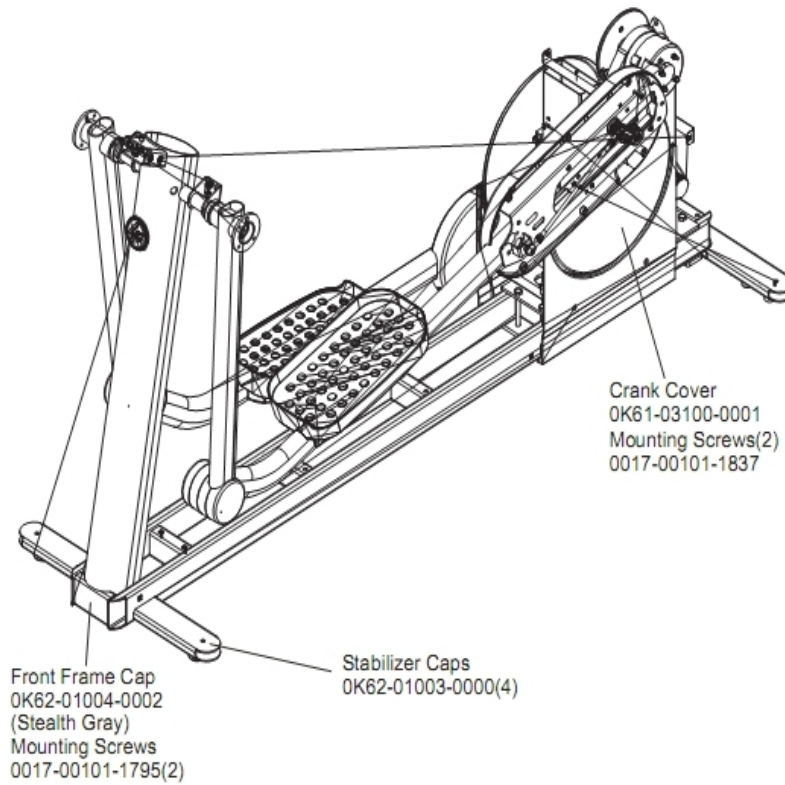
Ref #	Part Number	Qty	Description
-	0017-00101-1841	4	Hardware: Screw
-	0K32-01045-0000	1	Console Bracket
-	0017-00101-1242	6	Hardware: Phillips Pan Screw 0.75"
-	AK32-00050-0000	1	Console Back Cover
-	AK32-00043-0000	1	Headphone Jack
-	0017-00042-1156	1	Edge Trim
-	118E-00001-0259	1	Wireless Receiver Module, Non-Coded
-	0017-00103-0084	4	Hardware: Nut
-	0017-00101-1813	2	Hardware: Inverter Board Screw
-	0K32-01001-0013	1	LCD Touchscreen Assembly
-	0017-00101-1810	8	Hardware: Screw
-	A084-92247-A011	1	Interface Boards NTSC
-	GK32-00002-0004	1	Inverter Board
-	0017-00042-1160	4	Grommet
-	0K39-01044-0000	1	Tape
-	0K32-01001-0013	1	LCD Touchscreen Assembly
-	0K32-01001-0013	1	LCD Touchscreen Assembly
-	A084-92251-A004	1	Single Board Computer
-	0017-00101-1814	3	Hardware: Screw
-	0K32-01001-0013	1	LCD Touchscreen Assembly
-	0017-00101-1811	1	Hardware: Phillips Pan Screw 0.625"

Console Support and Deadshaft Covers



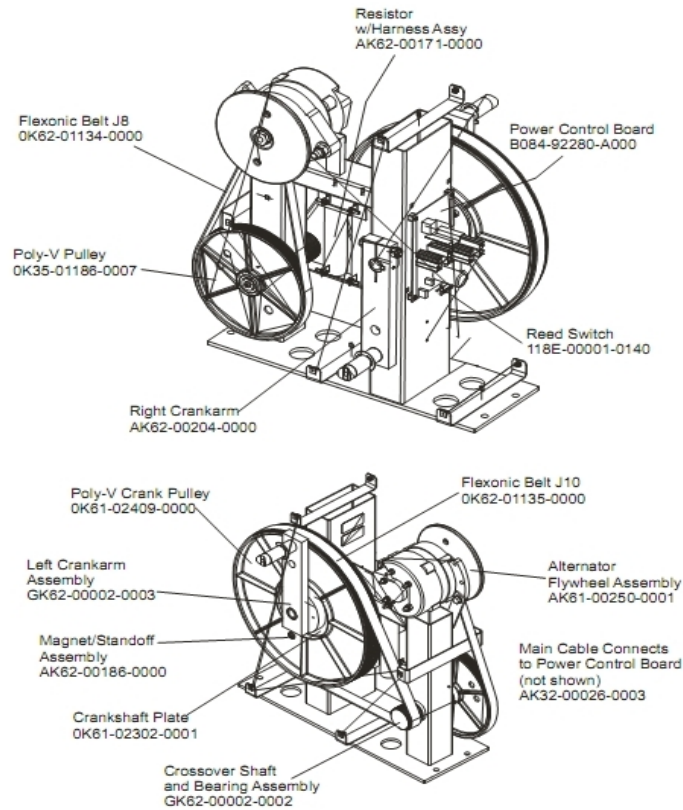
Ref #	Part Number	Qty	Description
-	OK62-01031-0001	1	Cap
-	OK62-01011-0000	1	Left Inside Deadshaft Cover
-	OK62-01008-0001	1	Bullhorn Cover Left
-	OK62-01007-0001	1	Bullhorn Cover Right
-	OK62-01012-0000	1	Front Outside Deadshaft Cover
-	OK62-01009-0000	1	Front Inside Deadshaft Cover
-	OK62-01010-0000	1	Right Inside Deadshaft Cover
-	AK62-00123-0000	1	Console Support
-	OK62-01030-0001	1	Console Support Cap
-	OK62-01013-0000	1	Rear Outside Deadshaft Cover
-	OK62-01023-0001	1	Console Support Shroud

Crank Cover and Lower Caps



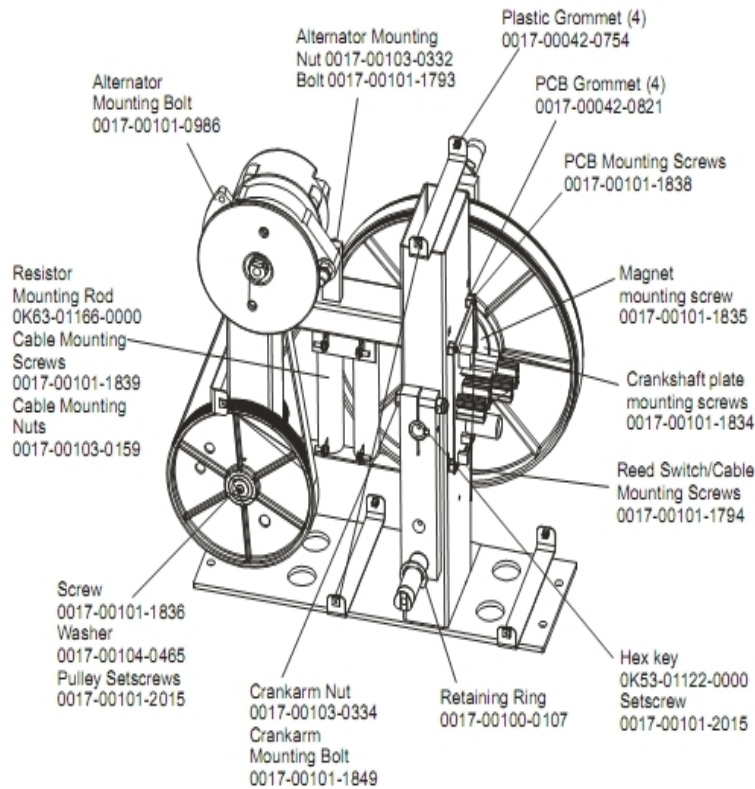
Ref #	Part Number	Qty	Description
-	OK61-03100-0002	1	Crank Cover
-	0017-00101-1795	2	Hardware: Mounting Screw
-	0017-00101-1836	2	Hardware: Screw 10 MM
-	OK62-01004-0002	1	Front frame Cap
-	OK68-01130-0200	4	CAP; STABILIZER; SHADOW GREY

Drive Module Components



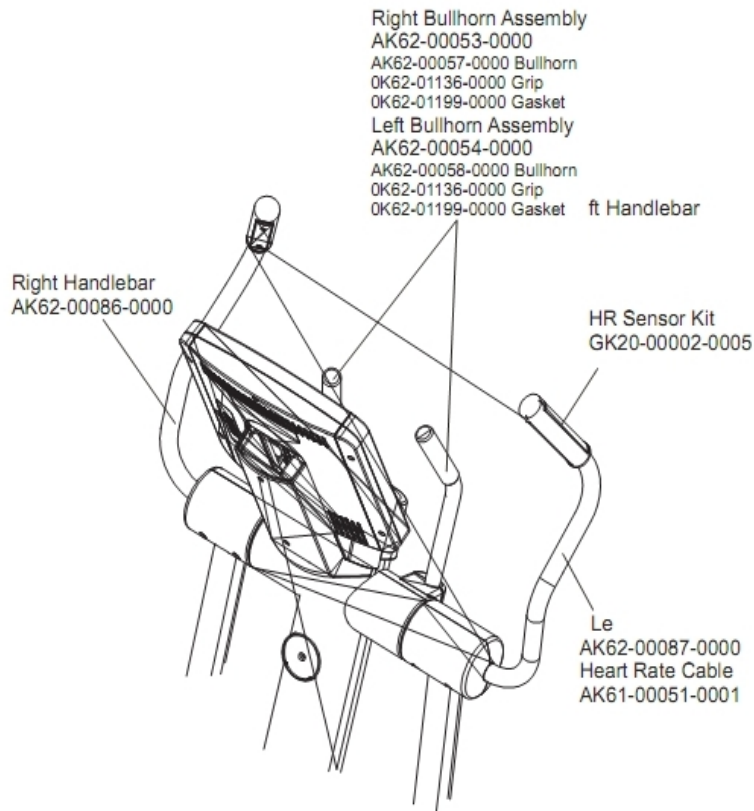
Ref #	Part Number	Qty	Description
-	0K61-02303-0001	1	Crankshaft Plate
-	GK62-00002-0002	1	Crossover Shaft and Bearing Assembly
-	AK61-00250-0002	1	Alternator Flywheel Assembly
-	0K61-02409-0000	1	Poly-V Crank Pulley
-	0K35-01186-0007	1	Poly-V Pulley
-	B084-92280-A000	1	Power Control Board
-	GK62-00002-0028	1	Crankshaft Kit with Bearing
-	AK62-00186-0000	1	Magnet-Standoff Assembly
-	118E-00001-0140	1	Reed Switch SPDT
-	0K62-01134-0000	1	Flexionic Belt
-	GK62-00002-0027	1	Left Crank Arm Weld Assembly
-	AK62-00204-0000	1	Right Crankarm
-	0K62-01135-0000	1	Drive Belt
-	AK62-00171-0000	1	Resistor with Harness Assembly

Drive Module Hardware



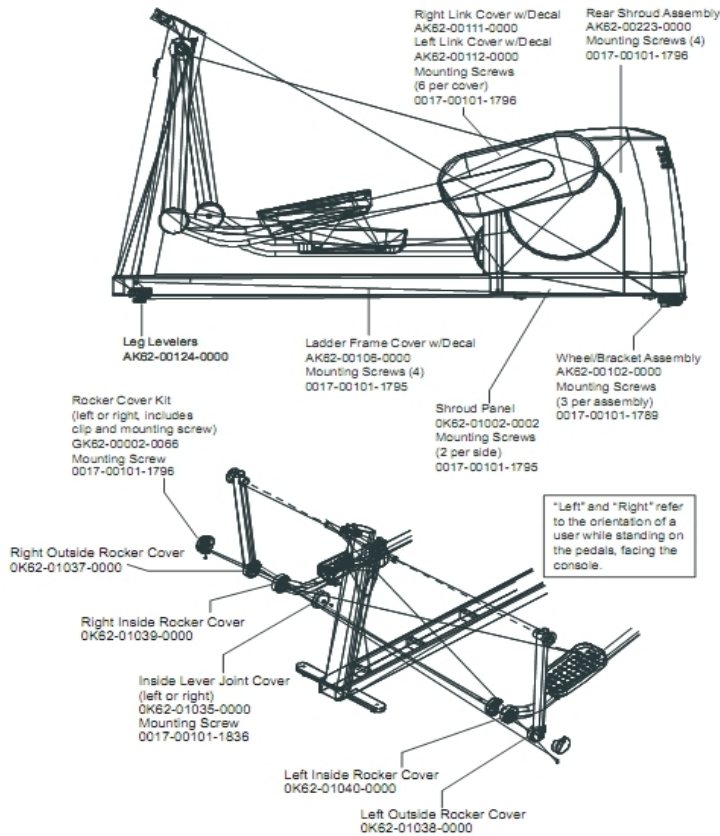
Ref #	Part Number	Qty	Description
-	0017-00101-0986	1	Hardware: Bolt 0.75"
-	0017-00103-0332	1	Hardware: Mounting Nut
-	0017-00042-0821	4	Hardware: Plastic Grommet
-	0017-00101-1836	1	Hardware: Screw 10 MM
-	0017-00101-2015	2	Hardware: Pulley Set Screw 15 MM
-	0017-00103-0334	1	Hardware: Nut 10 MM
-	0017-00101-1849	1	Hardware: Crank arm mounting bolt
-	0017-00100-0107	1	Hardware: E-Ring 1"
-	0017-00101-1839	4	Hardware: Cable Mounting Screw
-	0017-00103-0159	1	Hardware: Mounting Nut
-	0017-00042-0754	4	Hardware: Grommet
-	0017-00101-1793	1	Hardware: Alternator Mounting Bolt
-	0017-00101-1838	1	Hardware: Mounting Screw 19 MM
-	OK53-01122-0000	1	Square Key
-	OK63-01166-0000	1	Resistor Mounting Rod
-	0017-00101-1794	2	Hardware: Screw 10MM
-	0017-00101-1835	1	Hardware: Screw 10MM
-	0017-00104-0465	1	Hardware: Flat Washer 23MM OD
-	0017-00101-1834	1	Hardware: Screw 24MM

Handlebars and Bullhorns



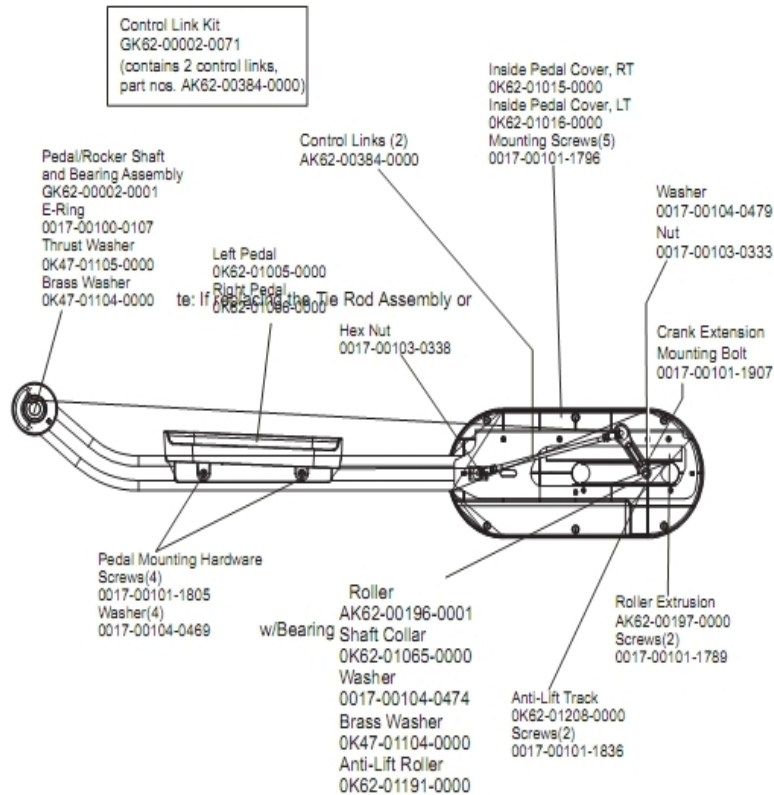
Ref #	Part Number	Qty	Description
-	OK62-01199-0000	2	Bullhorn Gasket
-	OK62-01034-0001	1	Bug Adaptor
-	AK58-00245-0000	1	Bug Medallion
-	GK20-00002-0005	1	Heart Rate Electrode Kit
-	AK62-00057-0001	1	Right Bullhorn
-	AK62-00087-0000	1	Handlebar: Left
-	OK62-01136-0000	2	Grip
-	AK62-00053-0001	1	Right Bullhorn
-	AK62-00058-0001	1	Left Bullhorn
-	AK62-00086-0000	1	Handlebar: Right
-	AK61-00051-0001	1	Lifepulse: User-Arm
-	AK62-00054-0001	1	Left Bullhorn

Lower Frame Shrouds and Hardware



Ref #	Part Number	Qty	Description
-	AK62-00111-0000	1	Link Cover with Decal: Right
-	AK62-00106-0001	1	Ladder Frame Cover with Decal
-	OK62-01038-0000	1	Left Inside Rocker Cover
-	OK62-01037-0000	1	
-	AK62-00112-0000	1	Link Cover with Decal: Left
-	GK62-00002-0066	1	Rocker Cover Kit
-	0017-00101-1795	6	Hardware: Mounting Screw
-	0017-00101-1836	1	Hardware: Screw 10 MM
-	AK62-00102-0000	2	Wheel/Bracket Assembly
-	AK62-00223-0000	1	Rear Shroud Assembly
-	OK62-01002-0003	1	Shroud Panel
-	0017-00101-1789	6	Hardware: Mounting Screws
-	OK62-01039-0000	1	Right Inside Lever Joint Cover
-	0017-00101-1796	11	Hardware: Mounting Screw 19 MM
-	OK62-01040-0000	1	Left Inside Lever Joint Cover
-	AK62-00124-0000	2	Leg Leveler
-	OK62-01035-0000	1	Inside Lever Joint Cover

Pedal Lever Assembly Components



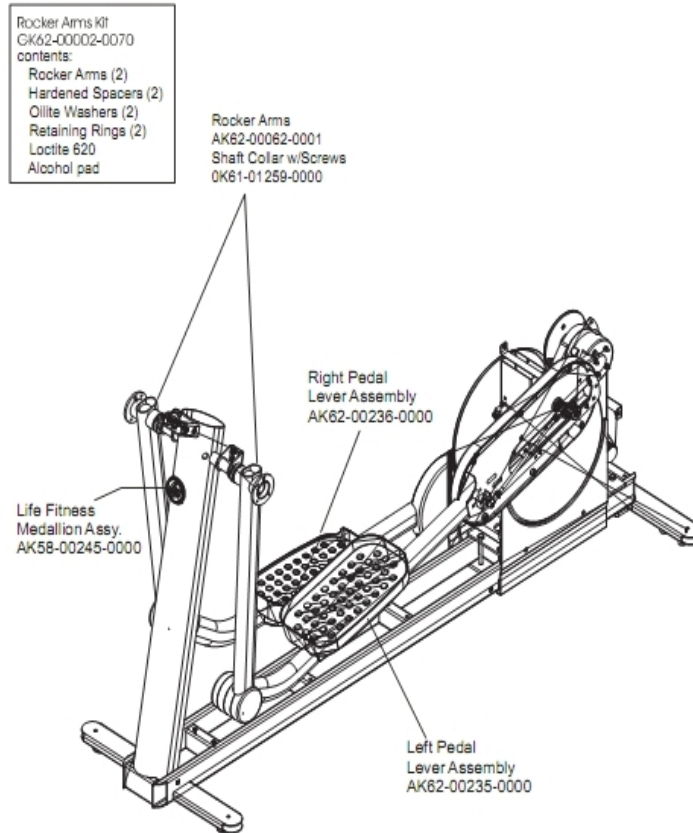
Ref #	Part Number	Qty	Description
-	0017-00103-0333	4	Hardware: Hex Nut
-	OK62-01191-0000	2	Anti-Lift Roller
-	0017-00101-1907	2	Hardware: Crank Extension Mounting Bolt
-	0017-00104-0469	8	Hardware: Flat Washer 16MM OD
-	0017-00101-1836	4	Hardware: Screw 10 MM
-	0017-00104-0479	2	Hardware: Flat Washer 25.4MM OD
-	OK62-01015-0000	2	Inside Pedal Cover Right
-	OK62-01065-0000	2	Shaft Collar
-	OK47-01104-0000	4	Hardware: Thrust Washer
-	0017-00100-0107	2	Hardware: E-Ring 1"
-	AK62-00196-0001	2	Roller with Bearing
-	AK62-00197-0000	2	Roller Extrusion
-	GK62-00002-0001	2	Pedal/Rocker Shaft and Bearings
-	GK62-00002-0071	6	Control Link Kit
-	0017-00101-1789	4	Hardware: Mounting Screws
-	OK62-01005-0000	1	Left Pedal
-	OK62-01006-0000	1	Right Pedal
-	OK62-01016-0000	2	Inside Pedal Cover Left
-	OK62-01208-0000	2	Anti-Lift Track
-	0017-00101-1796	10	Hardware: Mounting Screw 19 MM
-	0017-00104-0474	2	Hardware: Washer

Ref #	Part Number	Qty	Description
-	0K47-01105-0000	2	Hardware: Hardened Thrust Washer
-	0017-00101-1805	8	Hardware: TORX Screw 25 MM

References

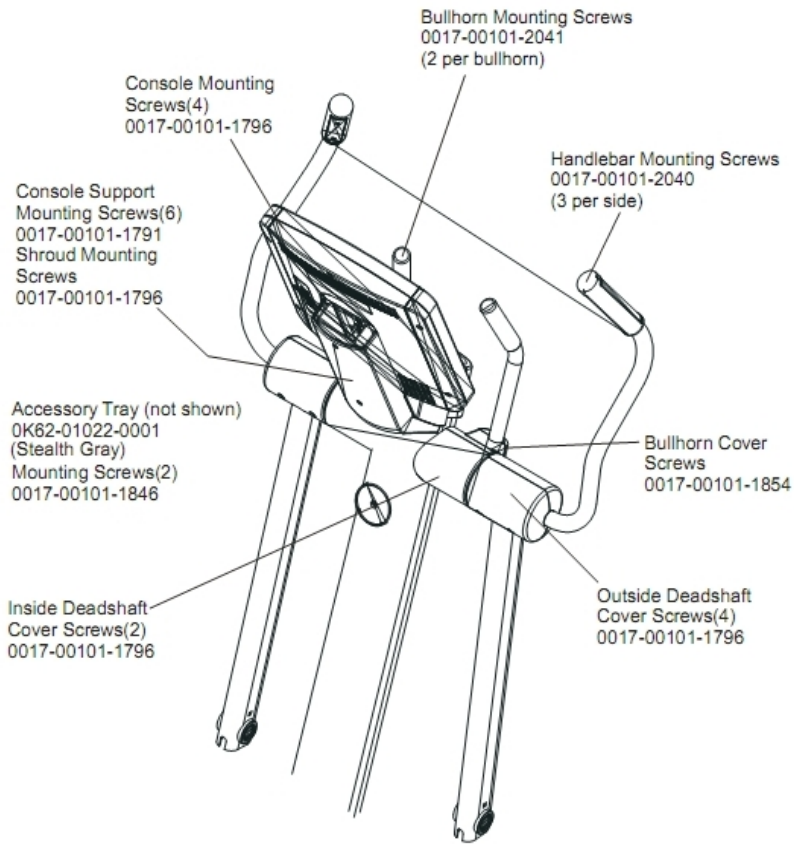
Ref #	Part Number	Qty	Description
-	AK32-00075-0004	1	DC Power Cable
-	0017-00008-0205	1	5 oz Bottle - Arctic Silver
-	AK32-00020-0000	1	68" COAX CABLE
-	GK62-00002-0028	1	Crankshaft Kit with Bearing
-	118E-00001-0161	1	Power Supply 12V 4.5A Without Line Cord
-	0017-00008-0206	1	.33oz Pen - Arctic Silver
-	AK62-00152-0001	1	Hardware Bag
-	0017-00008-0204	1	Paint Spray Can - Arctic Silver
-	AK62-00172-0000	1	Access Panel
-	0017-00003-0704	1	Line Cord 10A 125 V

Rocker Arms and Pedal Levers



Ref #	Part Number	Qty	Description
-	GK62-00002-0070	3	Rocker Arm Kit
-	AK62-00236-0000	1	Right Pedal Lever Assembly
-	OK61-01259-0000	2	Shaft Split Collar
-	AK58-00245-0000	1	Bug Medallion
-	AK62-00235-0000	1	Left Pedal Lever Assembly

Upper Frame Hardware



Ref #	Part Number	Qty	Description
-	0017-00101-2041	4	Hardware: Bullhorn Mounting Screw
-	0017-00101-1854	2	Hardware: Bullhorn Cover Screw 44MM
-	0017-00101-2040	6	Hardware: Handlebar Mounting Screw
-	0017-00101-1796	11	Hardware: Mounting Screw 19 MM
-	0017-00101-1791	6	Hardware: TORX Screw 19 MM
-	0017-00101-1846	4	Hardware: Phillips Pan Screw 10 MM
-	0K62-01022-0001	1	Accessory Tray

