

95Xe Cross-Trainer w/Integrated LCD screen

95XE-0100-03

Parts Manual

1/5/2019 11:33:29 AM



LifeFitness
WHAT WE LIVE FOR

Table of Contents

Bearing Insert Assembly.....	3
Cables.....	4
Complete Console Assembly.....	5
Console Components.....	6
Console Support and Deadshaft Covers.....	7
Crank Arm Pulley Assembly.....	8
Crank Cover and Lower Caps.....	9
Drive Module.....	10
Drive Module Hardware.....	11
Handlebars and Bullhorns.....	12
Lower Frame Shrouds and Hardware.....	13
Pedal Lever Assembly Components.....	14
PCB, Battery, Reed Switch and Bracket.....	16
References.....	17
Rocker Arms and Pedal Levers.....	18
Upper Frame Hardware.....	19

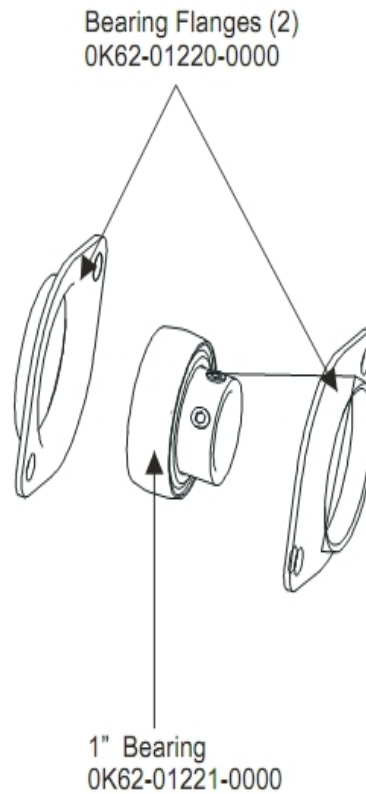
Bearing Insert Assembly

Service Kit-
MGK62-00002-0044
Includes:

- 1 - crankshaft
- 2 - bearings
- 2 - sets of bearing flanges
- 4 - weldnuts and flat washers
- 4 - bolts

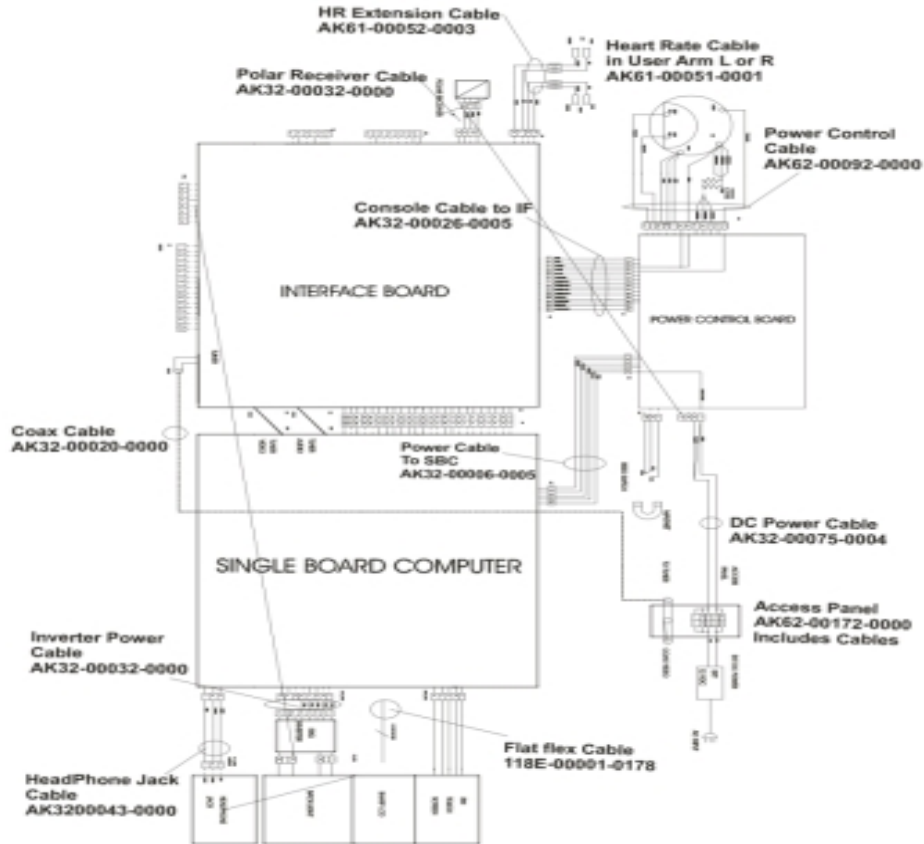
Service Kit- GK62-00002-0045
Includes:

- 1 - intermediate shaft
- 2 - bearings
- 2 - sets of bearing flanges
- 4 - weldnuts and flat washers
- 4 - bolts



Ref #	Part Number	Qty	Description
-	GK62-00002-0044	1	Crankshaft Bearing Kit
-	0K62-01221-0000	1	1" Bearing
-	GK62-00002-0045	1	Intermediate Shaft Bearing Kit
-	0K62-01220-0000	2	Bearing Flange

Cables

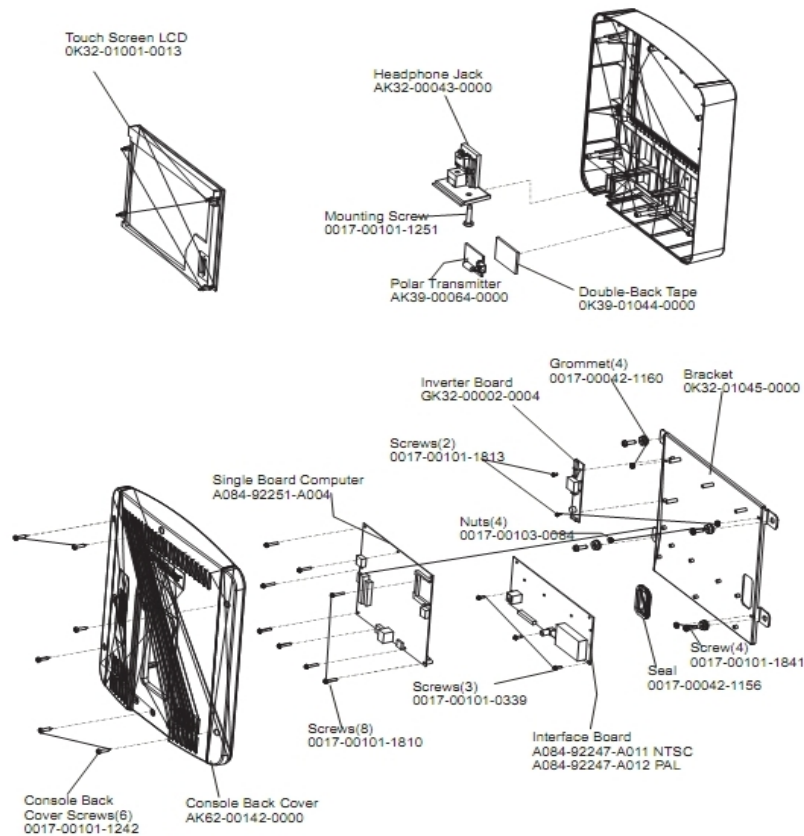


Ref #	Part Number	Qty	Description
-	AK32-00032-0000	2	Inverter Cable
-	AK32-00043-0000	1	Headphone Jack
-	AK32-00075-0004	1	DC Power Cable
-	118E-00001-0178	1	Flat Flex Cable
-	AK32-00020-0000	1	68" COAX CABLE
-	AK62-00172-0000	1	Access Panel
-	AK62-00092-0000	1	Power Control Cable
-	AK61-00052-0003	1	Heart Rate Extension Cable
-	AK61-00051-0001	1	Lifepulse: User-Arm
-	AK32-00006-0005	1	Power Cable to SBC
-	AK32-00026-0005	1	Console Cable to Interface

Complete Console Assembly

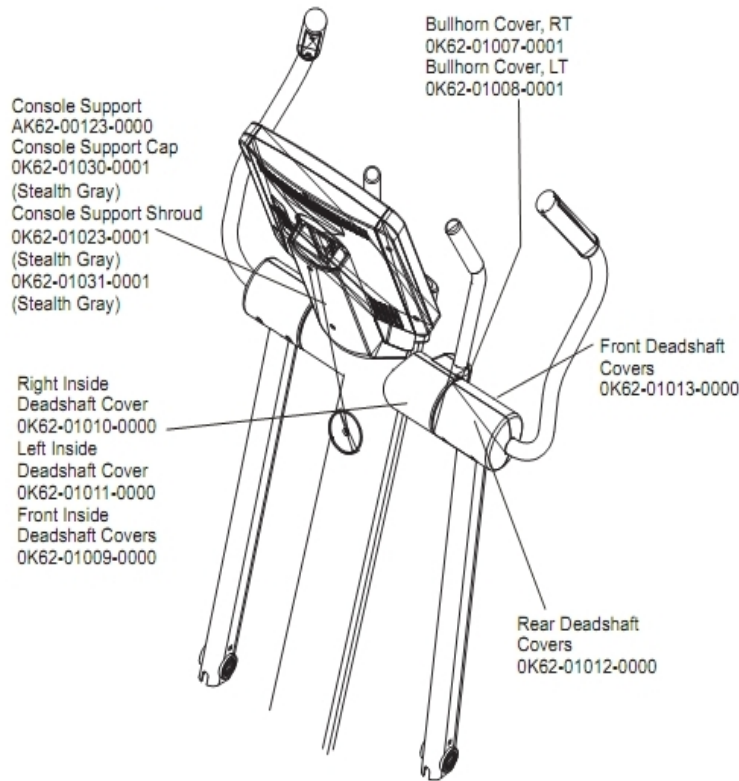
Ref #	Part Number	Qty	Description
-	GK62-00002-0047	1	Service Kit LCD Console NTSC ENG

Console Components



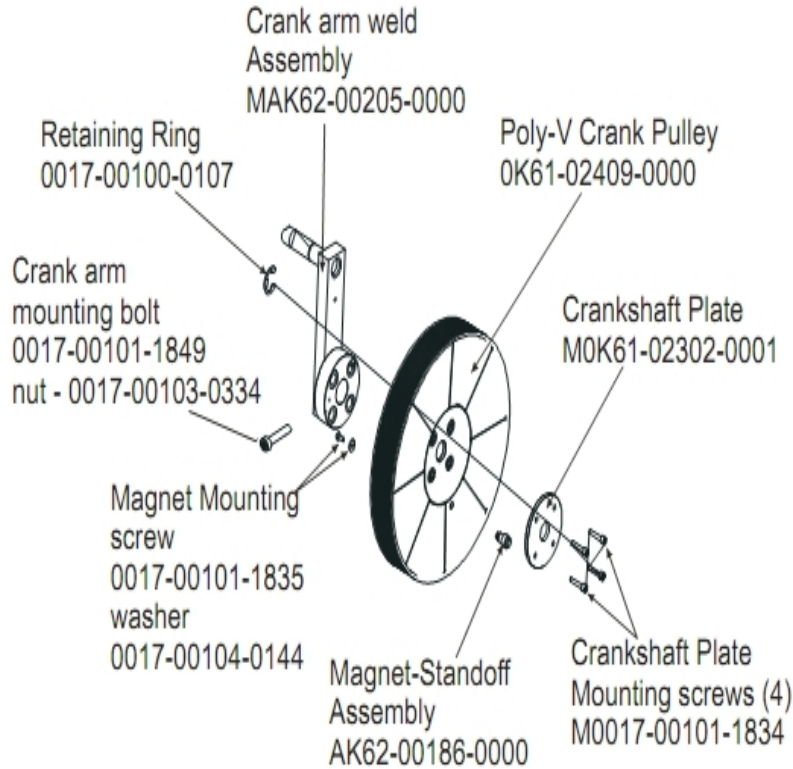
Ref #	Part Number	Qty	Description
-	0017-00103-0084	4	Hardware: Nut
-	0017-00101-1813	2	Hardware: Inverter Board Screw
-	OK32-01001-0013	1	LCD Touchscreen Assembly
-	OK32-01001-0013	1	LCD Touchscreen Assembly
-	OK32-01001-0013	1	LCD Touchscreen Assembly
-	OK32-01001-0013	1	LCD Touchscreen Assembly
-	A084-92251-A004	1	Single Board Computer
-	OK39-01044-0000	1	Tape
-	0017-00101-1251	1	Hardware: Console Case Screws
-	118E-00001-0259	1	Wireless Receiver Module, Non-Coded
-	0017-00101-1810	8	Hardware: Screw
-	A084-92247-A011	1	Interface Boards NTSC
-	0017-00101-0339	3	Hardware: Screws
-	OK32-01045-0000	1	Console Bracket
-	0017-00101-1841	4	Hardware: Screw
-	AK62-00142-0000	1	Console Case with Decal
-	0017-00042-1156	1	Edge Trim
-	AK32-00043-0000	1	Headphone Jack
-	GK32-00002-0004	1	Inverter Board
-	0017-00101-1242	6	Hardware: Phillips Pan Screw 0.75"
-	0017-00042-1160	4	Grommet

Console Support and Deadshaft Covers



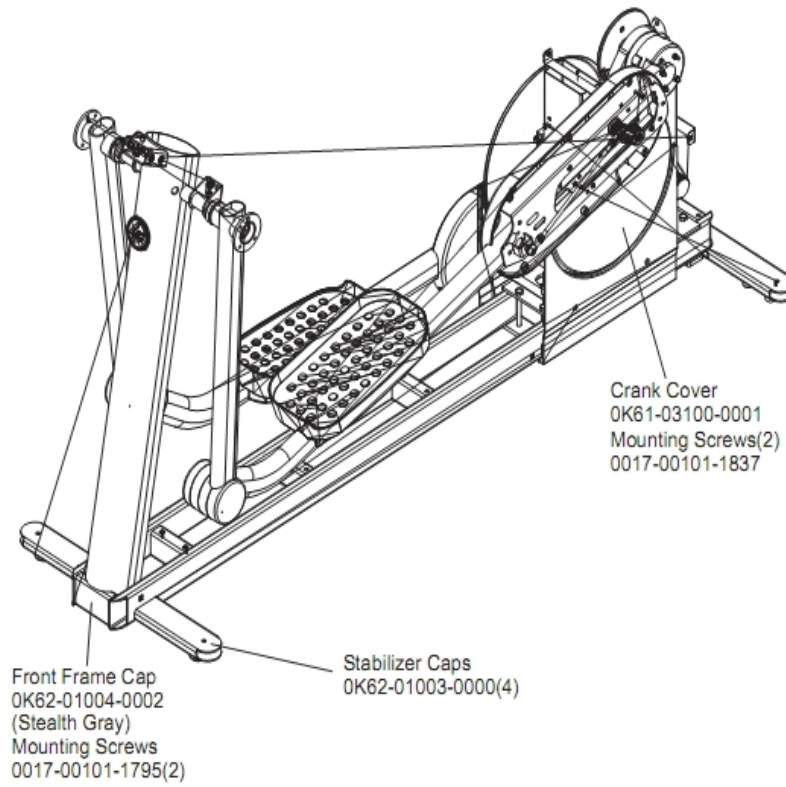
Ref #	Part Number	Qty	Description
-	OK62-01023-0001	1	Console Support Shroud
-	OK62-01031-0001	1	Cap
-	OK62-01011-0000	1	Left Inside Deadshaft Cover
-	OK62-01008-0001	1	Bullhorn Cover Left
-	OK62-01007-0001	1	Bullhorn Cover Right
-	OK62-01012-0000	1	Front Outside Deadshaft Cover
-	OK62-01009-0000	1	Front Inside Deadshaft Cover
-	OK62-01010-0000	1	Right Inside Deadshaft Cover
-	AK62-00123-0000	1	Console Support
-	OK62-01030-0001	1	Console Support Cap
-	OK62-01013-0000	1	Rear Outside Deadshaft Cover

Crank Arm Pulley Assembly



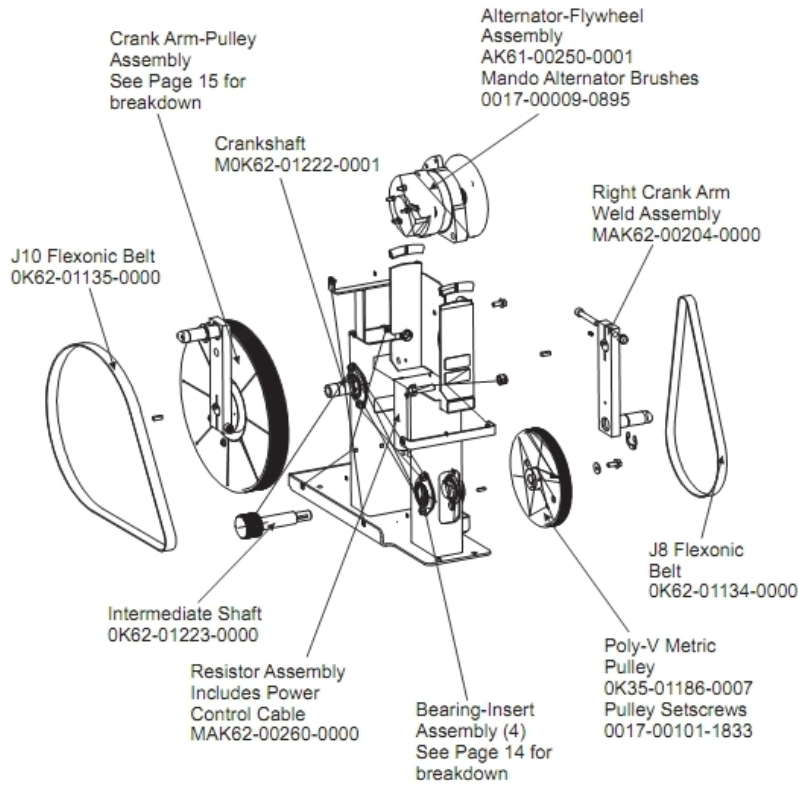
Ref #	Part Number	Qty	Description
-	0K61-02409-0000	1	Poly-V Crank Pulley
-	AK62-00205-0000	1	Crankarm
-	0017-00101-1835	1	Hardware: Screw 10MM
-	AK62-00186-0000	1	Magnet-Standoff Assembly
-	0017-00101-1849	1	Hardware: Crank arm mounting bolt
-	0K61-02302-0001	1	Crankshaft Plate
-	0017-00100-0107	1	Hardware: E-Ring 1"
-	0017-00101-1834	4	Hardware: Screw 24MM
-	0017-00103-0334	1	Hardware: Nut 10 MM
-	0017-00104-0144	1	Hardware: Washer 0.625" OD

Crank Cover and Lower Caps



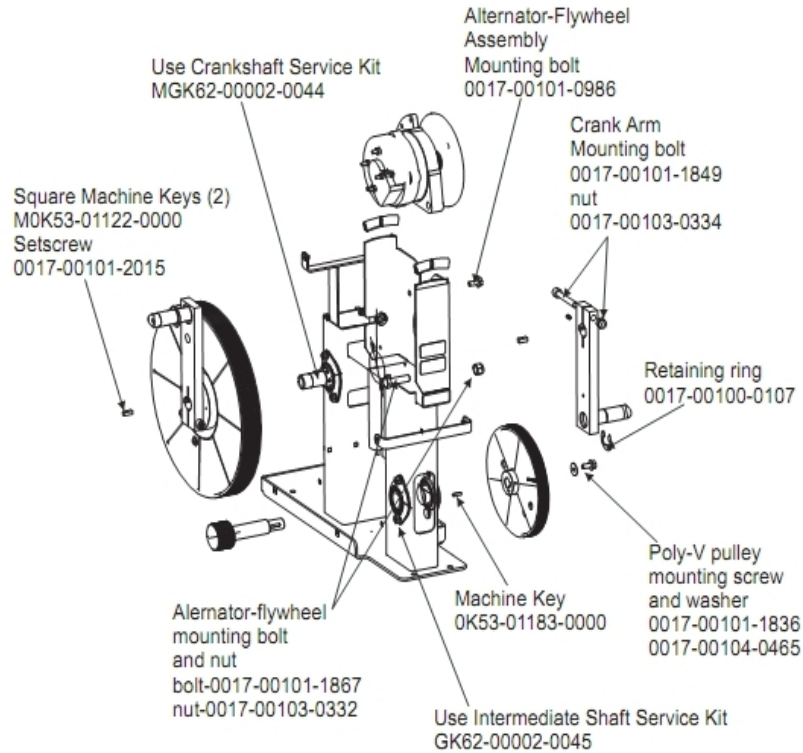
Ref #	Part Number	Qty	Description
-	0017-00101-1837	2	Hardware: Screw 18MM
-	OK68-01130-0200	4	CAP; STABILIZER; SHADOW GREY
-	0017-00101-1795	2	Hardware: Mounting Screw
-	OK61-03100-0002	1	Crank Cover
-	OK62-01004-0002	1	Front frame Cap

Drive Module



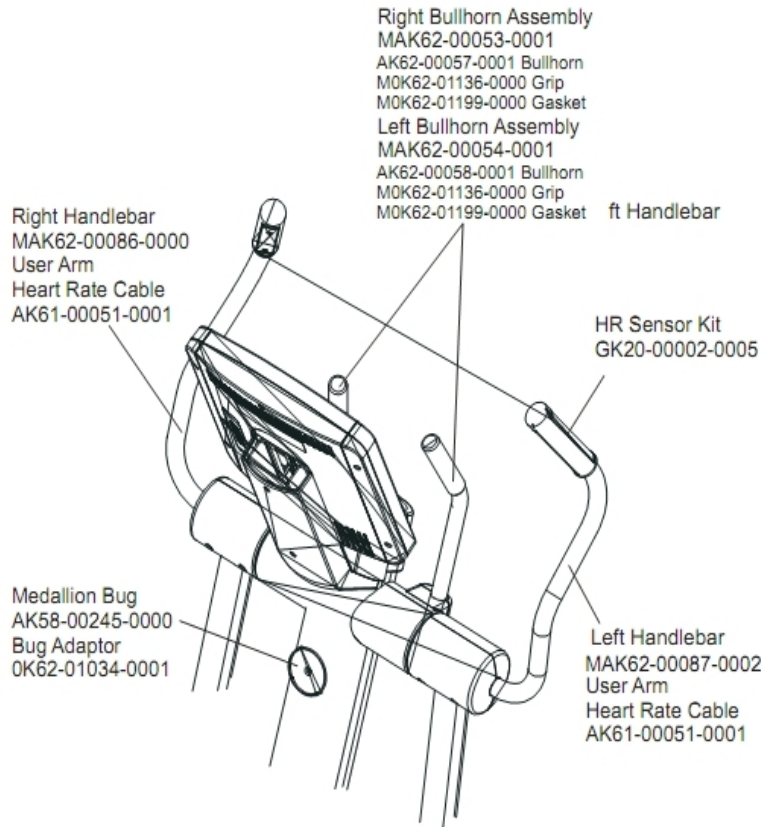
Ref #	Part Number	Qty	Description
-	0K62-01134-0000	1	Flexonic Belt
-	AK61-00250-0001	1	Alternator w/Flywheel
-	AK62-00260-0000	1	Resistor Assembly
-	0K62-01135-0000	1	Drive Belt
-	0K62-01222-0001	1	Crankshaft
-	0017-00101-1833	1	Hardware: Set screw
-	0K35-01186-0007	1	Poly-V Pulley
-	AK62-00204-0000	1	Right Crankarm
-	0017-00009-0895	1	Alternator Brush Kit
-	0K62-01223-0000	1	Intermediate Shaft

Drive Module Hardware



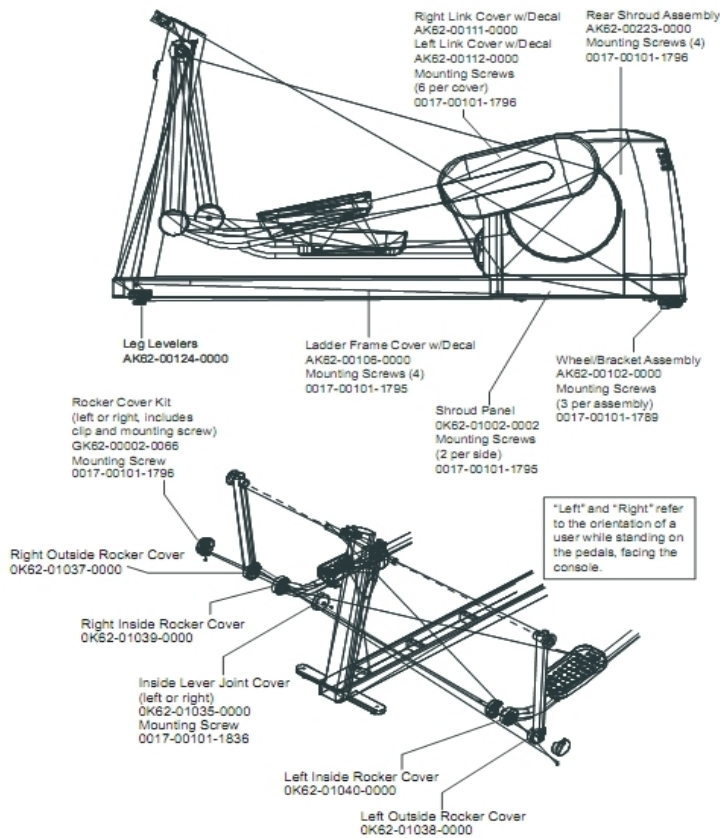
Ref #	Part Number	Qty	Description
-	0017-00101-0986	1	Hardware: Bolt 0.75"
-	0017-00103-0332	1	Hardware: Mounting Nut
-	0017-00101-1836	1	Hardware: Screw 10 MM
-	0017-00101-2015	1	Hardware: Pulley Set Screw 15 MM
-	0017-00103-0334	1	Hardware: Nut 10 MM
-	GK62-00002-0044	1	Crankshaft Bearing Kit
-	0017-00101-1849	1	Hardware: Crank arm mounting bolt
-	OK53-01183-0000	1	Hex key
-	0017-00100-0107	1	Hardware: E-Ring 1"
-	0017-00101-1867	1	Hardware: Mounting Bolt 45 MM
-	GK62-00002-0045	1	Intermediate Shaft Bearing Kit
-	OK53-01122-0000	2	Square Key
-	0017-00104-0465	1	Hardware: Flat Washer 23MM OD

Handlebars and Bullhorns



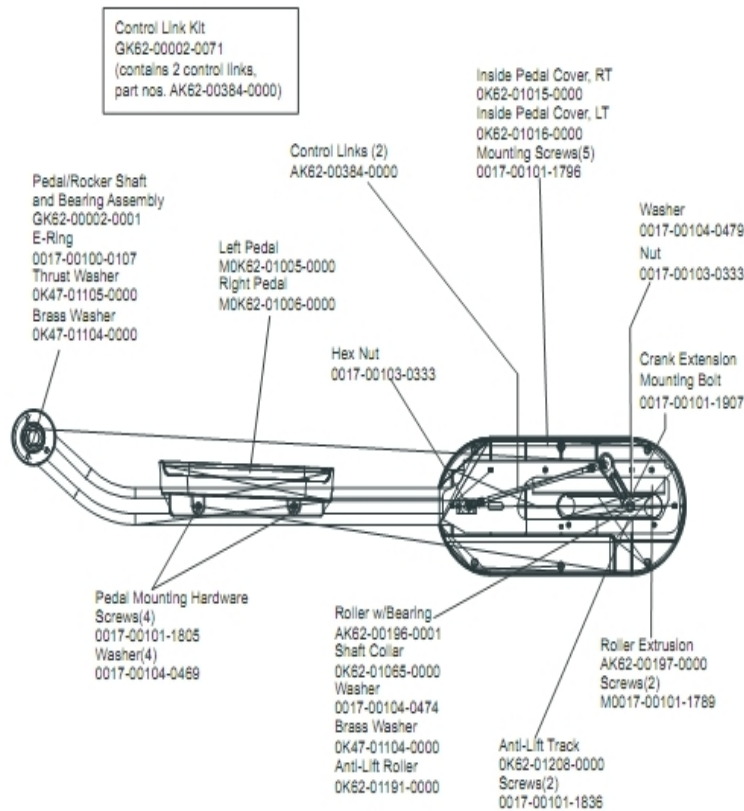
Ref #	Part Number	Qty	Description
-	0K62-01199-0000	2	Bullhorn Gasket
-	0K62-01034-0001	1	Bug Adaptor
-	AK58-00245-0000	1	Bug Medallion
-	GK20-00002-0005	1	Heart Rate Electrode Kit
-	AK62-00057-0001	1	Right Bullhorn
-	AK62-00087-0000	1	Handlebar: Left
-	0K62-01136-0000	2	Grip
-	AK62-00053-0001	1	Right Bullhorn
-	AK62-00058-0001	1	Left Bullhorn
-	AK62-00086-0000	1	Handlebar: Right
-	AK61-00051-0001	2	Lifepulse: User-Arm
-	AK62-00054-0001	1	Left Bullhorn

Lower Frame Shrouds and Hardware



Ref #	Part Number	Qty	Description
-	AK62-00111-0000	1	Link Cover with Decal: Right
-	0017-00101-1796	11	Hardware: Mounting Screw 19 MM
-	OK62-01038-0000	1	Left Inside Rocker Cover
-	OK62-01037-0000	1	
-	AK62-00112-0000	1	Link Cover with Decal: Left
-	GK62-00002-0066	1	Rocker Cover Kit
-	AK62-00102-0000	2	Wheel/Bracket Assembly
-	0017-00101-1795	8	Hardware: Mounting Screw
-	0017-00101-1836	1	Hardware: Screw 10 MM
-	AK62-00223-0000	1	Rear Shroud Assembly
-	OK62-01002-0003	1	Shroud Panel
-	OK62-01039-0000	1	Right Inside Lever Joint Cover
-	0017-00101-1789	6	Hardware: Mounting Screws
-	AK62-00106-0001	1	Ladder Frame Cover with Decal
-	OK62-01040-0000	1	Left Inside Lever Joint Cover
-	AK62-00124-0000	2	Leg Leveler
-	OK62-01035-0000	1	Inside Lever Joint Cover

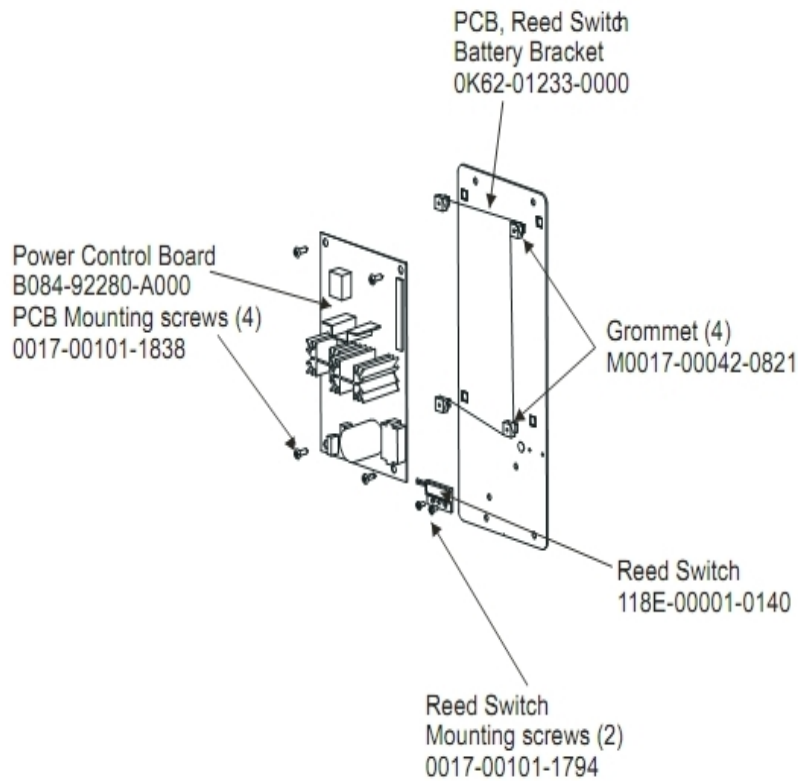
Pedal Lever Assembly Components



Ref #	Part Number	Qty	Description
-	OK62-01015-0000	2	Inside Pedal Cover Right
-	OK62-01065-0000	2	Shaft Collar
-	OK47-01104-0000	4	Hardware: Thrust Washer
-	0017-00100-0107	2	Hardware: E-Ring 1"
-	AK62-00196-0001	2	Roller with Bearing
-	AK62-00197-0000	2	Roller Extrusion
-	GK62-0002-0001	2	Pedal/Rocker Shaft and Bearings
-	GK62-0002-0071	6	Control Link Kit
-	0017-00101-1789	4	Hardware: Mounting Screws
-	OK62-01005-0000	1	Left Pedal
-	OK62-01006-0000	1	Right Pedal
-	OK62-01016-0000	2	Inside Pedal Cover Left
-	OK62-01208-0000	2	Anti-Lift Track
-	0017-00101-1796	10	Hardware: Mounting Screw 19 MM
-	0017-00104-0474	2	Hardware: Washer
-	OK47-01105-0000	2	Hardware: Hardened Thrust Washer
-	0017-00104-0479	2	Hardware: Flat Washer 25.4MM OD
-	0017-00101-1836	4	Hardware: Screw 10 MM
-	0017-00104-0469	8	Hardware: Flat Washer 16MM OD
-	0017-00101-1907	2	Hardware: Crank Extension Mounting Bolt
-	OK62-01191-0000	2	Anti-Lift Roller
-	0017-00103-0333	4	Hardware: Hex Nut

Ref #	Part Number	Qty	Description
-	0017-00101-1805	8	Hardware: TORX Screw 25 MM

PCB, Battery, Reed Switch and Bracket

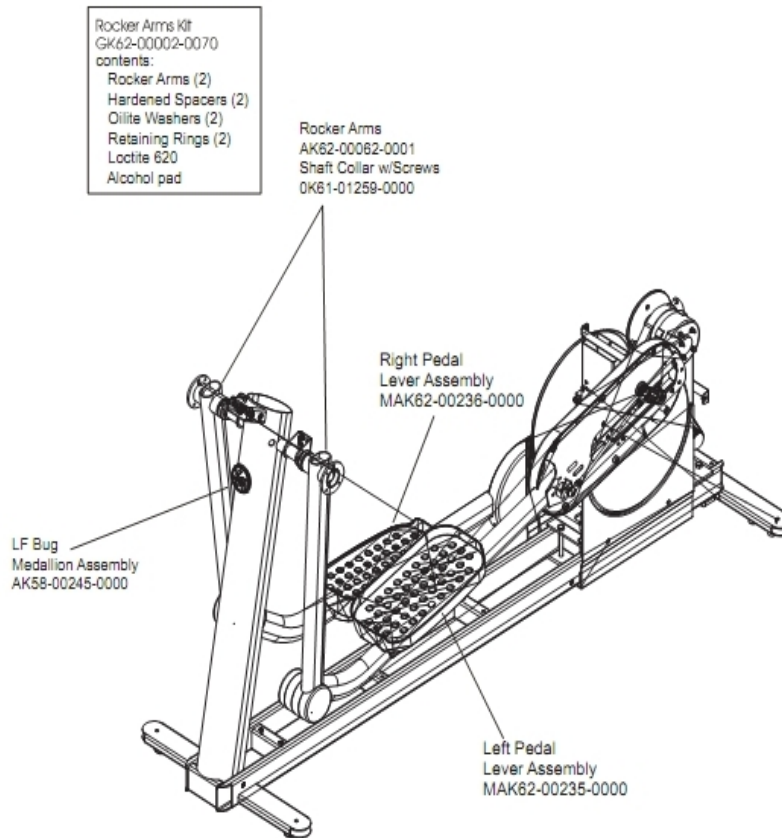


Ref #	Part Number	Qty	Description
-	B084-92280-A000	1	Power Control Board
-	0017-00042-0821	4	Hardware: Plastic Grommet
-	118E-00001-0140	1	Reed Switch SPDT
-	0017-00101-1794	2	Hardware: Screw 10MM
-	0017-00101-1838	4	Hardware: Mounting Screw 19 MM
-	0K62-01233-0000	1	PCB Reed Switch Battery Bracket

References

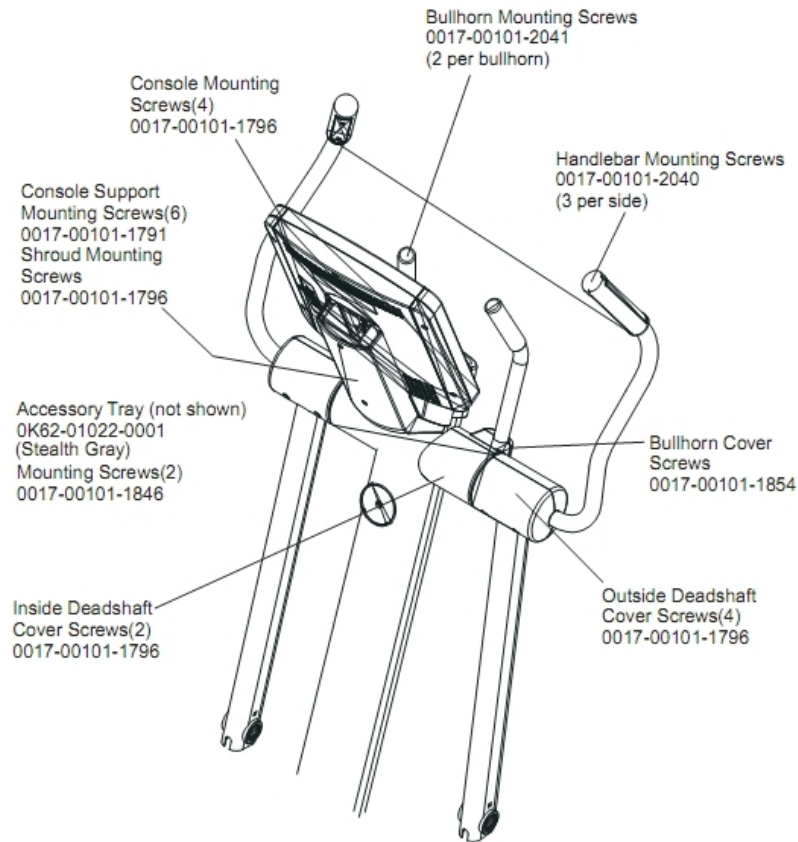
Ref #	Part Number	Qty	Description
-	AK32-00020-0000	1	68" COAX CABLE
-	118E-00001-0161	1	Power Supply 12V 4.5A Without Line Cord
-	0017-00008-0206	1	.33oz Pen - Arctic Silver
-	0017-00008-0204	1	Paint Spray Can - Arctic Silver
-	0017-00003-0704	1	Line Cord 10A 125 V
-	AK32-00075-0004	1	DC Power Cable
-	0017-00008-0205	1	5 oz Bottle - Arctic Silver
-	AK62-00152-0001	1	Hardware Bag
-	AK62-00172-0000	1	Access Panel

Rocker Arms and Pedal Levers



Ref #	Part Number	Qty	Description
-	AK62-00236-0000	1	Right Pedal Lever Assembly
-	OK61-01259-0000	2	Shaft Split Collar
-	AK62-00235-0000	1	Left Pedal Lever Assembly
-	GK62-00002-0070	3	Rocker Arm Kit
-	AK58-00245-0000	1	Bug Medallion

Upper Frame Hardware



Ref #	Part Number	Qty	Description
-	0017-00101-2041	4	Hardware: Bullhorn Mounting Screw
-	0017-00101-1854	2	Hardware: Bullhorn Cover Screw 44MM
-	0017-00101-2040	6	Hardware: Handlebar Mounting Screw
-	0017-00101-1796	11	Hardware: Mounting Screw 19 MM
-	0017-00101-1791	6	Hardware: TORX Screw 19 MM
-	0017-00101-1846	4	Hardware: Phillips Pan Screw 10 MM
-	0K62-01022-0001	1	Accessory Tray

