

95Xe Cross-Trainer w/Integrated LCD screen

95XE-0100-04

Parts Manual

1/5/2019 11:33:29 AM



LifeFitness
WHAT WE LIVE FOR

Table of Contents

Bearing Insert Assembly.....	3
Cables.....	4
Complete Console Assembly.....	5
Console Components.....	6
Console Support and Deadshaft Covers.....	7
Crank Arm Pulley Assembly.....	8
Crank Cover and Lower Caps.....	9
Drive Module.....	10
Drive Module Hardware.....	11
Handlebars and Bullhorns.....	12
Lower Frame Shrouds and Hardware.....	13
Pedal Lever Assembly Components.....	14
PCB, Battery, Reed Switch and Bracket.....	16
References.....	17
Rocker Arms and Pedal Levers.....	18
Upper Frame Hardware.....	19

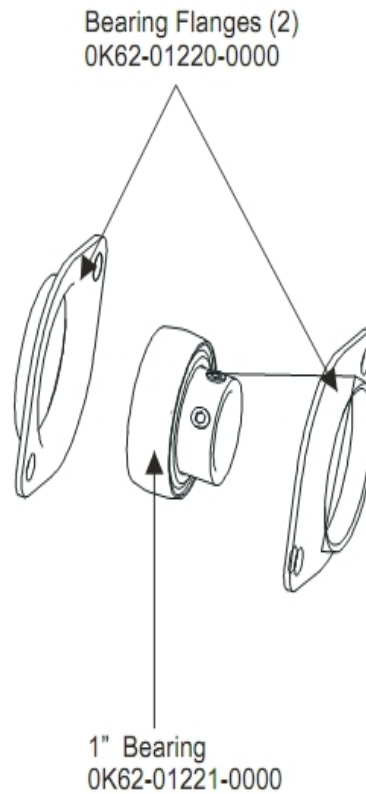
Bearing Insert Assembly

Service Kit-
MGK62-00002-0044
Includes:

- 1 - crankshaft
- 2 - bearings
- 2 - sets of bearing flanges
- 4 - weldnuts and flat washers
- 4 - bolts

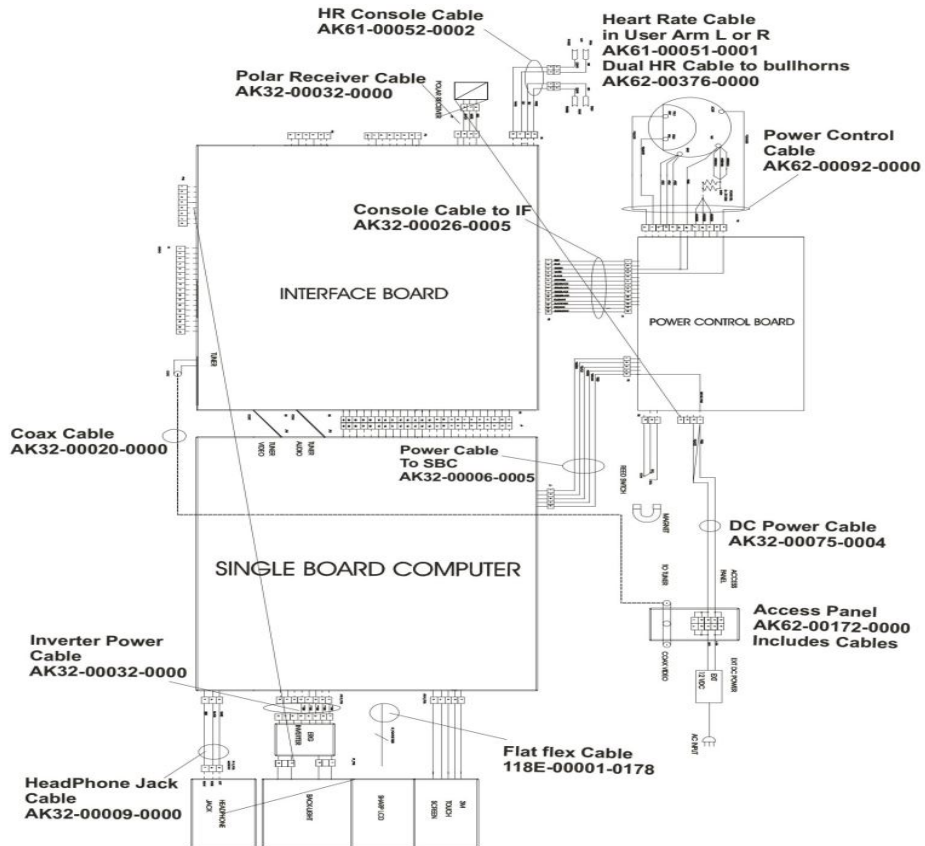
Service Kit- GK62-00002-0045
Includes:

- 1 - intermediate shaft
- 2 - bearings
- 2 - sets of bearing flanges
- 4 - weldnuts and flat washers
- 4 - bolts



Ref #	Part Number	Qty	Description
-	GK62-00002-0044	1	Crankshaft Bearing Kit
-	0K62-01221-0000	1	1" Bearing
-	GK62-00002-0045	1	Intermediate Shaft Bearing Kit
-	0K62-01220-0000	2	Bearing Flange

Cables

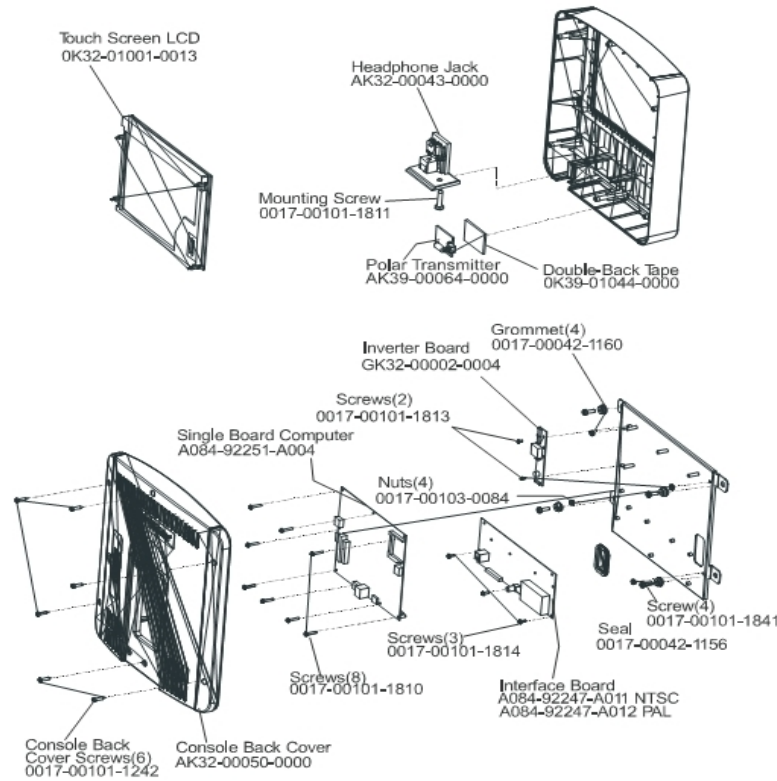


Ref #	Part Number	Qty	Description
-	AK61-00052-0002	1	Lifepulse Sensor Cable
-	AK32-00009-0000	1	Headphone Jack Cable
-	AK61-00051-0001	1	Lifepulse: User-Arm
-	AK62-00092-0000	1	Power Control Cable
-	AK32-00020-0000	1	68" COAX CABLE
-	AK32-00075-0004	1	DC Power Cable
-	AK32-00032-0000	2	Inverter Cable
-	AK32-00006-0005	1	Power Cable to SBC
-	AK62-00172-0000	1	Access Panel
-	AK62-00376-0000	1	Dual HR Cable to bullhorns
-	118E-00001-0178	1	Flat Flex Cable

Complete Console Assembly

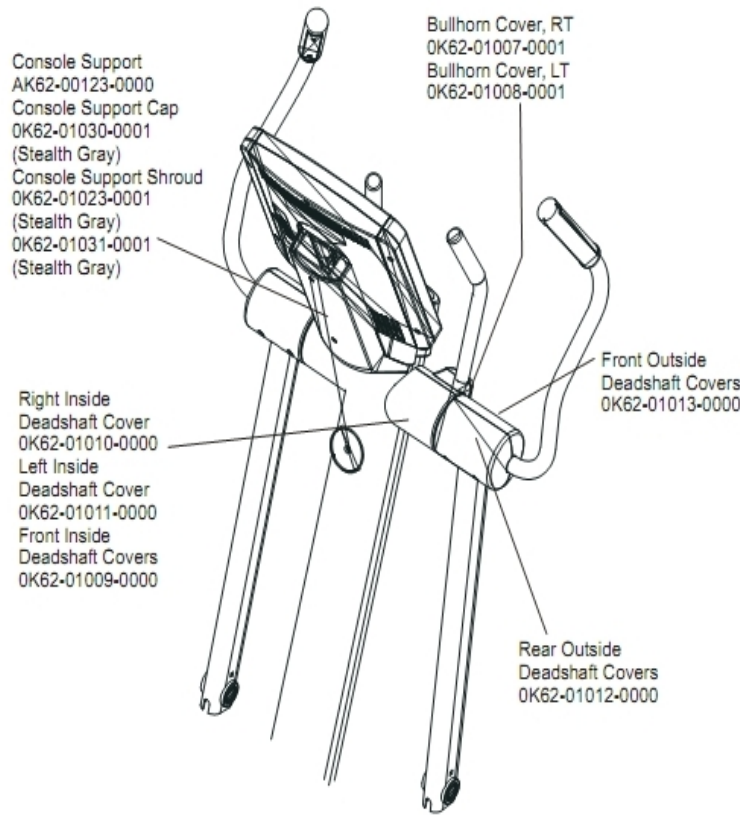
Ref #	Part Number	Qty	Description
-	AK62-00369-0001	1	Console Assembly NTSC English

Console Components



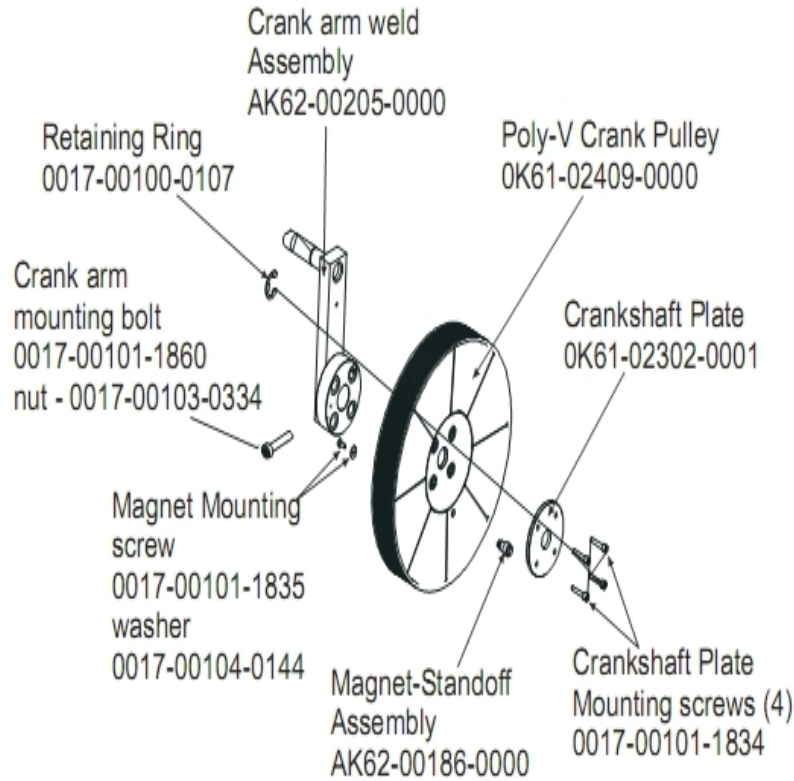
Ref #	Part Number	Qty	Description
-	0017-00101-1242	6	Hardware: Phillips Pan Screw 0.75"
-	0017-00103-0084	4	Hardware: Nut
-	0017-00101-1813	2	Hardware: Inverter Board Screw
-	0K32-01001-0013	1	LCD Touchscreen Assembly
-	0K32-01001-0013	1	LCD Touchscreen Assembly
-	0K32-01001-0013	1	LCD Touchscreen Assembly
-	0K32-01001-0013	1	LCD Touchscreen Assembly
-	118E-00001-0259	1	Wireless Receiver Module, Non-Coded
-	0017-00101-1810	10	Hardware: Screw
-	A084-92247-A011	1	Interface Boards NTSC
-	0017-00101-1814	3	Hardware: Screw
-	0017-00101-1841	4	Hardware: Screw
-	GK32-00002-0004	1	Inverter Board
-	0017-00042-1160	4	Grommet
-	0017-00101-1811	1	Hardware: Phillips Pan Screw 0.625"
-	0K39-01044-0000	1	Tape
-	0017-00042-1156	1	Edge Trim
-	A084-92251-A004	1	Single Board Computer
-	AK32-00050-0000	1	Console Back Cover
-	AK32-00043-0000	1	Headphone Jack

Console Support and Deadshaft Covers



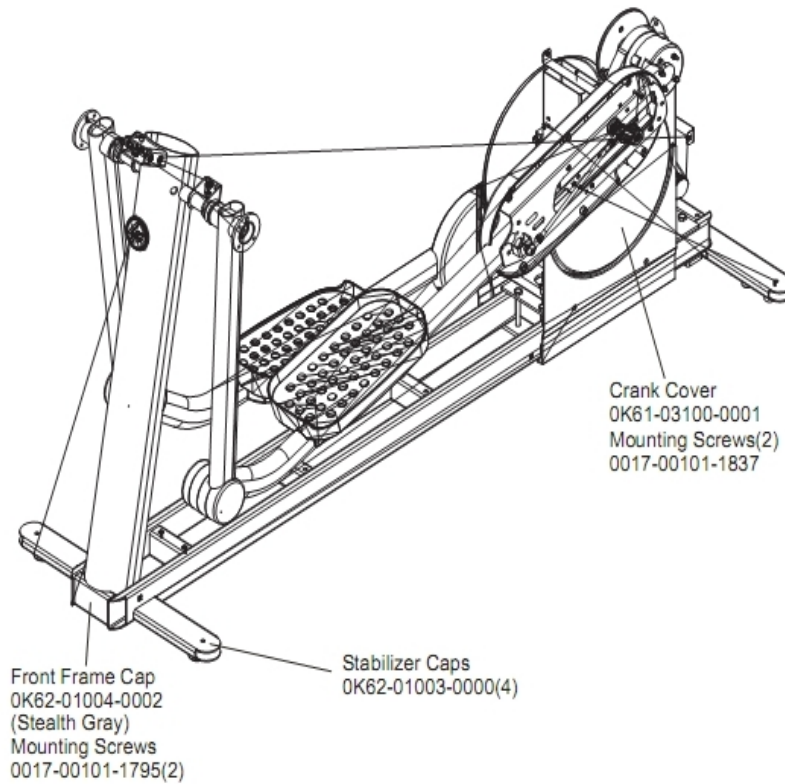
Ref #	Part Number	Qty	Description
-	OK62-01031-0001	1	Cap
-	OK62-01011-0000	1	Left Inside Deadshaft Cover
-	OK62-01008-0001	1	Bullhorn Cover Left
-	OK62-01007-0001	1	Bullhorn Cover Right
-	OK62-01012-0000	1	Front Outside Deadshaft Cover
-	OK62-01009-0000	1	Front Inside Deadshaft Cover
-	OK62-01010-0000	1	Right Inside Deadshaft Cover
-	AK62-00123-0000	1	Console Support
-	OK62-01030-0001	1	Console Support Cap
-	OK62-01013-0000	1	Rear Outside Deadshaft Cover
-	OK62-01023-0001	1	Console Support Shroud

Crank Arm Pulley Assembly



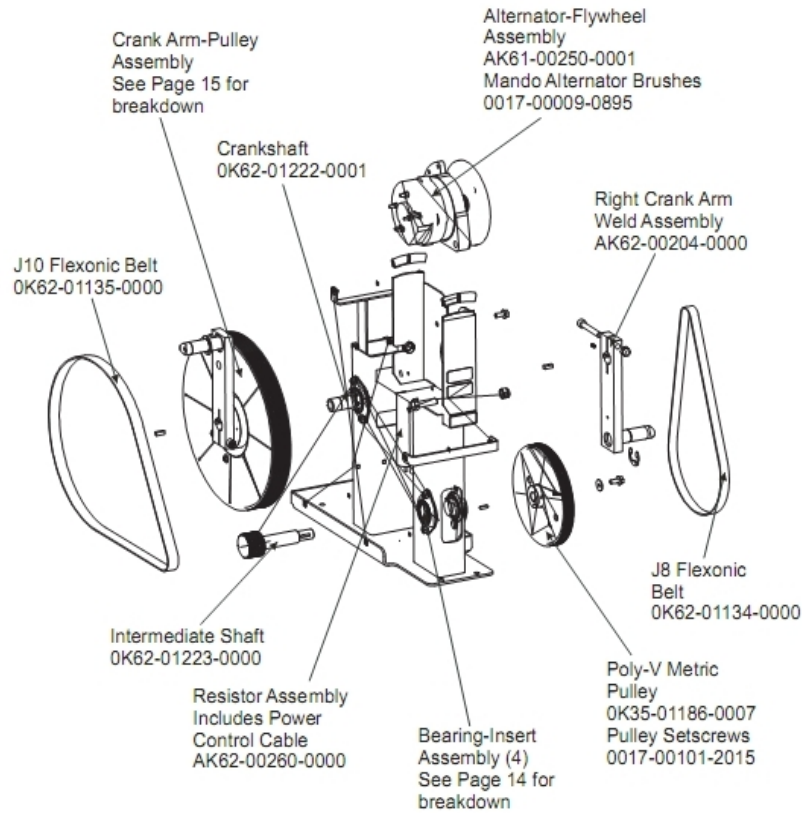
Ref #	Part Number	Qty	Description
-	0K61-02409-0000	1	Poly-V Crank Pulley
-	0017-00103-0334	1	Hardware: Nut 10 MM
-	0K61-02302-0001	1	Crankshaft Plate
-	0017-00101-1834	4	Hardware: Screw 24MM
-	0017-00100-0107	1	Hardware: E-Ring 1"
-	0017-00101-1860	1	Hardware: Crankarm Bolt 65MM
-	0017-00104-0144	1	Hardware: Washer 0.625" OD
-	0017-00101-1835	1	Hardware: Screw 10MM
-	AK62-00186-0000	1	Magnet-Standoff Assembly
-	AK62-00205-0000	1	Crankarm

Crank Cover and Lower Caps



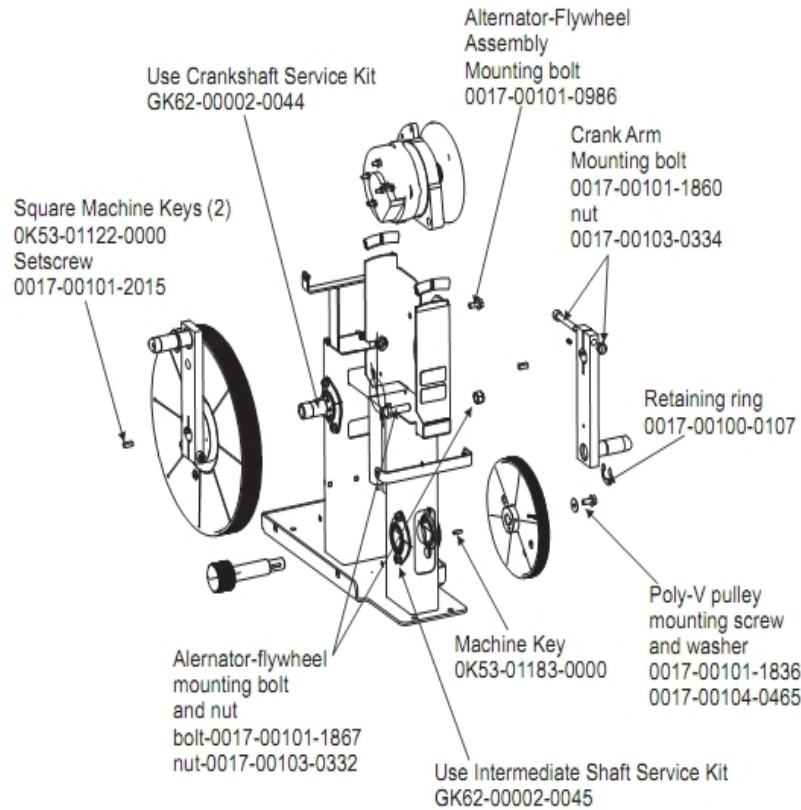
Ref #	Part Number	Qty	Description
-	OK68-01130-0200	4	CAP; STABILIZER; SHADOW GREY
-	0017-00101-1837	2	Hardware: Screw 18MM
-	OK62-01004-0002	1	Front frame Cap
-	0017-00101-1795	2	Hardware: Mounting Screw
-	OK61-03100-0002	1	Crank Cover

Drive Module



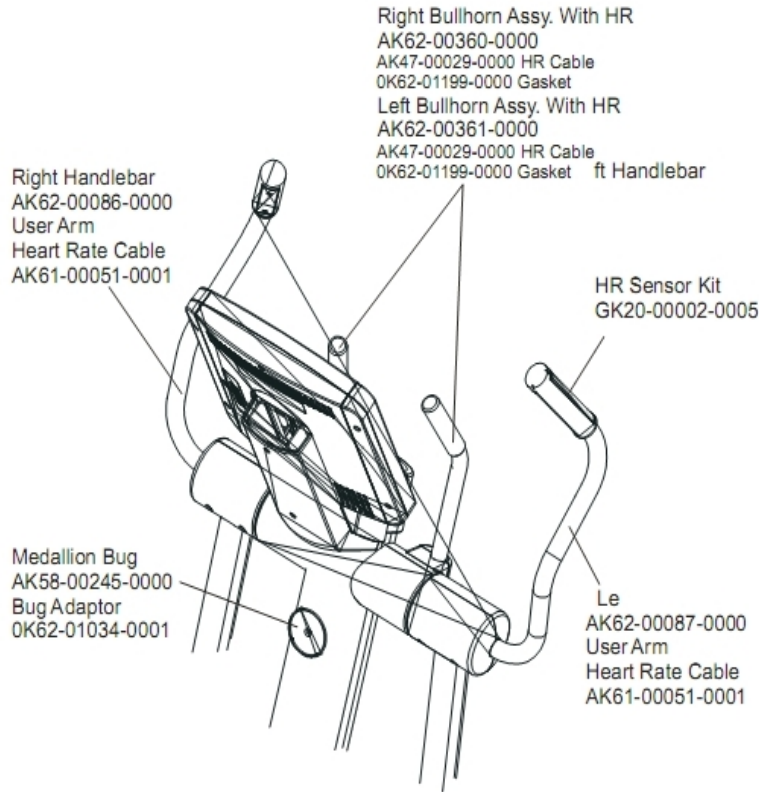
Ref #	Part Number	Qty	Description
-	0K62-01134-0000	1	Flexonic Belt
-	0K62-01135-0000	1	Drive Belt
-	0K62-01222-0001	1	Crankshaft
-	0017-00009-0895	1	Alternator Brush Kit
-	AK62-00204-0000	1	Right Crankarm
-	0K35-01186-0007	1	Poly-V Pulley
-	0K62-01223-0000	1	Intermediate Shaft
-	AK62-00260-0000	1	Resistor Assembly
-	AK61-00250-0001	1	Alternator w/Flywheel
-	0017-00101-2015	2	Hardware: Pulley Set Screw 15 MM

Drive Module Hardware



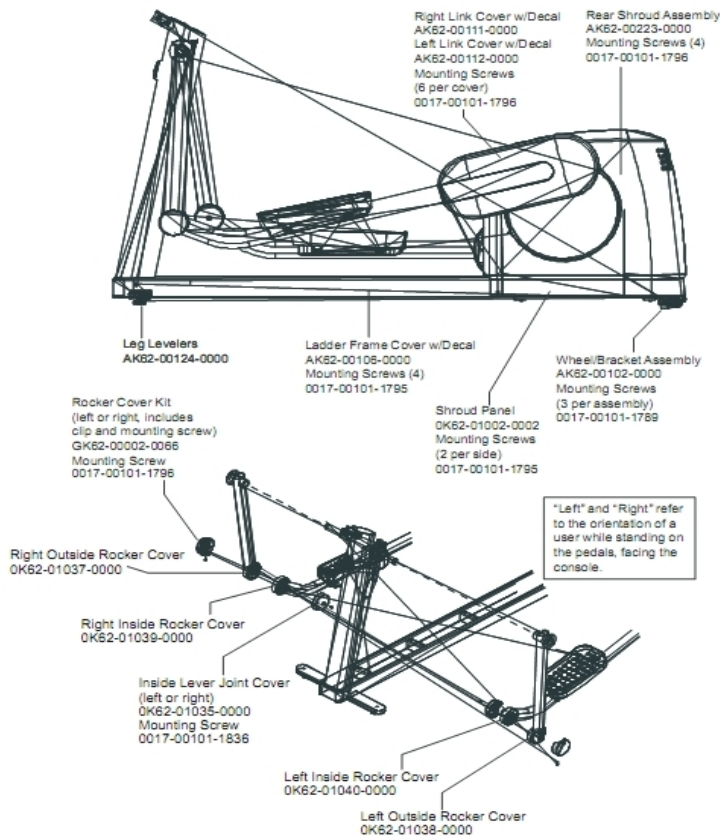
Ref #	Part Number	Qty	Description
-	GK62-00002-0044	1	Crankshaft Bearing Kit
-	0017-00104-0465	1	Hardware: Flat Washer 23MM OD
-	OK53-01122-0000	2	Square Key
-	OK53-01183-0000	1	Hex key
-	0017-00103-0334	1	Hardware: Nut 10 MM
-	0017-00101-2015	1	Hardware: Pulley Set Screw 15 MM
-	0017-00101-0986	1	Hardware: Bolt 0.75"
-	GK62-00002-0045	1	Intermediate Shaft Bearing Kit
-	0017-00101-1867	1	Hardware: Mounting Bolt 45 MM
-	0017-00100-0107	1	Hardware: E-Ring 1"
-	0017-00103-0332	1	Hardware: Mounting Nut
-	0017-00101-1860	1	Hardware: Crankarm Bolt 65MM
-	0017-00101-1836	1	Hardware: Screw 10 MM

Handlebars and Bullhorns



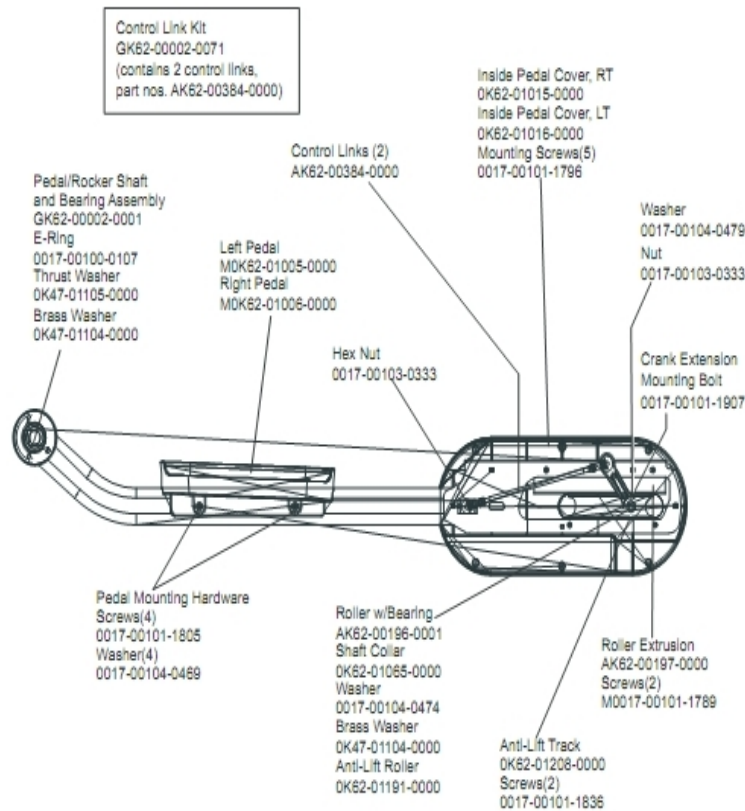
Ref #	Part Number	Qty	Description
-	OK62-01199-0000	2	Bullhorn Gasket
-	OK62-01034-0001	1	Bug Adaptor
-	AK62-00360-0000	1	Right Bullhorn
-	AK58-00245-0000	1	Bug Medallion
-	AK62-00087-0000	1	Handlebar: Left
-	AK62-00361-0000	1	Left Bullhorn
-	AK47-00029-0000	2	Lifepulse Cable
-	AK62-00086-0000	1	Handlebar: Right
-	AK61-00051-0001	2	Lifepulse: User-Arm
-	GK20-00002-0005	1	Heart Rate Electrode Kit

Lower Frame Shrouds and Hardware



Ref #	Part Number	Qty	Description
-	AK62-00111-0000	1	Link Cover with Decal: Right
-	AK62-00124-0000	2	Leg Leveler
-	OK62-01038-0000	1	Left Inside Rocker Cover
-	OK62-01037-0000	1	
-	AK62-00112-0000	1	Link Cover with Decal: Left
-	GK62-00002-0066	1	Rocker Cover Kit
-	0017-00101-1796	6	Hardware: Mounting Screw
-	0017-00101-1836	1	Hardware: Screw 10 MM
-	AK62-00102-0000	2	Wheel/Bracket Assembly
-	AK62-00223-0000	1	Rear Shroud Assembly
-	OK62-01002-0003	1	Shroud Panel
-	0017-00101-1789	6	Hardware: Mounting Screws
-	OK62-01039-0000	1	Right Inside Lever Joint Cover
-	0017-00101-1796	11	Hardware: Mounting Screw 19 MM
-	OK62-01040-0000	1	Left Inside Lever Joint Cover
-	AK62-00106-0001	1	Ladder Frame Cover with Decal
-	OK62-01035-0000	1	Inside Lever Joint Cover

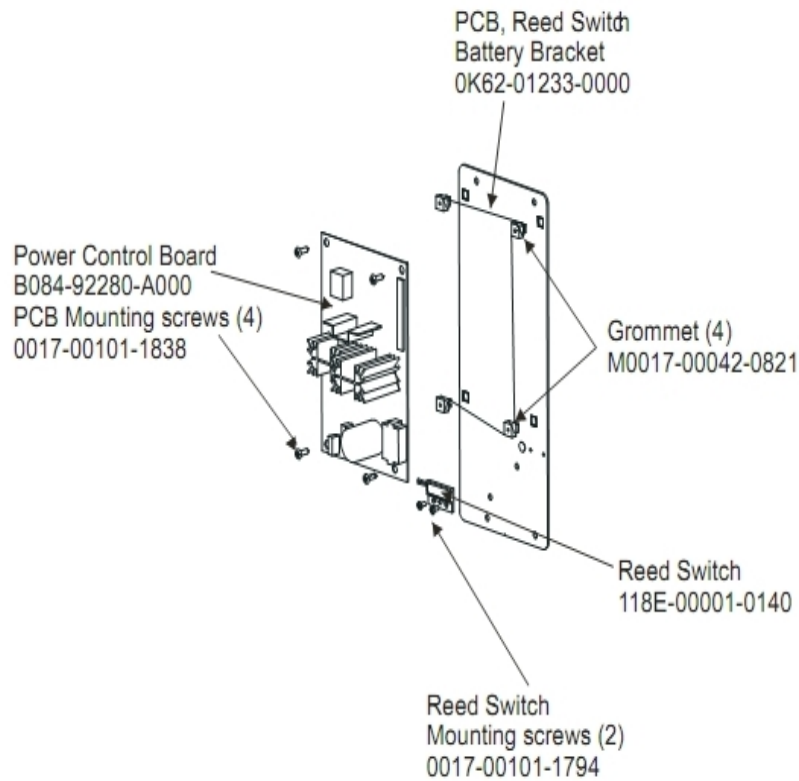
Pedal Lever Assembly Components



Ref #	Part Number	Qty	Description
-	0017-00103-0333	4	Hardware: Hex Nut
-	0017-00101-1805	8	Hardware: TORX Screw 25 MM
-	0017-00101-1907	2	Hardware: Crank Extension Mounting Bolt
-	0017-00104-0469	8	Hardware: Flat Washer 16MM OD
-	0017-00101-1836	4	Hardware: Screw 10 MM
-	0017-00104-0479	2	Hardware: Flat Washer 25.4MM OD
-	OK62-01015-0000	2	Inside Pedal Cover Right
-	OK62-01065-0000	2	Shaft Collar
-	OK47-01104-0000	4	Hardware: Thrust Washer
-	0017-00100-0107	2	Hardware: E-Ring 1"
-	AK62-00196-0001	2	Roller with Bearing
-	AK62-00197-0000	2	Roller Extrusion
-	GK62-00002-0001	2	Pedal/Rocker Shaft and Bearings
-	GK62-00002-0071	6	Control Link Kit
-	MOK62-01005-0000	1	Left Pedal
-	M0017-00101-1789	4	Hardware: Screw
-	MOK62-01006-0000	1	Right Pedal
-	OK62-01016-0000	2	Inside Pedal Cover Left
-	OK62-01208-0000	2	Anti-Lift Track
-	0017-00101-1796	10	Hardware: Mounting Screw 19 MM
-	0017-00104-0474	2	Hardware: Washer
-	OK47-01105-0000	2	Hardware: Hardened Thrust Washer

Ref #	Part Number	Qty	Description
-	0K62-01191-0000	2	Anti-Lift Roller

PCB, Battery, Reed Switch and Bracket

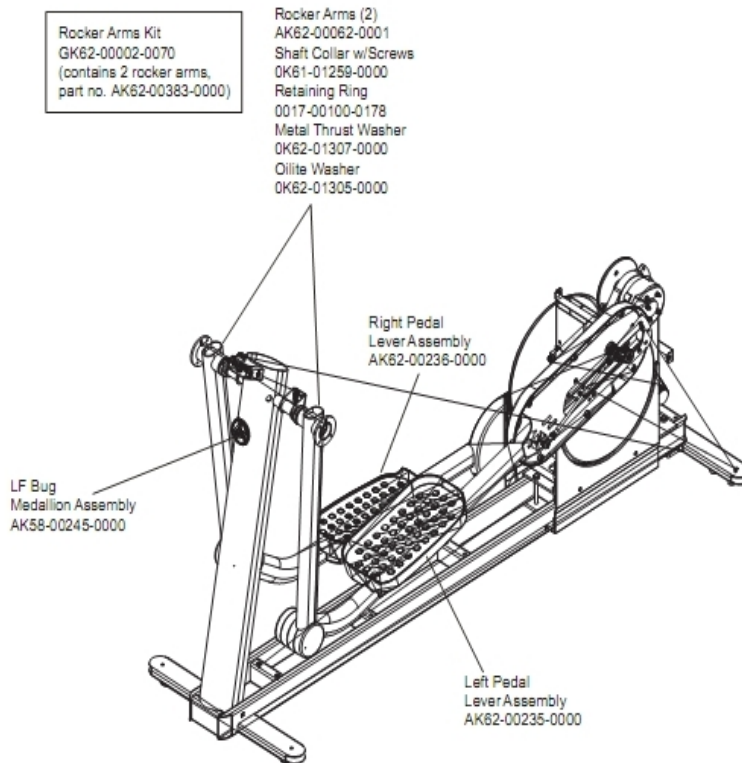


Ref #	Part Number	Qty	Description
-	0K62-01233-0000	1	PCB Reed Switch Battery Bracket
-	0017-00042-0821	4	Hardware: Plastic Grommet
-	118E-00001-0140	1	Reed Switch SPDT
-	0017-00101-1838	4	Hardware: Mounting Screw 19 MM
-	0017-00101-1794	2	Hardware: Screw 10MM
-	B084-92280-A000	1	Power Control Board

References

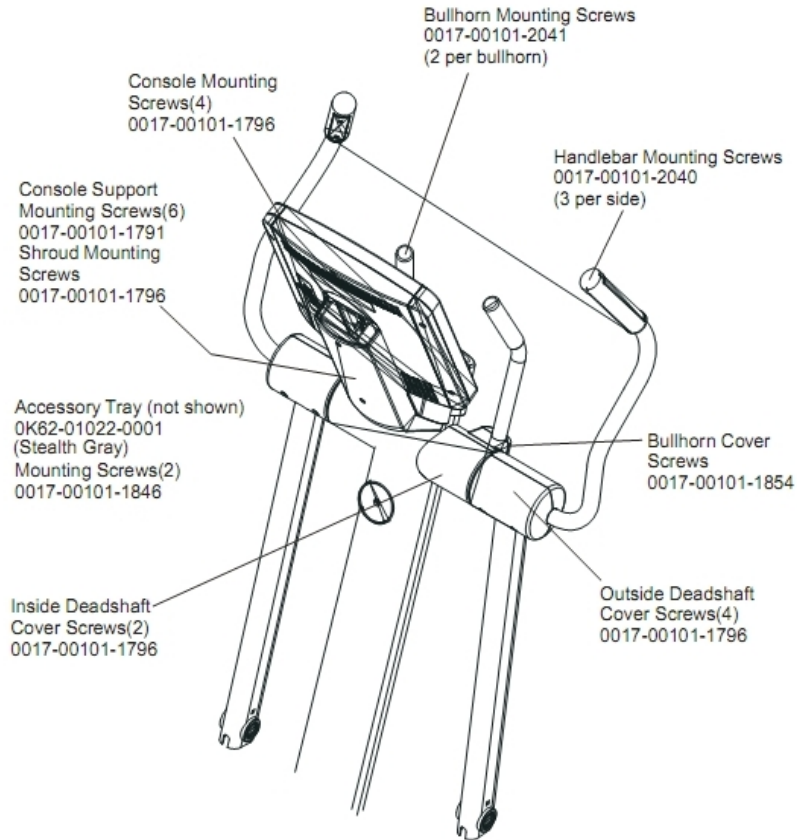
Ref #	Part Number	Qty	Description
-	AK32-00075-0004	1	DC Power Cable
-	0017-00021-2846	1	F-Type Panel Connector
-	AK32-00020-0000	1	68" COAX CABLE
-	0K62-01179-0000	1	Bracket: Access Panel C
-	118E-00001-0161	1	Power Supply 12V 4.5A Without Line Cord
-	0017-00008-0206	1	.33oz Pen - Arctic Silver
-	0017-00003-0704	1	Line Cord 10A 125 V
-	AK62-00172-0000	1	Access Panel
-	0017-00008-0204	1	Paint Spray Can - Arctic Silver
-	AK62-00152-0001	1	Hardware Bag
-	0017-00008-0205	1	5 oz Bottle - Arctic Silver

Rocker Arms and Pedal Levers



Ref #	Part Number	Qty	Description
-	0017-00100-0178	1	Hardware: Retaining Ring 1.25"
-	AK58-00245-0000	1	Bug Medallion
-	AK62-00235-0000	1	Left Pedal Lever Assembly
-	OK62-01305-0000	1	Oilite Bearing
-	OK62-01307-0000	1	Hardware: Spacer
-	GK62-00002-0070	3	Rocker Arm Kit
-	OK61-01259-0000	2	Shaft Split Collar
-	AK62-00236-0000	1	Right Pedal Lever Assembly

Upper Frame Hardware



Ref #	Part Number	Qty	Description
-	0017-00101-1796	11	Hardware: Mounting Screw 19 MM
-	M0017-00101-1791	6	Hardware: Mounting Screw
-	0017-00101-2041	4	Hardware: Bullhorn Mounting Screw
-	0017-00101-2040	6	Hardware: Handlebar Mounting Screw
-	0017-00101-1854	2	Hardware: Bullhorn Cover Screw 44MM
-	0017-00101-1846	4	Hardware: Phillips Pan Screw 10 MM
-	0K62-01022-0001	1	Accessory Tray

