

95Xe Cross-Trainer w/Integrated LCD screen

95XE-0120-04

Parts Manual

1/5/2019 11:34:56 AM



Table of Contents

| | |
|---|----|
| Bearing Insert Assembly | 3 |
| Cables | 4 |
| Complete Console Assembly | 5 |
| Console Components | 6 |
| Console Support and Deadshaft Covers | 7 |
| Crank Arm Pulley Assembly | 8 |
| Crank Cover and Lower Caps | 9 |
| Drive Module | 10 |
| Drive Module Hardware | 11 |
| Handlebars and Bullhorns | 12 |
| Lower Frame Shrouds and Hardware | 13 |
| Pedal Lever Assembly Components | 14 |
| PCB, Battery, Reed Switch and Bracket | 16 |
| References | 17 |
| Rocker Arms and Pedal Levers | 18 |
| Upper Frame Hardware | 19 |

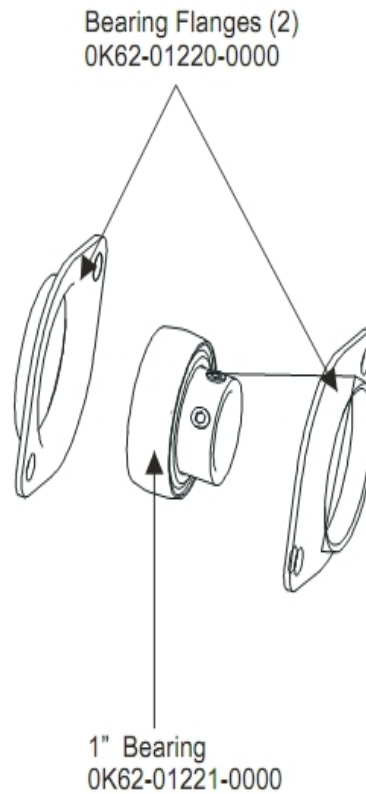
Bearing Insert Assembly

Service Kit-
MGK62-00002-0044
Includes:

- 1 - crankshaft
- 2 - bearings
- 2 - sets of bearing flanges
- 4 - weldnuts and flat washers
- 4 - bolts

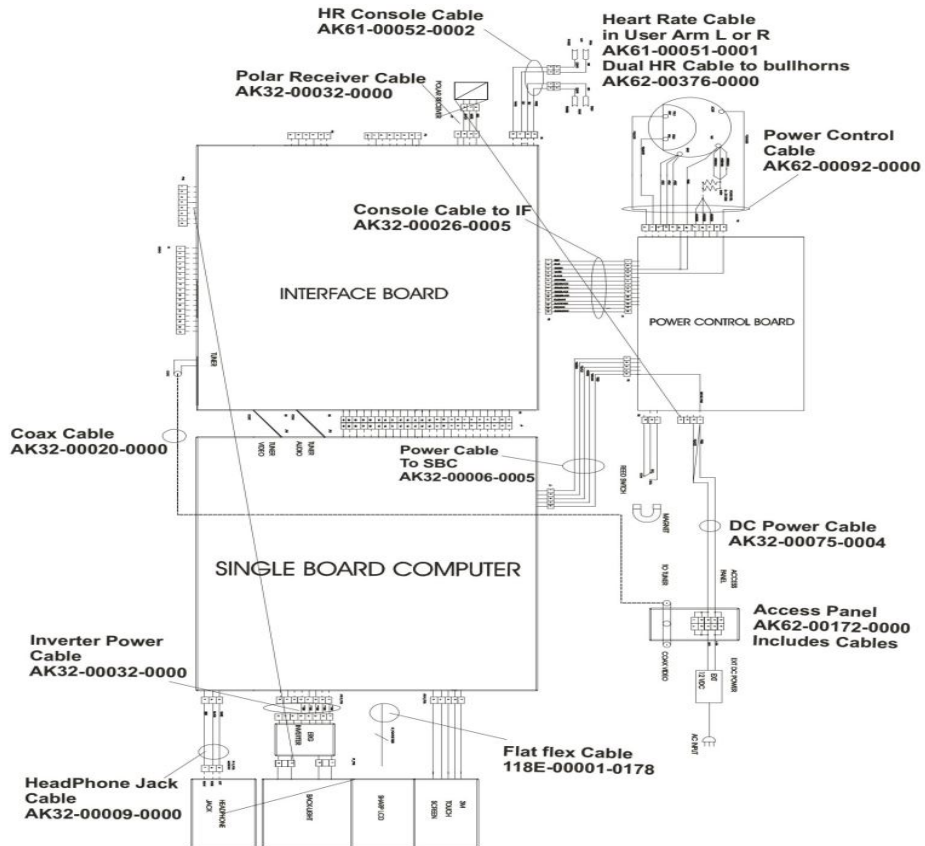
Service Kit- GK62-00002-0045
Includes:

- 1 - intermediate shaft
- 2 - bearings
- 2 - sets of bearing flanges
- 4 - weldnuts and flat washers
- 4 - bolts



| Ref # | Part Number | Qty | Description |
|-------|-----------------|-----|--------------------------------|
| - | GK62-00002-0044 | 1 | Crankshaft Bearing Kit |
| - | 0K62-01221-0000 | 1 | 1" Bearing |
| - | GK62-00002-0045 | 1 | Intermediate Shaft Bearing Kit |
| - | 0K62-01220-0000 | 2 | Bearing Flange |

Cables

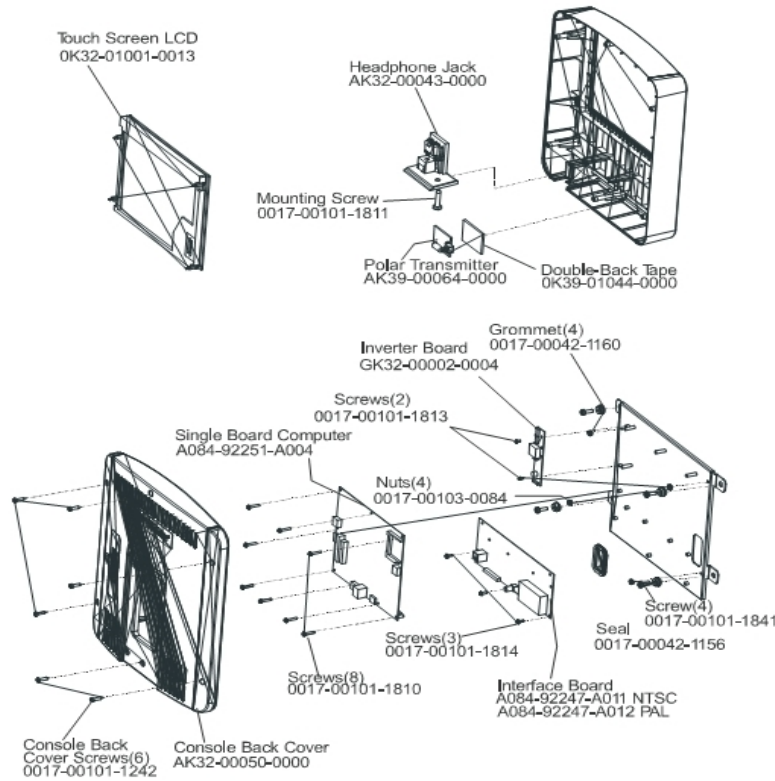


| Ref # | Part Number | Qty | Description |
|-------|-----------------|-----|----------------------------|
| - | AK61-00052-0002 | 1 | Lifepulse Sensor Cable |
| - | AK32-00009-0000 | 1 | Headphone Jack Cable |
| - | AK61-00051-0001 | 1 | Lifepulse: User-Arm |
| - | AK62-00092-0000 | 1 | Power Control Cable |
| - | AK32-00020-0000 | 1 | 68" COAX CABLE |
| - | AK32-00075-0004 | 1 | DC Power Cable |
| - | AK32-00032-0000 | 2 | Inverter Cable |
| - | AK32-00006-0005 | 1 | Power Cable to SBC |
| - | AK62-00172-0000 | 1 | Access Panel |
| - | AK62-00376-0000 | 1 | Dual HR Cable to bullhorns |
| - | 118E-00001-0178 | 1 | Flat Flex Cable |

Complete Console Assembly

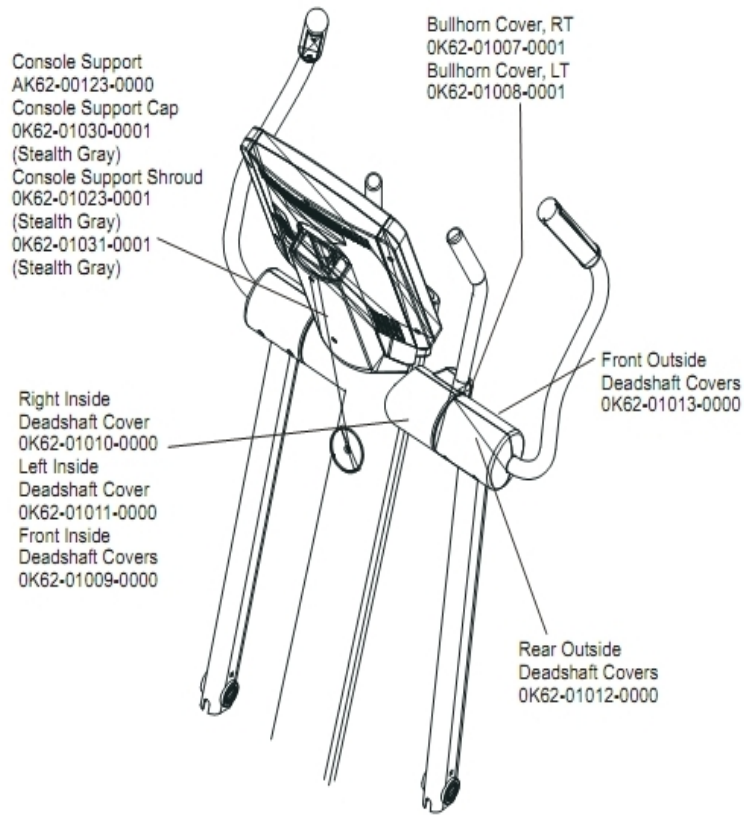
| Ref # | Part Number | Qty | Description |
|-------|-----------------|-----|-------------------------------|
| - | AK62-00369-0001 | 1 | Console Assembly NTSC English |

Console Components



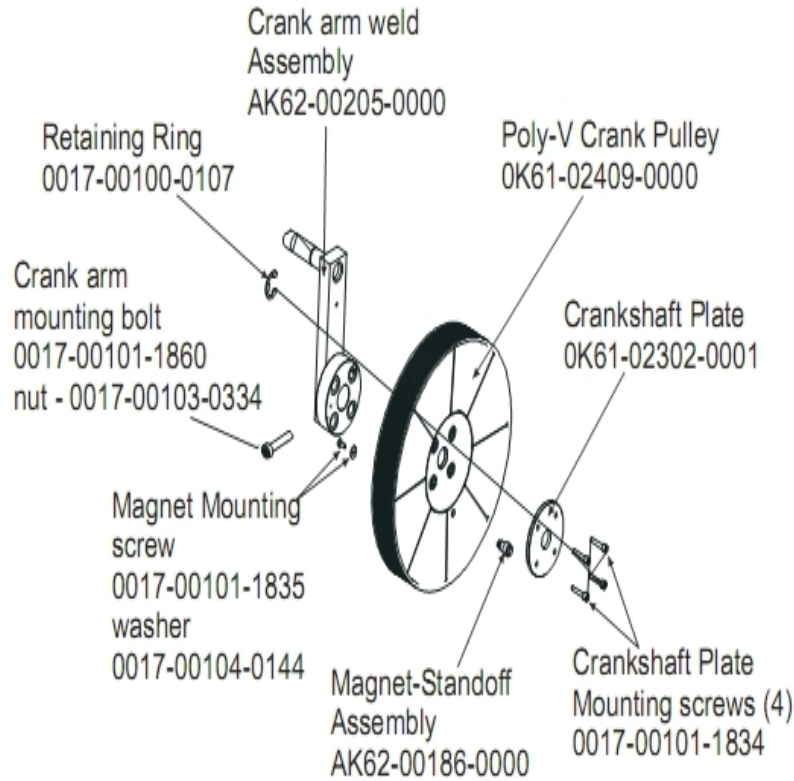
| Ref # | Part Number | Qty | Description |
|-------|-----------------|-----|-------------------------------------|
| - | 0017-00101-1242 | 6 | Hardware: Phillips Pan Screw 0.75" |
| - | 0017-00103-0084 | 4 | Hardware: Nut |
| - | 0017-00101-1813 | 2 | Hardware: Inverter Board Screw |
| - | 0K32-01001-0013 | 1 | LCD Touchscreen Assembly |
| - | 0K32-01001-0013 | 1 | LCD Touchscreen Assembly |
| - | 0K32-01001-0013 | 1 | LCD Touchscreen Assembly |
| - | 0K32-01001-0013 | 1 | LCD Touchscreen Assembly |
| - | 118E-00001-0259 | 1 | Wireless Receiver Module, Non-Coded |
| - | 0017-00101-1810 | 10 | Hardware: Screw |
| - | A084-92247-A011 | 1 | Interface Boards NTSC |
| - | 0017-00101-1814 | 3 | Hardware: Screw |
| - | 0017-00101-1841 | 4 | Hardware: Screw |
| - | GK32-00002-0004 | 1 | Inverter Board |
| - | 0017-00042-1160 | 4 | Grommet |
| - | 0017-00101-1811 | 1 | Hardware: Phillips Pan Screw 0.625" |
| - | 0K39-01044-0000 | 1 | Tape |
| - | 0017-00042-1156 | 1 | Edge Trim |
| - | A084-92251-A004 | 1 | Single Board Computer |
| - | AK32-00050-0000 | 1 | Console Back Cover |
| - | AK32-00043-0000 | 1 | Headphone Jack |

Console Support and Deadshaft Covers



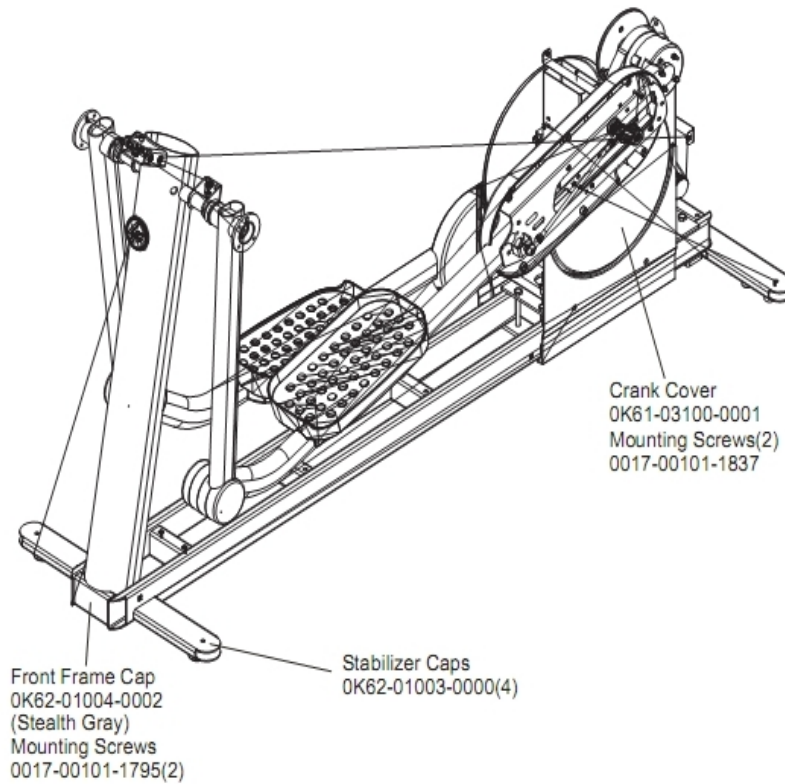
| Ref # | Part Number | Qty | Description |
|-------|-----------------|-----|-------------------------------|
| - | OK62-01031-0001 | 1 | Cap |
| - | OK62-01011-0000 | 1 | Left Inside Deadshaft Cover |
| - | OK62-01008-0001 | 1 | Bullhorn Cover Left |
| - | OK62-01007-0001 | 1 | Bullhorn Cover Right |
| - | OK62-01012-0000 | 1 | Front Outside Deadshaft Cover |
| - | OK62-01009-0000 | 1 | Front Inside Deadshaft Cover |
| - | OK62-01010-0000 | 1 | Right Inside Deadshaft Cover |
| - | AK62-00123-0000 | 1 | Console Support |
| - | OK62-01030-0001 | 1 | Console Support Cap |
| - | OK62-01013-0000 | 1 | Rear Outside Deadshaft Cover |
| - | OK62-01023-0001 | 1 | Console Support Shroud |

Crank Arm Pulley Assembly



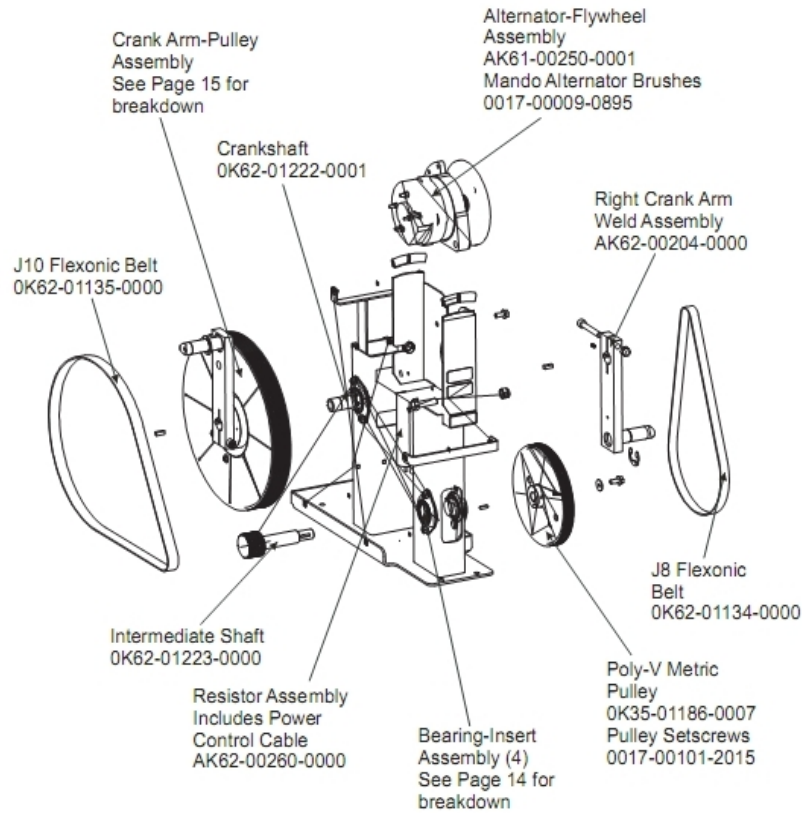
| Ref # | Part Number | Qty | Description |
|-------|-----------------|-----|------------------------------|
| - | 0K61-02409-0000 | 1 | Poly-V Crank Pulley |
| - | 0017-00103-0334 | 1 | Hardware: Nut 10 MM |
| - | 0K61-02302-0001 | 1 | Crankshaft Plate |
| - | 0017-00101-1834 | 4 | Hardware: Screw 24MM |
| - | 0017-00100-0107 | 1 | Hardware: E-Ring 1" |
| - | 0017-00101-1860 | 1 | Hardware: Crankarm Bolt 65MM |
| - | 0017-00104-0144 | 1 | Hardware: Washer 0.625" OD |
| - | 0017-00101-1835 | 1 | Hardware: Screw 10MM |
| - | AK62-00186-0000 | 1 | Magnet-Standoff Assembly |
| - | AK62-00205-0000 | 1 | Crankarm |

Crank Cover and Lower Caps



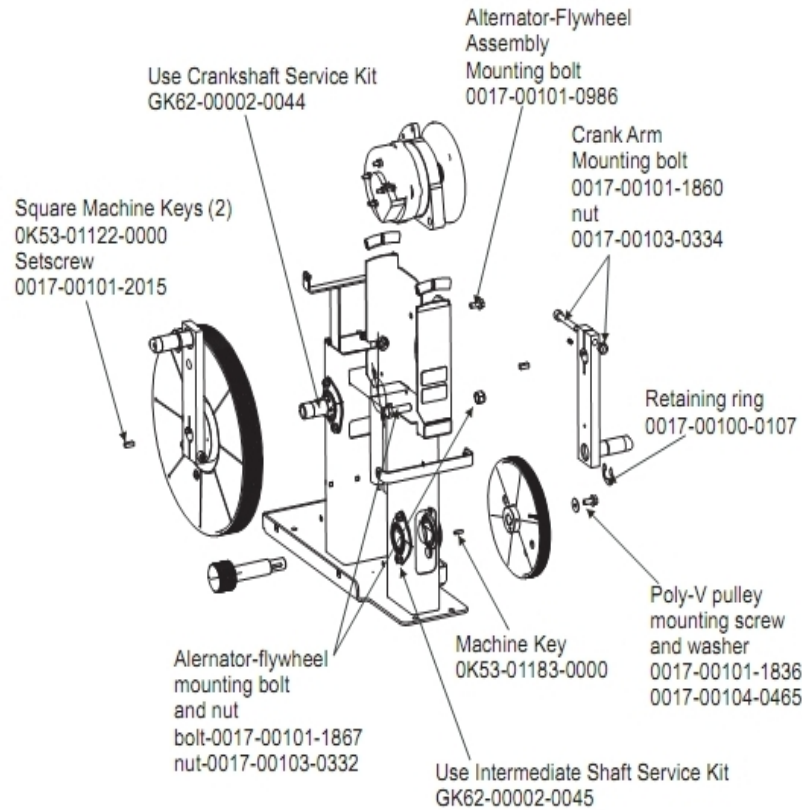
| Ref # | Part Number | Qty | Description |
|-------|-----------------|-----|------------------------------|
| - | OK68-01130-0200 | 4 | CAP; STABILIZER; SHADOW GREY |
| - | 0017-00101-1837 | 2 | Hardware: Screw 18MM |
| - | OK62-01004-0002 | 1 | Front frame Cap |
| - | 0017-00101-1795 | 2 | Hardware: Mounting Screw |
| - | OK61-03100-0002 | 1 | Crank Cover |

Drive Module



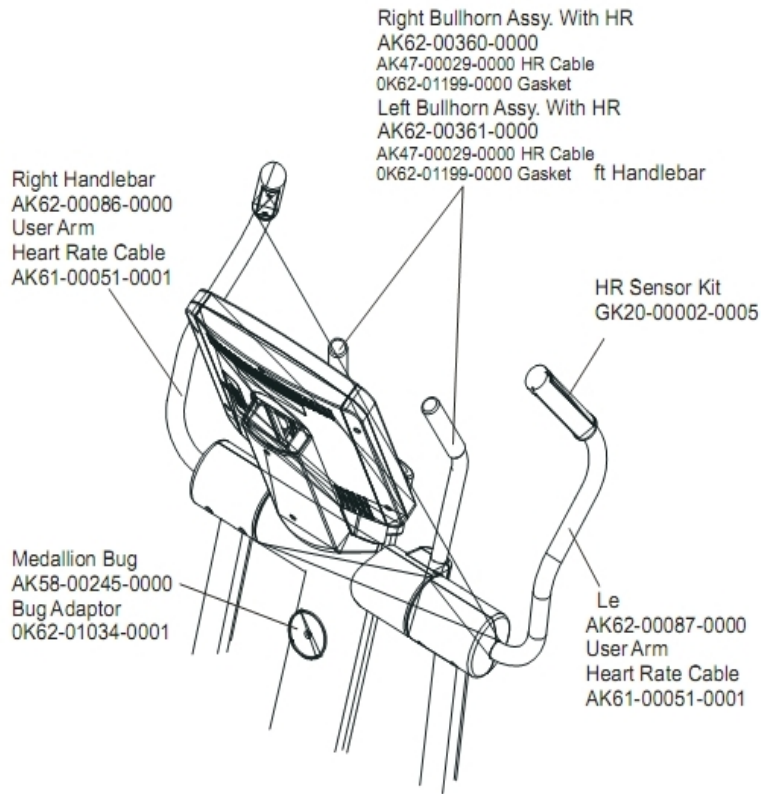
| Ref # | Part Number | Qty | Description |
|-------|-----------------|-----|----------------------------------|
| - | OK62-01134-0000 | 1 | Flexonic Belt |
| - | OK62-01135-0000 | 1 | Drive Belt |
| - | OK62-01222-0001 | 1 | Crankshaft |
| - | 0017-00009-0895 | 1 | Alternator Brush Kit |
| - | AK62-00204-0000 | 1 | Right Crankarm |
| - | OK35-01186-0007 | 1 | Poly-V Pulley |
| - | OK62-01223-0000 | 1 | Intermediate Shaft |
| - | AK62-00260-0000 | 1 | Resistor Assembly |
| - | AK61-00250-0001 | 1 | Alternator w/Flywheel |
| - | 0017-00101-2015 | 2 | Hardware: Pulley Set Screw 15 MM |

Drive Module Hardware



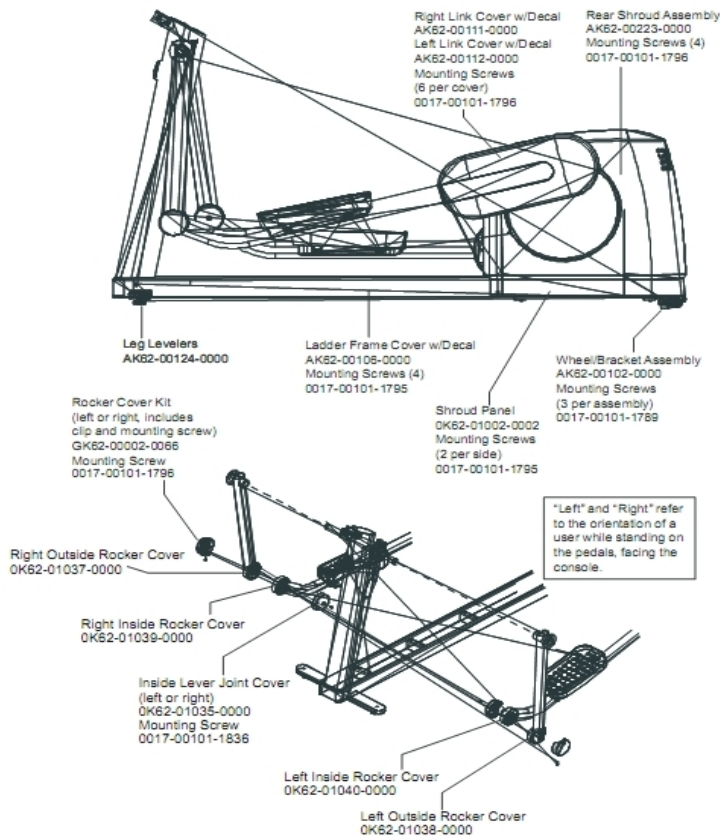
| Ref # | Part Number | Qty | Description |
|-------|-----------------|-----|----------------------------------|
| - | GK62-00002-0044 | 1 | Crankshaft Bearing Kit |
| - | 0017-00104-0465 | 1 | Hardware: Flat Washer 23MM OD |
| - | OK53-01122-0000 | 2 | Square Key |
| - | OK53-01183-0000 | 1 | Hex key |
| - | 0017-00103-0334 | 1 | Hardware: Nut 10 MM |
| - | 0017-00101-2015 | 1 | Hardware: Pulley Set Screw 15 MM |
| - | 0017-00101-0986 | 1 | Hardware: Bolt 0.75" |
| - | GK62-00002-0045 | 1 | Intermediate Shaft Bearing Kit |
| - | 0017-00101-1867 | 1 | Hardware: Mounting Bolt 45 MM |
| - | 0017-00100-0107 | 1 | Hardware: E-Ring 1" |
| - | 0017-00103-0332 | 1 | Hardware: Mounting Nut |
| - | 0017-00101-1860 | 1 | Hardware: Crankarm Bolt 65MM |
| - | 0017-00101-1836 | 1 | Hardware: Screw 10 MM |

Handlebars and Bullhorns



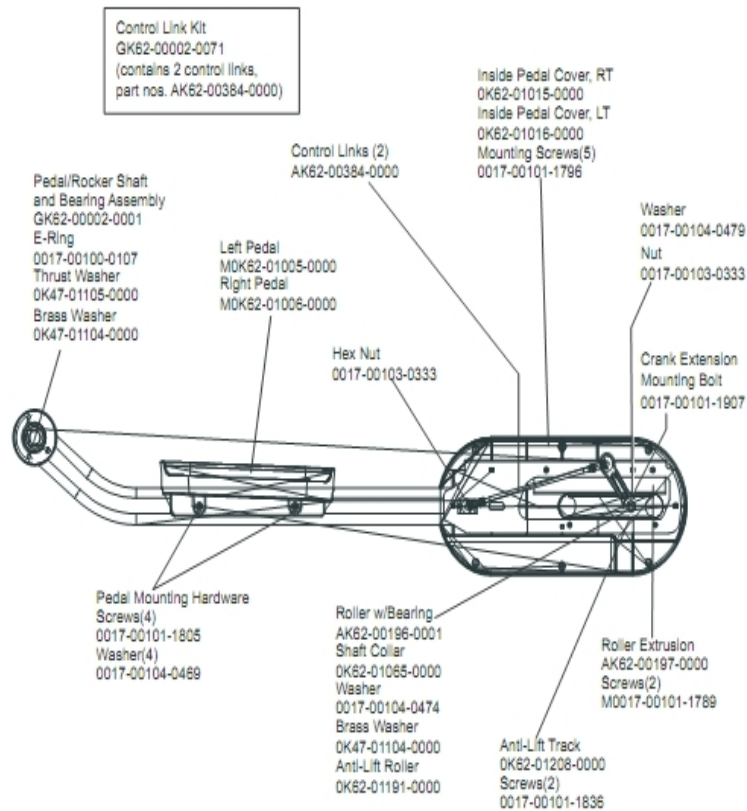
| Ref # | Part Number | Qty | Description |
|-------|-----------------|-----|--------------------------|
| - | OK62-01199-0000 | 2 | Bullhorn Gasket |
| - | OK62-01034-0001 | 1 | Bug Adaptor |
| - | AK62-00360-0000 | 1 | Right Bullhorn |
| - | AK58-00245-0000 | 1 | Bug Medallion |
| - | AK62-00087-0000 | 1 | Handlebar: Left |
| - | AK62-00361-0000 | 1 | Left Bullhorn |
| - | AK47-00029-0000 | 2 | Lifepulse Cable |
| - | AK62-00086-0000 | 1 | Handlebar: Right |
| - | AK61-00051-0001 | 2 | Lifepulse: User-Arm |
| - | GK20-00002-0005 | 1 | Heart Rate Electrode Kit |

Lower Frame Shrouds and Hardware



| Ref # | Part Number | Qty | Description |
|-------|-----------------|-----|--------------------------------|
| - | AK62-00111-0000 | 1 | Link Cover with Decal: Right |
| - | AK62-00124-0000 | 2 | Leg Leveler |
| - | OK62-01038-0000 | 1 | Left Inside Rocker Cover |
| - | OK62-01037-0000 | 1 | |
| - | AK62-00112-0000 | 1 | Link Cover with Decal: Left |
| - | GK62-00002-0066 | 1 | Rocker Cover Kit |
| - | 0017-00101-1836 | 1 | Hardware: Screw 10 MM |
| - | 0017-00101-1796 | 6 | Hardware: Mounting Screw |
| - | AK62-00102-0000 | 2 | Wheel/Bracket Assembly |
| - | AK62-00223-0000 | 1 | Rear Shroud Assembly |
| - | OK62-01002-0003 | 1 | Shroud Panel |
| - | 0017-00101-1789 | 6 | Hardware: Mounting Screws |
| - | OK62-01039-0000 | 1 | Right Inside Lever Joint Cover |
| - | 0017-00101-1796 | 11 | Hardware: Mounting Screw 19 MM |
| - | OK62-01040-0000 | 1 | Left Inside Lever Joint Cover |
| - | AK62-00106-0001 | 1 | Ladder Frame Cover with Decal |
| - | OK62-01035-0000 | 1 | Inside Lever Joint Cover |

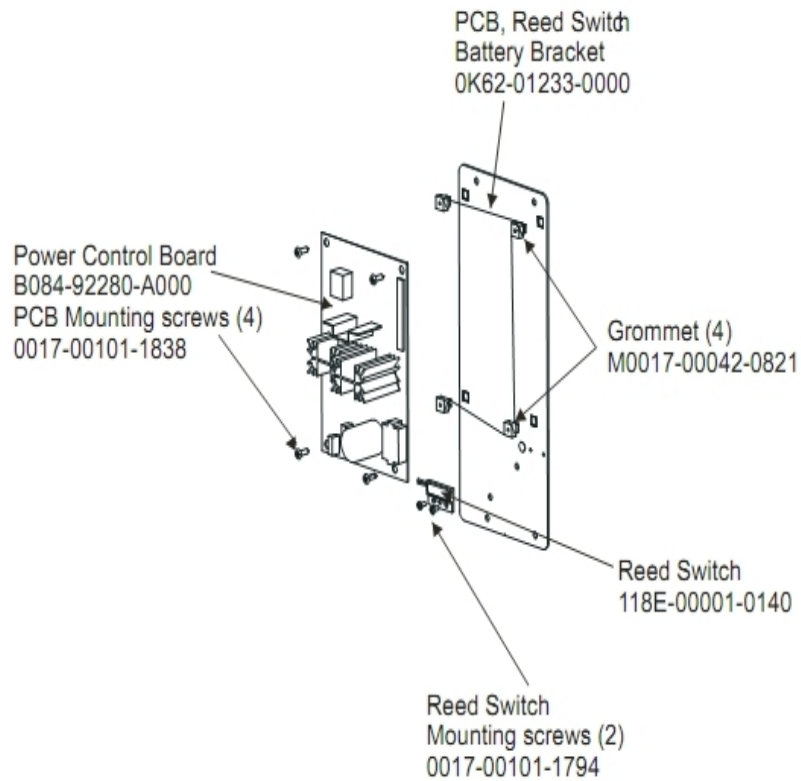
Pedal Lever Assembly Components



| Ref # | Part Number | Qty | Description |
|-------|------------------|-----|---|
| - | 0017-00103-0333 | 4 | Hardware: Hex Nut |
| - | 0017-00101-1805 | 8 | Hardware: TORX Screw 25 MM |
| - | 0017-00101-1907 | 2 | Hardware: Crank Extension Mounting Bolt |
| - | 0017-00104-0469 | 8 | Hardware: Flat Washer 16MM OD |
| - | 0017-00101-1836 | 4 | Hardware: Screw 10 MM |
| - | 0017-00104-0479 | 2 | Hardware: Flat Washer 25.4MM OD |
| - | OK62-01015-0000 | 2 | Inside Pedal Cover Right |
| - | OK62-01065-0000 | 2 | Shaft Collar |
| - | OK47-01104-0000 | 4 | Hardware: Thrust Washer |
| - | 0017-00100-0107 | 2 | Hardware: E-Ring 1" |
| - | AK62-00196-0001 | 2 | Roller with Bearing |
| - | AK62-00197-0000 | 2 | Roller Extrusion |
| - | GK62-00002-0001 | 2 | Pedal/Rocker Shaft and Bearings |
| - | GK62-00002-0071 | 6 | Control Link Kit |
| - | MOK62-01005-0000 | 1 | Left Pedal |
| - | M0017-00101-1789 | 4 | Hardware: Screw |
| - | MOK62-01006-0000 | 1 | Right Pedal |
| - | OK62-01016-0000 | 2 | Inside Pedal Cover Left |
| - | OK62-01208-0000 | 2 | Anti-Lift Track |
| - | 0017-00101-1796 | 10 | Hardware: Mounting Screw 19 MM |
| - | 0017-00104-0474 | 2 | Hardware: Washer |
| - | OK47-01105-0000 | 2 | Hardware: Hardened Thrust Washer |

| Ref # | Part Number | Qty | Description |
|--------------|--------------------|------------|--------------------|
| - | 0K62-01191-0000 | 2 | Anti-Lift Roller |

PCB, Battery, Reed Switch and Bracket

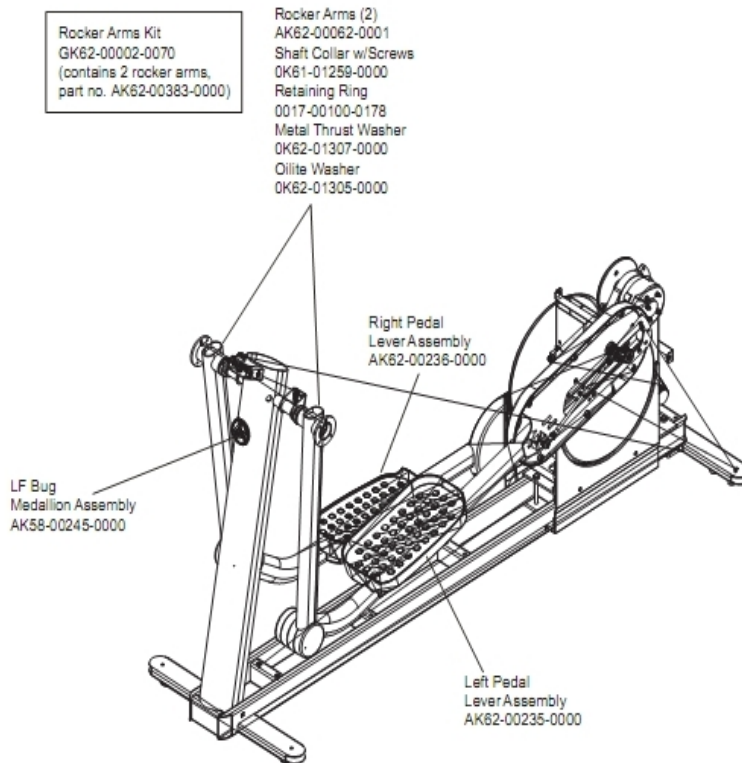


| Ref # | Part Number | Qty | Description |
|-------|-----------------|-----|---------------------------------|
| - | 0K62-01233-0000 | 1 | PCB Reed Switch Battery Bracket |
| - | 0017-00042-0821 | 4 | Hardware: Plastic Grommet |
| - | 118E-00001-0140 | 1 | Reed Switch SPDT |
| - | 0017-00101-1838 | 4 | Hardware: Mounting Screw 19 MM |
| - | 0017-00101-1794 | 2 | Hardware: Screw 10MM |
| - | B084-92280-A000 | 1 | Power Control Board |

References

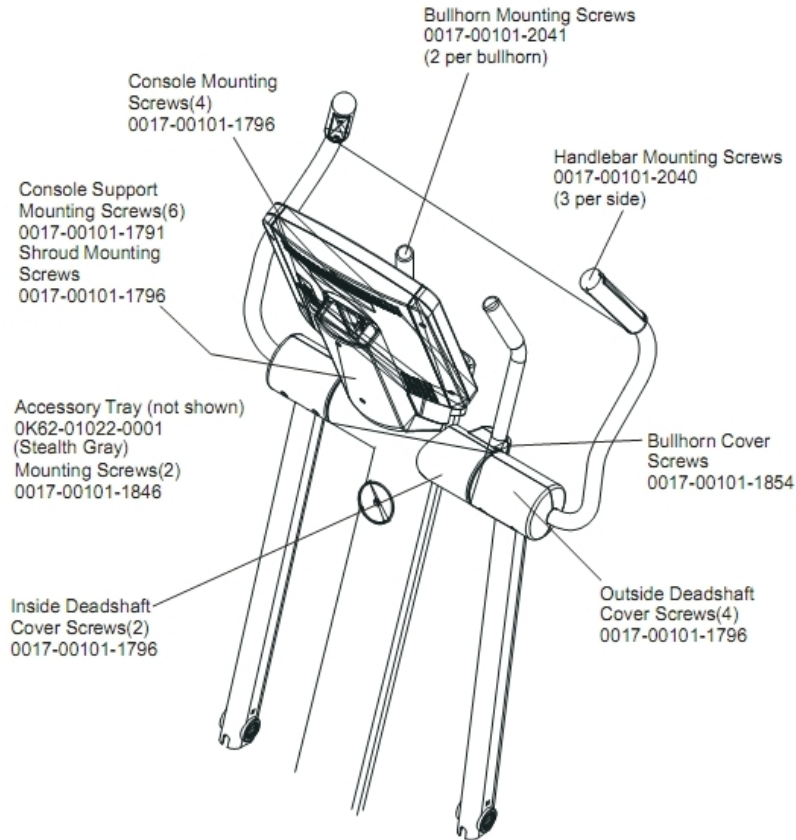
| Ref # | Part Number | Qty | Description |
|-------|-----------------|-----|---|
| - | AK32-00075-0004 | 1 | DC Power Cable |
| - | 0017-00021-2846 | 1 | F-Type Panel Connector |
| - | AK32-00020-0000 | 1 | 68" COAX CABLE |
| - | 0K62-01179-0000 | 1 | Bracket: Access Panel C |
| - | 118E-00001-0161 | 1 | Power Supply 12V 4.5A Without Line Cord |
| - | 0017-00008-0206 | 1 | .33oz Pen - Arctic Silver |
| - | 0017-00003-0704 | 1 | Line Cord 10A 125 V |
| - | AK62-00172-0000 | 1 | Access Panel |
| - | 0017-00008-0204 | 1 | Paint Spray Can - Arctic Silver |
| - | AK62-00152-0001 | 1 | Hardware Bag |
| - | 0017-00008-0205 | 1 | 5 oz Bottle - Arctic Silver |

Rocker Arms and Pedal Levers



| Ref # | Part Number | Qty | Description |
|-------|-----------------|-----|--------------------------------|
| - | 0017-00100-0178 | 1 | Hardware: Retaining Ring 1.25" |
| - | AK58-00245-0000 | 1 | Bug Medallion |
| - | AK62-00235-0000 | 1 | Left Pedal Lever Assembly |
| - | OK62-01305-0000 | 1 | Oilite Bearing |
| - | OK62-01307-0000 | 1 | Hardware: Spacer |
| - | GK62-00002-0070 | 3 | Rocker Arm Kit |
| - | OK61-01259-0000 | 2 | Shaft Split Collar |
| - | AK62-00236-0000 | 1 | Right Pedal Lever Assembly |

Upper Frame Hardware



| Ref # | Part Number | Qty | Description |
|-------|------------------|-----|-------------------------------------|
| - | 0017-00101-1796 | 11 | Hardware: Mounting Screw 19 MM |
| - | M0017-00101-1791 | 6 | Hardware: Mounting Screw |
| - | 0017-00101-2041 | 4 | Hardware: Bullhorn Mounting Screw |
| - | 0017-00101-2040 | 6 | Hardware: Handlebar Mounting Screw |
| - | 0017-00101-1854 | 2 | Hardware: Bullhorn Cover Screw 44MM |
| - | 0017-00101-1846 | 4 | Hardware: Phillips Pan Screw 10 MM |
| - | 0K62-01022-0001 | 1 | Accessory Tray |

