

95Xe Cross-Trainer w/Integrated LCD screen

95XE-0400-04

Parts Manual

1/5/2019 11:34:58 AM



Table of Contents

Bearing Insert Assembly	3
Cables	4
Complete Console Assembly	5
Console Components	6
Console Support and Deadshaft Covers	7
Crank Arm Pulley Assembly	8
Crank Cover and Lower Caps	9
Drive Module	10
Drive Module Hardware	11
Handlebars and Bullhorns	12
Lower Frame Shrouds and Hardware	13
Pedal Lever Assembly Components	14
PCB, Battery, Reed Switch and Bracket	16
References	17
Rocker Arms and Pedal Levers	18
Upper Frame Hardware	19

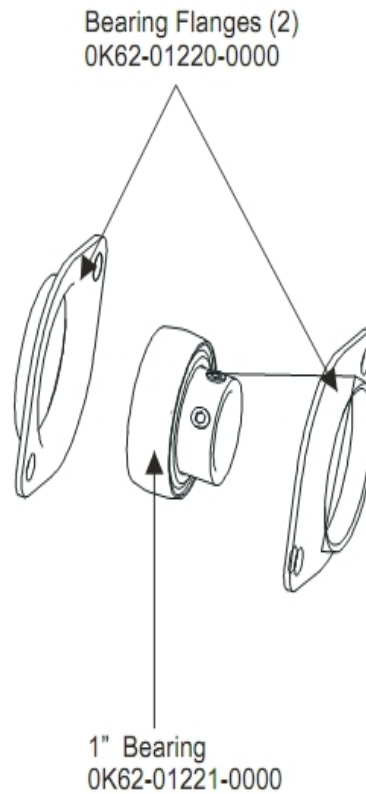
Bearing Insert Assembly

Service Kit-
MGK62-00002-0044
Includes:

- 1 - crankshaft
- 2 - bearings
- 2 - sets of bearing flanges
- 4 - weldnuts and flat washers
- 4 - bolts

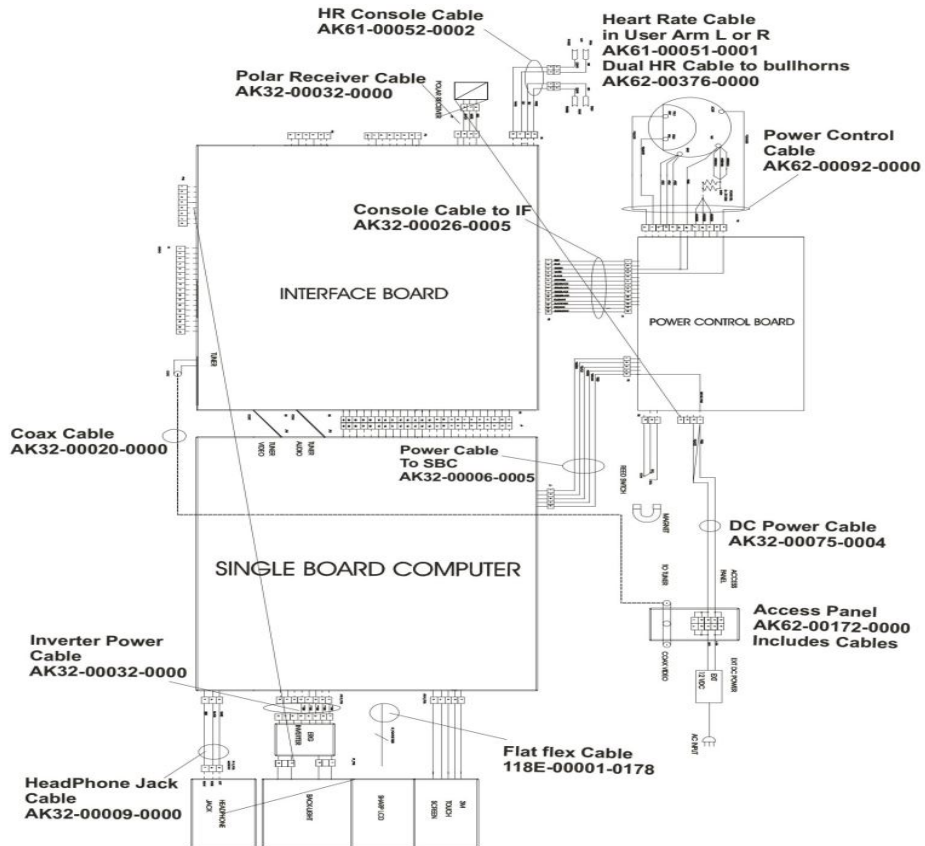
Service Kit- GK62-00002-0045
Includes:

- 1 - intermediate shaft
- 2 - bearings
- 2 - sets of bearing flanges
- 4 - weldnuts and flat washers
- 4 - bolts



Ref #	Part Number	Qty	Description
-	GK62-00002-0044	1	Crankshaft Bearing Kit
-	0K62-01221-0000	1	1" Bearing
-	GK62-00002-0045	1	Intermediate Shaft Bearing Kit
-	0K62-01220-0000	2	Bearing Flange

Cables

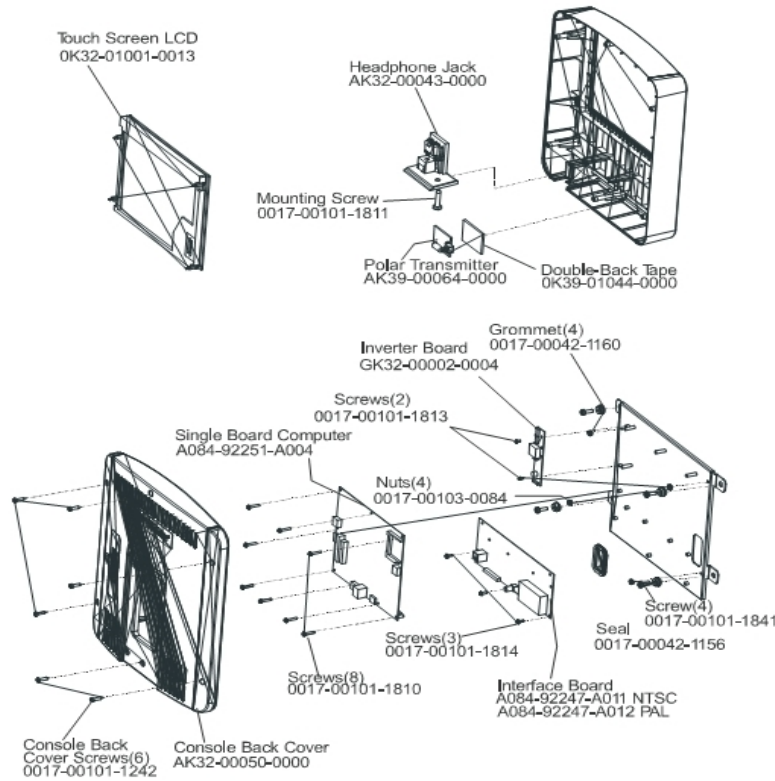


Ref #	Part Number	Qty	Description
-	AK32-00009-0000	1	Headphone Jack Cable
-	AK61-00052-0002	1	Lifepulse Sensor Cable
-	AK32-00006-0005	1	Power Cable to SBC
-	AK62-00092-0000	1	Power Control Cable
-	AK32-00075-0004	1	DC Power Cable
-	AK61-00051-0001	1	Lifepulse: User-Arm
-	118E-00001-0178	1	Flat Flex Cable
-	AK32-00032-0000	2	Inverter Cable
-	AK62-00172-0000	1	Access Panel
-	AK32-00020-0000	1	68" COAX CABLE
-	AK62-00376-0000	1	Dual HR Cable to bullhorns

Complete Console Assembly

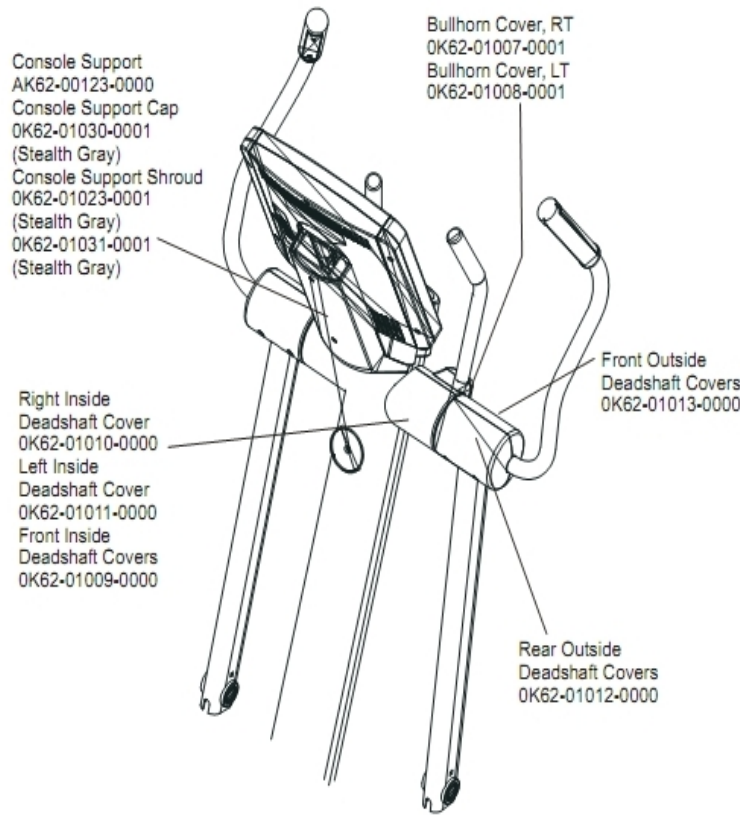
Ref #	Part Number	Qty	Description
-	AK62-00369-0004	1	Console Assembly NTSC Spanish

Console Components



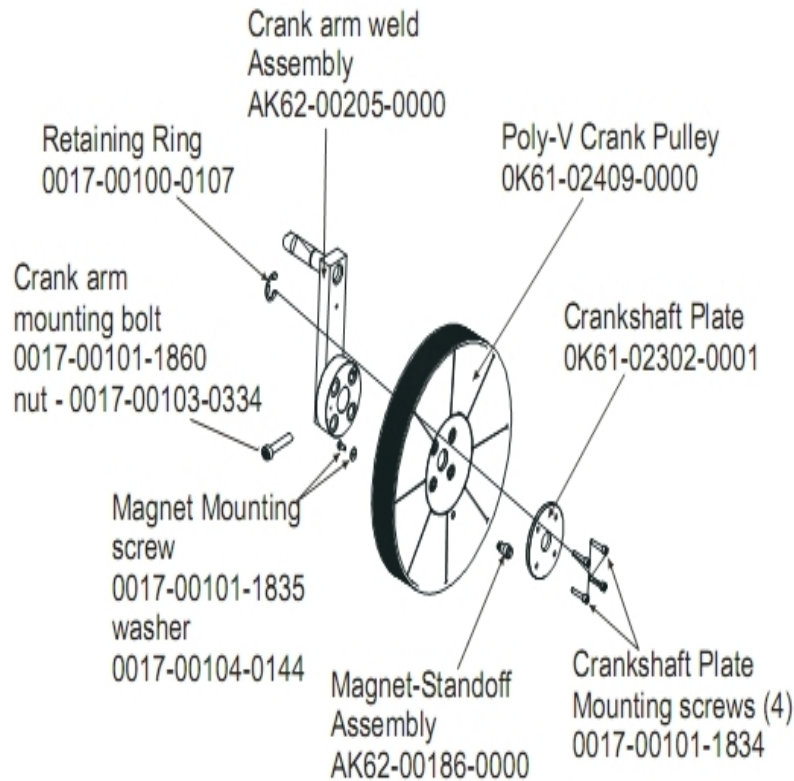
Ref #	Part Number	Qty	Description
-	0017-00042-1156	1	Edge Trim
-	0017-00103-0084	4	Hardware: Nut
-	0017-00101-1841	4	Hardware: Screw
-	0K32-01001-0013	1	LCD Touchscreen Assembly
-	A084-92247-A011	1	Interface Boards NTSC
-	0017-00101-1810	10	Hardware: Screw
-	0017-00101-1813	2	Hardware: Inverter Board Screw
-	0K32-01001-0013	1	LCD Touchscreen Assembly
-	0K32-01001-0013	1	LCD Touchscreen Assembly
-	0017-00101-1814	3	Hardware: Screw
-	0017-00042-1160	4	Grommet
-	GK32-00002-0004	1	Inverter Board
-	0K39-01044-0000	1	Tape
-	0017-00101-1811	1	Hardware: Phillips Pan Screw 0.625"
-	AK32-00050-0000	1	Console Back Cover
-	AK32-00043-0000	1	Headphone Jack
-	118E-00001-0259	1	Wireless Receiver Module, Non-Coded
-	A084-92251-A004	1	Single Board Computer
-	0017-00101-1242	6	Hardware: Phillips Pan Screw 0.75"
-	0K32-01001-0013	1	LCD Touchscreen Assembly

Console Support and Deadshaft Covers



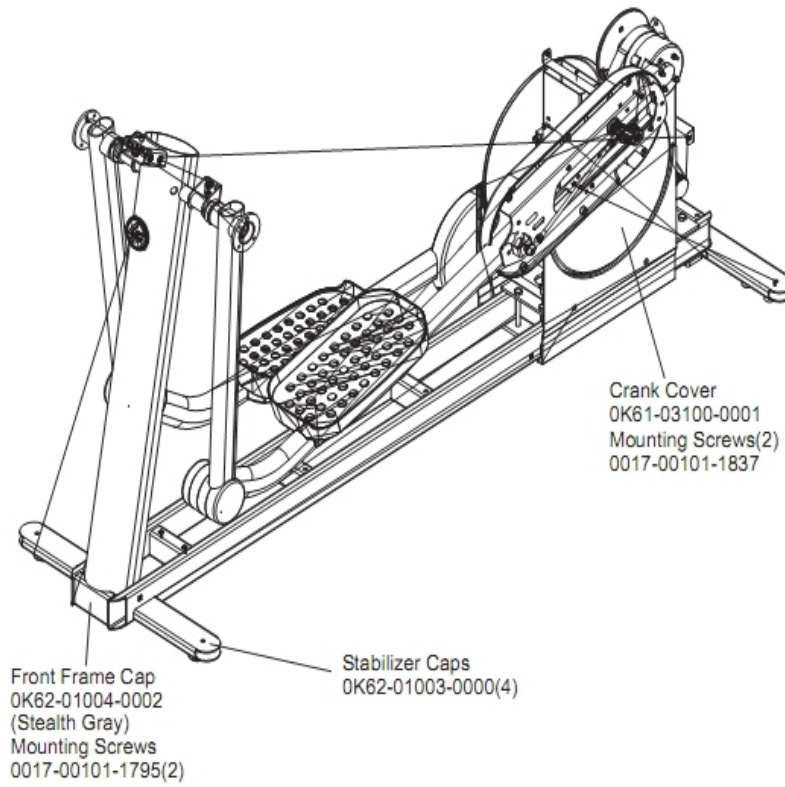
Ref #	Part Number	Qty	Description
-	OK62-01031-0001	1	Cap
-	OK62-01011-0000	1	Left Inside Deadshaft Cover
-	OK62-01008-0001	1	Bullhorn Cover Left
-	OK62-01007-0001	1	Bullhorn Cover Right
-	OK62-01012-0000	1	Front Outside Deadshaft Cover
-	OK62-01009-0000	1	Front Inside Deadshaft Cover
-	OK62-01010-0000	1	Right Inside Deadshaft Cover
-	AK62-00123-0000	1	Console Support
-	OK62-01030-0001	1	Console Support Cap
-	OK62-01013-0000	1	Rear Outside Deadshaft Cover
-	OK62-01023-0001	1	Console Support Shroud

Crank Arm Pulley Assembly



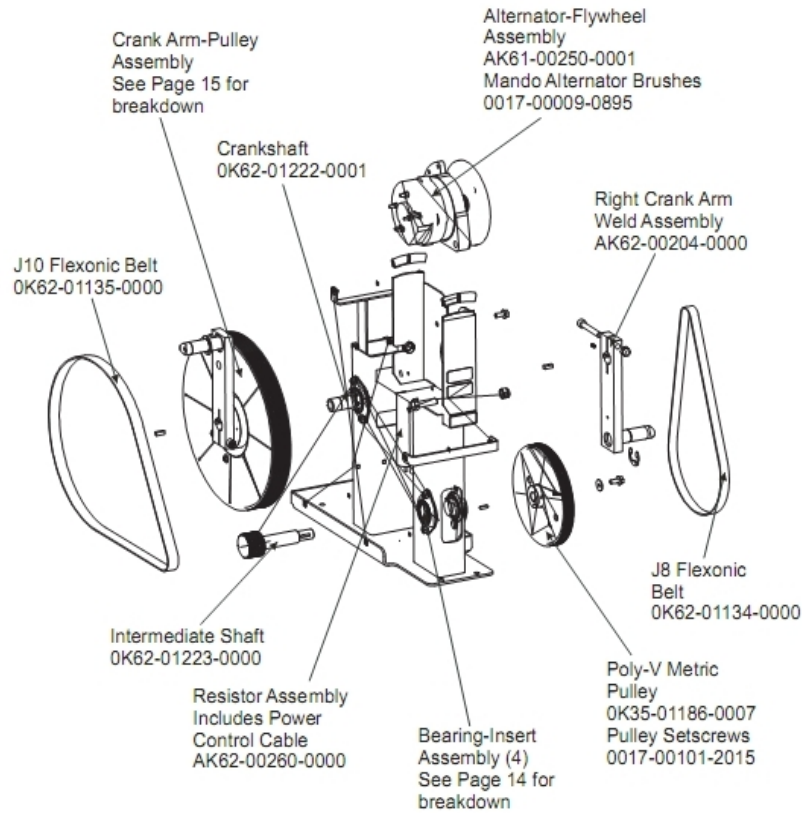
Ref #	Part Number	Qty	Description
-	0K61-02409-0000	1	Poly-V Crank Pulley
-	0017-00103-0334	1	Hardware: Nut 10 MM
-	0K61-02302-0001	1	Crankshaft Plate
-	0017-00101-1834	4	Hardware: Screw 24MM
-	0017-00100-0107	1	Hardware: E-Ring 1"
-	0017-00101-1860	1	Hardware: Crankarm Bolt 65MM
-	0017-00104-0144	1	Hardware: Washer 0.625" OD
-	0017-00101-1835	1	Hardware: Screw 10MM
-	AK62-00186-0000	1	Magnet-Standoff Assembly
-	AK62-00205-0000	1	Crankarm

Crank Cover and Lower Caps



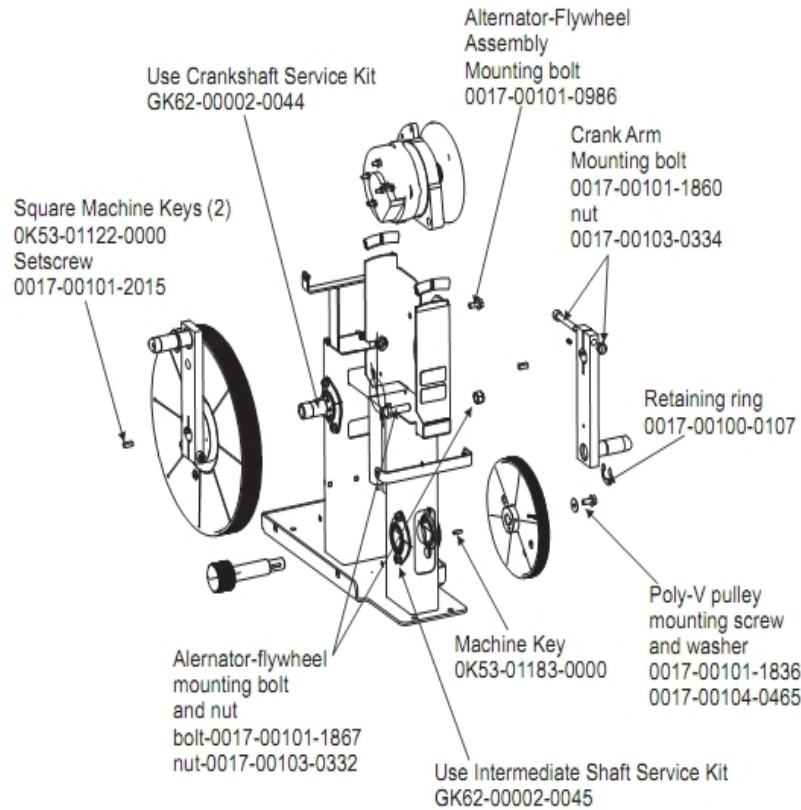
Ref #	Part Number	Qty	Description
-	OK68-01130-0200	4	CAP; STABILIZER; SHADOW GREY
-	0017-00101-1837	2	Hardware: Screw 18MM
-	OK62-01004-0002	1	Front frame Cap
-	0017-00101-1795	2	Hardware: Mounting Screw
-	OK61-03100-0002	1	Crank Cover

Drive Module



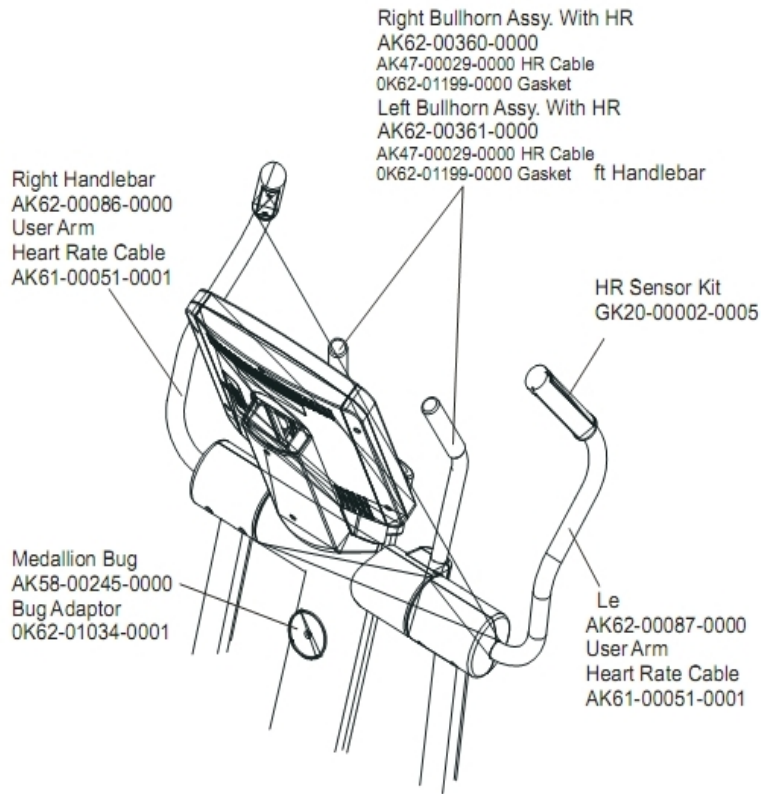
Ref #	Part Number	Qty	Description
-	0K62-01134-0000	1	Flexonic Belt
-	0K62-01135-0000	1	Drive Belt
-	0K62-01222-0001	1	Crankshaft
-	0017-00009-0895	1	Alternator Brush Kit
-	AK62-00204-0000	1	Right Crankarm
-	0K35-01186-0007	1	Poly-V Pulley
-	0K62-01223-0000	1	Intermediate Shaft
-	AK62-00260-0000	1	Resistor Assembly
-	AK61-00250-0001	1	Alternator w/Flywheel
-	0017-00101-2015	2	Hardware: Pulley Set Screw 15 MM

Drive Module Hardware



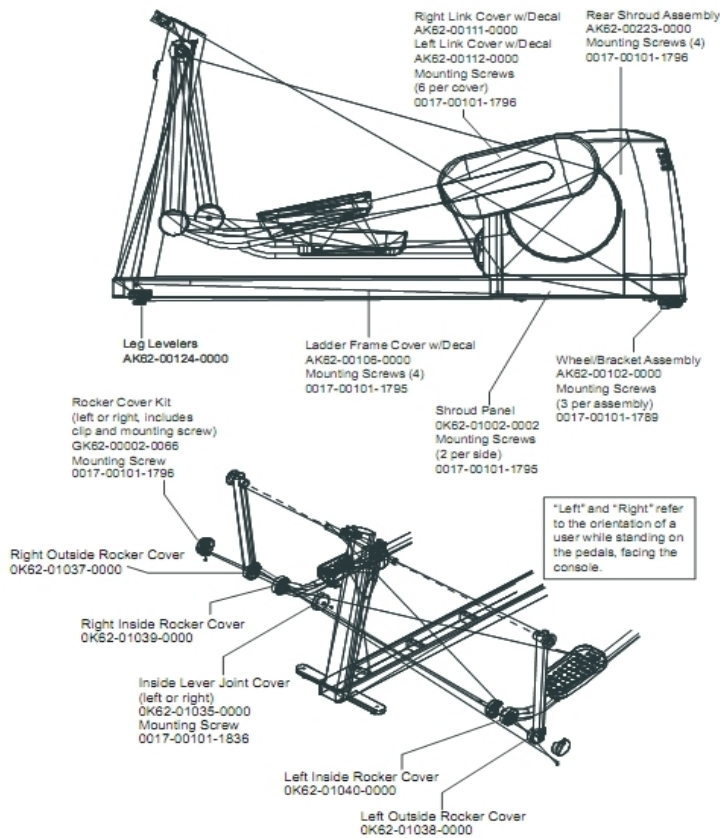
Ref #	Part Number	Qty	Description
-	GK62-00002-0044	1	Crankshaft Bearing Kit
-	0017-00104-0465	1	Hardware: Flat Washer 23MM OD
-	OK53-01122-0000	2	Square Key
-	OK53-01183-0000	1	Hex key
-	0017-00103-0334	1	Hardware: Nut 10 MM
-	0017-00101-2015	1	Hardware: Pulley Set Screw 15 MM
-	0017-00101-0986	1	Hardware: Bolt 0.75"
-	GK62-00002-0045	1	Intermediate Shaft Bearing Kit
-	0017-00101-1867	1	Hardware: Mounting Bolt 45 MM
-	0017-00100-0107	1	Hardware: E-Ring 1"
-	0017-00103-0332	1	Hardware: Mounting Nut
-	0017-00101-1860	1	Hardware: Crankarm Bolt 65MM
-	0017-00101-1836	1	Hardware: Screw 10 MM

Handlebars and Bullhorns



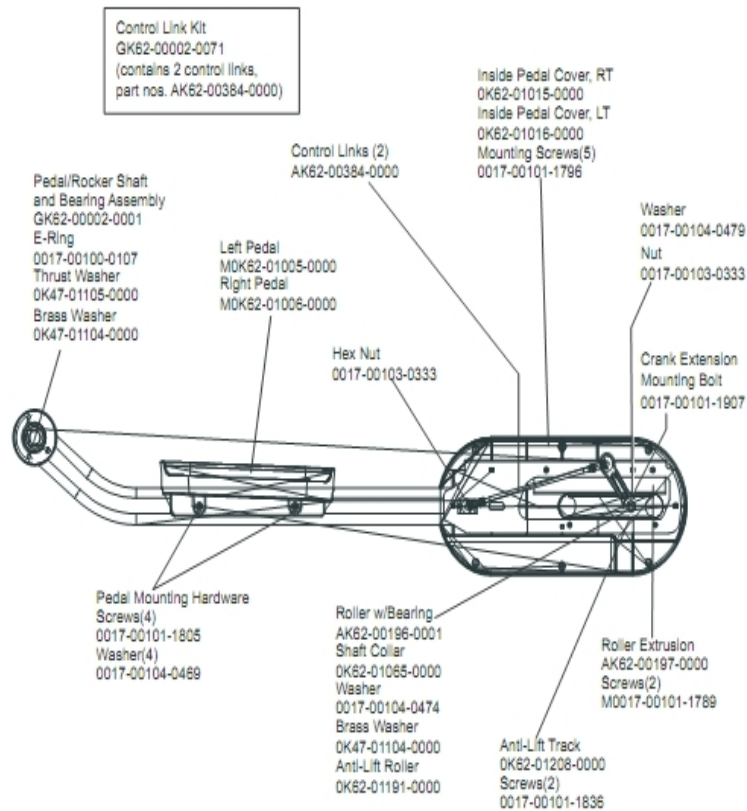
Ref #	Part Number	Qty	Description
-	OK62-01199-0000	2	Bullhorn Gasket
-	OK62-01034-0001	1	Bug Adaptor
-	AK62-00360-0000	1	Right Bullhorn
-	AK58-00245-0000	1	Bug Medallion
-	AK62-00087-0000	1	Handlebar: Left
-	AK62-00361-0000	1	Left Bullhorn
-	AK47-00029-0000	2	Lifepulse Cable
-	AK62-00086-0000	1	Handlebar: Right
-	AK61-00051-0001	2	Lifepulse: User-Arm
-	GK20-00002-0005	1	Heart Rate Electrode Kit

Lower Frame Shrouds and Hardware



Ref #	Part Number	Qty	Description
-	AK62-00111-0000	1	Link Cover with Decal: Right
-	OK62-01035-0000	1	Inside Lever Joint Cover
-	OK62-01038-0000	1	Left Inside Rocker Cover
-	OK62-01037-0000	1	
-	AK62-00112-0000	1	Link Cover with Decal: Left
-	GK62-00002-0066	1	Rocker Cover Kit
-	0017-00101-1796	6	Hardware: Mounting Screw
-	0017-00101-1836	1	Hardware: Screw 10 MM
-	AK62-00102-0000	2	Wheel/Bracket Assembly
-	AK62-00223-0000	1	Rear Shroud Assembly
-	OK62-01002-0003	1	Shroud Panel
-	0017-00101-1789	6	Hardware: Mounting Screws
-	OK62-01039-0000	1	Right Inside Lever Joint Cover
-	0017-00101-1796	11	Hardware: Mounting Screw 19 MM
-	OK62-01040-0000	1	Left Inside Lever Joint Cover
-	AK62-00106-0001	1	Ladder Frame Cover with Decal
-	AK62-00124-0000	2	Leg Leveler

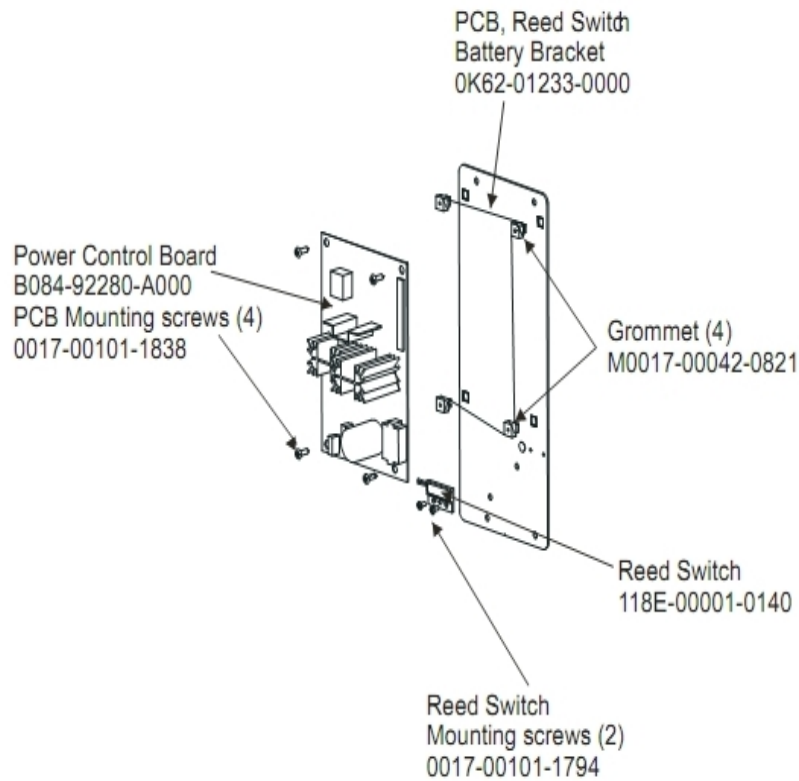
Pedal Lever Assembly Components



Ref #	Part Number	Qty	Description
-	0017-00103-0333	4	Hardware: Hex Nut
-	0017-00101-1836	4	Hardware: Screw 10 MM
-	0017-00104-0479	2	Hardware: Flat Washer 25.4MM OD
-	OK62-01015-0000	2	Inside Pedal Cover Right
-	OK62-01065-0000	2	Shaft Collar
-	0017-00101-1805	8	Hardware: TORX Screw 25 MM
-	GK62-0002-0001	2	Pedal/Rocker Shaft and Bearings
-	OK47-01105-0000	2	Hardware: Hardened Thrust Washer
-	0017-00104-0474	2	Hardware: Washer
-	0017-00101-1796	10	Hardware: Mounting Screw 19 MM
-	OK47-01104-0000	4	Hardware: Thrust Washer
-	OK62-01208-0000	2	Anti-Lift Track
-	0017-00100-0107	2	Hardware: E-Ring 1"
-	OK62-01016-0000	2	Inside Pedal Cover Left
-	AK62-00196-0001	2	Roller with Bearing
-	AK62-00197-0000	2	Roller Extrusion
-	0017-00104-0469	8	Hardware: Flat Washer 16MM OD
-	0017-00101-1907	2	Hardware: Crank Extension Mounting Bolt
-	GK62-0002-0071	6	Control Link Kit
-	MOK62-01005-0000	1	Left Pedal
-	MOK62-01006-0000	1	Right Pedal
-	M0017-00101-1789	4	Hardware: Screw

Ref #	Part Number	Qty	Description
-	0K62-01191-0000	2	Anti-Lift Roller

PCB, Battery, Reed Switch and Bracket

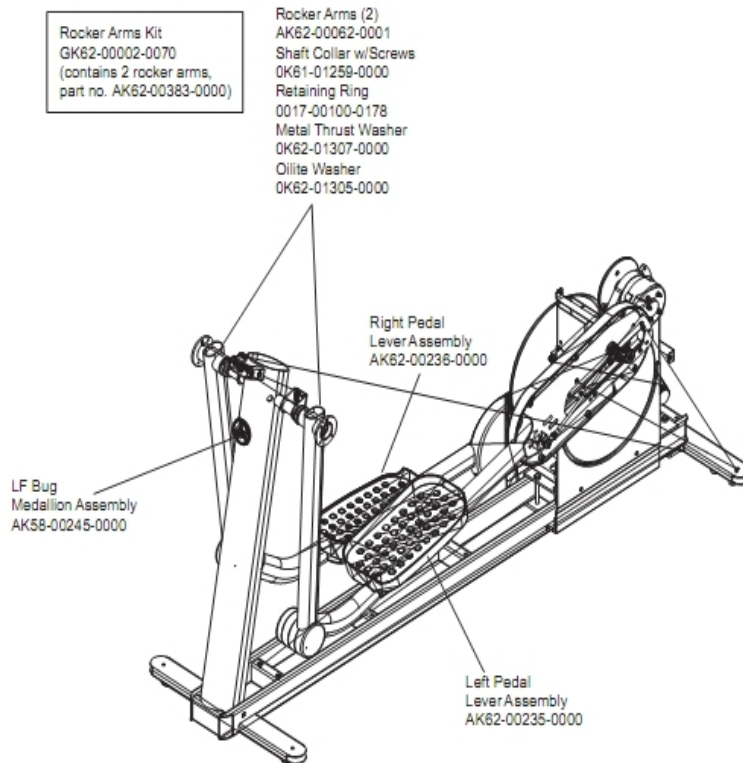


Ref #	Part Number	Qty	Description
-	0017-00101-1794	2	Hardware: Screw 10MM
-	118E-00001-0140	1	Reed Switch SPDT
-	0017-00101-1838	4	Hardware: Mounting Screw 19 MM
-	0K62-01233-0000	1	PCB Reed Switch Battery Bracket
-	0017-00042-0821	4	Hardware: Plastic Grommet
-	B084-92280-A000	1	Power Control Board

References

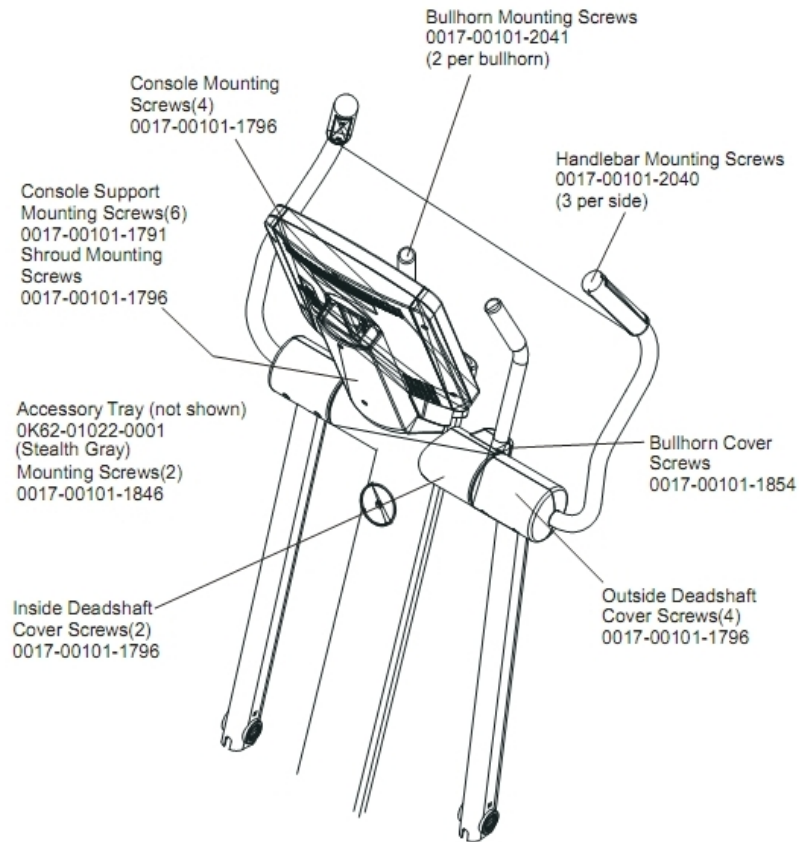
Ref #	Part Number	Qty	Description
-	0017-00003-0704	1	Line Cord 10A 125 V
-	AK62-00172-0000	1	Access Panel
-	0017-00008-0204	1	Paint Spray Can - Arctic Silver
-	AK62-00152-0001	1	Hardware Bag
-	0017-00008-0205	1	5 oz Bottle - Arctic Silver
-	0017-00021-2846	1	F-Type Panel Connector
-	AK32-00075-0004	1	DC Power Cable
-	AK32-00020-0000	1	68" COAX CABLE
-	0K62-01179-0000	1	Bracket: Access Panel C
-	118E-00001-0161	1	Power Supply 12V 4.5A Without Line Cord
-	0017-00008-0206	1	.33oz Pen - Arctic Silver

Rocker Arms and Pedal Levers



Ref #	Part Number	Qty	Description
-	OK62-01307-0000	1	Hardware: Spacer
-	OK61-01259-0000	2	Shaft Split Collar
-	AK62-00236-0000	1	Right Pedal Lever Assembly
-	GK62-00002-0070	3	Rocker Arm Kit
-	OK62-01305-0000	1	Oilite Bearing
-	AK58-00245-0000	1	Bug Medallion
-	AK62-00235-0000	1	Left Pedal Lever Assembly
-	0017-00100-0178	1	Hardware: Retaining Ring 1.25"

Upper Frame Hardware



Ref #	Part Number	Qty	Description
-	0K62-01022-0001	1	Accessory Tray
-	0017-00101-2041	4	Hardware: Bullhorn Mounting Screw
-	M0017-00101-1791	6	Hardware: Mounting Screw
-	0017-00101-1796	11	Hardware: Mounting Screw 19 MM
-	0017-00101-2040	6	Hardware: Handlebar Mounting Screw
-	0017-00101-1846	4	Hardware: Phillips Pan Screw 10 MM
-	0017-00101-1854	2	Hardware: Bullhorn Cover Screw 44MM

