

# 95Xe Cross-Trainer w/Integrated LCD screen - Arctic Silver

95XE-0501-02

## Parts Manual

1/5/2019 11:36:21 AM



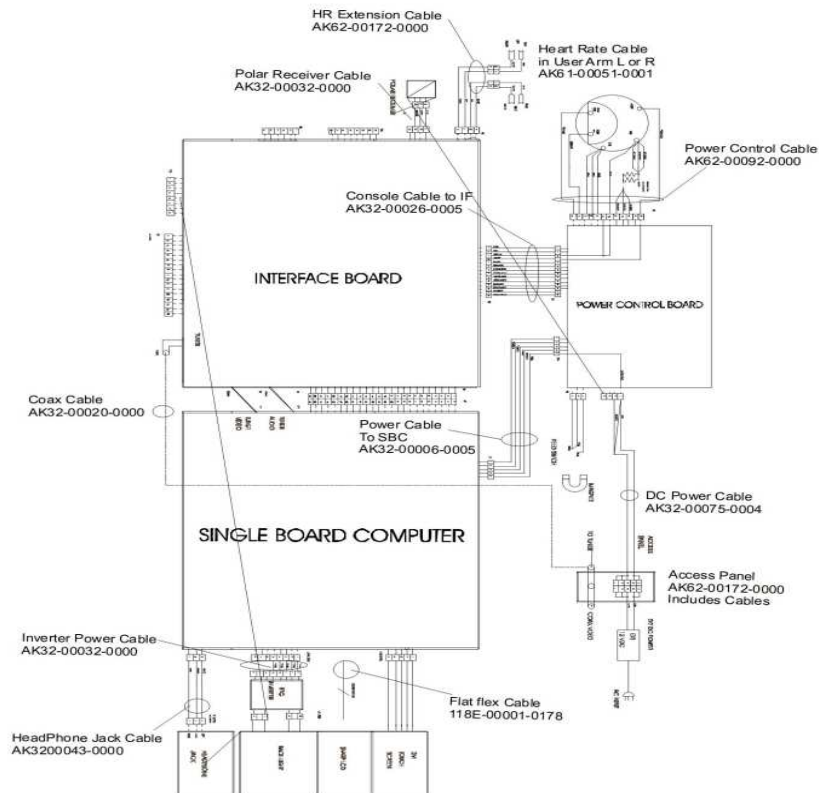
*Life Fitness*  
WHAT WE LIVE FOR

**Table of Contents**

---

[Block Diagram](#).....3  
[Console and Related Components](#).....4  
[Console Assembly](#).....5  
[Console Support and Deadshaft Covers](#).....6  
[Crank Cover and Lower Caps](#).....7  
[Drive Module Components](#).....8  
[Drive Module Hardware](#).....9  
[Handlebars and Bullhorns](#).....10  
[Lower Frame Shrouds and Hardware](#).....11  
[Pedal Lever Assembly Components](#).....12  
[References](#).....14  
[Rocker Arms and Pedal Levers](#).....15  
[Upper Frame Hardware](#).....16

# Block Diagram



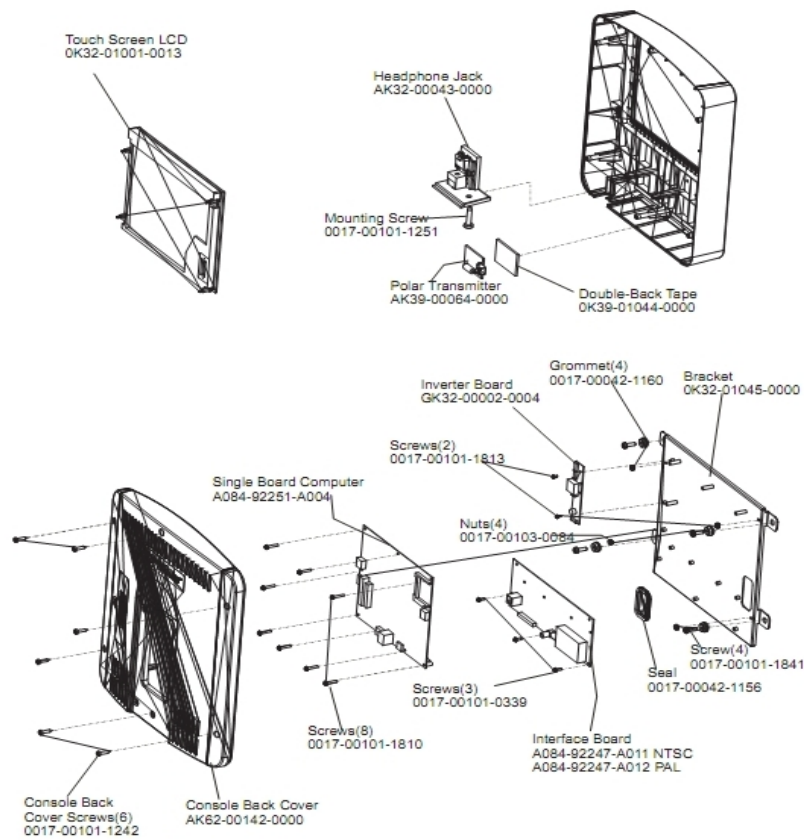
| Ref # | Part Number     | Qty | Description                |
|-------|-----------------|-----|----------------------------|
| -     | AK62-00092-0000 | 1   | Power Control Cable        |
| -     | AK32-00020-0000 | 1   | 68" COAX CABLE             |
| -     | 118E-00001-0178 | 1   | Flat Flex Cable            |
| -     | AK32-00026-0005 | 1   | Console Cable to Interface |
| -     | AK61-00051-0001 | 1   | Lifepulse: User-Arm        |
| -     | AK32-00043-0000 | 1   | Headphone Jack             |
| -     | AK32-00006-0005 | 1   | Power Cable to SBC         |
| -     | AK62-00172-0000 | 2   | Access Panel               |
| -     | AK32-00075-0004 | 1   | DC Power Cable             |
| -     | AK32-00032-0000 | 2   | Inverter Cable             |

## Console and Related Components

---

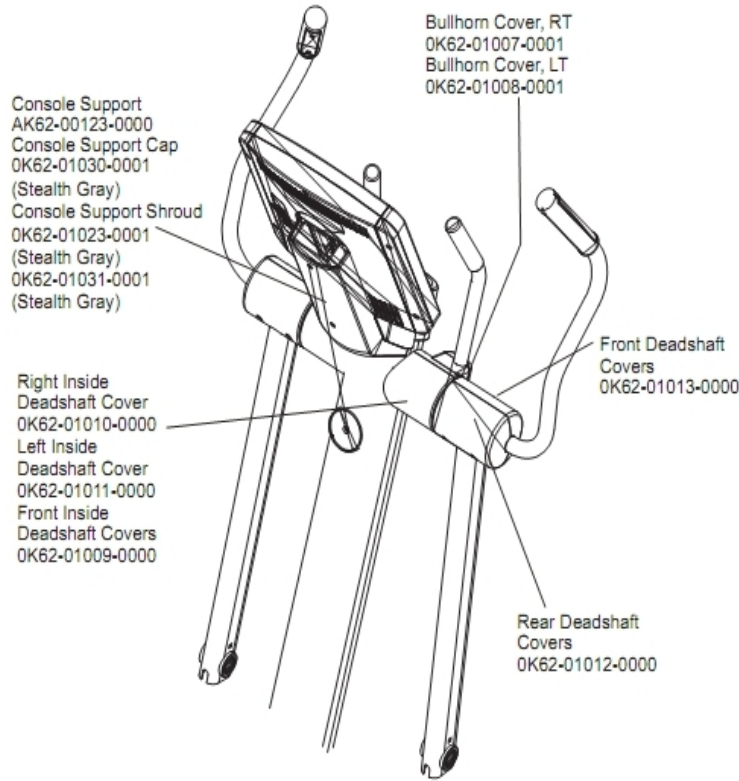
| Ref # | Part Number     | Qty | Description                                       |
|-------|-----------------|-----|---|
| -     | GK62-00002-0058 | 1   | Service Kit LCD Console PAL Japanese              |
| -     | AK62-00309-0008 | 1   | Bezel / Switch with Overlay Assembly; Italian/PAL |

## Console Assembly



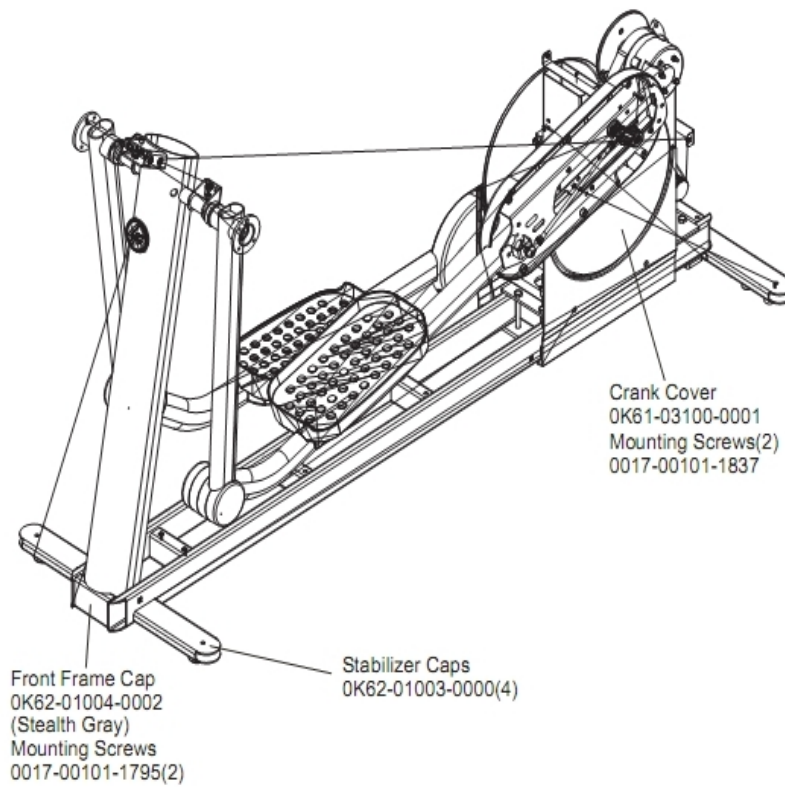
| Ref # | Part Number     | Qty | Description                         |
|-------|-----------------|-----|-------------------------------------|
| -     | 0K32-01001-0013 | 1   | LCD Touchscreen Assembly            |
| -     | 0K32-01001-0013 | 1   | LCD Touchscreen Assembly            |
| -     | 0K32-01001-0013 | 1   | LCD Touchscreen Assembly            |
| -     | 0K32-01001-0013 | 1   | LCD Touchscreen Assembly            |
| -     | 0017-00042-1160 | 4   | Grommet                             |
| -     | 0017-00101-1242 | 6   | Hardware: Phillips Pan Screw 0.75"  |
| -     | AK32-00043-0000 | 1   | Headphone Jack                      |
| -     | 0017-00042-1156 | 1   | Edge Trim                           |
| -     | A084-92251-A004 | 1   | Single Board Computer               |
| -     | 0017-00101-1814 | 3   | Hardware: Screw                     |
| -     | 0017-00101-1813 | 2   | Hardware: Inverter Board Screw      |
| -     | AK32-00050-0000 | 1   | Console Back Cover                  |
| -     | 0017-00103-0084 | 4   | Hardware: Nut                       |
| -     | 0K32-01045-0000 | 1   | Console Bracket                     |
| -     | 0017-00101-1841 | 4   | Hardware: Screw                     |
| -     | GK32-00002-0004 | 1   | Inverter Board                      |
| -     | 0017-00101-1810 | 8   | Hardware: Screw                     |
| -     | 0K39-01044-0000 | 1   | Tape                                |
| -     | A084-92247-A012 | 1   | Interface Boards NTSC               |
| -     | 118E-00001-0259 | 1   | Wireless Receiver Module, Non-Coded |
| -     | 0017-00101-1811 | 1   | Hardware: Phillips Pan Screw 0.625" |

## Console Support and Deadshaft Covers



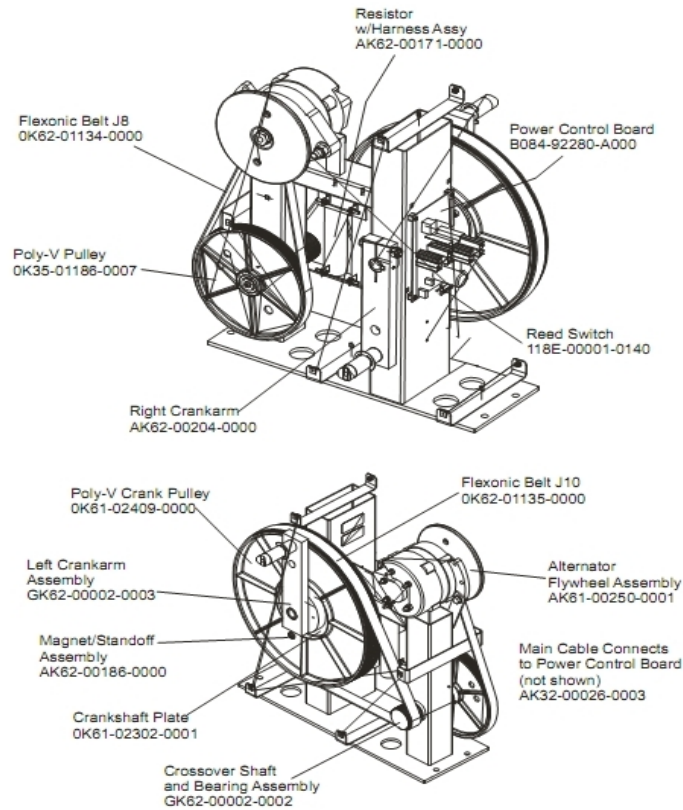
| Ref # | Part Number     | Qty | Description                   |
|-------|-----------------|-----|-------------------------------|
| -     | OK62-01030-0001 | 1   | Console Support Cap           |
| -     | OK62-01013-0000 | 1   | Rear Outside Deadshaft Cover  |
| -     | AK62-00123-0000 | 1   | Console Support               |
| -     | OK62-01007-0001 | 1   | Bullhorn Cover Right          |
| -     | OK62-01011-0000 | 1   | Left Inside Deadshaft Cover   |
| -     | OK62-01008-0001 | 1   | Bullhorn Cover Left           |
| -     | OK62-01031-0001 | 1   | Cap                           |
| -     | OK62-01010-0000 | 1   | Right Inside Deadshaft Cover  |
| -     | OK62-01023-0001 | 1   | Console Support Shroud        |
| -     | OK62-01012-0000 | 1   | Front Outside Deadshaft Cover |
| -     | OK62-01009-0000 | 1   | Front Inside Deadshaft Cover  |

## Crank Cover and Lower Caps



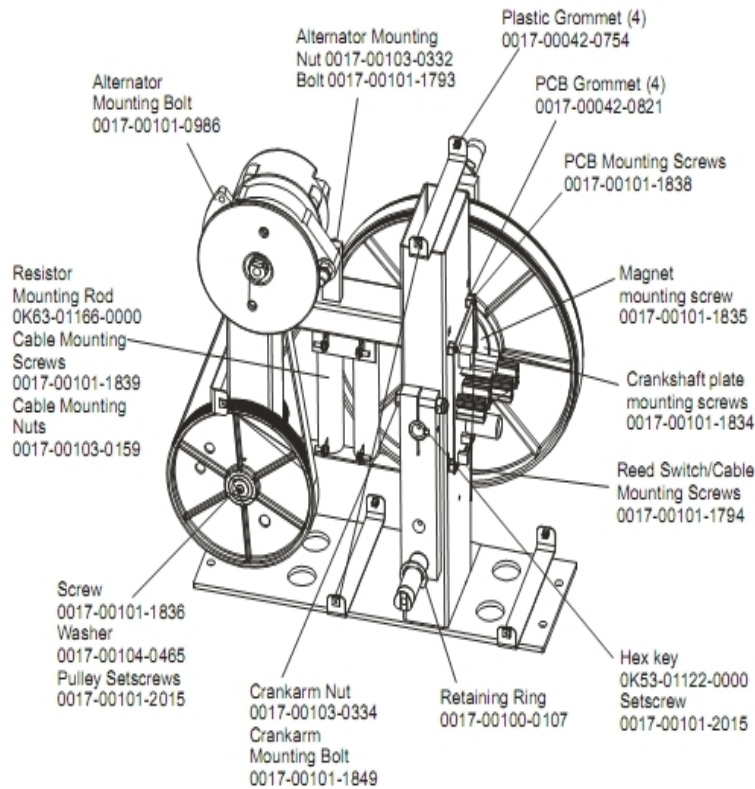
| Ref # | Part Number     | Qty | Description                  |
|-------|-----------------|-----|------------------------------|
| -     | 0017-00101-1836 | 2   | Hardware: Screw 10 MM        |
| -     | 0K61-03100-0002 | 1   | Crank Cover                  |
| -     | 0K62-01004-0002 | 1   | Front frame Cap              |
| -     | 0K68-01130-0200 | 4   | CAP; STABILIZER; SHADOW GREY |
| -     | 0017-00101-1795 | 2   | Hardware: Mounting Screw     |

## Drive Module Components



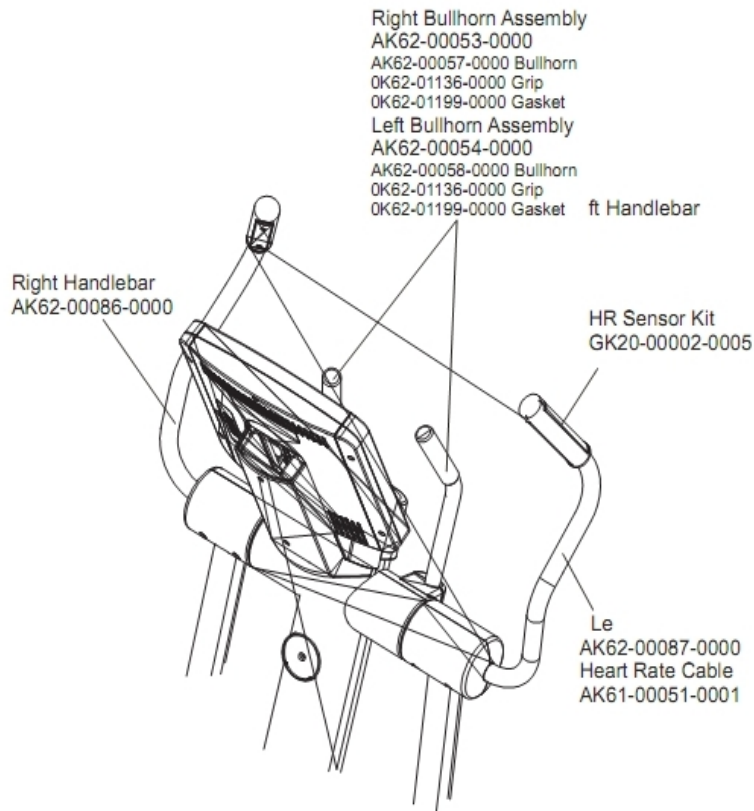
| Ref # | Part Number     | Qty | Description                          |
|-------|-----------------|-----|--------------------------------------|
| -     | AK62-00171-0000 | 1   | Resistor with Harness Assembly       |
| -     | OK61-02409-0000 | 1   | Poly-V Crank Pulley                  |
| -     | GK62-00002-0002 | 1   | Crossover Shaft and Bearing Assembly |
| -     | AK62-00186-0000 | 1   | Magnet-Standoff Assembly             |
| -     | 118E-00001-0140 | 1   | Reed Switch SPDT                     |
| -     | AK61-00250-0002 | 1   | Alternator Flywheel Assembly         |
| -     | OK35-01186-0007 | 1   | Poly-V Pulley                        |
| -     | AK62-00204-0000 | 1   | Right Crankarm                       |
| -     | B084-92280-A000 | 1   | Power Control Board                  |
| -     | OK62-01135-0000 | 1   | Drive Belt                           |
| -     | GK62-00002-0027 | 1   | Left Crank Arm Weld Assembly         |
| -     | OK62-01134-0000 | 1   | Flexionic Belt                       |
| -     | OK61-02303-0001 | 1   | Crankshaft Plate                     |
| -     | GK62-00002-0028 | 1   | Crankshaft Kit with Bearing          |

## Drive Module Hardware



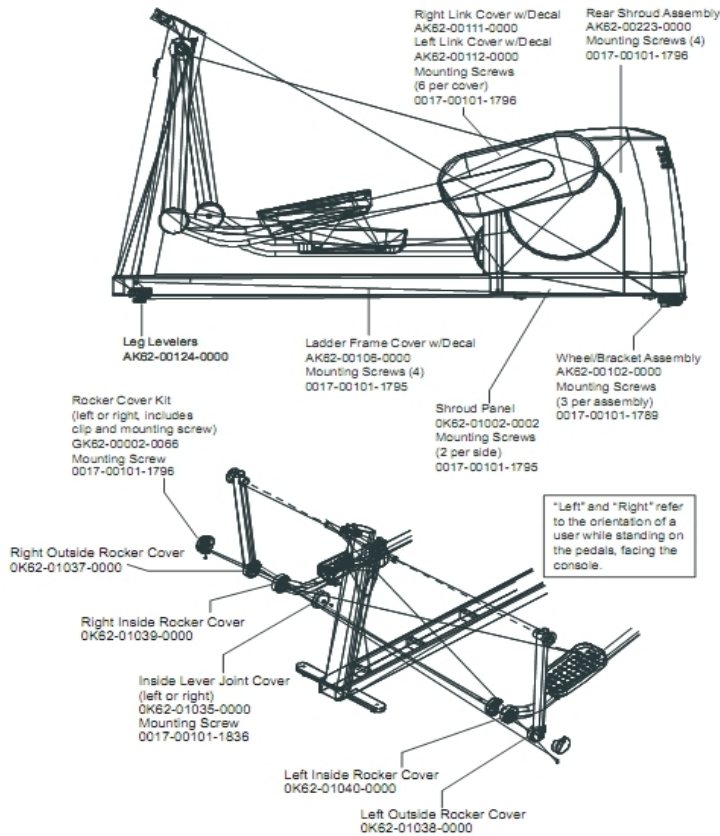
| Ref # | Part Number     | Qty | Description                        |
|-------|-----------------|-----|------------------------------------|
| -     | 0017-00042-0821 | 4   | Hardware: Plastic Grommet          |
| -     | 0017-00101-1836 | 1   | Hardware: Screw 10 MM              |
| -     | 0017-00101-2015 | 2   | Hardware: Pulley Set Screw 15 MM   |
| -     | 0017-00103-0334 | 1   | Hardware: Nut 10 MM                |
| -     | 0017-00101-1839 | 4   | Hardware: Cable Mounting Screw     |
| -     | 0017-00103-0159 | 1   | Hardware: Mounting Nut             |
| -     | 0017-00101-1849 | 1   | Hardware: Crank arm mounting bolt  |
| -     | 0017-00101-1834 | 1   | Hardware: Screw 24MM               |
| -     | 0017-00101-0986 | 1   | Hardware: Bolt 0.75"               |
| -     | 0017-00103-0332 | 1   | Hardware: Mounting Nut             |
| -     | 0017-00042-0754 | 4   | Hardware: Grommet                  |
| -     | 0017-00101-1793 | 1   | Hardware: Alternator Mounting Bolt |
| -     | 0017-00101-1838 | 1   | Hardware: Mounting Screw 19 MM     |
| -     | OK53-01122-0000 | 1   | Square Key                         |
| -     | OK63-01166-0000 | 1   | Resistor Mounting Rod              |
| -     | 0017-00100-0107 | 1   | Hardware: E-Ring 1"                |
| -     | 0017-00101-1794 | 2   | Hardware: Screw 10MM               |
| -     | 0017-00101-1835 | 1   | Hardware: Screw 10MM               |
| -     | 0017-00104-0465 | 1   | Hardware: Flat Washer 23MM OD      |

## Handlebars and Bullhorns



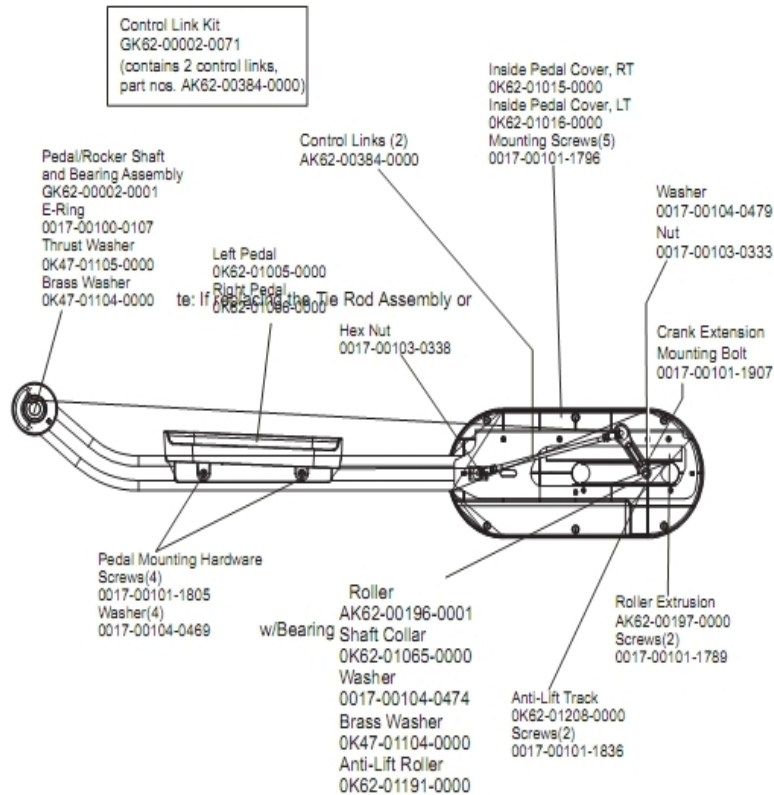
| Ref # | Part Number     | Qty | Description              |
|-------|-----------------|-----|--------------------------|
| -     | OK62-01034-0001 | 1   | Bug Adaptor              |
| -     | OK62-01136-0000 | 2   | Grip                     |
| -     | AK62-00087-0000 | 1   | Handlebar: Left          |
| -     | AK58-00245-0000 | 1   | Bug Medallion            |
| -     | GK20-00002-0005 | 1   | Heart Rate Electrode Kit |
| -     | AK61-00051-0001 | 1   | Lifepulse: User-Arm      |
| -     | AK62-00053-0001 | 1   | Right Bullhorn           |
| -     | AK62-00058-0001 | 1   | Left Bullhorn            |
| -     | AK62-00086-0000 | 1   | Handlebar: Right         |
| -     | AK62-00057-0001 | 1   | Right Bullhorn           |
| -     | AK62-00054-0001 | 1   | Left Bullhorn            |
| -     | OK62-01199-0000 | 2   | Bullhorn Gasket          |

## Lower Frame Shrouds and Hardware



| Ref # | Part Number     | Qty | Description                    |
|-------|-----------------|-----|--------------------------------|
| -     | AK62-00111-0000 | 1   | Link Cover with Decal: Right   |
| -     | OK62-01039-0000 | 1   | Right Inside Lever Joint Cover |
| -     | OK62-01038-0000 | 1   | Left Inside Rocker Cover       |
| -     | 0017-00101-1795 | 6   | Hardware: Mounting Screw       |
| -     | 0017-00101-1836 | 1   | Hardware: Screw 10 MM          |
| -     | AK62-00102-0000 | 2   | Wheel/Bracket Assembly         |
| -     | OK62-01037-0000 | 1   |                                |
| -     | AK62-00223-0000 | 1   | Rear Shroud Assembly           |
| -     | 0017-00101-1796 | 11  | Hardware: Mounting Screw 19 MM |
| -     | OK62-01040-0000 | 1   | Left Inside Lever Joint Cover  |
| -     | AK62-00106-0001 | 1   | Ladder Frame Cover with Decal  |
| -     | AK62-00124-0000 | 2   | Leg Leveler                    |
| -     | AK62-00112-0000 | 1   | Link Cover with Decal: Left    |
| -     | GK62-00002-0066 | 1   | Rocker Cover Kit               |
| -     | OK62-01002-0003 | 1   | Shroud Panel                   |
| -     | 0017-00101-1789 | 6   | Hardware: Mounting Screws      |
| -     | OK62-01035-0000 | 1   | Inside Lever Joint Cover       |

## Pedal Lever Assembly Components



| Ref # | Part Number     | Qty | Description                             |
|-------|-----------------|-----|---|
| -     | 0017-00101-1836 | 4   | Hardware: Screw 10 MM                   |
| -     | OK62-01208-0000 | 2   | Anti-Lift Track                         |
| -     | OK62-01015-0000 | 2   | Inside Pedal Cover Right                |
| -     | OK62-01065-0000 | 2   | Shaft Collar                            |
| -     | 0017-00101-1805 | 8   | Hardware: TORX Screw 25 MM              |
| -     | 0017-00103-0333 | 4   | Hardware: Hex Nut                       |
| -     | AK62-00196-0001 | 2   | Roller with Bearing                     |
| -     | AK62-00197-0000 | 2   | Roller Extrusion                        |
| -     | GK62-00002-0001 | 2   | Pedal/Rocker Shaft and Bearings         |
| -     | GK62-00002-0071 | 6   | Control Link Kit                        |
| -     | 0017-00101-1796 | 10  | Hardware: Mounting Screw 19 MM          |
| -     | 0017-00104-0474 | 2   | Hardware: Washer                        |
| -     | OK47-01105-0000 | 2   | Hardware: Hardened Thrust Washer        |
| -     | OK62-01191-0000 | 2   | Anti-Lift Roller                        |
| -     | OK47-01104-0000 | 4   | Hardware: Thrust Washer                 |
| -     | 0017-00101-1907 | 2   | Hardware: Crank Extension Mounting Bolt |
| -     | 0017-00104-0469 | 8   | Hardware: Flat Washer 16MM OD           |
| -     | 0017-00100-0107 | 2   | Hardware: E-Ring 1"                     |
| -     | 0017-00101-1789 | 4   | Hardware: Mounting Screws               |
| -     | OK62-01005-0000 | 1   | Left Pedal                              |
| -     | OK62-01006-0000 | 1   | Right Pedal                             |

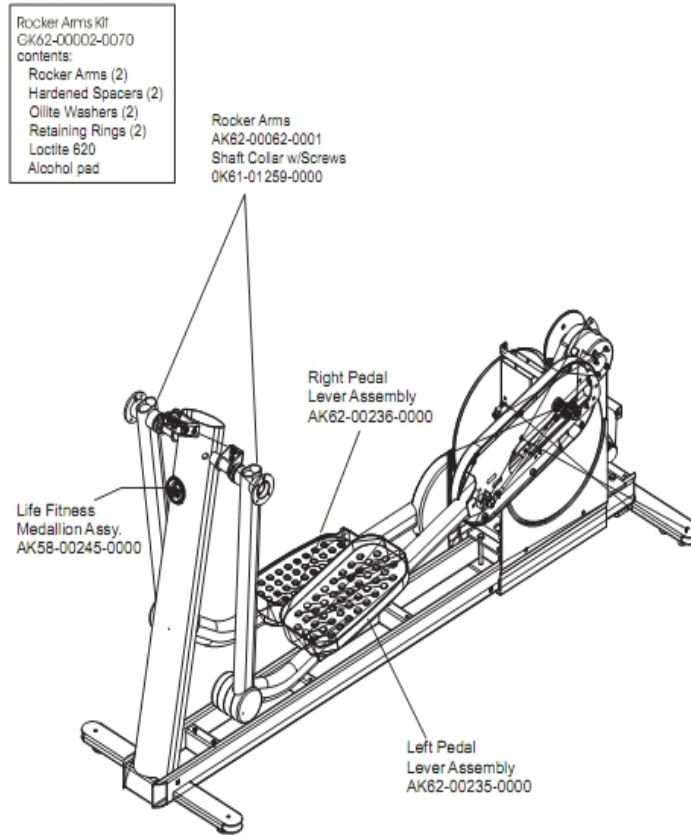
| Ref # | Part Number     | Qty | Description                     |
|-------|-----------------|-----|---------------------------------|
| -     | 0K62-01016-0000 | 2   | Inside Pedal Cover Left         |
| -     | 0017-00104-0479 | 2   | Hardware: Flat Washer 25.4MM OD |

## References

---

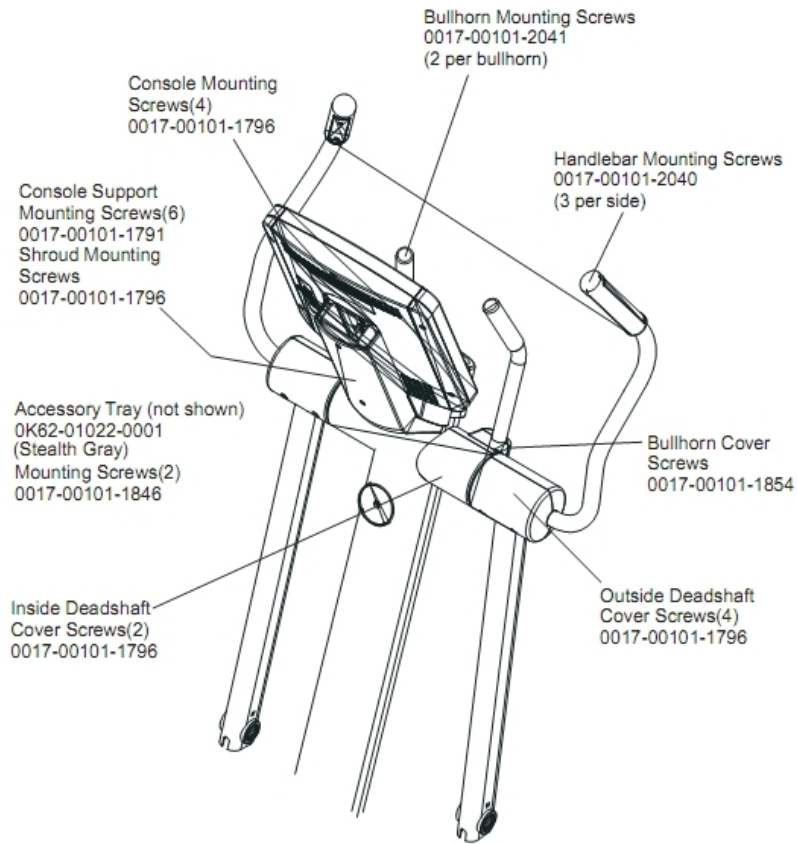
| Ref # | Part Number     | Qty | Description                             |
|-------|-----------------|-----|---|
| -     | AK32-00075-0004 | 1   | DC Power Cable                          |
| -     | GK62-00002-0028 | 1   | Crankshaft Kit with Bearing             |
| -     | AK62-00172-0000 | 1   | Access Panel                            |
| -     | 0017-00008-0205 | 1   | 5 oz Bottle - Arctic Silver             |
| -     | 0017-00008-0204 | 1   | Paint Spray Can - Arctic Silver         |
| -     | 0017-00003-0691 | 1   | Line Cord Cont 10A 250 V                |
| -     | 118E-00001-0161 | 1   | Power Supply 12V 4.5A Without Line Cord |
| -     | 0017-00008-0206 | 1   | .33oz Pen - Arctic Silver               |
| -     | AK62-00152-0001 | 1   | Hardware Bag                            |
| -     | AK32-00020-0000 | 1   | 68" COAX CABLE                          |

## Rocker Arms and Pedal Levers



| Ref # | Part Number     | Qty | Description                |
|-------|-----------------|-----|----------------------------|
| -     | AK58-00245-0000 | 1   | Bug Medallion              |
| -     | GK62-00002-0070 | 3   | Rocker Arm Kit             |
| -     | AK62-00235-0000 | 1   | Left Pedal Lever Assembly  |
| -     | 0K61-01259-0000 | 2   | Shaft Split Collar         |
| -     | AK62-00236-0000 | 1   | Right Pedal Lever Assembly |

## Upper Frame Hardware



| Ref # | Part Number     | Qty | Description                         |
|-------|-----------------|-----|-------------------------------------|
| -     | 0017-00101-1854 | 2   | Hardware: Bullhorn Cover Screw 44MM |
| -     | 0017-00101-2040 | 6   | Hardware: Handlebar Mounting Screw  |
| -     | 0017-00101-1796 | 11  | Hardware: Mounting Screw 19 MM      |
| -     | 0017-00101-1846 | 4   | Hardware: Phillips Pan Screw 10 MM  |
| -     | 0017-00101-2041 | 4   | Hardware: Bullhorn Mounting Screw   |
| -     | 0017-00101-1791 | 6   | Hardware: TORX Screw 19 MM          |
| -     | 0K62-01022-0001 | 1   | Accessory Tray                      |

