

CPO Silver 95 Cross-Trainer

95XS-0109-04

Parts Manual

1/5/2019 11:36:21 AM



Table of Contents

Bearing Insert Assembly.....	3
Cables.....	4
Console And Related Components.....	5
Console Support And Deadshaft Covers.....	6
Crank Arm Pulley Assembly.....	7
Crank Cover And Lower Caps.....	8
Drive Module.....	9
Drive Module Hardware.....	10
Handlebars And Bullhorns.....	11
Lower Frame Shrouds And Hardware.....	12
Miscellaneous.....	13
Pedal Lever Assembly Components.....	14
PCB, Battery, Reed Switch And Bracket.....	16
Rocker Arms And Pedal Levers.....	17
Upper Frame Hardware.....	18

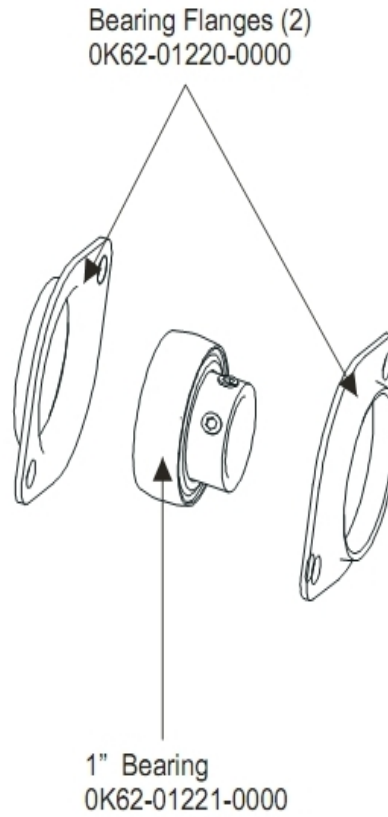
Bearing Insert Assembly

Service Kit-
MGK62-00002-0044
Includes:

- 1 - crankshaft
- 2 - bearings
- 2 - sets of bearing flanges
- 4 - weldnuts and flat washers
- 4 - bolts

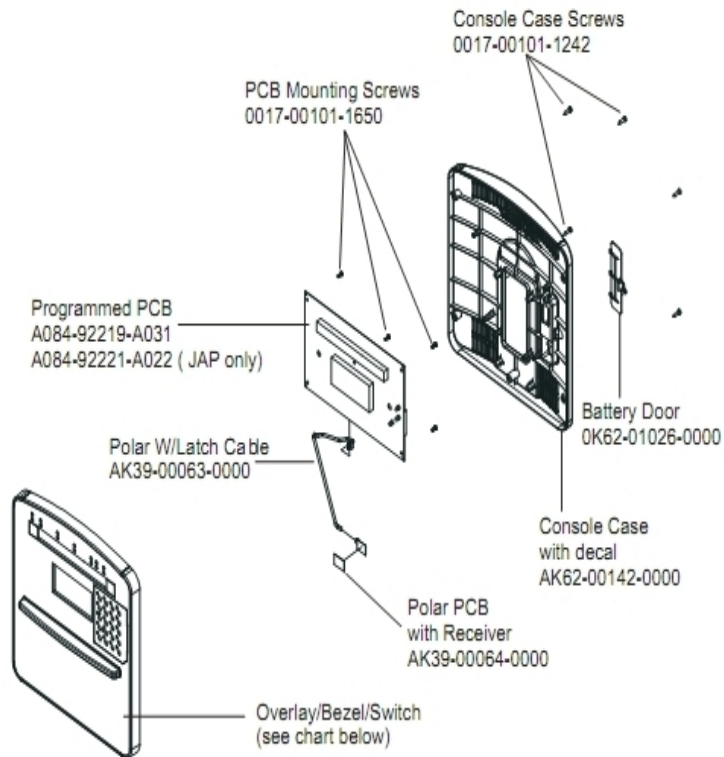
Service Kit- GK62-00002-0045
Includes:

- 1 - intermediate shaft
- 2 - bearings
- 2 - sets of bearing flanges
- 4 - weldnuts and flat washers
- 4 - bolts



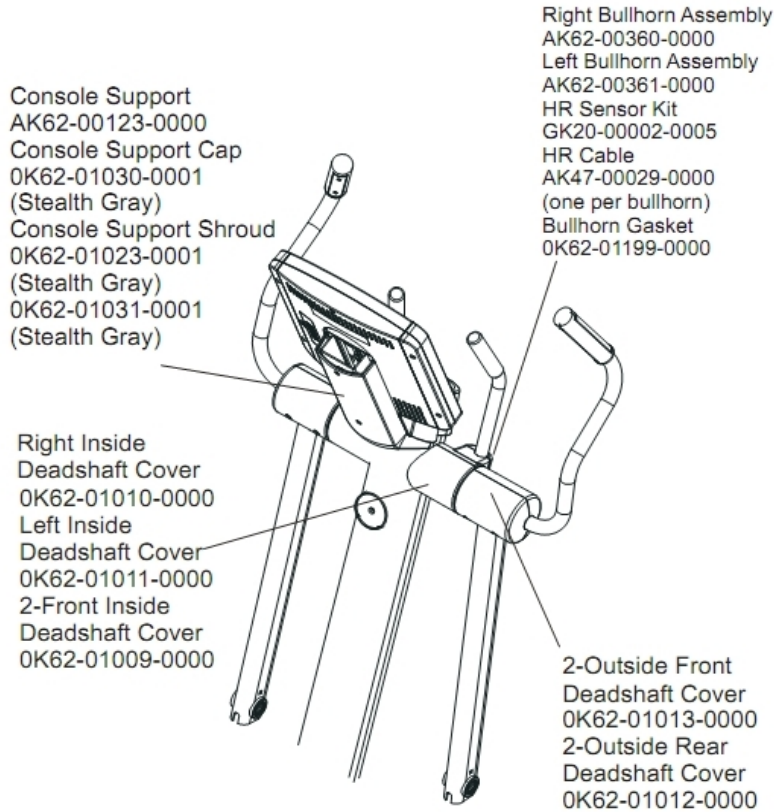
Ref #	Part Number	Qty	Description
-	OK62-01220-0000	2	Bearing Flange
-	OK62-01221-0000	1	1" Bearing
-	GK62-00002-0044	1	Crankshaft Bearing Kit
-	GK62-00002-0045	1	Intermediate Shaft Bearing Kit

Console And Related Components



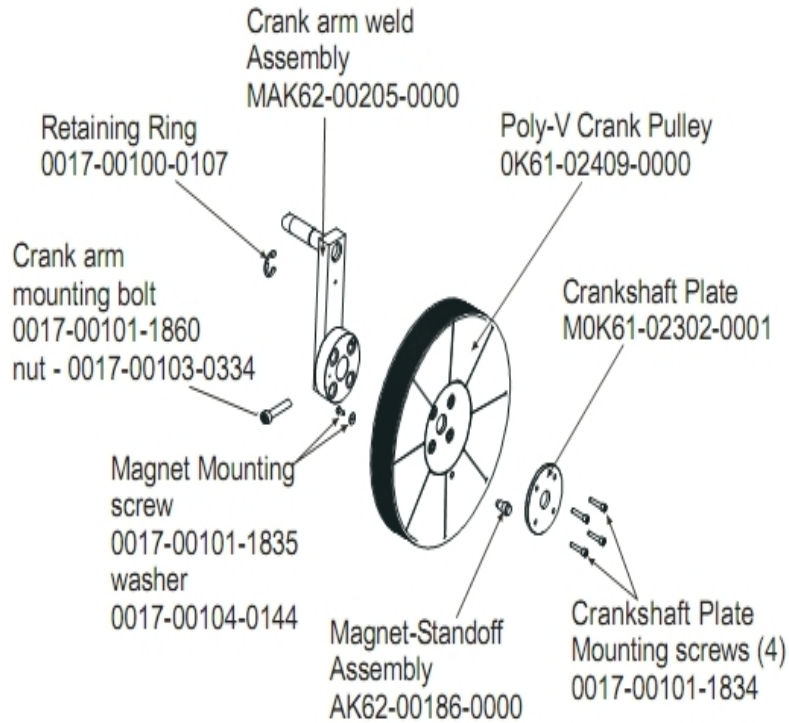
Ref #	Part Number	Qty	Description
-	AK63-00038-0000	1	Lower Console Cable
-	AK39-00063-0000	1	Polar Cable
-	AK62-00329-0001	1	Console English/Metric
-	0017-00101-1650	1	Hardware: Phillips Pan Screw 0.375"
-	0017-00101-1242	1	Hardware: Phillips Pan Screw 0.75"
-	B084-92222-B000	1	Console Board - Lower
-	A084-92219-A032	1	Programmed PCB
-	AK62-00142-0000	1	Console Case with Decal
-	AK62-00191-0001	1	Bezel Switch with Overlay: English/Metric
-	0K62-01026-0000	1	Battery Door
-	118E-00001-0259	1	Wireless Receiver Module, Non-Coded

Console Support And Deadshaft Covers



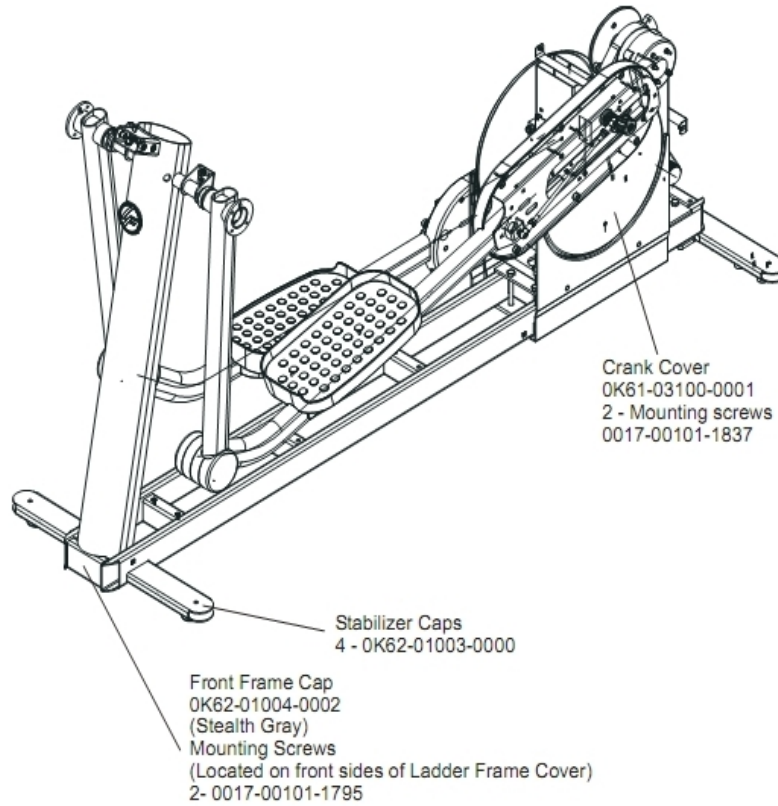
Ref #	Part Number	Qty	Description
-	OK62-01007-0001	1	Bullhorn Cover Right
-	OK62-01012-0000	2	Front Outside Deadshaft Cover
-	OK62-01009-0000	2	Front Inside Deadshaft Cover
-	OK62-01010-0000	1	Right Inside Deadshaft Cover
-	OK62-01008-0001	1	Bullhorn Cover Left
-	AK62-00123-0000	1	Console Support
-	OK62-01030-0001	1	Console Support Cap
-	OK62-01013-0000	2	Rear Outside Deadshaft Cover
-	OK62-01023-0001	1	Console Support Shroud
-	0017-00042-0754	1	Hardware: Grommet
-	OK62-01031-0001	1	Cap
-	OK62-01011-0000	1	Left Inside Deadshaft Cover

Crank Arm Pulley Assembly



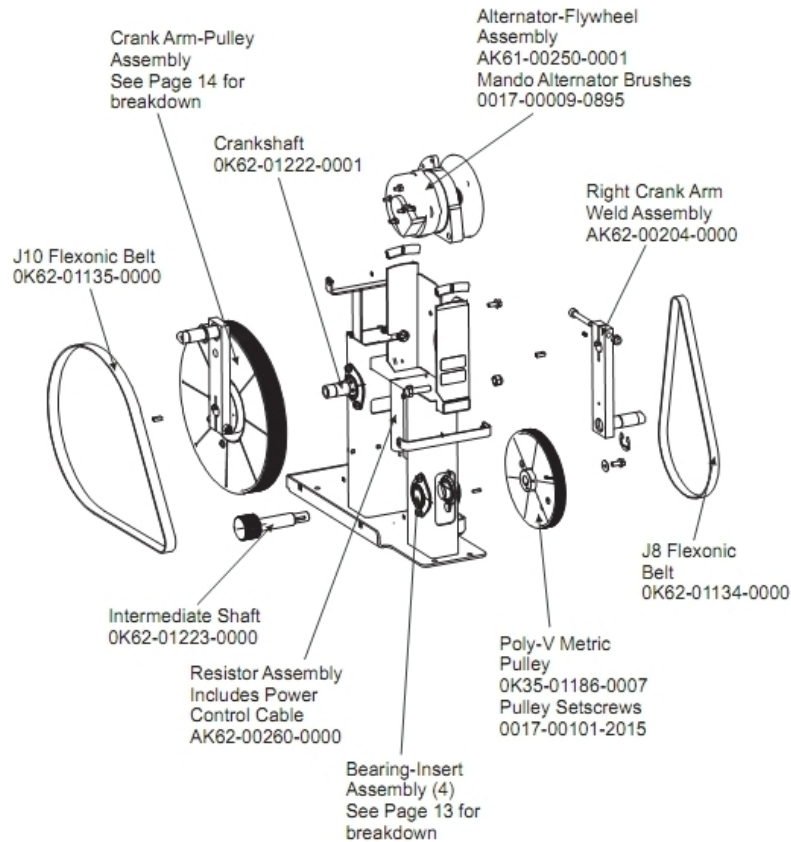
Ref #	Part Number	Qty	Description
-	AK62-00205-0000	1	Crankarm
-	AK62-00186-0000	1	Magnet-Standoff Assembly
-	0017-00101-1834	4	Hardware: Screw 24MM
-	0017-00101-1860	1	Hardware: Crankarm Bolt 65MM
-	OK61-02409-0000	1	Poly-V Crank Pulley
-	OK61-02302-0001	1	Crankshaft Plate
-	0017-00100-0107	1	Hardware: E-Ring 1"
-	0017-00101-1835	1	Hardware: Screw 10MM
-	0017-00103-0334	1	Hardware: Nut 10 MM
-	0017-00104-0144	1	Hardware: Washer 0.625" OD

Crank Cover And Lower Caps



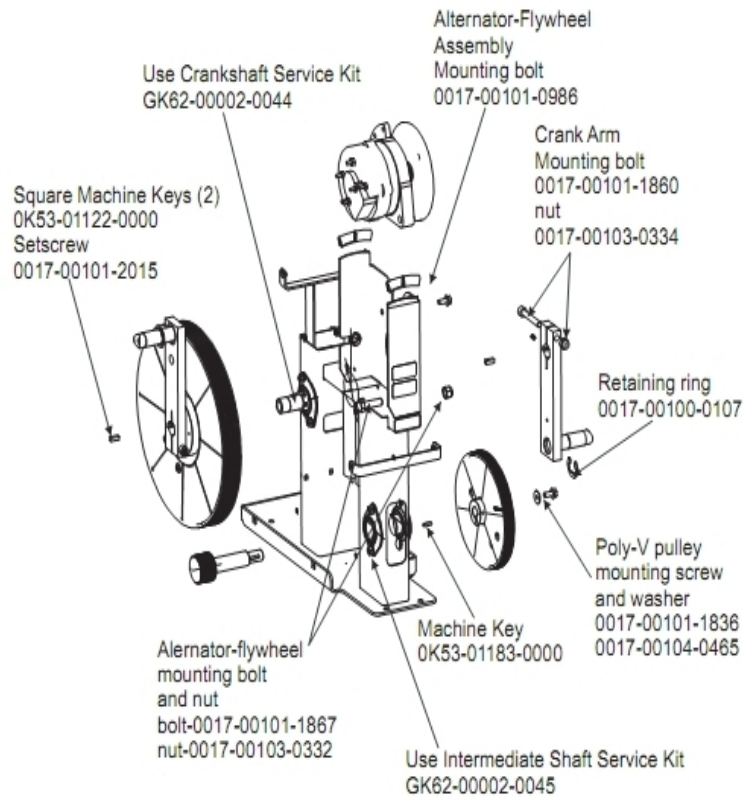
Ref #	Part Number	Qty	Description
-	OK68-01130-0300	4	CAP; STABILIZER; STEALTH GREY
-	OK62-01004-0002	1	Front frame Cap
-	OK61-03100-0002	1	Crank Cover
-	0017-00101-1837	2	Hardware: Screw 18MM
-	0017-00101-1795	2	Hardware: Mounting Screw

Drive Module



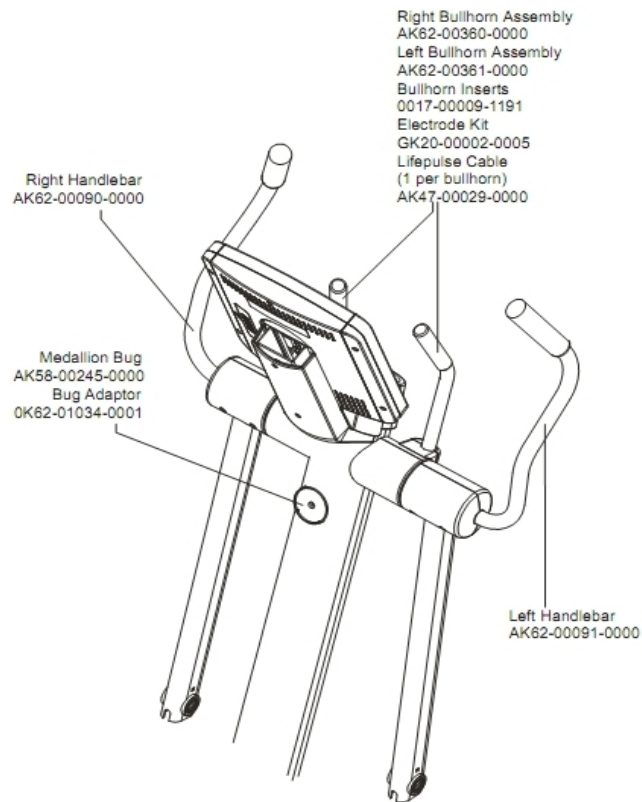
Ref #	Part Number	Qty	Description
-	AK62-00260-0000	1	Resistor Assembly
-	OK62-01134-0000	1	Flexonic Belt
-	AK62-00204-0000	1	Right Crankarm
-	OK35-01186-0007	1	Poly-V Pulley
-	AK61-00250-0001	1	Alternator w/Flywheel
-	0017-00101-2015	1	Hardware: Pulley Set Screw 15 MM
-	OK62-01222-0001	1	Crankshaft
-	0017-00009-0895	1	Alternator Brush Kit
-	OK62-01223-0000	1	Intermediate Shaft
-	OK62-01135-0000	1	Drive Belt

Drive Module Hardware



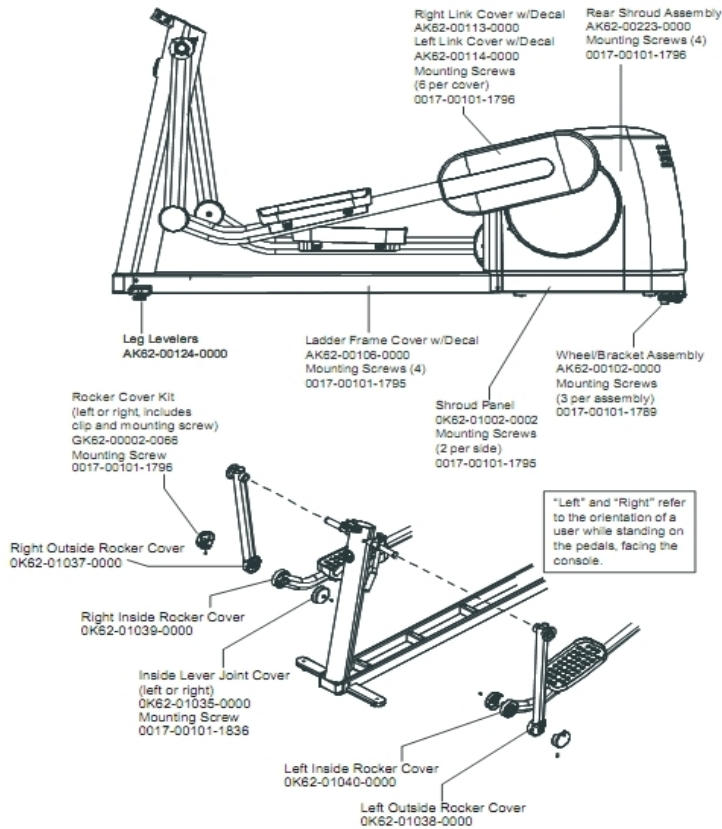
Ref #	Part Number	Qty	Description
-	0017-00101-0986	1	Hardware: Bolt 0.75"
-	0017-00101-1860	1	Hardware: Crankarm Bolt 65MM
-	0017-00103-0332	1	Hardware: Mounting Nut
-	0017-00101-1836	1	Hardware: Screw 10 MM
-	0017-00101-2015	1	Hardware: Pulley Set Screw 15 MM
-	0017-00103-0334	1	Hardware: Nut 10 MM
-	GK62-00002-0044	1	Crankshaft Bearing Kit
-	0K53-01183-0000	1	Hex key
-	0017-00100-0107	1	Hardware: E-Ring 1"
-	0017-00101-1867	1	Hardware: Mounting Bolt 45 MM
-	0017-00101-1833	1	Hardware: Set screw
-	GK62-00002-0045	1	Intermediate Shaft Bearing Kit
-	0K53-01122-0000	2	Square Key
-	0017-00104-0465	1	Hardware: Flat Washer 23MM OD

Handlebars And Bullhorns



Ref #	Part Number	Qty	Description
-	0K62-01199-0000	1	Bullhorn Gasket
-	0K62-01034-0001	1	Bug Adaptor
-	AK62-00360-0000	1	Right Bullhorn
-	AK58-00245-0000	1	Bug Medallion
-	AK62-00087-0000	1	Handlebar: Left
-	AK62-00361-0000	1	Left Bullhorn
-	AK47-00029-0000	1	Lifepulse Cable
-	AK62-00086-0000	1	Handlebar: Right
-	AK61-00051-0001	1	Lifepulse: User-Arm
-	GK20-00002-0005	2	Heart Rate Electrode Kit

Lower Frame Shrouds And Hardware

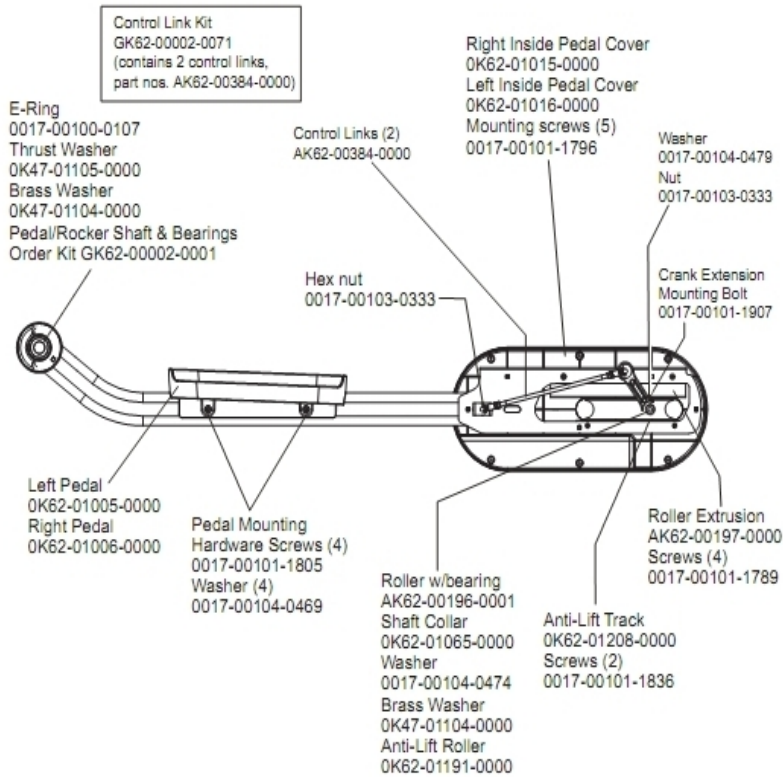


Ref #	Part Number	Qty	Description
-	OK62-01035-0000	1	Inside Lever Joint Cover
-	AK62-00124-0000	1	Leg Leveler
-	OK62-01037-0000	1	
-	AK62-00114-0000	1	Link Cover with Decal: Left
-	GK62-00002-0066	1	Rocker Cover Kit
-	0017-00101-1795	6	Hardware: Mounting Screw
-	0017-00101-1836	1	Hardware: Screw 10 MM
-	AK62-00102-0000	1	Wheel/Bracket Assembly
-	AK62-00223-0000	1	Rear Shroud Assembly
-	OK62-01002-0003	1	Shroud Panel
-	0017-00101-1789	3	Hardware: Mounting Screws
-	OK62-01039-0000	1	Right Inside Lever Joint Cover
-	0017-00101-1796	11	Hardware: Mounting Screw 19 MM
-	OK62-01040-0000	1	Left Inside Lever Joint Cover
-	AK62-00106-0001	1	Ladder Frame Cover with Decal
-	AK62-00113-0000	1	Link Cover with Decal: Right
-	OK62-01038-0000	1	Left Inside Rocker Cover

Miscellaneous

Ref #	Part Number	Qty	Description
-	0017-00021-2846	1	F-Type Panel Connector
-	0017-00008-0205	1	5 oz Bottle - Arctic Silver
-	AK62-00152-0001	1	Hardware Bag
-	0017-00008-0204	1	Paint Spray Can - Arctic Silver
-	AK32-00078-0001	1	Power Extension Cable: 120"
-	AK62-00210-0000	1	Power-Cable with Bracket Assembly
-	0K62-01179-0001	1	Bracket: Access Panel; Plug-in
-	0017-00008-0206	1	.33oz Pen - Arctic Silver
-	0017-00042-0754	1	Hardware: Grommet
-	GK62-00002-0018	1	Plug in Option 120/60
-	AK32-00020-0002	1	Coax Cable: 120"

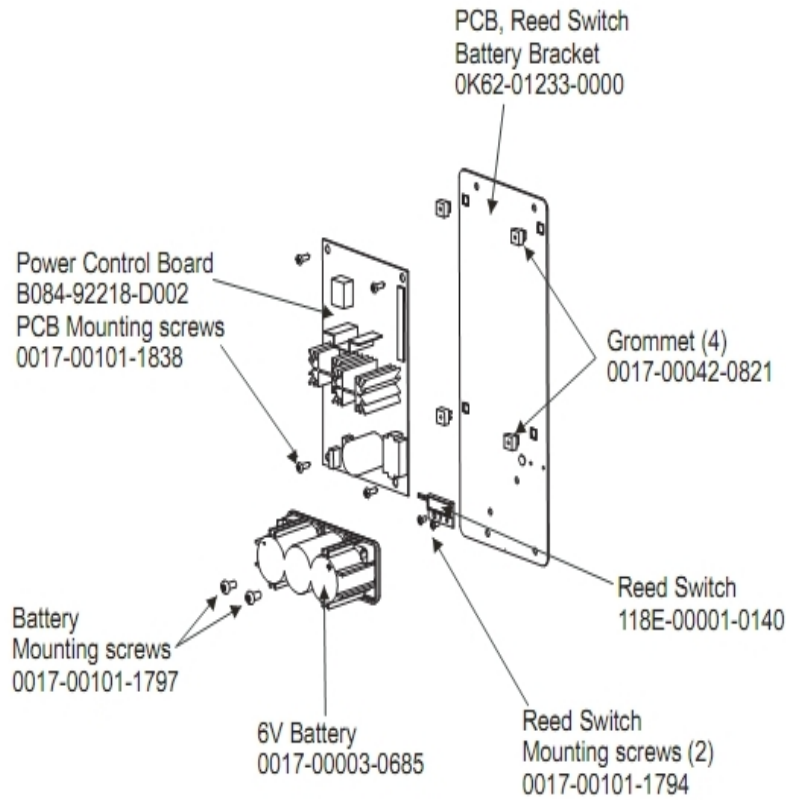
Pedal Lever Assembly Components



Ref #	Part Number	Qty	Description
-	0K62-01065-0000	1	Shaft Collar
-	0K47-01104-0000	2	Hardware: Thrust Washer
-	0017-00100-0107	1	Hardware: E-Ring 1"
-	AK62-00196-0001	1	Roller with Bearing
-	AK62-00197-0000	1	Roller Extrusion
-	GK62-00002-0001	1	Pedal/Rocker Shaft and Bearings
-	GK62-00002-0071	3	Control Link Kit
-	0017-00101-1789	4	Hardware: Mounting Screws
-	0K62-01016-0000	1	Inside Pedal Cover Left
-	0K62-01208-0000	1	Anti-Lift Track
-	0K62-01005-0000	1	Left Pedal
-	0K62-01006-0000	1	Right Pedal
-	0017-00101-1796	5	Hardware: Mounting Screw 19 MM
-	0017-00104-0474	1	Hardware: Washer
-	0K62-01191-0000	1	Anti-Lift Roller
-	0K62-01015-0000	1	Inside Pedal Cover Right
-	0017-00104-0479	1	Hardware: Flat Washer 25.4MM OD
-	0017-00101-1836	2	Hardware: Screw 10 MM
-	0017-00104-0469	4	Hardware: Flat Washer 16MM OD
-	0017-00101-1907	1	Hardware: Crank Extension Mounting Bolt
-	0017-00103-0333	2	Hardware: Hex Nut
-	0K47-01105-0000	1	Hardware: Hardened Thrust Washer

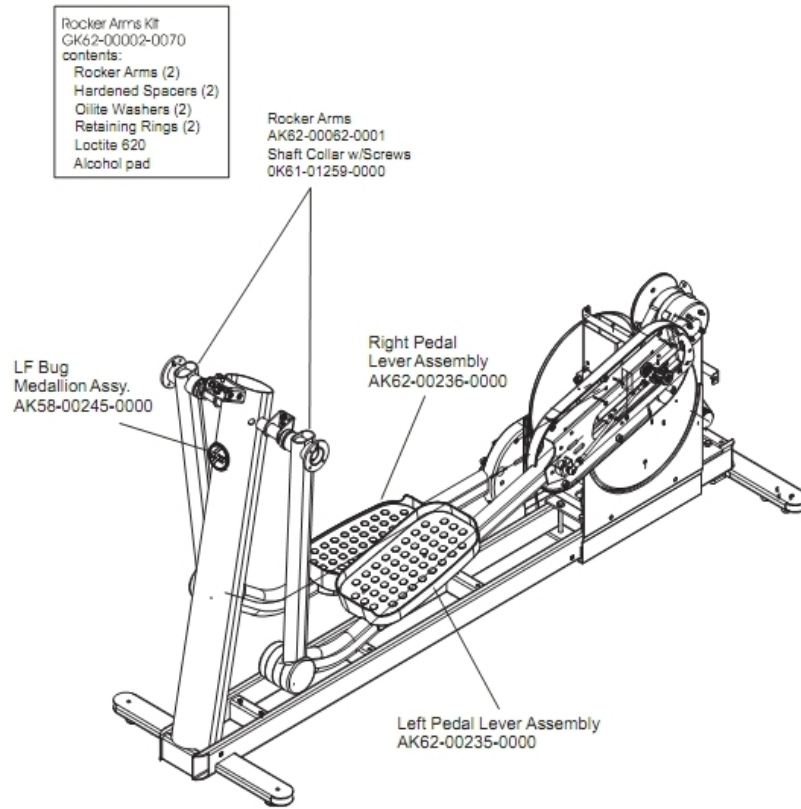
Ref #	Part Number	Qty	Description
-	0017-00101-1803	1	Hardware: Setscrew
-	0017-00101-1805	4	Hardware: TORX Screw 25 MM

PCB, Battery, Reed Switch And Bracket



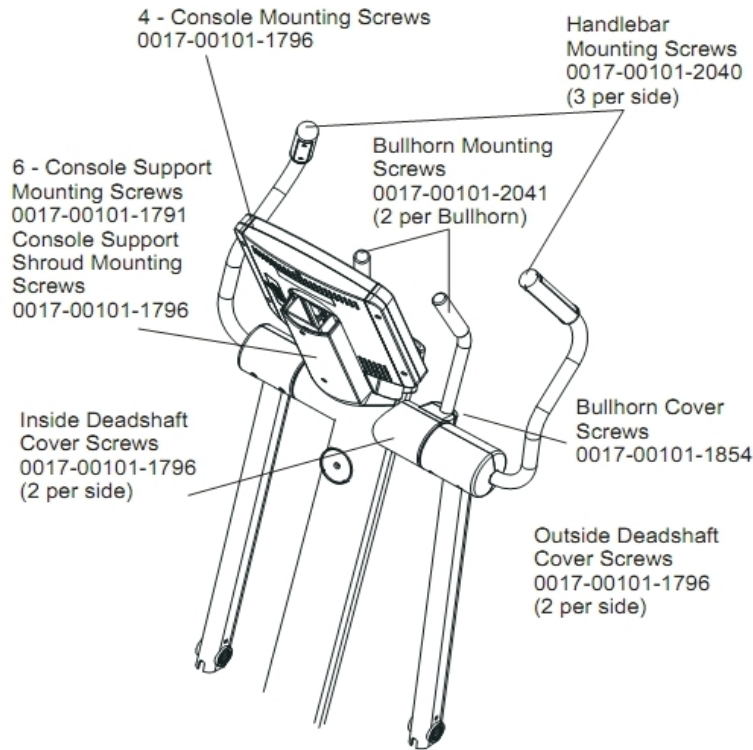
Ref #	Part Number	Qty	Description
-	118E-00001-0140	1	Reed Switch SPDT
-	0017-00101-1794	2	Hardware: Screw 10MM
-	0017-00101-1838	1	Hardware: Mounting Screw 19 MM
-	0K62-01233-0000	1	PCB Reed Switch Battery Bracket
-	B084-92218-0000	1	PCB Circuit Board
-	0017-00101-1797	1	Hardware: Mounting Screw 16 MM
-	0017-00042-0821	4	Hardware: Plastic Grommet
-	0017-00003-0685	1	6V Battery

Rocker Arms And Pedal Levers



Ref #	Part Number	Qty	Description
-	GK62-00002-0070	2	Rocker Arm Kit
-	AK58-00245-0000	1	Bug Medallion
-	AK62-00235-0000	1	Left Pedal Lever Assembly
-	AK62-00236-0000	1	Right Pedal Lever Assembly
-	OK61-01259-0000	1	Shaft Split Collar

Upper Frame Hardware



Items Not Shown:

Accessory Tray	0K62-01022-0001 (Stealth Gray)
Mounting Screws (2)	0017-00101-1846

Ref #	Part Number	Qty	Description
-	M0017-00101-1791	6	Hardware: Mounting Screw
-	0017-00101-2041	1	Hardware: Bullhorn Mounting Screw
-	0017-00101-1854	1	Hardware: Bullhorn Cover Screw 44MM
-	0017-00101-1796	13	Hardware: Mounting Screw 19 MM
-	0K62-01022-0001	1	Accessory Tray
-	0017-00101-1846	2	Hardware: Phillips Pan Screw 10 MM
-	0017-00101-2040	3	Hardware: Handlebar Mounting Screw

