

# 95X Cross-Trainer Base - White

95XS-ALLXX-2107

## Parts Manual

1/5/2019 11:36:22 AM

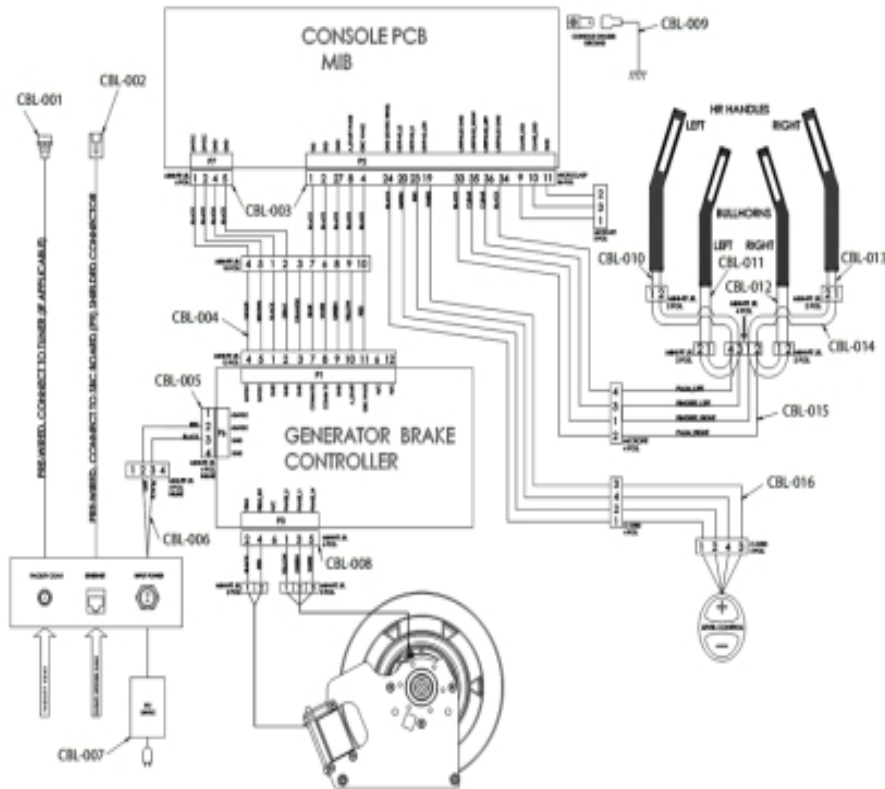


## Table of Contents

---

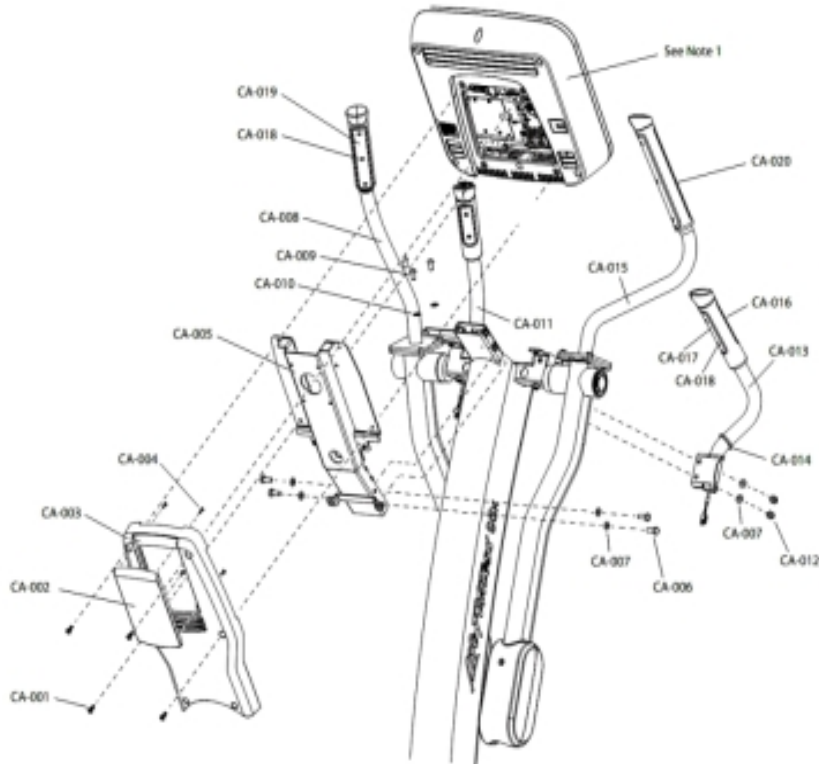
<a href="#">Base Frame Electronics - Cables.....</a>	<a href="#">3</a>
<a href="#">Console Assembly, Bullhorns, Handlebars, Bracket and Covers.....</a>	<a href="#">4</a>
<a href="#">Cover and Rocking Links.....</a>	<a href="#">6</a>
<a href="#">Deadshaft, Tower and Frame Covers.....</a>	<a href="#">7</a>
<a href="#">Drive System - Upper Tower Components.....</a>	<a href="#">8</a>
<a href="#">Frame System - Collar Covers and Dead Shaft End Caps.....</a>	<a href="#">9</a>
<a href="#">Frame System - Rocker Arms and Front Clevis Covers.....</a>	<a href="#">10</a>
<a href="#">Linkage System - Pedal Levers.....</a>	<a href="#">11</a>
<a href="#">Miscellaneous Part Numbers.....</a>	<a href="#">12</a>
<a href="#">Mono-Column and Stabilizer Assemblies.....</a>	<a href="#">13</a>
<a href="#">Timing System - Left Rocker Assembly Component.....</a>	<a href="#">14</a>
<a href="#">Timing System - Right Rocker Assembly Component.....</a>	<a href="#">16</a>

## Base Frame Electronics - Cables



Ref #	Part Number	Qty	Description
CBL-001	AK65-00062-0000	1	Cable: Coax RG6 Base
MISC-001	0017-00003-1051	1	POWER SUPPLY: 39VDC, 1.66A
CBL-002	AK70-00092-0000	1	CABLE ASSY: CAT5E, V2, 84 INCH
CBL-003	AK92-00048-0001	1	CABLE ASSY, EXTENSION TO CONSOLE(CROSSTRAINER)
CBL-004	AK92-00033-0000	1	PCB TO CONSOLE CABLE
CBL-005	AK92-00062-0000	1	EXTERNAL POWER WITH GROUND EXTENSION CABLE ASSEMBLY
CBL-006	AK92-00067-0000	1	CABLE ASSEMBLY: EXTERNAL POWER; CT
CBL-007	0017-00003-1091	1	POWER SUPPLY: 24VDC, 5A
CBL-008	AK69-00104-0000	1	Generator/Brake to GBC Cable
CBL-009	AK65-00103-0002	1	CBL ASSY: GROUND, ESD
CBL-012	AK61-00051-0002	2	Cable Assembly: User Arm
CBL-013	AK61-00051-0000	2	Bullhorn HR cables
CBL-014	AK69-00110-0000	1	LifePulse Flex Cable
CBL-015	AK69-00109-0000	1	LifePulse Y Cable
CBL-016	AK69-00108-0000	1	Keypad Cable

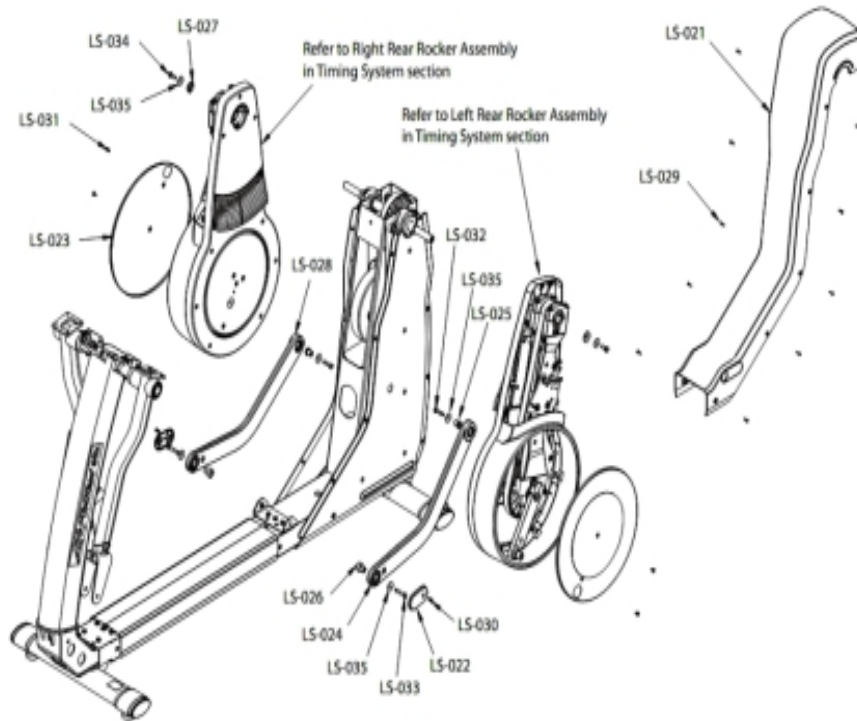
## Console Assembly, Bullhorns, Handlebars, Bracket and Covers



Ref #	Part Number	Qty	Description
CA-001	0017-00101-1972	4	Hardware: Screw 14MM
CA-002	AK92-00058-2400	1	ASSY: COVER; REMOVABLE DOOR; CHGR
CA-003	0K69-01122-2400	1	COVER: CONSOLE; BACK; CHGR
CA-004	0017-00101-1650	4	Hardware: Phillips Pan Screw 0.375"
CA-005	AK69-00081-0000	1	Console Support Bracket
CA-006	0017-00101-1906	4	Hardware: Hex Screw 20 MM
CA-007,CA-010	0017-00104-0469	10	Hardware: Flat Washer 16MM OD
CA-008	AK69-00085-2400	1	HANDLEBAR-ASSY: CT; LT; CHGR
CA-009	0017-00101-2007	6	Hardware: Mounting Bolt 16MM
CA-011	AK69-00062-2400	1	BULLHORN: ASSY; LT; CHGR
CA-012	0017-00103-0333	4	Hardware: Hex Nut
CA-013	AK69-00068-2400	1	BULLHORN: ASSY; RT; CHGR
CA-014	0K62-01199-0703	4	GASKET: BULLHORN, BLACK
CA-015	AK69-00087-2400	1	HANDLEBAR-ASSY: CT; RT; CHGR
CA-016	AK69-00139-2404	1	ELECTRODE: INSERT-MOLDED ASSY, 4 INCH, TOP, CHARCOAL GRAY
CA-017	AK69-00140-2404	1	ELECTRODE: INSERT-MOLDED ASSY, 4 INCH, BOTTOM, CHARCOAL GRAY
CA-018	0017-00101-2054	6	Hardware: Screw 1"

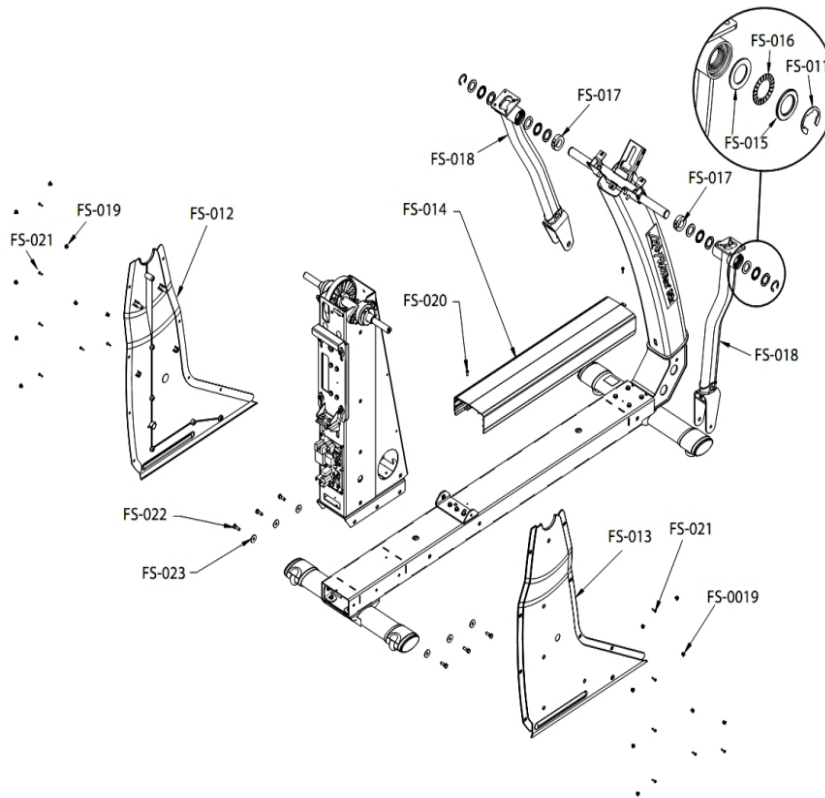
Ref #	Part Number	Qty	Description
CA-020	AK69-00102-2401	1	ELECTRODE: INSERT-MOLDED, BOTTOM, CHARCOAL GRAY
CA-021	AK69-00101-2401	1	ELECTRODE: INSERT-MOLDED, TOP, CHARCOAL GRAY

## Cover and Rocking Links



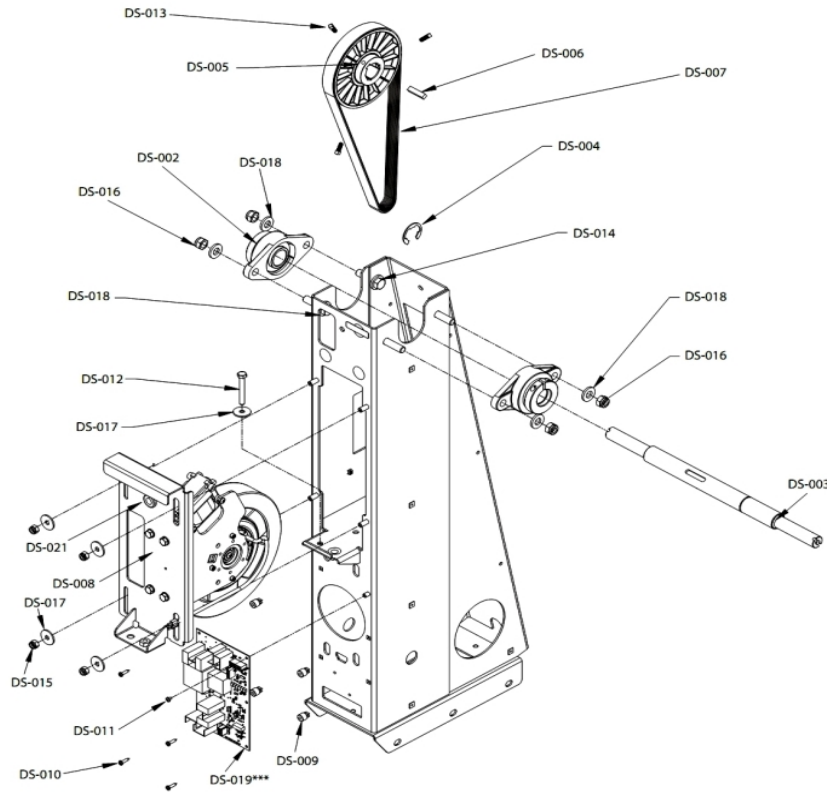
Ref #	Part Number	Qty	Description
LS-021	AK69-00083-2400	1	ASSY: REAR TOWER; TOP; CHGR
LS-022	0K69-01119-2400	2	COVER: LOWER ROCKING LINK; CHGR
LS-023	AK69-00096-2100	2	ASSY: CRANK COVER; OUTER; W/DECAL; PLWT
LS-024	AK69-00113-2400	1	LOW ROCKING LINK ASSY: LT; W/BRGS; CHGR
LS-025	0K69-01178-0000	2	Rear Spacer
LS-026	0K69-01079-0000	2	Front Spacer
LS-027	0K69-01175-0001	2	Hardware: Keyed Washer
LS-028	AK69-00112-2400	1	LOW ROCKING LINK ASSY: RT; W/BRGS; CHGR
LS-029	0017-00101-1796	10	Hardware: Mounting Screw 19 MM
LS-030	0017-00101-1940	2	Hardware: Screw 14MM
LS-031	0017-00101-1988	4	Hardware: Outside Crank Cover Mounting Screw 14MM
LS-032	0017-00101-2023	2	Hardware: Rear Rocking Link Screw 38MM
LS-033	0017-00101-2037	2	Hardware: SCR: M8 X 1.25 X 50 HEX
LS-034	0017-00101-1931	2	Hardware: Front Stabilizer Mtg Bolts 25MM
LS-035	0017-00104-0409	2	Hardware: Washer 1.125" OD
LS-036	0017-00101-1986	4	Hardware: Mounting Screw 16MM

## Deadshaft, Tower and Frame Covers



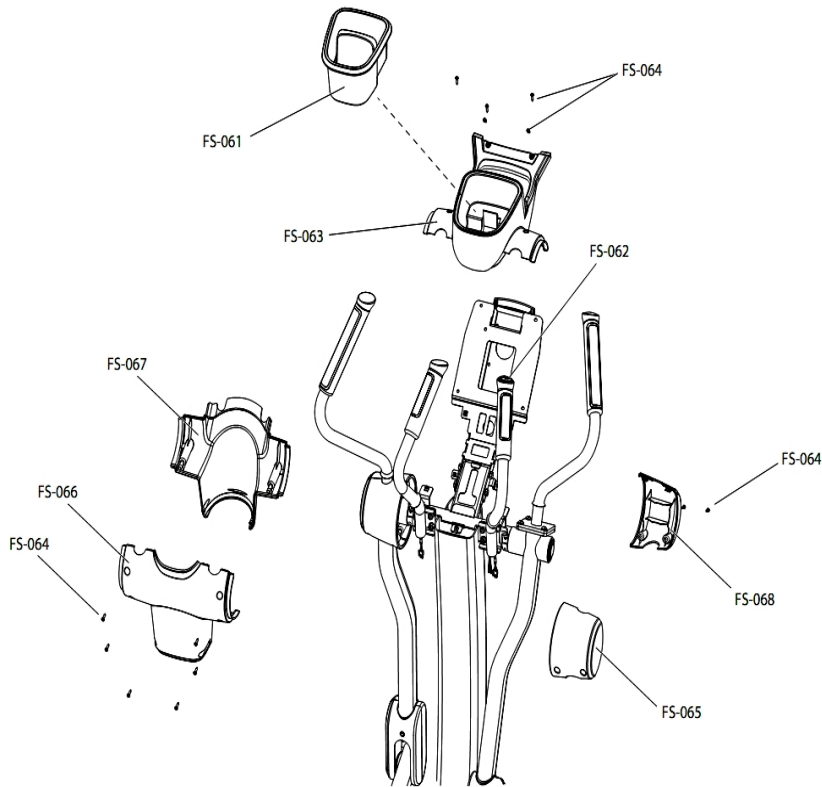
Ref #	Part Number	Qty	Description
FS-011	0017-00100-0148	2	E clip
FS-012	0K69-01135-2400	1	COVER: REAR TOWER; LEFT; CHGR
FS-013	0K69-01136-2400	1	COVER: REAR TOWER; RIGHT; CHGR
FS-014	0K69-01132-2100	1	COVER; MAIN FRAME; PURCH PLWT
FS-015	0K69-01074-0000	4	Hardware: Thrust Washer 47 MM OD
FS-016	0017-00006-0294	2	Thrust Bearing
FS-017	0K69-01018-0000	2	Shaft Collar
FS-018	AK69-00045-2600	2	ROCKER ARM W/BEARING; SM-CHGR
FS-019	0017-00042-1147	14	Hardware: Nylon Grommet
FS-020	0017-00101-1986	2	Hardware: Mounting Screw 16MM
FS-021	0017-00101-1796	14	Hardware: Mounting Screw 19 MM
FS-022	0017-00101-1931	3	Hardware: Front Stabilizer Mtg Bolts 25MM
FS-023	0017-00104-0409	3	Hardware: Washer 1.125" OD

## Drive System - Upper Tower Components



Ref #	Part Number	Qty	Description
DS-002	0K69-01250-0000	2	BRG: 360 DEGREE LOCKING FLANGE
DS-003	0K69-01030-0000	1	Drive Shaft
DS-004	0017-00100-0148	1	E clip
DS-005	0K69-01020-0000	1	Drive Pulley
DS-006	0K69-01021-0000	1	Hex Key: 8 X 7 X 34
DS-007	0K69-01256-0000	1	BELT: POLY-V; 360J10; 36.00 IN
DS-008	AK69-00075-0000	1	ASSY: GENERATOR, MTG
DS-009	0017-00042-1226	1	Hardware: Plastic Grommet
DS-010	0017-00101-1795	5	Hardware: Mounting Screw
DS-011	0017-00101-2107	1	SCR: M4 X 0.70-6G6G X 6 PHL PAN MS ST ZS
DS-012	0017-00101-2002	1	Hardware: Tension Bolt 60MM
DS-013	0017-00101-2015	3	Hardware: Pulley Set Screw 15 MM
DS-014	0017-00101-1867	4	Hardware: Mounting Bolt 45 MM
DS-015	0017-00103-0333	4	Hardware: Hex Nut
DS-016	0017-00103-0332	4	Hardware: Mounting Nut
DS-017	0017-00104-0409	1	Hardware: Washer 1.125" OD
DS-018	0017-00104-0193	4	Hardware: Washer 1.06" OD
DS-019	A084-92389-0001	1	PROGRAMMED PCB: B084-92389-0001
DS-021	0K62-01189-0000	7	Elastomer Split Grommet

## Frame System - Collar Covers and Dead Shaft End Caps



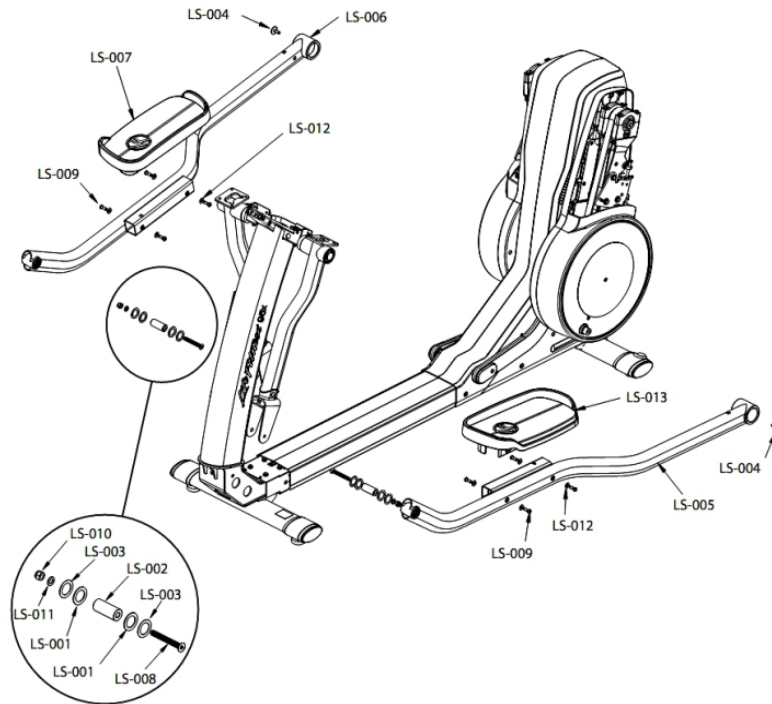
Ref #	Part Number	Qty	Description
FS-061	0K69-01125-2404	1	COVER: DEADSHAFT; MEDIA TRAY
FS-062	AK69-00100-0700	1	ASSEMBLY: BUTTON, BLACK
FS-063	0K69-01124-2400	1	COVER: DEADSHAFT; TOP; CHGR
FS-064	0017-00101-1796	13	Hardware: Mounting Screw 19 MM
FS-065	0K69-01127-2400	1	COVER: DEADSHAFT; END CAP 1; CHGR
FS-066	0K69-01123-2400	1	COVER: DEADSHAFT; FRONT COLLAR; CHGR
FS-067	0K69-01121-2400	1	COVER: DEADSHAFT; REAR COLLAR; CHGR
FS-068	0K69-01128-2400	1	COVER: DEADSHAFT; END CAP 2; CHGR

## Frame System - Rocker Arms and Front Clevis Covers

---

Ref #	Part Number	Qty	Description
FS-001	AK69-00125-2400	1	SUB-ASSY: REAR ACCESS COVER & DECAL; CHGR
FS-002	0K69-01114-2400	1	COVER: INSIDE CLEVIS; LEFT; CHGR
FS-003	0K69-01116-2400	1	COVER: OUTSIDE CLEVIS; LEFT; CHGR
FS-004	0K69-01115-2400	1	COVER: INSIDE CLEVIS; RIGHT; CHGR
FS-005	0K69-01117-2400	1	COVER: OUTSIDE CLEVIS; RIGHT; CHGR
FS-006	0K69-01108-2400	2	COVER: UPPER LINK; CHGR
FS-007	0K69-01130-2400	2	COVER: CLEVIS REAR; TOP; CHGR
FS-008	0K69-01131-2400	2	COVER: CLEVIS REAR; BOTTOM; CHGR
FS-009	0017-00101-1796	4	Hardware: Mounting Screw 19 MM
FS-069	AK69-00124-2400	1	SUB-ASSY: COVER; FRONT ELBOW; RIGHT; CHGR
FS-070	AK69-00124-2401	1	SUB-ASSY: COVER; FRONT ELBOW; LEFT; CHGR

## Linkage System - Pedal Levers



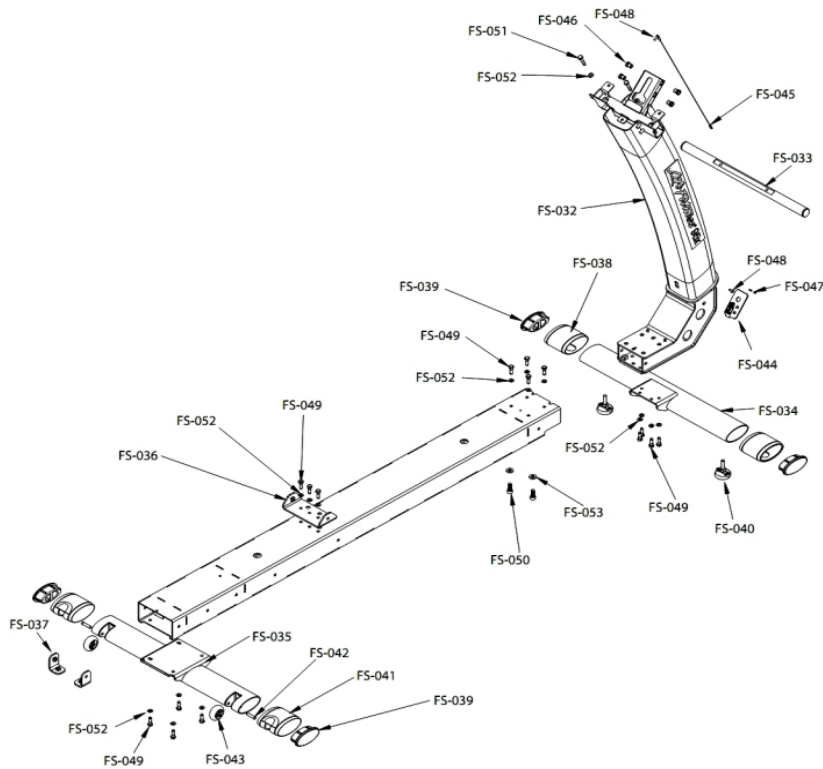
Ref #	Part Number	Qty	Description
LS-001	0K47-01104-0000	4	Hardware: Thrust Washer
LS-002	0K69-01075-0000	2	Shaft
LS-003	0K69-01190-0000	4	Hardware: Steel Thrust Washer
LS-004	0K69-01231-0000	2	Hardware: Rear Mounting Bolt
LS-005	AK69-00037-2600	1	PEDAL LEVER ASSY: LEFT W/BEARING; SM-CHGR
LS-006	AK69-00038-2600	1	PEDAL LEVER ASSY: RIGHT W/BEARING; SM-CHGR
LS-007	0K69-01100-0700	1	PEDAL: RIGHT; BLK
LS-008	0017-00101-1955	2	Hardware: Hex Bolt 85MM
LS-009	0017-00101-1929	8	Hardware: Pedal Mounting Screws 25MM
LS-010	0017-00103-0334	2	Hardware: Nut 10 MM
LS-011	0017-00104-0190	2	Hardware: Flat Washer 0.734" OD
LS-012	0017-00104-0510	8	Hardware: Washer 19 MM OD
LS-013	0K69-01099-0700	1	PEDAL: LEFT; BLK

## Miscellaneous Part Numbers

---

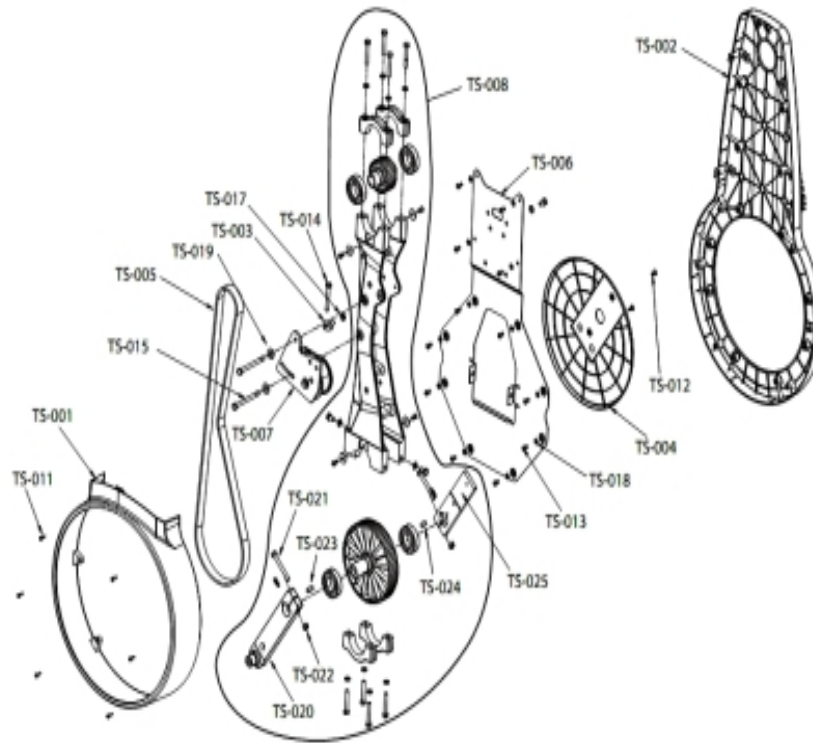
Ref #	Part Number	Qty	Description
MISC-001	0017-00003-1091	1	POWER SUPPLY: 24VDC, 5A
MISC-002	0017-00003-0704	1	Line Cord 10A 125 V
MISC-003	0017-00003-0691	1	Line Cord Cont 10A 250 V
MISC-004	0017-00003-0889	1	Line Cord Cont U.K. 10A
MISC-005	0017-00003-0918	1	Line Cord - Australia
MISC-006	0017-00003-1012	1	Line Cord China 10A 250 V
MISC-007	0K69-01255-2400	1	POWER BRICK CLIP; CHGR
MISC-010	0017-00008-0223	1	WHITE BASE COAT FOR PEARLESCENT WHITE AEROSOL
MISC-011	0017-00008-0225	1	WHITE BASE COAT FOR PEARLESCENT WHITE TOUCH UP
MISC-012	0017-00008-0224	1	PEARLESCENT TOP COAT FOR PEARLESCENT WHITE AEROSOL
MISC-013	0017-00008-0226	1	PEARLESCENT TOP COAT FOR PEARLESCENT WHITE TOUCH UP
MISC-018	0017-00008-0231	1	CHARCOAL GRAY AEROSOL
MISC-019	0017-00008-0232	1	CHARCOAL GRAY TOUCH UP

## Mono-Column and Stabilizer Assemblies



Ref #	Part Number	Qty	Description
FS-032	AK69-00122-2101	1	ASSY: MONOCOLUMN W/DECAL; PLWT
FS-033	0K69-01062-0000	1	Dead Shaft
FS-034	AK69-00118-2400	1	ASSY: STABILIZER; PAINTED; FRONT; CHGR
FS-035	AK69-00090-2400	1	ASSY: STABILIZER; REAR; PAINTED; CHGR
FS-036	AK69-00170-0000	1	Rocking Link Bracket with Weldnuts
FS-037	AK69-00169-0000	2	Weldment: Frame Stiffner
FS-038	0K69-01139-0700	1	SHROUD: FRONT STABILIZER; BLK
FS-039	0K66-01042-0700	1	END CAP: FRONT STABILIZER; BLK
FS-040	0K68-01047-0000	2	Leg Leveler
FS-041	0K66-01041-0700	1	SHROUD: REAR STABILIZER
FS-042	0K66-01040-0000	1	Wheel Shaft
FS-043	0K66-01039-0000	1	Wheel
FS-044	AK66-00161-2400	1	BRKT ASSY: POWER/COAX INPUT; CHGR
FS-045	AK65-00103-0002	1	CBL ASSY: GROUND, ESD
FS-047	0017-00101-2106	2	SCR: M2.5 X 1.06 X 10MM PHL PAN PLT ST ZS
FS-048	0017-00101-1986	2	Hardware: Mounting Screw 16MM
FS-049	0017-00101-1931	4	Hardware: Front Stabilizer Mtg Bolts 25MM
FS-050	0017-00101-1966	2	Hardware: M10 X1.50-6G6GX 25 DIN HEX SOC CAP ST ZN
FS-051	0017-00101-1925	2	Hardware: Mounting Bolt 40MM
FS-052	0017-00104-0469	6	Hardware: Flat Washer 16MM OD
FS-053	0017-00104-0263	2	Hardware: Washer 0.875" OD

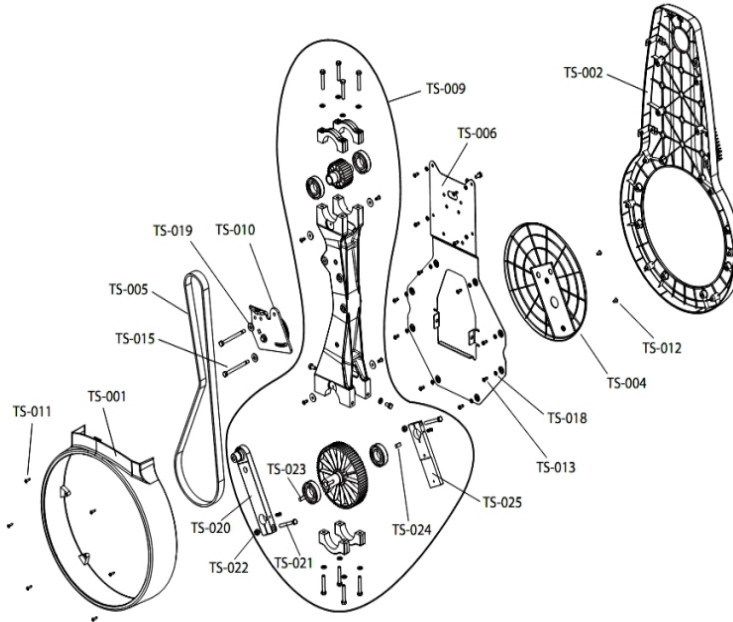
## Timing System - Left Rocker Assembly Component



Ref #	Part Number	Qty	Description
TS-001	0K69-01109-2400	1	COVER: LOWER LINK; CHGR
TS-002	AK69-00123-2400	1	SUB-ASSY: INNER LINK COVER; CHGR
TS-003	0K69-01174-0000	1	Tension Pivot Bracket
TS-004	0K69-01232-2401	1	COVER: CRANK; INNER; PLASTIC; CHGR
TS-005	0K69-01041-0002	2	Timing Belt 25mm
TS-006	AK69-00077-0000	1	ASSY: UPPER MTG BRKT; INNER LINK COVER
TS-007	AK69-00029-0000	1	Left Idler Bracket Assembly
TS-008	GK69-00002-0004	1	Kit: Left Rocker Casting w/ Pulleys
TS-011	0017-00101-1796	6	Hardware: Mounting Screw 19 MM
TS-012	0017-00101-1988	2	Hardware: Outside Crank Cover Mounting Screw 14MM
TS-013	0017-00101-2014	12	SCREW: M6 X 1-6G6H X 14, DIN, HEX, BUT, L, ST, ZB
TS-014	0017-00101-2002	1	Hardware: Tension Bolt 60MM
TS-015	0017-00101-1951	2	Hardware: Idler Bracket Mounting Screws 100MM
TS-017	0017-00103-0338	1	Hardware: Hex Nut 8 MM
TS-018	0017-00104-0488	12	Hardware: Flat Washers 11.5 MM OD
TS-019	0017-00104-0334	2	Hardware: Flat Washers 0.880" OD
TS-020	0K69-01227-0000	1	Crank Arm
TS-021	0017-00101-1905	2	Hardware: Bolt 70 MM
TS-022	0017-00103-0333	2	Hardware: Hex Nut
TS-023	0K69-01023-0000	1	Hex Key: 8 X 7 X 20

<b>Ref #</b>	<b>Part Number</b>	<b>Qty</b>	<b>Description</b>
TS-024	0K69-01024-0000	1	Hex Key: 8 X 7 X 16
TS-025	0K69-01038-0000	1	Inner Crank Arm

## Timing System - Right Rocker Assembly Component



Ref #	Part Number	Qty	Description
TS-001	0K69-01109-2400	1	COVER: LOWER LINK; CHGR
TS-002	AK69-00123-2400	1	SUB-ASSY: INNER LINK COVER; CHGR
TS-004	0K69-01232-2401	1	COVER: CRANK; INNER; PLASTIC; CHGR
TS-005	0K69-01041-0002	2	Timing Belt 25mm
TS-006	AK69-00077-0000	1	ASSY: UPPER MTG BRKT; INNER LINK COVER
TS-009	GK69-00002-0003	1	Kit: Right Rocker Casting w/ Pulleys
TS-010	AK69-00029-0001	1	Right Idler Bracket Assembly
TS-011	0017-00101-1796	6	Hardware: Mounting Screw 19 MM
TS-012	0017-00101-1988	2	Hardware: Outside Crank Cover Mounting Screw 14MM
TS-013	0017-00101-2014	12	SCREW: M6 X 1-6G6H X 14, DIN, HEX, BUT, L, ST, ZB
TS-015	0017-00101-1951	2	Hardware: Idler Bracket Mounting Screws 100MM
TS-018	0017-00104-0488	12	Hardware: Flat Washers 11.5 MM OD
TS-019	0017-00104-0334	2	Hardware: Flat Washers 0.880" OD
TS-020	0K69-01227-0000	1	Crank Arm
TS-021	0017-00101-1905	2	Hardware: Bolt 70 MM
TS-022	0017-00103-0333	2	Hardware: Hex Nut
TS-023	0K69-01023-0000	1	Hex Key: 8 X 7 X 20
TS-024	0K69-01024-0000	1	Hex Key: 8 X 7 X 16
TS-025	0K69-01038-0000	1	Inner Crank Arm

