

# 95Xi Cross-Trainer

95XW-0000-03

## Parts Manual

1/5/2019 11:37:44 AM



**Table of Contents**

---

<a href="#">Bearing Insert Assembly</a> .....	3
<a href="#">Cables</a> .....	4
<a href="#">Console And Related Components</a> .....	5
<a href="#">Console Support And Deadshaft Covers</a> .....	6
<a href="#">Crank Arm Pulley Assembly</a> .....	7
<a href="#">Crank Cover And Lower Caps</a> .....	8
<a href="#">Drive Module</a> .....	9
<a href="#">Drive Module Hardware</a> .....	10
<a href="#">Handlebars And Bullhorns</a> .....	11
<a href="#">Lower Frame Shrouds And Hardware</a> .....	12
<a href="#">Pedal Lever Assembly Components</a> .....	13
<a href="#">PCB, Battery, Reed Switch And Bracket</a> .....	15
<a href="#">References</a> .....	16
<a href="#">Rocker Arms And Pedal Levers</a> .....	17
<a href="#">Upper Frame Hardware</a> .....	18

## Bearing Insert Assembly

Service Kit- GK62-00002-0044

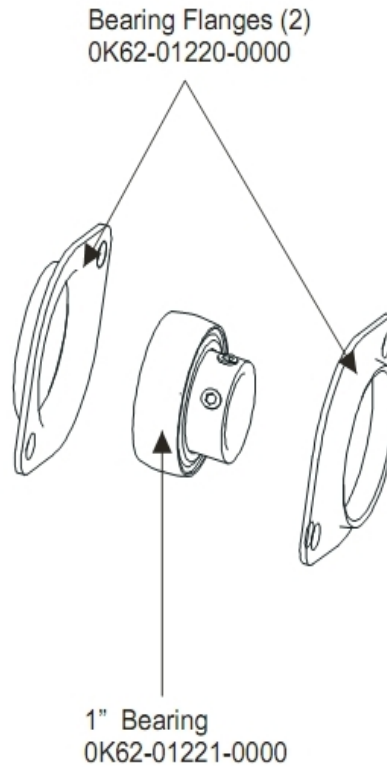
Includes:

- 1 - crankshaft
- 2 - bearings
- 2 - sets of bearing flanges
- 4 - weldnuts and flat washers
- 4 - bolts

Service Kit- GK62-00002-0045

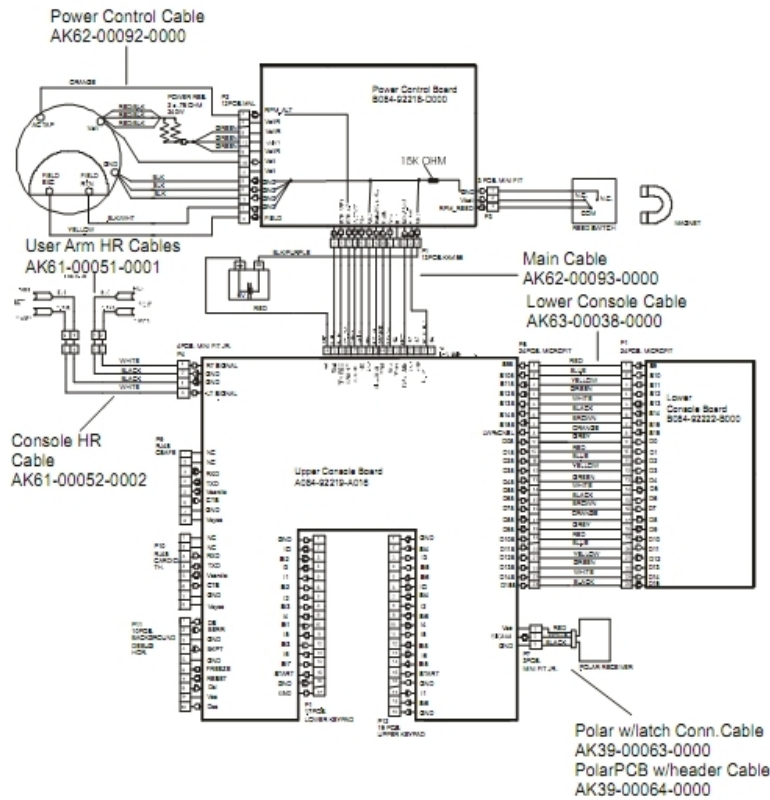
Includes:

- 1 - intermediate shaft
- 2 - bearings
- 2 - sets of bearing flanges
- 4 - weldnuts and flat washers
- 4 - bolts



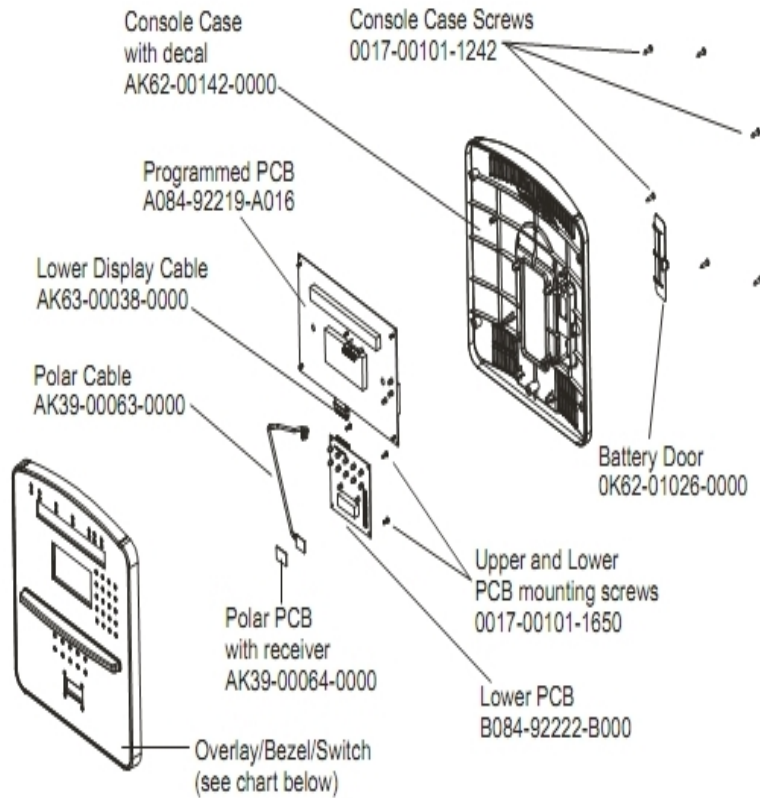
Ref #	Part Number	Qty	Description
-	AK62-00299-0000	1	Bearing Insert Assembly
-	GK62-00002-0044	1	Crankshaft Bearing Kit
-	0K62-01221-0000	1	1" Bearing
-	GK62-00002-0045	1	Intermediate Shaft Bearing Kit
-	0K62-01220-0000	2	Bearing Flange

### Cables



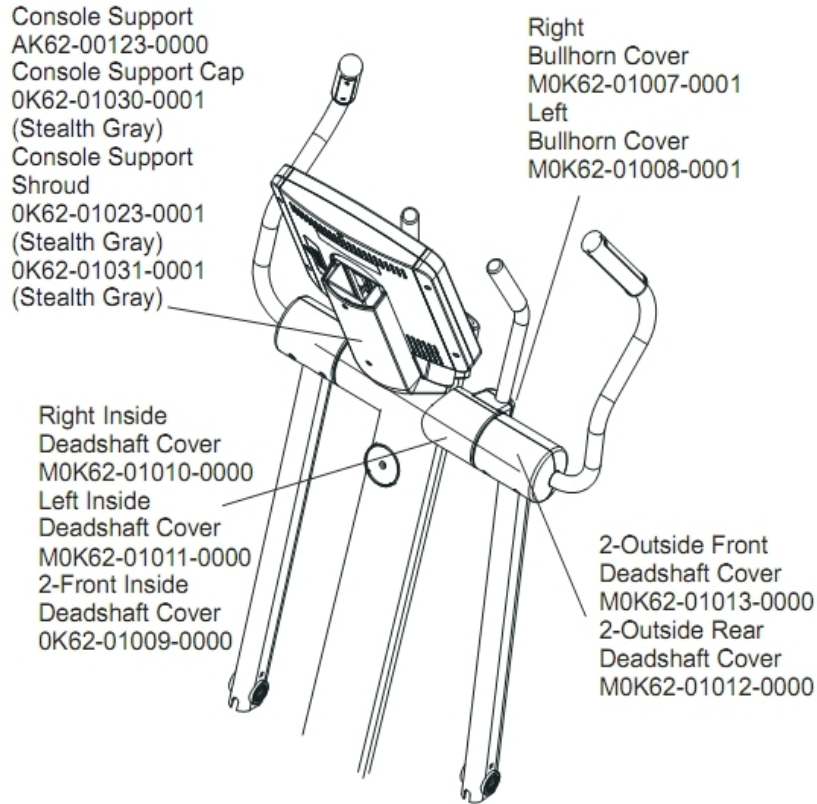
Ref #	Part Number	Qty	Description
-	118E-00001-0259	1	Wireless Receiver Module, Non-Coded
-	B084-92218-0000	1	PCB Circuit Board
-	AK63-00038-0000	1	Lower Console Cable
-	AK62-00093-0000	1	Main Cable
-	AK62-00092-0000	1	Power Control Cable
-	AK39-00063-0000	1	Polar Cable
-	AK61-00052-0002	1	Lifepulse Sensor Cable
-	B084-92222-B000	1	Console Board - Lower
-	AK61-00051-0001	1	Lifepulse: User-Arm
-	A084-92219-A016	1	Console Board - Upper

## Console And Related Components



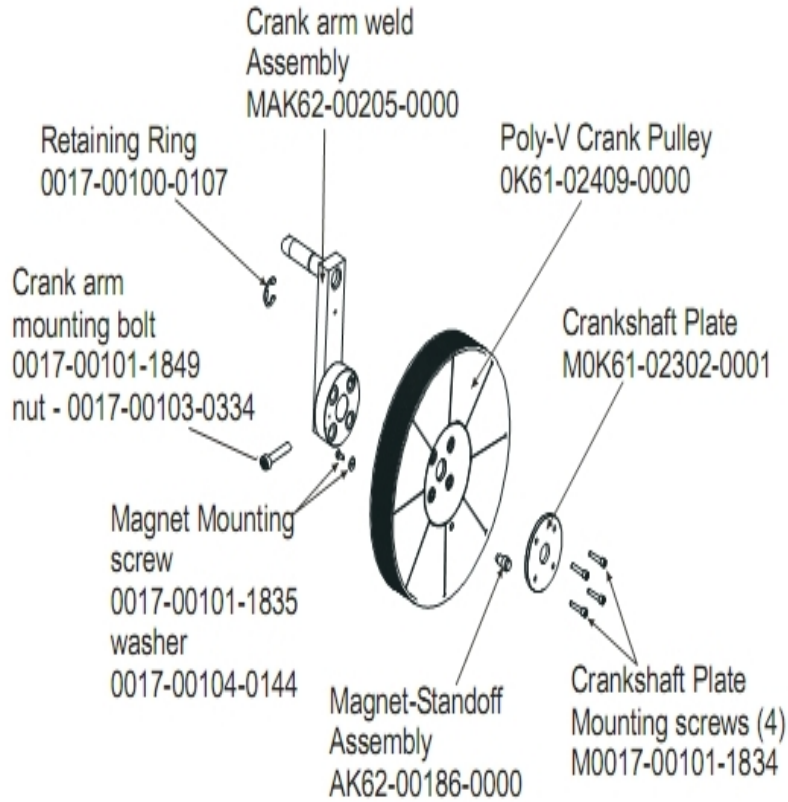
Ref #	Part Number	Qty	Description
-	0017-00101-1242	1	Hardware: Phillips Pan Screw 0.75"
-	AK63-00038-0000	1	Lower Console Cable
-	AK39-00063-0000	1	Polar Cable
-	AK62-00142-0000	1	Console Case with Decal
-	A084-92219-A016	1	Console Board - Upper
-	B084-92222-B000	1	Console Board - Lower
-	0017-00101-1650	1	Hardware: Phillips Pan Screw 0.375"
-	AK62-00149-0001	1	Console: English/Metric
-	0K62-01026-0000	1	Battery Door
-	118E-00001-0259	1	Wireless Receiver Module, Non-Coded
-	AK62-00191-0001	1	Bezel Switch with Overlay: English/Metric

## Console Support And Deadshaft Covers



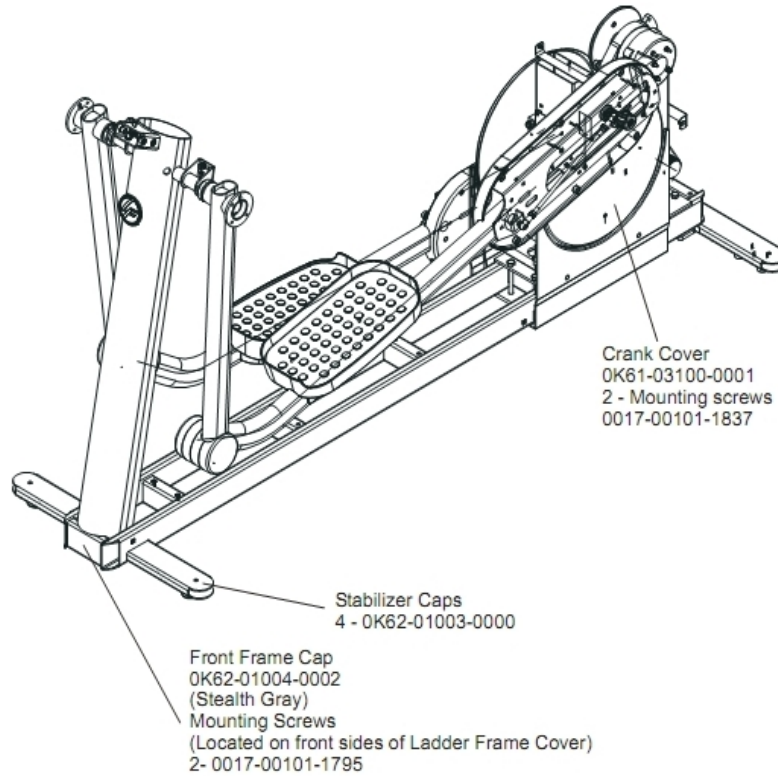
Ref #	Part Number	Qty	Description
-	0K62-01031-0001	1	Cap
-	0K62-01011-0000	1	Left Inside Deadshaft Cover
-	0K62-01007-0001	1	Bullhorn Cover Right
-	0K62-01012-0000	2	Front Outside Deadshaft Cover
-	0K62-01009-0000	2	Front Inside Deadshaft Cover
-	0K62-01010-0000	1	Right Inside Deadshaft Cover
-	0K62-01008-0001	1	Bullhorn Cover Left
-	AK62-00123-0000	1	Console Support
-	0K62-01030-0001	1	Console Support Cap
-	0K62-01013-0000	2	Rear Outside Deadshaft Cover
-	0K62-01023-0001	1	Console Support Shroud

## Crank Arm Pulley Assembly



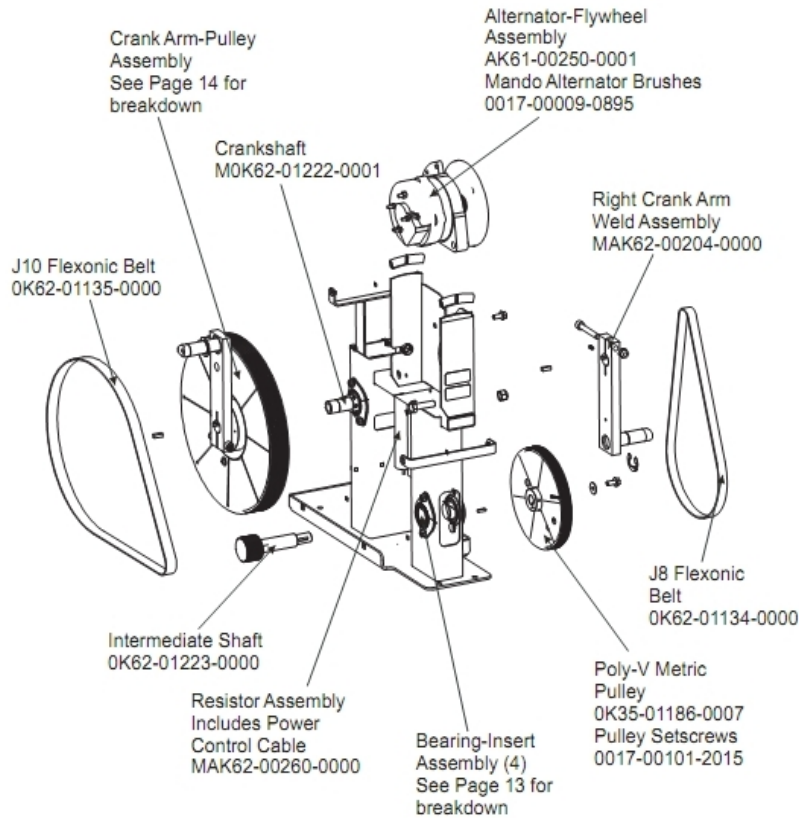
Ref #	Part Number	Qty	Description
-	0017-00100-0107	1	Hardware: E-Ring 1"
-	0017-00101-1834	4	Hardware: Screw 24MM
-	0017-00101-1849	1	Hardware: Crank arm mounting bolt
-	0K61-02409-0000	1	Poly-V Crank Pulley
-	AK62-00205-0000	1	Crankarm
-	0K61-02302-0001	1	Crankshaft Plate
-	0017-00103-0334	1	Hardware: Nut 10 MM
-	0017-00101-1835	1	Hardware: Screw 10MM
-	0017-00104-0144	1	Hardware: Washer 0.625" OD
-	AK62-00186-0000	1	Magnet-Standoff Assembly

## Crank Cover And Lower Caps



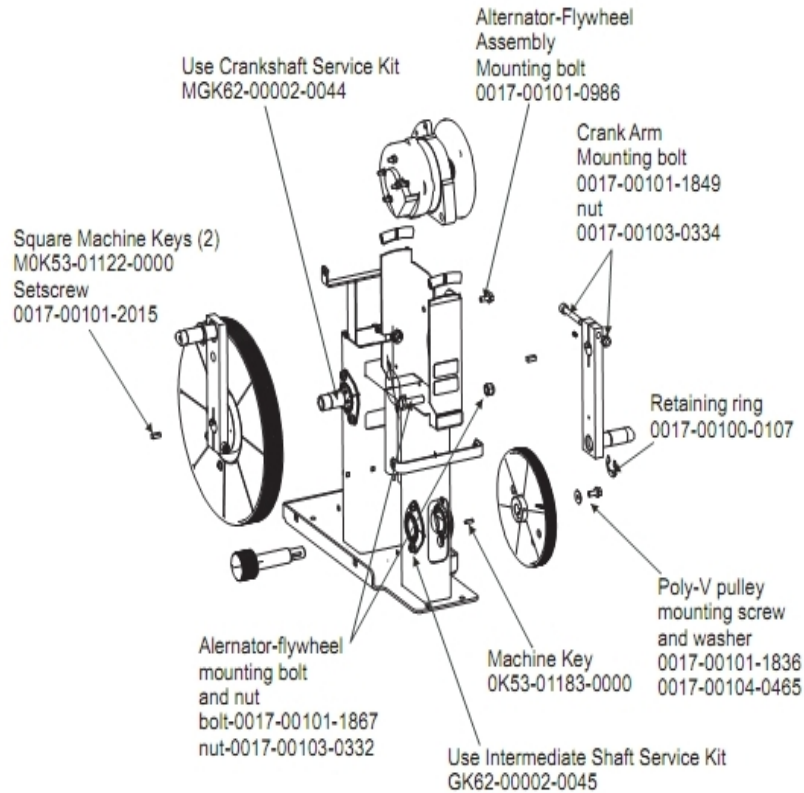
Ref #	Part Number	Qty	Description
-	0K68-01130-0300	4	CAP; STABILIZER; STEALTH GREY
-	0017-00101-1837	2	Hardware: Screw 18MM
-	0K62-01004-0002	1	Front frame Cap
-	0017-00101-1795	2	Hardware: Mounting Screw
-	0K61-03100-0002	1	Crank Cover

**Drive Module**



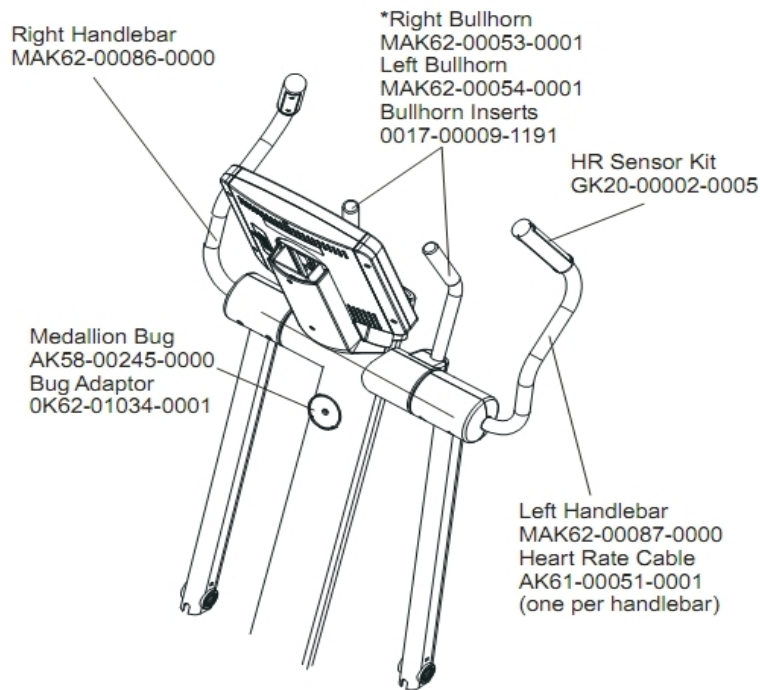
Ref #	Part Number	Qty	Description
-	OK62-01134-0000	1	Flexonic Belt
-	OK62-01135-0000	1	Drive Belt
-	OK62-01222-0001	1	Crankshaft
-	0017-00009-0895	1	Alternator Brush Kit
-	AK62-00204-0000	1	Right Crankarm
-	OK35-01186-0007	1	Poly-V Pulley
-	OK62-01223-0000	1	Intermediate Shaft
-	AK62-00260-0000	1	Resistor Assembly
-	AK61-00250-0001	1	Alternator w/Flywheel
-	0017-00101-2015	1	Hardware: Pulley Set Screw 15 MM

## Drive Module Hardware



Ref #	Part Number	Qty	Description
-	0017-00101-1849	1	Hardware: Crank arm mounting bolt
-	0017-00104-0465	1	Hardware: Flat Washer 23MM OD
-	OK53-01122-0000	2	Square Key
-	OK53-01183-0000	1	Hex key
-	GK62-00002-0044	1	Crankshaft Bearing Kit
-	0017-00103-0334	1	Hardware: Nut 10 MM
-	0017-00101-0986	1	Hardware: Bolt 0.75"
-	0017-00101-1836	1	Hardware: Screw 10 MM
-	GK62-00002-0045	1	Intermediate Shaft Bearing Kit
-	0017-00101-1867	1	Hardware: Mounting Bolt 45 MM
-	0017-00100-0107	1	Hardware: E-Ring 1"
-	0017-00103-0332	1	Hardware: Mounting Nut
-	0017-00101-2015	1	Hardware: Pulley Set Screw 15 MM

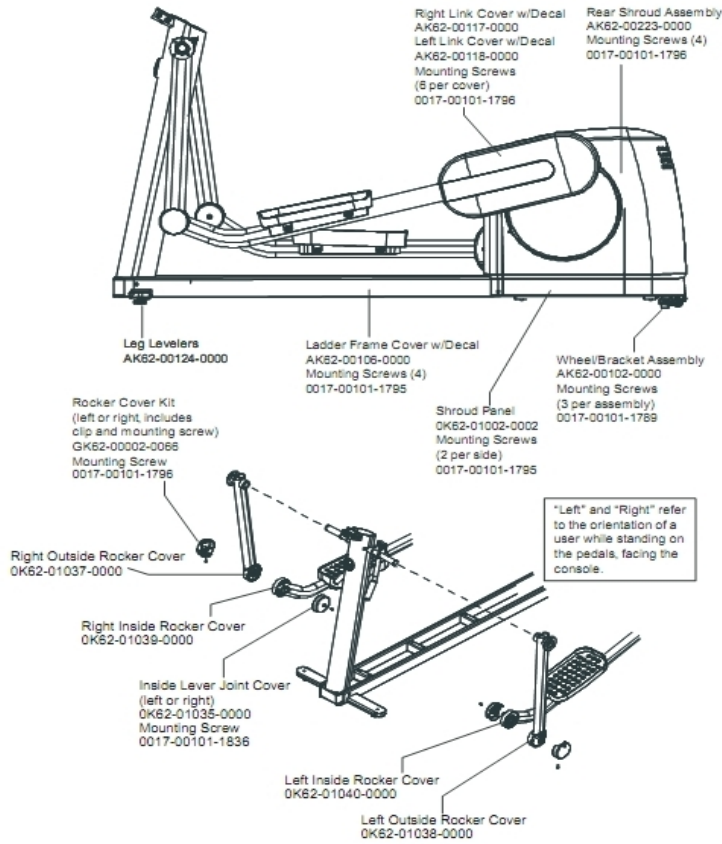
# Handlebars And Bullhorns



\*Right Bullhorn Assembly consists of: AK62-00057-0001 Bullhorn, M0K62-01136-0000 Grip and M0K62-01199-0000 Gasket  
Left Bullhorn Assembly consists of: AK62-00058-0001 Bullhorn, M0K62-01136-0000 Grip and M0K62-01199-0000 Gasket

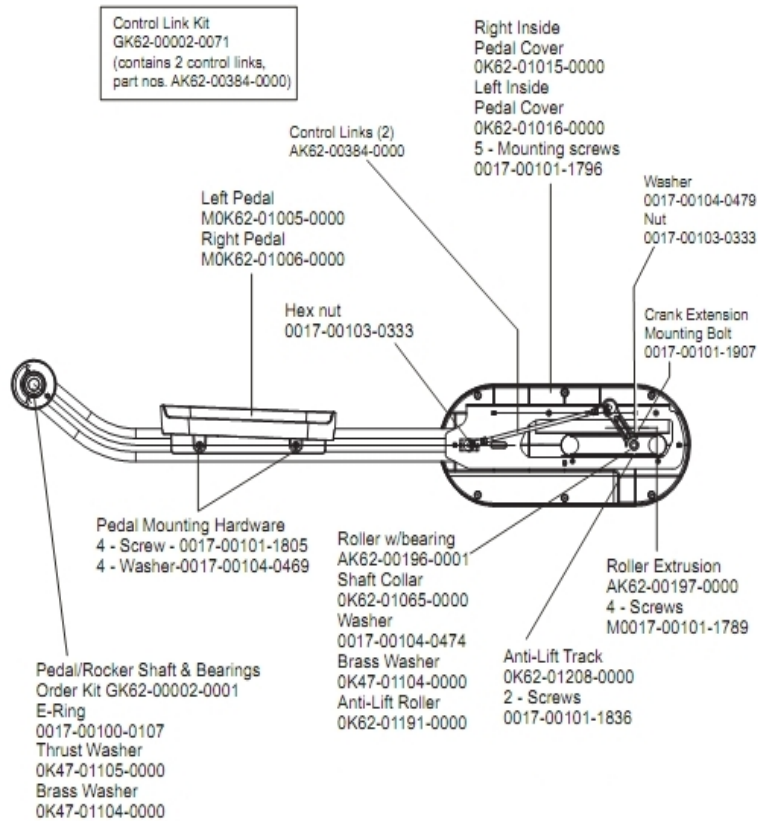
Ref #	Part Number	Qty	Description
-	0K62-01199-0000	2	Bullhorn Gasket
-	0K62-01034-0001	1	Bug Adaptor
-	AK58-00245-0000	1	Bug Medallion
-	GK20-00002-0005	1	Heart Rate Electrode Kit
-	AK62-00057-0001	1	Right Bullhorn
-	AK62-00087-0000	1	Handlebar: Left
-	0K62-01136-0000	2	Grip
-	AK62-00053-0001	1	Right Bullhorn
-	AK62-00058-0001	1	Left Bullhorn
-	AK62-00086-0000	1	Handlebar: Right
-	AK61-00051-0001	1	Lifepulse: User-Arm
-	AK62-00054-0001	1	Left Bullhorn

# Lower Frame Shrouds And Hardware



Ref #	Part Number	Qty	Description
-	AK62-00118-0000	1	Link Cover with Decal: Left
-	OK62-01035-0000	1	Inside Lever Joint Cover
-	OK62-01038-0000	1	Left Inside Rocker Cover
-	OK62-01037-0000	1	
-	AK62-00117-0000	1	Link Cover with Decal: Right
-	GK62-00002-0066	1	Rocker Cover Kit
-	0017-00101-1795	6	Hardware: Mounting Screw
-	0017-00101-1836	1	Hardware: Screw 10 MM
-	AK62-00102-0000	1	Wheel/Bracket Assembly
-	AK62-00223-0000	1	Rear Shroud Assembly
-	OK62-01002-0003	1	Shroud Panel
-	0017-00101-1789	3	Hardware: Mounting Screws
-	OK62-01039-0000	1	Right Inside Lever Joint Cover
-	0017-00101-1796	11	Hardware: Mounting Screw 19 MM
-	OK62-01040-0000	1	Left Inside Lever Joint Cover
-	AK62-00106-0001	1	Ladder Frame Cover with Decal
-	AK62-00124-0000	1	Leg Leveler

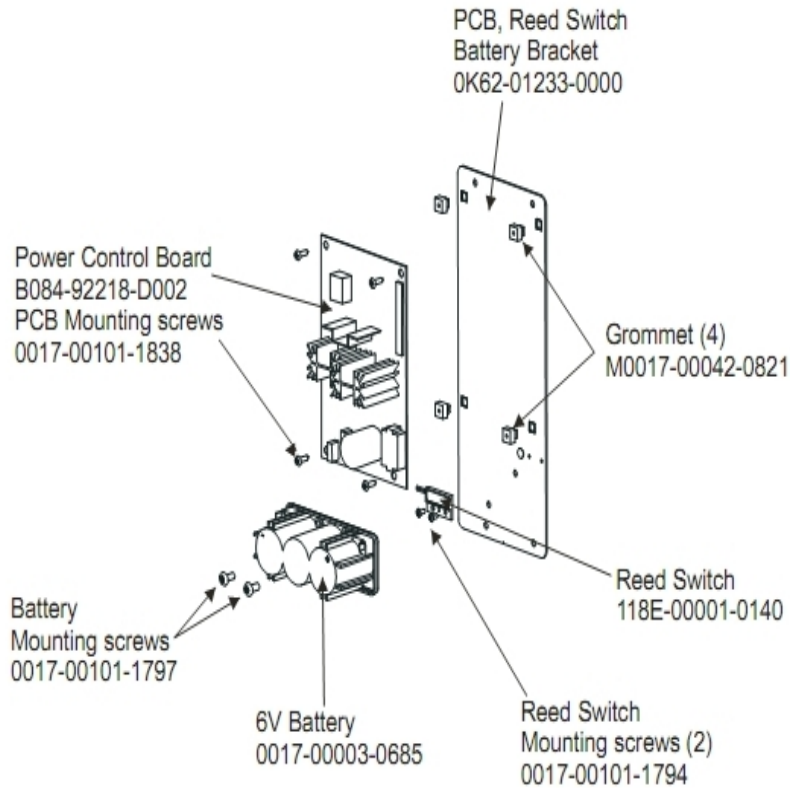
# Pedal Lever Assembly Components



Ref #	Part Number	Qty	Description
-	OK62-01065-0000	1	Shaft Collar
-	GK62-00002-0071	3	Control Link Kit
-	0017-00103-0333	2	Hardware: Hex Nut
-	OK47-01105-0000	1	Hardware: Hardened Thrust Washer
-	0017-00104-0474	1	Hardware: Washer
-	OK47-01104-0000	2	Hardware: Thrust Washer
-	0017-00101-1796	5	Hardware: Mounting Screw 19 MM
-	OK62-01208-0000	1	Anti-Lift Track
-	OK62-01016-0000	1	Inside Pedal Cover Left
-	0017-00100-0107	1	Hardware: E-Ring 1"
-	0017-00101-1907	1	Hardware: Crank Extension Mounting Bolt
-	AK62-00196-0001	1	Roller with Bearing
-	AK62-00197-0000	1	Roller Extrusion
-	GK62-00002-0001	1	Pedal/Rocker Shaft and Bearings
-	OK62-01015-0000	1	Inside Pedal Cover Right
-	0017-00104-0479	1	Hardware: Flat Washer 25.4MM OD
-	0017-00101-1836	2	Hardware: Screw 10 MM
-	OK62-01006-0000	1	Right Pedal
-	OK62-01005-0000	1	Left Pedal
-	0017-00101-1789	4	Hardware: Mounting Screws
-	0017-00104-0469	4	Hardware: Flat Washer 16MM OD
-	OK62-01191-0000	1	Anti-Lift Roller

Ref #	Part Number	Qty	Description
-	0017-00101-1805	4	Hardware: TORX Screw 25 MM

# PCB, Battery, Reed Switch And Bracket



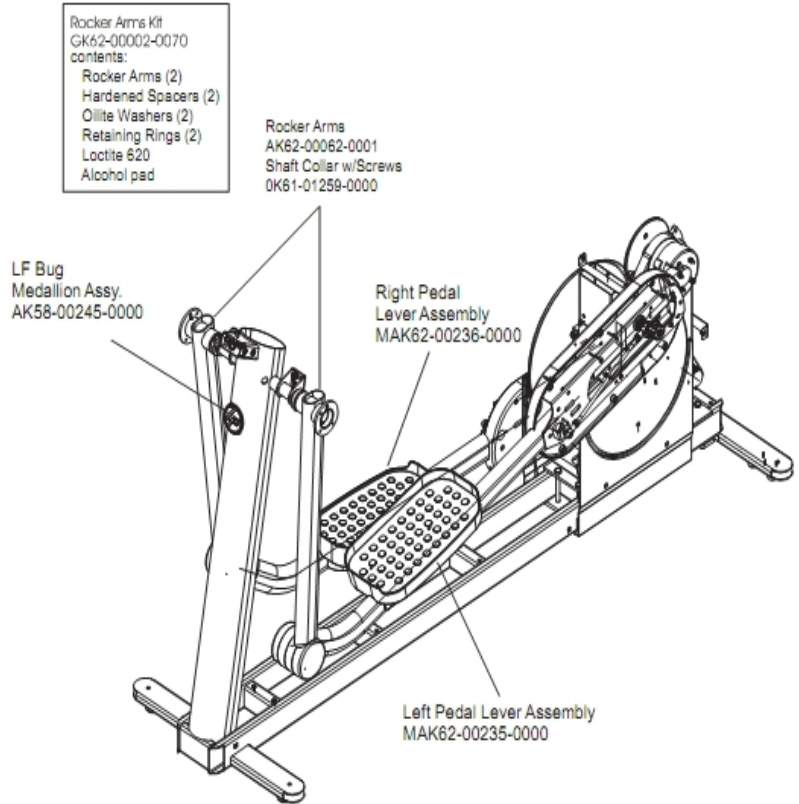
Ref #	Part Number	Qty	Description
-	0017-00101-1794	2	Hardware: Screw 10MM
-	0017-00003-0685	1	6V Battery
-	0017-00101-1838	1	Hardware: Mounting Screw 19 MM
-	B084-92218-0000	1	PCB Circuit Board
-	0K62-01233-0000	1	PCB Reed Switch Battery Bracket
-	0017-00101-1797	1	Hardware: Mounting Screw 16 MM
-	0017-00042-0821	4	Hardware: Plastic Grommet
-	118E-00001-0140	1	Reed Switch SPDT

## References

---

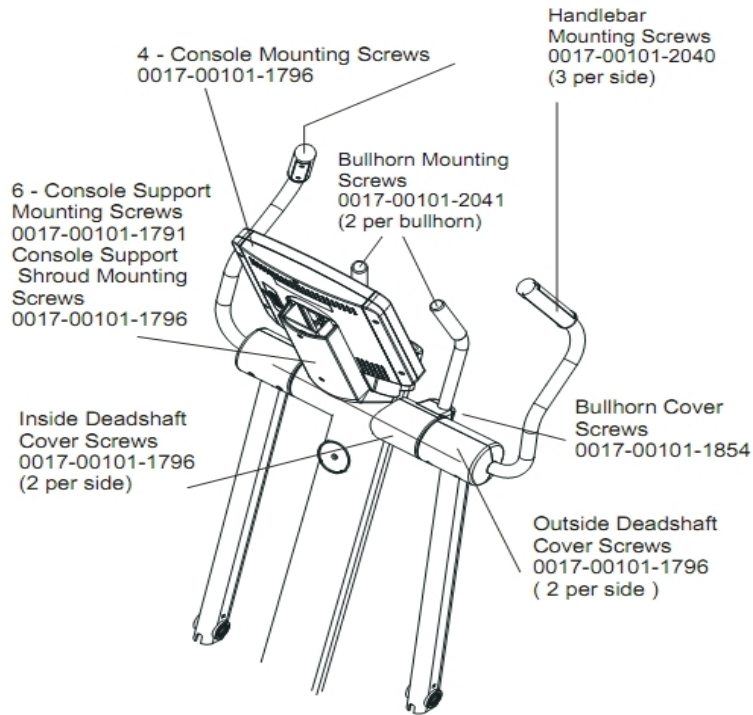
Ref #	Part Number	Qty	Description
-	GK62-00002-0018	1	Plug in Option 120/60
-	0017-00042-0754	2	Hardware: Grommet
-	0017-00008-0206	1	.33oz Pen - Arctic Silver
-	0K62-01179-0001	1	Bracket: Access Panel; Plug-in
-	AK32-00020-0002	1	Coax Cable: 120"
-	AK32-00078-0001	1	Power Extension Cable: 120"
-	0017-00008-0204	1	Paint Spray Can - Arctic Silver
-	AK62-00152-0001	1	Hardware Bag
-	0017-00008-0205	1	5 oz Bottle - Arctic Silver
-	0017-00021-2846	1	F-Type Panel Connector
-	AK62-00210-0000	1	Power-Cable with Bracket Assembly

## Rocker Arms And Pedal Levers



Ref #	Part Number	Qty	Description
-	OK62-01307-0000	1	Hardware: Spacer
-	AK62-00235-0000	1	Left Pedal Lever Assembly
-	OK62-01305-0000	1	Oilite Bearing
-	GK62-00002-0070	3	Rocker Arm Kit
-	AK58-00245-0000	1	Bug Medallion
-	OK61-01259-0000	1	Shaft Split Collar
-	AK62-00236-0000	1	Right Pedal Lever Assembly
-	0017-00100-0178	1	Hardware: Retaining Ring 1.25"

# Upper Frame Hardware



Items Not Shown:

Accessory Tray	0K62-01022-0001 (Stealth Gray)
Mounting Screws (2)	0017-00101-1846

Ref #	Part Number	Qty	Description
-	0017-00101-1796	13	Hardware: Mounting Screw 19 MM
-	0017-00101-1846	2	Hardware: Phillips Pan Screw 10 MM
-	0017-00101-1791	6	Hardware: TORX Screw 19 MM
-	0017-00101-2041	2	Hardware: Bullhorn Mounting Screw
-	0017-00101-1854	1	Hardware: Bullhorn Cover Screw 44MM
-	0K62-01022-0001	1	Accessory Tray
-	0017-00101-2040	3	Hardware: Handlebar Mounting Screw

