

95Xi Cross-Trainer

95XW-0007-03

Parts Manual

1/5/2019 11:37:47 AM



Table of Contents

Bearing Insert Assembly	3
Cables	4
Console and Related Components	5
Console Support and Deadshaft Covers	6
Crank Arm Pulley Assembly	7
Crank Cover and Lower Caps	8
Drive Module	9
Drive Module Hardware	10
Handlebars and Bullhorns	11
Lower Frame Shrouds and Hardware	12
Pedal Lever Assembly Components	13
PCB, Battery, Reed Switch and Bracket	15
References	16
Rocker Arms and Pedal Levers	17
Upper Frame Hardware	18

Bearing Insert Assembly

Service Kit- GK62-00002-0044

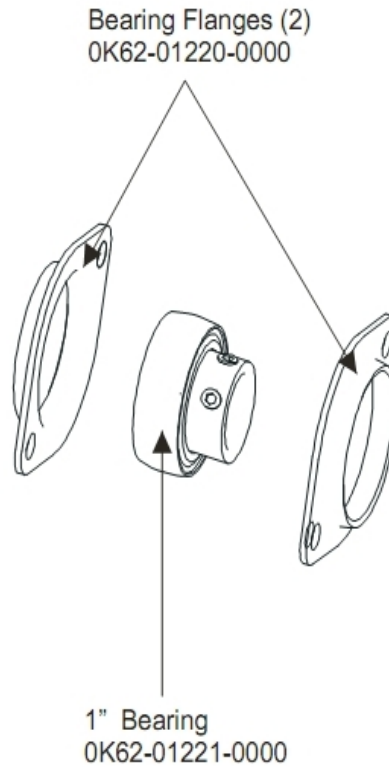
Includes:

- 1 - crankshaft
- 2 - bearings
- 2 - sets of bearing flanges
- 4 - weldnuts and flat washers
- 4 - bolts

Service Kit- GK62-00002-0045

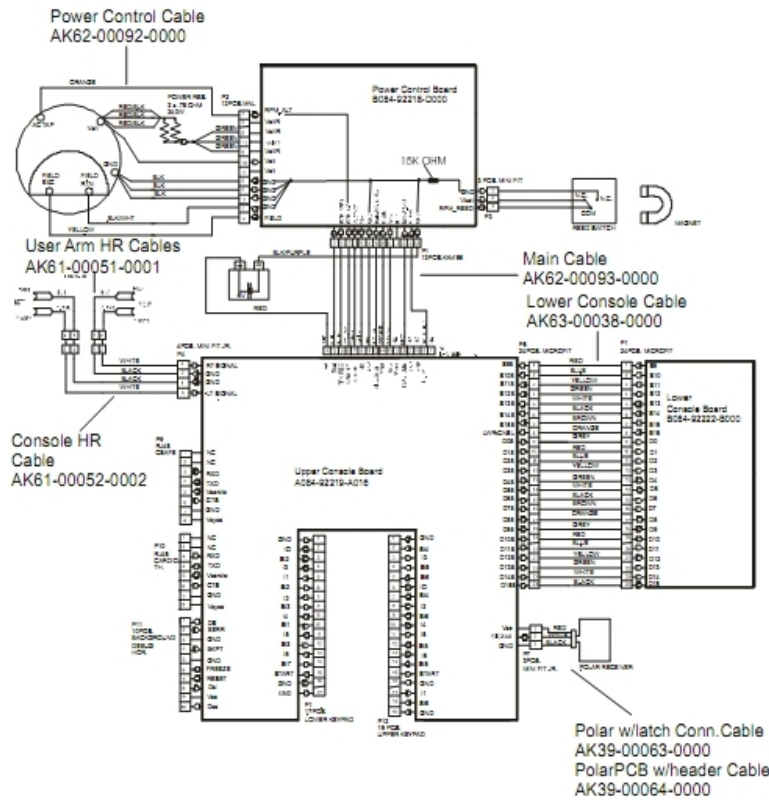
Includes:

- 1 - intermediate shaft
- 2 - bearings
- 2 - sets of bearing flanges
- 4 - weldnuts and flat washers
- 4 - bolts



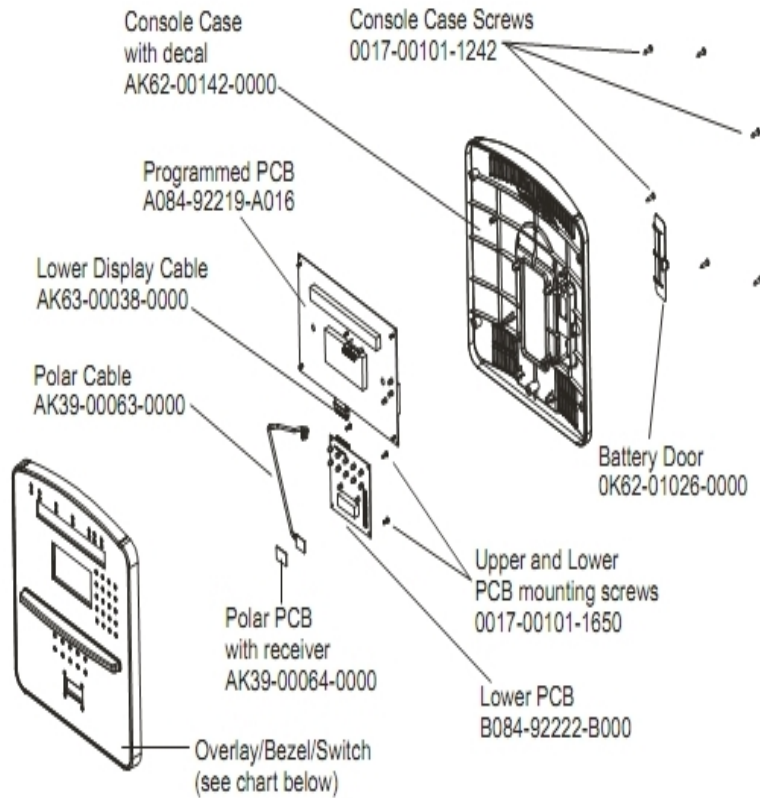
Ref #	Part Number	Qty	Description
-	0K62-01221-0000	1	1" Bearing
-	GK62-00002-0045	1	Intermediate Shaft Bearing Kit
-	0K62-01220-0000	2	Bearing Flange
-	GK62-00002-0044	1	Crankshaft Bearing Kit
-	AK62-00299-0000	1	Bearing Insert Assembly

Cables



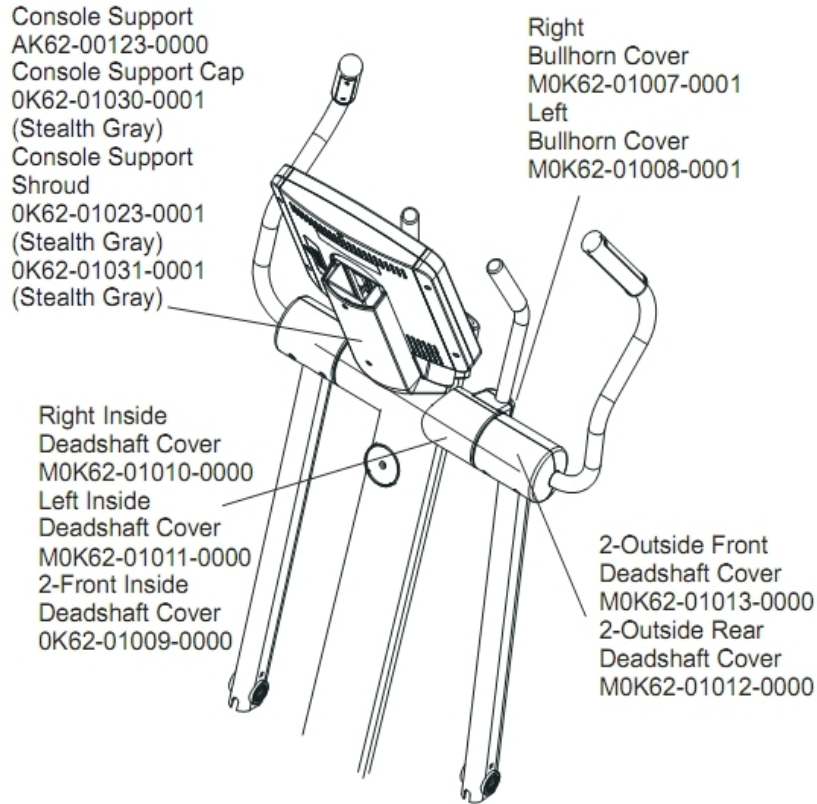
Ref #	Part Number	Qty	Description
-	AK62-00092-0000	1	Power Control Cable
-	AK61-00051-0001	1	Lifepulse: User-Arm
-	AK63-00038-0000	1	Lower Console Cable
-	B084-92222-B000	1	Console Board - Lower
-	A084-92219-A016	1	Console Board - Upper
-	AK39-00063-0000	1	Polar Cable
-	B084-92218-0000	1	PCB Circuit Board
-	118E-00001-0259	1	Wireless Receiver Module, Non-Coded
-	AK61-00052-0002	1	Lifepulse Sensor Cable
-	AK62-00093-0000	1	Main Cable

Console and Related Components



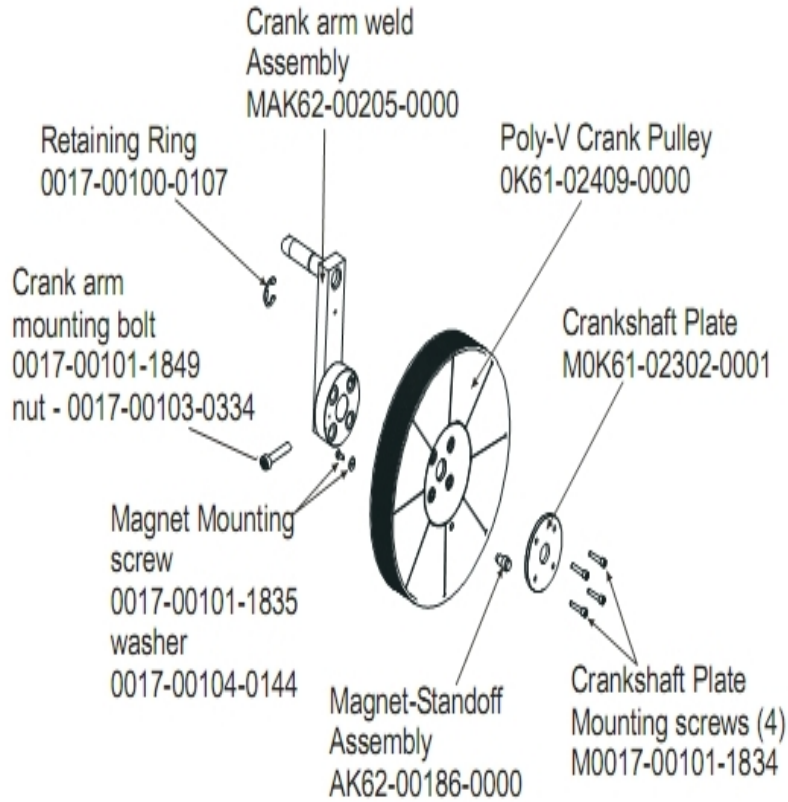
Ref #	Part Number	Qty	Description
-	0017-00101-1242	6	Hardware: Phillips Pan Screw 0.75"
-	A084-92219-A016	1	Console Board - Upper
-	AK63-00038-0000	1	Lower Console Cable
-	AK39-00063-0000	1	Polar Cable
-	B084-92222-B000	1	Console Board - Lower
-	AK62-00149-0001	1	Console: English/Metric
-	AK62-00191-0001	1	Bezel Switch with Overlay: English/Metric
-	AK62-00142-0000	1	Console Case with Decal
-	118E-00001-0259	1	Wireless Receiver Module, Non-Coded
-	0017-00101-1650	2	Hardware: Phillips Pan Screw 0.375"
-	0K62-01026-0000	1	Battery Door

Console Support and Deadshaft Covers



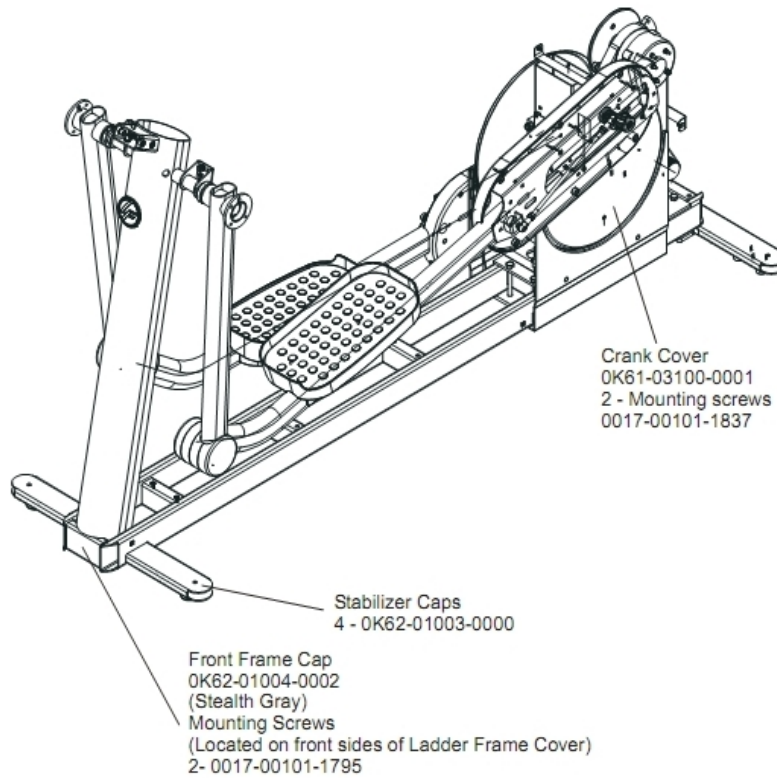
Ref #	Part Number	Qty	Description
-	0K62-01023-0001	1	Console Support Shroud
-	0K62-01007-0001	1	Bullhorn Cover Right
-	0K62-01012-0000	2	Front Outside Deadshaft Cover
-	0K62-01009-0000	2	Front Inside Deadshaft Cover
-	0K62-01030-0001	1	Console Support Cap
-	0K62-01010-0000	1	Right Inside Deadshaft Cover
-	AK62-00123-0000	1	Console Support
-	0K62-01013-0000	2	Rear Outside Deadshaft Cover
-	0K62-01031-0001	1	Cap
-	0K62-01011-0000	1	Left Inside Deadshaft Cover
-	0K62-01008-0001	1	Bullhorn Cover Left

Crank Arm Pulley Assembly



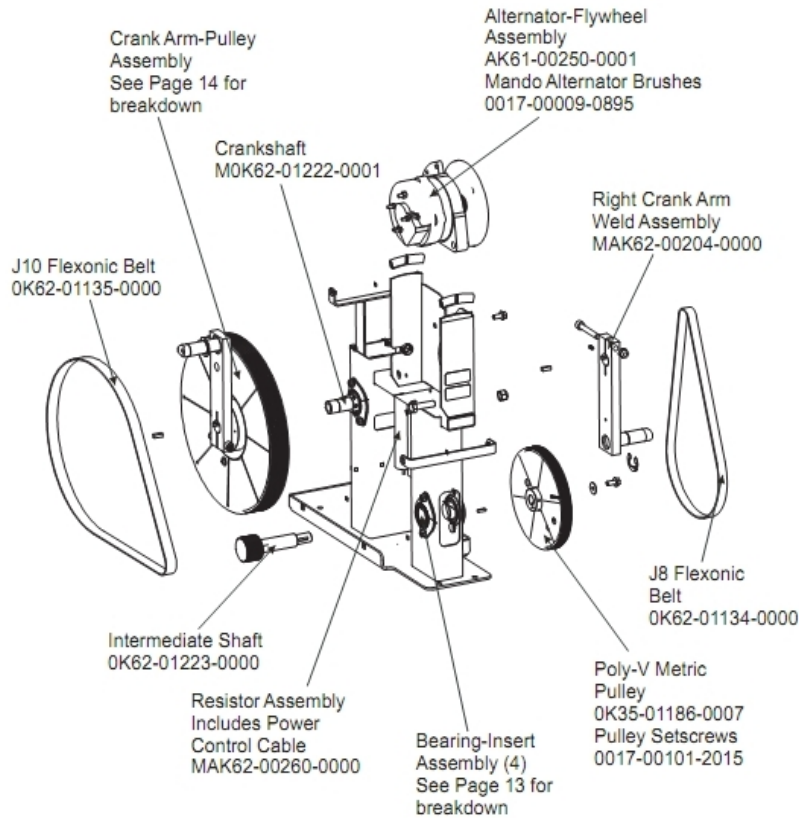
Ref #	Part Number	Qty	Description
-	0017-00103-0334	1	Hardware: Nut 10 MM
-	0017-00104-0144	1	Hardware: Washer 0.625" OD
-	0017-00101-1849	1	Hardware: Crank arm mounting bolt
-	0K61-02409-0000	1	Poly-V Crank Pulley
-	0017-00100-0107	1	Hardware: E-Ring 1"
-	0K61-02302-0001	1	Crankshaft Plate
-	AK62-00205-0000	1	Crankarm
-	0017-00101-1835	1	Hardware: Screw 10MM
-	AK62-00186-0000	1	Magnet-Standoff Assembly
-	0017-00101-1834	4	Hardware: Screw 24MM

Crank Cover and Lower Caps



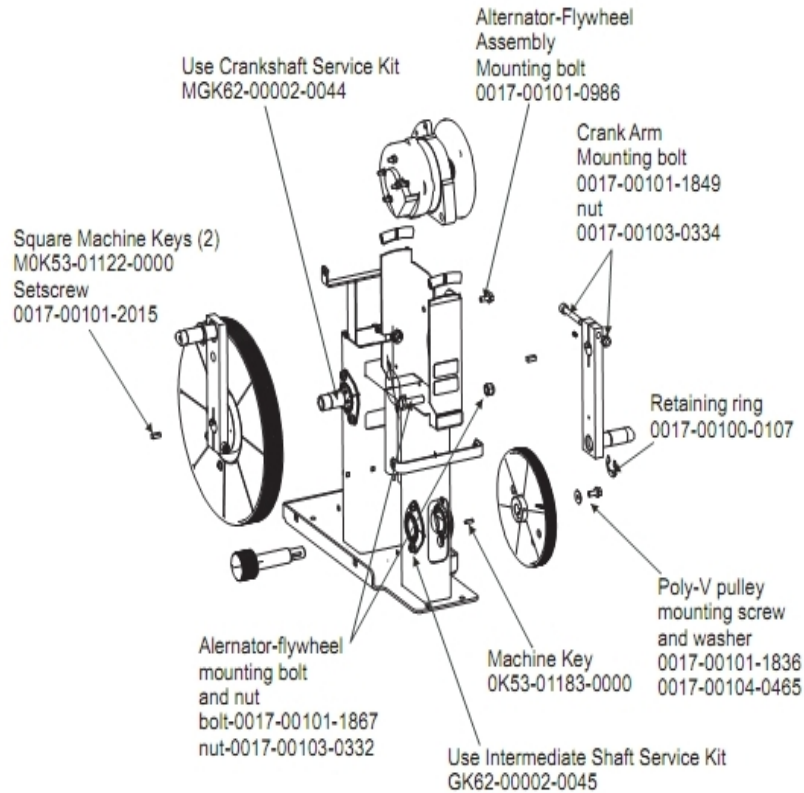
Ref #	Part Number	Qty	Description
-	0017-00101-1837	2	Hardware: Screw 18MM
-	0K68-01130-0200	4	CAP; STABILIZER; SHADOW GREY
-	0K62-01004-0002	1	Front frame Cap
-	0K61-03100-0002	1	Crank Cover
-	0017-00101-1795	2	Hardware: Mounting Screw

Drive Module



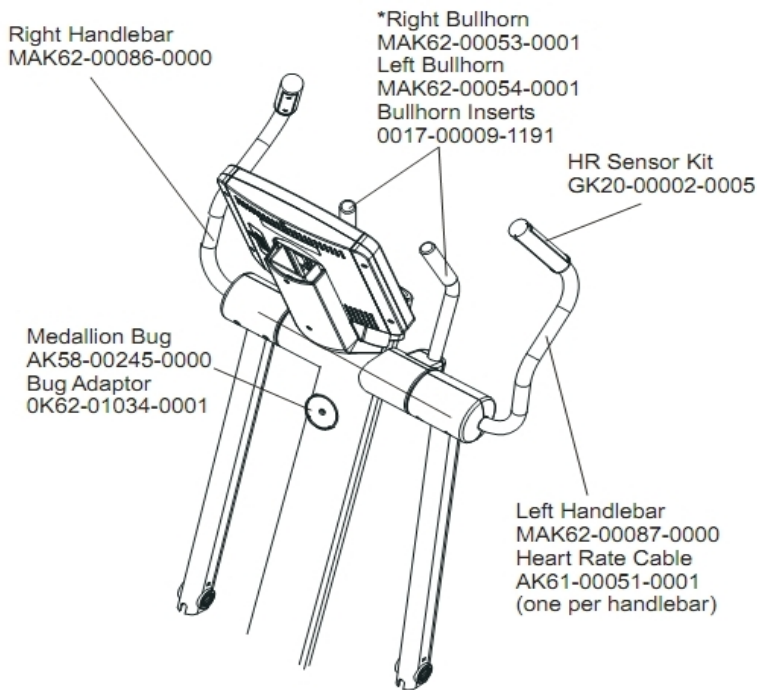
Ref #	Part Number	Qty	Description
-	OK62-01134-0000	1	Flexonic Belt
-	OK62-01135-0000	1	Drive Belt
-	OK62-01222-0001	1	Crankshaft
-	0017-00009-0895	1	Alternator Brush Kit
-	AK62-00204-0000	1	Right Crankarm
-	OK35-01186-0007	1	Poly-V Pulley
-	OK62-01223-0000	1	Intermediate Shaft
-	AK62-00260-0000	1	Resistor Assembly
-	AK61-00250-0001	1	Alternator w/Flywheel
-	0017-00101-2015	2	Hardware: Pulley Set Screw 15 MM

Drive Module Hardware



Ref #	Part Number	Qty	Description
-	0017-00101-1849	1	Hardware: Crank arm mounting bolt
-	0017-00104-0465	1	Hardware: Flat Washer 23MM OD
-	0017-00101-1867	1	Hardware: Mounting Bolt 45 MM
-	OK53-01183-0000	1	Hex key
-	GK62-00002-0044	1	Crankshaft Bearing Kit
-	0017-00103-0334	1	Hardware: Nut 10 MM
-	0017-00101-0986	1	Hardware: Bolt 0.75"
-	0017-00101-1836	1	Hardware: Screw 10 MM
-	GK62-00002-0045	1	Intermediate Shaft Bearing Kit
-	OK53-01122-0000	2	Square Key
-	0017-00100-0107	1	Hardware: E-Ring 1"
-	0017-00103-0332	1	Hardware: Mounting Nut
-	0017-00101-2015	1	Hardware: Pulley Set Screw 15 MM

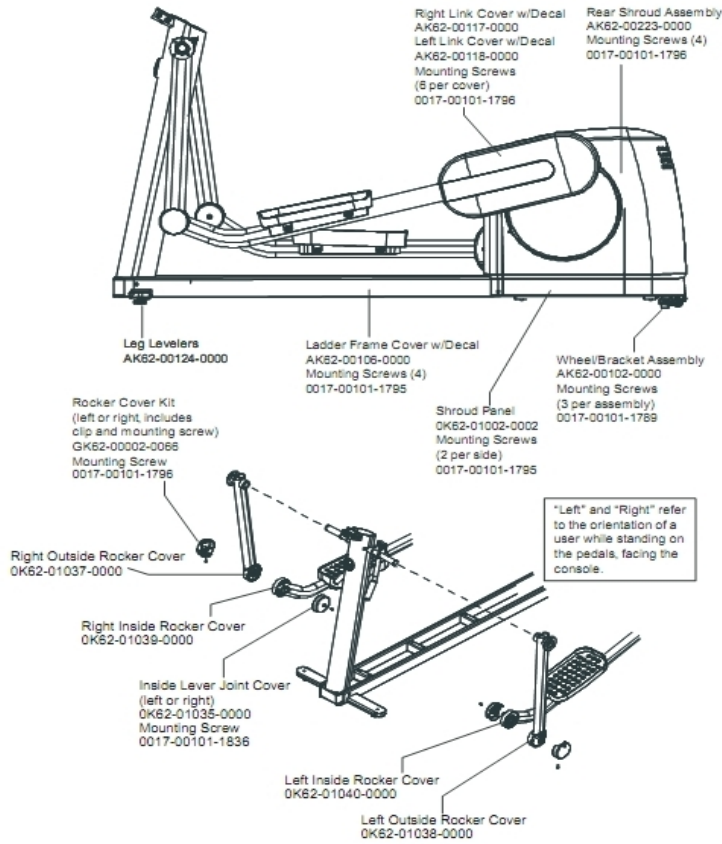
Handlebars and Bullhorns



*Right Bullhorn Assembly consists of: AK62-00057-0001 Bullhorn, M0K62-01136-0000 Grip and M0K62-01199-0000 Gasket
Left Bullhorn Assembly consists of: AK62-00058-0001 Bullhorn, M0K62-01136-0000 Grip and M0K62-01199-0000 Gasket

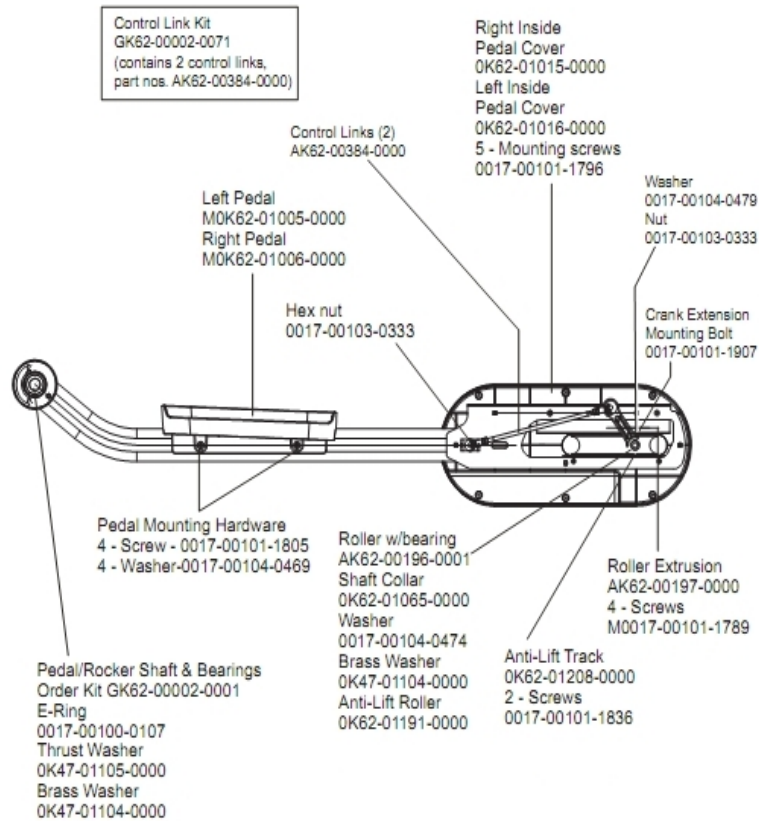
Ref #	Part Number	Qty	Description
-	0K62-01199-0000	2	Bullhorn Gasket
-	0K62-01034-0001	1	Bug Adaptor
-	AK58-00245-0000	1	Bug Medallion
-	GK20-00002-0005	1	Heart Rate Electrode Kit
-	AK62-00057-0001	1	Right Bullhorn
-	AK62-00087-0000	1	Handlebar: Left
-	AK62-00053-0001	1	Right Bullhorn
-	AK62-00058-0001	1	Left Bullhorn
-	AK62-00086-0000	1	Handlebar: Right
-	0K62-01136-0000	2	Grip
-	AK61-00051-0001	1	Lifepulse: User-Arm
-	AK62-00054-0001	1	Left Bullhorn

Lower Frame Shrouds and Hardware



Ref #	Part Number	Qty	Description
-	AK62-00118-0000	1	Link Cover with Decal: Left
-	0017-00101-1796	17	Hardware: Mounting Screw 19 MM
-	OK62-01038-0000	1	Left Inside Rocker Cover
-	OK62-01037-0000	1	
-	AK62-00117-0000	1	Link Cover with Decal: Right
-	GK62-00002-0066	1	Rocker Cover Kit
-	AK62-00102-0000	2	Wheel/Bracket Assembly
-	0017-00101-1795	8	Hardware: Mounting Screw
-	0017-00101-1836	1	Hardware: Screw 10 MM
-	OK62-01002-0003	1	Shroud Panel
-	AK62-00223-0000	1	Rear Shroud Assembly
-	OK62-01039-0000	1	Right Inside Lever Joint Cover
-	0017-00101-1789	6	Hardware: Mounting Screws
-	OK62-01040-0000	1	Left Inside Lever Joint Cover
-	AK62-00106-0001	1	Ladder Frame Cover with Decal
-	AK62-00124-0000	2	Leg Leveler
-	OK62-01035-0000	1	Inside Lever Joint Cover

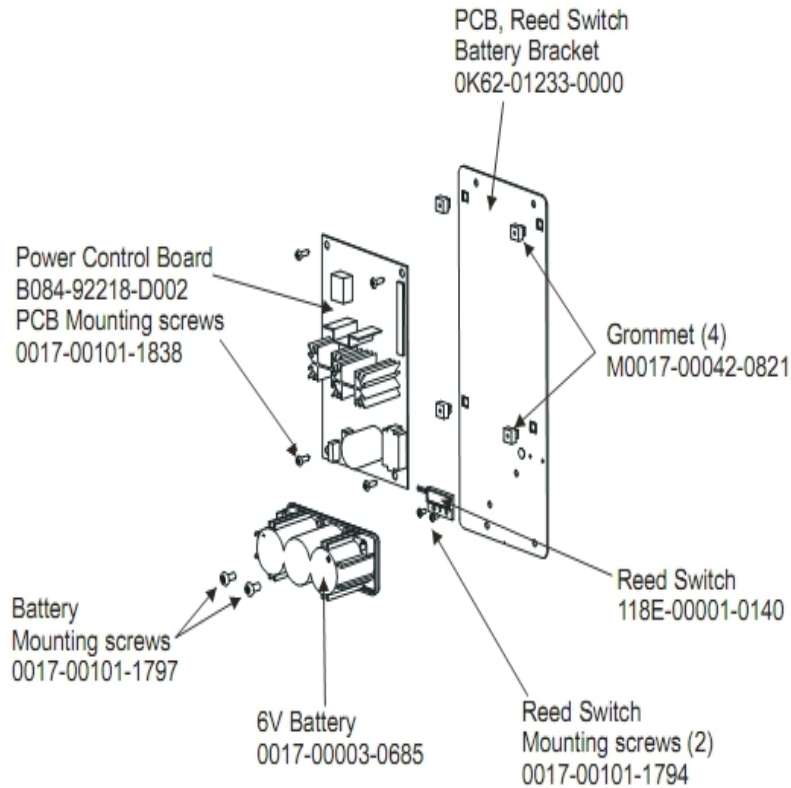
Pedal Lever Assembly Components



Ref #	Part Number	Qty	Description
-	OK47-01104-0000	4	Hardware: Thrust Washer
-	0017-00100-0107	2	Hardware: E-Ring 1"
-	AK62-00196-0001	2	Roller with Bearing
-	AK62-00197-0000	2	Roller Extrusion
-	GK62-00002-0001	2	Pedal/Rocker Shaft and Bearings
-	GK62-00002-0071	6	Control Link Kit
-	0017-00101-1789	8	Hardware: Mounting Screws
-	OK62-01005-0000	1	Left Pedal
-	OK62-01006-0000	1	Right Pedal
-	OK62-01016-0000	1	Inside Pedal Cover Left
-	OK62-01208-0000	2	Anti-Lift Track
-	0017-00101-1796	10	Hardware: Mounting Screw 19 MM
-	0017-00104-0474	2	Hardware: Washer
-	OK47-01105-0000	2	Hardware: Hardened Thrust Washer
-	OK62-01065-0000	2	Shaft Collar
-	OK62-01015-0000	1	Inside Pedal Cover Right
-	0017-00104-0479	2	Hardware: Flat Washer 25.4MM OD
-	0017-00101-1836	4	Hardware: Screw 10 MM
-	0017-00104-0469	8	Hardware: Flat Washer 16MM OD
-	0017-00101-1907	2	Hardware: Crank Extension Mounting Bolt
-	OK62-01191-0000	2	Anti-Lift Roller
-	0017-00101-1805	8	Hardware: TORX Screw 25 MM

Ref #	Part Number	Qty	Description
-	0017-00103-0333	4	Hardware: Hex Nut

PCB, Battery, Reed Switch and Bracket

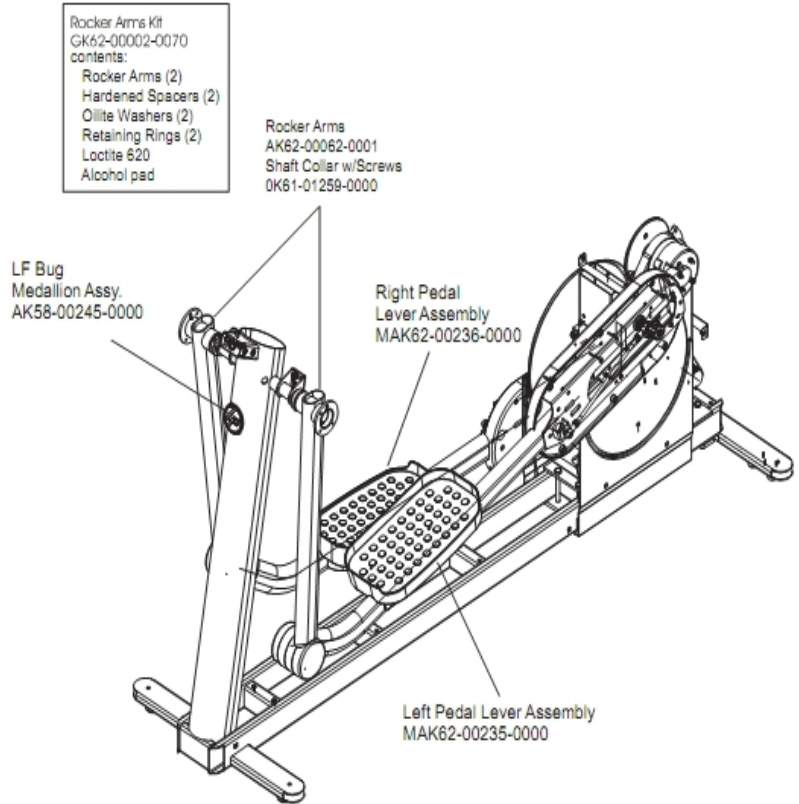


Ref #	Part Number	Qty	Description
-	118E-00001-0140	1	Reed Switch SPDT
-	0017-00101-1794	2	Hardware: Screw 10MM
-	0K62-01233-0000	1	PCB Reed Switch Battery Bracket
-	B084-92218-0000	1	PCB Circuit Board
-	0017-00101-1797	2	Hardware: Mounting Screw 16 MM
-	0017-00042-0821	4	Hardware: Plastic Grommet
-	0017-00101-1838	4	Hardware: Mounting Screw 19 MM
-	0017-00003-0685	1	6V Battery

References

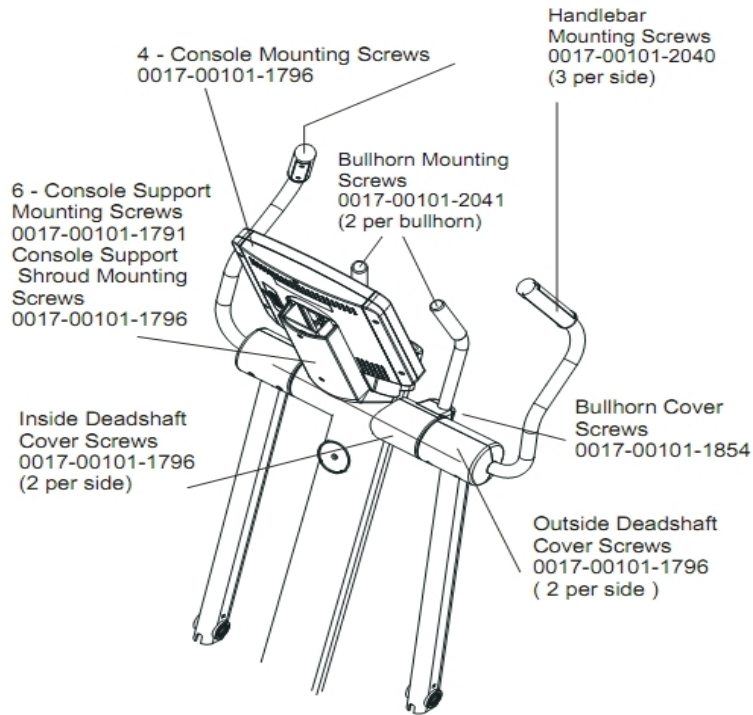
Ref #	Part Number	Qty	Description
-	0017-00021-2846	1	F-Type Panel Connector
-	0017-00008-0205	1	5 oz Bottle - Arctic Silver
-	GK62-00002-0021	1	Plug in Option 230/50
-	AK62-00210-0000	1	Power-Cable with Bracket Assembly
-	0017-00042-0754	2	Hardware: Grommet
-	0017-00008-0206	1	.33oz Pen - Arctic Silver
-	OK62-01179-0001	1	Bracket: Access Panel; Plug-in
-	AK32-00020-0002	1	Coax Cable: 120"
-	AK32-00078-0001	1	Power Extension Cable: 120"
-	AK62-00152-0001	1	Hardware Bag
-	0017-00008-0204	1	Paint Spray Can - Arctic Silver

Rocker Arms and Pedal Levers



Ref #	Part Number	Qty	Description
-	OK61-01259-0000	2	Shaft Split Collar
-	AK58-00245-0000	1	Bug Medallion
-	GK62-00002-0070	3	Rocker Arm Kit
-	AK62-00236-0000	1	Right Pedal Lever Assembly
-	OK62-01307-0000	1	Hardware: Spacer
-	OK62-01305-0000	1	Oilite Bearing
-	0017-00100-0178	1	Hardware: Retaining Ring 1.25"
-	AK62-00235-0000	1	Left Pedal Lever Assembly

Upper Frame Hardware



Items Not Shown:

Accessory Tray	0K62-01022-0001 (Stealth Gray)
Mounting Screws (2)	0017-00101-1846

Ref #	Part Number	Qty	Description
-	0017-00101-2041	4	Hardware: Bullhorn Mounting Screw
-	0K62-01022-0001	1	Accessory Tray
-	0017-00101-1854	2	Hardware: Bullhorn Cover Screw 44MM
-	0017-00101-1796	13	Hardware: Mounting Screw 19 MM
-	0017-00101-1791	6	Hardware: TORX Screw 19 MM
-	0017-00101-1846	4	Hardware: Phillips Pan Screw 10 MM
-	0017-00101-2040	6	Hardware: Handlebar Mounting Screw

