

95Xi Cross-Trainer - Prewired w/LCD - Entertainment Controls

95XWEZ-0000-01

Parts Manual

1/5/2019 11:37:48 AM





Table of Contents

Bearing Insert Assembly.....	3
Cables.....	4
Console And Related Components.....	5
Console Support And Deadshaft Covers.....	6
Crank Arm Pulley Assembly.....	7
Crank Cover And Lower Caps.....	8
Drive Module.....	9
Drive Module Hardware.....	10
Handlebars And Bullhorns.....	11
Lower Frame Shrouds And Hardware.....	12
Pedal Lever Assembly Components.....	13
PCB, Batter, Reed Switch And Bracket.....	15
References.....	16
Rocker Arms And Pedal Levers.....	17
Unlabeled Parts.....	18
Upper Frame Hardware.....	20

Bearing Insert Assembly

Service Kit- GK62-00002-0044

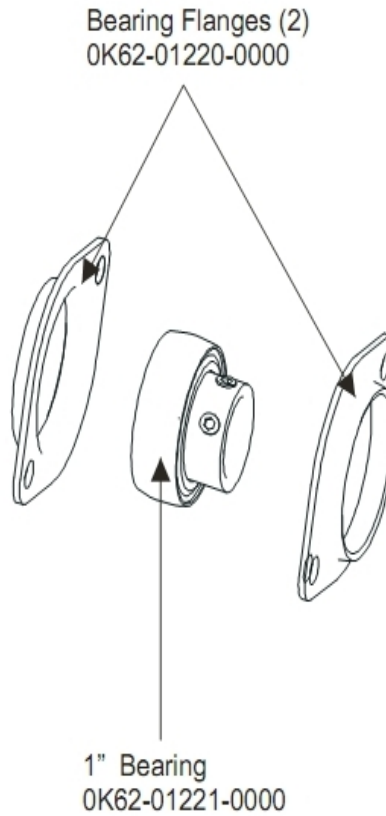
Includes:

- 1 - crankshaft
- 2 - bearings
- 2 - sets of bearing flanges
- 4 - weldnuts and flat washers
- 4 - bolts

Service Kit- GK62-00002-0045

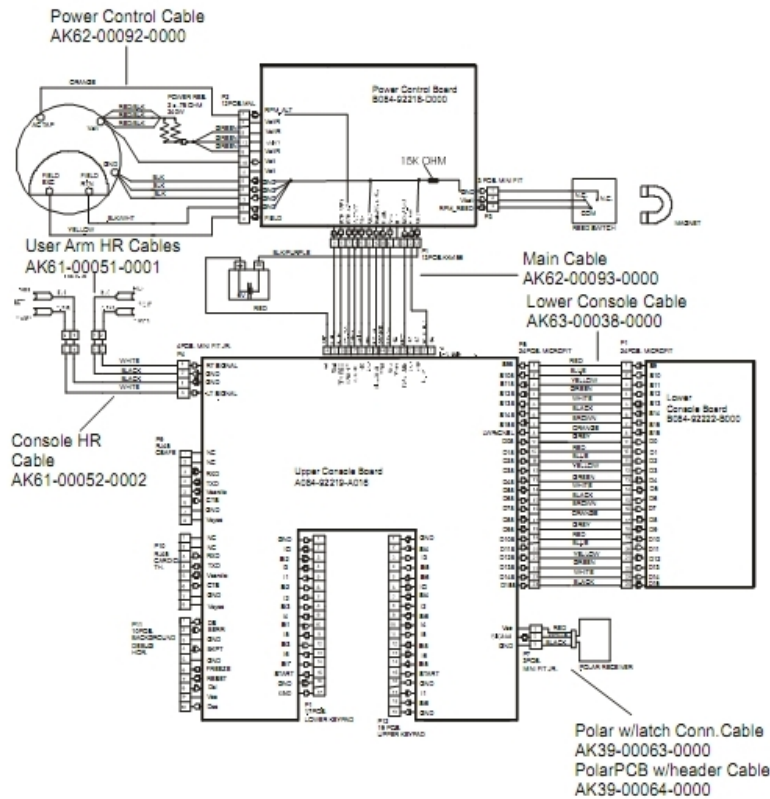
Includes:

- 1 - intermediate shaft
- 2 - bearings
- 2 - sets of bearing flanges
- 4 - weldnuts and flat washers
- 4 - bolts



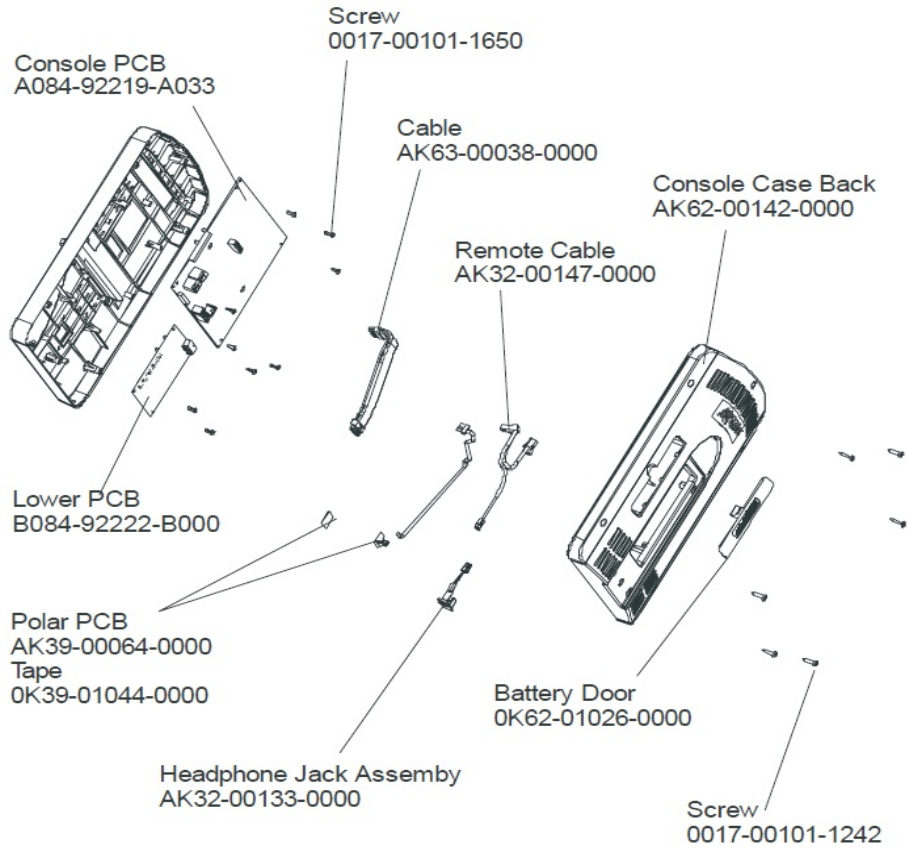
Ref #	Part Number	Qty	Description
-	AK63-00299-0007	1	SHROUD W/DECAL ASSY; LT; LIFECYCLE
-	GK62-00002-0044	1	Crankshaft Bearing Kit
-	0K62-01221-0000	1	1" Bearing
-	GK62-00002-0045	1	Intermediate Shaft Bearing Kit
-	0K62-01220-0000	2	Bearing Flange

Cables



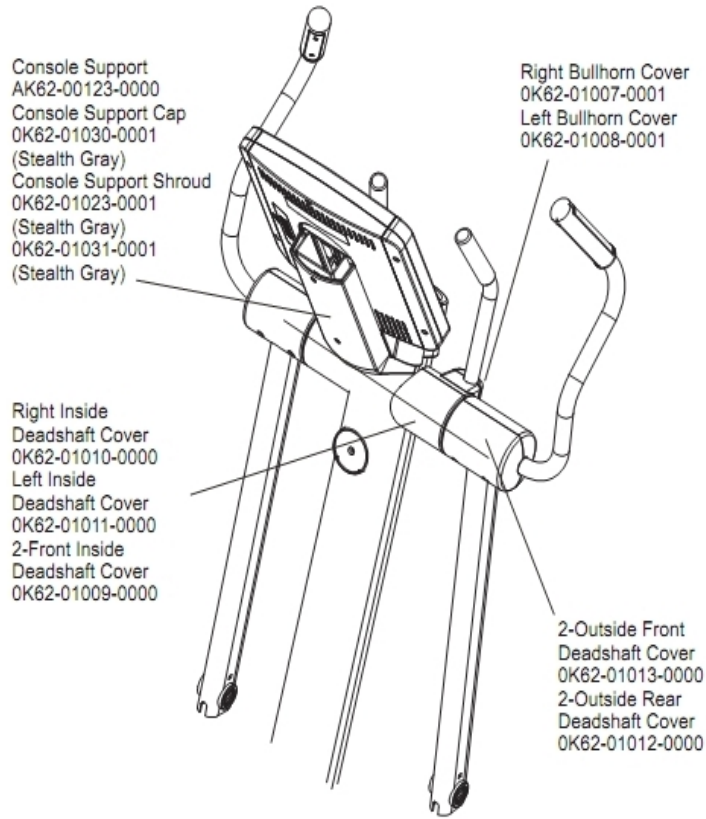
Ref #	Part Number	Qty	Description
-	AK61-00052-0002	1	Lifepulse Sensor Cable
-	118E-00001-0259	1	Wireless Receiver Module, Non-Coded
-	B084-92218-0000	1	PCB Circuit Board
-	AK63-00038-0000	1	Lower Console Cable
-	AK39-00063-0000	1	Polar Cable
-	A084-92219-A016	1	Console Board - Upper
-	AK61-00051-0001	1	Lifepulse: User-Arm
-	AK62-00092-0000	1	Power Control Cable
-	AK62-00093-0000	1	Main Cable
-	B084-92222-B000	1	Console Board - Lower

Console And Related Components



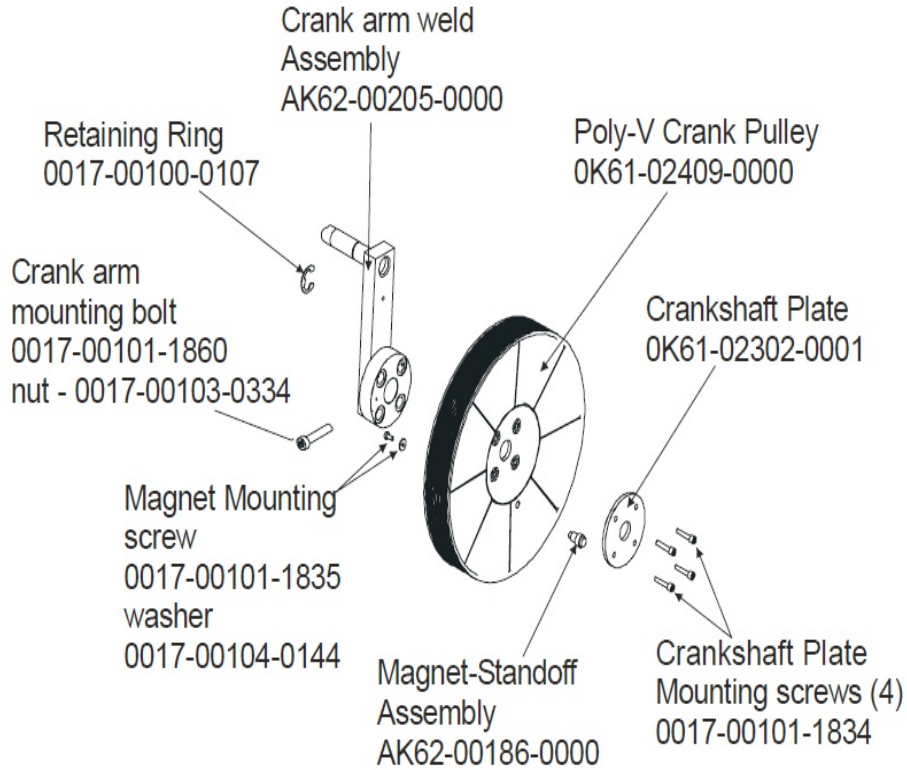
Ref #	Part Number	Qty	Description
-	B084-92222-B000	1	Console Board - Lower
-	0017-00101-1242	1	Hardware: Phillips Pan Screw 0.75"
-	0K39-01044-0000	1	Tape
-	AK62-00315-0001	1	Console - English
-	AK32-00133-0000	1	Headphone Jack Assembly
-	A084-92219-A033	1	Console PCB
-	0K62-01026-0000	1	Battery Door
-	AK62-00142-0000	1	Console Case with Decal
-	AK32-00147-0000	1	Cable Headphone Assembly
-	0017-00101-1650	1	Hardware: Phillips Pan Screw 0.375"
-	118E-00001-0259	1	Wireless Receiver Module, Non-Coded
-	AK63-00038-0000	1	Lower Console Cable

Console Support And Deadshaft Covers



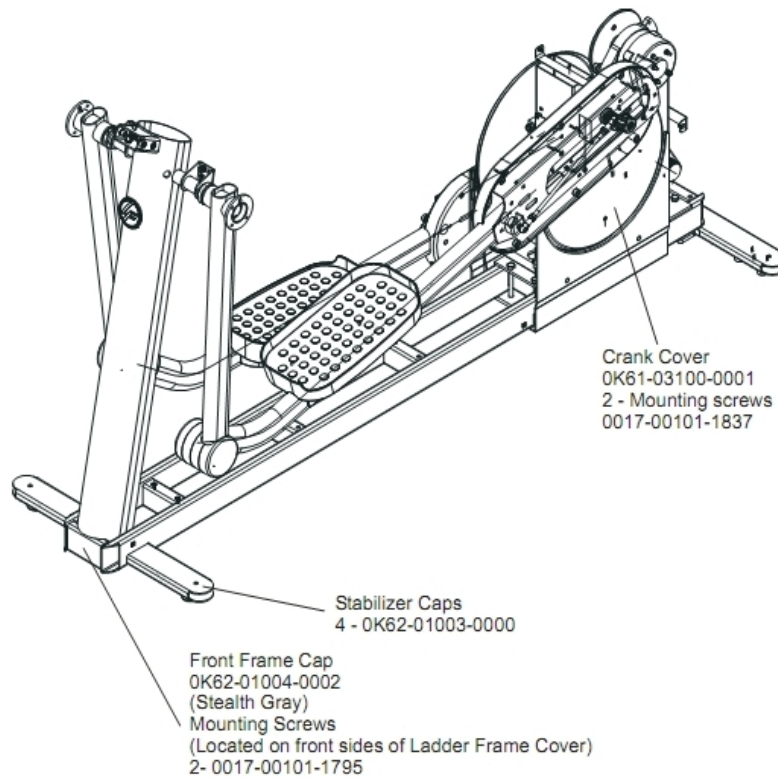
Ref #	Part Number	Qty	Description
-	0K62-01007-0001	1	Bullhorn Cover Right
-	0K62-01012-0000	2	Front Outside Deadshaft Cover
-	0K62-01009-0000	2	Front Inside Deadshaft Cover
-	0K62-01010-0000	1	Right Inside Deadshaft Cover
-	AK62-00123-0000	1	Console Support
-	0K62-01030-0001	1	Console Support Cap
-	0K62-01013-0000	2	Rear Outside Deadshaft Cover
-	0K62-01023-0001	1	Console Support Shroud
-	0K62-01031-0001	1	Cap
-	0K62-01011-0000	1	Left Inside Deadshaft Cover
-	0K62-01008-0001	1	Bullhorn Cover Left

Crank Arm Pulley Assembly



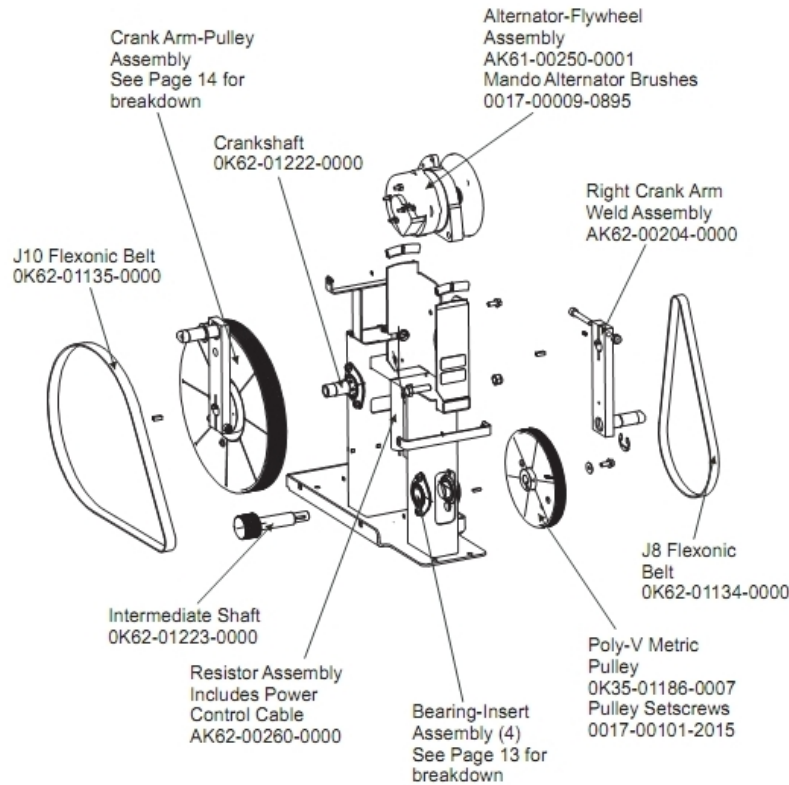
Ref #	Part Number	Qty	Description
-	0K61-02409-0000	1	Poly-V Crank Pulley
-	0017-00100-0107	1	Hardware: E-Ring 1"
-	0017-00101-1849	1	Hardware: Crank arm mounting bolt
-	0017-00101-1834	4	Hardware: Screw 24MM
-	0017-00103-0334	1	Hardware: Nut 10 MM
-	0K61-02302-0001	1	Crankshaft Plate
-	AK62-00205-0000	1	Crankarm
-	AK62-00186-0000	1	Magnet-Standoff Assembly
-	0017-00104-0144	1	Hardware: Washer 0.625" OD
-	0017-00101-1835	1	Hardware: Screw 10MM

Crank Cover And Lower Caps



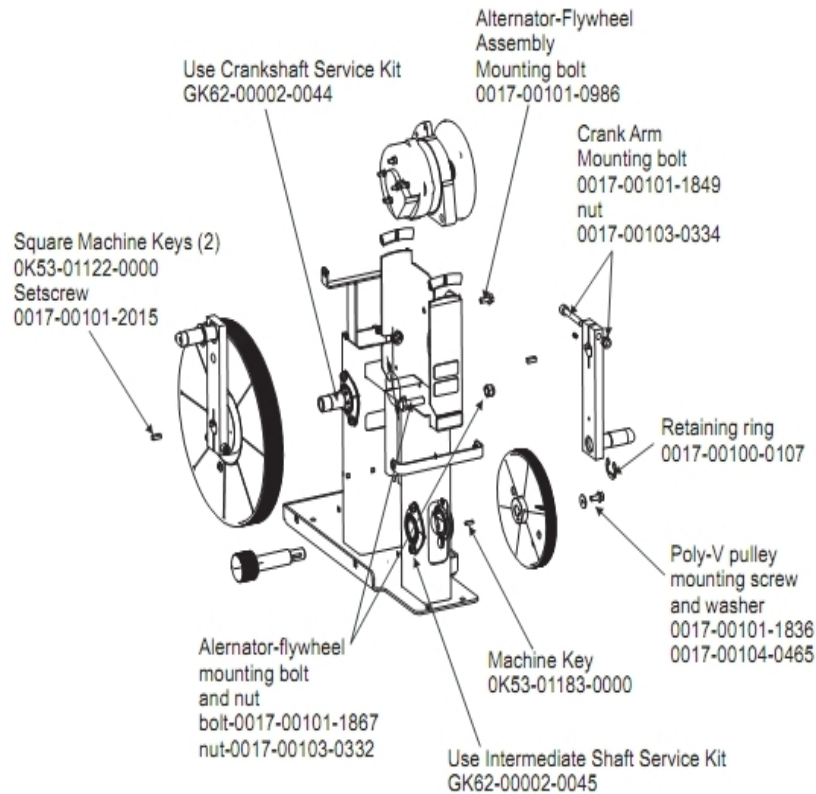
Ref #	Part Number	Qty	Description
-	0K62-01004-0002	1	Front frame Cap
-	0017-00101-1837	2	Hardware: Screw 18MM
-	0K68-01130-0300	4	CAP; STABILIZER; STEALTH GREY
-	0017-00101-1795	2	Hardware: Mounting Screw
-	0K61-03100-0002	1	Crank Cover

Drive Module



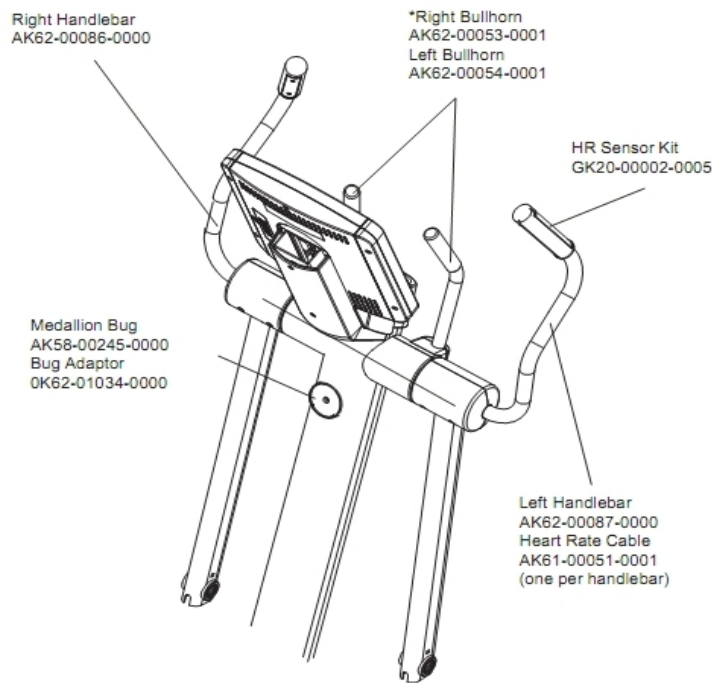
Ref #	Part Number	Qty	Description
-	0K62-01134-0000	1	Flexonic Belt
-	0K62-01135-0000	1	Drive Belt
-	0K62-01222-0001	1	Crankshaft
-	0017-00009-0895	1	Alternator Brush Kit
-	AK62-00204-0000	1	Right Crankarm
-	0K35-01186-0007	1	Poly-V Pulley
-	0K62-01223-0000	1	Intermediate Shaft
-	AK62-00260-0000	1	Resistor Assembly
-	AK61-00250-0001	1	Alternator w/Flywheel
-	0017-00101-2015	1	Hardware: Pulley Set Screw 15 MM

Drive Module Hardware



Ref #	Part Number	Qty	Description
-	0017-00101-1849	1	Hardware: Crank arm mounting bolt
-	0017-00104-0465	1	Hardware: Flat Washer 23MM OD
-	OK53-01122-0000	2	Square Key
-	OK53-01183-0000	1	Hex key
-	GK62-00002-0044	1	Crankshaft Bearing Kit
-	0017-00103-0334	1	Hardware: Nut 10 MM
-	0017-00101-0986	1	Hardware: Bolt 0.75"
-	0017-00101-1836	1	Hardware: Screw 10 MM
-	GK62-00002-0045	1	Intermediate Shaft Bearing Kit
-	0017-00101-1867	1	Hardware: Mounting Bolt 45 MM
-	0017-00100-0107	1	Hardware: E-Ring 1"
-	0017-00103-0332	1	Hardware: Mounting Nut
-	0017-00101-2015	1	Hardware: Pulley Set Screw 15 MM

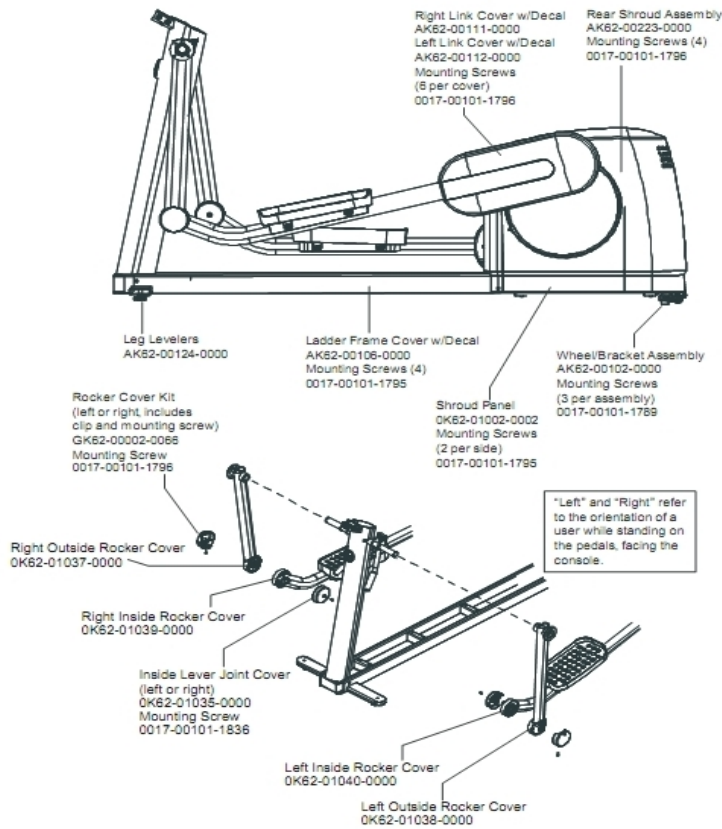
Handlebars And Bullhorns



*Right Bullhorn Assembly consists of: AK62-00057-0001 Bullhorn,
OK62-01136-0000 Grip and OK62-01199-0000 Gasket
Left Bullhorn Assembly consists of: AK62-00058-0001 Bullhorn,
OK62-01136-0000 Grip and OK62-01199-0000 Gasket

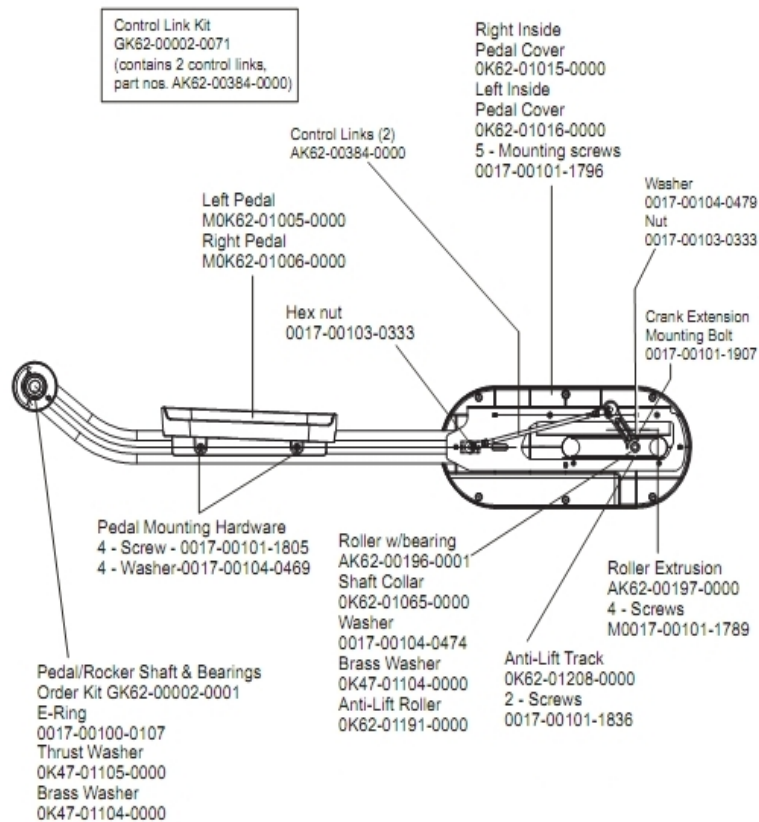
Ref #	Part Number	Qty	Description
-	OK62-01199-0000	1	Bullhorn Gasket
-	OK62-01034-0001	1	Bug Adaptor
-	AK58-00245-0000	1	Bug Medallion
-	GK20-00002-0005	1	Heart Rate Electrode Kit
-	AK62-00057-0001	1	Right Bullhorn
-	AK62-00087-0000	1	Handlebar: Left
-	OK62-01136-0000	2	Grip
-	AK62-00053-0001	1	Right Bullhorn
-	AK62-00058-0001	1	Left Bullhorn
-	AK62-00086-0000	1	Handlebar: Right
-	AK61-00051-0001	1	Lifepulse: User-Arm
-	AK62-00054-0001	1	Left Bullhorn

Lower Frame Shrouds And Hardware



Ref #	Part Number	Qty	Description
-	AK62-00111-0000	1	Link Cover with Decal: Right
-	OK62-01035-0000	1	Inside Lever Joint Cover
-	OK62-01038-0000	1	Left Inside Rocker Cover
-	OK62-01037-0000	1	
-	AK62-00112-0000	1	Link Cover with Decal: Left
-	GK62-00002-0066	1	Rocker Cover Kit
-	0017-00101-1795	8	Hardware: Mounting Screw
-	0017-00101-1836	1	Hardware: Screw 10 MM
-	AK62-00102-0000	1	Wheel/Bracket Assembly
-	AK62-00223-0000	1	Rear Shroud Assembly
-	OK62-01002-0003	1	Shroud Panel
-	0017-00101-1789	1	Hardware: Mounting Screws
-	OK62-01039-0000	1	Right Inside Lever Joint Cover
-	0017-00101-1796	11	Hardware: Mounting Screw 19 MM
-	OK62-01040-0000	1	Left Inside Lever Joint Cover
-	AK62-00106-0001	1	Ladder Frame Cover with Decal
-	AK62-00124-0000	1	Leg Leveler

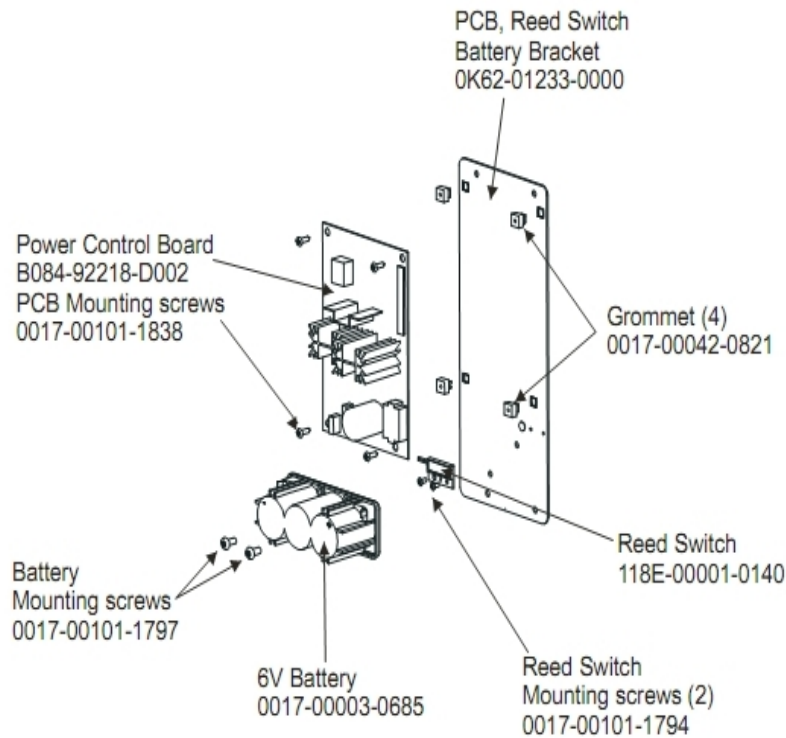
Pedal Lever Assembly Components



Ref #	Part Number	Qty	Description
-	OK62-01065-0000	1	Shaft Collar
-	OK47-01104-0000	2	Hardware: Thrust Washer
-	0017-00100-0107	1	Hardware: E-Ring 1"
-	AK62-00196-0001	1	Roller with Bearing
-	AK62-00197-0000	1	Roller Extrusion
-	GK62-00002-0001	1	Pedal/Rocker Shaft and Bearings
-	GK62-00002-0071	3	Control Link Kit
-	0017-00101-1789	4	Hardware: Mounting Screws
-	OK62-01005-0000	1	Left Pedal
-	OK62-01006-0000	1	Right Pedal
-	OK62-01016-0000	1	Inside Pedal Cover Left
-	OK62-01208-0000	1	Anti-Lift Track
-	0017-00101-1796	5	Hardware: Mounting Screw 19 MM
-	0017-00104-0474	1	Hardware: Washer
-	OK47-01105-0000	1	Hardware: Hardened Thrust Washer
-	OK62-01015-0000	1	Inside Pedal Cover Right
-	0017-00104-0479	1	Hardware: Flat Washer 25.4MM OD
-	0017-00101-1836	2	Hardware: Screw 10 MM
-	0017-00104-0469	4	Hardware: Flat Washer 16MM OD
-	0017-00101-1907	1	Hardware: Crank Extension Mounting Bolt
-	0017-00101-1805	4	Hardware: TORX Screw 25 MM

Ref #	Part Number	Qty	Description
-	0K62-01191-0000	1	Anti-Lift Roller
-	0017-00103-0333	1	Hardware: Hex Nut
-	0017-00103-0338	1	Hardware: Hex Nut 8 MM

PCB. Batter, Reed Switch And Bracket

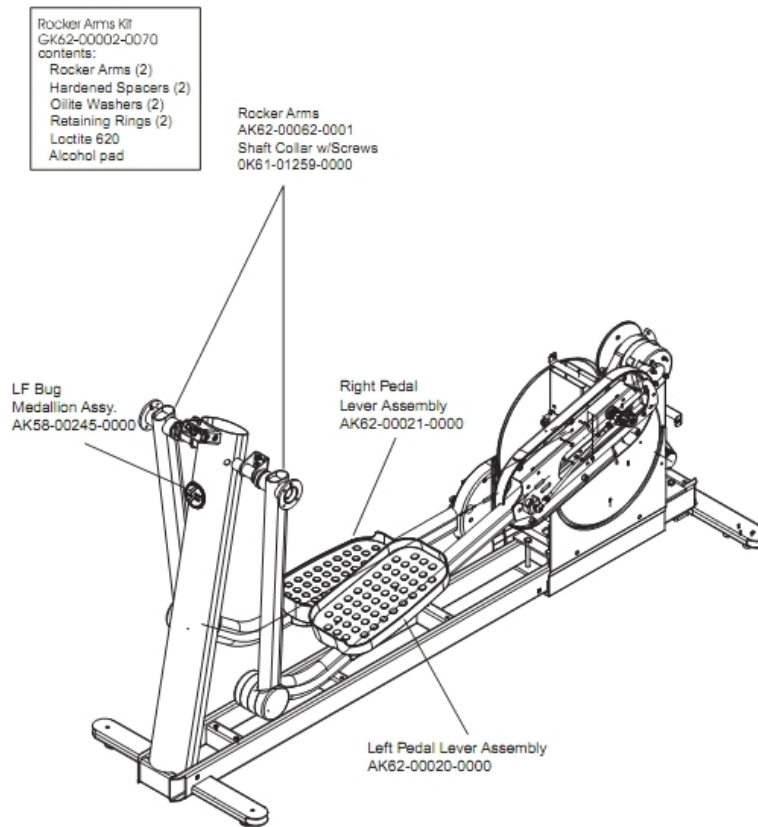


Ref #	Part Number	Qty	Description
-	118E-00001-0140	1	Reed Switch SPDT
-	0017-00101-1794	2	Hardware: Screw 10MM
-	0017-00101-1838	1	Hardware: Mounting Screw 19 MM
-	0K62-01233-0000	1	PCB Reed Switch Battery Bracket
-	B084-92218-0000	1	PCB Circuit Board
-	0017-00101-1797	1	Hardware: Mounting Screw 16 MM
-	0017-00042-0821	4	Hardware: Plastic Grommet
-	0017-00003-0685	1	6V Battery

References

Ref #	Part Number	Qty	Description
-	0017-00021-2846	1	F-Type Panel Connector
-	0017-00008-0205	1	5 oz Bottle - Arctic Silver
-	AK62-00210-0000	1	Power-Cable with Bracket Assembly
-	GK62-00002-0028	1	Crankshaft Kit with Bearing
-	GK62-00002-0018	1	Plug in Option 120/60
-	0017-00042-0754	2	Hardware: Grommet
-	AK62-00152-0001	1	Hardware Bag
-	0017-00008-0204	1	Paint Spray Can - Arctic Silver
-	AK32-00078-0001	1	Power Extension Cable: 120"
-	SK40-00045-0002	1	Chest Strap - Small
-	AK32-00020-0002	1	Coax Cable: 120"
-	0K62-01179-0001	1	Bracket: Access Panel; Plug-in
-	0017-00008-0206	1	.33oz Pen - Arctic Silver

Rocker Arms And Pedal Levers



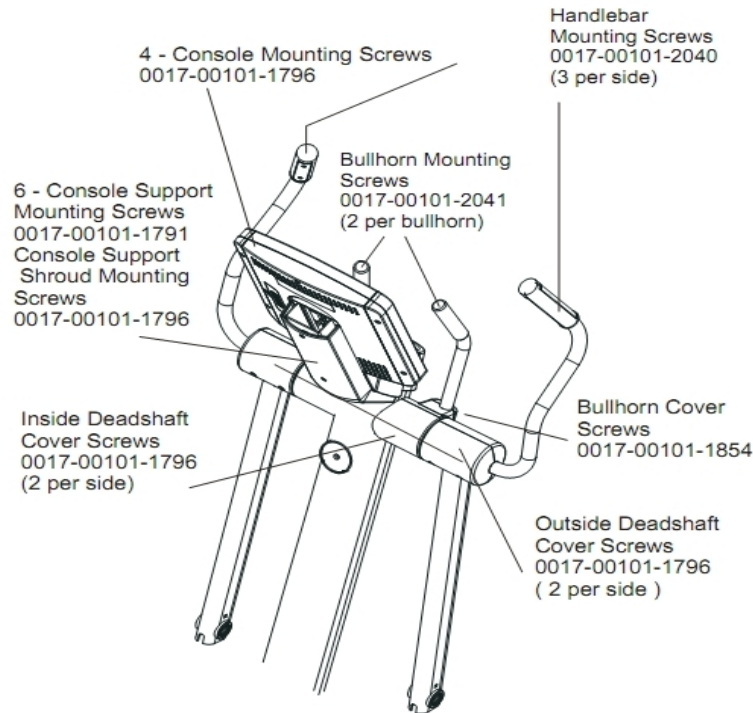
Ref #	Part Number	Qty	Description
-	OK61-01259-0000	1	Shaft Split Collar
-	AK58-00245-0000	1	Bug Medallion
-	GK62-00002-0070	2	Rocker Arm Kit
-	AK62-00236-0000	1	Right Pedal Lever Assembly
-	AK62-00235-0000	1	Left Pedal Lever Assembly

Unlabeled Parts

Ref #	Part Number	Qty	Description
-	0K62-01026-0000	1	Battery Door
-	0K62-01010-0000	1	Right Inside Deadshaft Cover
-	AK62-00235-0000	1	Left Pedal Lever Assembly
-	AK62-00210-0000	1	Power-Cable with Bracket Assembly
-	AK62-00142-0000	1	Console Case with Decal
-	AK62-00123-0000	1	Console Support
-	AK62-00087-0000	1	Handlebar: Left
-	A084-92219-A020	1	PCB Assembly
-	0K39-01044-0000	1	Tape
-	0K62-01009-0000	1	Front Inside Deadshaft Cover
-	0K62-01012-0000	1	Front Outside Deadshaft Cover
-	0K62-01199-0000	1	Bullhorn Gasket
-	AK32-00147-0000	1	Cable Headphone Assembly
-	AK62-00152-0001	1	Hardware Bag
-	0K62-01034-0001	1	Bug Adaptor
-	AK32-00078-0001	1	Power Extension Cable: 120"
-	AK32-00133-0000	1	Headphone Jack Assembly
-	AK62-00315-0001	1	Console - English
-	0K62-01007-0001	1	Bullhorn Cover Right
-	AK32-00020-0002	1	Coax Cable: 120"
-	GK62-00002-0070	1	Rocker Arm Kit

Ref #	Part Number	Qty	Description
-	AK58-00245-0000	1	Bug Medallion
-	0K61-01259-0000	1	Shaft Split Collar
-	0017-00100-0178	1	Hardware: Retaining Ring 1.25"
-	GK62-00002-0030	1	Kit: Serv; Console; Mfg; with FM; NTSC; Spanish
-	AK62-00057-0001	1	Right Bullhorn
-	AK62-00054-0001	1	Left Bullhorn
-	0017-00101-1280	4	Hardware: Pan Screw
-	0017-00101-1854	1	Hardware: Bullhorn Cover Screw 44MM
-	0K62-01008-0001	1	Bullhorn Cover Left
-	0K62-01011-0000	1	Left Inside Deadshaft Cover
-	0K62-01136-0000	1	Grip
-	AK62-00236-0000	1	Right Pedal Lever Assembly
-	GK62-00002-0071	1	Control Link Kit
-	M051-00K63-A102	1	Instructions: Product Feature Notice
-	0017-00042-0754	1	Hardware: Grommet
-	0017-00101-1650	6	Hardware: Phillips Pan Screw 0.375"
-	0K62-01023-0001	1	Console Support Shroud
-	AK62-00053-0001	1	Right Bullhorn
-	AK62-00058-0001	1	Left Bullhorn
-	AK62-00086-0000	1	Handlebar: Right
-	0017-00101-1242	8	Hardware: Phillips Pan Screw 0.75"
-	0017-00101-1791	1	Hardware: TORX Screw 19 MM
-	0017-00101-1846	1	Hardware: Phillips Pan Screw 10 MM
-	0017-00104-0418	1	Hardware: Flat Washer 1.75" OD
-	0K62-01022-0202	1	Accessory Tray
-	0K62-01013-0000	1	Rear Outside Deadshaft Cover
-	0K62-01030-0001	1	Console Support Cap

Upper Frame Hardware



Items Not Shown:

Accessory Tray	0K62-01022-0001 (Stealth Gray)
Mounting Screws (2)	0017-00101-1846

Ref #	Part Number	Qty	Description
-	0017-00101-1791	6	Hardware: TORX Screw 19 MM
-	0017-00101-1846	2	Hardware: Phillips Pan Screw 10 MM
-	0017-00101-2041	4	Hardware: Bullhorn Mounting Screw
-	0K62-01022-0001	1	Accessory Tray
-	0017-00101-2040	6	Hardware: Handlebar Mounting Screw
-	0017-00101-1854	1	Hardware: Bullhorn Cover Screw 44MM
-	0017-00101-1796	13	Hardware: Mounting Screw 19 MM

