

# 95Xi Cross-Trainer - Prewired w/LCD - Entertainment Controls

95XWEZ-0100-01

## Parts Manual

1/5/2019 11:37:48 AM





**Table of Contents**

---

[Bearing Insert Assembly.....](#)3  
[Cables.....](#)4  
[Console and Related Components.....](#)5  
[Console Support and Deadshaft Covers.....](#)6  
[Crank Arm Pulley Assembly.....](#)7  
[Crank Cover and Lower Caps.....](#)8  
[Drive Module.....](#)9  
[Drive Module Hardware.....](#)10  
[Handlebars and Bullhorns.....](#)11  
[Lower Frame Shrouds and Hardware.....](#)12  
[Pedal Lever Assembly Components.....](#)13  
[PCB, Battery, Reed Switch and Bracket.....](#)15  
[References.....](#)16  
[Rocker Arms and Pedal Levers.....](#)17  
[Unlabeled Parts.....](#)18  
[Upper Frame Hardware.....](#)20

## Bearing Insert Assembly

Service Kit- GK62-00002-0044

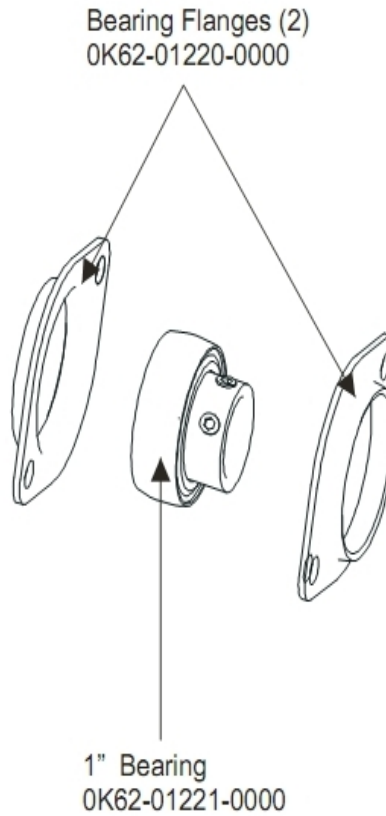
Includes:

- 1 - crankshaft
- 2 - bearings
- 2 - sets of bearing flanges
- 4 - weldnuts and flat washers
- 4 - bolts

Service Kit- GK62-00002-0045

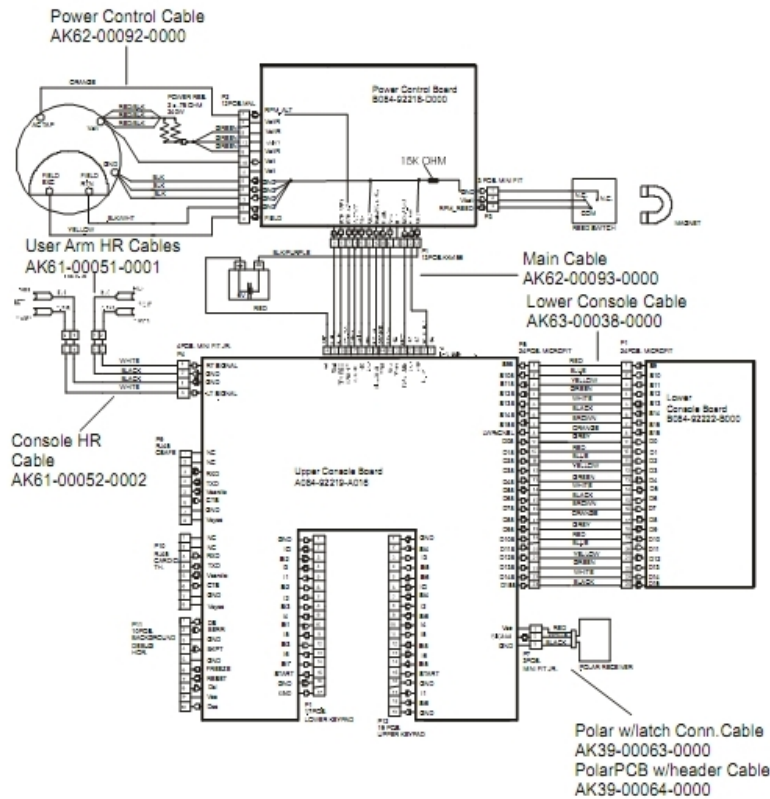
Includes:

- 1 - intermediate shaft
- 2 - bearings
- 2 - sets of bearing flanges
- 4 - weldnuts and flat washers
- 4 - bolts



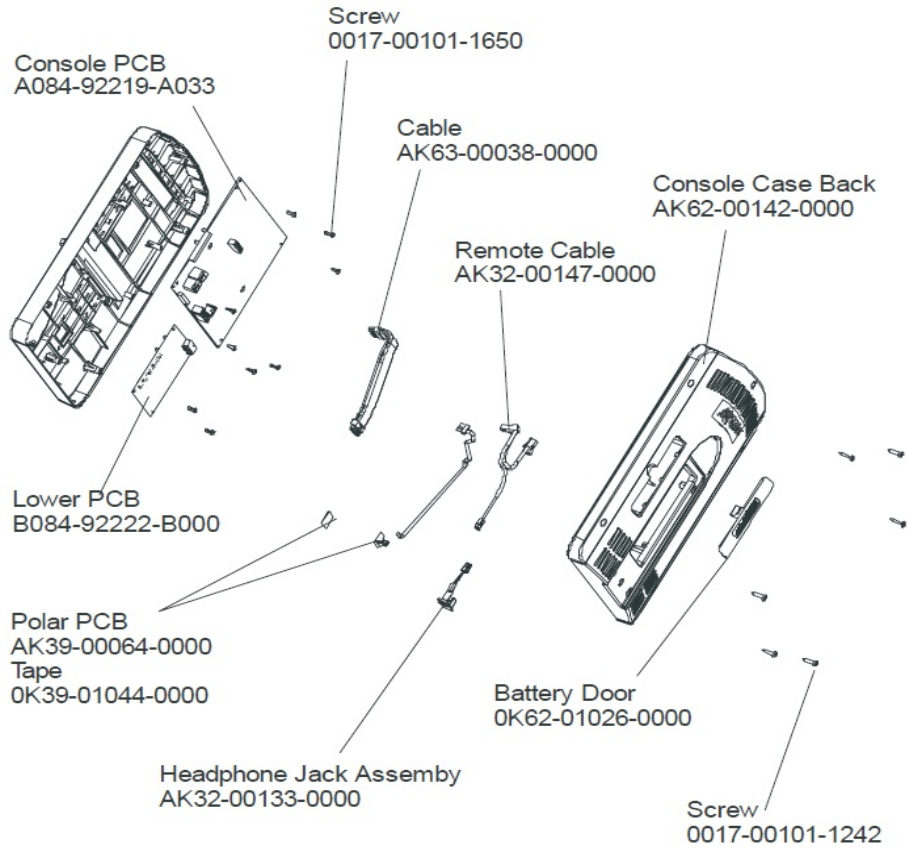
Ref #	Part Number	Qty	Description
-	GK62-00002-0044	1	Crankshaft Bearing Kit
-	0K62-01220-0000	2	Bearing Flange
-	0K62-01221-0000	1	1" Bearing
-	GK62-00002-0045	1	Intermediate Shaft Bearing Kit
-	AK63-00299-0000	1	Left Side Shroud w/decals

## Cables



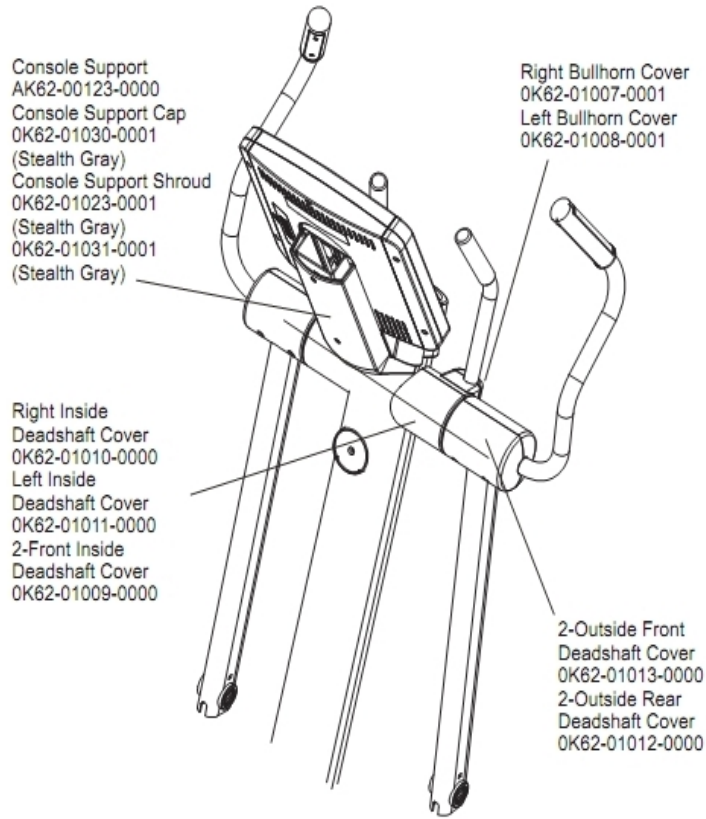
Ref #	Part Number	Qty	Description
-	B084-92222-B000	1	Console Board - Lower
-	AK62-00093-0000	1	Main Cable
-	AK61-00052-0002	1	Lifepulse Sensor Cable
-	AK62-00092-0000	1	Power Control Cable
-	AK39-00063-0000	1	Polar Cable
-	A084-92219-A016	1	Console Board - Upper
-	B084-92218-0000	1	PCB Circuit Board
-	118E-00001-0259	1	Wireless Receiver Module, Non-Coded
-	AK63-00038-0000	1	Lower Console Cable
-	AK61-00051-0001	1	Lifepulse: User-Arm

## Console and Related Components



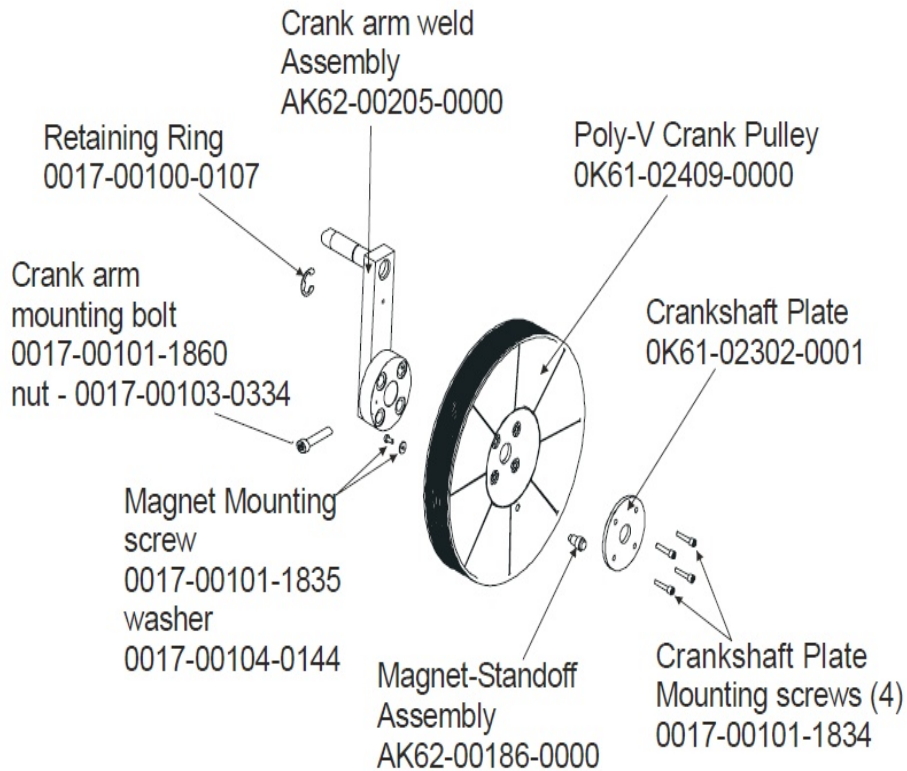
Ref #	Part Number	Qty	Description
-	0017-00101-1242	6	Hardware: Phillips Pan Screw 0.75"
-	A084-92219-A033	1	Console PCB
-	0K39-01044-0000	1	Tape
-	AK63-00038-0000	1	Lower Console Cable
-	0017-00101-1650	2	Hardware: Phillips Pan Screw 0.375"
-	0K62-01026-0000	1	Battery Door
-	AK62-00315-0001	1	Console - English
-	AK32-00147-0000	1	Cable Headphone Assembly
-	B084-92222-B000	1	Console Board - Lower
-	118E-00001-0259	1	Wireless Receiver Module, Non-Coded
-	AK32-00133-0000	1	Headphone Jack Assembly
-	AK62-00142-0000	1	Console Case with Decal

## Console Support and Deadshaft Covers



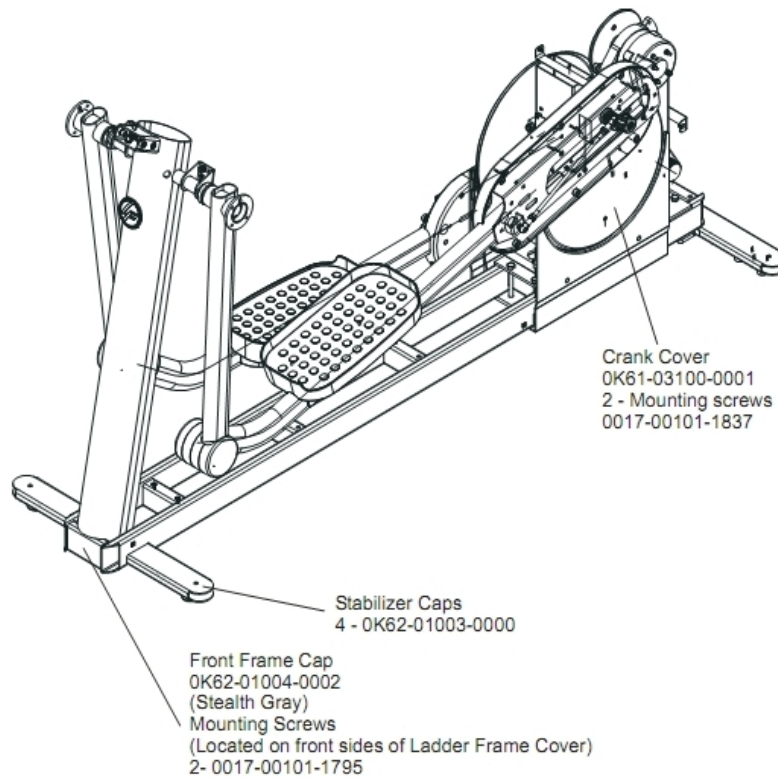
Ref #	Part Number	Qty	Description
-	0K62-01023-0001	1	Console Support Shroud
-	0K62-01030-0001	1	Console Support Cap
-	0K62-01007-0001	1	Bullhorn Cover Right
-	0K62-01009-0000	2	Front Inside Deadshaft Cover
-	0K62-01031-0001	1	Cap
-	0K62-01011-0000	1	Left Inside Deadshaft Cover
-	0K62-01008-0001	1	Bullhorn Cover Left
-	0K62-01010-0000	1	Right Inside Deadshaft Cover
-	0K62-01012-0000	2	Front Outside Deadshaft Cover
-	0K62-01013-0000	2	Rear Outside Deadshaft Cover
-	AK62-00123-0000	1	Console Support

## Crank Arm Pulley Assembly



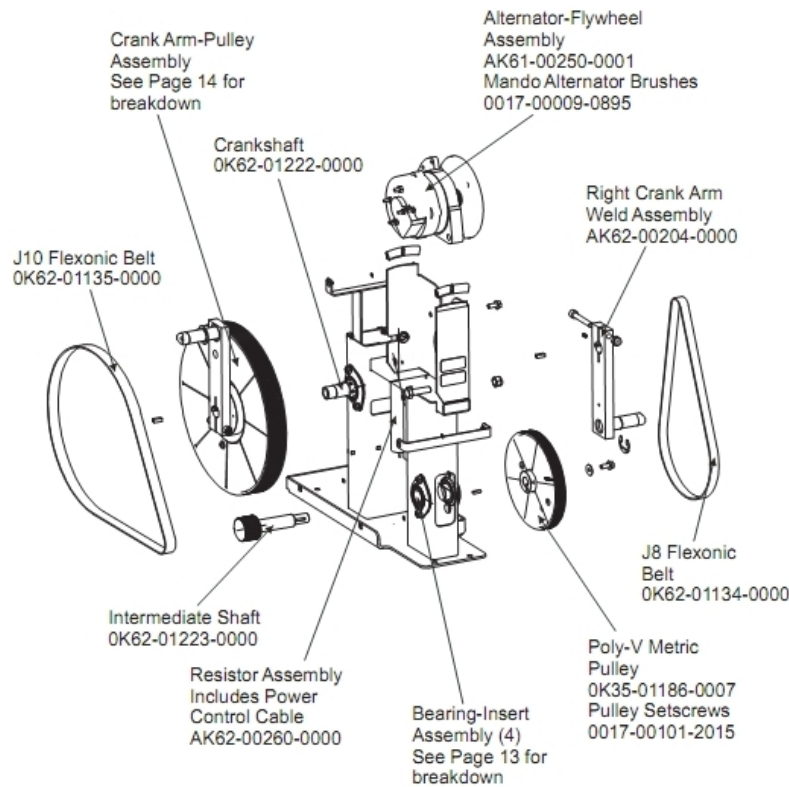
Ref #	Part Number	Qty	Description
-	AK62-00186-0000	1	Magnet-Standoff Assembly
-	0017-00101-1835	1	Hardware: Screw 10MM
-	AK62-00205-0000	1	Crankarm
-	0K61-02302-0001	1	Crankshaft Plate
-	0017-00100-0107	1	Hardware: E-Ring 1"
-	0017-00101-1834	4	Hardware: Screw 24MM
-	0017-00101-1849	1	Hardware: Crank arm mounting bolt
-	0017-00104-0144	1	Hardware: Washer 0.625" OD
-	0017-00103-0334	1	Hardware: Nut 10 MM
-	0K61-02409-0000	1	Poly-V Crank Pulley

## Crank Cover and Lower Caps



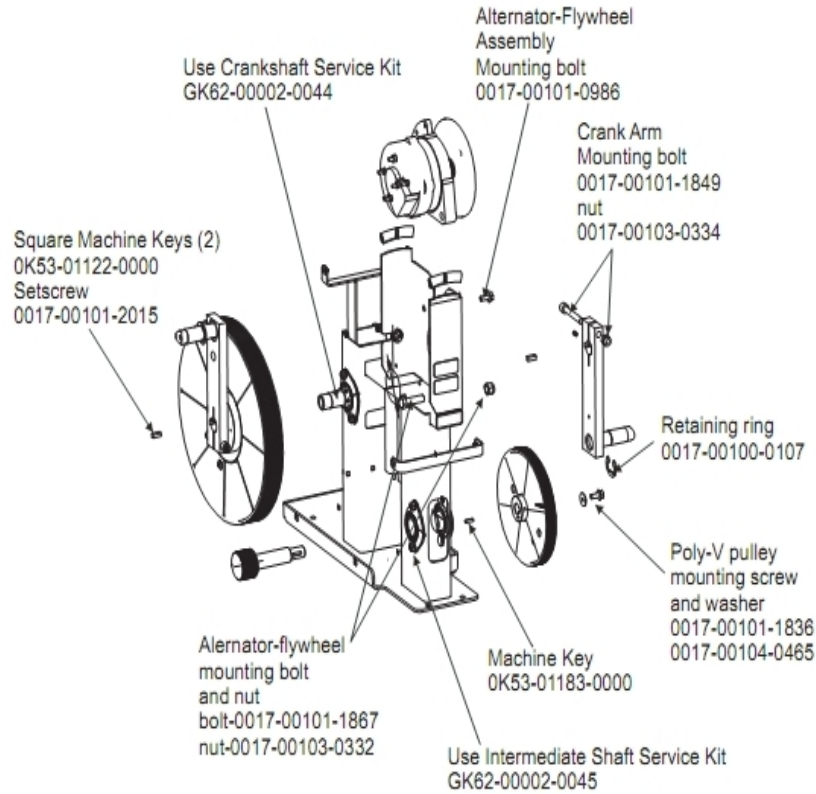
Ref #	Part Number	Qty	Description
-	0K61-03100-0002	1	Crank Cover
-	0017-00101-1795	2	Hardware: Mounting Screw
-	0K68-01130-0200	4	CAP; STABILIZER; SHADOW GREY
-	0017-00101-1837	2	Hardware: Screw 18MM
-	0K62-01004-0002	1	Front frame Cap

## Drive Module



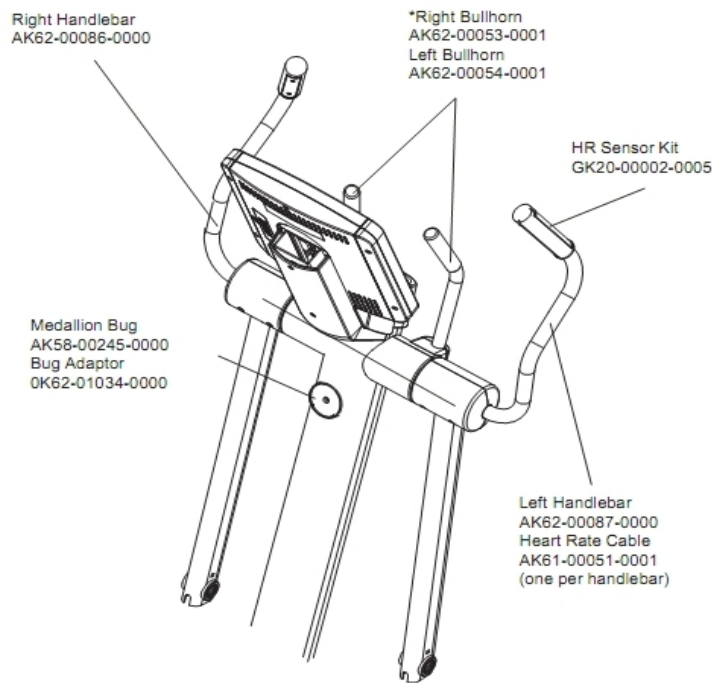
Ref #	Part Number	Qty	Description
-	0K62-01134-0000	1	Flexonic Belt
-	0K62-01135-0000	1	Drive Belt
-	0K62-01222-0001	1	Crankshaft
-	0017-00009-0895	1	Alternator Brush Kit
-	AK62-00204-0000	1	Right Crankarm
-	0K35-01186-0007	1	Poly-V Pulley
-	0K62-01223-0000	1	Intermediate Shaft
-	AK62-00260-0000	1	Resistor Assembly
-	AK61-00250-0001	1	Alternator w/Flywheel
-	0017-00101-2015	2	Hardware: Pulley Set Screw 15 MM

## Drive Module Hardware



Ref #	Part Number	Qty	Description
-	0017-00101-1849	1	Hardware: Crank arm mounting bolt
-	0017-00104-0465	1	Hardware: Flat Washer 23MM OD
-	OK53-01122-0000	2	Square Key
-	OK53-01183-0000	1	Hex key
-	GK62-00002-0044	1	Crankshaft Bearing Kit
-	0017-00103-0334	1	Hardware: Nut 10 MM
-	0017-00101-0986	1	Hardware: Bolt 0.75"
-	0017-00101-1836	1	Hardware: Screw 10 MM
-	GK62-00002-0045	1	Intermediate Shaft Bearing Kit
-	0017-00101-1867	1	Hardware: Mounting Bolt 45 MM
-	0017-00100-0107	1	Hardware: E-Ring 1"
-	0017-00103-0332	1	Hardware: Mounting Nut
-	0017-00101-2015	1	Hardware: Pulley Set Screw 15 MM

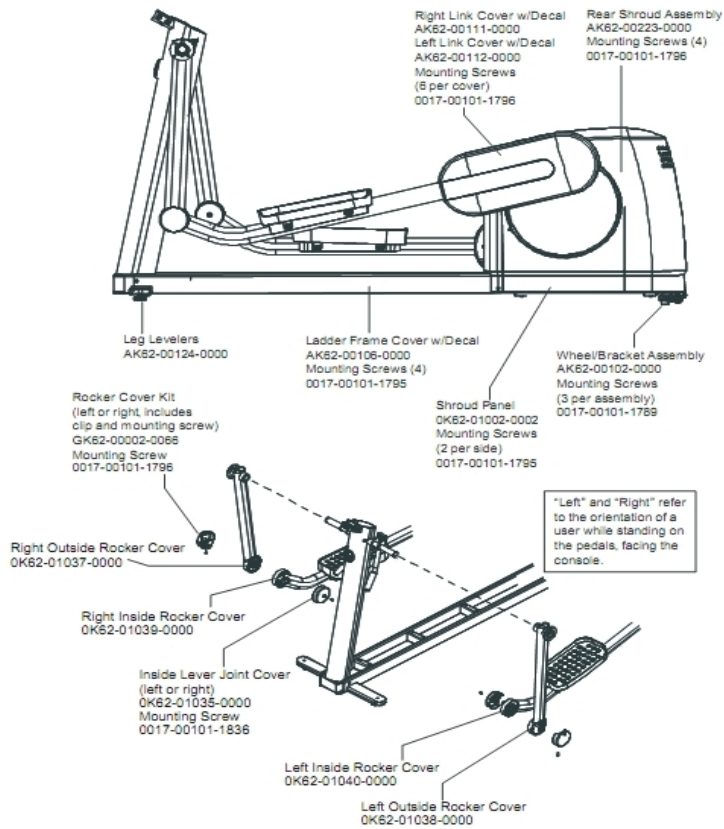
## Handlebars and Bullhorns



\*Right Bullhorn Assembly consists of: AK62-00057-0001 Bullhorn,  
OK62-01136-0000 Grip and OK62-01199-0000 Gasket  
Left Bullhorn Assembly consists of: AK62-00058-0001 Bullhorn,  
OK62-01136-0000 Grip and OK62-01199-0000 Gasket

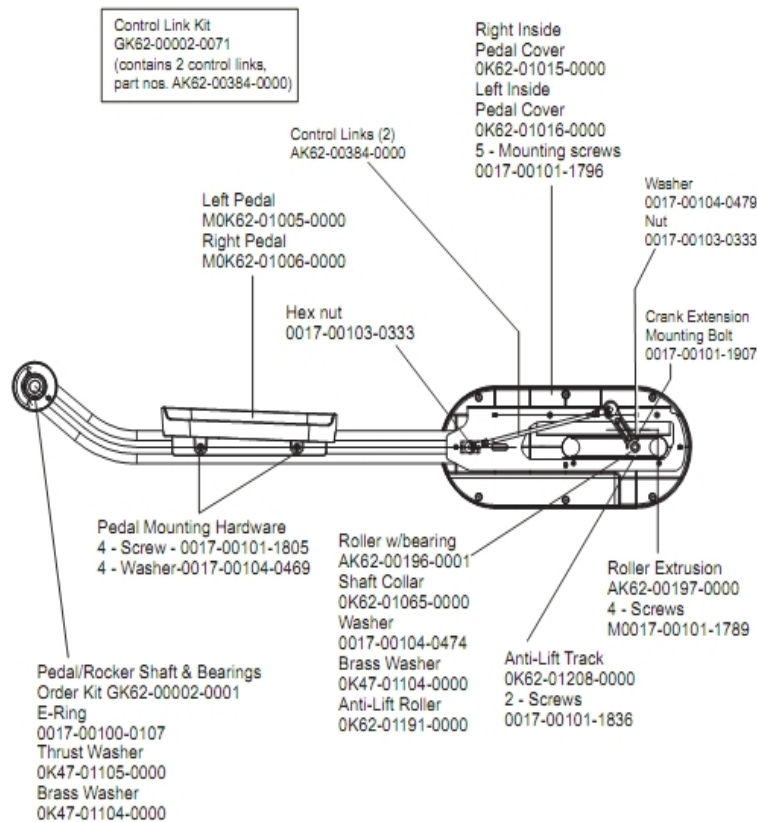
Ref #	Part Number	Qty	Description
-	OK62-01199-0000	1	Bullhorn Gasket
-	OK62-01034-0001	1	Bug Adaptor
-	AK58-00245-0000	1	Bug Medallion
-	GK20-00002-0005	1	Heart Rate Electrode Kit
-	AK62-00057-0001	1	Right Bullhorn
-	AK62-00087-0000	1	Handlebar: Left
-	OK62-01136-0000	2	Grip
-	AK62-00053-0001	1	Right Bullhorn
-	AK62-00058-0001	1	Left Bullhorn
-	AK62-00086-0000	1	Handlebar: Right
-	AK61-00051-0001	1	Lifepulse: User-Arm
-	AK62-00054-0001	1	Left Bullhorn

## Lower Frame Shrouds and Hardware



Ref #	Part Number	Qty	Description
-	AK62-00111-0000	1	Link Cover with Decal: Right
-	AK62-00124-0000	2	Leg Leveler
-	OK62-01038-0000	1	Left Inside Rocker Cover
-	OK62-01037-0000	1	
-	AK62-00112-0000	1	Link Cover with Decal: Left
-	GK62-00002-0066	1	Rocker Cover Kit
-	0017-00101-1836	1	Hardware: Screw 10 MM
-	0017-00101-1795	8	Hardware: Mounting Screw
-	AK62-00102-0000	2	Wheel/Bracket Assembly
-	AK62-00223-0000	1	Rear Shroud Assembly
-	OK62-01002-0003	1	Shroud Panel
-	0017-00101-1789	1	Hardware: Mounting Screws
-	OK62-01039-0000	1	Right Inside Lever Joint Cover
-	0017-00101-1796	17	Hardware: Mounting Screw 19 MM
-	OK62-01040-0000	1	Left Inside Lever Joint Cover
-	AK62-00106-0001	1	Ladder Frame Cover with Decal
-	OK62-01035-0000	1	Inside Lever Joint Cover

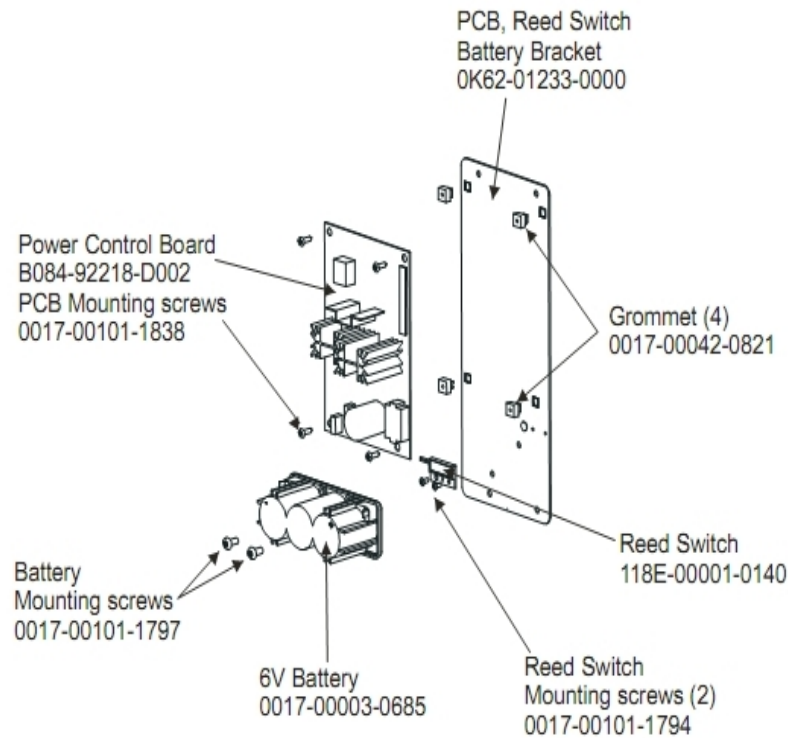
## Pedal Lever Assembly Components



Ref #	Part Number	Qty	Description
-	0017-00103-0333	2	Hardware: Hex Nut
-	0017-00103-0338	2	Hardware: Hex Nut 8 MM
-	0017-00101-1805	8	Hardware: TORX Screw 25 MM
-	0017-00101-1907	2	Hardware: Crank Extension Mounting Bolt
-	0017-00104-0469	8	Hardware: Flat Washer 16MM OD
-	0017-00101-1836	4	Hardware: Screw 10 MM
-	0017-00104-0479	2	Hardware: Flat Washer 25.4MM OD
-	OK62-01015-0000	1	Inside Pedal Cover Right
-	OK62-01065-0000	2	Shaft Collar
-	OK47-01104-0000	4	Hardware: Thrust Washer
-	0017-00100-0107	2	Hardware: E-Ring 1"
-	AK62-00196-0001	2	Roller with Bearing
-	AK62-00197-0000	2	Roller Extrusion
-	GK62-00002-0001	2	Pedal/Rocker Shaft and Bearings
-	GK62-00002-0071	6	Control Link Kit
-	0017-00101-1789	8	Hardware: Mounting Screws
-	OK62-01005-0000	1	Left Pedal
-	OK62-01006-0000	1	Right Pedal
-	OK62-01016-0000	1	Inside Pedal Cover Left
-	OK62-01208-0000	2	Anti-Lift Track
-	0017-00101-1796	10	Hardware: Mounting Screw 19 MM

<b>Ref #</b>	<b>Part Number</b>	<b>Qty</b>	<b>Description</b>
-	0017-00104-0474	2	Hardware: Washer
-	0K47-01105-0000	2	Hardware: Hardened Thrust Washer
-	0K62-01191-0000	2	Anti-Lift Roller

## PCB, Battery, Reed Switch and Bracket



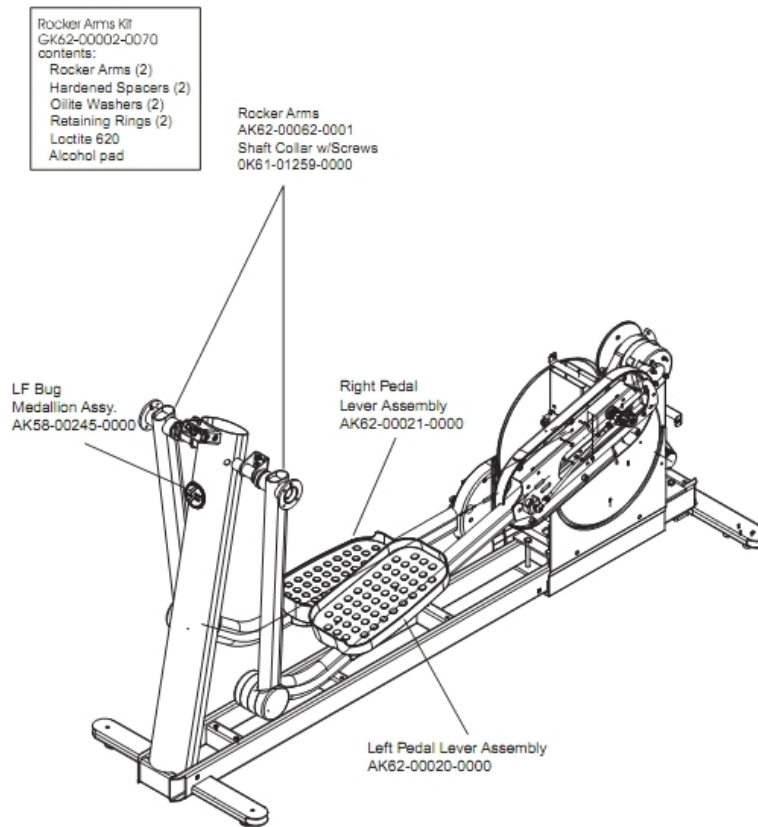
Ref #	Part Number	Qty	Description
-	0K62-01233-0000	1	PCB Reed Switch Battery Bracket
-	0017-00003-0685	1	6V Battery
-	0017-00042-0821	4	Hardware: Plastic Grommet
-	118E-00001-0140	1	Reed Switch SPDT
-	B084-92218-0000	1	PCB Circuit Board
-	0017-00101-1838	4	Hardware: Mounting Screw 19 MM
-	0017-00101-1794	2	Hardware: Screw 10MM
-	0017-00101-1797	2	Hardware: Mounting Screw 16 MM

## References

---

Ref #	Part Number	Qty	Description
-	0017-00021-2846	1	F-Type Panel Connector
-	0017-00008-0205	1	5 oz Bottle - Arctic Silver
-	AK62-00210-0000	1	Power-Cable with Bracket Assembly
-	GK62-00002-0028	1	Crankshaft Kit with Bearing
-	GK62-00002-0018	1	Plug in Option 120/60
-	0017-00042-0754	2	Hardware: Grommet
-	AK62-00152-0001	1	Hardware Bag
-	0017-00008-0204	1	Paint Spray Can - Arctic Silver
-	AK32-00078-0001	1	Power Extension Cable: 120"
-	SK40-00045-0002	1	Chest Strap - Small
-	AK32-00020-0002	1	Coax Cable: 120"
-	0K62-01179-0001	1	Bracket: Access Panel; Plug-in
-	0017-00008-0206	1	.33oz Pen - Arctic Silver

## Rocker Arms and Pedal Levers



Ref #	Part Number	Qty	Description
-	OK61-01259-0000	2	Shaft Split Collar
-	AK58-00245-0000	1	Bug Medallion
-	GK62-00002-0070	3	Rocker Arm Kit
-	AK62-00236-0000	1	Right Pedal Lever Assembly
-	AK62-00235-0000	1	Left Pedal Lever Assembly

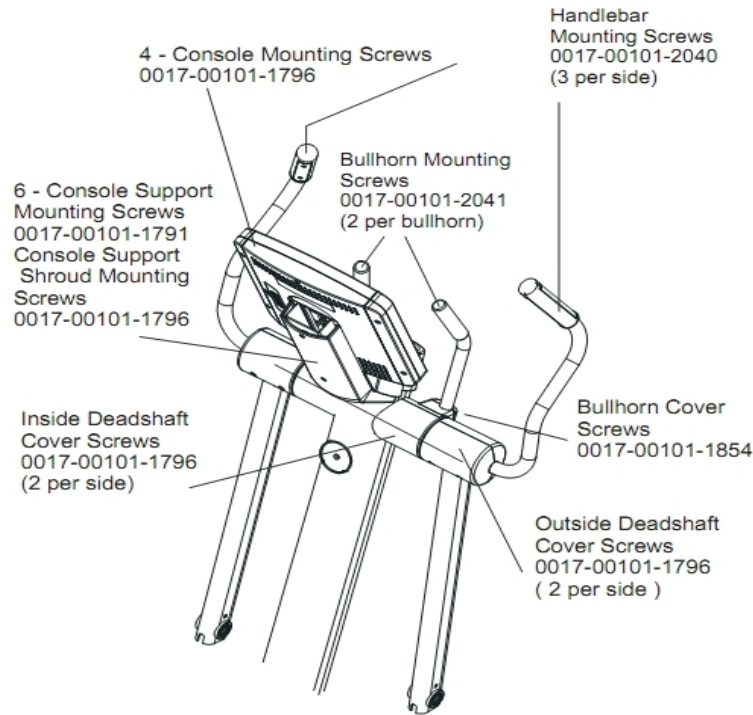
## Unlabeled Parts

---

Ref #	Part Number	Qty	Description
-	0K62-01026-0000	1	Battery Door
-	0K62-01010-0000	1	Right Inside Deadshaft Cover
-	AK62-00235-0000	1	Left Pedal Lever Assembly
-	AK62-00210-0000	1	Power-Cable with Bracket Assembly
-	AK62-00142-0000	1	Console Case with Decal
-	AK62-00123-0000	1	Console Support
-	AK62-00087-0000	1	Handlebar: Left
-	A084-92219-A020	1	PCB Assembly
-	0K39-01044-0000	1	Tape
-	0K62-01009-0000	1	Front Inside Deadshaft Cover
-	0K62-01012-0000	1	Front Outside Deadshaft Cover
-	0K62-01199-0000	1	Bullhorn Gasket
-	AK32-00147-0000	1	Cable Headphone Assembly
-	AK62-00152-0001	1	Hardware Bag
-	0K62-01034-0001	1	Bug Adaptor
-	AK32-00078-0001	1	Power Extension Cable: 120"
-	AK32-00133-0000	1	Headphone Jack Assembly
-	AK62-00315-0001	1	Console - English
-	0K62-01007-0001	1	Bullhorn Cover Right
-	AK32-00020-0002	1	Coax Cable: 120"
-	GK62-00002-0070	2	Rocker Arm Kit

Ref #	Part Number	Qty	Description
-	AK58-00245-0000	1	Bug Medallion
-	0K61-01259-0000	2	Shaft Split Collar
-	0017-00100-0178	1	Hardware: Retaining Ring 1.25"
-	GK62-00002-0030	1	Kit: Serv; Console; Mfg; with FM; NTSC; Spanish
-	AK62-00057-0001	1	Right Bullhorn
-	AK62-00054-0001	1	Left Bullhorn
-	0017-00101-1280	4	Hardware: Pan Screw
-	0017-00101-1854	2	Hardware: Bullhorn Cover Screw 44MM
-	0K62-01008-0001	1	Bullhorn Cover Left
-	0K62-01011-0000	1	Left Inside Deadshaft Cover
-	0K62-01136-0000	1	Grip
-	AK62-00236-0000	1	Right Pedal Lever Assembly
-	GK62-00002-0071	1	Control Link Kit
-	M051-00K63-A102	1	Instructions: Product Feature Notice
-	0017-00042-0754	1	Hardware: Grommet
-	0017-00101-1650	6	Hardware: Phillips Pan Screw 0.375"
-	0K62-01023-0001	1	Console Support Shroud
-	AK62-00053-0001	1	Right Bullhorn
-	AK62-00058-0001	1	Left Bullhorn
-	AK62-00086-0000	1	Handlebar: Right
-	0017-00101-1242	8	Hardware: Phillips Pan Screw 0.75"
-	0017-00101-1791	1	Hardware: TORX Screw 19 MM
-	0017-00101-1846	1	Hardware: Phillips Pan Screw 10 MM
-	0017-00104-0418	1	Hardware: Flat Washer 1.75" OD
-	0K62-01022-0202	1	Accessory Tray
-	0K62-01013-0000	1	Rear Outside Deadshaft Cover
-	0K62-01030-0001	1	Console Support Cap

## Upper Frame Hardware



Items Not Shown:

Accessory Tray	0K62-01022-0001 (Stealth Gray)
Mounting Screws (2)	0017-00101-1846

Ref #	Part Number	Qty	Description
-	0017-00101-1791	6	Hardware: TORX Screw 19 MM
-	0017-00101-1846	4	Hardware: Phillips Pan Screw 10 MM
-	0017-00101-2041	4	Hardware: Bullhorn Mounting Screw
-	0K62-01022-0001	1	Accessory Tray
-	0017-00101-2040	6	Hardware: Handlebar Mounting Screw
-	0017-00101-1854	2	Hardware: Bullhorn Cover Screw 44MM
-	0017-00101-1796	13	Hardware: Mounting Screw 19 MM

