

95Xi Cross-Trainer - Prewired Entertainment Controls - Heart Rate

95XWEZ-0100-04

Parts Manual

1/5/2019 11:37:48 AM





Table of Contents

Bearing Insert Assembly.....	3
Cables.....	4
Console and Related Components.....	5
Console Support and Deadshaft Covers.....	6
Crank Arm Pulley Assembly.....	7
Crank Cover and Lower Caps.....	8
Drive Module.....	9
Drive Module Hardware.....	10
Handlebars and Bullhorns.....	11
Lower Frame Shrouds and Hardware.....	12
Pedal Lever Assembly Components.....	13
PCB, Battery, Reed Switch and Bracket.....	15
References.....	16
Rocker Arms and Pedal Levers.....	17
Upper Frame Hardware.....	18

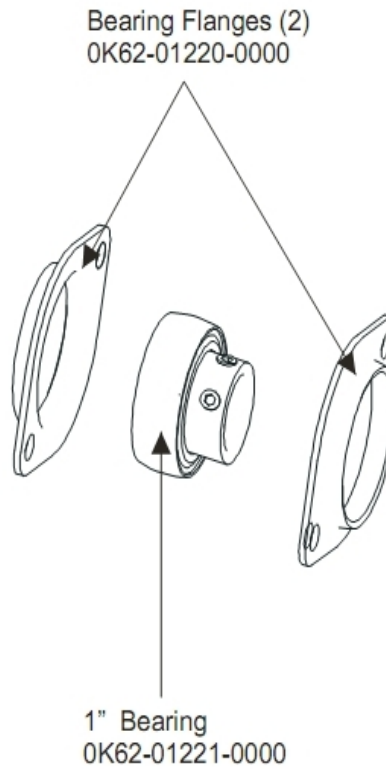
Bearing Insert Assembly

Service Kit- GK62-00002-0044

- Includes:
 1 - crankshaft
 2 - bearings
 2 - sets of bearing flanges
 4 - weldnuts and flat washers
 4 - bolts

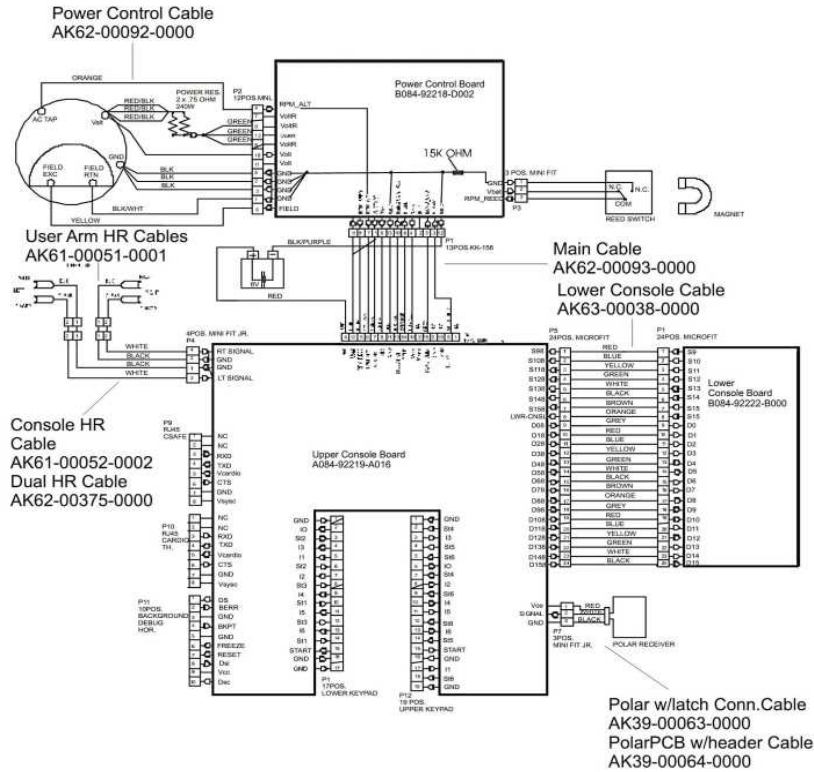
Service Kit- GK62-00002-0045

- Includes:
 1 - intermediate shaft
 2 - bearings
 2 - sets of bearing flanges
 4 - weldnuts and flat washers
 4 - bolts



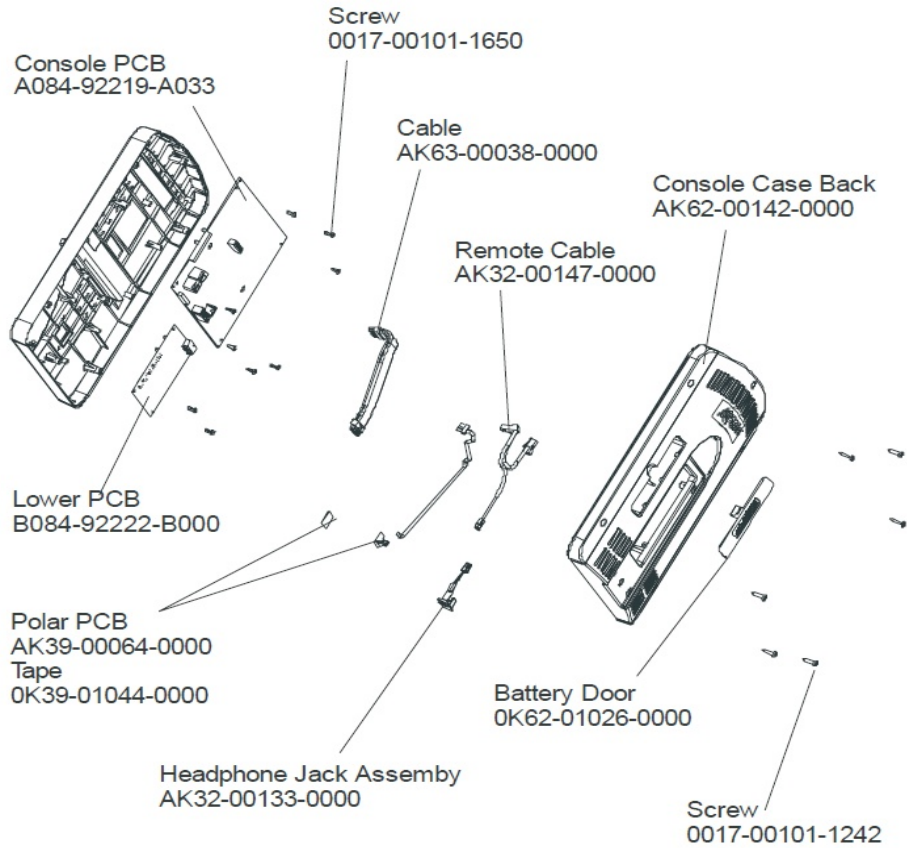
Ref #	Part Number	Qty	Description
-	GK62-00002-0044	1	Crankshaft Bearing Kit
-	0K62-01221-0000	1	1" Bearing
-	GK62-00002-0045	1	Intermediate Shaft Bearing Kit
-	0K62-01220-0000	2	Bearing Flange

Cables



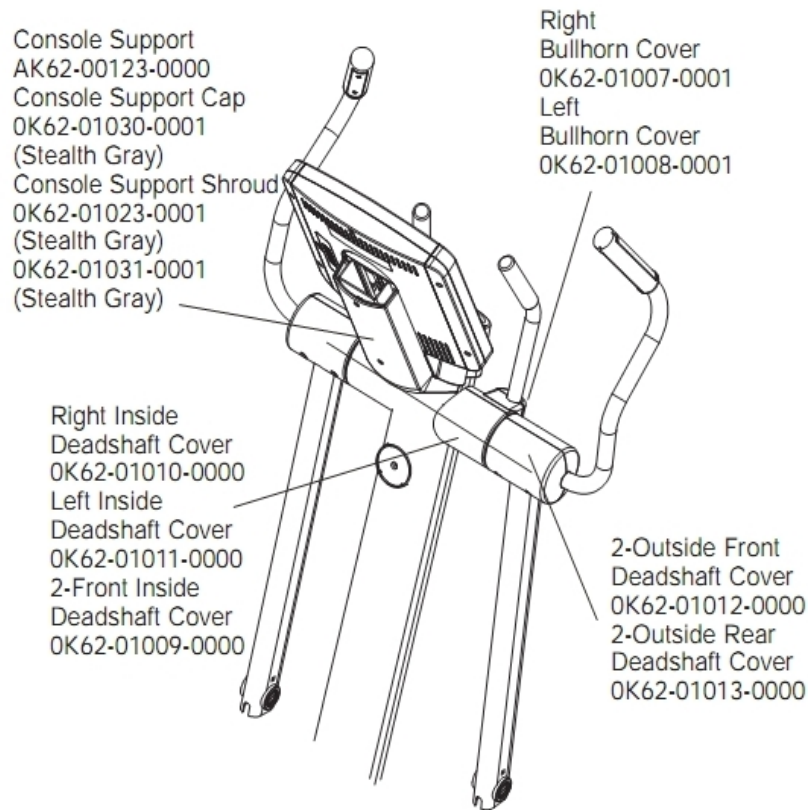
Ref #	Part Number	Qty	Description
-	AK39-00063-0000	1	Polar Cable
-	B084-92222-B000	1	Console Board - Lower
-	AK63-00038-0000	1	Lower Console Cable
-	AK61-00051-0001	1	Lifepulse: User-Arm
-	A084-92219-A016	1	Console Board - Upper
-	B084-92218-0000	1	PCB Circuit Board
-	AK62-00093-0000	1	Main Cable
-	AK62-00375-0000	1	Dual HR Cable
-	AK61-00052-0002	1	Lifepulse Sensor Cable
-	118E-00001-0259	1	Wireless Receiver Module, Non-Coded
-	AK62-00092-0000	1	Power Control Cable

Console and Related Components



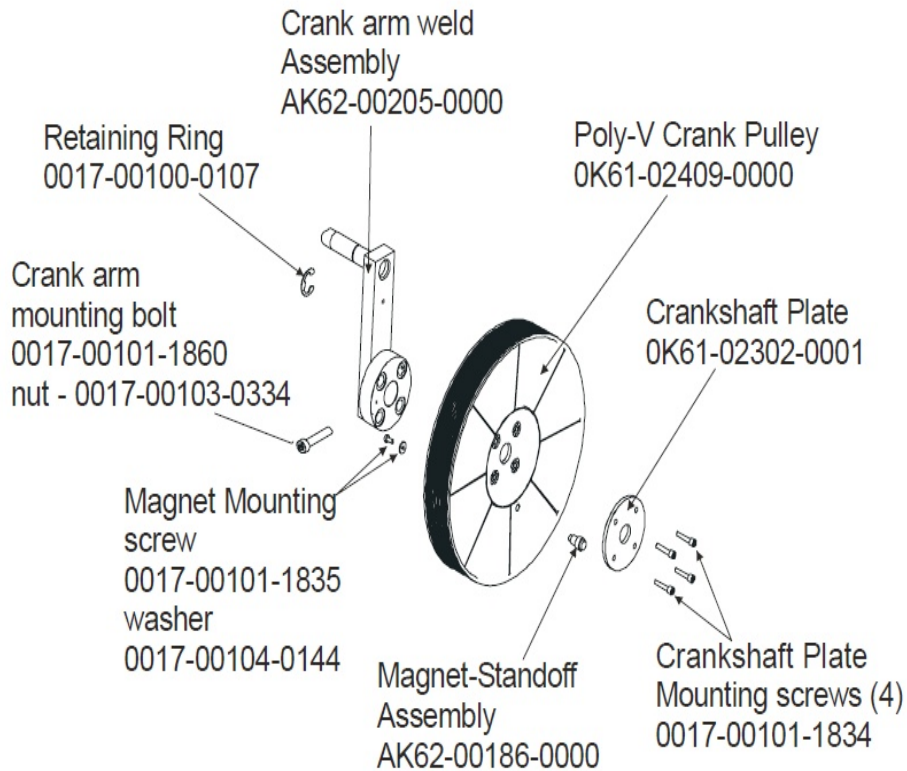
Ref #	Part Number	Qty	Description
-	AK32-00133-0000	1	Headphone Jack Assembly
-	AK62-00315-0001	1	Console - English
-	0K39-01044-0000	1	Tape
-	AK32-00147-0000	1	Cable Headphone Assembly
-	0017-00101-1242	6	Hardware: Phillips Pan Screw 0.75"
-	A084-92219-A033	1	Console PCB
-	0017-00101-1650	2	Hardware: Phillips Pan Screw 0.375"
-	AK63-00038-0000	1	Lower Console Cable
-	AK62-00142-0000	1	Console Case with Decal
-	0K62-01026-0000	1	Battery Door
-	118E-00001-0259	1	Wireless Receiver Module, Non-Coded
-	B084-92222-B000	1	Console Board - Lower

Console Support and Deadshaft Covers



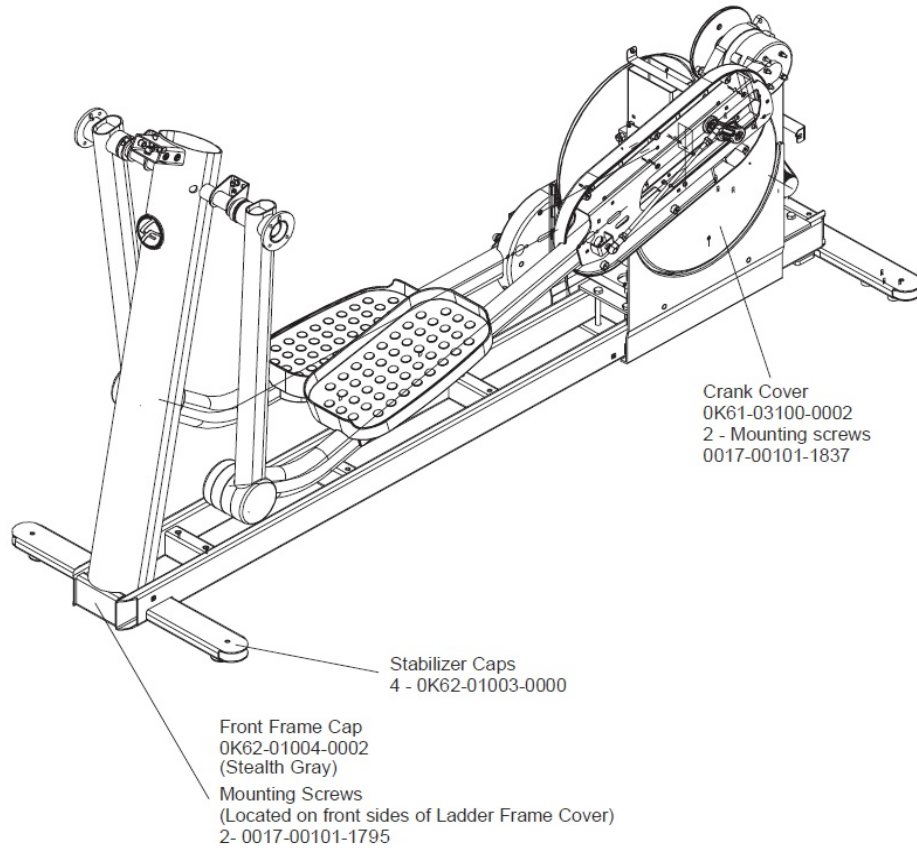
Ref #	Part Number	Qty	Description
-	OK62-01012-0000	2	Front Outside Deadshaft Cover
-	OK62-01009-0000	2	Front Inside Deadshaft Cover
-	OK62-01010-0000	1	Right Inside Deadshaft Cover
-	AK62-00123-0000	1	Console Support
-	OK62-01030-0001	1	Console Support Cap
-	OK62-01013-0000	2	Rear Outside Deadshaft Cover
-	OK62-01023-0001	1	Console Support Shroud
-	OK62-01031-0001	1	Cap
-	OK62-01011-0000	1	Left Inside Deadshaft Cover
-	OK62-01008-0001	1	Bullhorn Cover Left
-	OK62-01007-0001	1	Bullhorn Cover Right

Crank Arm Pulley Assembly



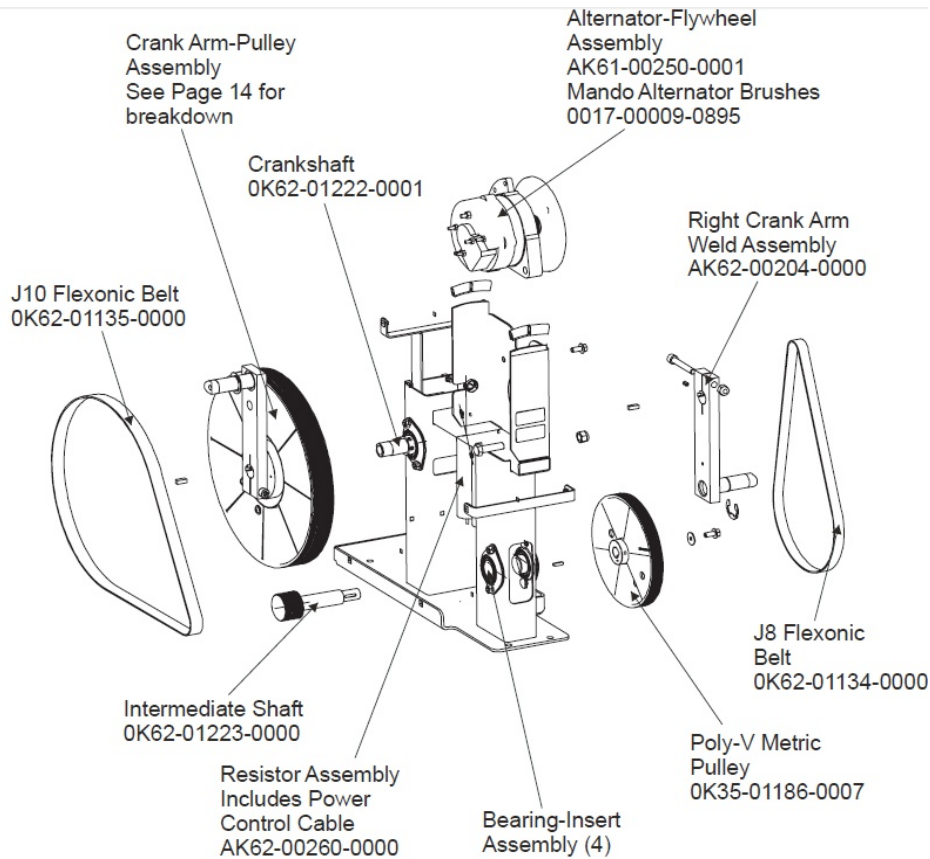
Ref #	Part Number	Qty	Description
-	0017-00101-1835	1	Hardware: Screw 10MM
-	0017-00101-1834	4	Hardware: Screw 24MM
-	AK62-00205-0000	1	Crankarm
-	OK61-02302-0001	1	Crankshaft Plate
-	0017-00101-1860	1	Hardware: Crankarm Bolt 65MM
-	0017-00100-0107	1	Hardware: E-Ring 1"
-	0017-00104-0144	1	Hardware: Washer 0.625" OD
-	OK61-02409-0000	1	Poly-V Crank Pulley
-	AK62-00186-0000	1	Magnet-Standoff Assembly
-	0017-00103-0334	1	Hardware: Nut 10 MM

Crank Cover and Lower Caps



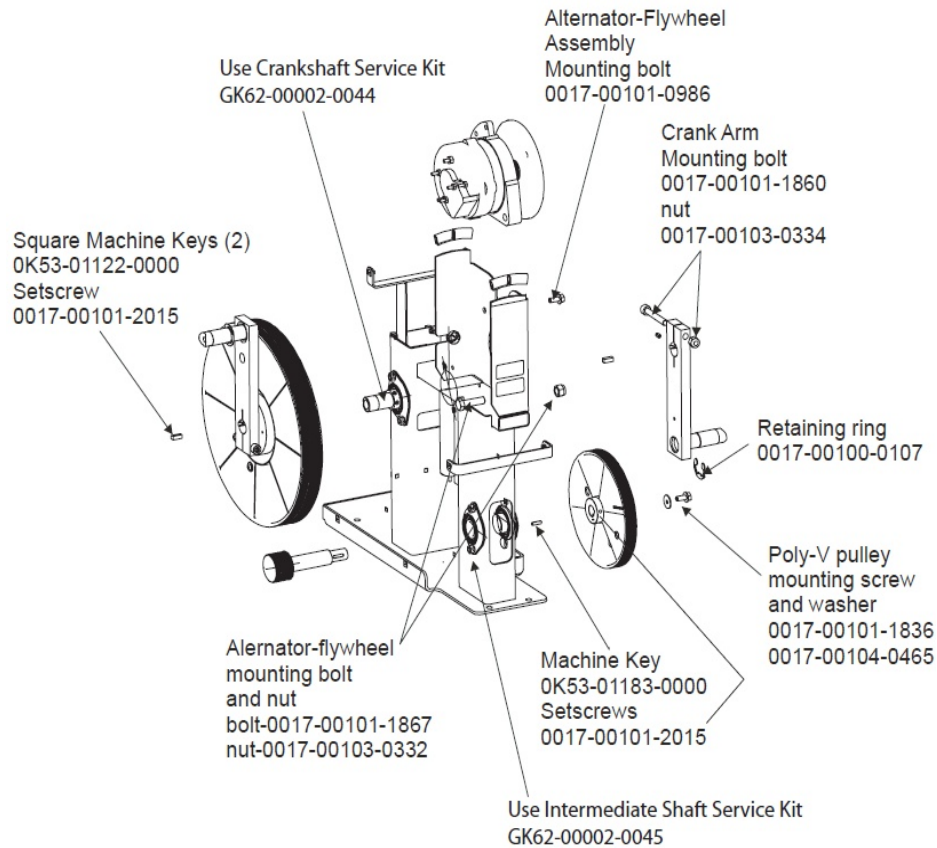
Ref #	Part Number	Qty	Description
-	0K61-03100-0002	1	Crank Cover
-	0017-00101-1795	2	Hardware: Mounting Screw
-	0K68-01130-0200	4	CAP; STABILIZER; SHADOW GREY
-	0K62-01004-0002	2	Front frame Cap
-	0017-00101-1837	2	Hardware: Screw 18MM

Drive Module



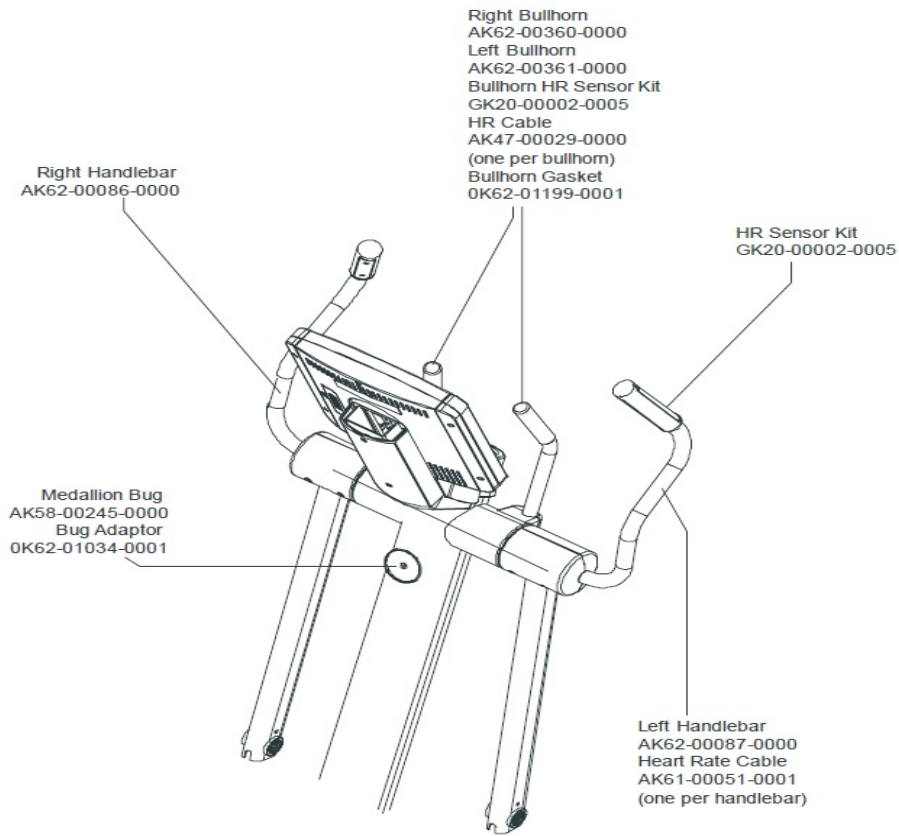
Ref #	Part Number	Qty	Description
-	OK62-01134-0000	1	Flexonic Belt
-	OK62-01135-0000	1	Drive Belt
-	OK62-01222-0001	1	Crankshaft
-	0017-00009-0895	1	Alternator Brush Kit
-	AK62-00204-0000	1	Right Crankarm
-	OK35-01186-0007	1	Poly-V Pulley
-	OK62-01223-0000	1	Intermediate Shaft
-	AK62-00260-0000	1	Resistor Assembly
-	AK61-00250-0001	1	Alternator w/Flywheel

Drive Module Hardware



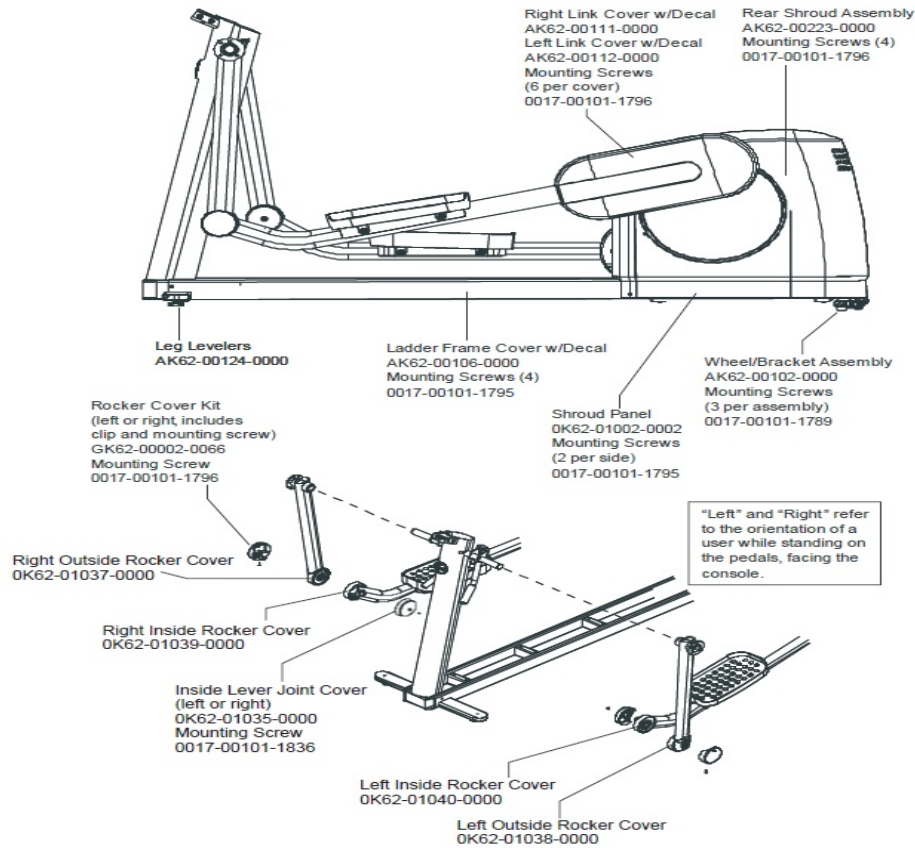
Ref #	Part Number	Qty	Description
-	GK62-00002-0044	1	Crankshaft Bearing Kit
-	0017-00104-0465	1	Hardware: Flat Washer 23MM OD
-	OK53-01122-0000	2	Square Key
-	OK53-01183-0000	1	Hex key
-	0017-00100-0107	1	Hardware: E-Ring 1"
-	0017-00103-0334	1	Hardware: Nut 10 MM
-	0017-00101-0986	1	Hardware: Bolt 0.75"
-	0017-00101-1836	1	Hardware: Screw 10 MM
-	GK62-00002-0045	1	Intermediate Shaft Bearing Kit
-	0017-00101-1867	1	Hardware: Mounting Bolt 45 MM
-	0017-00103-0332	1	Hardware: Mounting Nut
-	0017-00101-1860	1	Hardware: Crankarm Bolt 65MM
-	0017-00101-2015	3	Hardware: Pulley Set Screw 15 MM

Handlebars and Bullhorns



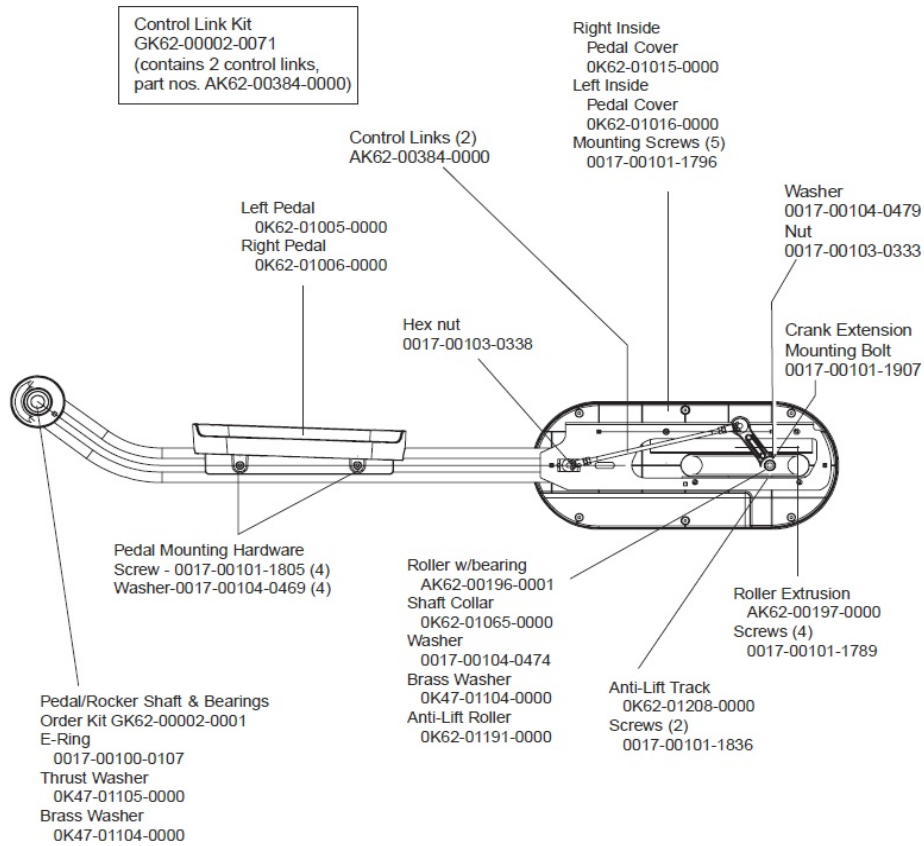
Ref #	Part Number	Qty	Description
-	0K62-01034-0001	1	Bug Adaptor
-	0K62-01199-0001	1	Bullhorn Gasket
-	AK62-00360-0000	1	Right Bullhorn
-	AK58-00245-0000	1	Bug Medallion
-	AK62-00087-0000	1	Handlebar: Left
-	AK62-00361-0000	1	Left Bullhorn
-	AK47-00029-0000	2	Lifepulse Cable
-	AK62-00086-0000	1	Handlebar: Right
-	AK61-00051-0001	2	Lifepulse: User-Arm
-	GK20-00002-0005	2	Heart Rate Electrode Kit

Lower Frame Shrouds and Hardware



Ref #	Part Number	Qty	Description
-	AK62-00111-0000	1	Link Cover with Decal: Right
-	AK62-00124-0000	2	Leg Leveler
-	OK62-01038-0000	1	Left Inside Rocker Cover
-	OK62-01037-0000	1	
-	AK62-00112-0000	1	Link Cover with Decal: Left
-	GK62-00002-0066	1	Rocker Cover Kit
-	0017-00101-1795	8	Hardware: Mounting Screw
-	0017-00101-1836	1	Hardware: Screw 10 MM
-	AK62-00102-0000	2	Wheel/Bracket Assembly
-	AK62-00223-0000	1	Rear Shroud Assembly
-	OK62-01002-0003	1	Shroud Panel
-	0017-00101-1789	1	Hardware: Mounting Screws
-	OK62-01039-0000	1	Right Inside Lever Joint Cover
-	0017-00101-1796	17	Hardware: Mounting Screw 19 MM
-	OK62-01040-0000	1	Left Inside Lever Joint Cover
-	AK62-00106-0001	1	Ladder Frame Cover with Decal
-	OK62-01035-0000	1	Inside Lever Joint Cover

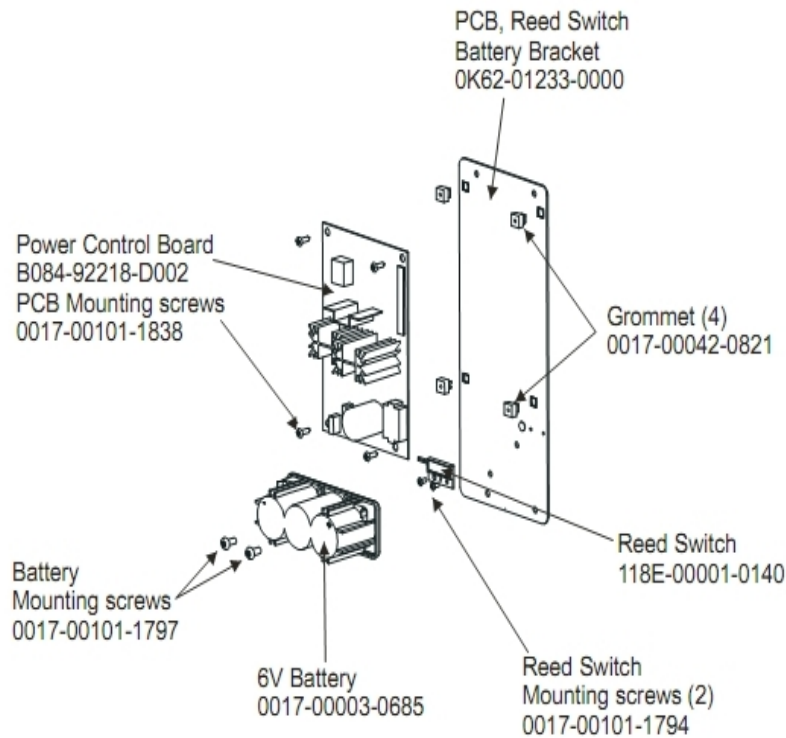
Pedal Lever Assembly Components



Ref #	Part Number	Qty	Description
-	0017-00103-0333	2	Hardware: Hex Nut
-	0017-00103-0338	2	Hardware: Hex Nut 8 MM
-	0017-00101-1805	8	Hardware: TORX Screw 25 MM
-	0017-00101-1907	2	Hardware: Crank Extension Mounting Bolt
-	0017-00104-0469	8	Hardware: Flat Washer 16MM OD
-	0017-00101-1836	4	Hardware: Screw 10 MM
-	0017-00104-0479	2	Hardware: Flat Washer 25.4MM OD
-	OK62-01015-0000	1	Inside Pedal Cover Right
-	OK62-01065-0000	2	Shaft Collar
-	OK47-01104-0000	4	Hardware: Thrust Washer
-	0017-00100-0107	2	Hardware: E-Ring 1"
-	AK62-00196-0001	2	Roller with Bearing
-	AK62-00197-0000	2	Roller Extrusion
-	GK62-00002-0001	2	Pedal/Rocker Shaft and Bearings
-	GK62-00002-0071	6	Control Link Kit
-	OK62-01005-0000	1	Left Pedal
-	OK62-01006-0000	1	Right Pedal
-	OK62-01016-0000	1	Inside Pedal Cover Left
-	OK62-01208-0000	2	Anti-Lift Track
-	0017-00101-1789	8	Hardware: Mounting Screws
-	0017-00104-0474	2	Hardware: Washer

Ref #	Part Number	Qty	Description
-	0K47-01105-0000	2	Hardware: Hardened Thrust Washer
-	0K62-01191-0000	2	Anti-Lift Roller
-	0017-00101-1796	10	Hardware: Mounting Screw 19 MM

PCB, Battery, Reed Switch and Bracket

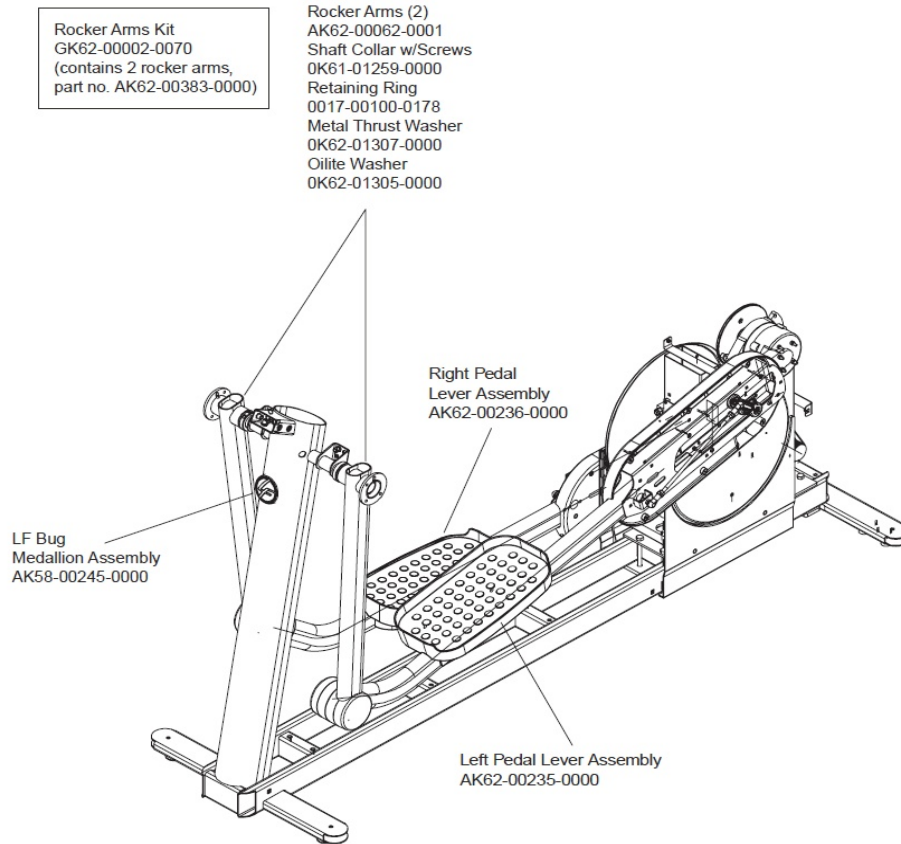


Ref #	Part Number	Qty	Description
-	0K62-01233-0000	1	PCB Reed Switch Battery Bracket
-	0017-00003-0685	1	6V Battery
-	0017-00042-0821	4	Hardware: Plastic Grommet
-	118E-00001-0140	1	Reed Switch SPDT
-	B084-92218-0000	1	PCB Circuit Board
-	0017-00101-1838	4	Hardware: Mounting Screw 19 MM
-	0017-00101-1794	2	Hardware: Screw 10MM
-	0017-00101-1797	2	Hardware: Mounting Screw 16 MM

References

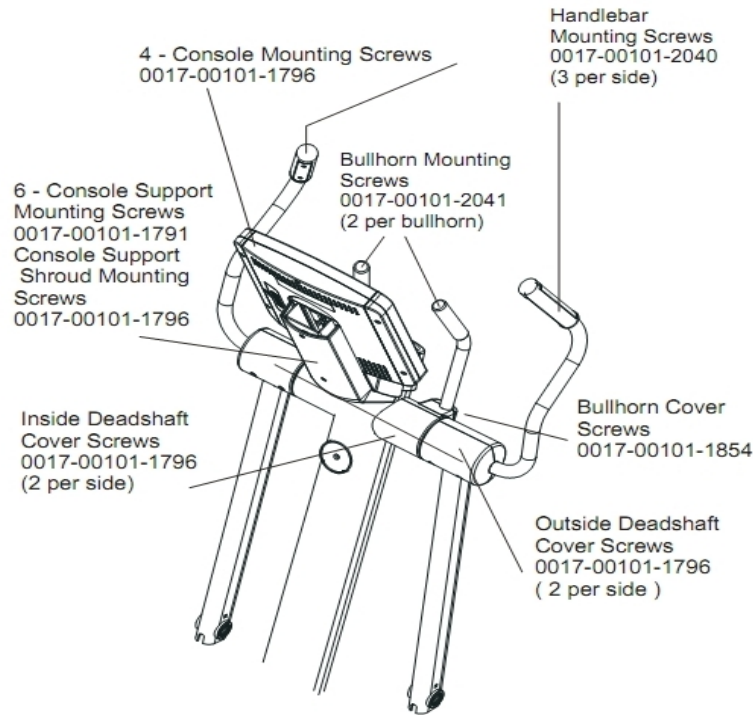
Ref #	Part Number	Qty	Description
-	0017-00008-0206	1	.33oz Pen - Arctic Silver
-	0017-00042-0754	2	Hardware: Grommet
-	GK62-00002-0018	1	Plug in Option 120/60
-	0K62-01179-0001	1	Bracket: Access Panel; Plug-in
-	AK32-00078-0001	1	Power Extension Cable: 120"
-	0017-00008-0204	1	Paint Spray Can - Arctic Silver
-	0017-00021-2846	1	F-Type Panel Connector
-	0017-00008-0205	1	5 oz Bottle - Arctic Silver
-	AK62-00152-0001	1	Hardware Bag
-	AK62-00210-0000	1	Power-Cable with Bracket Assembly
-	AK32-00020-0002	1	Coax Cable: 120"

Rocker Arms and Pedal Levers



Ref #	Part Number	Qty	Description
-	0017-00100-0178	1	Hardware: Retaining Ring 1.25"
-	OK61-01259-0000	2	Shaft Split Collar
-	AK58-00245-0000	1	Bug Medallion
-	GK62-00002-0070	3	Rocker Arm Kit
-	AK62-00236-0000	1	Right Pedal Lever Assembly
-	AK62-00235-0000	1	Left Pedal Lever Assembly
-	OK62-01307-0000	1	Hardware: Spacer
-	OK62-01305-0000	1	Oilite Bearing

Upper Frame Hardware



Items Not Shown:

Accessory Tray	0K62-01022-0001 (Stealth Gray)
Mounting Screws (2)	0017-00101-1846

Ref #	Part Number	Qty	Description
-	0017-00101-2041	4	Hardware: Bullhorn Mounting Screw
-	0K62-01022-0001	1	Accessory Tray
-	0017-00101-1791	6	Hardware: TORX Screw 19 MM
-	0017-00101-1846	4	Hardware: Phillips Pan Screw 10 MM
-	0017-00101-1796	13	Hardware: Mounting Screw 19 MM
-	0017-00101-1854	2	Hardware: Bullhorn Cover Screw 44MM
-	0017-00101-2040	6	Hardware: Handlebar Mounting Screw

