

95Xi Cross-Trainer - Prewired Entertainment Controls - Heart Rate

95XWEZ-0104-04

Parts Manual

1/5/2019 11:39:10 AM



Table of Contents

Bearing Insert Assembly.....	3
Cables.....	4
Console and Related Components.....	5
Console Support and Deadshaft Covers.....	6
Crank Arm Pulley Assembly.....	7
Crank Cover and Lower Caps.....	8
Drive Module.....	9
Drive Module Hardware.....	10
Handlebars and Bullhorns.....	11
Lower Frame Shrouds and Hardware.....	12
Pedal Lever Assembly Components.....	13
PCB, Battery, Reed Switch and Bracket.....	15
References.....	16
Rocker Arms and Pedal Levers.....	17
Upper Frame Hardware.....	18

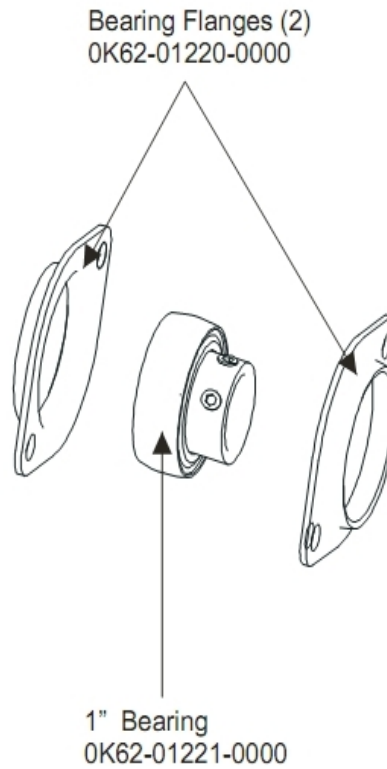
Bearing Insert Assembly

Service Kit- GK62-00002-0044

- Includes:
 1 - crankshaft
 2 - bearings
 2 - sets of bearing flanges
 4 - weldnuts and flat washers
 4 - bolts

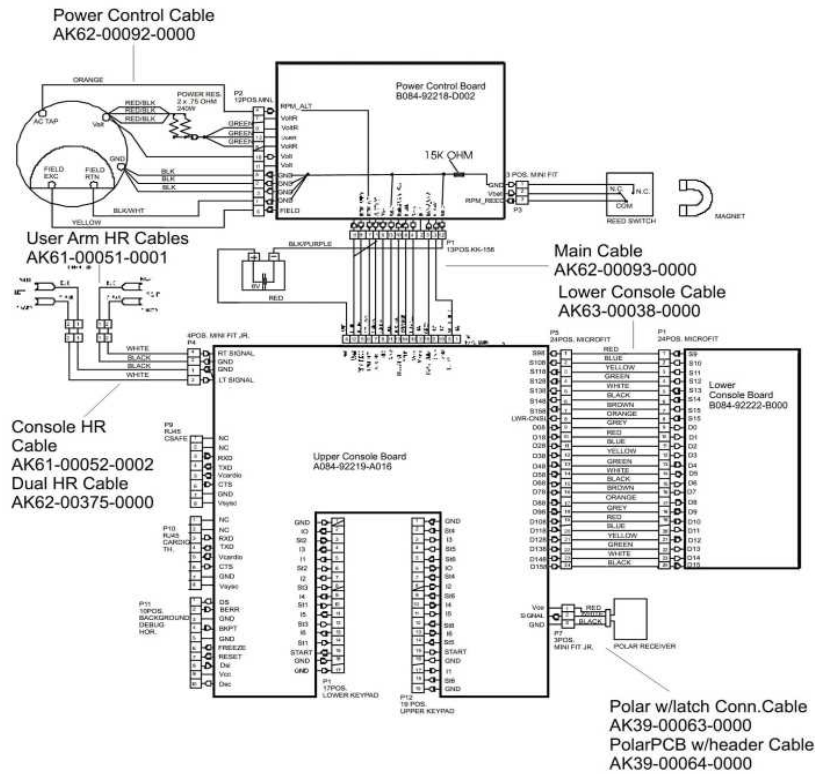
Service Kit- GK62-00002-0045

- Includes:
 1 - intermediate shaft
 2 - bearings
 2 - sets of bearing flanges
 4 - weldnuts and flat washers
 4 - bolts



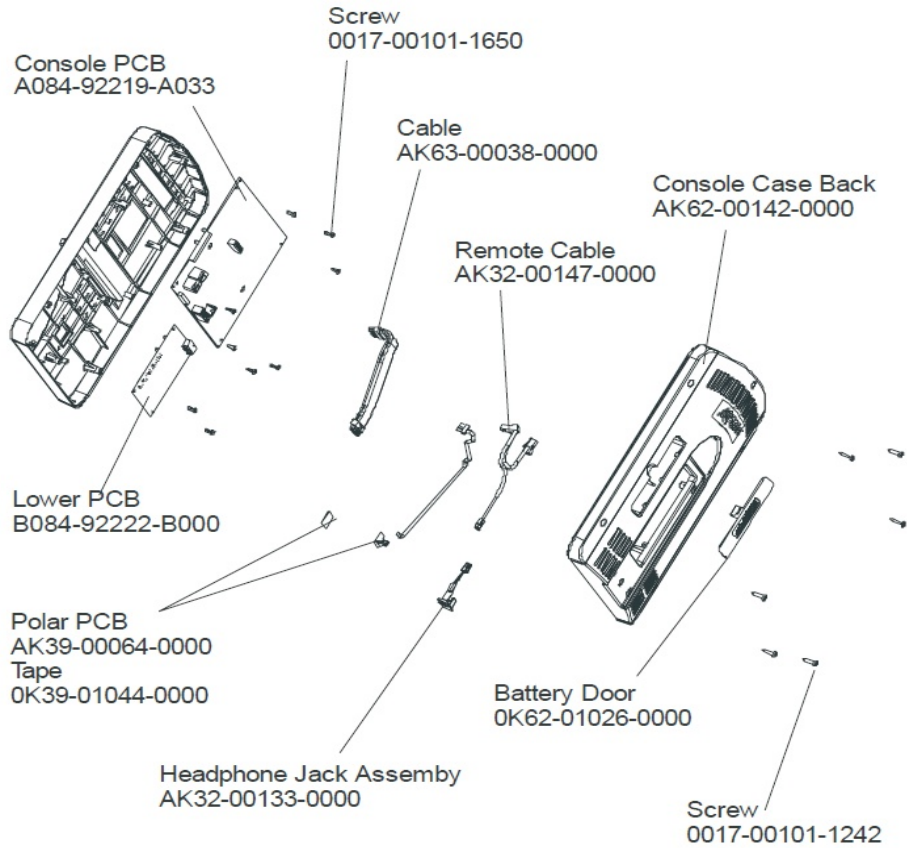
Ref #	Part Number	Qty	Description
-	0K62-01221-0000	1	1" Bearing
-	GK62-00002-0045	1	Intermediate Shaft Bearing Kit
-	0K62-01220-0000	2	Bearing Flange
-	GK62-00002-0044	1	Crankshaft Bearing Kit

Cables



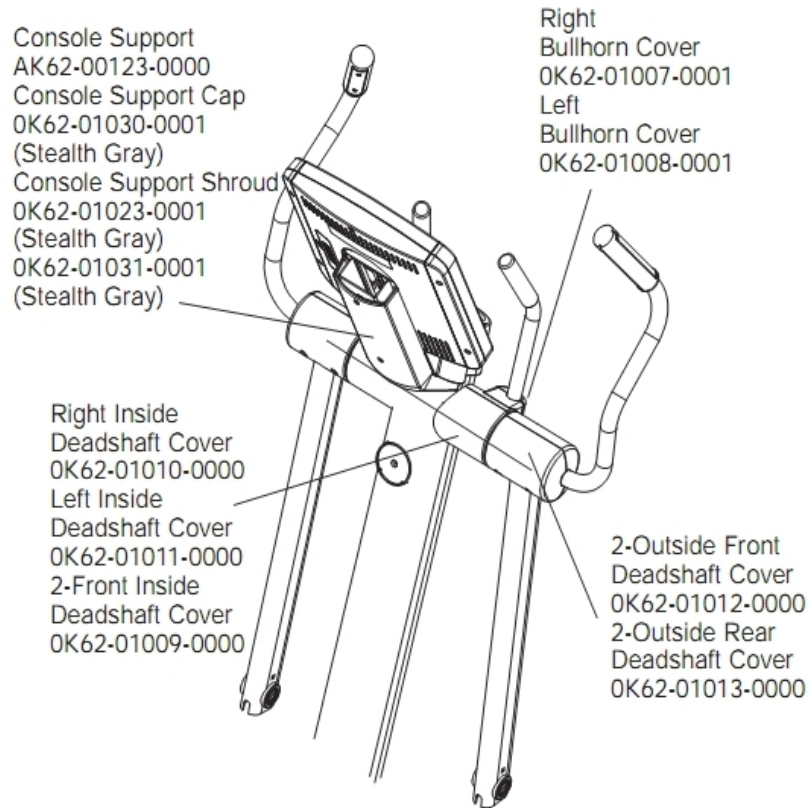
Ref #	Part Number	Qty	Description
-	AK62-00092-0000	1	Power Control Cable
-	AK61-00052-0002	1	Lifepulse Sensor Cable
-	AK62-00093-0000	1	Main Cable
-	118E-00001-0259	1	Wireless Receiver Module, Non-Coded
-	B084-92218-0000	1	PCB Circuit Board
-	B084-92222-B000	1	Console Board - Lower
-	AK63-00038-0000	1	Lower Console Cable
-	A084-92219-A016	1	Console Board - Upper
-	AK61-00051-0001	1	Lifepulse: User-Arm
-	AK39-00063-0000	1	Polar Cable
-	AK62-00375-0000	1	Dual HR Cable

Console and Related Components



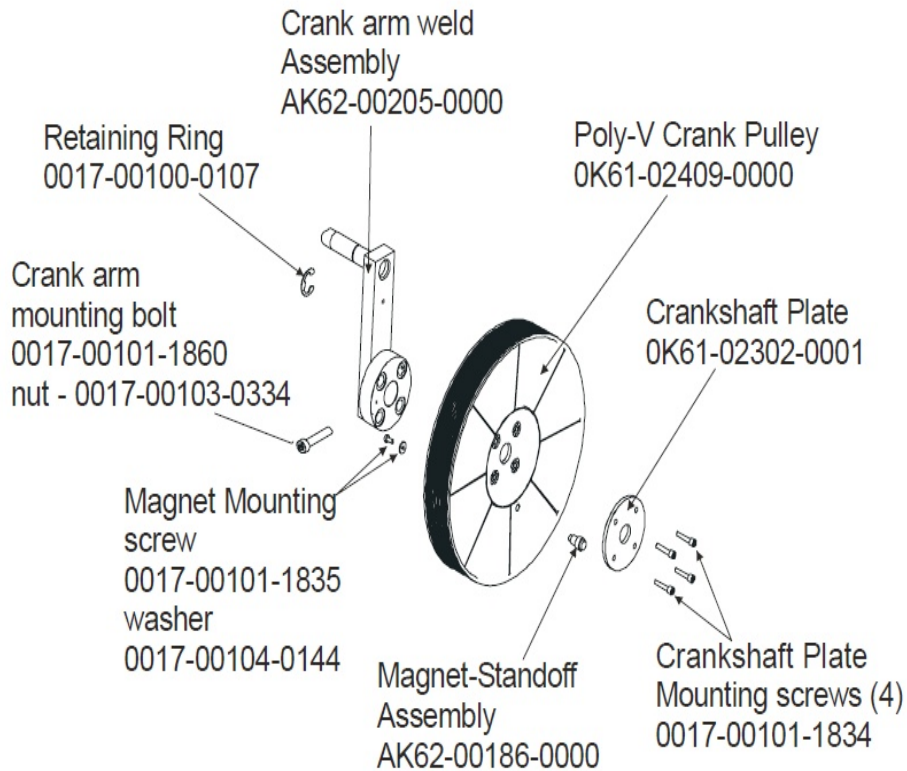
Ref #	Part Number	Qty	Description
-	AK32-00133-0000	1	Headphone Jack Assembly
-	AK63-00038-0000	1	Lower Console Cable
-	0K62-01026-0000	1	Battery Door
-	A084-92219-A033	1	Console PCB
-	0K39-01044-0000	1	Tape
-	AK62-00142-0000	1	Console Case with Decal
-	AK62-00315-0001	1	Console - English
-	AK32-00147-0000	1	Cable Headphone Assembly
-	B084-92222-B000	1	Console Board - Lower
-	0017-00101-1650	2	Hardware: Phillips Pan Screw 0.375"
-	118E-00001-0259	1	Wireless Receiver Module, Non-Coded
-	0017-00101-1242	6	Hardware: Phillips Pan Screw 0.75"

Console Support and Deadshaft Covers



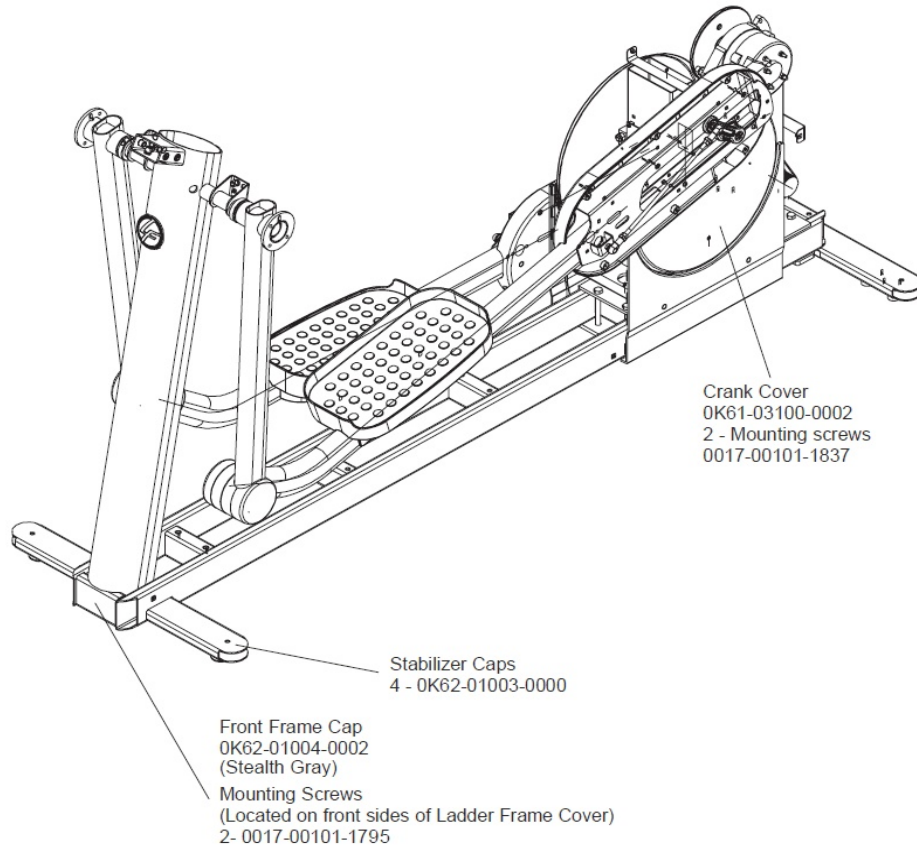
Ref #	Part Number	Qty	Description
-	OK62-01010-0000	1	Right Inside Deadshaft Cover
-	AK62-00123-0000	1	Console Support
-	OK62-01013-0000	2	Rear Outside Deadshaft Cover
-	OK62-01030-0001	1	Console Support Cap
-	OK62-01011-0000	1	Left Inside Deadshaft Cover
-	OK62-01008-0001	1	Bullhorn Cover Left
-	OK62-01012-0000	2	Front Outside Deadshaft Cover
-	OK62-01009-0000	2	Front Inside Deadshaft Cover
-	OK62-01031-0001	1	Cap
-	OK62-01023-0001	1	Console Support Shroud
-	OK62-01007-0001	1	Bullhorn Cover Right

Crank Arm Pulley Assembly



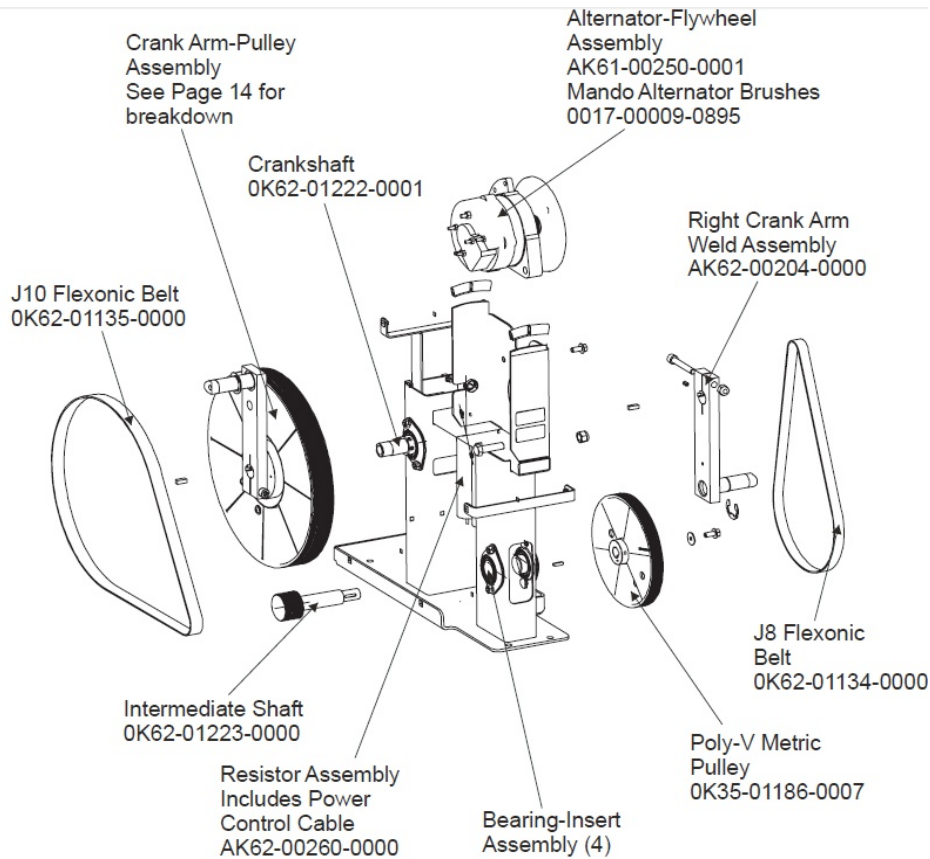
Ref #	Part Number	Qty	Description
-	AK62-00205-0000	1	Crankarm
-	0K61-02302-0001	1	Crankshaft Plate
-	0017-00100-0107	1	Hardware: E-Ring 1"
-	0017-00101-1834	4	Hardware: Screw 24MM
-	0017-00104-0144	1	Hardware: Washer 0.625" OD
-	0017-00103-0334	1	Hardware: Nut 10 MM
-	0017-00101-1860	1	Hardware: Crankarm Bolt 65MM
-	0K61-02409-0000	1	Poly-V Crank Pulley
-	AK62-00186-0000	1	Magnet-Standoff Assembly
-	0017-00101-1835	1	Hardware: Screw 10MM

Crank Cover and Lower Caps



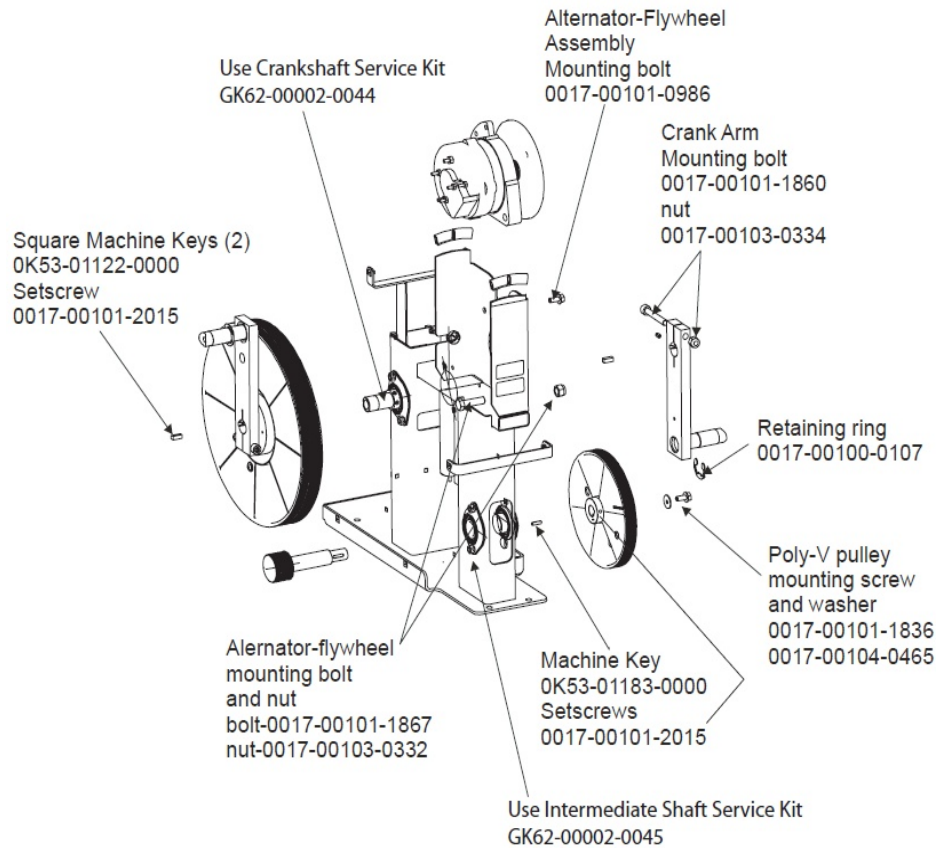
Ref #	Part Number	Qty	Description
-	0K62-01004-0002	2	Front frame Cap
-	0017-00101-1837	2	Hardware: Screw 18MM
-	0K68-01130-0200	4	CAP; STABILIZER; SHADOW GREY
-	0017-00101-1795	2	Hardware: Mounting Screw
-	0K61-03100-0002	1	Crank Cover

Drive Module



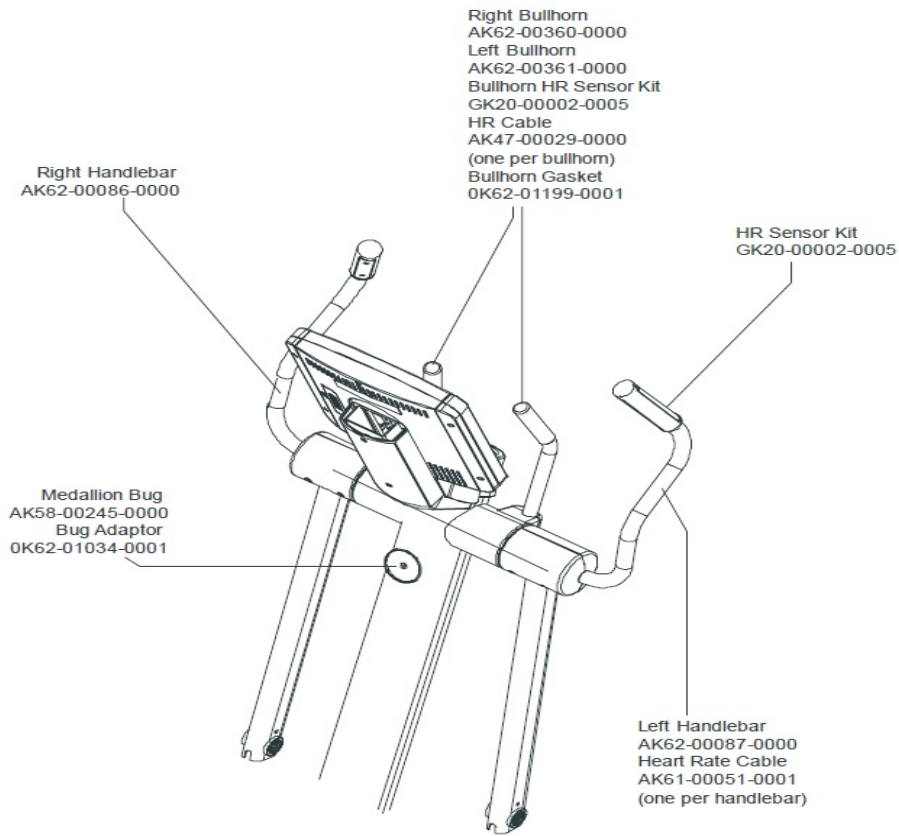
Ref #	Part Number	Qty	Description
-	OK62-01134-0000	1	Flexonic Belt
-	OK62-01223-0000	1	Intermediate Shaft
-	OK35-01186-0007	1	Poly-V Pulley
-	AK61-00250-0001	1	Alternator w/Flywheel
-	AK62-00204-0000	1	Right Crankarm
-	OK62-01222-0001	1	Crankshaft
-	AK62-00260-0000	1	Resistor Assembly
-	OK62-01135-0000	1	Drive Belt
-	0017-00009-0895	1	Alternator Brush Kit

Drive Module Hardware



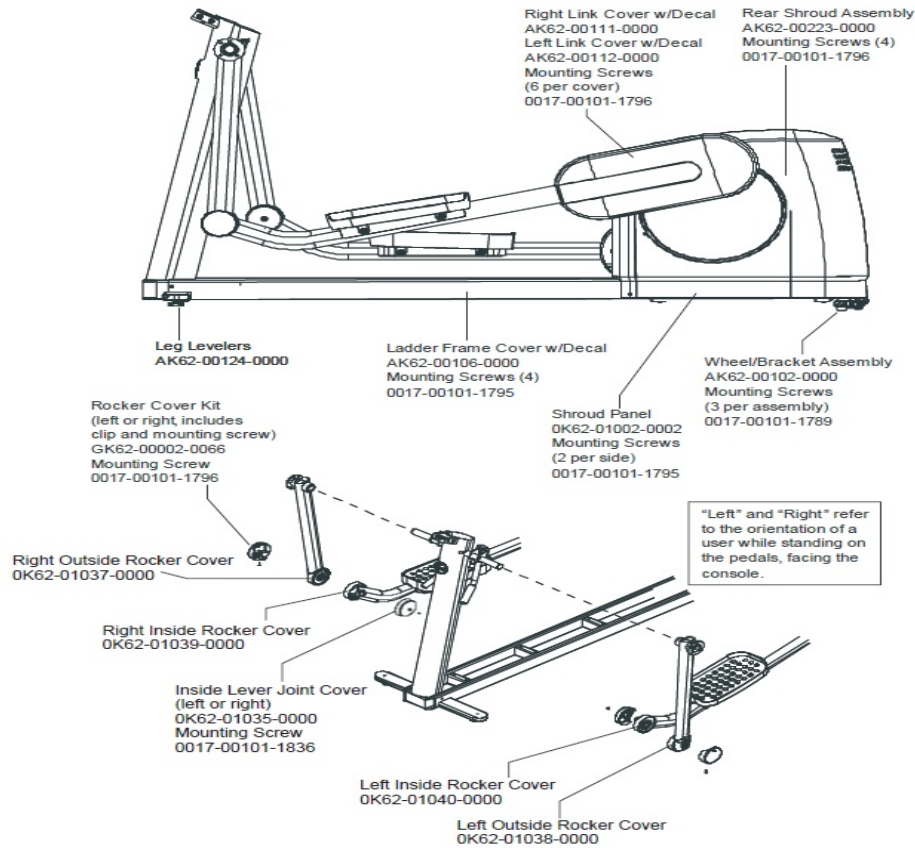
Ref #	Part Number	Qty	Description
-	0017-00101-0986	1	Hardware: Bolt 0.75"
-	0017-00101-1860	1	Hardware: Crankarm Bolt 65MM
-	0017-00103-0332	1	Hardware: Mounting Nut
-	0017-00101-1836	1	Hardware: Screw 10 MM
-	0017-00101-2015	3	Hardware: Pulley Set Screw 15 MM
-	0017-00103-0334	1	Hardware: Nut 10 MM
-	GK62-00002-0044	1	Crankshaft Bearing Kit
-	OK53-01183-0000	1	Hex key
-	0017-00100-0107	1	Hardware: E-Ring 1"
-	OK53-01122-0000	2	Square Key
-	GK62-00002-0045	1	Intermediate Shaft Bearing Kit
-	0017-00101-1867	1	Hardware: Mounting Bolt 45 MM
-	0017-00104-0465	1	Hardware: Flat Washer 23MM OD

Handlebars and Bullhorns



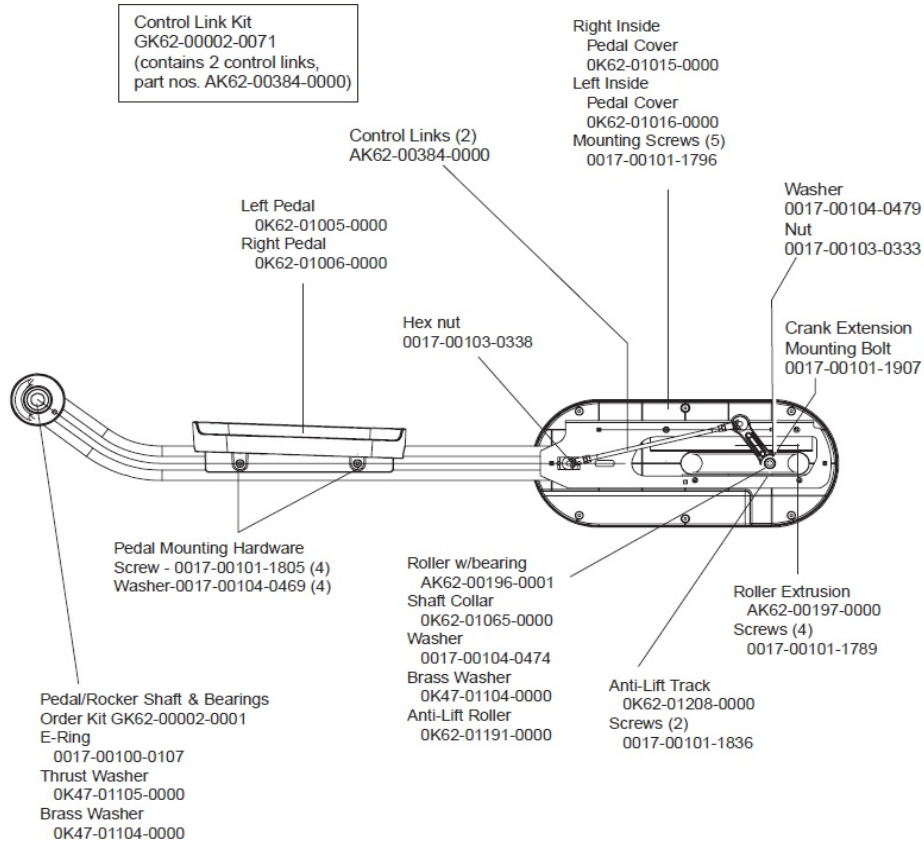
Ref #	Part Number	Qty	Description
-	0K62-01034-0001	1	Bug Adaptor
-	0K62-01199-0001	1	Bullhorn Gasket
-	AK62-00360-0000	1	Right Bullhorn
-	AK58-00245-0000	1	Bug Medallion
-	AK62-00087-0000	1	Handlebar: Left
-	AK47-00029-0000	2	Lifepulse Cable
-	AK62-00086-0000	1	Handlebar: Right
-	AK62-00361-0000	1	Left Bullhorn
-	AK61-00051-0001	2	Lifepulse: User-Arm
-	GK20-00002-0005	2	Heart Rate Electrode Kit

Lower Frame Shrouds and Hardware



Ref #	Part Number	Qty	Description
-	AK62-00111-0000	1	Link Cover with Decal: Right
-	AK62-00124-0000	2	Leg Leveler
-	OK62-01038-0000	1	Left Inside Rocker Cover
-	AK62-00112-0000	1	Link Cover with Decal: Left
-	GK62-00002-0066	1	Rocker Cover Kit
-	OK62-01037-0000	1	
-	0017-00101-1795	8	Hardware: Mounting Screw
-	0017-00101-1836	1	Hardware: Screw 10 MM
-	AK62-00102-0000	2	Wheel/Bracket Assembly
-	OK62-01002-0003	1	Shroud Panel
-	AK62-00223-0000	1	Rear Shroud Assembly
-	0017-00101-1789	1	Hardware: Mounting Screws
-	OK62-01039-0000	1	Right Inside Lever Joint Cover
-	0017-00101-1796	17	Hardware: Mounting Screw 19 MM
-	OK62-01040-0000	1	Left Inside Lever Joint Cover
-	AK62-00106-0001	1	Ladder Frame Cover with Decal
-	OK62-01035-0000	1	Inside Lever Joint Cover

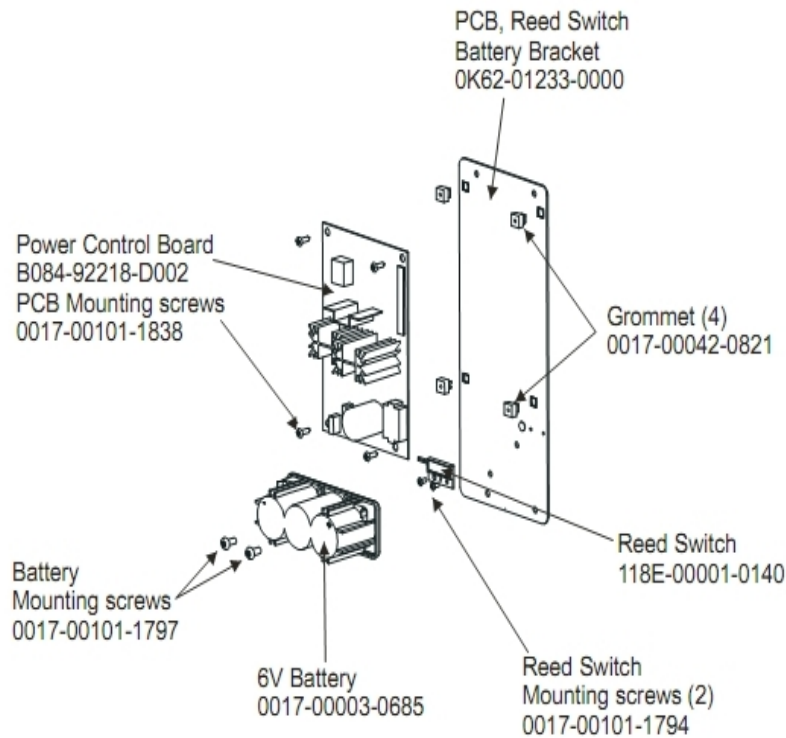
Pedal Lever Assembly Components



Ref #	Part Number	Qty	Description
-	OK62-01065-0000	2	Shaft Collar
-	OK47-01104-0000	4	Hardware: Thrust Washer
-	0017-00100-0107	2	Hardware: E-Ring 1"
-	AK62-00196-0001	2	Roller with Bearing
-	AK62-00197-0000	2	Roller Extrusion
-	GK62-00002-0001	2	Pedal/Rocker Shaft and Bearings
-	GK62-00002-0071	6	Control Link Kit
-	0017-00101-1789	8	Hardware: Mounting Screws
-	OK62-01005-0000	1	Left Pedal
-	OK62-01006-0000	1	Right Pedal
-	OK62-01016-0000	1	Inside Pedal Cover Left
-	OK62-01208-0000	2	Anti-Lift Track
-	0017-00101-1796	10	Hardware: Mounting Screw 19 MM
-	0017-00104-0474	2	Hardware: Washer
-	OK47-01105-0000	2	Hardware: Hardened Thrust Washer
-	OK62-01015-0000	1	Inside Pedal Cover Right
-	0017-00104-0479	2	Hardware: Flat Washer 25.4MM OD
-	0017-00101-1836	4	Hardware: Screw 10 MM
-	0017-00103-0333	2	Hardware: Hex Nut
-	0017-00101-1805	8	Hardware: TORX Screw 25 MM
-	0017-00104-0469	8	Hardware: Flat Washer 16MM OD

Ref #	Part Number	Qty	Description
-	0K62-01191-0000	2	Anti-Lift Roller
-	0017-00103-0338	2	Hardware: Hex Nut 8 MM
-	0017-00101-1907	2	Hardware: Crank Extension Mounting Bolt

PCB, Battery, Reed Switch and Bracket

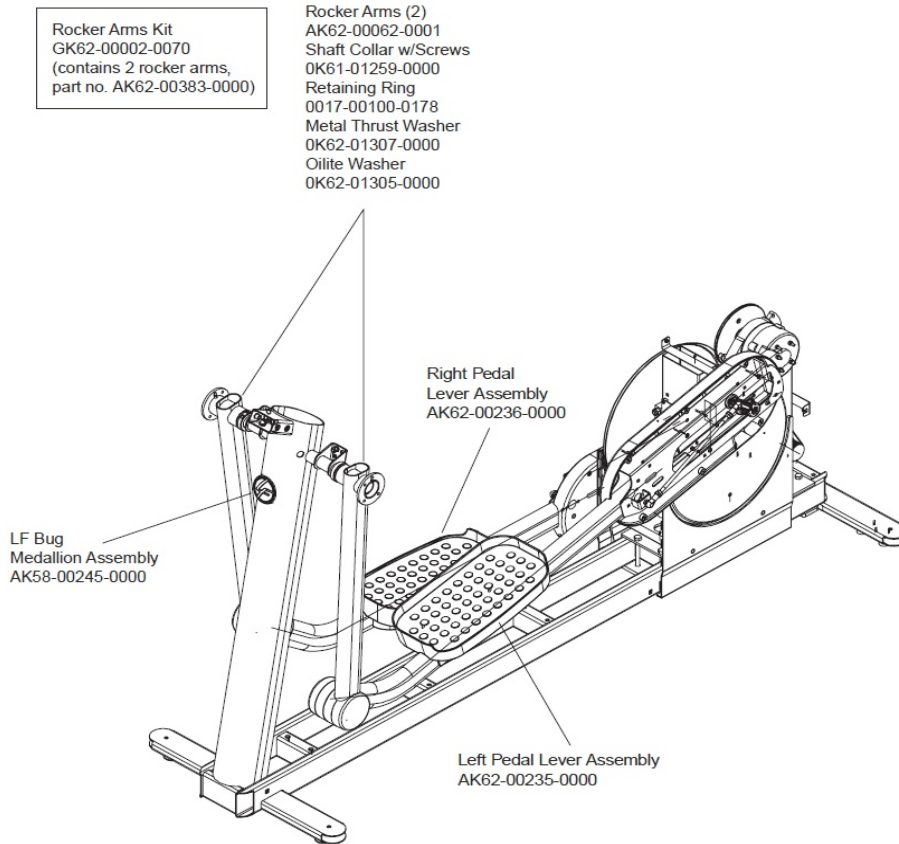


Ref #	Part Number	Qty	Description
-	118E-00001-0140	1	Reed Switch SPDT
-	0017-00101-1794	2	Hardware: Screw 10MM
-	0K62-01233-0000	1	PCB Reed Switch Battery Bracket
-	B084-92218-0000	1	PCB Circuit Board
-	0017-00101-1797	2	Hardware: Mounting Screw 16 MM
-	0017-00042-0821	4	Hardware: Plastic Grommet
-	0017-00101-1838	4	Hardware: Mounting Screw 19 MM
-	0017-00003-0685	1	6V Battery

References

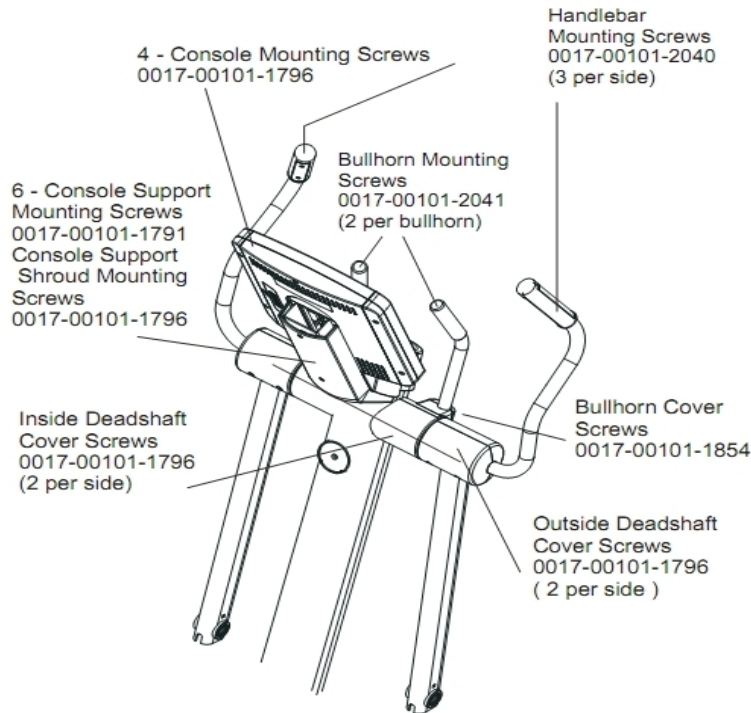
Ref #	Part Number	Qty	Description
-	AK62-00152-0001	1	Hardware Bag
-	0017-00021-2846	1	F-Type Panel Connector
-	AK62-00210-0000	1	Power-Cable with Bracket Assembly
-	GK62-00002-0020	1	Plug in Option 240v AUS
-	0017-00042-0754	2	Hardware: Grommet
-	0017-00008-0206	1	.33oz Pen - Arctic Silver
-	0K62-01179-0001	1	Bracket: Access Panel; Plug-in
-	AK32-00020-0002	1	Coax Cable: 120"
-	AK32-00078-0001	1	Power Extension Cable: 120"
-	0017-00008-0205	1	5 oz Bottle - Arctic Silver
-	0017-00008-0204	1	Paint Spray Can - Arctic Silver

Rocker Arms and Pedal Levers



Ref #	Part Number	Qty	Description
-	OK61-01259-0000	2	Shaft Split Collar
-	AK58-00245-0000	1	Bug Medallion
-	GK62-00002-0070	3	Rocker Arm Kit
-	OK62-01307-0000	1	Hardware: Spacer
-	OK62-01305-0000	1	Oilite Bearing
-	AK62-00236-0000	1	Right Pedal Lever Assembly
-	0017-00100-0178	1	Hardware: Retaining Ring 1.25"
-	AK62-00235-0000	1	Left Pedal Lever Assembly

Upper Frame Hardware



Items Not Shown:

Accessory Tray	0K62-01022-0001 (Stealth Gray)
Mounting Screws (2)	0017-00101-1846

Ref #	Part Number	Qty	Description
-	0017-00101-2041	4	Hardware: Bullhorn Mounting Screw
-	0K62-01022-0001	1	Accessory Tray
-	0017-00101-1854	2	Hardware: Bullhorn Cover Screw 44MM
-	0017-00101-1796	13	Hardware: Mounting Screw 19 MM
-	0017-00101-1791	6	Hardware: TORX Screw 19 MM
-	0017-00101-1846	4	Hardware: Phillips Pan Screw 10 MM
-	0017-00101-2040	6	Hardware: Handlebar Mounting Screw

